



matisse d4 dmx

Category

- Lighting controllers - matisse range

Description

- Multi-function DMX controller with 4 rotary dials

Mechanical

- Housing: UK '2-gang' style panel with 35mm or 47mm (rec. depth) backbox (not included)
- Cover plate: Scolmore 'Click Definity' (not included)
- Overall dimensions: 86 mm (H) x 146 mm (W) x 24 mm (D)
- Mounting screw centres: 120 mm
- Mass: 0.2 kg
- Country of manufacture: UK

Environmental

- Operating temperature: 0°C to 40°C
- Storage temperature: -10°C to +50°C
- Operating relative humidity (max): 80% non-condensing
- IP rating: IP20 indoor use only
- Certification: CE, WEEE, RoHS
- Warranty: 2-year (return to base)

Power & Electrical

- Input voltage: 9-24 VDC
- Input connector: 2-pin screw terminal DC voltage input (1 no.)
- Input power (max): 1W

User interface / LED indication

- Rotary dials (4 no.)
- LED indicator (back): DMX / Programming / Mode change

Artistic Licence



*Product shown with brushed steel cover plate
(not included)*

Control / Data connections

- Input Protocols: DMX512, DMX512 (1990), DMX512-A
- Output Protocols: Same as input
- Input connector - 3-pin screw terminals (1 no.)
- Output connector - 3-pin screw terminals (1 no.)

DMX512 Input / Output

- Output mode: PSU referenced
- Output isolation: n/a
- Output ESD protection: 15 kV
- Electrocution protection: 425 VAC continuous (self-healing)

Configuration

- DIP switches and programming buttons

Ordering information

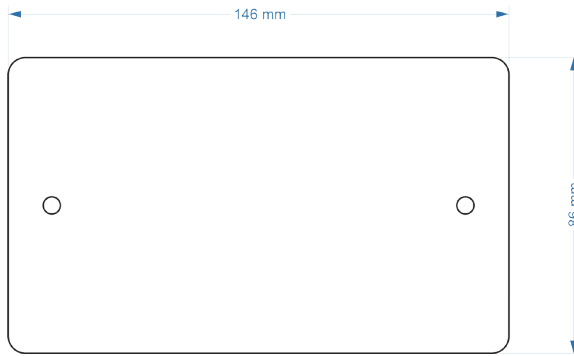
- Product code: matisse d4 dmx

Accessories

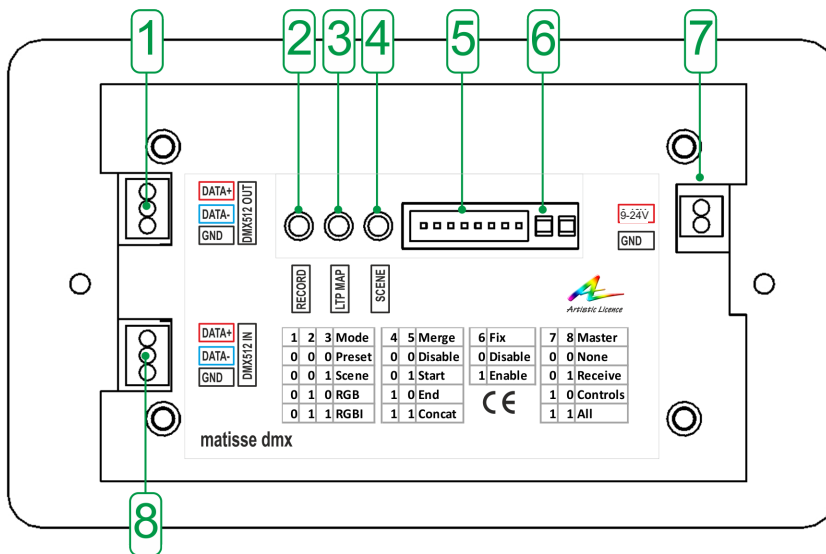
- Mounting: Back-Box1
- Power supply: PSU-9-1.5-FER
- Cover plates:
 - matisse d4 fascia bk
 - matisse d4 fascia bkch
 - matisse d4 fascia ss
 - matisse d4 fascia bs
 - matisse d4 fascia ch
 - matisse d4 fascia pw



Mounting diagram



Connections diagram



Ref.	Type	Description
1	Data Connection	DMX output
2	Programming	Record button
3	Programming	LTP map button
4	Programming	Scene button
5	Mode Configuration	DIP switches
6	LED indication	DMX/ Programming/Mode change
7	Power Connection	9-24 VDC
8	Data Connection	DMX input



The Mould Making Workshop
Soby Mews
Bovey Tracey
TQ13 9JG
United Kingdom

Telephone: +44 (0) 20 8863 4515
Email: sales@ArtisticLicence.com
Service: support@ArtisticLicence.com
Web: www.ArtisticLicence.com

Due to our policy of continuing product improvement specifications are subject to change without notice.

All products are covered from date of purchase by a 2-year return to base warranty.

Artistic Licence

matisse d4 dmx