

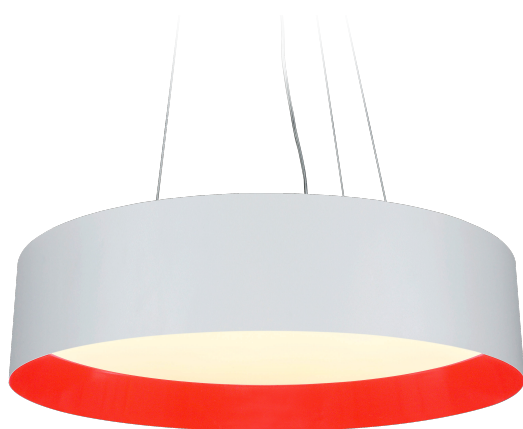
Splash - Direct

Architectural Surface / Suspended Luminaire



PROJECT: TYPE: DATE:

NOTES:



Specification grade architectural round fixtures deliver minimalistic and distinctive lines that are able to endorse any design of hospitality, dealership and commercial space.

- Large varieties in sizes from 24" to 48"
- Lumens from 3,400LM to 15,300LM
- 5.5" height housing
- Extruded aluminum
- 90+ CRI
- Suspended & surface mount



ORDERING GUIDE Example: SPLD-2440-40K-U-DM-90-WH-WH-SW

MODEL	SIZE/LUMENS	COLOUR TEMP.	VOLTAGE	DIMMING	CRI	FINISH	CANOPY FINISH
SPLD	2440 24" 3,400LM	27K 2700K	U 120V-277V	DM 0-10V	90 90+ CRI	WH White	WH White
	3690 36" 7,650LM	30K 3000K	UEB 120V-277V W/ Emergency Backup	PD Phase dimming Triac/ELV		BK Black	BK Black
	48180 48" 15,300LM (Suspended)	35K 3500K			Custom Specify Ral#	Custom Specify Ral#	
	48" 12,750LM (Surface Mount) Custom	40K 4000K			Example:	Example:	
						GR Grey (RAL#9006)	GR Grey (RAL#9006)

MOUNTING OPTION

SW
Suspended wire

SC
Suspended canopy

ST-24/ST-48/ST-60
Stem mount

SM
Surface mount

Suspended Cable Length
ST- Standard 60" (1524mm 5ft)

Suspended Power Cable Length
ST- Standard 60" (1524mm 5ft)

Stem Mount Stem Length
24" (610mm 2ft), 48" (1200mm 4ft), 60" (1500mm 5ft)
*Contact manufacturer for custom stem length

Surface Mount Power Cable Length
ST- Standard 12" (300mm 1ft)

*Phase dimming Triac/ELV: Available
Please contact manufacture

Splash - Direct

Architectural Surface / Suspended Luminaire



SPECIFICATION

Construction

Extruded aluminum housing
Polycarbonate lens

Electrical

0-10V dimming: 100%-10%
Power factor >0.9
Integral Driver

LED System

Available in 2700K, 3000K, 3500K, 4000K
CRI 90+
Sustainable LED modules

Beam Angle

100°

Emergency Battery

Optional Emergency output
5 watts for 90 minutes

Finish

Standard: Polyester powder coat white,
black or custom finish (Specify RAL#)
Example: Grey RAL#9006

Environment

Suitable for dry or damp locations
Indoor use only
-20°C to 40°C (-4°F to 104°F)

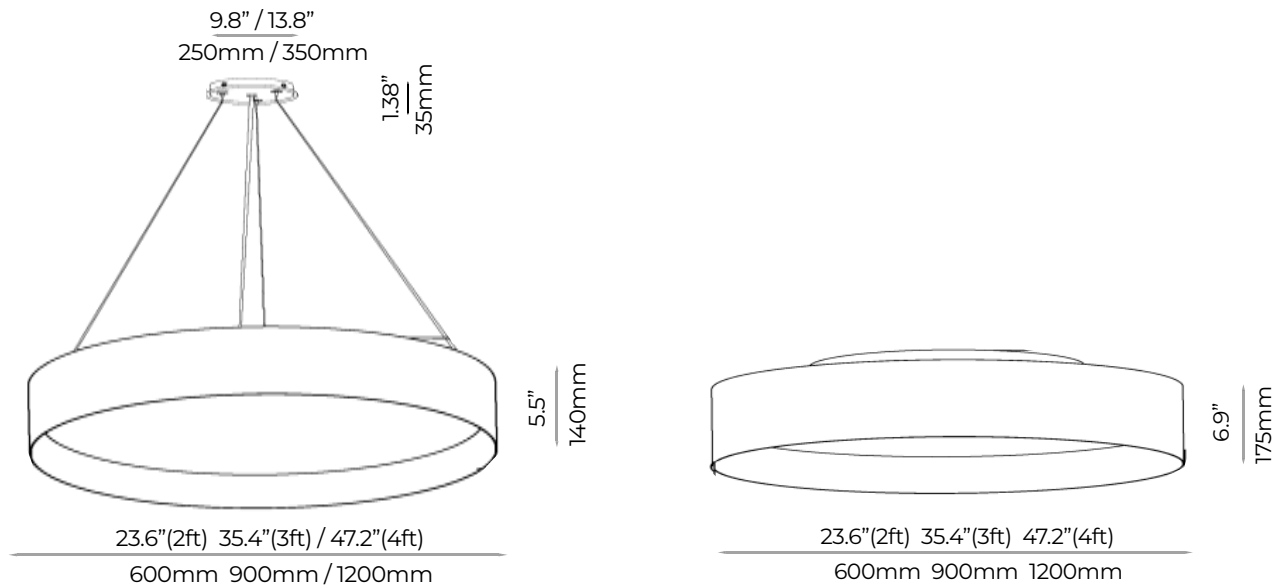
Certificates

ETL and cETL.
Rated Lifetime of L70 50,000+ hrs

Warranty

5 year limited parts warranty

DIMENSIONS



MOUNTING OPTIONS



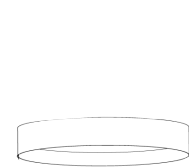
SW
Suspended wire



SC
Suspended canopy



ST
Stem mount



SM
Surface mount

Splash - Direct

Architectural Surface / Suspended Luminaire



TECHNICAL INFORMATION

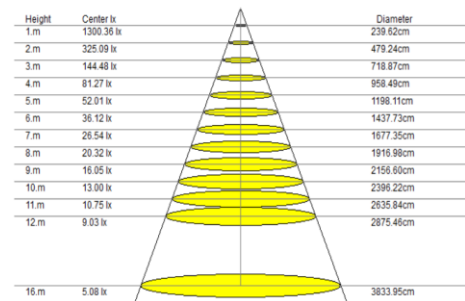
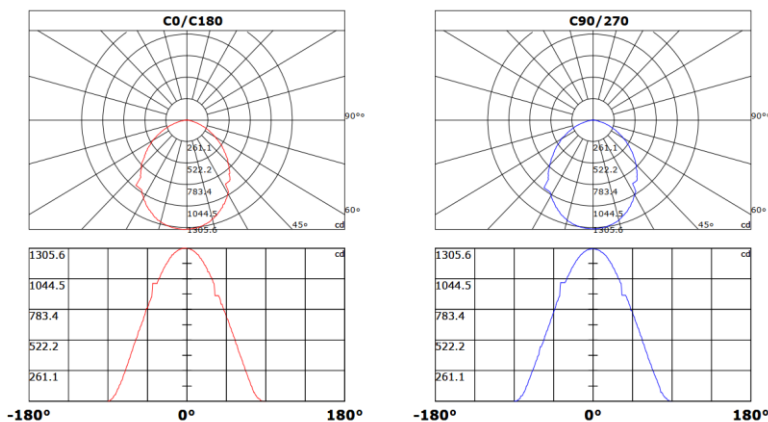
Suspended & Stem Mount

Model	Fixture Dimension (Dia x H)			Total		# of Sections	Suspension Points	Canopy Diameter (Suspended)		# of Driver
	feet	inch	mm	Lumens	Wattage			inch	mm	
2440	2ft	23.6 x 5.5	600	3,400	40	1	3	9.8	250	1
3690	3ft	35.4 x 5.5	900	7,650	90	1	5	9.8	250	1
48180	4ft	47.2 x 5.5	1200	15,300	180	1	5	13.8	350	2

Surface Mount

Model	Fixture Dimension (Dia x H)			Total		# of Sections	Suspension Points	# of Driver
	feet	inch	mm	Lumens	Wattage			
2440	2ft	23.6 x 6.9	600	3,400	40	1	3	1
3690	3ft	35.4 x 6.9	900	7,650	90	1	5	1
48180	4ft	47.2 x 6.9	1200	12,750	150	1	5	2

DISTRIBUTION & OPTICAL



Beam Angle: 100.30°(50%Imax)