

# Linear - Direct LN2733

Architectural Luminaire 120-277V/120-347V



PROJECT:  TYPE:  DATE:

NOTES:



Specification grade architectural LED fixtures deliver minimalistic and distinctive lines that are able to endorse any design of office, dealership, commercial space.

- Available from 24" to 96"
- Lumens from 2,250LM to 9,000LM
- Smoothly even lights, no leakage
- Extruded aluminum housing
- 85 CRI, 90+ CRI optional
- Suspended & surface mount



## ORDERING GUIDE Example: LL5580-4ft-40K-U-DM-85-GR-GR-SW

MODEL	SIZE/LUMENS	COLOUR TEMP.	VOLTAGE	DIMMING	CRI	FINISH	CANOPY FINISH
<b>LN2733</b>	<b>2ft</b> 24"   2,250LM	<b>30K</b> 3000K	<b>U</b> 120V-277V	<b>DM</b> 0-10V	<b>85</b> 85 CRI	<b>GR</b> Grey (RAL#9006)	<b>GR</b> Grey (RAL#9006)
	<b>3ft</b> 36"   3,375LM	<b>35K</b> 3500K	<b>UH</b> 120V-347V	<b>*PD</b> Phase dimming Triac/ELV	<b>90</b> 90+ CRI	<b>WH</b> White	<b>WH</b> White
	<b>4ft</b> 48"   4,500LM	<b>40K</b> 4000K	<b>UEB</b> 120V-277V W/Emergency Backup			<b>BK</b> Black	<b>BK</b> Black
	<b>6ft</b> 72"   6,750LM	<b>CCT Selectable</b> 3000K/3500K/4000K				<b>Custom</b> Specify Ral#	<b>Custom</b> Specify Ral#
	<b>8ft</b> 96"   9,000LM						
	<b>Custom</b>						

### MOUNTING OPTION

**SW**  
Suspended wire

**CM**  
Ceiling mount

**WC**  
Wall mount

**Suspended Cable Length**  
ST- Standard 5ft (60" 1500mm)

**Suspended Power Cable Length**  
ST- Standard 5ft (60" 1500mm)

**Wall & Ceiling Mount Power Cable Length**  
ST- Standard 1ft (11.8" 300mm)

\*Phase dimming Triac/ELV: Available  
Please contact manufacture

# Linear - Direct LN2733

Architectural Luminaire 120-277V/120-347V



## SPECIFICATION

### Construction

Extruded aluminum housing  
Polycarbonate lens

### Electrical

0-10V dimming: 100%-10%  
Power factor >0.9  
Integral Driver Standard

### LED System

Available in 3000K, 3500K, 4000K  
CRI 85, CRI 90+ optional  
Sustainable LED modules

### Emergency Battery

Optional Emergency output  
5 watts for 90 minutes

### Finish

Standard: Polyester powder coat white,  
black or custom finish (Specify RAL#)

### Environment

Suitable for dry or damp locations  
Indoor use only  
-20°C to 40°C (-4°F to 104°F)

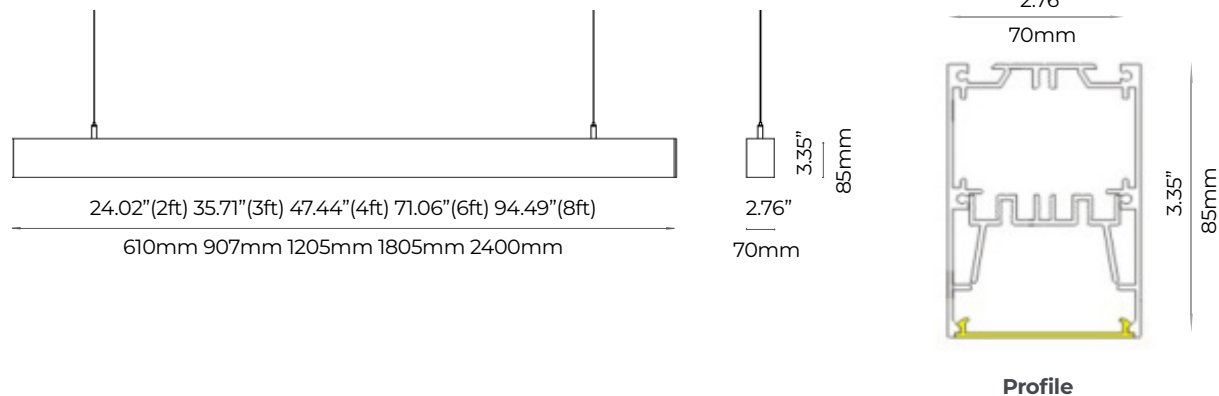
### Certificates

ETL and cETL.  
Rated Lifetime of L70 50,000+ hrs

### Warranty

5 year limited parts warranty

## DIMENSIONS



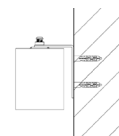
## MOUNTING OPTIONS



**SW**  
Suspended canopy



**CM**  
Ceiling mount



**WC**  
Wall mount

# Linear - Direct LN2733

Architectural Luminaire 120-277V/120-347V

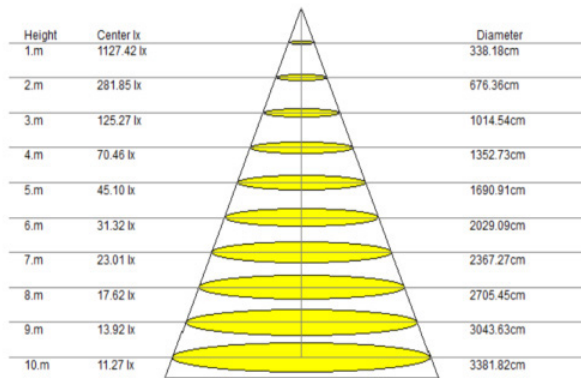
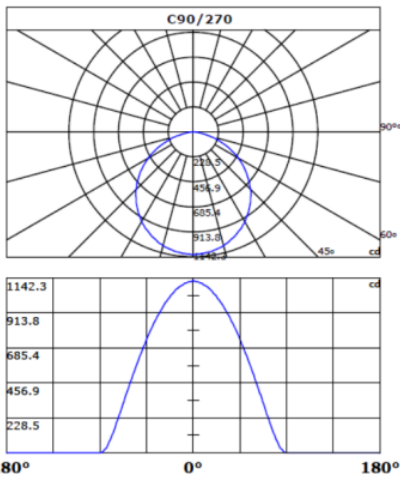


## TECHNICAL INFORMATION

Size	Lumens	Wattage	lumen/W	lumen/ft	Watt/ft
2ft	2,250	20	112.5	1,125	10
3ft	3,375	30			
4ft	4,500	40			
6ft	6,750	60			
8ft	9,000	80			

Testing on 4000K 80 CRI

## DISTRIBUTION & OPTICAL



Beam Angle: 118.80°(50%Imax)