

Linear - Direct/Indirect LL5580

Architectural Luminaire



PROJECT: TYPE: DATE:

NOTES:



Specification grade architectural LED fixtures deliver minimalistic and distinctive lines that are able to endorse any design of office, dealership & commercial space.

- Available from 48" to 96"
- Lumens from 4,400LM to 8,900LM
- Smoothly even lights, no leakage
- Extruded aluminum housing
- 85 CRI, 90+ CRI optional
- Suspended & surface mount



ORDERING GUIDE Example: LL5580-4ft-40K-U-DM-85-GR-GR-SW

MODEL	SIZE/LUMENS	COLOUR TEMP.	VOLTAGE	DIMMING	CRI	FINISH	CANOPY FINISH
LL5580	4ft 48" 4,400LM	27K 2700K	U 120V-277V	DM 0-10V	85 85 CRI	GR Grey (RAL#9006)	GR Grey (RAL#9006)
	6ft 72" 6,700LM	30K 3000K	UEB 120V-277V W/ Emergency Backup		90 90+ CRI	WH White	WH White
	8ft 96" 8,900LM	35K 3500K				BK Black	BK Black
	Custom	40K 4000K				Custom Specify Ral#	Custom Specify Ral#

MOUNTING OPTION

SW
Suspended wire

CM
Ceiling mount

WC
Wall mount

Suspended Cable Length
ST- Standard 5ft (60" 1500mm)

Suspended Power Cable Length
ST- Standard 5ft (60" 1500mm)

Wall & Ceiling Mount Power Cable Length
ST- Standard 1ft (11.8" 300mm)

Linear - Direct/Indirect LL5580

Architectural Luminaire



SPECIFICATION

Construction

Extruded aluminum housing
Polycarbonate lens

Electrical

0-10V dimming: 100%-10%
Power factor >0.9
Integral Driver Standard

LED System

Available in 2700K, 3000K, 3500K, 4000K
CRI 85, CRI 90+ optional
Sustainable LED modules

Emergency Battery

Optional Emergency output
5 watts for 90 minutes

Finish

Standard: Polyester powder coat white,
black or custom finish (Specify RAL#)

Environment

Suitable for dry or damp locations
Indoor use only
-20°C to 40°C (-4°F to 104°F)

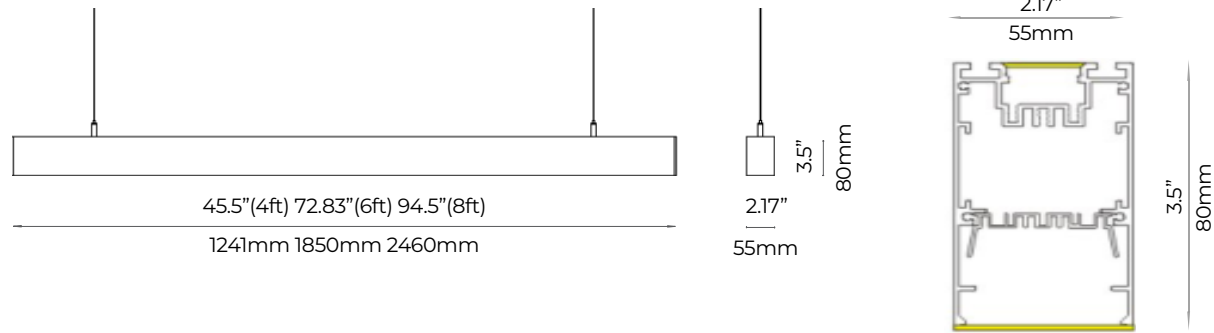
Certificates

ETL and cETL.
Rated Lifetime of L70 50,000+ hrs

Warranty

5 year limited parts warranty

DIMENSIONS



Profile

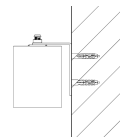
MOUNTING OPTIONS



SW
Suspended canopy



CM
Ceiling mount



WC
Wall mount

Linear - Direct/Indirect LL5580

Architectural Luminaire

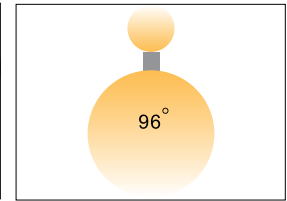
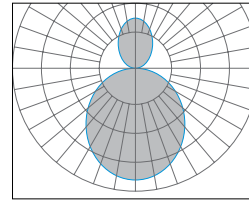
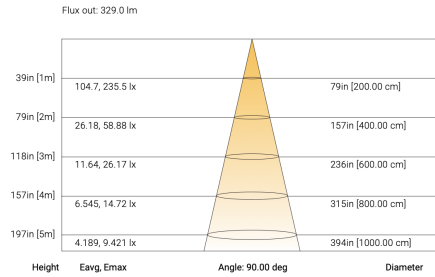
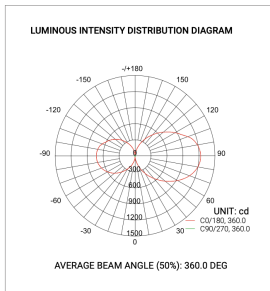


TECHNICAL INFORMATION

Size	Total					Indirect (Uplight)				Direct (Downlight)			
	Lumens	Wattage	lumen/W	lumen/ft	Watt/ft	Lumens	Wattage	lumen/ft	Watt/ft	Lumens	Wattage	lumen/ft	Watt/ft
4ft	4,400	44	100	1112	11	1,800	18	450	4.5	2,700	27	667	6.7
6ft	6,700	67				2,700	27			4,000	40		
8ft	8,900	89				3,600	36			5,300	53		

Based on 4000K

DISTRIBUTION & OPTICAL



EXTENSION

