

Eclipse Round

Architectural Surface / Suspended Luminaire



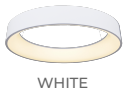
PROJECT: TYPE: DATE:

NOTES:



Specification grade architectural round fixtures deliver minimalistic and distinctive lines that are able to endorse any design of hospitality, retail and commercial space.

- Available from 14" to 32"
- Lumens from 1,050LM to 3,500LM
- Low profile housing 3.5" height
- Extruded aluminum housing
- 90+ CRI
- Suspended & surface mount



ORDERING GUIDE Example: EPLR-2436-40K-U-DM-90-WH-WH-SW

MODEL	SIZE/LUMENS	COLOUR TEMP.	VOLTAGE	DIMMING	CRI	FINISH	CANOPY FINISH
EPLR	1415 14" 1,050LM	27K 2700K	U 120V-277V	DM 0-10V	90 90+ CRI	WH White	WH White
	1725 17" 1,750LM	30K 3000K	UEB 120V-277V W/ Emergency Backup			BK Black	BK Black
	2436 24" 2,520LM	35K 3500K				Custom Specify Ral#	Custom Specify Ral#
	3180 32" 3,500LM	40K 4000K				Example:	Example:
						GR Grey (RAL#9006)	GR Grey (RAL#9006)

MOUNTING OPTION

SW
Suspended wire

SC
Suspended canopy

SM
Surface mount

Suspended Cable Length
ST- Standard 5ft (60" 1500mm)

Suspended Power Cable Length
ST- Standard 5ft (60" 1500mm)

Surface Mount Power Cable Length
ST- Standard 1ft (11.8" 300mm)

*Phase dimming Triac/ELV: Available
Please contact manufacture

Eclipse Round

Architectural Surface / Suspended Luminaire



SPECIFICATION

Construction

Extruded aluminum housing
Polycarbonate lens

Electrical

0-10V dimming: 100%-10%
Power factor >0.9
Integral Driver or Remote Driver

LED System

Available in 2700K, 3000K, 3500K, 4000K
CRI 90+
Sustainable LED modules

Beam Angle

152°

Emergency Battery

Optional Emergency output
5 watts for 90 minutes

Finish

Standard: Polyester powder coat white,
black or custom finish (Specify RAL#)
Example: Grey RAL#9006

Environment

Suitable for dry or damp locations
Indoor use only
-20°C to 40°C (-4°F to 104°F)

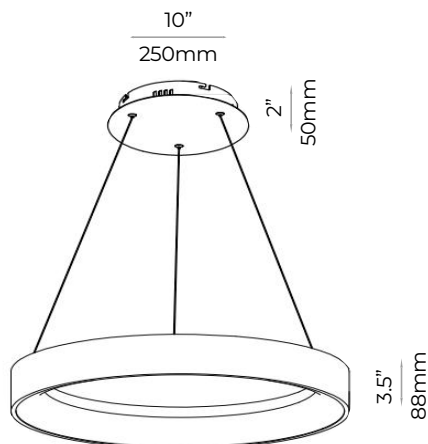
Certificates

ETL and cETL.
Rated Lifetime of L70 50,000+ hrs

Warranty

5 year limited parts warranty

DIMENSIONS



14.2"(1.2ft) 17.7"(1.5ft) 23.6"(2ft) 31.5(2.6ft)
360mm 450mm 600mm 800mm



14.2"(1.2ft) 17.7"(1.5ft) 23.6"(2ft) 31.5(2.6ft)
360mm 450mm 600mm 800mm

MOUNTING OPTIONS



SW
Suspended wire



SC
Suspended canopy



SM
Surface mount

Eclipse Round

Architectural Surface / Suspended Luminaire



TECHNICAL INFORMATION

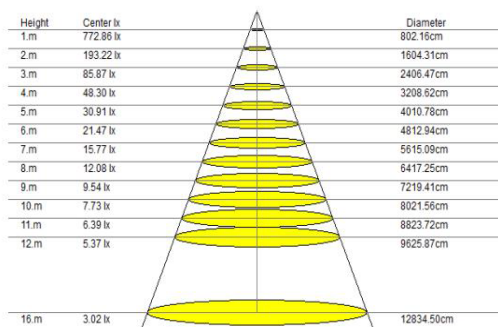
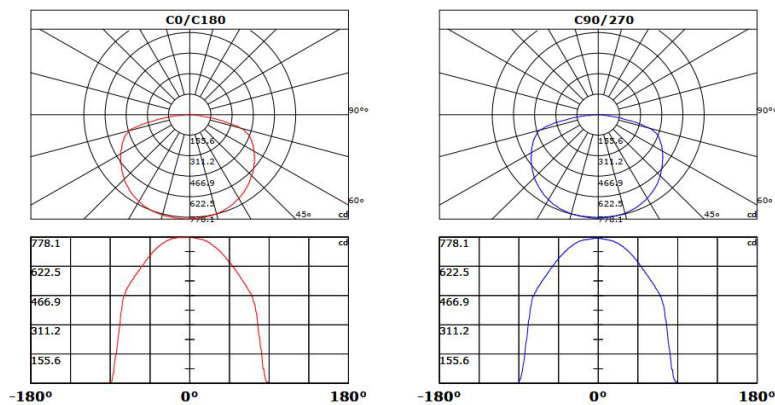
Suspended

Model	Fixture Dimension (L x H)		Total		# of Sections	Canopy Diameter (Suspended)	
	feet	inch	Lumens	Wattage		inch	mm
1415	1.2ft	14.2 x 3.5	1,050	15	1	9.8	250
1725	1.5ft	17.7 x 3.5	1,750	25	1	9.8	250
2436	2ft	23.6 x 3.5	2,520	36	1	9.8	250
3180	2.6ft	31.5 x 3.5	3,500	50	1	9.8	250

Surface Mount

Model	Fixture Dimension (L x H)		Total		# of Sections
	feet	inch	Lumens	Wattage	
1415	1.2ft	14.2 x 4.6	1,050	15	1
1725	1.5ft	17.7 x 4.6	1,750	25	1
2436	2ft	23.6 x 4.6	2,520	36	1
3180	2.6ft	31.5 x 4.6	3,500	50	1

DISTRIBUTION & OPTICAL



Beam Angle: 152.00°(50%Imax)