

Donut

Architectural Surface / Suspended Luminaire



PROJECT: TYPE: DATE:

NOTES:



Specification grade architectural round fixtures deliver minimalistic and distinctive lines that are able to endorse any design of hospitality, retail and commercial space.

- Large varieties in sizes from 16" to 70"
- Lumens from 1,750LM to 8,400LM
- 2.36" height
- 90+ CRI
- Surface & Suspended mount



ORDERING GUIDE

Example: DON-2436-40K-U-DM-90-WH-WH-SW

MODEL	SIZE/LUMENS	COLOUR TEMP.	VOLTAGE	DIMMING	CRI	FINISH	CANOPY FINISH
DON	1625 16" 1,750LM	27K 2700K	U 120V-277V	DM 0-10V	90 90+ CRI	WH White	WH White
	2436 24" 2,520LM	30K 3000K	UEB 120V-277V W/ Emergency Backup				BK Black
	3660 36" 4,200LM	35K 3500K					Custom Specify Ral#
	4880 48" 5,600LM	40K 4000K					Example:
	59100 59" 7,000LM						GR Grey (RAL#9006)
	70120 70" 8,400LM						

MOUNTING OPTION

SW
Suspended wire

SC
Suspended canopy

SM
Surface mount

Suspended Cable Length
ST- Standard 60" (1524mm 5ft)

Suspended Power Cable Length
ST- Standard 60" (1524mm 5ft)

Surface Mount Power Cable Length
ST- Standard 12" (300mm 1ft)

*Phase dimming Triac/ELV: Available
Please contact manufacture

Donut

Architectural Surface / Suspended Luminaire



SPECIFICATION

Construction

PE body constructions comes with milk diffuser

Electrical

0-10V dimming: 100%-10%
Power factor >0.9
Remote Driver

LED System

Available in 2700K, 3000K, 3500K, 4000K
CRI 90+
Sustainable LED modules

Beam Angle

360°

Emergency Battery

Optional Emergency output
5 watts for 90 minutes

Finish

Standard: White diffuser

Environment

Suitable for dry or damp locations
Indoor use only
-20°C to 40°C (-4°F to 104°F)

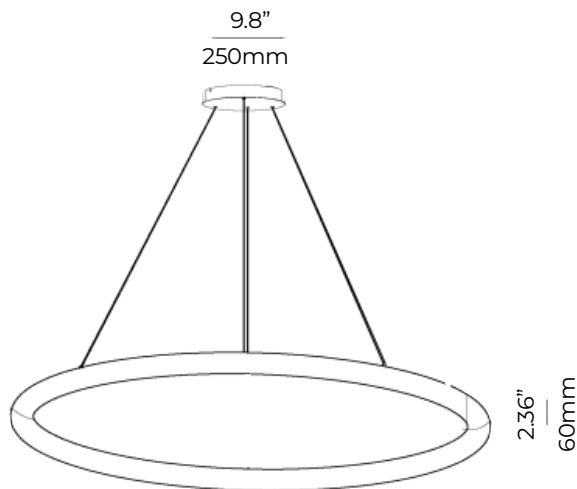
Certificates

ETL and cETL.
Rated Lifetime of L70 50,000+ hrs

Warranty

5 year limited parts warranty

DIMENSIONS



15.7"(1.6ft) 23.6"(2ft) 35.4"(3ft) 47.2"(4ft) 59.1"(5ft) 70.9"(6ft)
400mm 600mm 900mm 1200mm 1500mm 1800mm

MOUNTING OPTIONS



SW
Suspended wire



SC
Suspended canopy



SM
Surface mount

Donut

Architectural Surface / Suspended Luminaire



TECHNICAL INFORMATION

Suspended & Surface Mount

Model	Fixture Dimension (Dia x Width)		Total		# of Sections	Canopy Diameter (Suspended)	
	feet	inch	Lumens	Wattage		inch	mm
1625	1.6ft	15.7 x 2.36	1,750	25	1	9.8	250
2436	2ft	23.6 x 2.36	2,520	36	1	9.8	250
3660	3ft	35.4 x 2.36	4,200	60	1	9.8	250
4880	4ft	47.2 x 2.36	5,600	80	1	9.8	250
59100	5ft	59.0 x 2.36	7,000	100	1	9.8	250
70120	6ft	70.9 x 2.36	8,400	120	1	9.8	250

DISTRIBUTION & OPTICAL

