

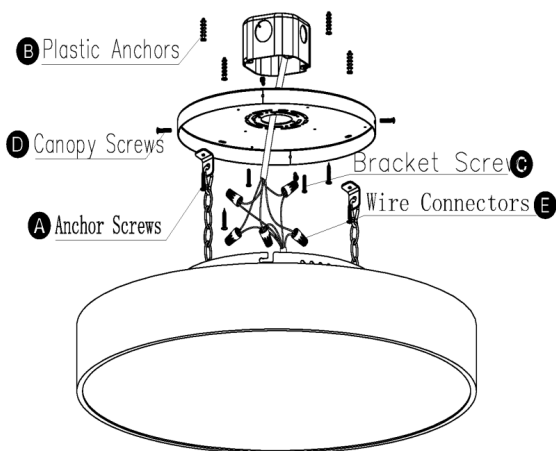
# Cloud Series - Surface Mount

## Installation Instruction

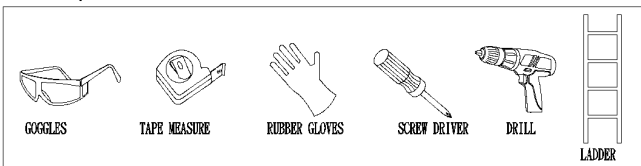


Please read this installation manual carefully before installation, keep it for future reference. Products are well packed and performing well before leave our factory. Please strictly follow the instructions listed in the manual. Factory or distributor shall not be hold responsible for any mis-operation or damage caused by not following up the manual.

### Installation Diagram



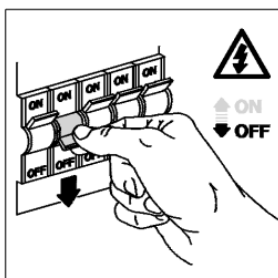
#### Tools You May Need



### Step 1

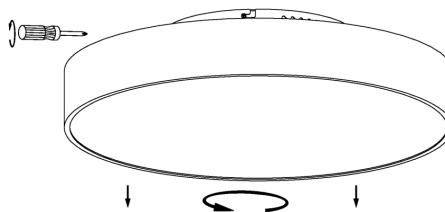
Shut "OFF" the electricity at main fuse box.  
Place the wall switch in the "OFF" position of the room you are installing the fixture.

#### Circuit Box



### Step 2

Use Screw driver to relief Canopy screw a little.(Not take out).Rotate Mounting Bracket and take it out from Bottom Bracket as below.



# Cloud Series - Surface Mount

## Installation Instruction

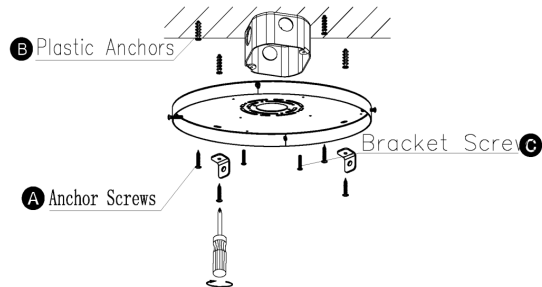


### Step 3

Take out Plastic Pin, drill 4 pcs or 6 pcs diameter 8mm holes on the ceiling according to Mounting Bracket.

(Please note: the fixture dia is bigger than 2ft, need 6pcs holes, 4 for Bracket screw, 2 for safety Bracket screw. Safety cable suspension for canopy is only applicable for size from diameter of 3ft and above, size from diameter of 2ft and below don't need safety cable suspension for canopy.)

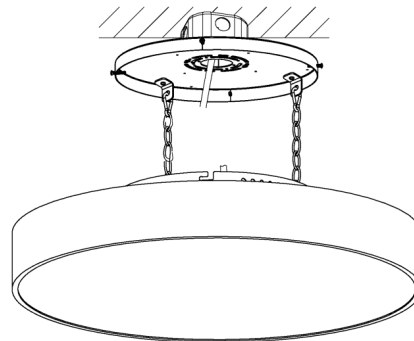
Insert the expansion bolts into the holes. ( Use 2 pcs M4\*25mm Screws to fix Mounting Bracket with J-Box, refer to picture shown below.



### Step 4

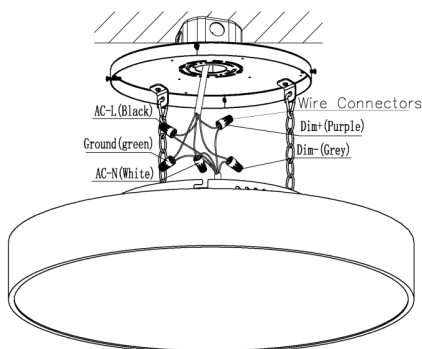
Use 4pcs or 6 pcs(2 for Safe Bracket) M4\*25 Self-Tapping screw to fix Mounting Bracket on the ceiling, and Connect the safety chain between Mounting Bracket and Canopy.

Attention: Must secure mounting plate at all connection points (junction box plus four outer points for small and medium size, or six outer points for large size) to support fixture weight appropriately. Not using all mounting points could damage the fixture and void product warranty.



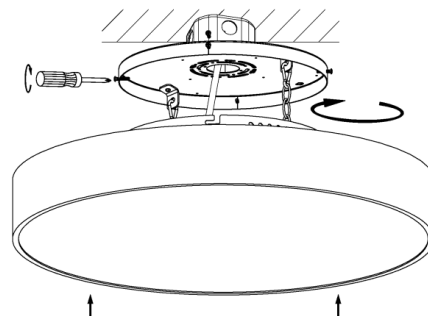
### Step 5

Use wire connectors to connect L,N,G,DIM+,DIM- wires. After finish, Put all Wires with connector into J-Box



### Step 6

Keep the Slot hole as vertical line with Side screw, and make screw into slot, then rotate lamp body, finish fix it.



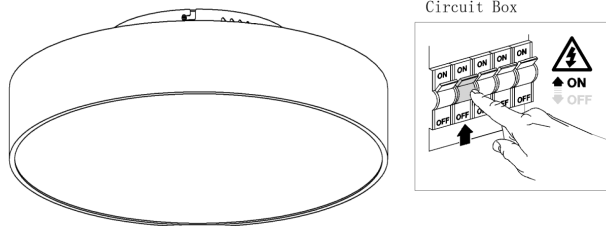
# Cloud Series - Surface Mount

## Installation Instruction



### Step 7

After finish installation, turn on the electricity at main fuse box, the lighting works.



- MIN 90 °C SUPPLY CONDUCTORS/LES FILS D'ALIMENTATION 90 °C MIN
- DAMP LOCATIONS ONLY/POUR EMPLACEMENTS SECS SEULEMENT
- CAUTION – RISK OF FIRE/ATTENTION – RISQUE D'INCENDIE

THIS PRODUCT MUST BE INSTALLED IN ACCORDANCE WITH THE APPLICABLE INSTALLATION CODE BY A PERSON FAMILIAR WITH THE CONSTRUCTION AND OPERATION OF THE PRODUCT AND THE HAZARDS INVOLVED/CE PRODUIT DOIT ÊTRE INSTALLÉ SELON LE CODE D'INSTALLATION PERTINENT, PAR UNE PERSONNE QUI CONNAÎT BIEN LE PRODUIT ET SON FONCTIONNEMENT AINSI QUE LES RISQUES INHÉRENTS

- Application temperature for ring light is -20°C~40°C, humidity is 0~95%. Otherwise there may be harm to the lifespan of the ring light.
- Please TURN OFF POWER before installation. This lamp must be installed and maintained by electrician or qualified personnel.
- Pay attention to fire prevention, electricity and shock resistance.
- Please do not cover the combustibles on the fixture.
- All screws and terminals should be tightened and tightly inserted. No loosening and improper connection are allowed. Attention should be paid to the polarity of components, power supply, driver and so on.
- Terminals should be tightened and tightly inserted. No loosening and improper