

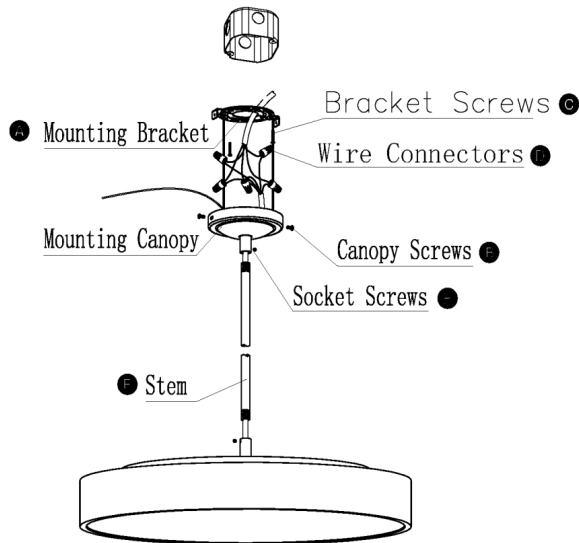
# Cloud Series - Stem Mount

## Installation Instruction

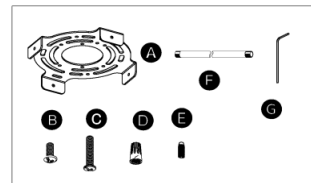


Please read this installation manual carefully before installation, keep it for future reference. Products are well packed and performing well before leave our factory. Please strictly follow the instructions listed in the manual. Factory or distributor shall not be hold responsible for any mis-operation or damage caused by not following up the manual.

### Installation Diagram

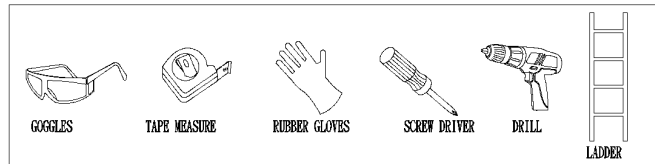


### Parts List



- A. Mounting Bracket
- B. Canopy Screws
- C. Bracket Screws
- D. Wire Connectors
- E. Socket Screws
- F. Stem
- G. Hex key

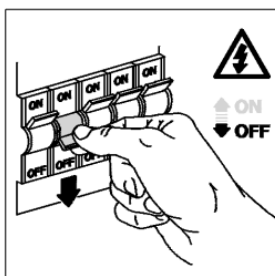
### Tools You May Need



### Step 1

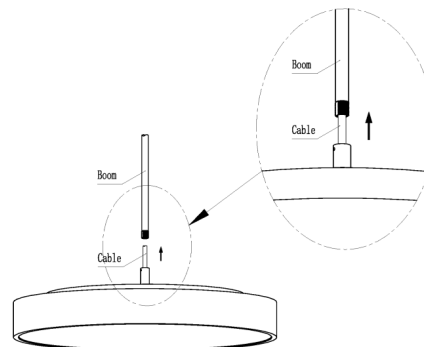
Shut "OFF" the electricity at main fuse box. Place the wall switch in the "OFF" position of the room you are installing the fixture.

#### Circuit Box



### Step 2

Get the Main 5 core cable throughout Stem.

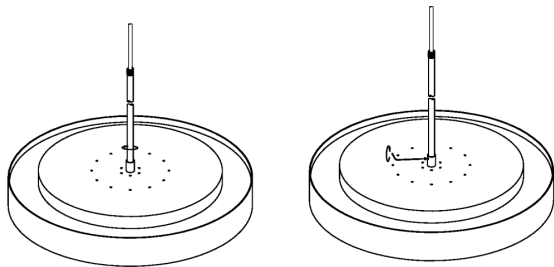


# Cloud Series - Stem Mount

## Installation Instruction

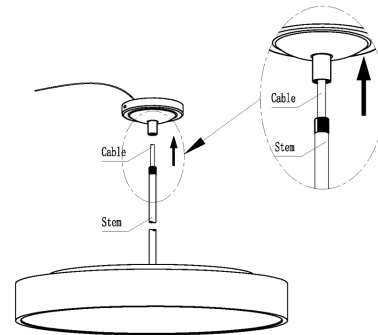
### Step 3

Rotate Stem to fix with Bottom Bracket till match well, then use Hex key to fix 1 socket screw to lock Stem, Refer to the pic1 and pic2.



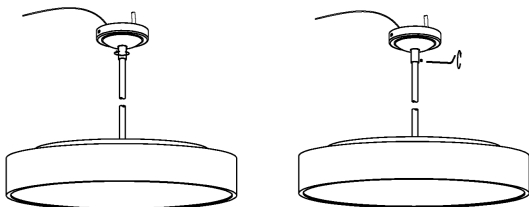
### Step 4

Get the Main 5 core cable throughout Mounting Canopy.



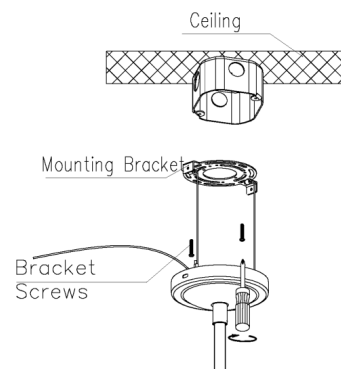
### Step 5

Rotate Mounting Canopy to fix with Stem till match well, then use Hex key to fix 1 socket screw to lock Stem, Refer to the pic3 and pic4



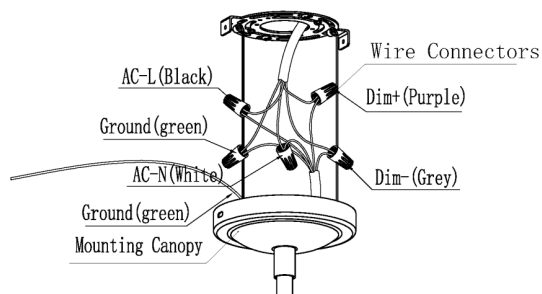
### Step 6

Use 2 pcs M4\*25mm Bracket Screws to fix Mounting Bracket with J-Box, refer to picture shown below.



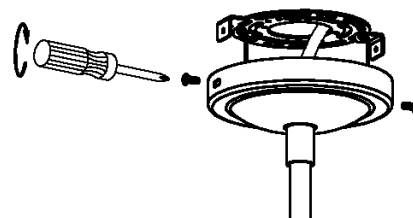
### Step 7

Use wire connectors to connect L,N,G,DIM+,DIM-wires. After finish, Put all Wires with connector into J-Box



### Step 8

Keep the Slot hole as vertical line with Side screw, put the lamp body upward. And make screw into slot, use Screw driver to fix it.



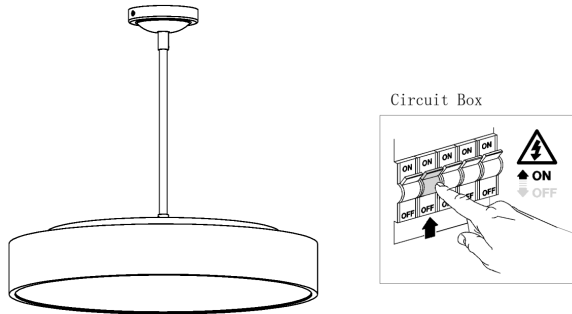
# Cloud Series - Stem Mount

## Installation Instruction



### Step 9

After finish installation, turn on the electricity at main fuse box, the lighting works.



- MIN 90 °C SUPPLY CONDUCTORS/LES FILS D'ALIMENTATION 90 °C MIN
- DAMP LOCATIONS ONLY/POUR EMPLACEMENTS SECS SEULEMENT
- CAUTION – RISK OF FIRE/ATTENTION – RISQUE D'INCENDIE

THIS PRODUCT MUST BE INSTALLED IN ACCORDANCE WITH THE APPLICABLE INSTALLATION CODE BY A PERSON FAMILIAR WITH THE CONSTRUCTION AND OPERATION OF THE PRODUCT AND THE HAZARDS INVOLVED/CE PRODUIT DOIT ÊTRE INSTALLÉ SELON LE CODE D'INSTALLATION PERTINENT, PAR UNE PERSONNE QUI CONNAÎT BIEN LE PRODUIT ET SON FONCTIONNEMENT AINSI QUE LES RISQUES INHÉRENTS

- Application temperature for ring light is -20°C~40°C, humidity is 0~95%. Otherwise there may be harm to the lifespan of the ring light.
- Please TURN OFF POWER before installation. This lamp must be installed and maintained by electrician or qualified personnel.
- Pay attention to fire prevention, electricity and shock resistance.
- Please do not cover the combustibles on the fixture.
- All screws and terminals should be tightened and tightly inserted. No loosening and improper connection are allowed. Attention should be paid to the polarity of components, power supply, driver and so on.
- Terminals should be tightened and tightly inserted. No loosening and improper