

# Circo Ring - Direct

## Architectural Suspended Luminaire



PROJECT:  TYPE:  DATE:

NOTES:



WHITE



BLACK



CUSTOM

Specification grade architectural LED ring fixtures deliver minimalistic and distinctive lines that are able to endorse any design of hospitality, dealership & commercial space.

- Available from 24" to 200" diameter
- Lumens from 3,400LM to 34,000LM
- Low profile housing 1.5" height
- Extruded aluminum housing
- 90+ CRI
- Suspended & surface mount



### ORDERING GUIDE Example: RD-2440-40K-U-DM-90-WH-WH-SW

MODEL	SIZE/LUMENS	COLOUR TEMP.	VOLTAGE	DIMMING	CRI	FINISH	CANOPY FINISH
<b>RD</b>	<b>2040</b> 24"   3,400LM	<b>27K</b> 2700K	<b>U</b> 120V-277V	<b>DM</b> 0-10V	<b>90</b> 90+ CRI	<b>WH</b> White	<b>WH</b> White
	<b>3650</b> 36"   4,250LM	<b>30K</b> 3000K	<b>UEB</b> 120V-277V W/ Emergency Backup	<b>PD</b> Phase dimming Triac/ELV		<b>BK</b> Black	<b>BK</b> Black
	<b>4880</b> 48"   6,800LM	<b>35K</b> 3500K				<b>Custom</b> Specify Ral#	<b>Custom</b> Specify Ral#
	<b>60100</b> 60"   8,500LM	<b>40K</b> 4000K				Example:	Example:
	<b>78120</b> 78"   10,200LM					<b>GR</b> Grey (RAL#9006)	<b>GR</b> Grey (RAL#9006)
	<b>118200</b> 118"   17,000LM						
	<b>196400</b> 196"   34,000LM						

### MOUNTING OPTION

- SW**  
Suspended wire
- SC**  
Suspended canopy
- SM**  
Surface mount

**Suspended Cable Length**  
ST- Standard 5ft (60" 1500mm)

**Suspended Power Cable Length**  
ST- Standard 5ft (60" 1500mm)

**Surface Mount Power Cable Length**  
ST- Standard 1ft (11.8" 300mm)

\*Phase dimming Triac/ELV: Available  
Please contact manufacture

# Circo Ring - Direct

Architectural Suspended Luminaire



## SPECIFICATION

### Construction

Extruded aluminum housing  
Polycarbonate lens

### Beam Angle

118°

### Environment

Suitable for dry or damp locations  
Indoor use only  
-20°C to 40°C (-4°F to 104°F)

### Electrical

0-10V dimming: 100%-10%  
Power factor >0.9  
Integral Driver Canopy Standard  
unless Remote Driver specified

### Emergency Battery

Optional Emergency output  
5 watts for 90 minutes

### Certificates

ETL and cETL.  
Rated Lifetime of L70 50,000+ hrs

### LED System

Available in 2700K,3000K,3500K,4000K  
CRI 90+  
Sustainable LED modules

### Finish

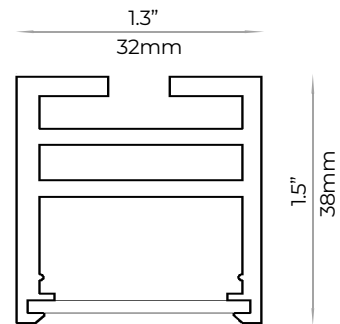
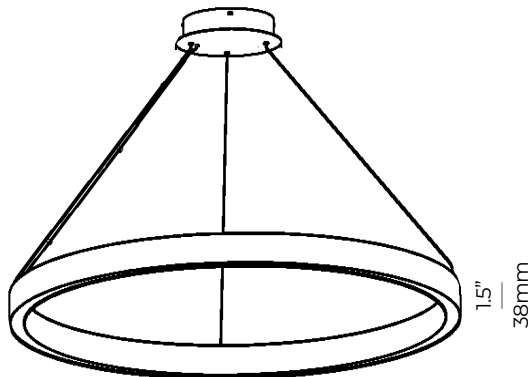
Standard: Polyester powder coat white,  
black or custom finish (Specify RAL#)  
Example: Grey RAL#9006

### Warranty

5 year limited parts warranty

## DIMENSIONS

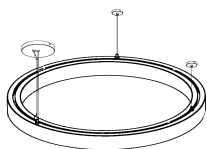
9.8" 13.8" 17.7" 19.7"  
250mm 350mm 450mm 500mm



Profile

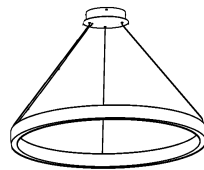
23.6"(2ft) 35.4"(3ft) 47.2"(4ft) 59.1"(5ft) 78.8"(6.5ft) 118.1"(10ft) 196.9"(16ft)  
600mm 900mm 1200mm 1500mm 2000mm 3000mm 5000mm

## MOUNTING OPTIONS



SW

Suspended wire



SC

Suspended canopy



SM

Surface mount

# Circo Ring - Direct

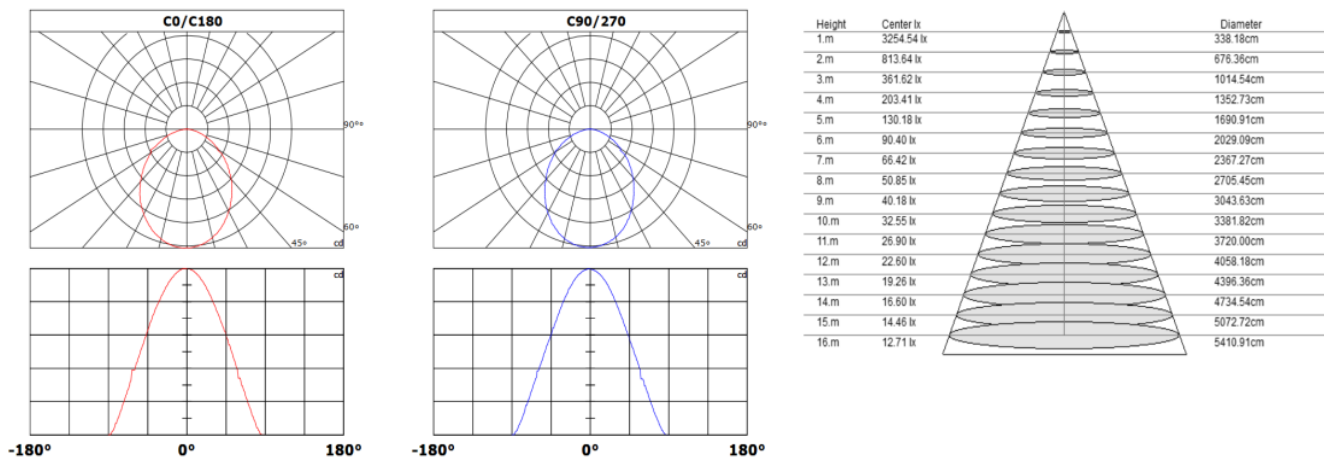
Architectural Suspended Luminaire



## TECHNICAL INFORMATION

Model	Fixture Dimension (Diameter)			Fixture (Width x Height)	Total		# of Sections	Suspension Points	Canopy Diameter		# of Driver
	feet	inch	mm		Lumens	Wattage			inch	mm	
2040	2ft	23.6"	600	1.3 x 1.5	3,400	40	1	3	9.8	250	1
3650	3ft	35.4"	900	1.3 x 1.5	4,250	50	1	3	9.8	250	1
4880	4ft	47.2"	1200	1.3 x 1.5	6,800	80	1	4	9.8	250	2
60100	5ft	59.1"	1500	1.3 x 1.5	8,500	100	1	4	9.8	250	2
80120	6.5ft	78.8"	2000	1.3 x 1.5	10,200	120	3	6	13.8	350	3
118200	10ft	118.1"	3000	1.3 x 1.5	17,000	200	5	10	17.7	450	5
196400	16ft	196.9"	5000	1.3 x 1.5	34,000	400	6	18	19.7	500	10

## DISTRIBUTION & OPTICAL

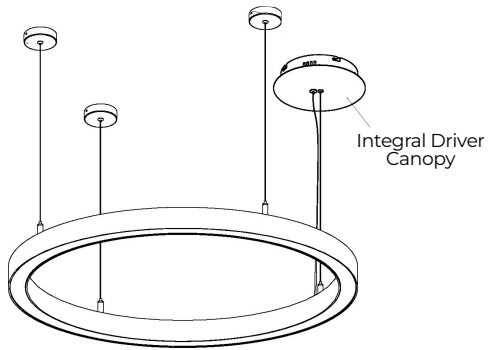


Beam Angle: 118.80°(50%Imax)

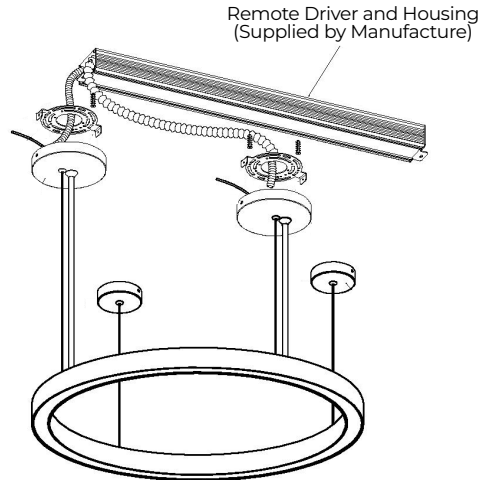
# Circo Ring - Direct

Architectural Suspended Luminaire

## INSTALLATION DIAGRAMS



**Integral Driver Canopy**



**Remote Driver**