

Circo Ring - Direct/Indirect

Architectural Suspended Luminaire



PROJECT: TYPE: DATE:

NOTES:



WHITE



BLACK



CUSTOM

Specification grade architectural LED ring fixtures deliver minimalistic and distinctive lines that are able to endorse any design of hospitality, dealership & commercial space.

- Available from 24" to 200" diameter
- Lumens from 5,525LM to 40,800LM
- Low profile housing 1.5" height
- Extruded aluminum housing
- 90+ CRI
- Suspended & surface mount



ORDERING GUIDE Example: RDID-2450-40K-U-DM-90-WH-WH-SW

MODEL	SIZE/LUMENS	COLOUR TEMP.	VOLTAGE	DIMMING	CRI	FINISH	CANOPY FINISH
RDID	2450 24" 5,525LM	27K 2700K	U 120V-277V	DM 0-10V	90 90+ CRI	WH White	WH White
	3680 36" 6,800LM	30K 3000K	UEB 120V-277V W/ Emergency Backup	PD Phase dimming Triac/ELV: 2450/3680/48120		BK Black	BK Black
	48120 48" 10,200LM	35K 3500K				Custom Specify Ral#	Custom Specify Ral#
	60135 60" 11,475LM	40K 4000K				Example:	Example:
	78150 78" 12,750LM					GR Grey (RAL#9006)	GR Grey (RAL#9006)
	118300 118" 25,500LM						
	196480 196" 40,800LM						

MOUNTING OPTION

- SW**
Suspended wire
- SC**
Suspended canopy

Suspended Cable Length
ST- Standard 5ft (60" 1500mm)

Suspended Power Cable Length
ST- Standard 5ft (60" 1500mm)

Circo Ring - Direct/Indirect

Architectural Suspended Luminaire



SPECIFICATION

Construction

Extruded aluminum housing
Polycarbonate lens

Distribution

Indirect 30-38%
Direct 62-70%

Environment

Suitable for dry or damp locations
Indoor use only
-20°C to 40°C (-4°F to 104°F)

Electrical

0-10V dimming: 100%-10%
Power factor >0.9
Integral Driver Canopy Standard unless
Remote Driver specified

Emergency Battery

Optional Emergency output
5 watts for 90 minutes

Certificates

ETL and cETL.
Rated Lifetime of L70 50,000+ hrs

LED System

Available in 2700K,3000K,3500K,4000K
CRI 90+
Sustainable LED modules

Finish

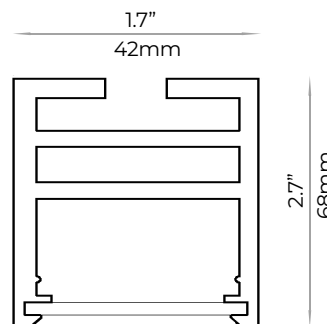
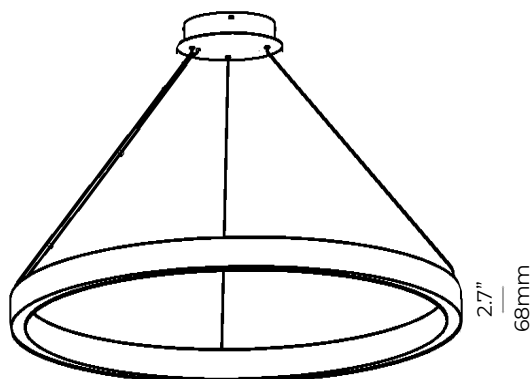
Standard: Polyester powder coat white,
black or custom finish (Specify RAL#)
Example: Grey RAL#9006

Warranty

5 year limited parts warranty

DIMENSIONS

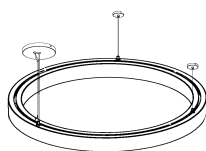
9.8" 13.8" 17.7" 19.7"
250mm 350mm 450mm 500mm



Profile

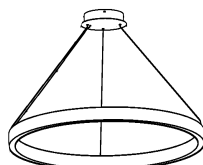
23.6"(2ft) 35.4"(3ft) 47.2"(4ft) 59.1"(5ft) 78.8"(6.5ft) 118.1"(10ft) 196.9"(16ft)
600mm 900mm 1200mm 1500mm 2000mm 3000mm 5000mm

MOUNTING OPTIONS



SW

Suspended wire



SC

Suspended canopy

Circo Ring - Direct/Indirect

Architectural Suspended Luminaire



TECHNICAL INFORMATION

Model	Fixture Dimension (Diameter)			Fixture (Width x Height)	Total		Indirect (Uplight)		Direct (Downlight)		Direct (Down light) %
	feet	inch	mm		inch	Lumens	Wattage	Lumens	Wattage	Lumens	
2450	2ft	23.6"	600	1.7x 2.7	5,525	65	2,125	25	3,400	40	62%
3680	3ft	35.4"	900	1.7x 2.7	6,800	80	2,040	24	4,760	56	70%
48120	4ft	47.2"	1200	1.7x 2.7	10,200	120	3,060	36	7,140	84	70%
60135	5ft	59.1"	1500	1.7x 2.7	11,475	135	3,825	45	7,650	90	67%
78150	6.5ft	78.8"	2000	1.7x 2.7	12,750	150	3,825	45	8,925	105	70%
118300	10ft	118.1"	3000	1.7x 2.7	25,500	300	7,650	90	17,850	210	70%
196480	16ft	196.9"	5000	1.7x 2.7	40,800	480	12,240	144	28,560	336	70%

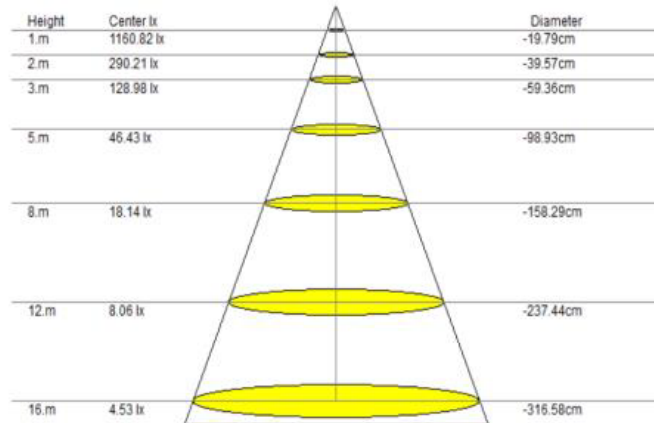
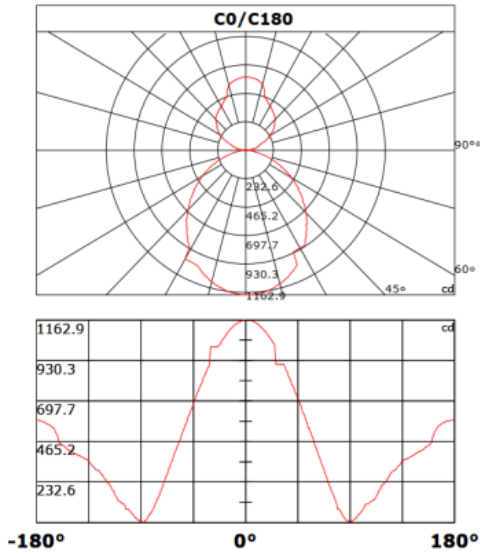
Model	Fixture Dimension (Diameter)			# of Sections	Suspension Points	Canopy Diameter		# of Driver	Aircraft Cable	# of Power Cable
	feet	inch	mm			inch	mm			
2450	2ft	23.6"	600	1	3	9.8	250	2	2	2
3680	3ft	35.4"	900	1	3	9.8	250	2	2	2
48120	4ft	47.2"	1200	1	4	13.8	350	3	3	3
60135	5ft	59.1"	1500	1	4	13.8	350	3	3	3
78150	6.5ft	78.8"	2000	3	6	17.7	450	4	4	4
118300	10ft	118.1"	3000	5	10	19.7	500	7	7	7
196480	16ft	196.9"	5000	6	18	23.6	600	14	14	14

Circo Ring - Direct/Indirect

Architectural Suspended Luminaire

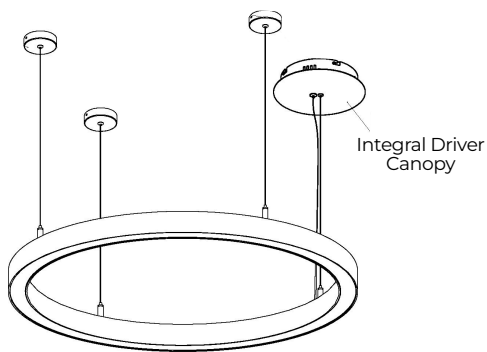


DISTRIBUTION & OPTICAL

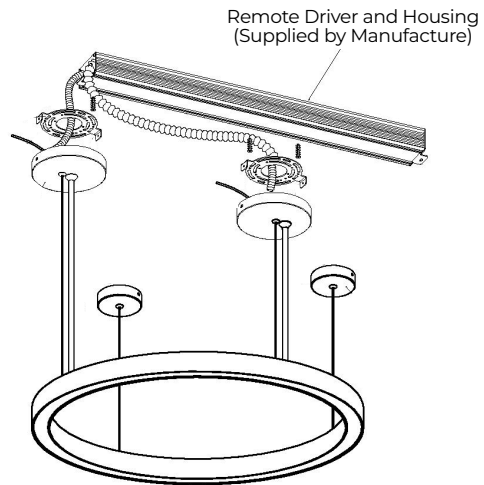


Beam Angle: 348.70° (50%Imax)

INSTALLATION DIAGRAMS



Integral Driver Canopy



Remote Driver