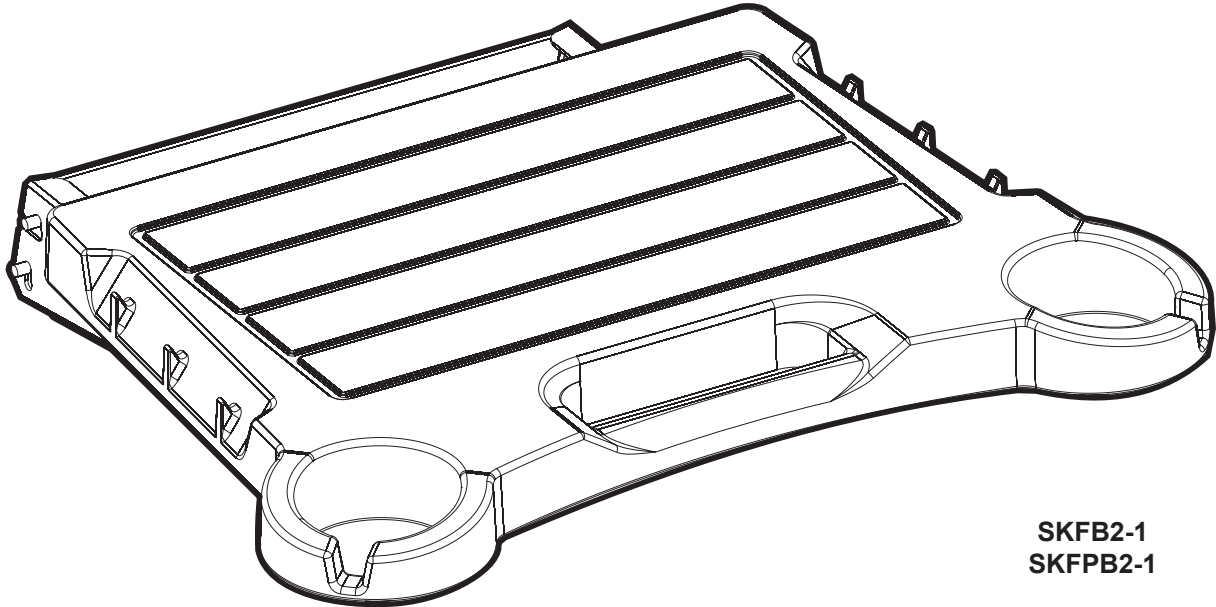


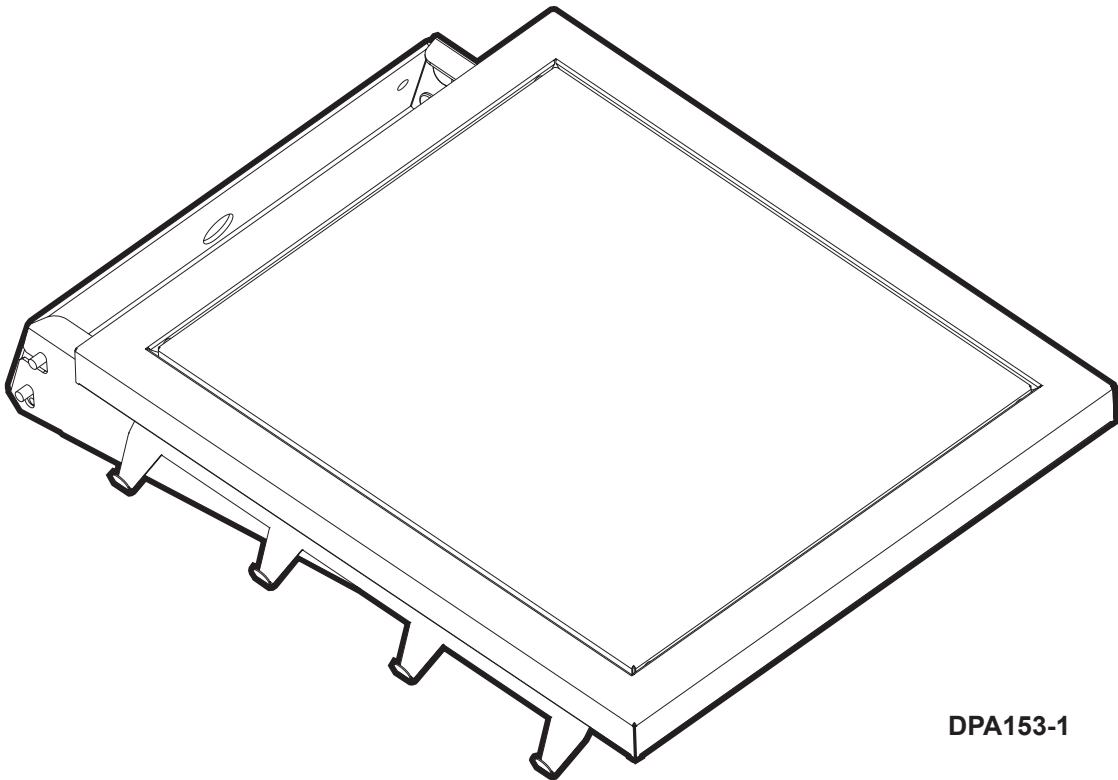


BROILMASTER[®] **PREMIUM GRILLS**

SOLID SURFACE DROP-DOWN SHELF KIT



STAINLESS STEEL DROP-DOWN SHELF KIT



RETAIN OWNER'S MANUAL FOR FUTURE REFERENCE.

IMPORTANT INFORMATION

IMPORTANT

Thank you for choosing a Broilmaster Premium Gas Grill. This shelf kit has been designed to fit perfectly and function flawlessly – to provide years of service.

Please read the entire manual and compare the parts list to the parts provided with this kit before you begin the installation. If this shelf kit is missing any parts, contact your Broilmaster dealer. Keep this manual in a safe place to help you identify and order repair parts if they are ever required.

This manual covers the SKFPB2, SKFB2 and DPA153 folding shelves. Refer to the illustration for your shelf, and follow the instructions carefully.

▲ CAUTION

These side shelves are designed to support approximately 25 pounds. Exceeding this weight limit may cause damage and void the warranty.

▲ CAUTION:

Parts may have sharp edges. Wear leather work gloves and handle parts carefully during unpacking, assembly and installation.

Thank you for purchasing a Broilmaster Grill Accessory.

Broilmaster takes pride in its reputation as the The Most Durable Grill Known to Man.

From its thick aluminum casting to its massive cooking grids, your Broilmaster is built to last. In fact we still make replacement parts for Broilmaster grills built more than 30 years ago.

Visit www.broilmaster.com and click on the Hall of Fame to see a sampling of our long-time customers. We hope you enjoy years of great meals prepared on your Broilmaster. And we hope to add your photo to the Hall of Fame one day.

Thank You!

Broilmaster is a registered trademark of

Empire Comfort Systems, Inc.

918 Freeburg Ave.

Belleville, Illinois 62220

Telephone 800-851-3153

TABLE OF CONTENTS

You have chosen the finest grill for your outdoor cooking pleasure.
Please take time to read this entire manual before assembling your Broilmaster Grill Accessory

ASSEMBLY INSTRUCTIONS	5
SKFB2-1, SKFPB2-1 INSTALLATION INSTRUCTION	6
SKFB2 & SKFPB2 PARTS DIAGRAM	7
SKFB2 & SKFPB2 HARDWARE PACK - B101658.....	8
SOLID SURFACE DROP-DOWN SIDE SHELF INSTALLATION.....	9-12
DPA153-1 INSTALLATION INSTRUCTION	13
DPA153 PARTS DIAGRAM.....	14
DPA153 HARDWARE PACK - B102154	15
STAINLESS STEEL DROP-DOWN SIDE SHELF INSTALLATION.....	16-20
GRILL MAINTENANCE HISTORY	21-22
MASTER PARTS DISTRIBUTOR LIST	23
HOW TO ORDER REPAIR PARTS	23

ASSEMBLY INSTRUCTIONS

Before You Begin

Compare the parts in the box to the parts list provided in this manual. If any are missing, contact your Broilmaster dealer before beginning assembly.

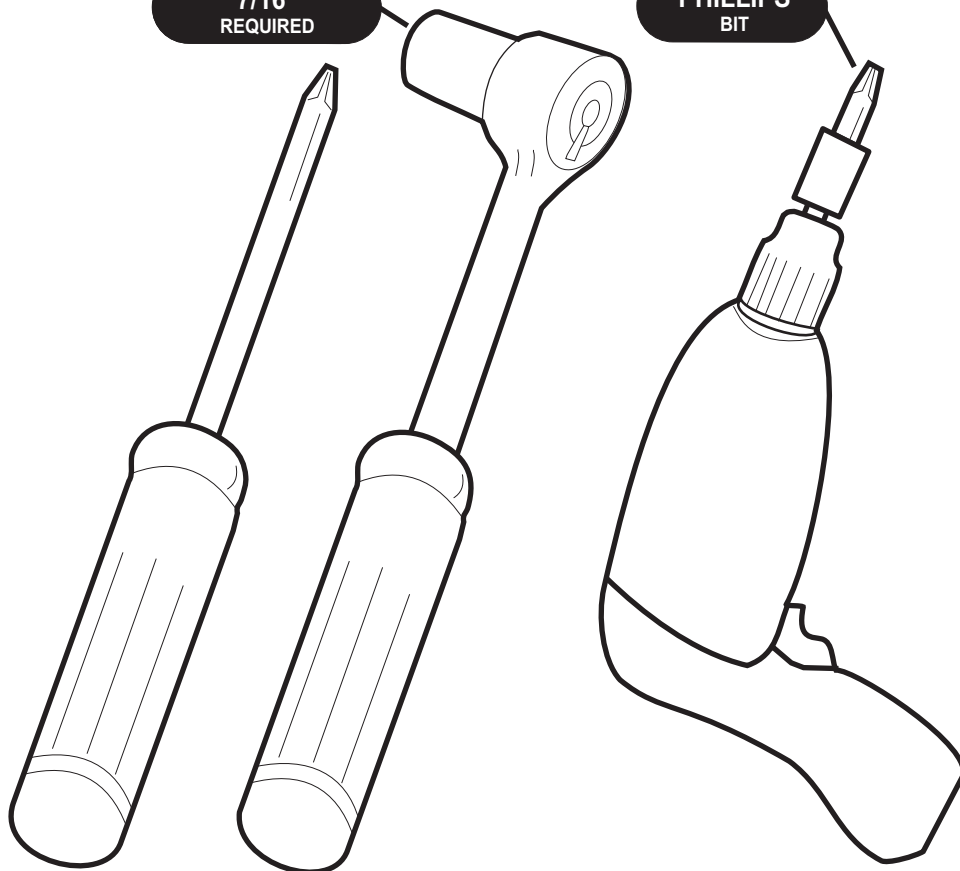


CAUTION:

Parts may have sharp edges. For your safety wear leather work gloves and handle parts carefully during unpacking and assembly.

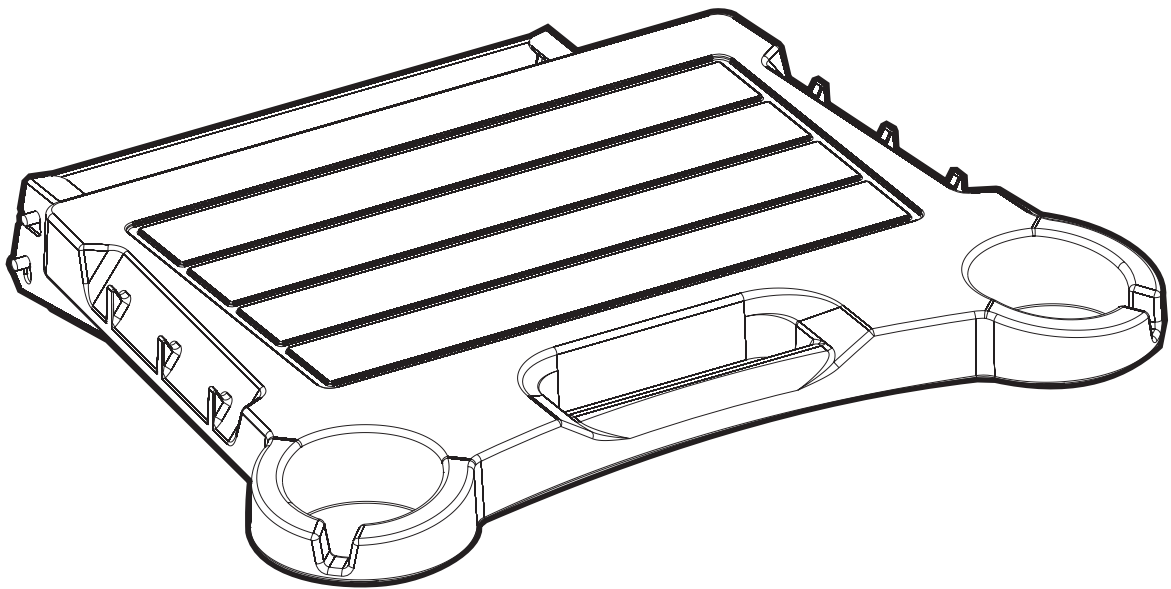
7/16"
REQUIRED

PHILLIPS
BIT



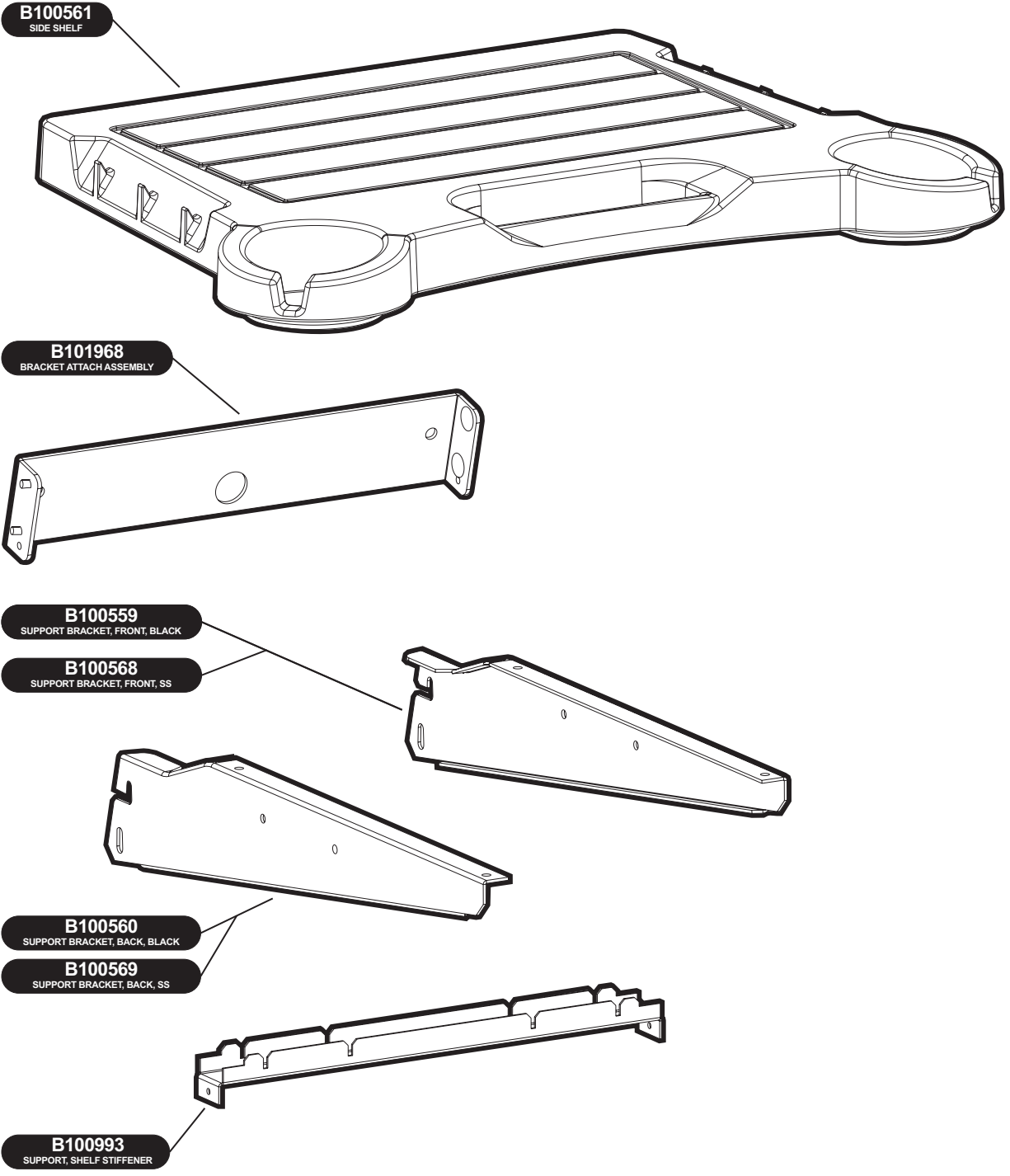
TOOLS
REQUIRED

BROILMASTER®
PREMIUM GRILLS

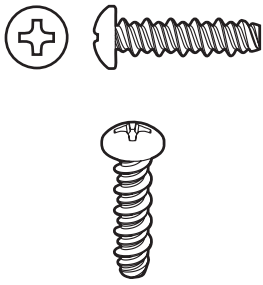


SKFB2-1, SKFPB2-1
SOLID SURFACE DROP-DOWN SHELF KIT

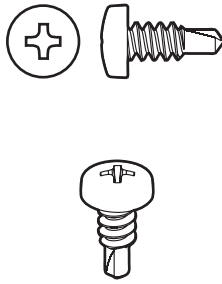
SKFB2 & SKFPB2 PARTS DIAGRAM



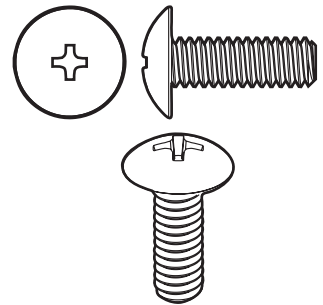
SKFB2 & SKFPB2 HARDWARE PACK - B101658



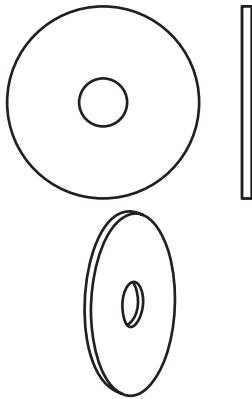
PHILLIPS PAN HEAD SCREW,
10-16 X 3/4
B100563
(4)



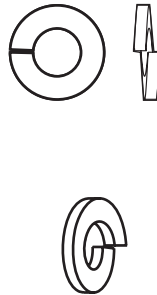
SELF-DRILLING PHILLIPS PAN HEAD SCREW,
SS, 10-16 X 1/2
R4059
(2)



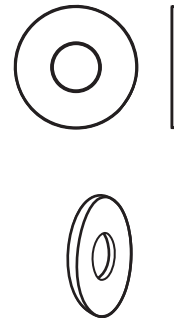
PHILLIPS TRUSS HEAD SCREW,
SS, 1/4-3/4
B072217
(2)



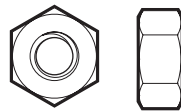
FLAT WASHER,
SS, 1/4 ID X 1
OD
B101640
(2)



LOCK WASHER,
1/4 ID X 1/2 OD
B076333
(2)



FLAT WASHER,
1/4 ID X 5/8 OD
B076332
(2)

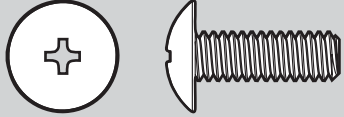


HEX NUT,
SS, 1/4-20
B076331
(2)

Standard hardware items such as bolts, screws, washers, and nuts can be purchased at your local hardware store. Do not order individual pieces of standard hardware. A replacement hardware pack may be ordered using the hardware pack part number at the top of the page.

SOLID SURFACE DROP-DOWN SIDE SHELF INSTALLATION

PHILLIPS TRUSS HEAD SCREW,
SS, 1/4-20 X 3/4
B072217 (2)



FLAT WASHER,
1/4 ID X 5/8 OD
B076332 (2)



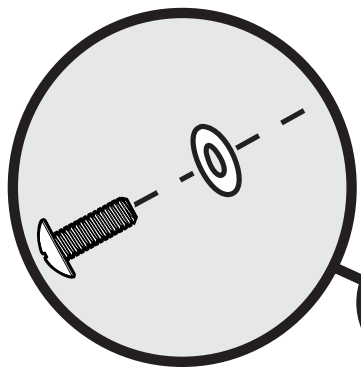
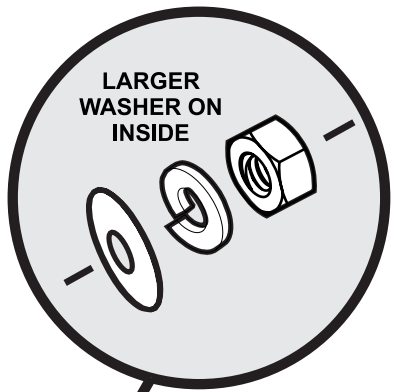
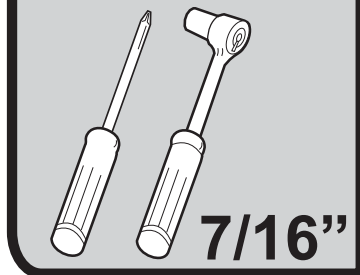
FLAT WASHER,
SS, 1/4 ID X 1 OD
B101640 (2)



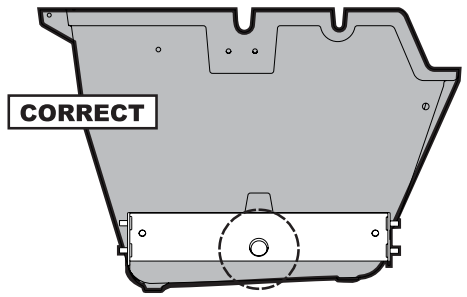
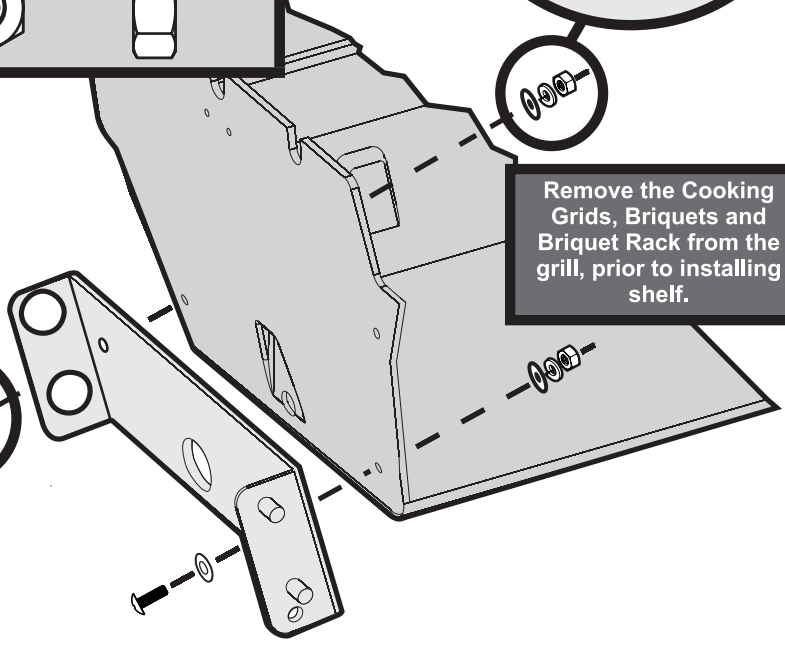
LOCK WASHER,
1/4 ID X 1/2 OD
B076333 (2)



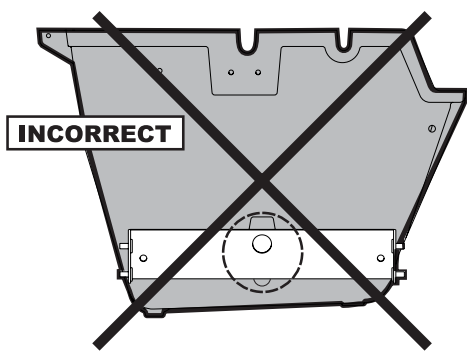
HEX NUT,
SS, 1/4-20
B076331 (2)



Remove the Cooking
Grids, Briquets and
Briquet Rack from the
grill, prior to installing
shelf.

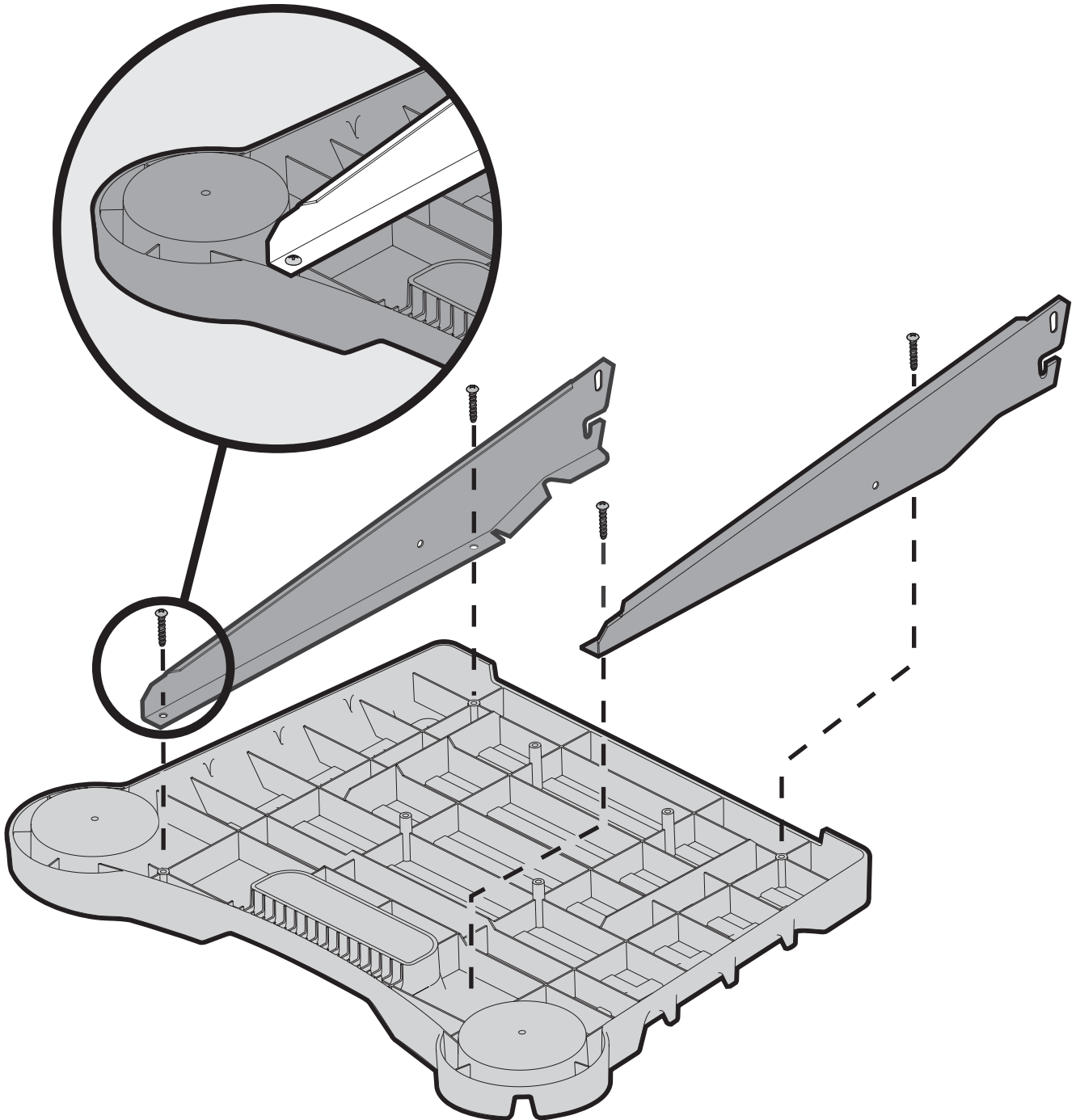
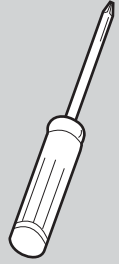
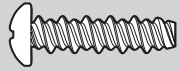


Ensure that the Side
Shelf Bracket Assembly
is installed so that the
Match Light Access
Hole is on the bottom.



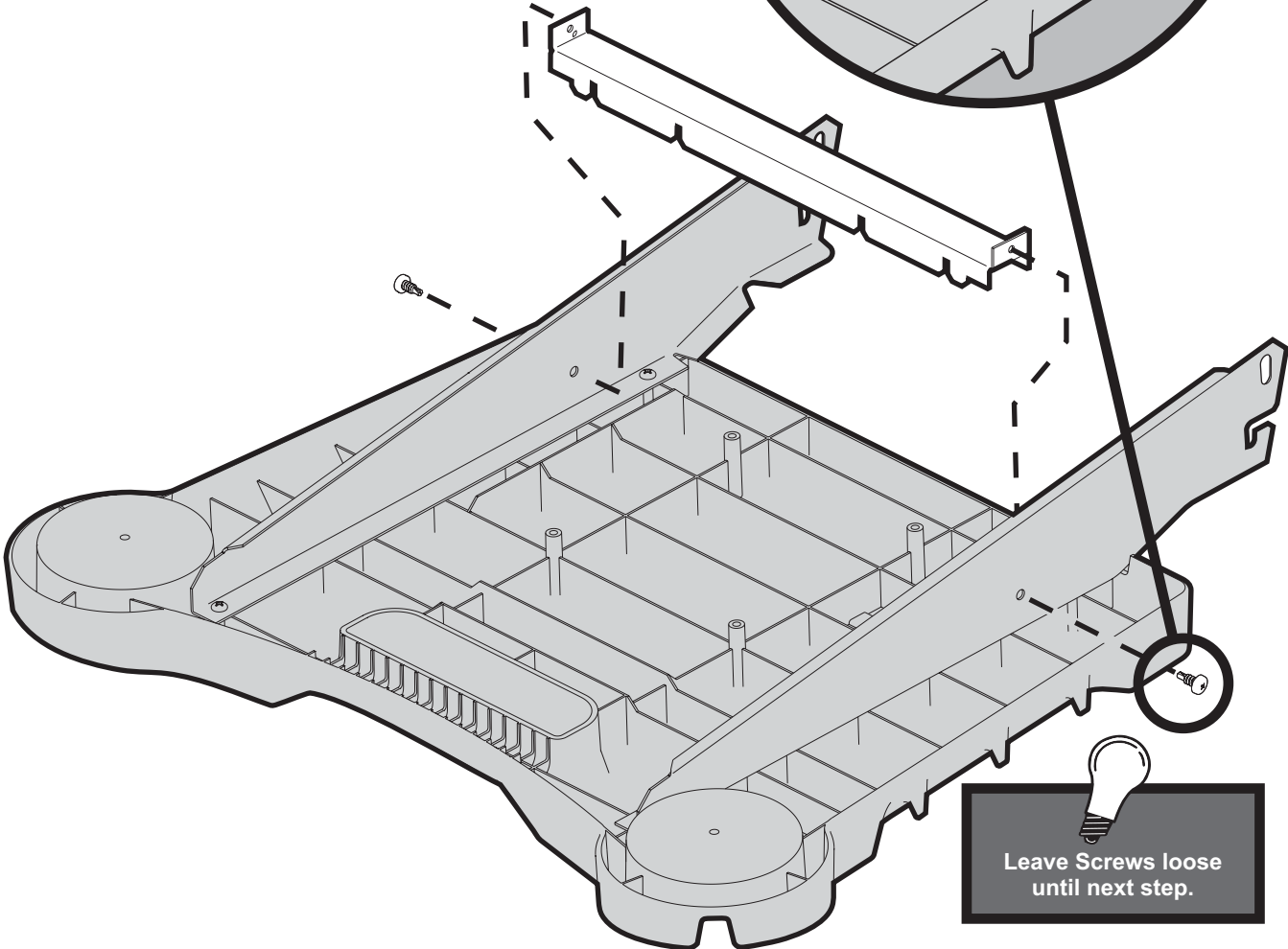
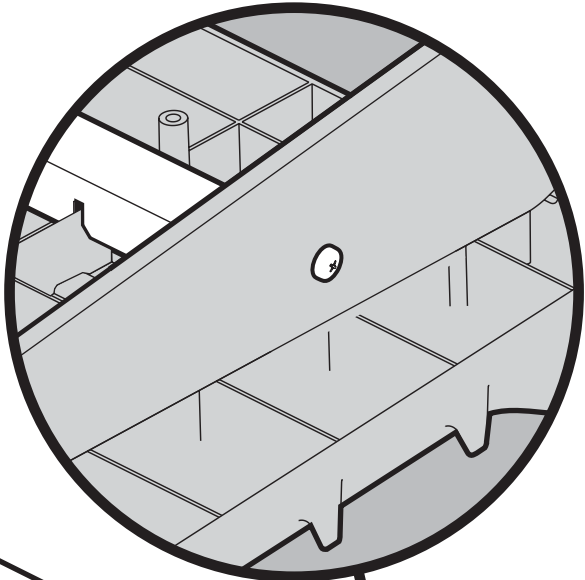
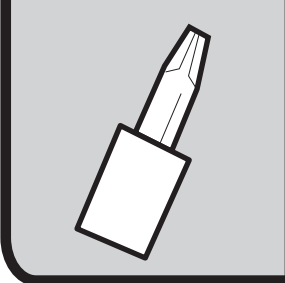
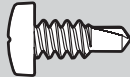
SOLID SURFACE DROP-DOWN SIDE SHELF INSTALLATION

PHILLIPS PAN HEAD SCREW,
10-16 X 3/4
B100563 (4)



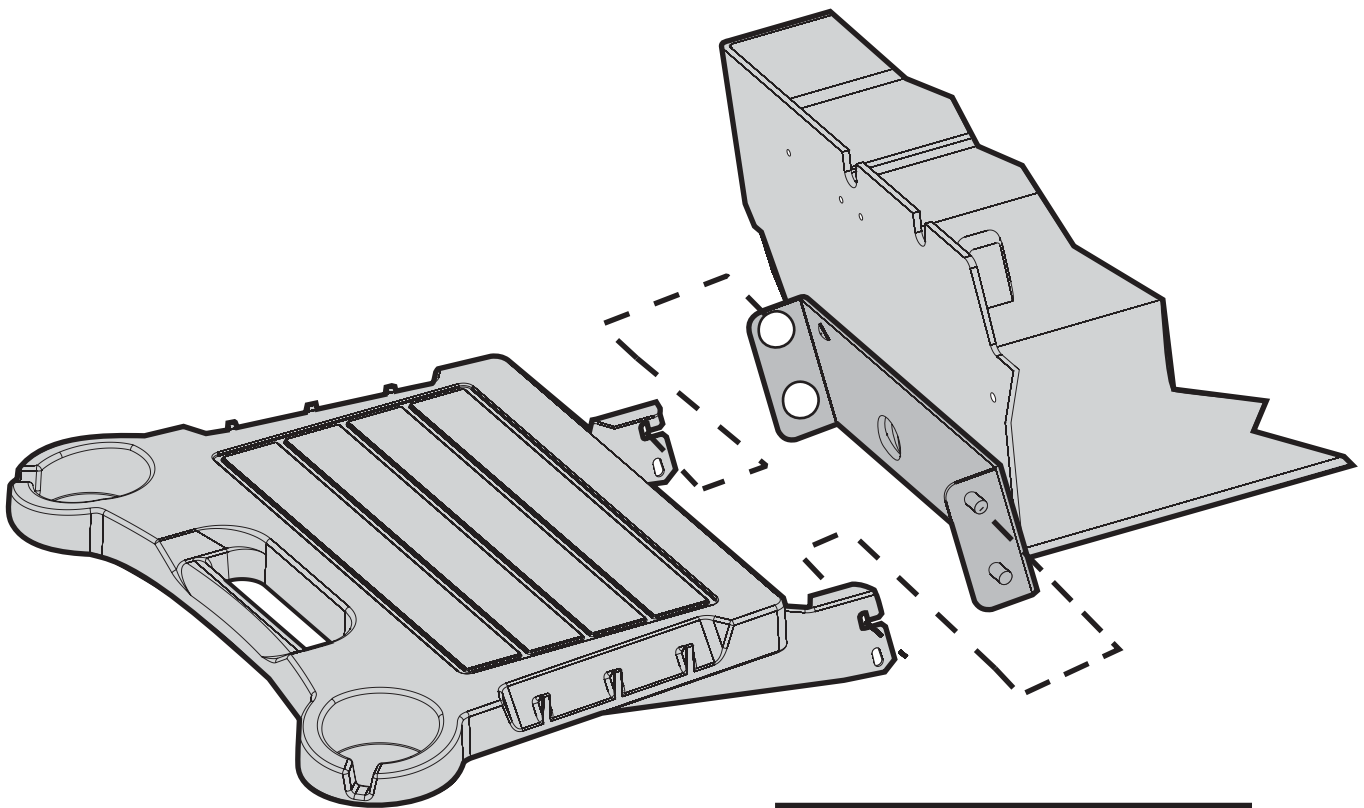
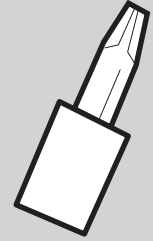
SOLID SURFACE DROP-DOWN SIDE SHELF INSTALLATION

SELF-DRILLING PHILLIPS PAN HEAD SCREW,
SS, 10-16 X 1/2
R4059 (2)



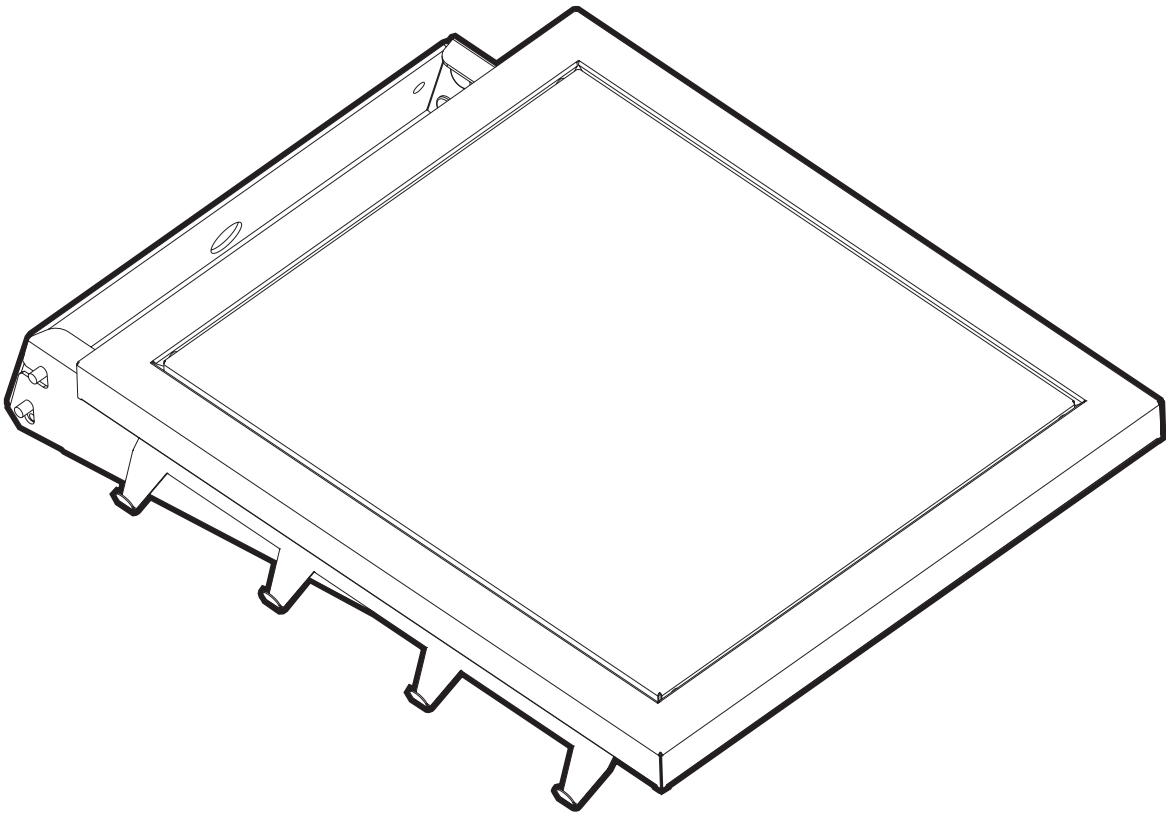
Leave Screws loose
until next step.

SOLID SURFACE DROP-DOWN SIDE SHELF INSTALLATION



Hang the side Brackets on the lower Pins of the Bracket attach assembly. Tighten the two 10-16 x 1/2 Phillips screws from previous step. Replace components removed from grill after installing shelf.

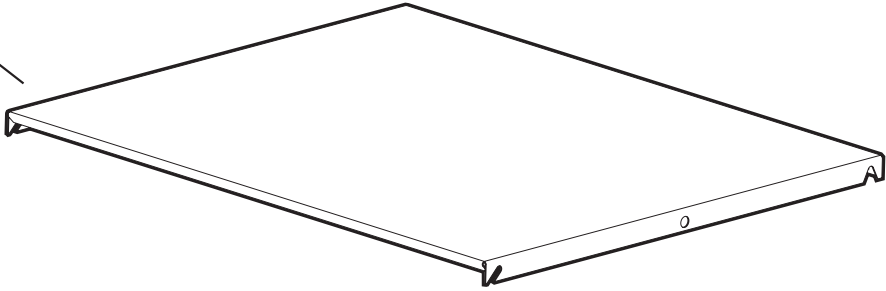
BROILMASTER®
PREMIUM GRILLS



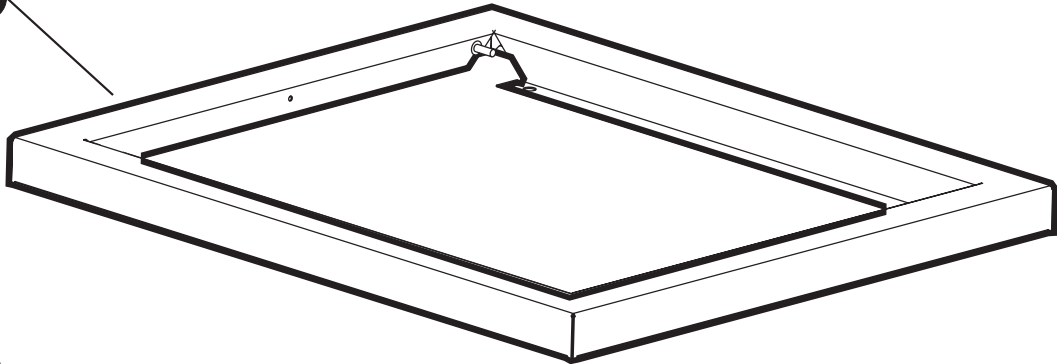
DPA153-1
STAINLESS-STEEL DROP-DOWN SHELF KIT

DPA153 PARTS DIAGRAM

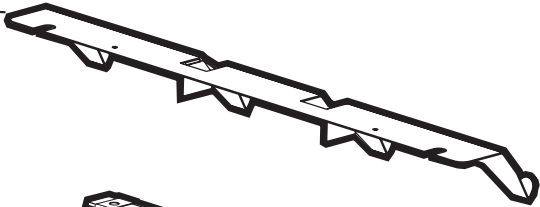
B102140
SHELF LID



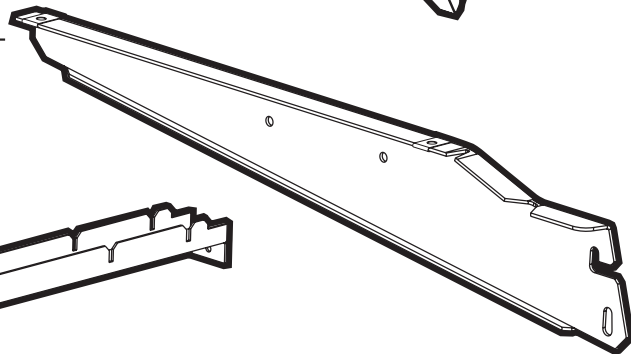
B101930
SHELF FRAME



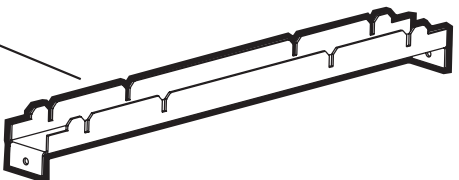
B101925
HOOK BRACKET



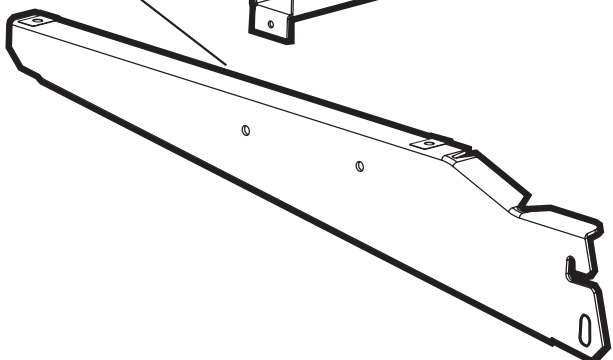
B102172
SUPPORT BRACKET, BACK, SS



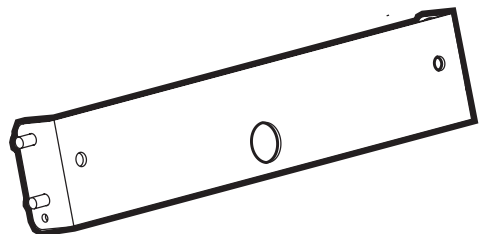
B100993
SUPPORT, SHELF STIFFENER



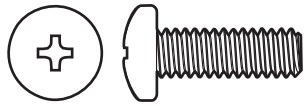
B102173
SUPPORT BRACKET, FRONT, SS



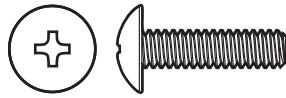
B101968
BRACKET ATTACH ASSEMBLY



DPA153 HARDWARE PACK - B102154



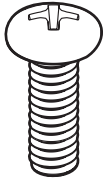
PHILLIPS PAN HEAD SCREW,
SS, 1/4-20 X 3/4
B072217
(2)



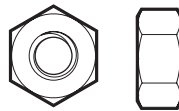
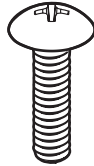
PHILLIPS TRUSS HEAD SCREW,
10-24 X 3/4
B076522
(4)



SELF-DRILLING PHILLIPS PAN HEAD SCREW,
SS, 10-16 X 1/2
R4059
(4)



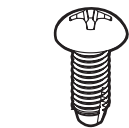
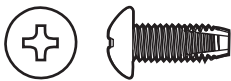
PHILLIPS PAN HEAD TYPE F SCREW,
SS, 10-32 X 1/2
R11387
(2)



HEX NUT,
SS, 1/4-20
B076331
(2)



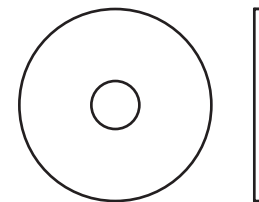
LOCK WASHER,
1/4 ID X 1/2 OD
B076333
(2)



FLAT WASHER,
SS, 1/4 ID X 5/8
OD
B076332
(2)



U-CLIP, NUT
SS, 10-24
SPEED
B072223
(4)



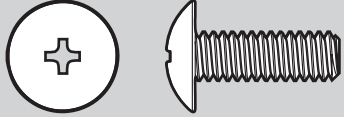
FLAT WASHER,
SS, 1/4 ID X 1
OD
B101640
(2)

NOT IN HARDWARE
PACK - PRE-INSTALLED
ON SHELF
ARMS

Standard hardware items such as bolts, screws, washers, and nuts can be purchased at your local hardware store. Do not order individual pieces of standard hardware. A replacement hardware pack may be ordered using the hardware pack part number at the top of the page.

STAINLESS STEEL DROP-DOWN SIDE SHELF INSTALLATION

PHILLIPS TRUSS HEAD SCREW,
SS, 1/4-20 X 3/4
B072217 (2)



FLAT WASHER,
1/4 ID X 5/8 OD
B076332 (2)



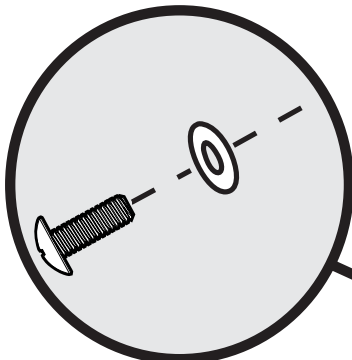
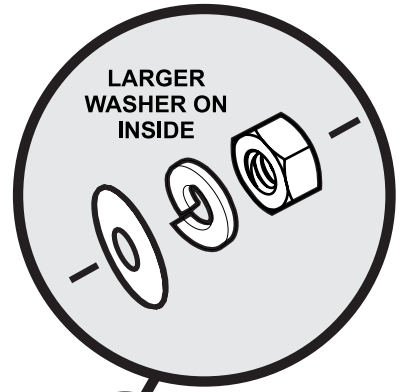
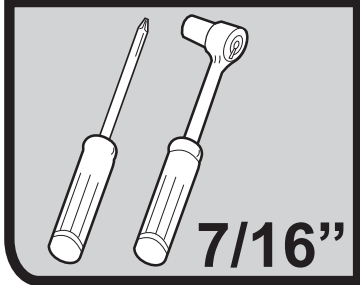
FLAT WASHER,
SS, 1/4 ID X 1 OD
B101640 (2)



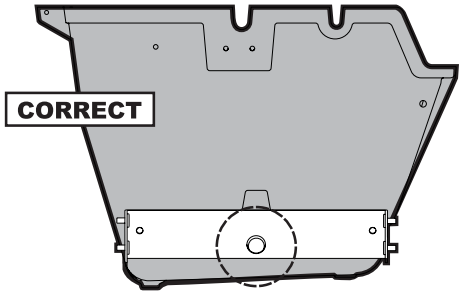
LOCK WASHER,
1/4 ID X 1/2 OD
B076333 (2)



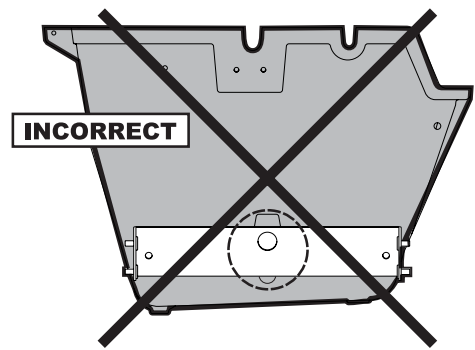
HEX NUT,
SS, 1/4-20
B076331 (2)



Remove the Cooking
Grids, Briquets and
Briquet Rack from the
grill, prior to installing
shelf.

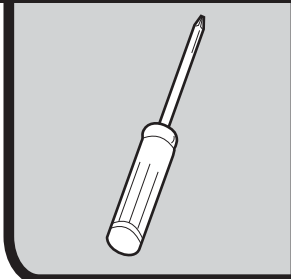
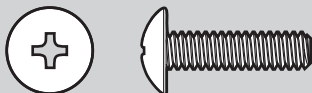


Ensure that the Side
Shelf Bracket Assembly
is installed so that the
Match Light Access
Hole is on the bottom.

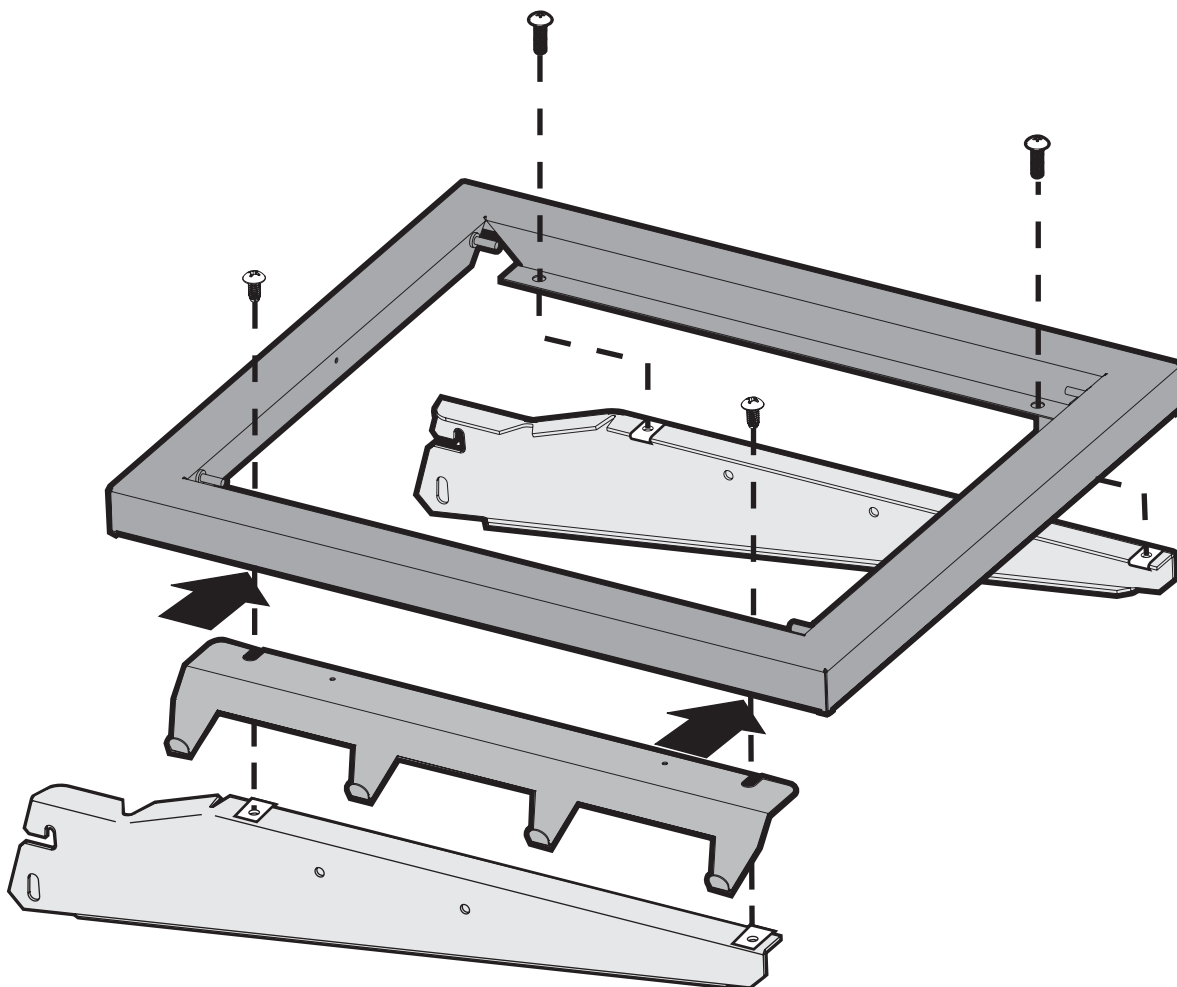


STAINLESS STEEL DROP-DOWN SIDE SHELF INSTALLATION

PHILLIPS TRUSS HEAD SCREW,
10-24 X 3/4
B076522 (4)

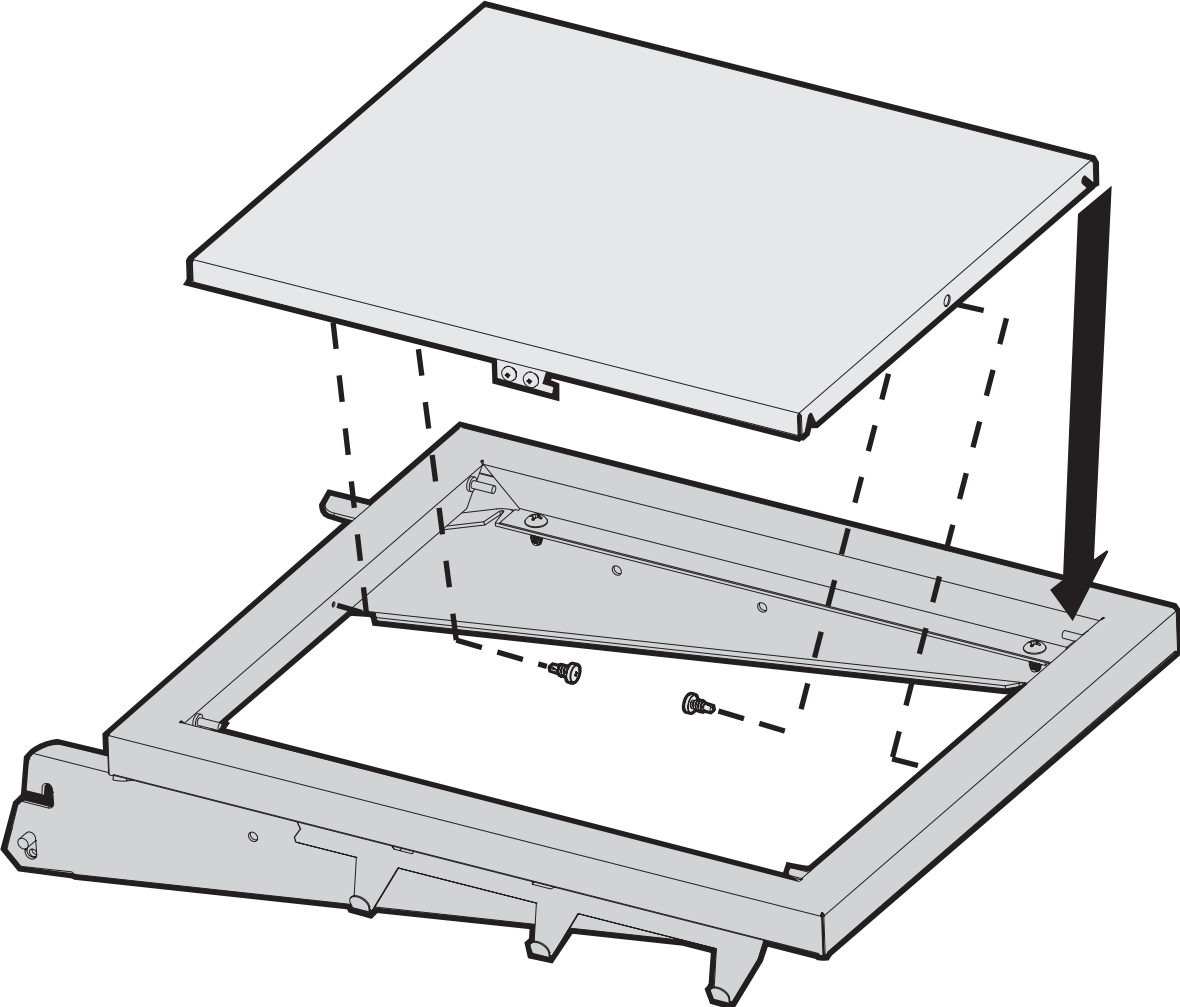
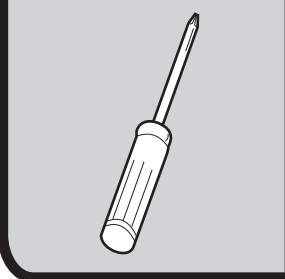
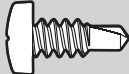


If a side-burner is to be installed,
refer to its instruction manual
previous to this step.



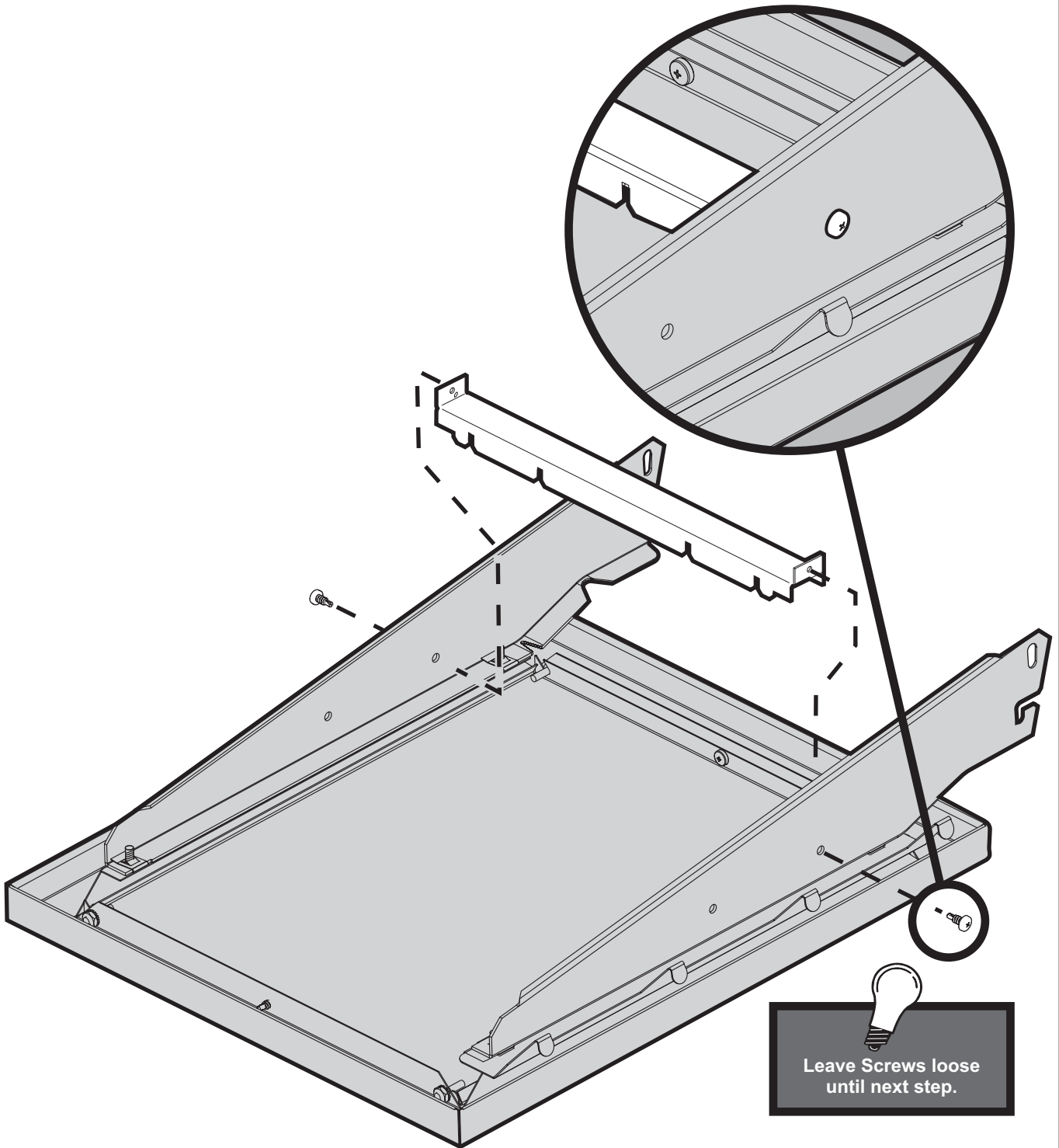
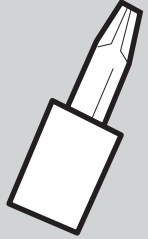
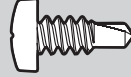
STAINLESS STEEL DROP-DOWN SIDE SHELF INSTALLATION

SELF-DRILLING PHILLIPS PAN HEAD SCREW,
SS, 10-16 X 1/2
R4059 (2)

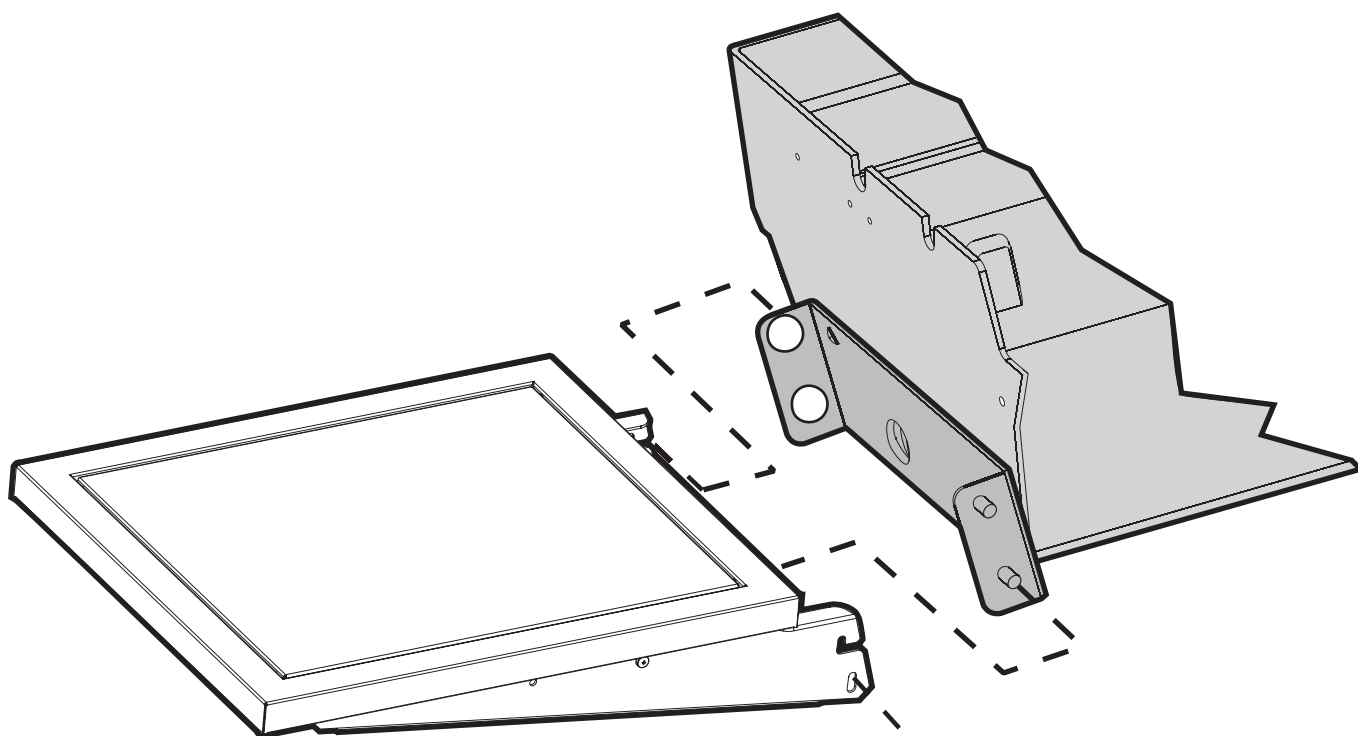


STAINLESS STEEL DROP-DOWN SIDE SHELF INSTALLATION

SELF-DRILLING PHILLIPS PAN HEAD SCREW,
SS, 10-16 X 1/2
R4059 (2)



STAINLESS STEEL DROP-DOWN SIDE SHELF INSTALLATION



Hang the side Brackets on the lower Pins of the Bracket attach assembly. Tighten the two 10-16 x 1/2 Phillips screws from previous step. Replace components removed from grill after installing shelf.

MASTER PARTS DISTRIBUTOR LIST

To order parts under warranty, please contact your local Broilmaster dealer. See the dealer locator at www.broilmaster.com.

To provide warranty service, your dealer will need your name and address, purchase date and serial number, and the nature of the problem. Please keep your receipt to establish ownership and date of purchase.

To order parts after the warranty period, please contact your dealer or one of the Master Parts Distributors listed below.

The Master Parts Distributor list changes from time to time. For the current list go to www.broilmaster.com and click on the Parts button.

Note: Master Parts Distributors are independent businesses that stock the most commonly ordered repair parts.

Dey Distributing

1401 Willow Lake Boulevard
Vadnais Heights, MN 55101

Phone: 651-490-9191

Toll Free: 800-397-1339

Website: www.deydistributing.com

Parts: Heater, Hearth and Grills

Victor Division of F. W. Webb Company

200 Locust Street
Hartford, CT 06114

Phone: 860-722-2433

Toll Free: 800-243-9360

Fax: 860-293-0479

Toll Free Fax: 800-274-2004

Websites: www.fwwebb.com & www.victormfg.com

Parts: Heater, Hearth and Grills

East Coast Energy Products

10 East Route 36
West Long Branch, NJ 07764

Phone: 732-870-8809

Toll Free: 800-755-8809

Fax: 732-870-8811

Website: www.eastcoastenergy.com

Parts: Heater, Hearth and Grills

HOW TO ORDER REPAIR PARTS

Parts Not Under Warranty

Parts can be ordered through your Service Person, Dealer, or a Master Parts Distributor. See this page for the Master Parts Distributors list. For best results, the **service person or dealer** should order parts through the distributor. Parts can be shipped directly to the **service person/dealer**.

Warranty Parts

Warranty parts will need a proof of purchase and can be ordered by your Service Person or Dealer. Proof of purchase is **required** for warranty parts.

All parts listed in the Parts List have a Part Number. When ordering parts, first obtain the Model Number and Serial Number from the name plate on your equipment. Then determine the Part Number (**not** the Index Number) and the Description of each part from the following illustration and part list. Be sure to give all this information . . .

Model Number / Dealer _____ Part Description _____

Serial Number / Dealer Phone Number _____ Part Number _____

Type of Gas (Propane or Natural) _____

Do not order bolts, screws, washers or nuts. They are standard hardware items and can be purchased at any local hardware store.

Shipments contingent upon strikes, fires and all causes beyond our control.

Your Broilmaster Premium Gas Grill is identified by model number, serial number, and gas type. This information is provided on a product identification label located on the grill's control panel. For your convenience, complete this section for future reference when contacting your dealer.

BROILMASTER®
PREMIUM GRILLS

BROILMASTER

A Division of Empire Comfort Systems, Inc.

918 Freeburg Ave.

Belleville, Illinois 62220

VISIT OUR WEB SITE AT www.broilmaster.com

If you have a general question about our products, please e-mail us at info@empirecomfort.com.

If you have a service or repair question, please contact your dealer.