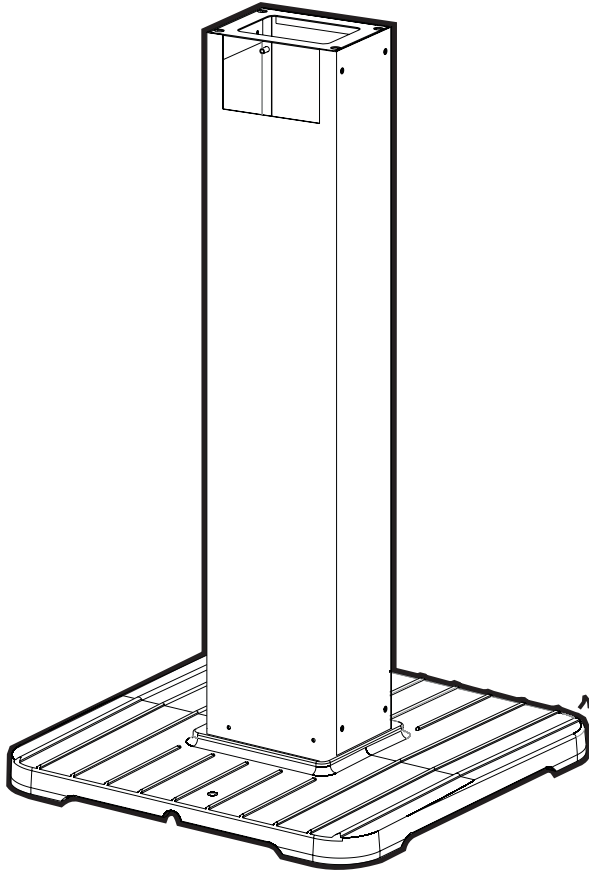


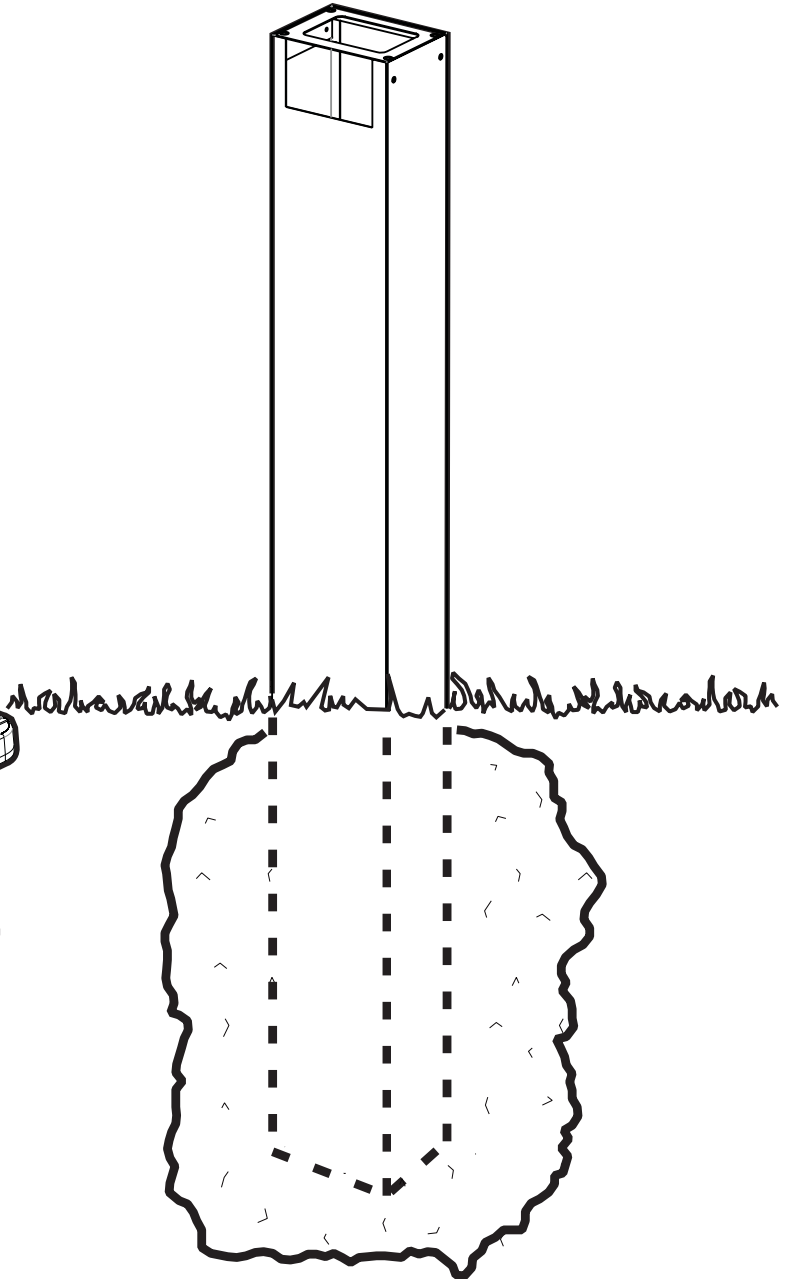


BROILMASTER[®] PREMIUM GRILLS



PATIO BASE KIT

BL26P-2
SS26P-2



IN-GROUND POST

BL48G-2
SS48G-2

RETAIN OWNER'S MANUAL FOR FUTURE REFERENCE.

IMPORTANT INFORMATION

IMPORTANT

This manual should be read thoroughly by the installer and by anyone who will use or maintain the grill.

Installer - Write the model number, serial number, and date of installation in the manual. If available, attach a copy of the receipt. Leave this manual with the grill owner.

Grill Owner - Read and retain this manual. It contains instructions on using and maintaining your grill, plus information on ordering replacement parts. Attach a copy of your receipt to this manual. Your receipt established the proof of purchase required for warranty replacement parts.

⚠ WARNING

Follow the instruction in this manual for proper installation and maintenance of the grill. Improper installation, adjustment, alteration, service or maintenance can cause injury or property damage. For assistance or additional information consult a qualified installer, service agency or the gas supplier.

⚠ WARNING: FOR YOUR SAFETY

Do not store or use gasoline or other flammable vapors or liquids in the vicinity of this or any appliance.

⚠ CAUTION:

Parts may have sharp edges. Wear leather work gloves and handle parts carefully during unpacking, assembly and installation.

Thank you for purchasing a Broilmaster Grill Post Accessory.

Broilmaster takes pride in its reputation as the The Most Durable Grill Known to Man.

From its thick aluminum casting to its massive cooking grids, your Broilmaster is built to last. In fact we still make replacement parts for Broilmaster grills built more than 30 years ago.

Visit www.broilmaster.com and click on the Hall of Fame to see a sampling of our long-time customers. We hope you enjoy years of great meals prepared on your Broilmaster. And we hope to add your photo to the Hall of Fame one day.

Thank You!

Broilmaster is a registered trademark of

Empire Comfort Systems, Inc.

918 Freeburg Ave.

Belleville, Illinois 62220

Telephone 800-851-3153

TABLE OF CONTENTS

You have chosen the finest grill for your outdoor cooking pleasure.

Please take time to read this entire manual before assembling your Broilmaster Grill Accessory.

ASSEMBLY INSTRUCTIONS	5
IMPORTANT INFORMATION	6
BL48G-2, SS48G-2 IN-GROUND POST SECTION	7 - 16
IN-GROUND POST PARTS DIAGRAM.....	8
POST HARDWARE PACK - B101999.....	9
INSERT FLEX LINE THROUGH	10
PLACE POST IN GROUND	11
ATTACH UPPER BRACKET	12
GREASE CUP HOLDER PLACEMENT	13
ATTACH BOTTOM CASTING TO POST.....	14
ATTACH POST COVER PLATE UPPER BRACKET (R3 ONLY)	15
GREASE CUP AND ACCESS DOOR PLACEMENT	16
BL26P-2, SS26P-2 PATIO BASE SECTION	17 - 27
PATIO BASE PARTS DIAGRAM	18
PATIO BASE HARDWARE PACK - B102255.....	19
ATTACH LOWER BRACKET.....	20
ATTACH BASE TO POST	21
INSERT FLEX LINE THROUGH POST.....	22
ATTACH UPPER BRACKET	23
GREASE CUP HOLDER PLACEMENT	24
ATTACH BOTTOM CASTING TO POST.....	25
ATTACH POST COVER PLATE UPPER BRACKET (R3 & R3B ONLY).....	26
GREASE CUP AND ACCESS DOOR PLACEMENT	27
GRILL MAINTENANCE HISTORY	28 - 30
MASTER PARTS DISTRIBUTOR LIST	31
HOW TO ORDER REPAIR PARTS	31

ASSEMBLY INSTRUCTIONS

Before You Begin

Compare the parts in the box to the parts list provided in this manual. If any are missing, contact your Broilmaster dealer before beginning assembly.

All Broilmaster grills require some assembly. For the best results, follow the step-by-step instructions.

For natural gas grills, have your gas supplier run service to the desired location first.

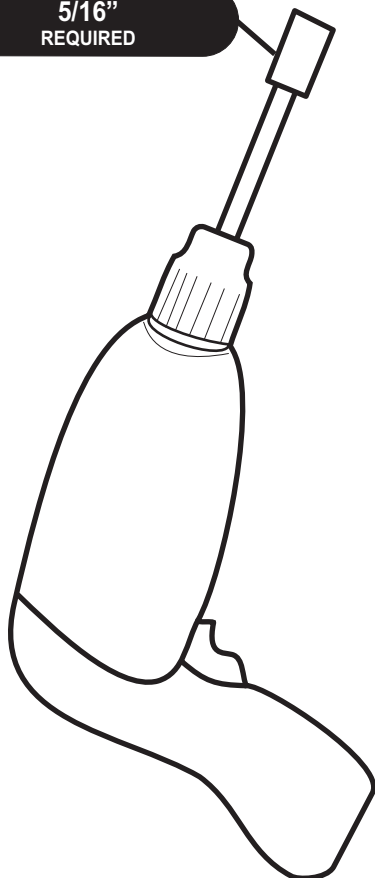
If you purchased an accessory with your Broilmaster, follow the instructions provided.



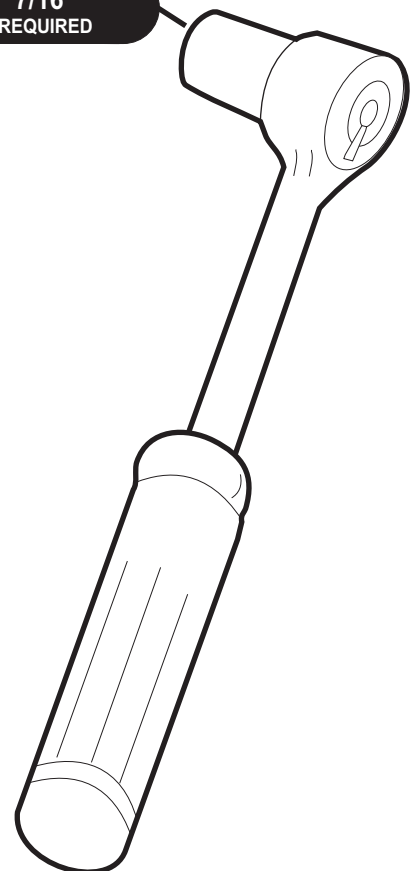
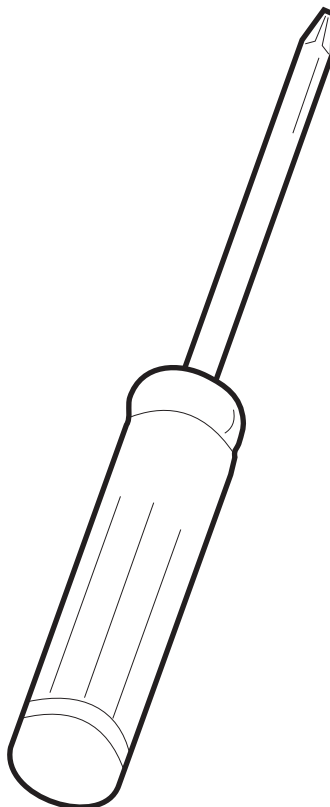
CAUTION:

Parts may have sharp edges. For your safety wear leather work gloves and handle parts carefully during unpacking and assembly.

5/16"
REQUIRED



7/16"
REQUIRED



TOOLS
REQUIRED

IMPORTANT INFORMATION

Grill Location

This grill is designed for outdoor use only.

Never operate your grill in any building, garage, or other enclosed area. Never operate your grill in a recreational vehicle or boat. Never operate your grill under any combustible materials, such as carports, covered porches, awnings, or overhangs.

⚠ CAUTION

Keep the sides of the grill at least 16 inches from any combustible material. Keep the back of the grill at least 18 inches from any combustible material. Placing a hot grill too close to a building or other combustible material may lead to fire, property damage, or personal injury. Combustible materials include fences, patio furniture, and your home.

Keep the area around the grill clear to ensure proper ventilation.

⚠ WARNING

Do not install or operate this grill where gasoline or other flammable materials are used or stored. Failure to comply with this warning could result in explosion or fire causing property damage or personal injury.

Gas Type

The type gas required for your grill can be determined from the product identification label located on the grill's control panel. Questions regarding different types of gases should be directed to your local gas supplier.

⚠ CAUTION

Never use Liquid Propane (LP) gas in a grill designed for Natural gas, or Natural gas in a grill designed for Liquid Propane gas. Questions regarding different types of gases should be directed to your local gas company.

Connection Requirements

Broilmaster natural gas grills are not equipped with pressure regulators. Your gas grill operates at a manifold pressure of seven inches water column. (Your natural gas technician will understand what this means.)

Arrange with your local gas company or licensed contractor to have a gas supply line connected to the inlet of the stainless steel flex tube assemble. The gas supply must have a shutoff valve that is close to the post in case of emergency and must be shutoff when the grill is not in use.

Connect your grill this coupling using the twelve foot flexible hose with a quick disconnect fitting (available for purchase from

your Broilmaster dealer.)

Installing old grill head P3 or P4 to new in-ground post. A B101668 kit will need to be used to cover the opening in the post. See instructions with the kit for further installation information.

⚠ CAUTION

The grill and its individual shutoff valve must be disconnected from the gas supply piping system during any system pressure testing at test pressures in excess of 1/2 PSIG.

⚠ CAUTION

The grill must be isolated from the gas supply piping system by closing its individual manual shutoff valve during any pressure testing of the gas supply piping system at test pressures equal to or less than 1/2 PSIG.

Cleaning

The exterior of your cart or post may be cleaned with hot water and mild detergent as needed.

Touch-up paint is available through your Broilmaster® dealer.

Stainless steel surfaces may be cleaned with a spray-on stainless steel cleaner available at most hardware stores.

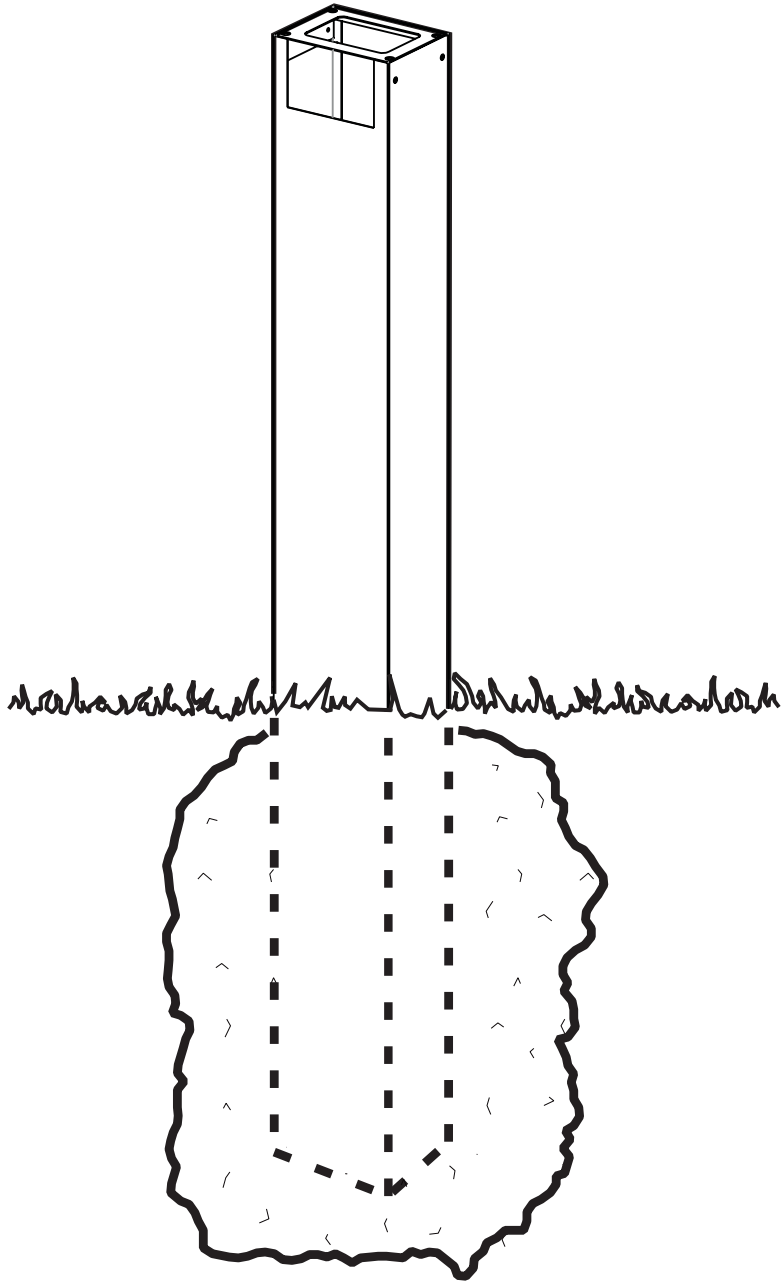
Important: Do not use harsh or abrasive cleaners! Your cart or post has a highly polished surface and may be easily scratched.

Periodic Inspection and Maintenance

Periodic inspections and maintenance are essential. All Broilmaster Grill products or mechanical devices eventually begin to wear due to environment, contaminants, corrosion or aging. Inspect all components at least twice per year and replace any that show wear.

If any parts are damaged or missing, you may order parts from your local Broilmaster® dealer. Please refer to the Parts Diagram and Parts List sections of this manual for more detailed information.

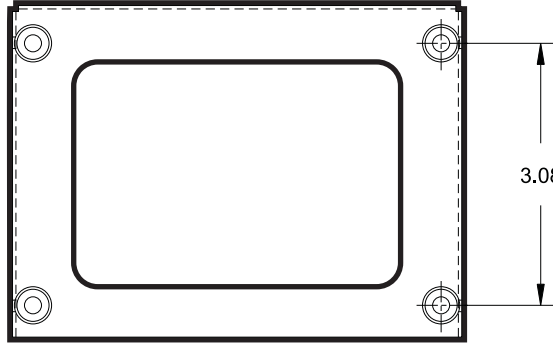
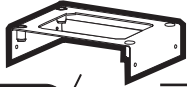
BROILMASTER®
PREMIUM GRILLS



BL48G-2, SS48G-2
ONE PIECE IN-GROUND POST

IN-GROUND POST PARTS DIAGRAM

B101760 (1)
UPPER BRACKET ASSEMBLY



3.08

B101674 (1)
POST ASSEMBLY, SS

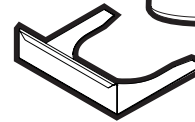
B101672 (1)
POST ASSEMBLY, BLACK



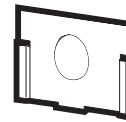
B101473 (1)
GREASE CUP



B101628 (1)
GREASE CUP HOLDER

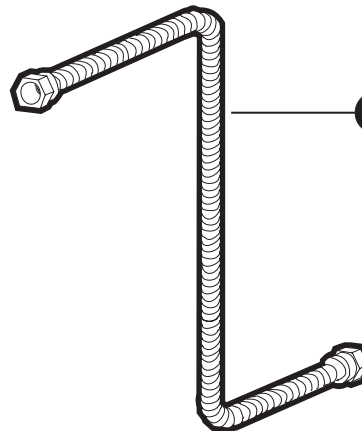


B101630 (1)
POST ACCESS DOOR

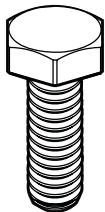
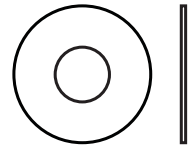
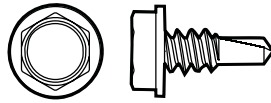
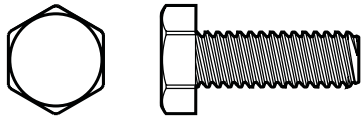


FRONT

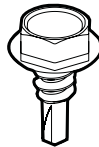
B076519 (1)
FLEX LINE



POST HARDWARE PACK - B101999



HEX HEAD BOLT,
SS, 1/4-20 X 3/4
B063096
(4)



HEX HEAD SCREW, SELF DRILL
SS, 10 X 1/2
B101569
(5)

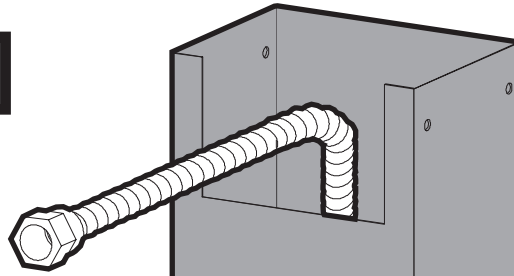


FLAT WASHER,
SS, 1/4 ID X 5/8
OD
B076332
(4)

Standard hardware items such as bolts, screws, washers, and nuts can be purchased at your local hardware store. Do not order individual pieces of standard hardware. A replacement hardware pack may be ordered using the hardware pack part number at the top of the page.

INSERT FLEX LINE THROUGH

Patio Post, BL26P or Ss26 posts, skip to page 13.



Arrange with your local gas company or licensed contractor to have a gas supply line connected to inlet of stainless steel flex tube assembly. The gas supply line should be installed according to local codes to prevent damage from digging.

CAUTION: The gas supply line must be regulated (In the case of Natural gas that means connected after your gas meter and regulator) and that you have an easily accessible shut-off valve.

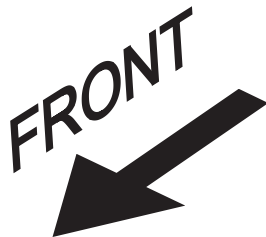
WARNING: Do not SUPPLY LP GAS to a grill designed for NATURAL GAS or NATURAL GAS designed for LP GAS.

At the access door connect a 3/8" flare coupling (not supplied by Empire) to the gas supply line and stainless steel tubing. Position the tubing in the top notch of the post. Bend the flex tube at the top end to match the Feed Line of the grill valve.

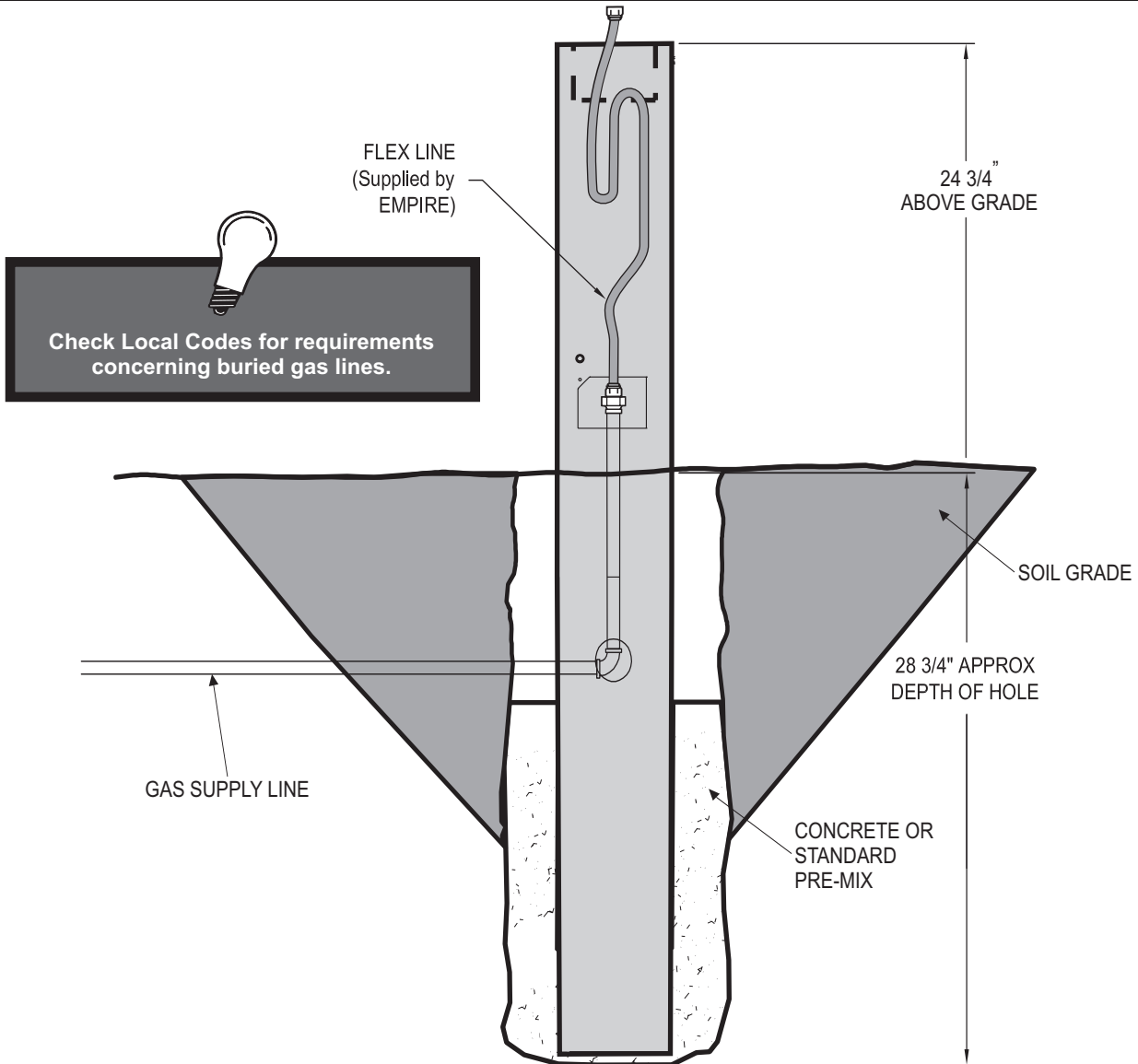
Note: Use pipe thread sealant or Teflon tape at the threads of each connection being careful to not allow any of these materials into the flare seat. Test for gas leaks as directed by the grill's Owners Manual



Do not attempt to cut or alter the flex tube in any way.



PLACE POST IN GROUND



1. Dig a posthole approximately 12" in diameter and 28 3/4" in depth at the desired grill location.

Note: "Normal Installation" height is achieved when the top of the 48" post is 24 3/4" above ground. This height provides a cooking surface height of approximately 34" above ground when grills are placed in the high level.

2. Carefully lower the in-ground post into the hole using the following guidelines:

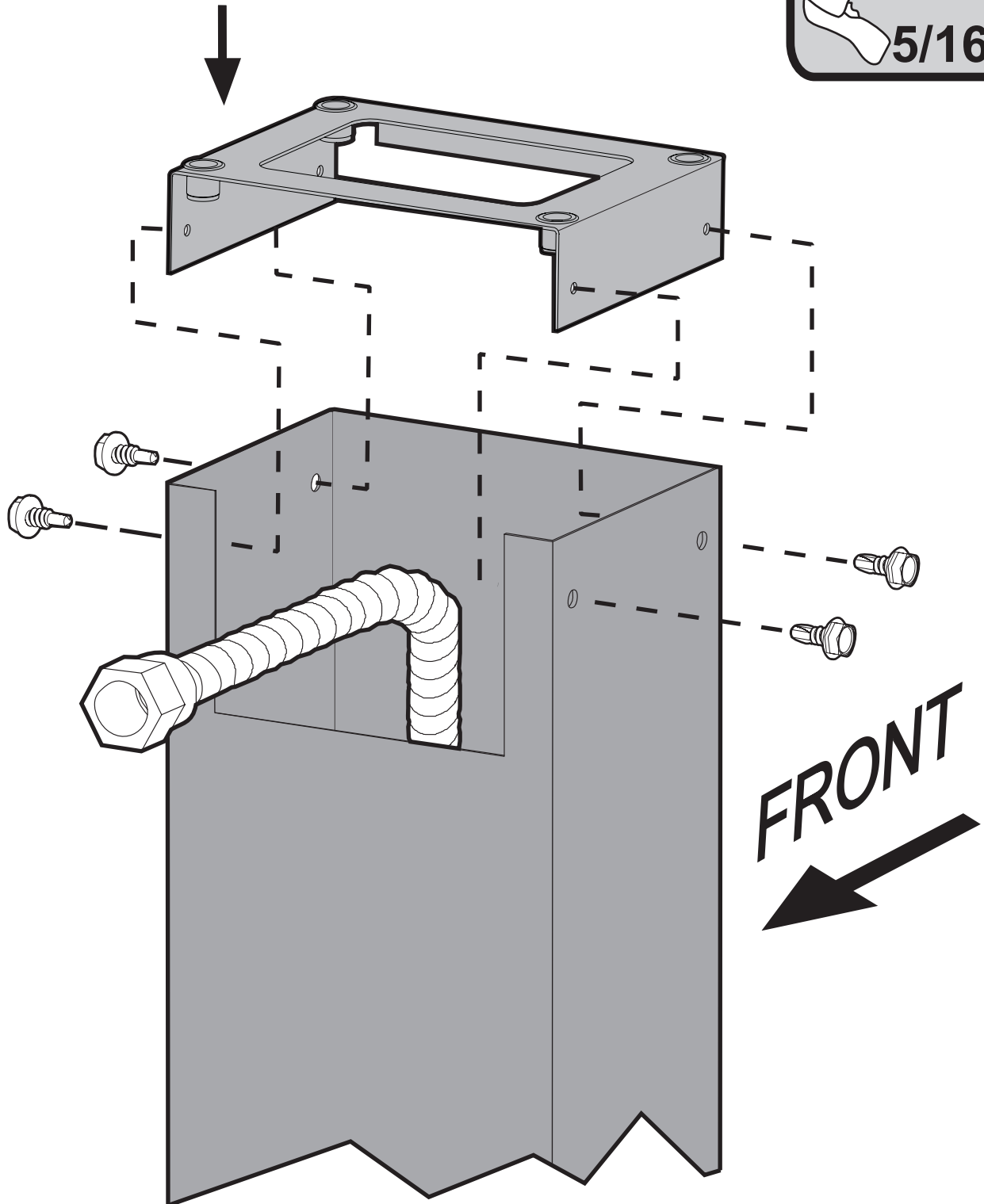
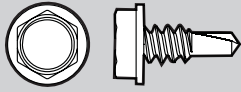
- The upper rectangular cut-out is located near the top of the post and should be above ground after installation.
- The rectangular cut-out must face in the same direction as the front of the grill.
- Hole depth and post measurements should be checked to ensure desired height.

Note: Make any adjustments at this time.

3. Prepare concrete or a standard pre-mix according to the manufacturer's package directions. Position the 48" post in the center of the hole. A level should be used when aligning the post to achieve precise vertical alignment. Hold the post in place while pouring the concrete mixture into the hole around the post. Keep concrete below gas line hole.

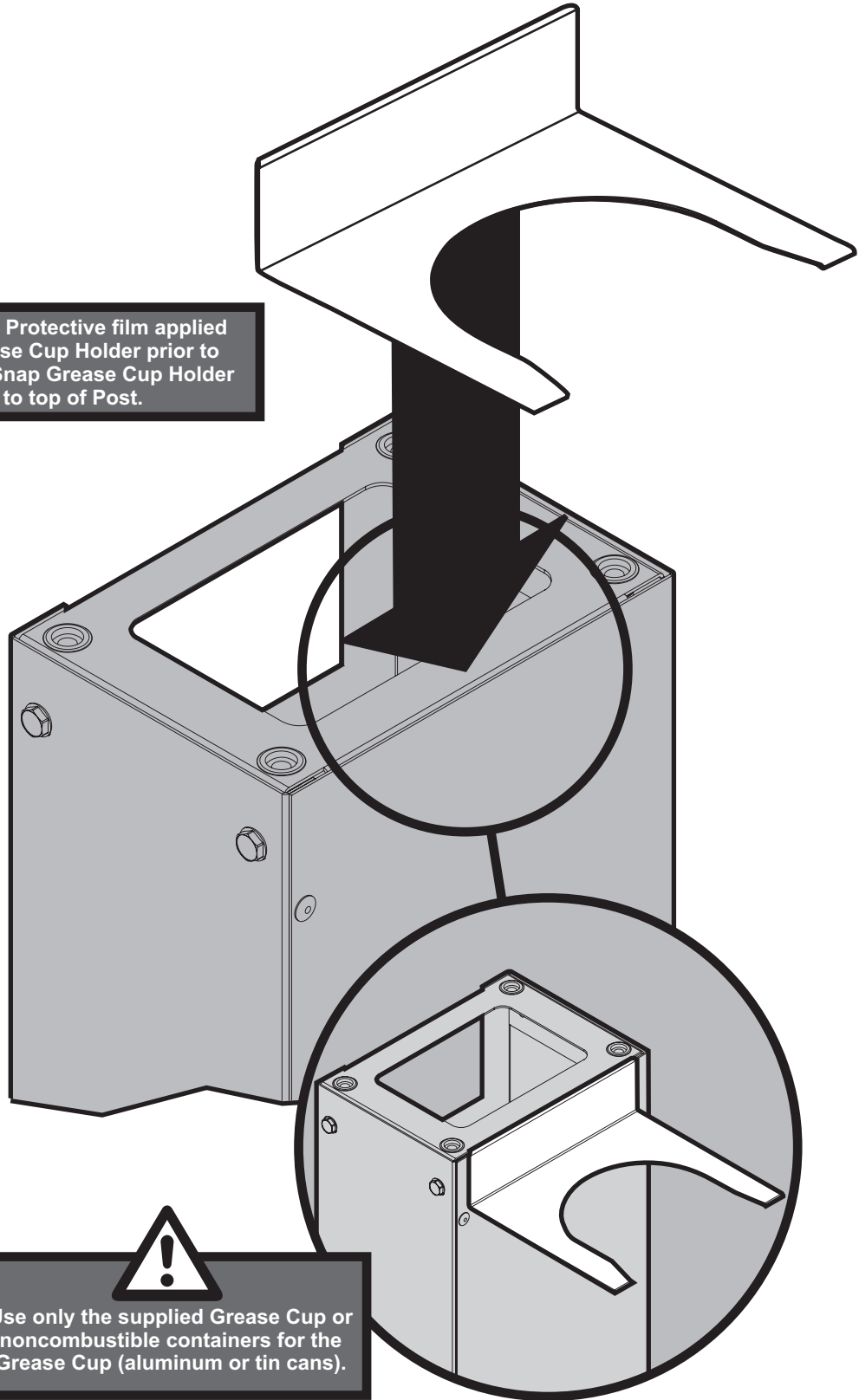
ATTACH UPPER BRACKET


HEX HEAD SCREW,
SS, 10 X 1/2
B101569 (4)



GREASE CUP HOLDER PLACEMENT

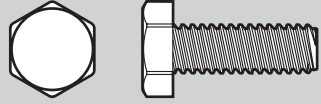
Remove Protective film applied to Grease Cup Holder prior to install. Snap Grease Cup Holder to top of Post.



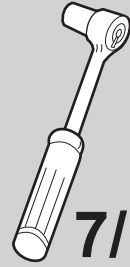

Use only the supplied Grease Cup or noncombustible containers for the Grease Cup (aluminum or tin cans).

ATTACH BOTTOM CASTING TO POST

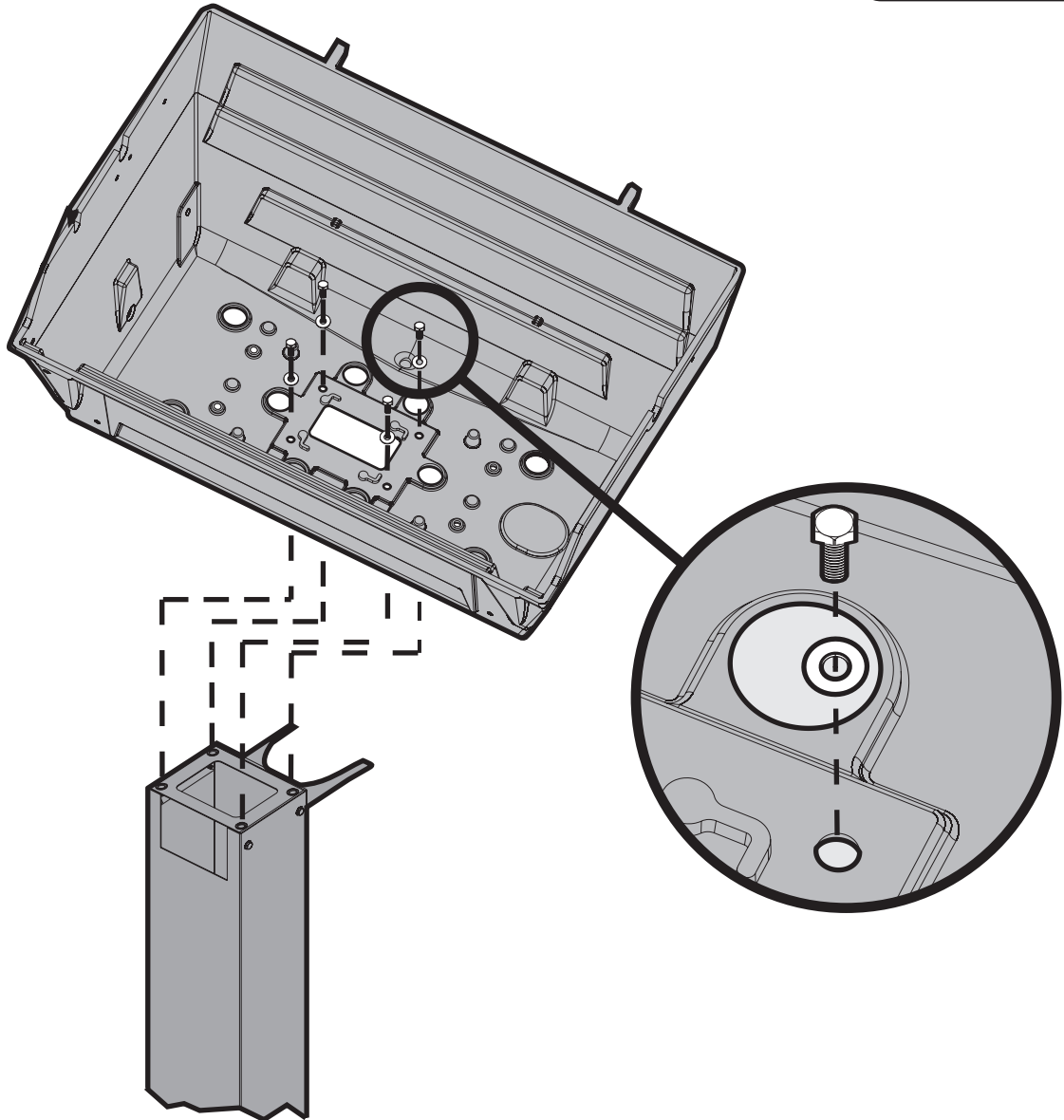
HEX HEAD BOLT
SS, 1/4-20 X 3/4
B063096 (4)



FLAT WASHER,
SS, 1/4 ID X 5/8 OD
B076332 (4)

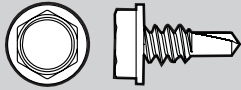


7/16"



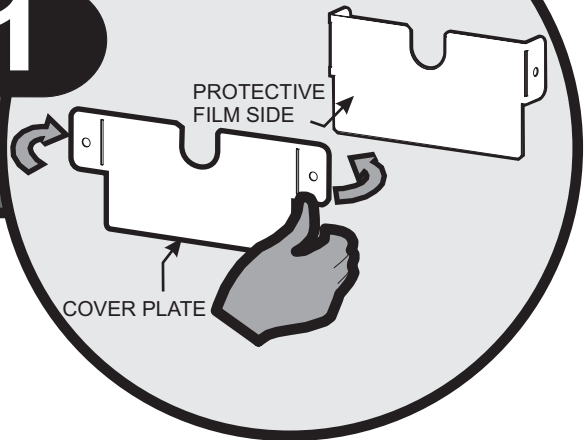
ATTACH POST COVER PLATE UPPER BRACKET (R3 ONLY)

HEX HEAD SCREW,
SS, 10-24 X 1/2
B101569 (2)



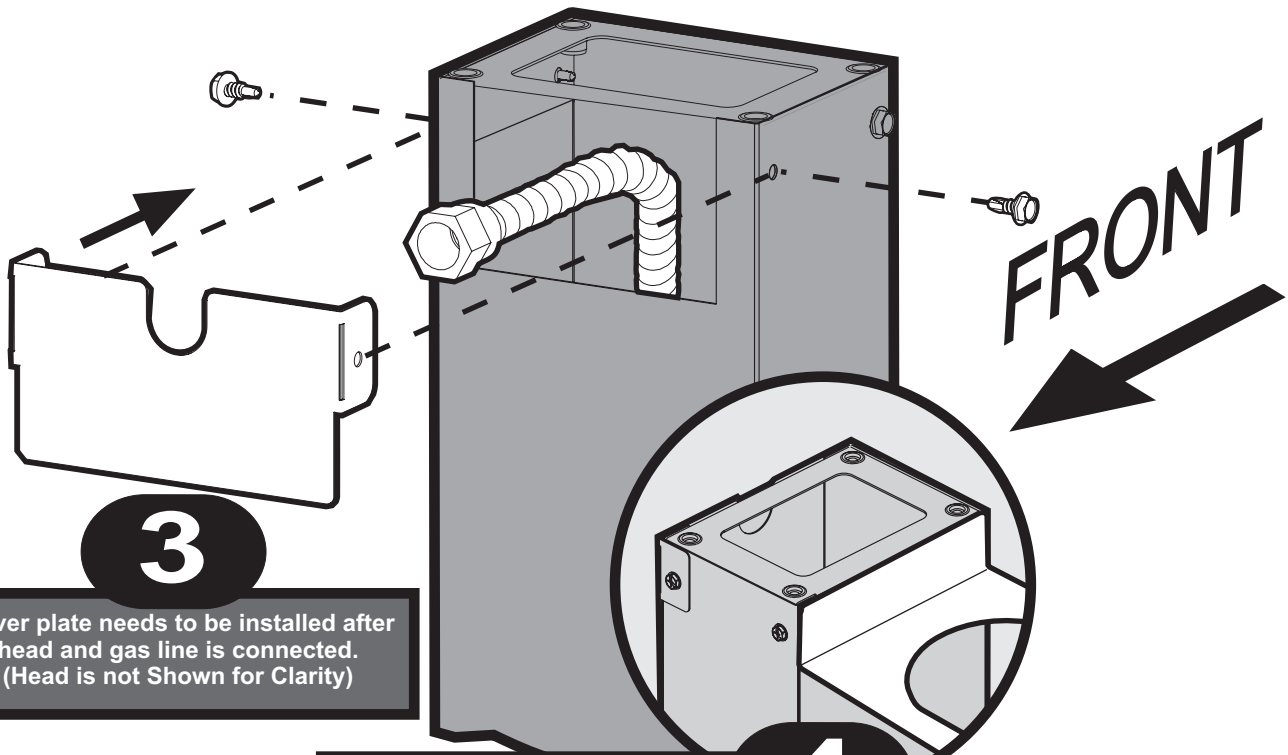
1

Remove Protective Film from Cover Plate and bend tabs.



2

Remove Front Left and Right Screws and install Cover Plate after head and gas line is connected. (Head not shown for clarity)



3

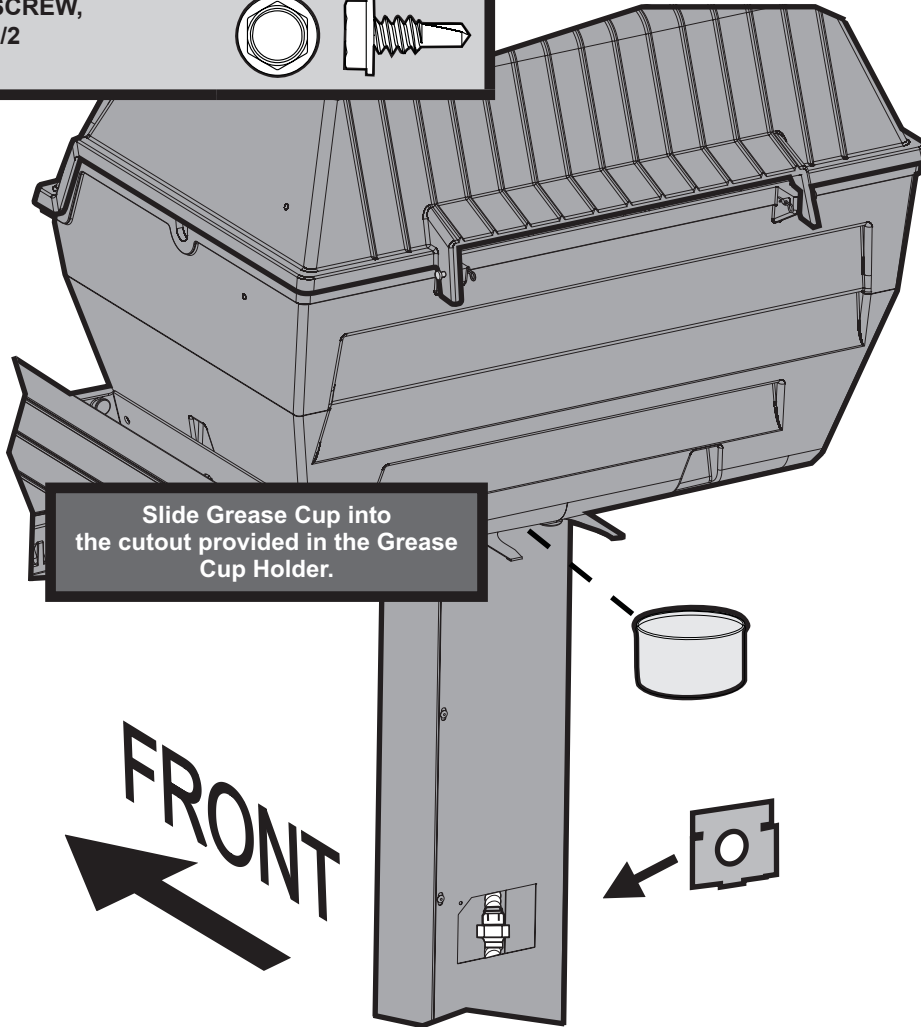
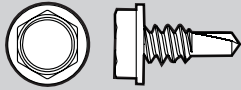
Cover plate needs to be installed after head and gas line is connected. (Head is not shown for clarity)

Secure the two screws removed.

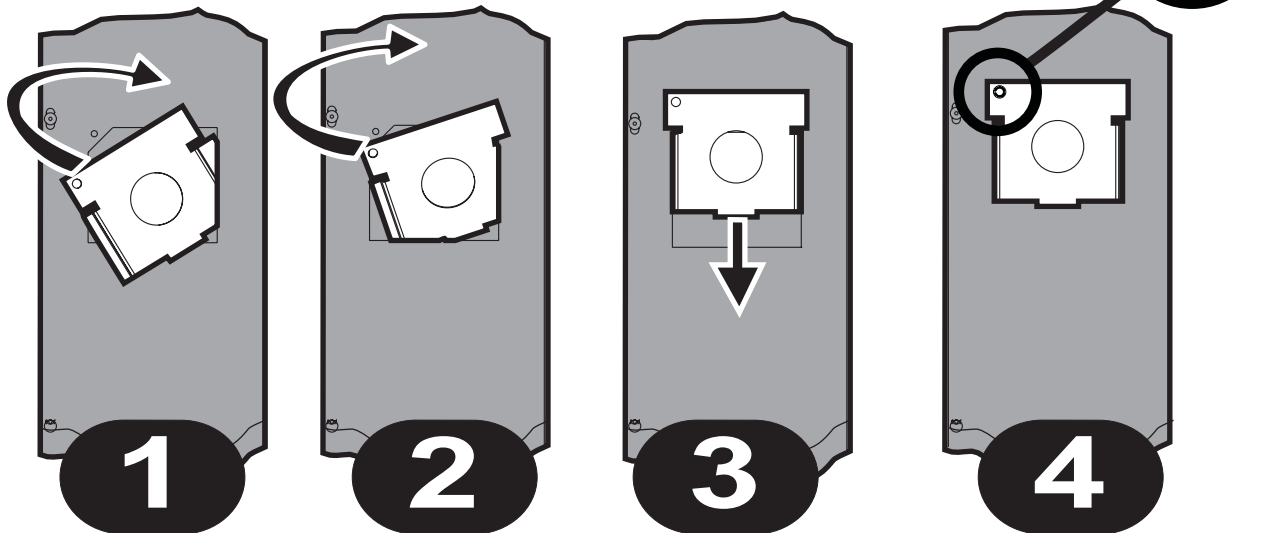
4

GREASE CUP AND ACCESS DOOR PLACEMENT

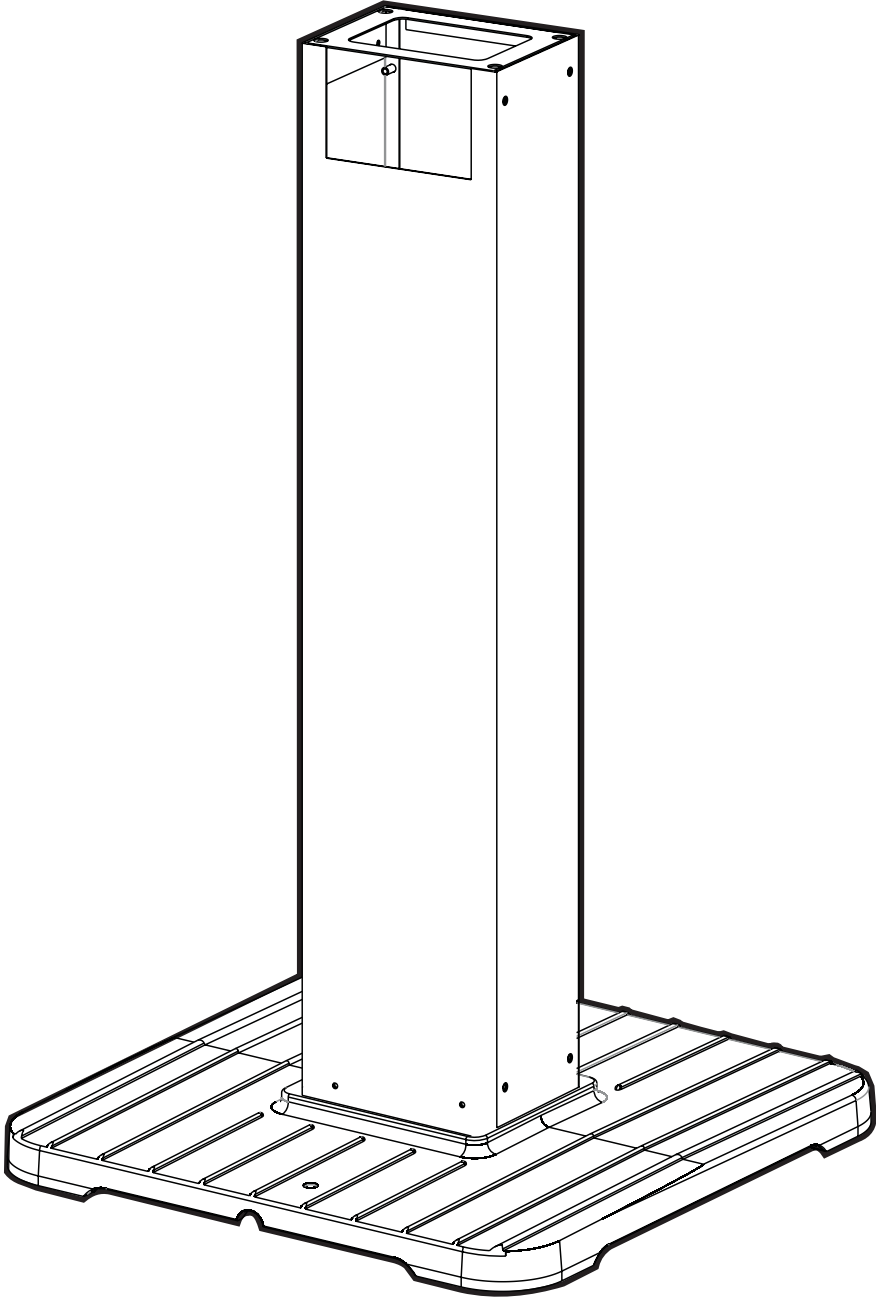
HEX HEAD SCREW,
SS, 10-24 X 1/2
B101569 (1)



Secure Access Door
with hex-head screw



BROILMASTER®
PREMIUM GRILLS



BL26P-2, SS26P-2
PATIO BASE

PATIO BASE PARTS DIAGRAM

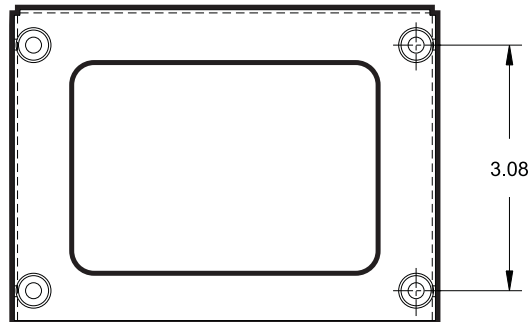
B101760 (1)
UPPER BRACKET ASSEMBLY

B101632(1)
PATIO POST, SS

B101631(1)
PATIO POST, BLACK

B101764 (1)
LOWER BRACKET ASSEMBLY

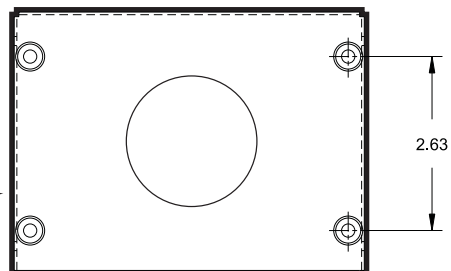
B826468 (1)
CAST BASE



B101473 (1)
GREASE CUP

B101628 (1)
GREASE CUP HOLDER

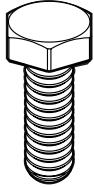
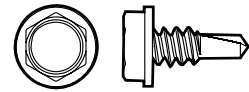
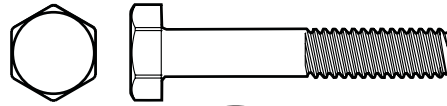
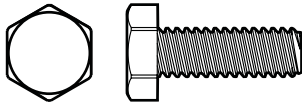
B101630 (1)
POST ACCESS DOOR



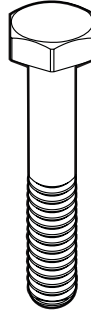
B076519 (1)
FLEX LINE

←
FRONT

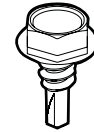
PATIO BASE HARDWARE PACK - B102255



HEX HEAD BOLT,
SS, 1/4-20 X 3/4
B063096
(4)



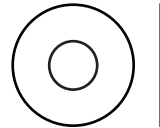
HEX HEAD BOLT,
SS, 1/4-20 X 1-1/2
B076330
(4)



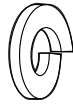
SELF-DRILLING
HEX HEAD SCREW,
SS, 10 X 1/2
B101569
(13)



LOCK WASHER,
SS, 1/4 ID X 1/2 OD
B076333
(4)



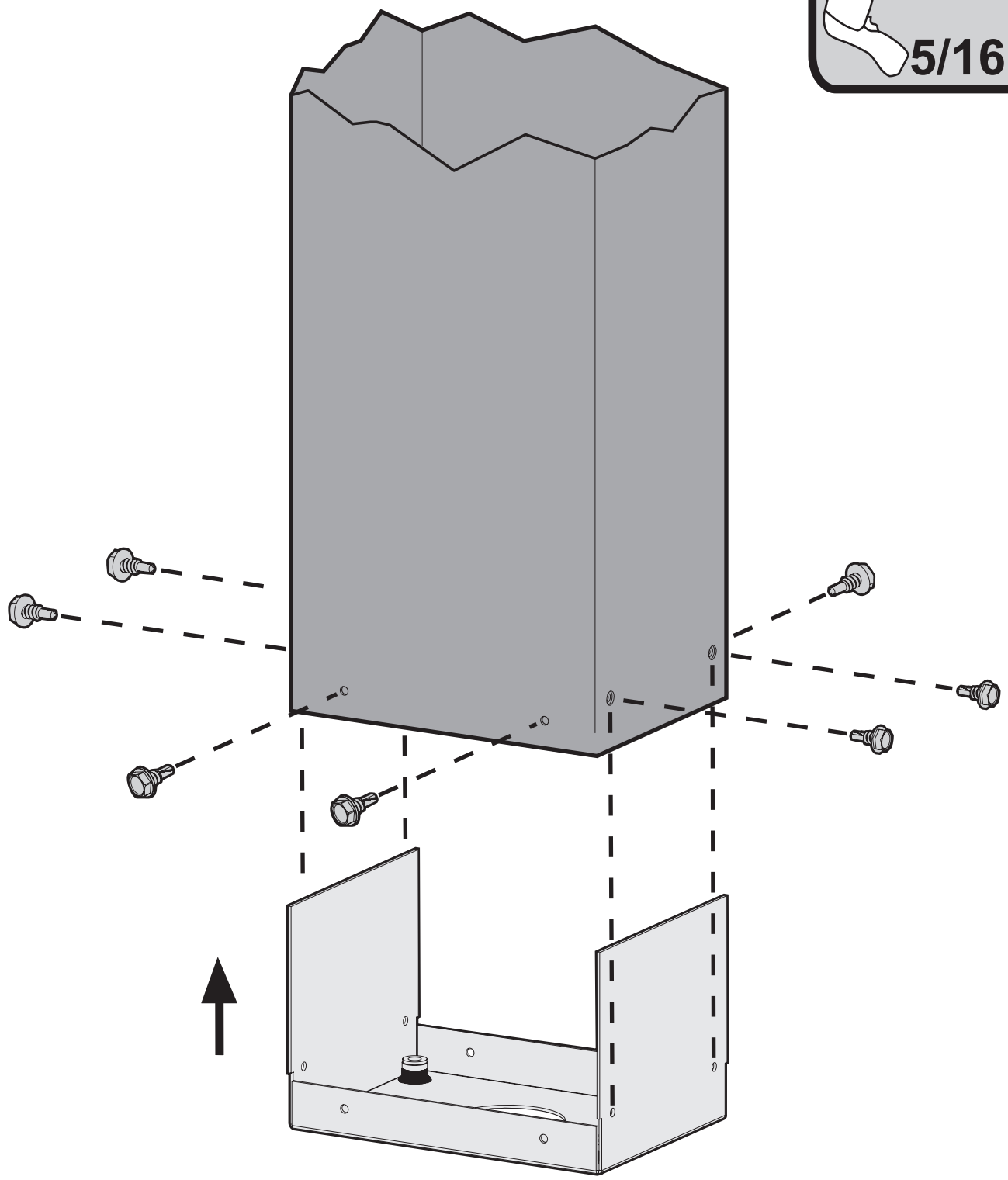
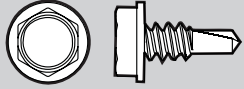
FLAT WASHER,
SS, 1/4 ID X 5/8
OD
B076332
(4)



Standard hardware items such as bolts, screws, washers, and nuts can be purchased at your local hardware store. Do not order individual pieces of standard hardware. A replacement hardware pack may be ordered using the hardware pack part number at the top of the page.

ATTACH LOWER BRACKET

HEX HEAD SCREW,
SS, 10 X 1/2
B101569 (8)
(STAINLESS SERIES ONLY)

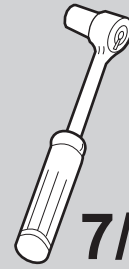
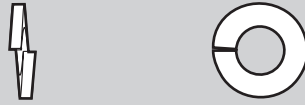


ATTACH BASE TO POST

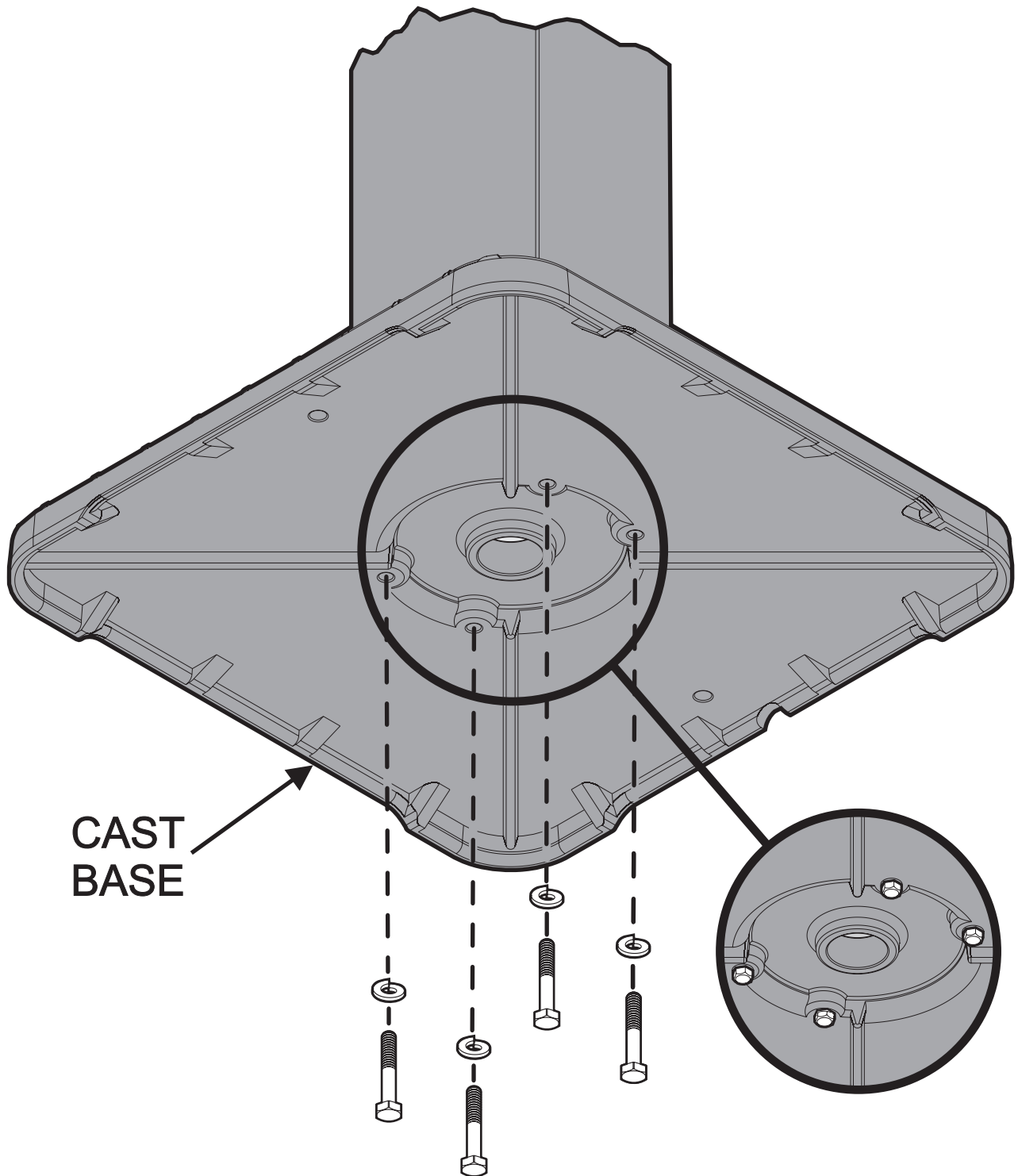
HEX HEAD SCREW,
SS, 1/4-20 X 1-1/2
B100112 (4)



LOCK WASHER,
SS, 1/4 ID X 1/2 OD
B076333 (4)



7/16"




CAST
BASE

INSERT FLEX LINE THROUGH POST

**GAS OUTLET TO
GRILL CONTROL
PANEL**

Insert the stainless steel Flex Tube Assembly into the Post. The inlet side of the tube may protrude from the bottom of the Patio Base or through the large square hole in the back of the square Post.

GAS INLET

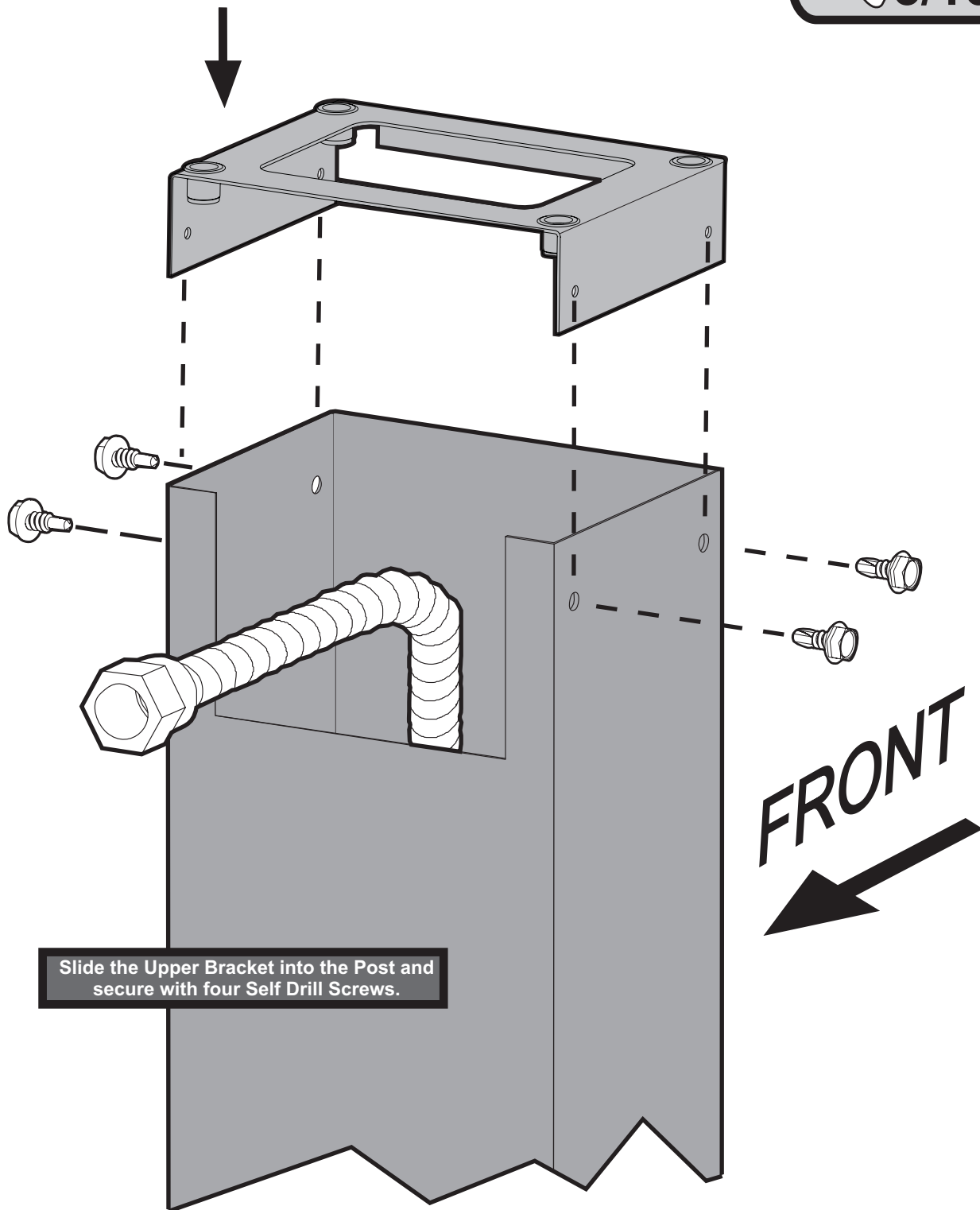
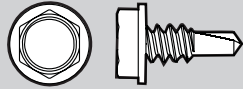

Do not attempt to cut or alter the flex tube in any way.

Anchor the Base to your patio using two holes in the Base.
(Hardware not Included)

Note: Make sure that large upper rectangle cut out is facing in the direction that you want your grill to face.

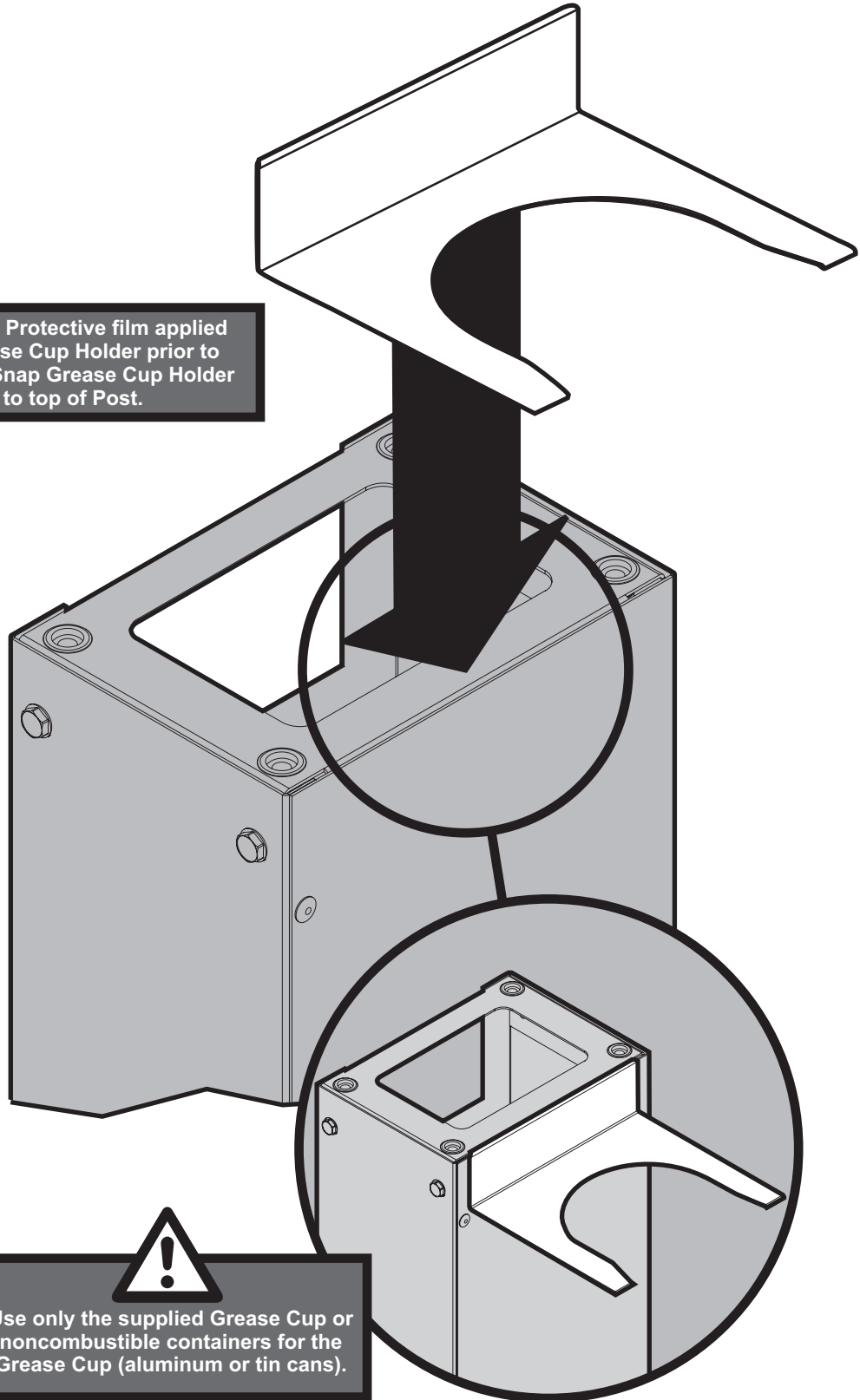
ATTACH UPPER BRACKET

HEX HEAD SCREW,
SS, 10 X 1/2
B101569 (4)
(STAINLESS SERIES ONLY)



GREASE CUP HOLDER PLACEMENT

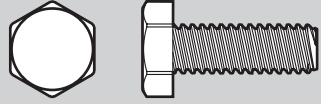
Remove Protective film applied to Grease Cup Holder prior to install. Snap Grease Cup Holder to top of Post.



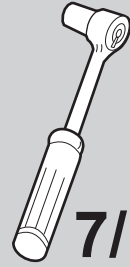
Use only the supplied Grease Cup or noncombustible containers for the Grease Cup (aluminum or tin cans).

ATTACH BOTTOM CASTING TO POST

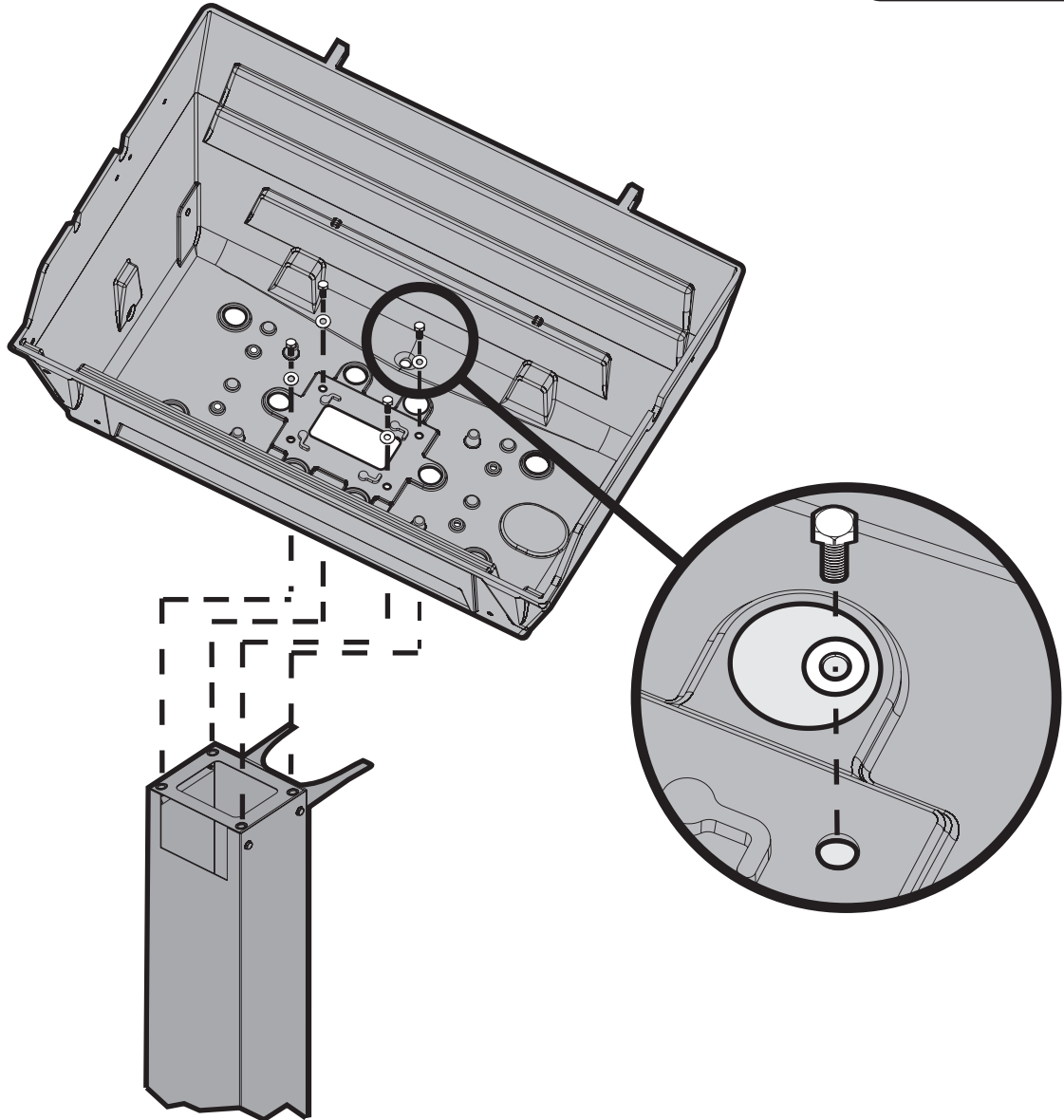
HEX HEAD BOLT
SS, 1/4-20 X 3/4
B063096 (4)



FLAT WASHER,
SS, 1/4 ID X 5/8 OD
B076332 (4)

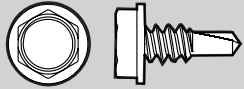


7/16"

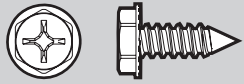


ATTACH POST COVER PLATE UPPER BRACKET (R3 & R3B ONLY)

HEX HEAD SCREW,
SS, 10 X 1/2
B101569 (2)
(STAINLESS SERIES ONLY)

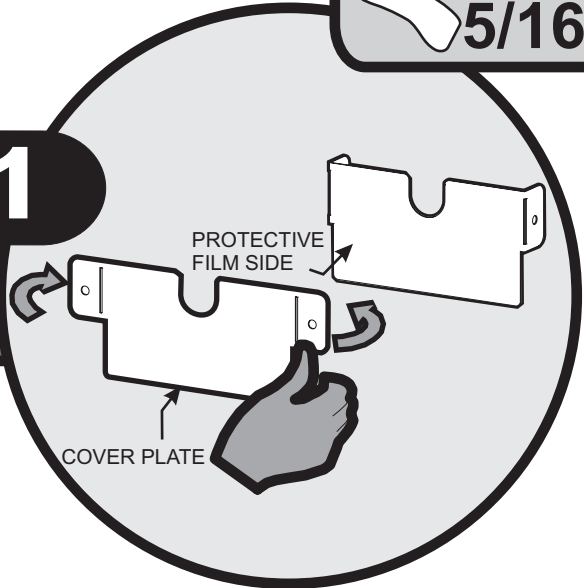


HEX HEAD SCREW,
BLACK, 10 X 1/2
R2737 (2)
(BLACK SERIES ONLY)



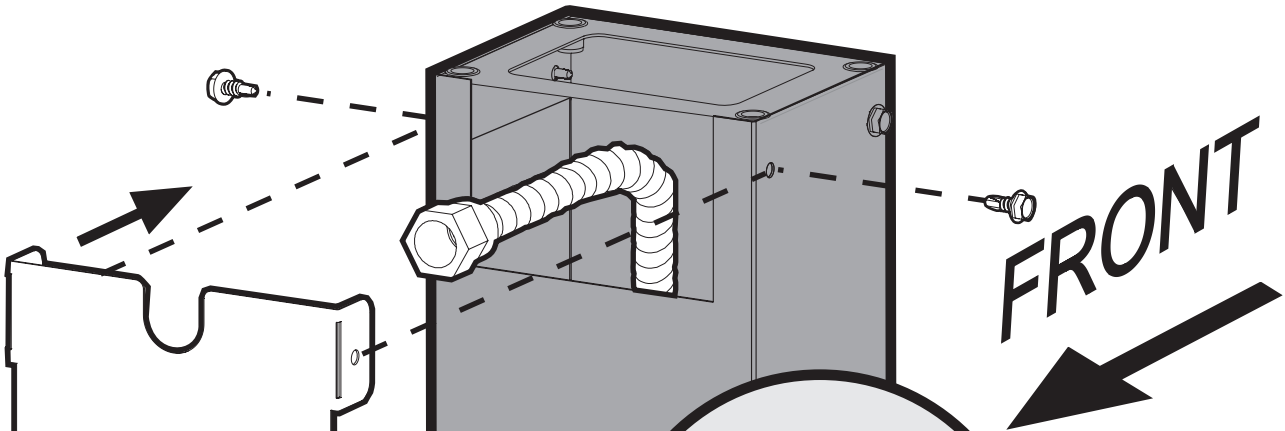
1

Remove Protective Film from Cover Plate and bend tabs.



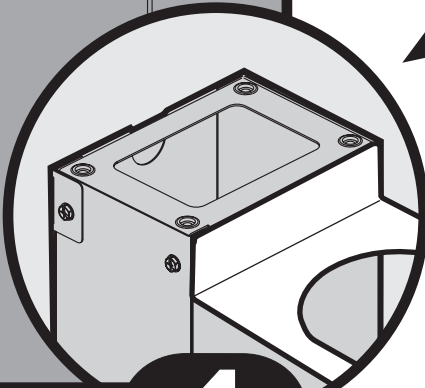
2

Remove Front Left and Right Screws and install Cover Plate after head and gas line is connected. (Head not shown for clarity)



3

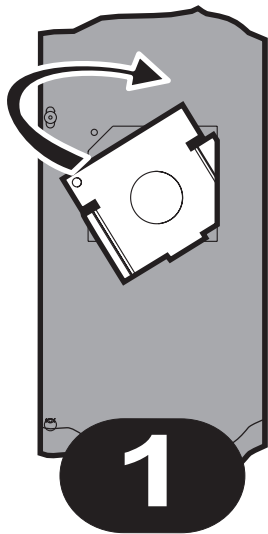
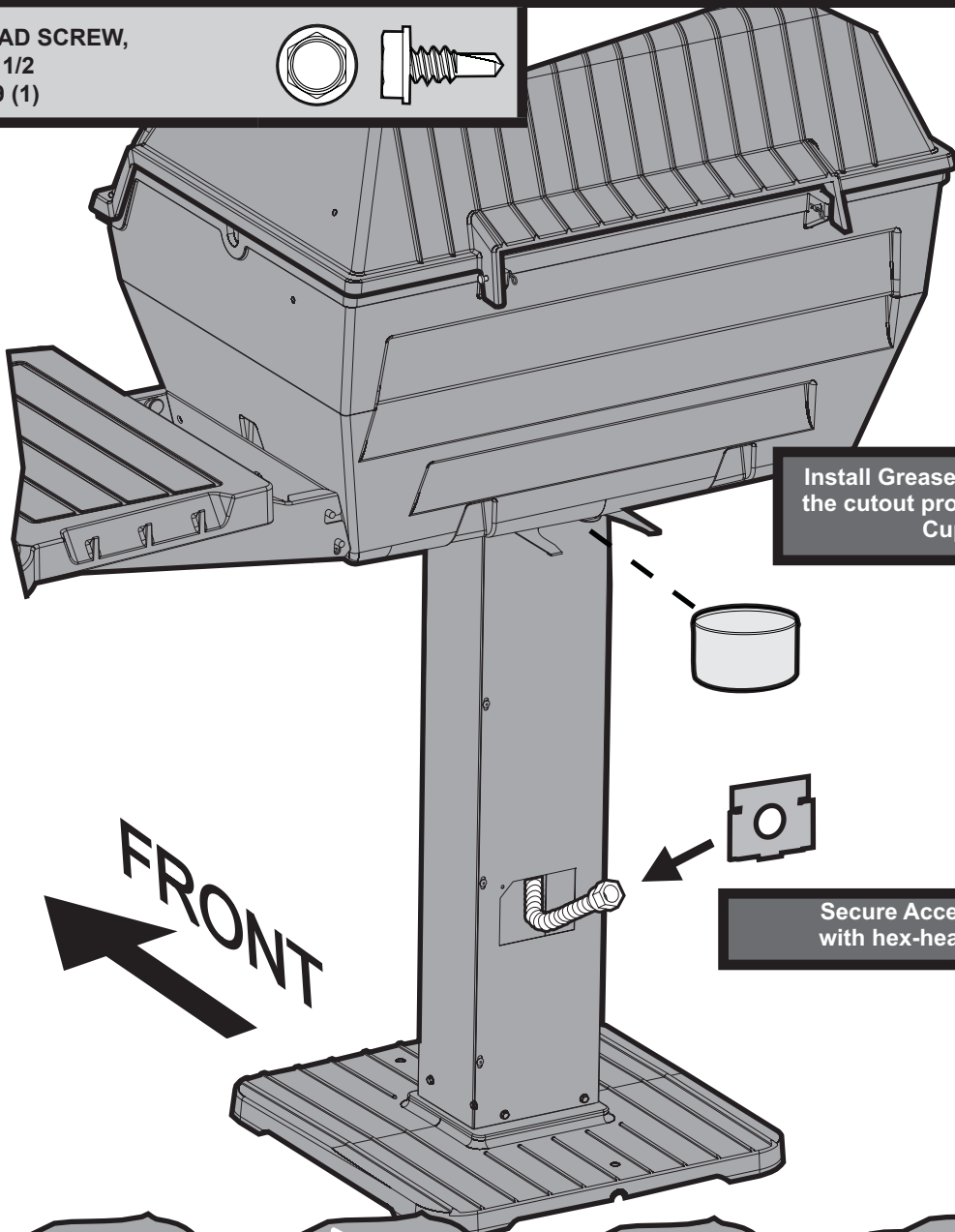
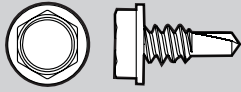
Cover plate needs to be installed after head and gas line is connected. (Head is not shown for clarity)



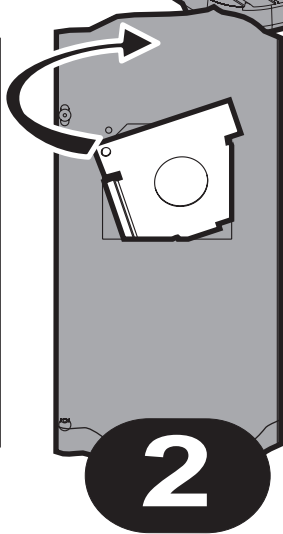
Secure the two screws removed. **4**

GREASE CUP AND ACCESS DOOR PLACEMENT

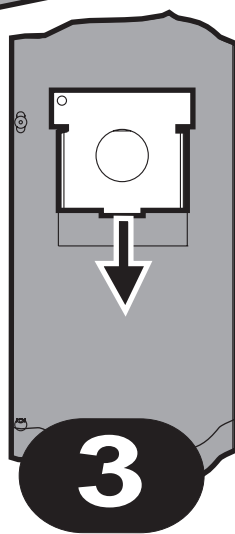
HEX HEAD SCREW,
SS, 10 X 1/2
B101569 (1)



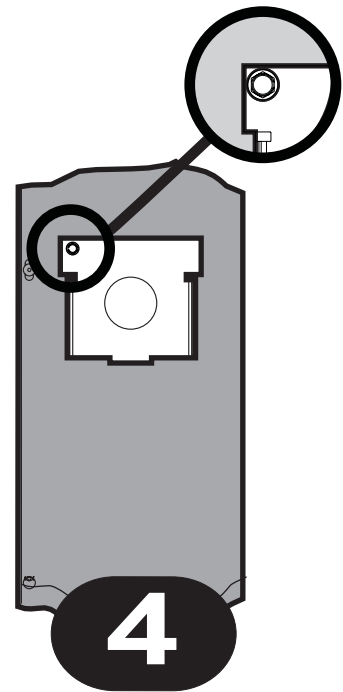
1



2



3



4

MASTER PARTS DISTRIBUTOR LIST

To order parts under warranty, please contact your local Broilmaster dealer. See the dealer locator at www.broilmaster.com.

To provide warranty service, your dealer will need your name and address, purchase date and serial number, and the nature of the problem. Please keep your receipt to establish ownership and date of purchase.

To order parts after the warranty period, please contact your dealer or one of the Master Parts Distributors listed below.

The Master Parts Distributor list changes from time to time. For the current list go to www.broilmaster.com and click on the Parts button.

Note: Master Parts Distributors are independent businesses that stock the most commonly ordered repair parts.

Dey Distributing

1401 Willow Lake Boulevard
Vadnais Heights, MN 55101

Phone: 651-490-9191

Toll Free: 800-397-1339

Website: www.deydistributing.com

Parts: Heater, Hearth and Grills

Victor Division of F. W. Webb Company

200 Locust Street
Hartford, CT 06114

Phone: 860-722-2433

Toll Free: 800-243-9360

Fax: 860-293-0479

Toll Free Fax: 800-274-2004

Websites: www.fwwebb.com & www.victormfg.com

Parts: Heater, Hearth and Grills

East Coast Energy Products

10 East Route 36
West Long Branch, NJ 07764

Phone: 732-870-8809

Toll Free: 800-755-8809

Fax: 732-870-8811

Website: www.eastcoastenergy.com

Parts: Heater, Hearth and Grills

Able Distributors

2501 North Central Avenue
Chicago, IL 60639

Phone: 773-889-5555

Toll Free: 800-880-2253

Fax: 773-466-1118

Website: www.abledistributors.com

Parts: Heater

HOW TO ORDER REPAIR PARTS

Parts Not Under Warranty

Parts can be ordered through your Service Person, Dealer, or a Master Parts Distributor. See this page for the Master Parts Distributors list. For best results, the **service person or dealer** should order parts through the distributor. Parts can be shipped directly to the **service person/dealer**.

Warranty Parts

Warranty parts will need a proof of purchase and can be ordered by your Service Person or Dealer. Proof of purchase is **required** for warranty parts.

All parts listed in the Parts List have a Part Number. When ordering parts, first obtain the Model Number and Serial Number from the name plate on your equipment. Then determine the Part Number (**not** the Index Number) and the Description of each part from the following illustration and part list. Be sure to give all this information . . .

Model Number / Dealer _____ Part Description _____

Serial Number / Dealer Phone Number _____ Part Number _____

Type of Gas (Propane or Natural) _____

Do not order bolts, screws, washers or nuts. They are standard hardware items and can be purchased at any local hardware store.

Shipments contingent upon strikes, fires and all causes beyond our control.

Your Broilmaster Premium Gas Grill is identified by model number, serial number, and gas type. This information is provided on a product identification label located on the grill's control panel. For your convenience, complete this section for future reference when contacting your dealer.

BROILMASTER®
PREMIUM GRILLS

BROILMASTER

A Division of Empire Comfort Systems, Inc.

918 Freeburg Ave.

Belleville, Illinois 62220

VISIT OUR WEB SITE AT www.broilmaster.com

If you have a general question about our products, please e-mail us at info@empirecomfort.com.

If you have a service or repair question, please contact your dealer.