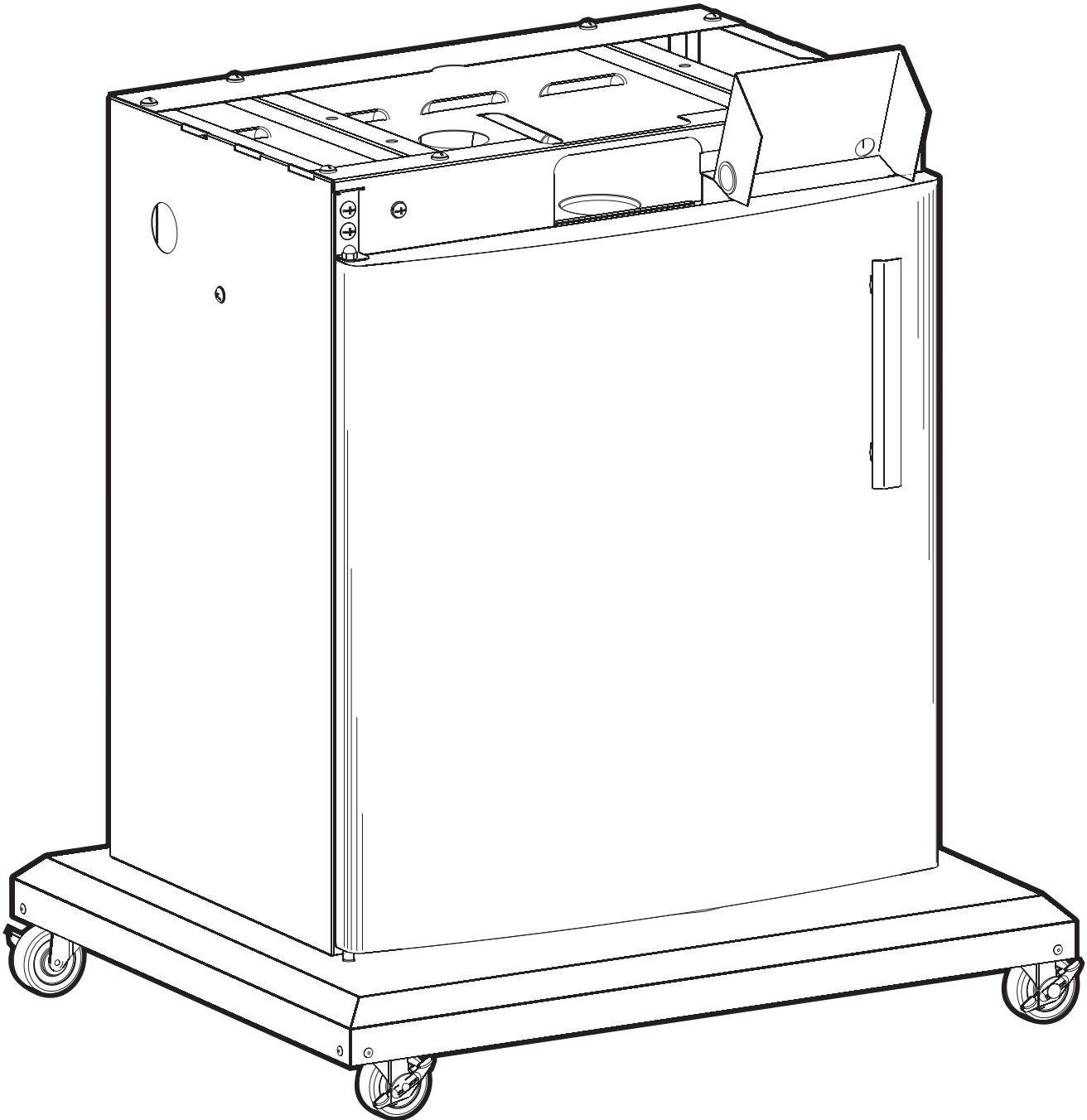




BROILMASTER® PREMIUM GRILLS



CART WITH DOOR

PSCB1-3

RETAIN OWNER'S MANUAL FOR FUTURE REFERENCE.

IMPORTANT INFORMATION

IMPORTANT

This manual should be read thoroughly by the installer and by anyone who will use or maintain the grill.

Installer - Write the model number, serial number, and date of installation in the manual. If available, attach a copy of the receipt. Leave this manual with the grill owner.

Grill Owner - Read and retain this manual. It contains instructions on using and maintaining your grill, plus information on ordering replacement parts. Attach a copy of your receipt to this manual. Your receipt established the proof of purchase required for warranty replacement parts.

⚠ WARNING

Follow the instruction in this manual for proper installation and maintenance of the grill. Improper installation, adjustment, alteration, service or maintenance can cause injury or property damage. For assistance or additional information consult a qualified installer, service agency or the gas supplier.

⚠ WARNING: FOR YOUR SAFETY

Do not store or use gasoline or other flammable vapors or liquids in the vicinity of this or any appliance.

⚠ CAUTION:

Parts may have sharp edges. Wear leather work gloves and handle parts carefully during unpacking, assembly and installation.

Thank you for purchasing a Broilmaster Grill Accessory.

Broilmaster takes pride in its reputation as the The Most Durable Grill Known to Man.

From its thick aluminum casting to its massive cooking grids, your Broilmaster is built to last. In fact we still make replacement parts for Broilmaster grills built more than 30 years ago.

Visit www.broilmaster.com and click on the Hall of Fame to see a sampling of our long-time customers. We hope you enjoy years of great meals prepared on your Broilmaster. And we hope to add your photo to the Hall of Fame one day.

Thank You!

Broilmaster is a registered trademark of

Empire Comfort Systems, Inc.

918 Freeburg Ave.

Belleville, Illinois 62220

Telephone 800-851-3153

TABLE OF CONTENTS

You have chosen the finest grill for your outdoor cooking pleasure.
Please take time to read this entire manual before assembling your Broilmaster Grill Accessory.

ASSEMBLY INSTRUCTIONS	5
IMPORTANT INFORMATION	6
PSCB1 CART ASSEMBLY	7-21
CART PARTS DIAGRAM	7
CART HARDWARE PACK - B102003	8
PATIO MOUNT CART ONLY	9-10
CART WALLS ASSEMBLY	11
ATTACH WALLS TO BASE	12
INSTALL STABILIZING BRACKET	13
INSTALL IGNITOR SHIELD	14
INSTALL STIFFENER BRACKETS	15
SECURE LEFT AND RIGHT PANELS TO REAR PANEL	16
INSTALL DOOR	17
ATTACH BOTTOM CASTING TO CART	18
HEAT SHIELD PLACEMENT	19
ATTACH HOSE & COUPLING	20
TANK RETAINER AND GREASE DRIP TRAY INSTALLATION	21
GRILL MAINTENANCE HISTORY	22
MASTER PARTS DISTRIBUTOR LIST	23
HOW TO ORDER REPAIR PARTS	23

ASSEMBLY INSTRUCTIONS

Before You Begin

Compare the parts in the box to the parts list provided in this manual. If any are missing, contact your Broilmaster dealer before beginning assembly.

All Broilmaster grills require some assembly. For the best results, follow the step-by-step instructions.

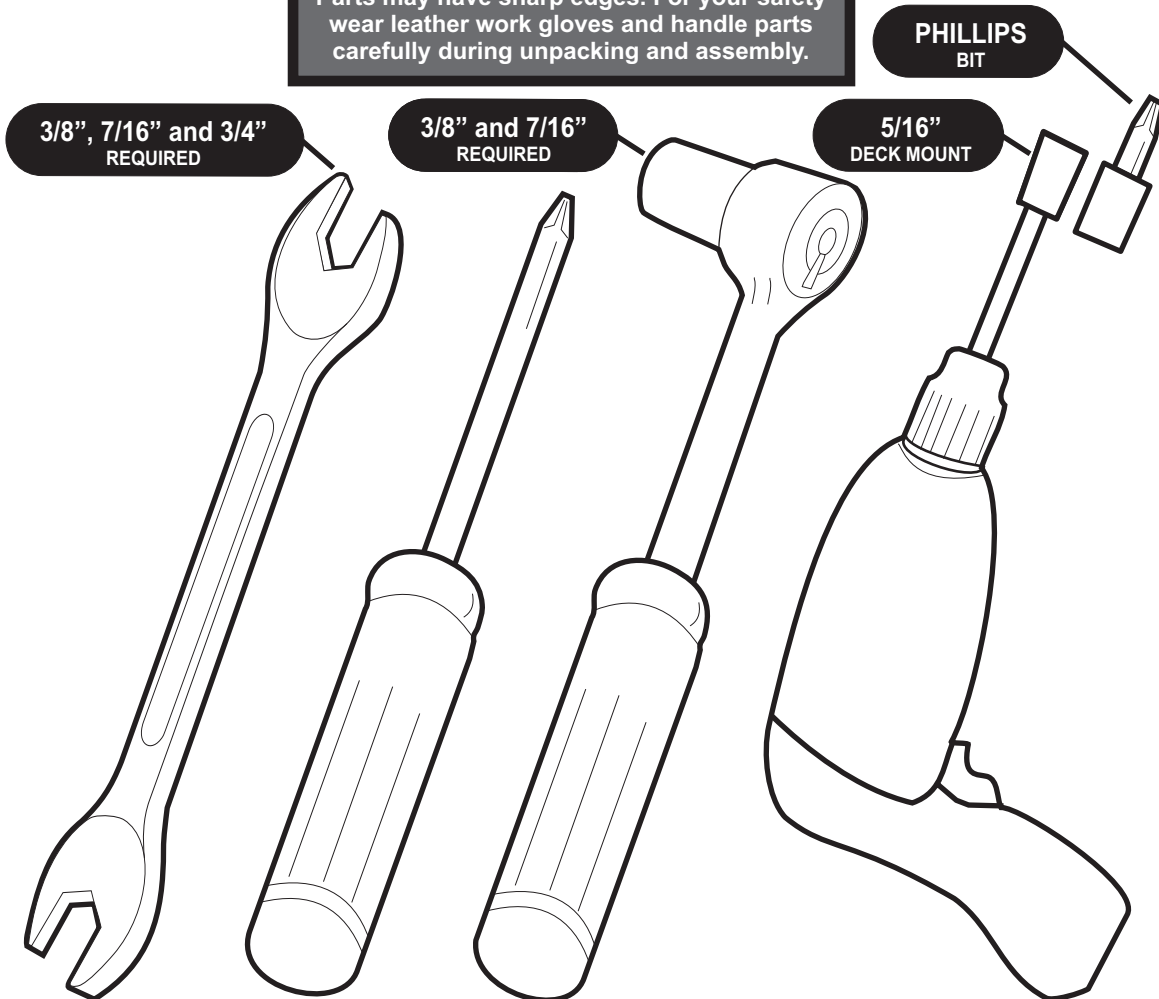
For natural gas grills and for permanently mounted LP grills, have your gas supplier run service to the desired location first.

If you purchased an accessory with your Broilmaster, follow the instructions provided.



CAUTION:

Parts may have sharp edges. For your safety wear leather work gloves and handle parts carefully during unpacking and assembly.



TOOLS
REQUIRED

IMPORTANT INFORMATION

Grill Location

This grill is designed for outdoor use only.

Never operate your grill in any building, garage, or other enclosed area. Never operate your grill in a recreational vehicle or boat. Never operate your grill under any combustible materials, such as carports, covered porches, awnings, or overhangs.

CAUTION

Keep the sides of the grill at least 16 inches from any combustible material. Keep the back of the grill at least 18 inches from any combustible material. Placing a hot grill too close to a building or other combustible material may lead to fire, property damage, or personal injury. Combustible materials include fences, patio furniture, and your home.

Keep the area around the grill clear to ensure proper ventilation.

WARNING

Do not install or operate this grill where gasoline or other flammable materials are used or stored. Failure to comply with this warning could result in explosion or fire causing property damage or personal injury.

Gas Type

The type gas required for your grill can be determined from the product identification label located on the grill's control panel. Questions regarding different types of gases should be directed to your local gas supplier.

CAUTION

Never use Liquid Propane (LP) gas in a grill designed for Natural gas, or Natural gas in a grill designed for Liquid Propane gas. Questions regarding different types of gases should be directed to your local gas company.

Connection Requirements

Broilmaster natural gas grills are not equipped with pressure regulators. Your gas grill operates at a manifold pressure of seven inches water column. (Your natural gas technician will understand what this means.)

Arrange with your local gas company or licensed contractor to have a gas supply line connected to the inlet of the stainless steel flex tube assemble. The gas supply must have a shutoff valve that is close to the post in case of emergency and must be shutoff when the grill is not in use.

Connect your grill this coupling using the twelve foot flexible hose with a quick disconnect fitting (available for purchase from

your Broilmaster dealer.)

CAUTION

The grill and its individual shutoff valve must be disconnected from the gas supply piping system during any system pressure testing at test pressures in excess of 1/2 PSIG.

CAUTION

The grill must be isolated from the gas supply piping system by closing its individual manual shutoff valve during any pressure testing of the gas supply piping system at test pressures equal to or less than 1/2 PSIG.

Cleaning

The exterior of your cart may be cleaned with hot water and mild detergent as needed.

Stainless steel surfaces may be cleaned with a spray-on stainless steel cleaner available at most hardware stores.

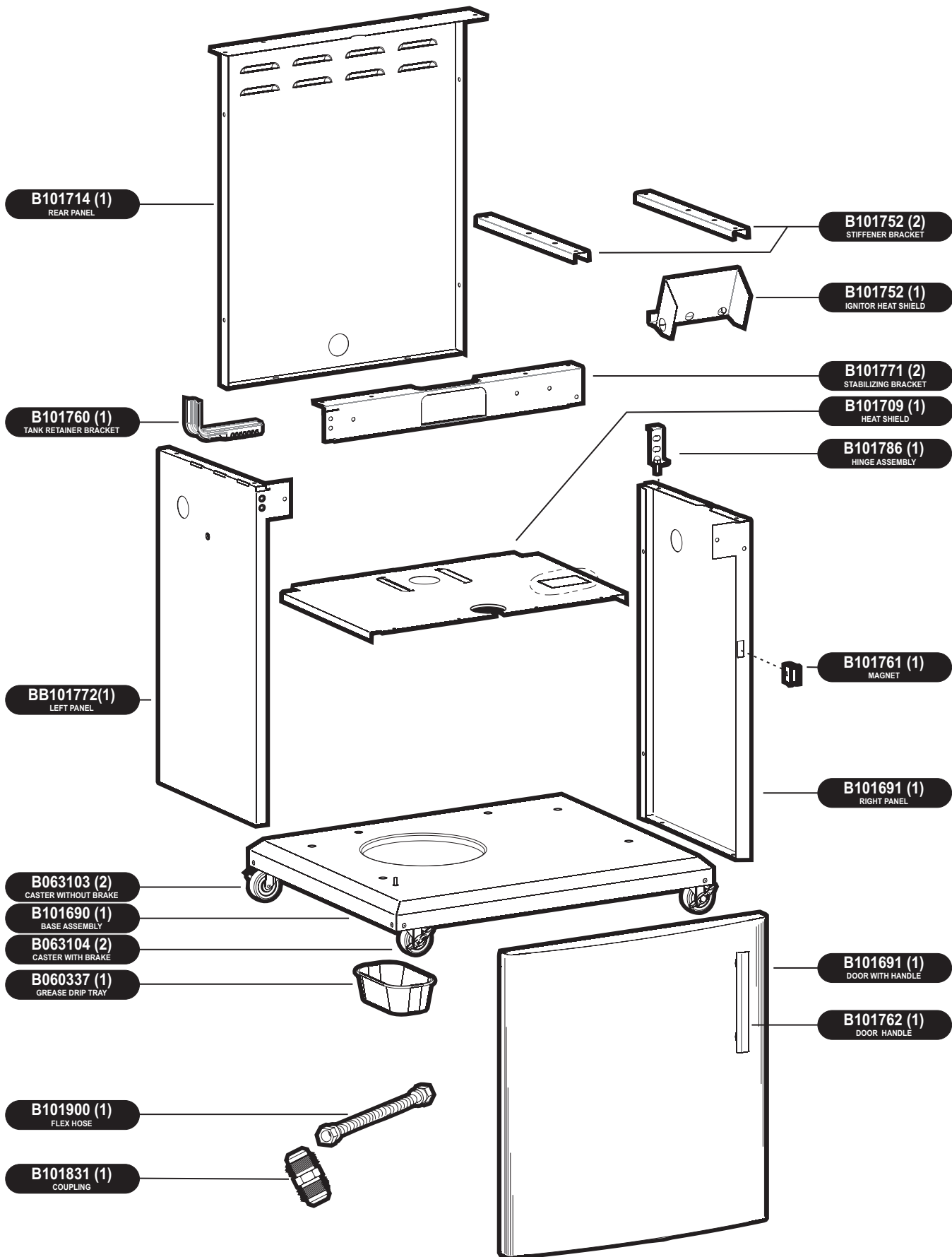
Important: Do not use harsh or abrasive cleaners! Your cart or post has a highly polished surface and may be easily scratched.

Periodic Inspection and Maintenance

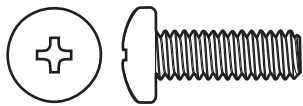
Periodic inspections and maintenance are essential. All Broilmaster Grill products or mechanical devices eventually begin to wear due to environment, contaminants, corrosion or aging. Inspect all components at least twice per year and replace any that show wear.

If any parts are damaged or missing, you may order parts from your local Broilmaster® dealer. Please refer to the Parts Diagram and Parts List sections of this manual for more detailed information.

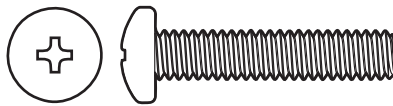
CART PARTS DIAGRAM



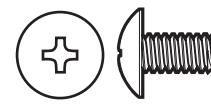
CART HARDWARE PACK - B102003



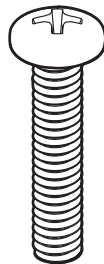
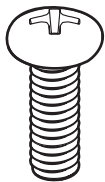
PHILLIPS PAN HEAD SCREW,
SS, 1/4-20 X 3/4
B072217
(23)



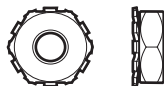
PHILLIPS PAN HEAD SCREW,
SS, 1/4-20 X 1-1/4
B100113
(5)



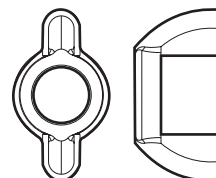
PHILLIPS TRUSS HEAD
SCREW
SS, 10-24 X 3/8
B100130
(4)



HEX NUT,
SS, 1/4-20
B076331
(15)



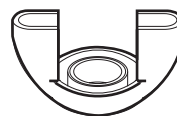
KEPS NUT,
SS, 10-24
B073967
(1)



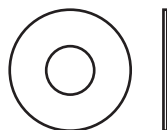
WING NUT,
1/4-20
R1123
(1)



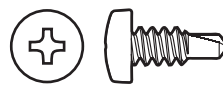
DOOR SPACER
B101758
(1)



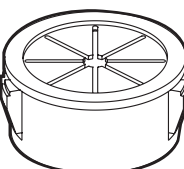
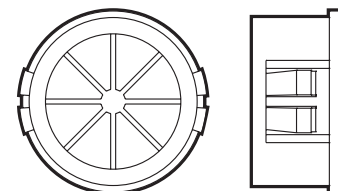
LOCK WASHER,
1/4 ID X 1/2 OD
B076333
(22)



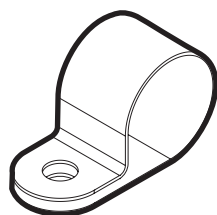
FLAT WASHER,
SS, 1/4 ID X 5/8
OD
B076332
(4)



SELF-DRILLING PHILLIPS
PAN HEAD SCREW,
SS, 10-16 X 1/2
R4059
(2)



SNAP BUSHING,
STAR
R882
(1)



CABLE CLIP
B101996
(1)

Standard hardware items such as bolts, screws, washers, and nuts can be purchased at your local hardware store. Do not order individual pieces of standard hardware. A replacement hardware pack may be ordered using the hardware pack part number at the top of the page.

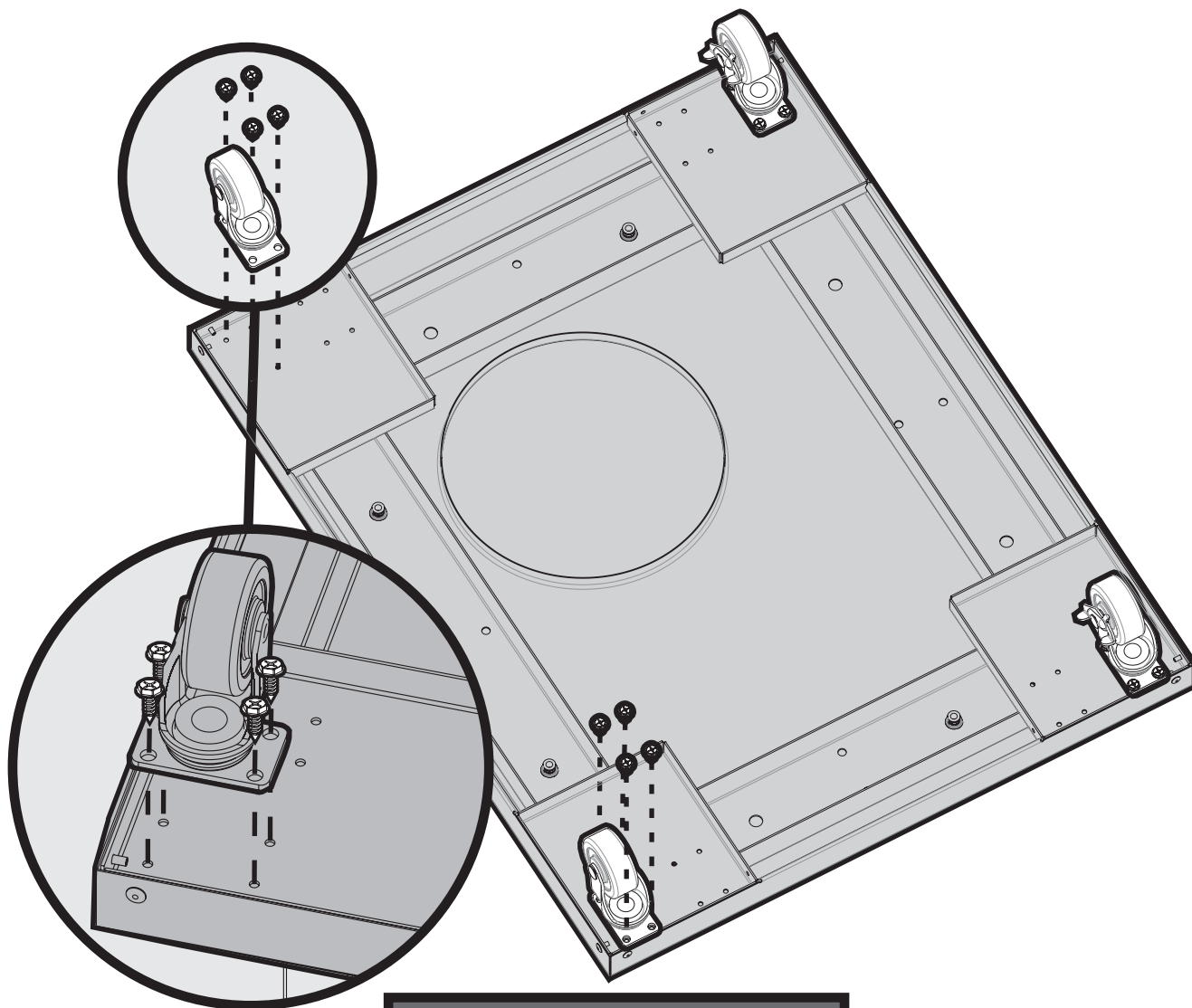
PATIO MOUNT CART ONLY

SELF-DRILLING
HEX HEAD SCREW,
10-24 X 1/2
R2737 (16 ALREADY INSTALLED)



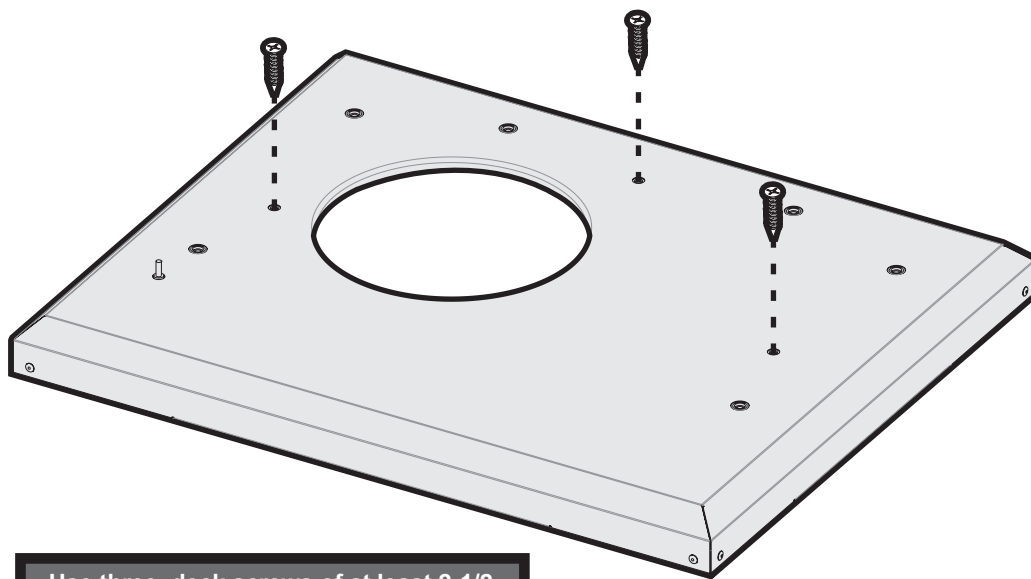
5/16"

Patio Mounting Start here. If not hard mounting cart to deck skip to page 11.



Place the Base Assembly on the work surface with casters facing up. Remove the four screws securing each caster and retain for possible future use. Repeat steps for remaining three casters.

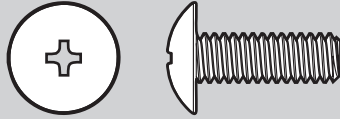
PATIO MOUNT CART ONLY



Use three deck screws of at least 2-1/2 inches (Not Included) in length to fasten Base Assembly to deck. The screws used should protrude at least 3/4 inch into the deck.

CART WALLS ASSEMBLY

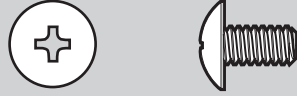
PHILLIPS PAN HEAD SCREW,
SS, 1/4-20 X 3/4
B072217 (3)



HEX NUT,
SS, 1/4-20
B076331(3)



PHILLIPS TRUSS HEAD SCREW,
SS, 10-24 X 3/8
B100130 (1)



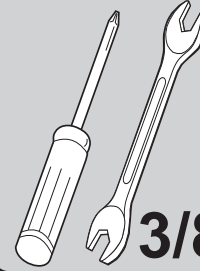
KEPS NUT,
SS, 10-24
B073967(1)



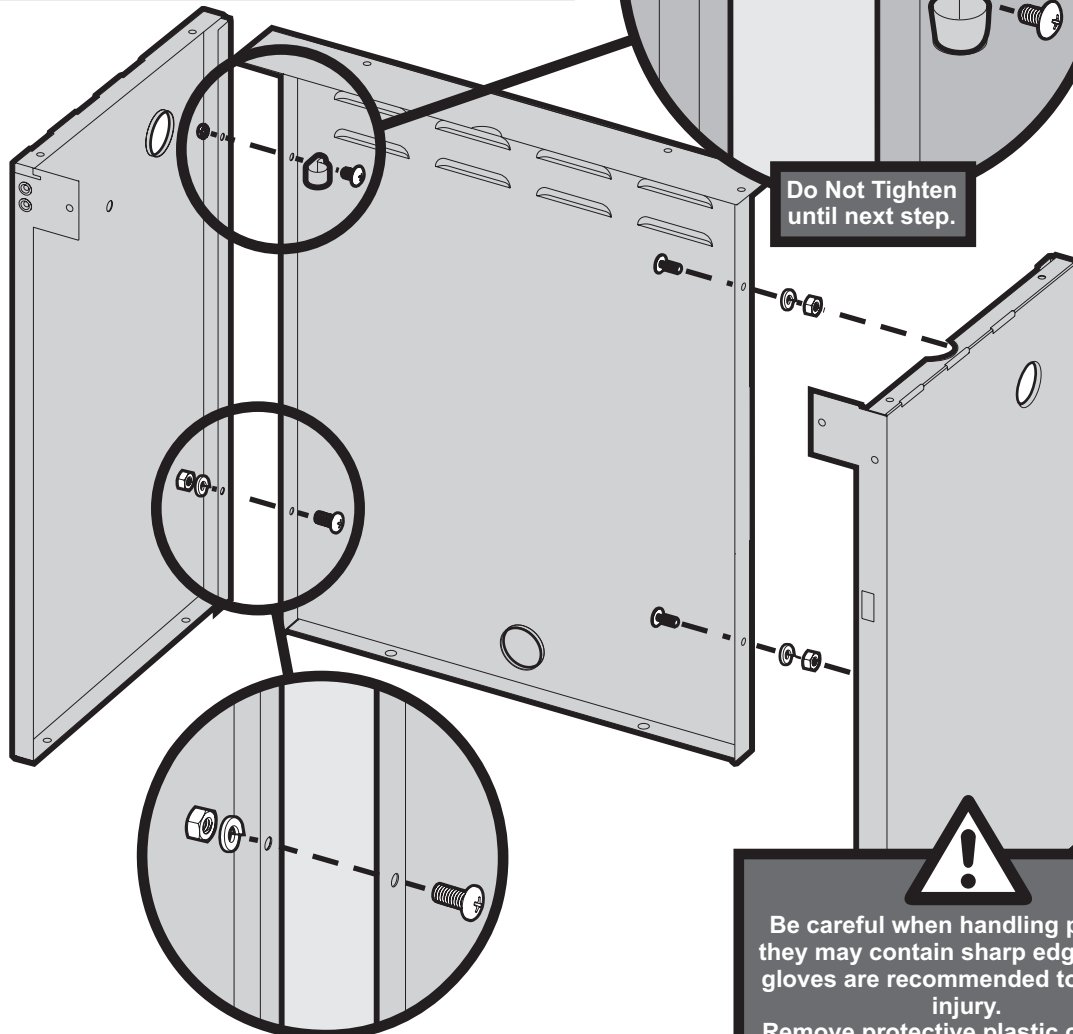
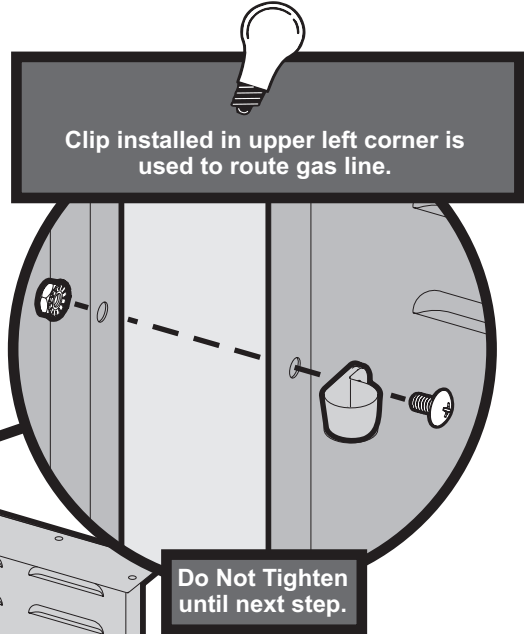
LOCK WASHER,
1/4 ID X 1/2 OD
B076333 (3)



CABLE CLIP,
B101996 (1)



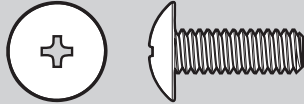
3/8", 7/16"



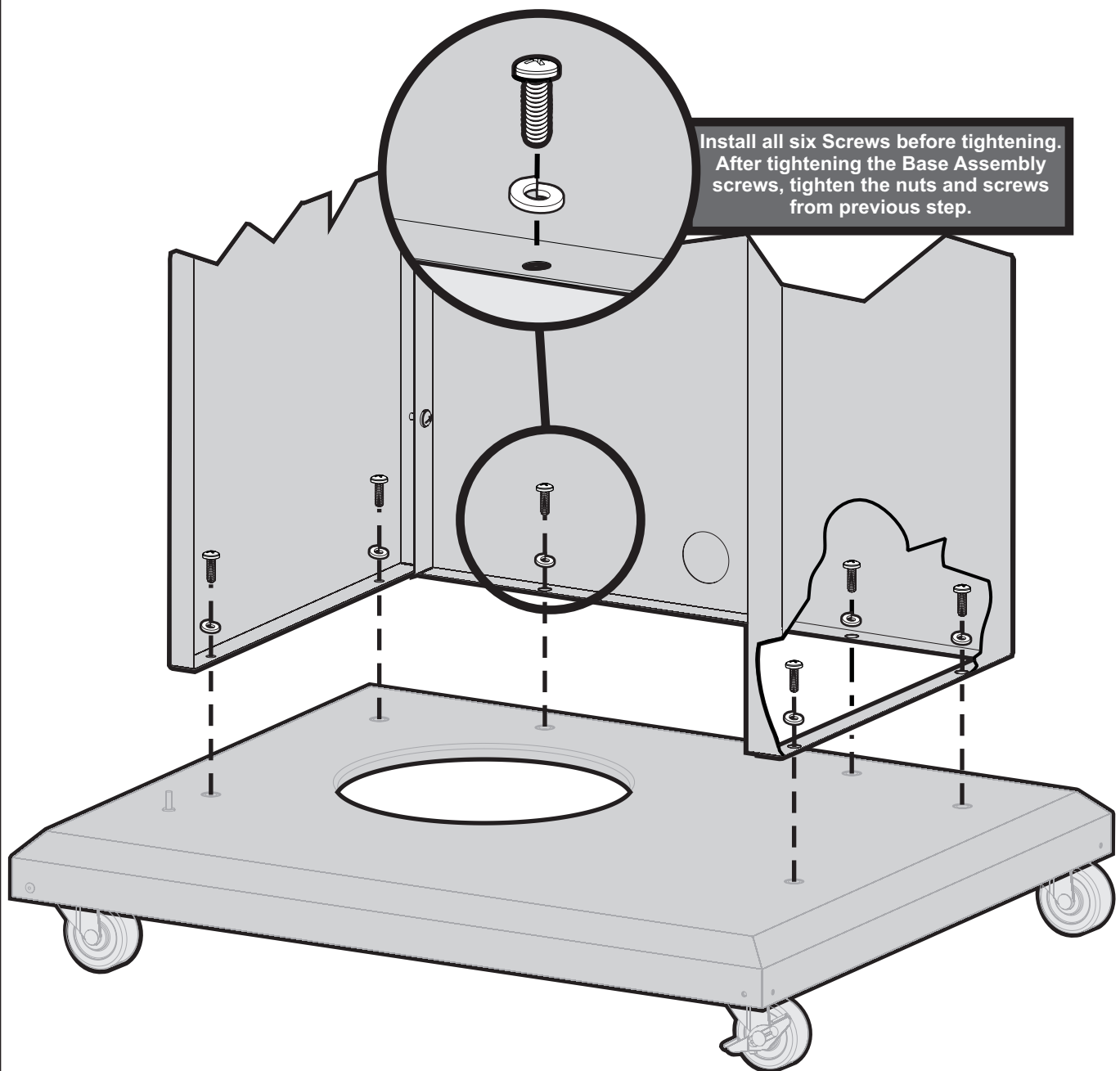
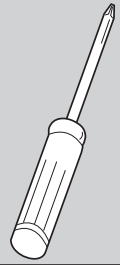
!
Be careful when handling parts, as they may contain sharp edges. Work gloves are recommended to prevent injury.
Remove protective plastic covering.

ATTACH WALLS TO BASE

PHILLIPS PAN HEAD SCREW,
SS, 1/4-20 X 3/4
B072217 (6)



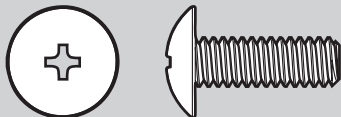
LOCK WASHER,
1/4 ID X 1/2 OD
B076333 (6)



Install all six Screws before tightening.
After tightening the Base Assembly
screws, tighten the nuts and screws
from previous step.

INSTALL STABILIZING BRACKET

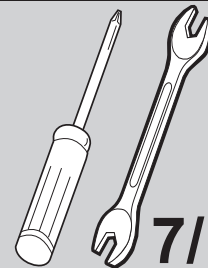
PHILLIPS PAN HEAD SCREW,
SS, 1/4-20 X 3/4
B072217 (6)



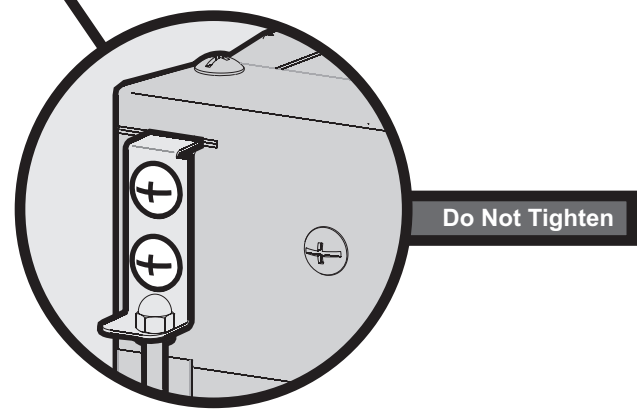
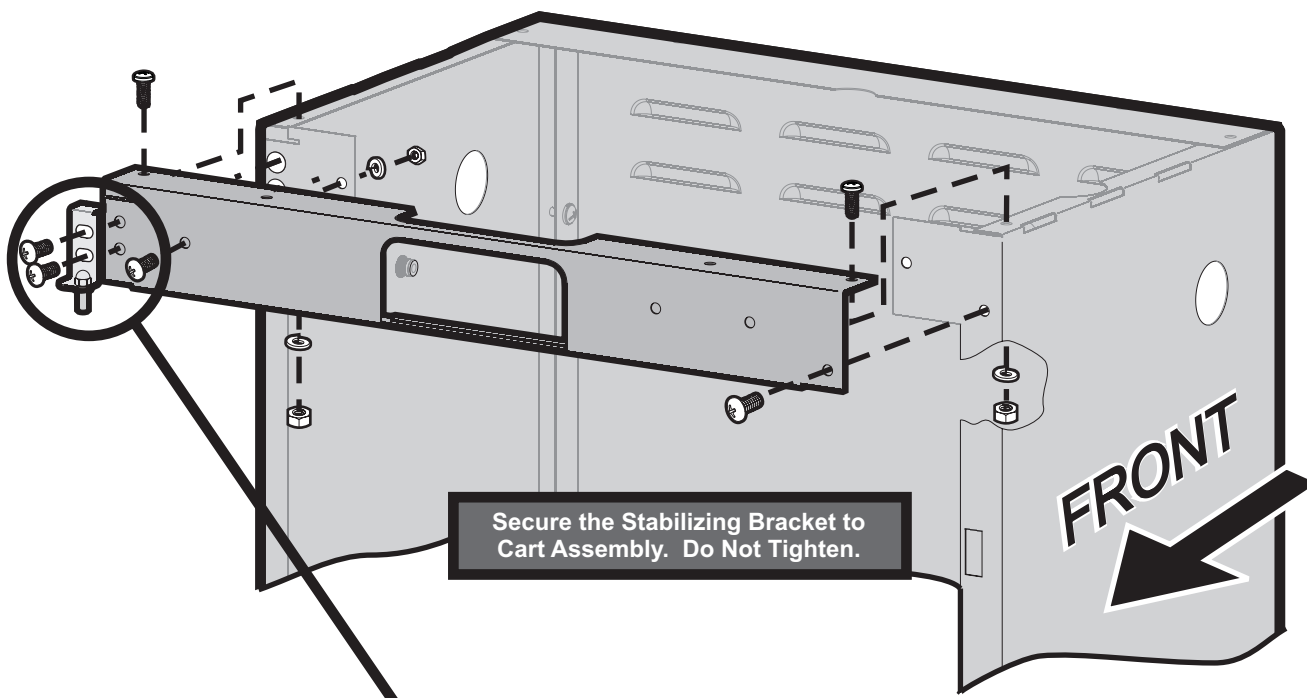
HEX NUT,
SS, 1/4-20
B076331(4)



LOCK WASHER,
1/4 ID X 1/2 OD
B076333 (4)

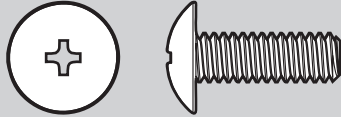


7/16"



INSTALL IGNITOR SHIELD

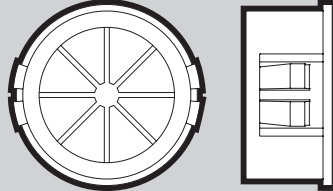
PHILLIPS PAN HEAD SCREW,
SS, 1/4-20 X 3/4
B072217 (2)



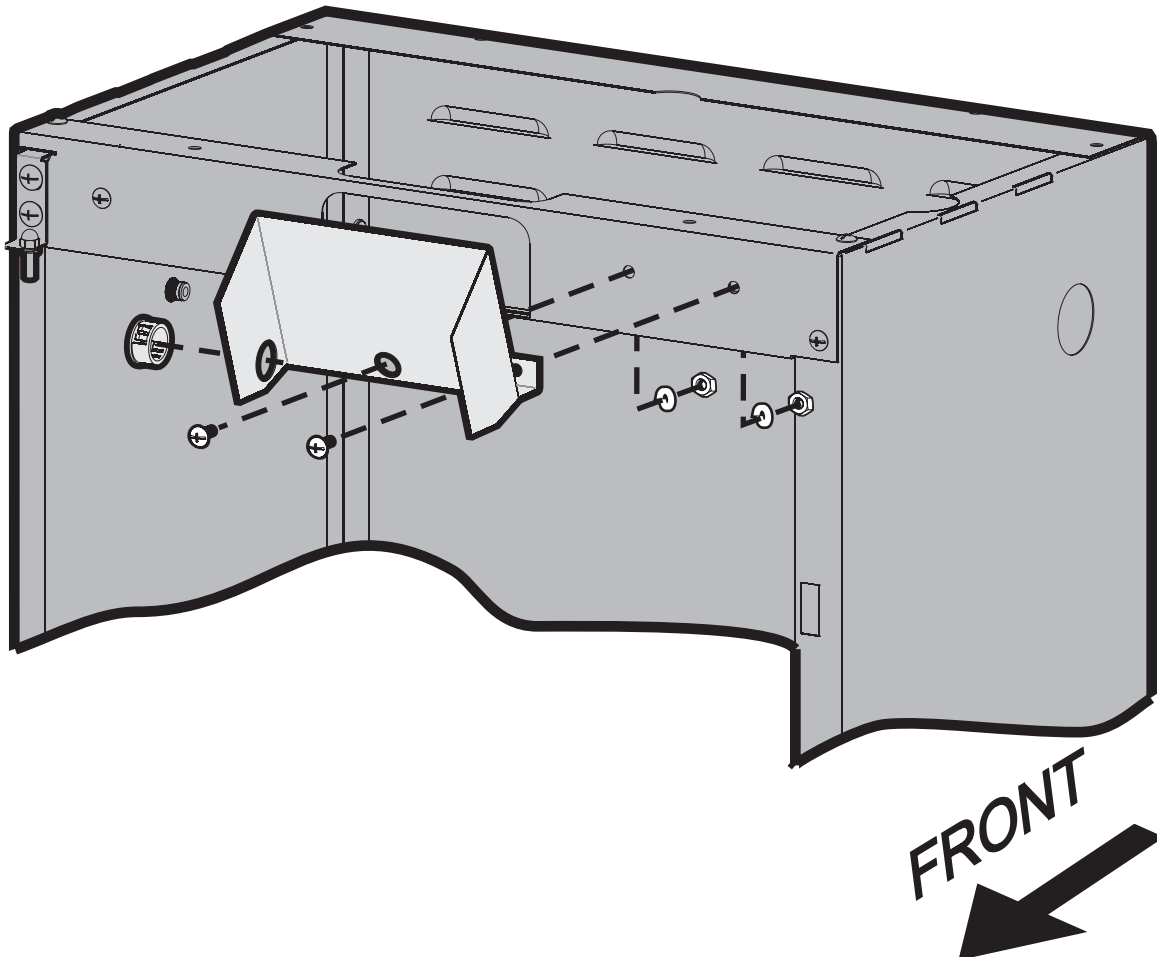
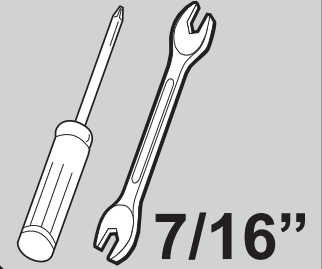
HEX NUT,
SS, 1/4-20
B076331(2)



SNAP BUSHING,
STAR
R882(1)

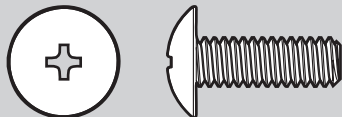


LOCK WASHER,
1/4 ID X 1/2 OD
B076333(2)



INSTALL STIFFENER BRACKETS

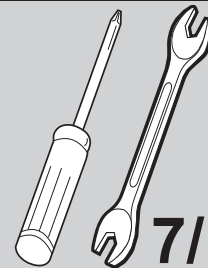
PHILLIPS PAN HEAD SCREW,
SS, 1/4-20 X 3/4
B072217 (4)



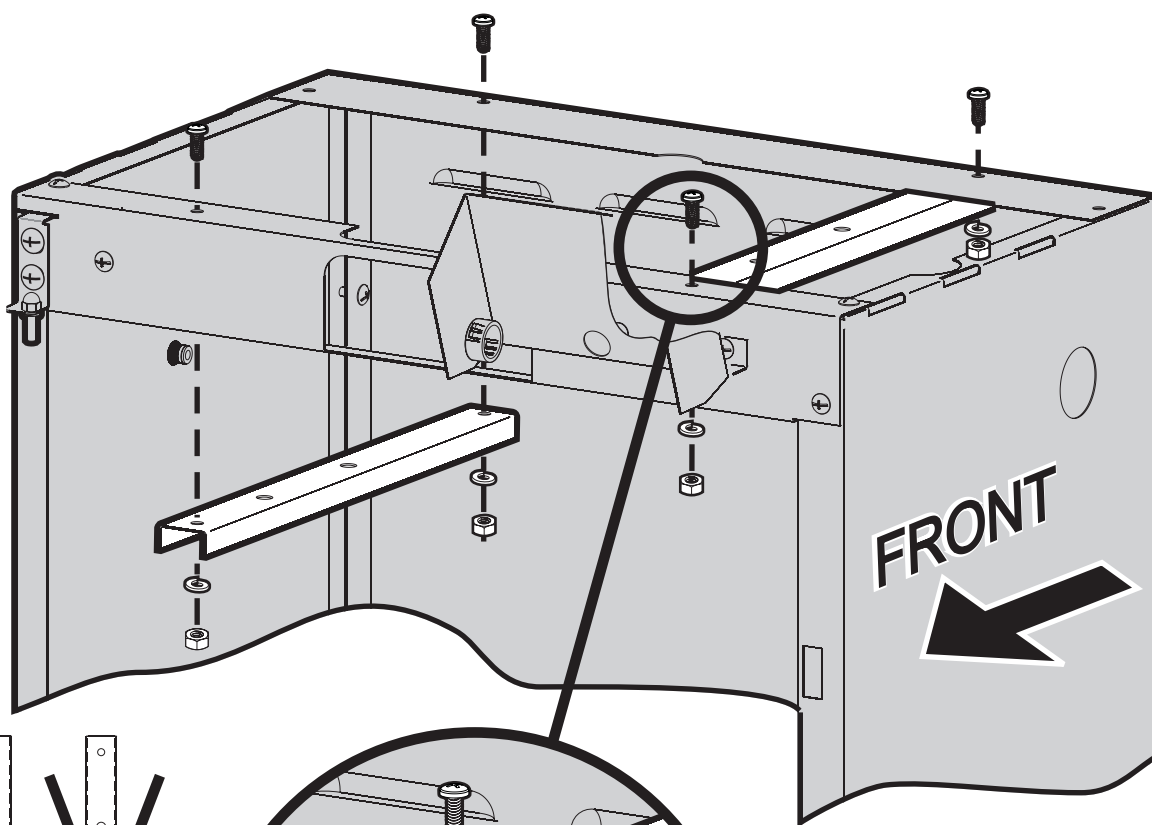
HEX NUT,
SS, 1/4-20
B076331(4)



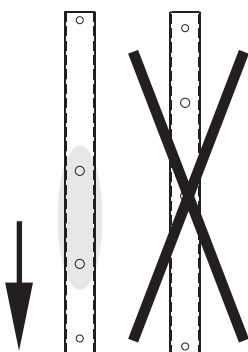
LOCK WASHER,
1/4 ID X 1/2 OD
B076333 (4)



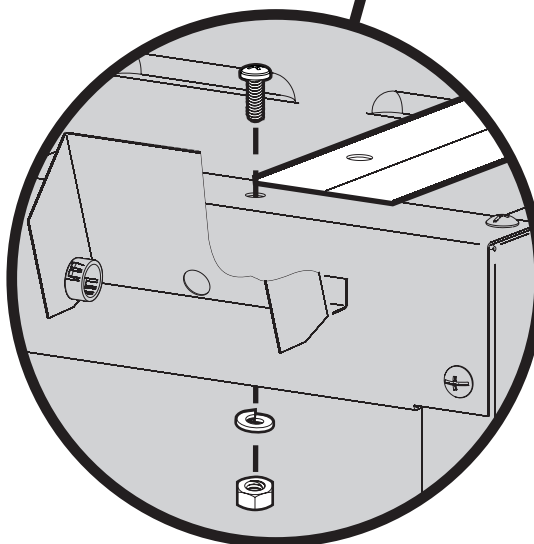
7/16"



FRONT
←



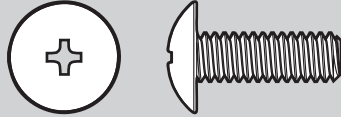
CART FRONT



Place Stiffener Brackets under the ledges of the Stabilizing Bracket and Rear Panel.

SECURE LEFT AND RIGHT PANELS TO REAR PANEL

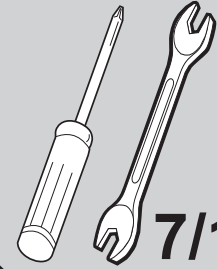
PHILLIPS PAN HEAD SCREW,
SS, 1/4-20 X 3/4
B072217 (2)



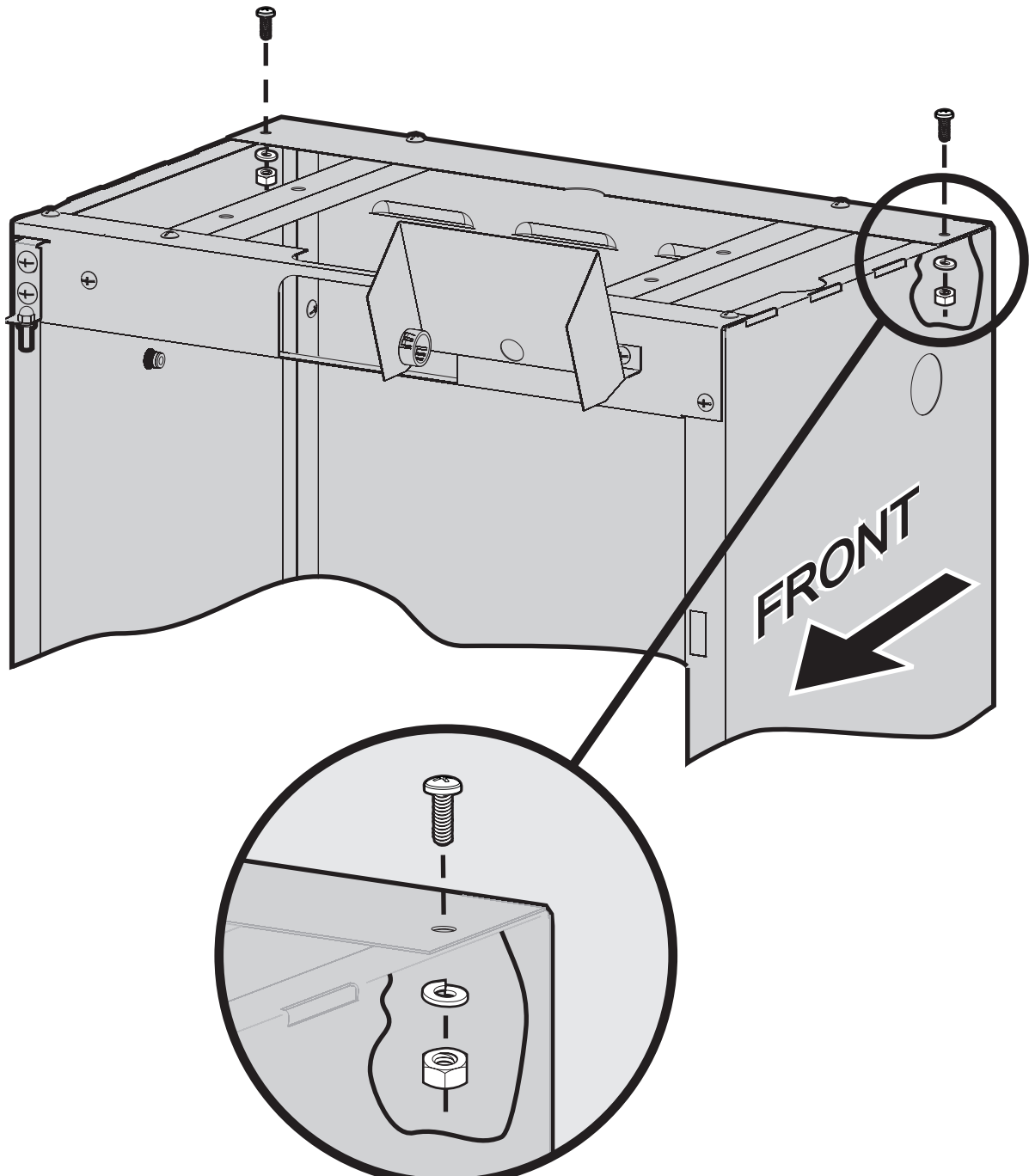
HEX NUT,
SS, 1/4-20
B076331(2)



LOCK WASHER,
1/4 ID X 1/2 OD
B076333(2)

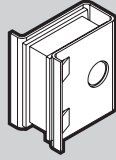


7/16"



INSTALL DOOR

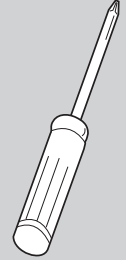
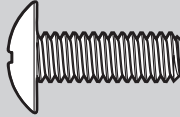
DOOR MAGNET,
B101761 (1)



DOOR SPACER
B101758 (1)

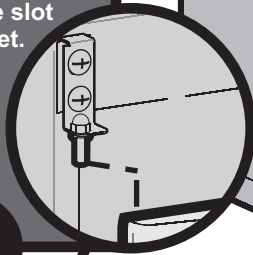


PHILLIPS PAN HEAD SCREW,
SS, 1/4-20 X 3/4
B072217 (2)
(FROM PREVIOUS STEP)



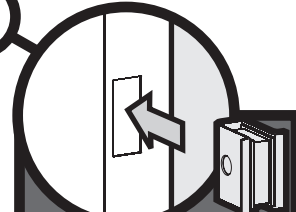
Place Peg on Hinge Assembly into the hole on the top left of the Door. Slide the tab on the Hinge Assembly into the slot on the Stabilizing Bracket. Before tightening screws, align Door so that it moves freely. Tighten screws left loose from previous

3



4

Snap Magnet into the hole provided in the Right Panel



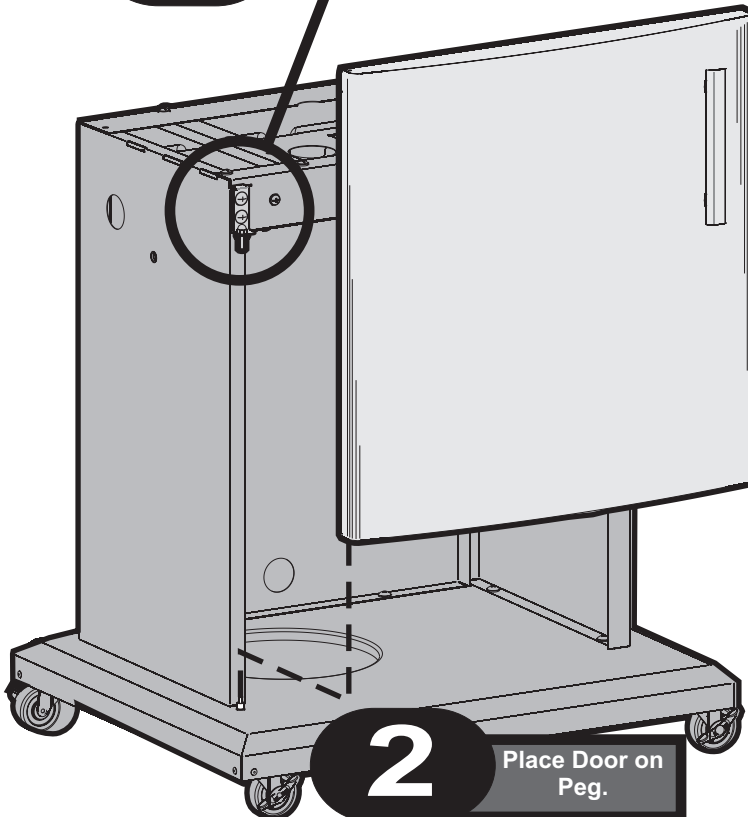
1

Place plastic Spacer on Peg on Cart Base



2

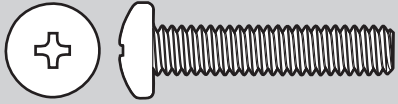
Place Door on Peg.



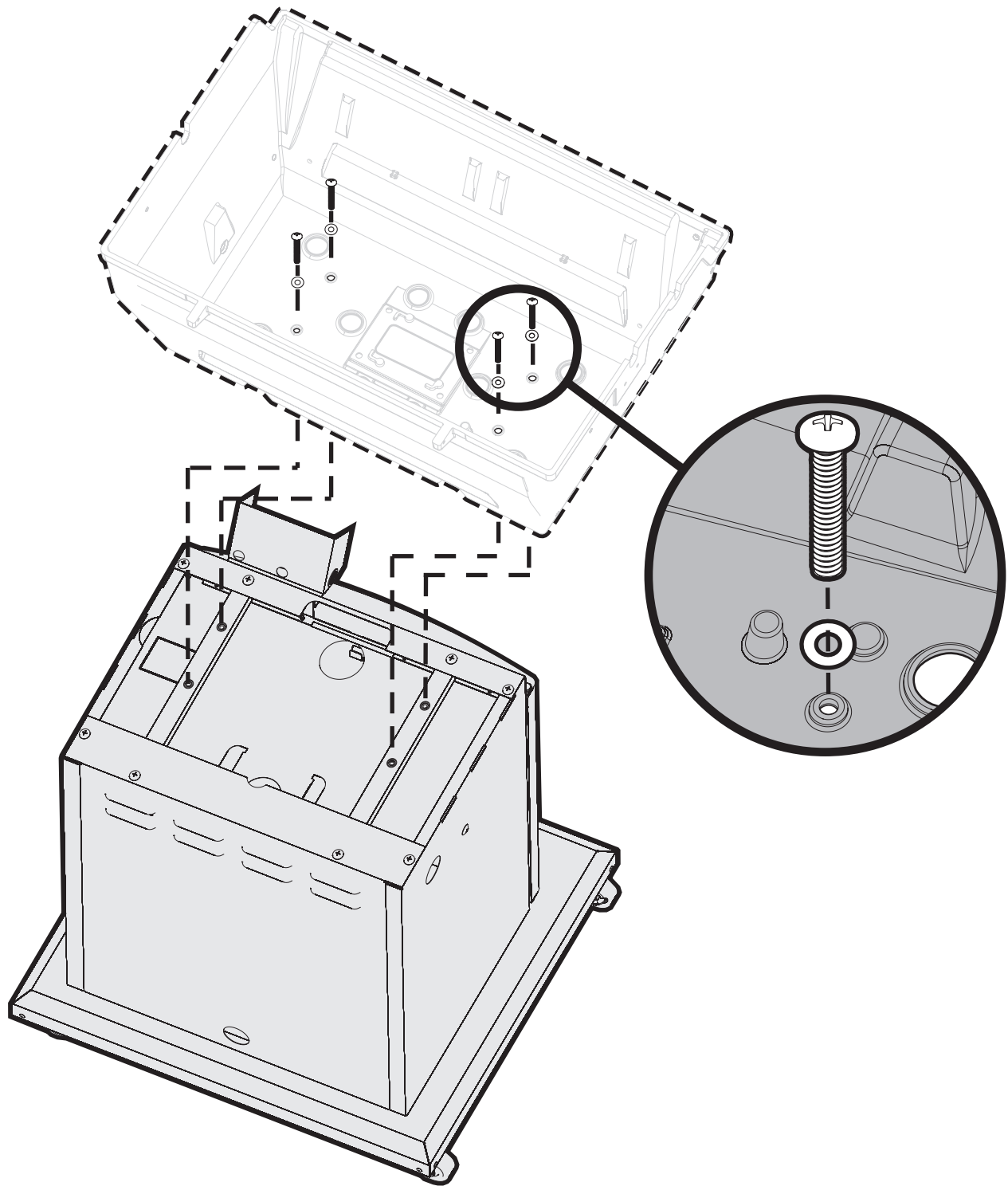
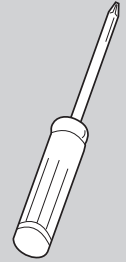
FRONT

ATTACH BOTTOM CASTING TO CART

PHILLIPS PAN
HEAD SCREW,
SS, 1/4-20 X 1-1/4
B100113 (4)

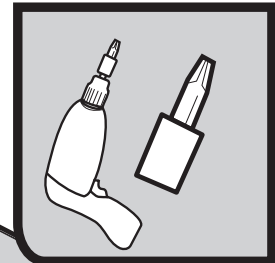
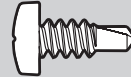


FLAT WASHER,
SS, 1/4 ID X 5/8 OD
B076332 (4)



HEAT SHIELD PLACEMENT

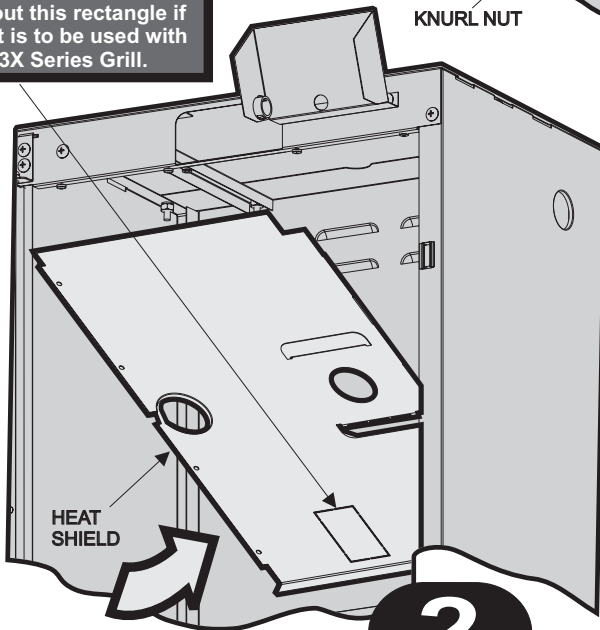
SELF-DRILLING PHILLIPS PAN HEAD SCREW,
SS, 10-16 X 1/2
R4059 (4)



Break out this rectangle if
the Cart is to be used with
a Q3X Series Grill.

KNURL NUT

1



HEAT SHIELD

2

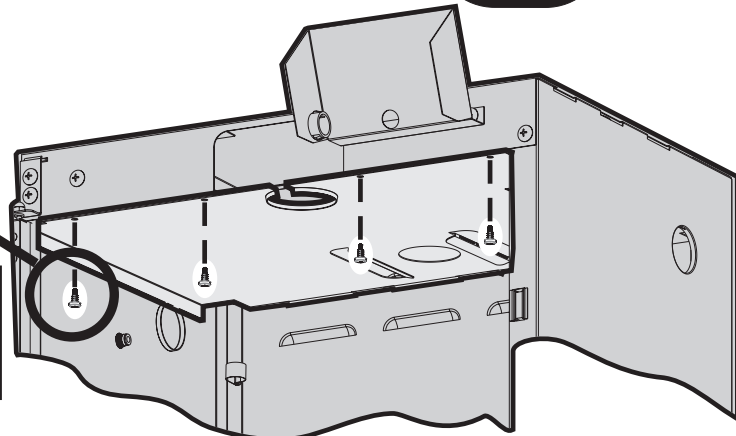
Slide Heat Shield over the knurl nut on
the Left Panel. Swing Heat Shield into
place. The Rear Tabs on the Heat Shield
will fit into the Upper Row of Louvers.

KNURL NUT

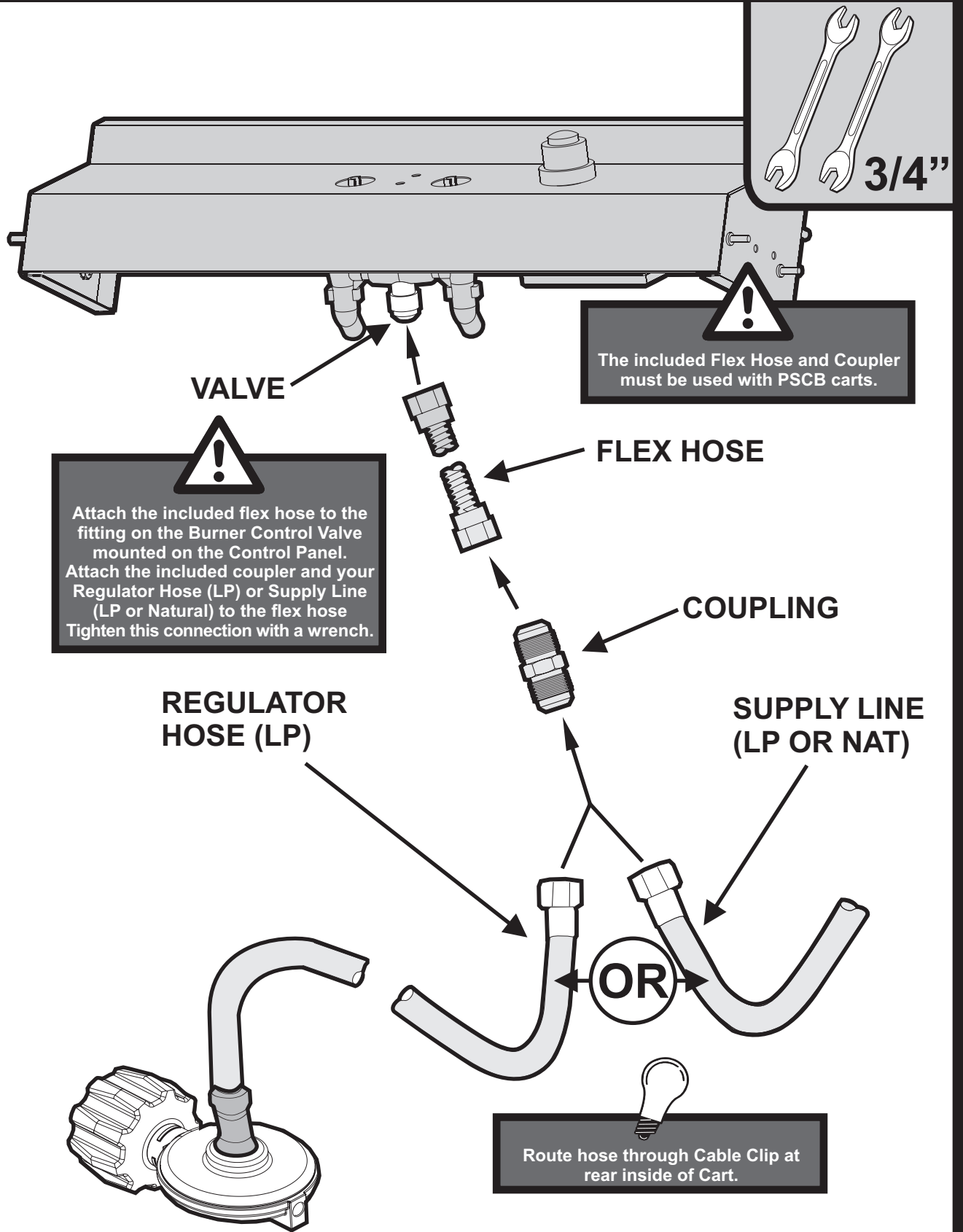
3

4

Secure Heat Shield to the Stabilizing
Bracket with
four self drilling screws.

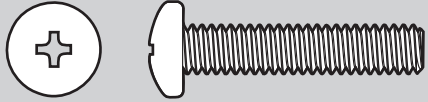


ATTACH HOSE & COUPLING

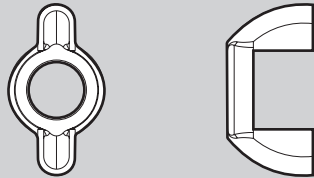


TANK RETAINER AND GREASE DRIP TRAY INSTALLATION

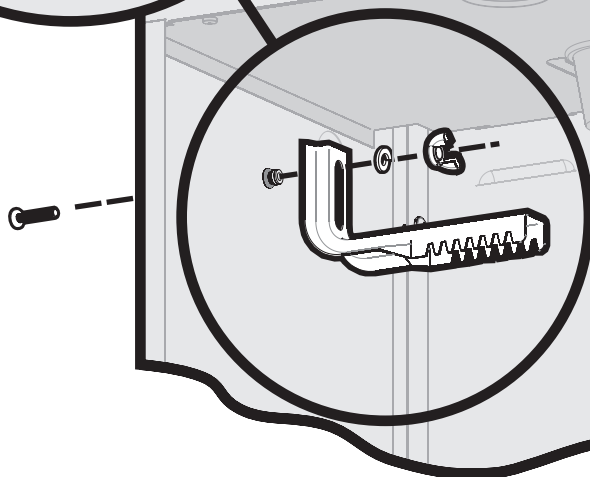
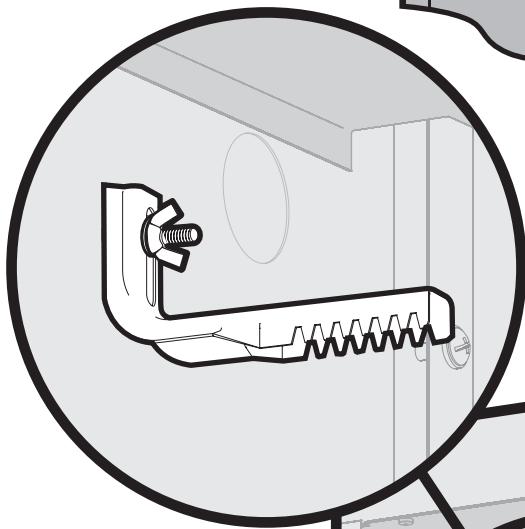
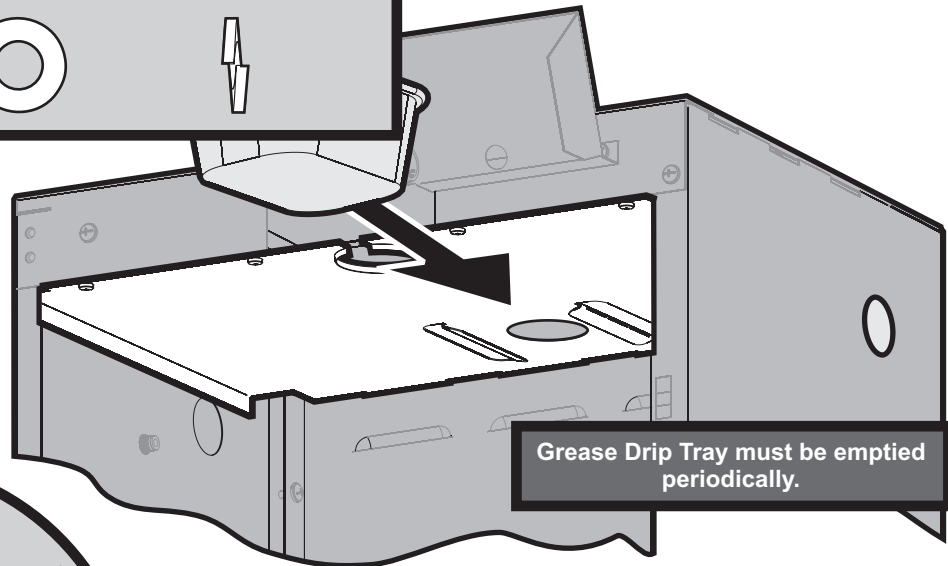
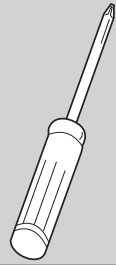
PHILLIPS PAN HEAD SCREW
SS, 1/4-20 X 1-1/4
B100113 (1)



WING NUT,
1/4-20
R1123 (1)



LOCK WASHER,
1/4 ID X 1/2 OD
B076333(1)



MASTER PARTS DISTRIBUTOR LIST

To order parts under warranty, please contact your local Broilmaster dealer. See the dealer locator at www.broilmaster.com.

To provide warranty service, your dealer will need your name and address, purchase date and serial number, and the nature of the problem. Please keep your receipt to establish ownership and date of purchase.

To order parts after the warranty period, please contact your dealer or one of the Master Parts Distributors listed below.

The Master Parts Distributor list changes from time to time. For the current list go to www.broilmaster.com and click on the Parts button.

Note: Master Parts Distributors are independent businesses that stock the most commonly ordered repair parts.

Dey Distributing

1401 Willow Lake Boulevard
Vadnais Heights, MN 55101

Phone: 651-490-9191

Toll Free: 800-397-1339

Website: www.deydistributing.com

Parts: Heater, Hearth and Grills

Victor Division of F. W. Webb Company

200 Locust Street
Hartford, CT 06114

Phone: 860-722-2433

Toll Free: 800-243-9360

Fax: 860-293-0479

Toll Free Fax: 800-274-2004

Websites: www.fwwebb.com & www.victormfg.com

Parts: Heater, Hearth and Grills

East Coast Energy Products

10 East Route 36
West Long Branch, NJ 07764

Phone: 732-870-8809

Toll Free: 800-755-8809

Fax: 732-870-8811

Website: www.eastcoastenergy.com

Parts: Heater, Hearth and Grills

Able Distributors

2501 North Central Avenue
Chicago, IL 60639

Phone: 773-889-5555

Toll Free: 800-880-2253

Fax: 773-466-1118

Website: www.abledistributors.com

Parts: Heater

HOW TO ORDER REPAIR PARTS

Parts Not Under Warranty

Parts can be ordered through your Service Person, Dealer, or a Master Parts Distributor. See this page for the Master Parts Distributors list. For best results, the **service person or dealer** should order parts through the distributor. Parts can be shipped directly to the **service person/dealer**.

Warranty Parts

Warranty parts will need a proof of purchase and can be ordered by your Service Person or Dealer. Proof of purchase is **required** for warranty parts.

All parts listed in the Parts List have a Part Number. When ordering parts, first obtain the Model Number and Serial Number from the name plate on your equipment. Then determine the Part Number (**not** the Index Number) and the Description of each part from the following illustration and part list. Be sure to give all this information . . .

Model Number / Dealer _____ Part Description _____

Serial Number / Dealer Phone Number _____ Part Number _____

Type of Gas (Propane or Natural) _____

Do not order bolts, screws, washers or nuts. They are standard hardware items and can be purchased at any local hardware store.

Shipments contingent upon strikes, fires and all causes beyond our control.

Your Broilmaster Premium Gas Grill is identified by model number, serial number, and gas type. This information is provided on a product identification label located on the grill's control panel. For your convenience, complete this section for future reference when contacting your dealer.

BROILMASTER®
PREMIUM GRILLS

BROILMASTER

A Division of Empire Comfort Systems, Inc.

918 Freeburg Ave.

Belleville, Illinois 62220

VISIT OUR WEB SITE AT www.broilmaster.com

If you have a general question about our products, please e-mail us at info@empirecomfort.com.

If you have a service or repair question, please contact your dealer.