

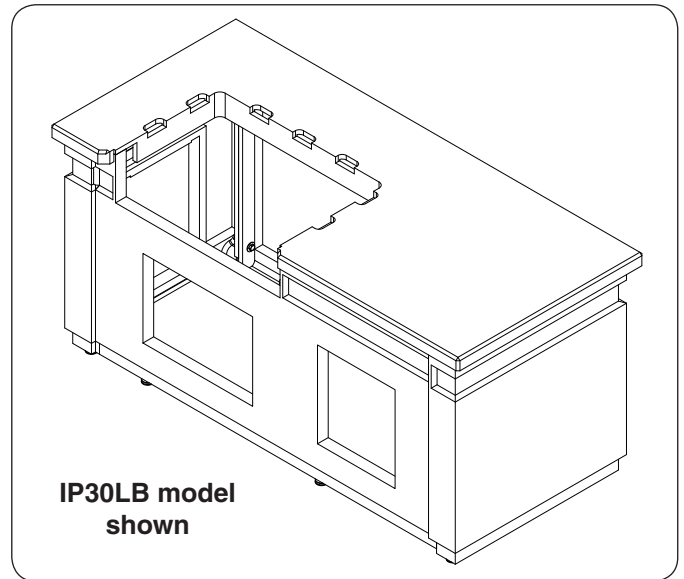


PRE-FAB GRILL ISLAND BUNDLE

Model #s: IP30LB-CGD-75SM
IP30TO-CGT-75SM

ASSEMBLY INSTRUCTIONS AND OWNER'S MANUAL

INSTALLER: Leave these instructions with consumer.
CONSUMER: Retain for future reference.



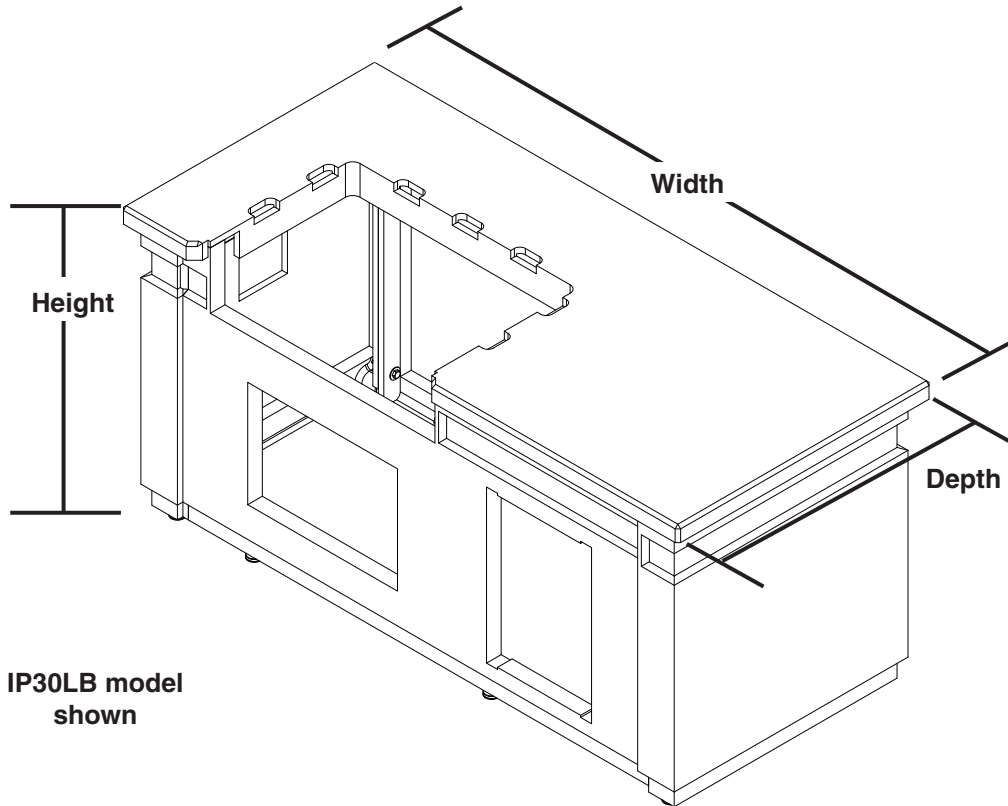
IMPORTANT: READ THESE INSTRUCTIONS CAREFULLY BEFORE STARTING INSTALLATION OR USE.

- When installing this island, it must be installed with the supplied A.O.G. grill and accessories.
- **Follow all instructions included with the grill and accessories to be installed into this island.**
- This island design provides all necessary ventilation.

SPECIFICATIONS AND DIMENSIONS

Description	Dimension
Height	36"
Width	76 1/4"
Depth	34 3/4"

Table 1 - Overall Island Dimensions



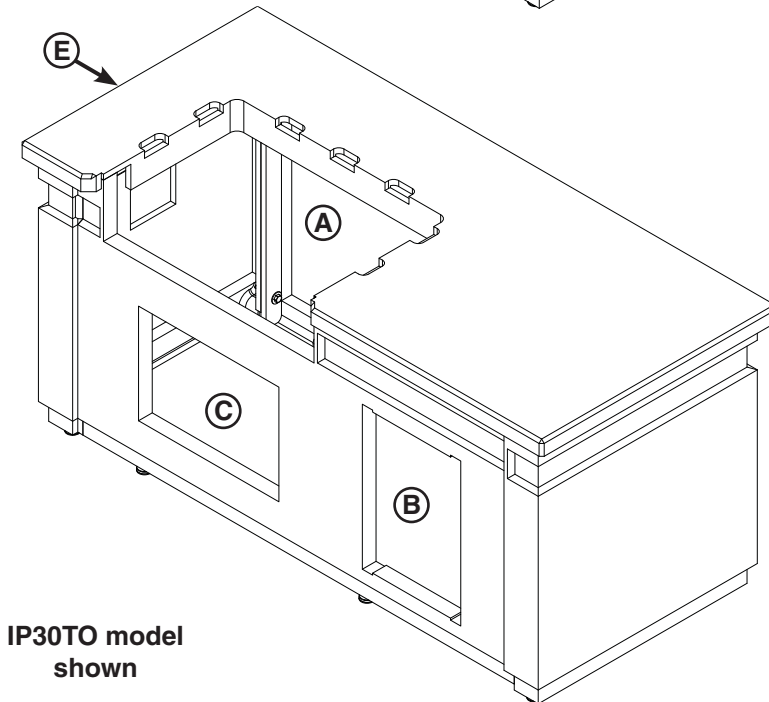
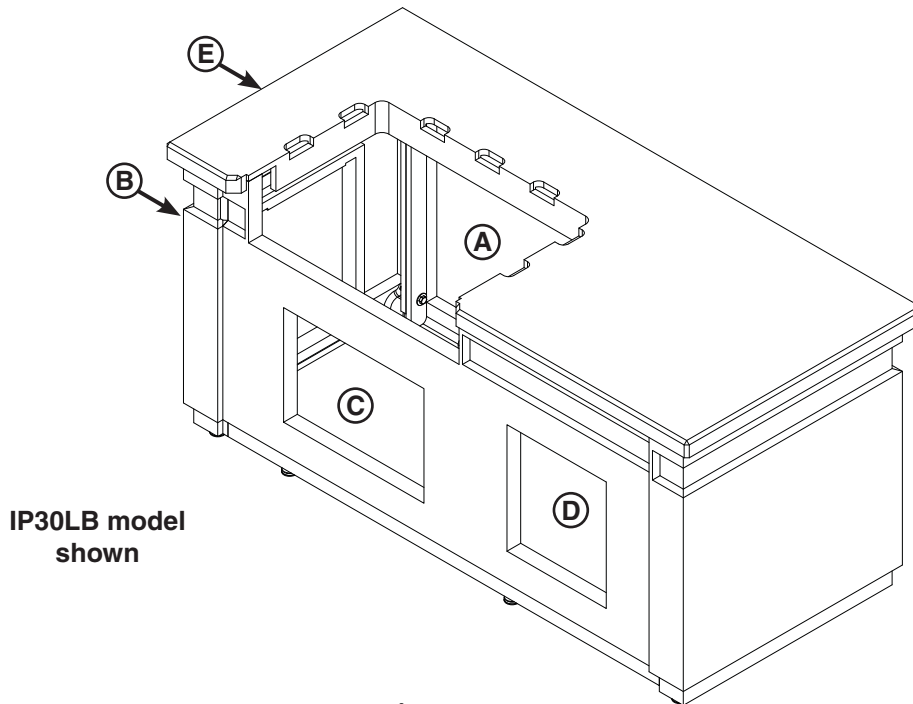
IP30LB model
shown

SPECIFICATIONS AND DIMENSIONS (Cont.)

Only the A.O.G. grill and accessories can be used with this island. **Below is a list of the items included with each island model.**

Item		IP30LB	IP30TO
A.	Grill	30NBL	30NBT-00SP
B.	Single Access Door with Tank Tray and Louvers	20-14-SSDLV	20-14-SSDLV
C.	Under Grill Access Door	14-20-SSDL	14-20-SSDL
D.	Double Drawers	16-15-DSSD	n/a
E.	Stainless Steel Gas Timer Box	5520-11T	5520-11T

Table 2 - Grill and Accessories Included



PARTS LIST

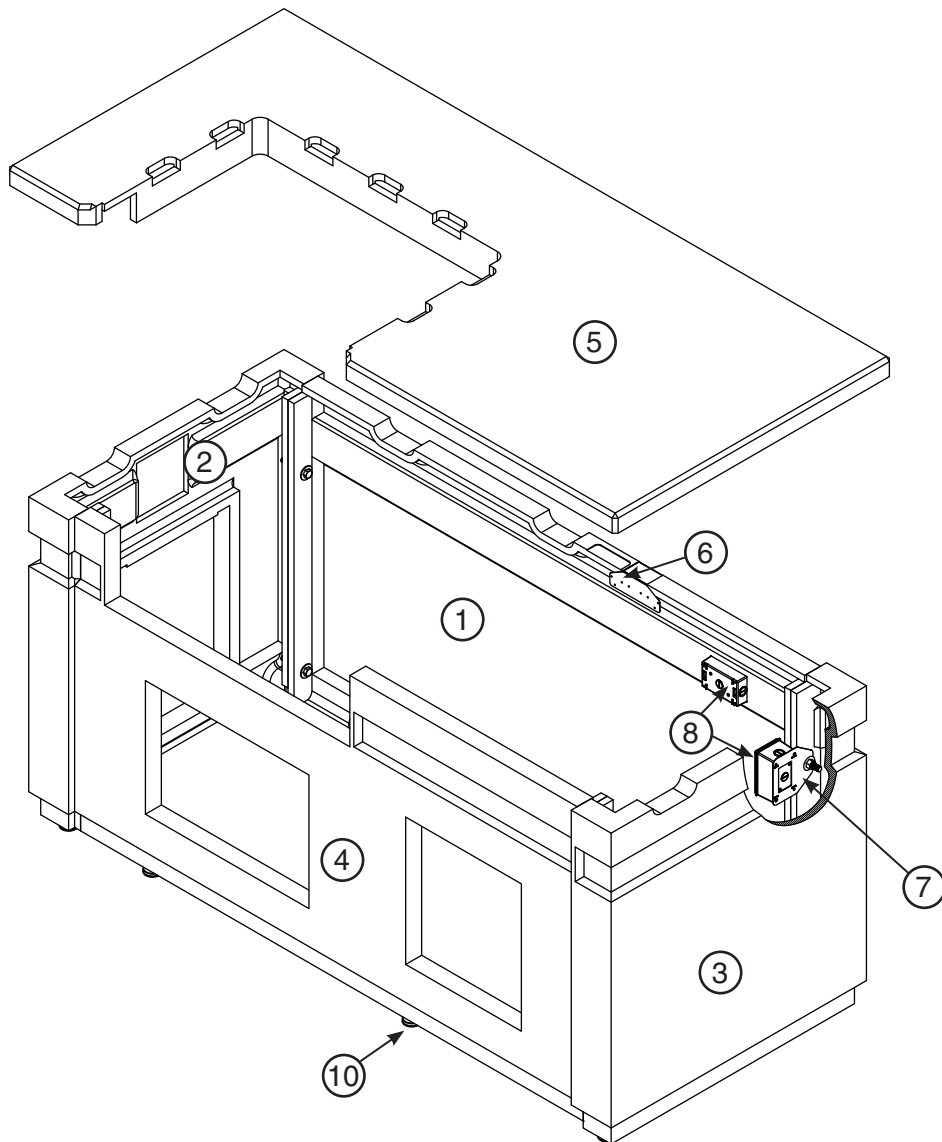
Item	Description	IP30LB	IP30TO
		Qty.	Qty.
1.	Rear wall	1	1
2.	Left wall	1	1
3.	Right wall	1	1
4.	Front wall	1	1
5.	Countertop	1	1
6.	Power supply box bracket (w/ Phillips screws)	1	1
7.	Outlet bracket	1	1
8.	Duplex outlet box assy.	2	2
9.	Door bracket (w/ hex screw)	12	8
10.	Leveler bolts	8	8
11.	Hardware kit A * †	8	8
12.	Timer box screws *	4	4

* not shown
† each kit contains: (1) 1/2"-13 x 3" bolt, (1) nut, (2) washers

- Your island is packaged onto 1 pallet.
- Select model is illustrated (your model may vary)

IMPORTANT
Remove all packing material (including any protective coatings) and discard prior to use.

**COMPONENTS ARE HEAVY
HANDLE WITH CARE**



**IP30LB
model shown**

ASSEMBLY AND INSTALLATION

WARNING: Failure to position the parts in accordance with these diagrams or failure to use only parts specifically approved with this unit may result in property damage or personal injury.

TOOLS REQUIRED

- $\frac{3}{4}$ " open end wrench, or equivalent (2)
- $\frac{1}{2}$ " open end wrench
- Power drill with $\frac{5}{16}$ " hex driver and #2 Phillips driver
- Level
- Flathead screwdriver

LOCATION

While following all requirements and safety information in the owner's manuals included with your products, determine and prepare the location of the island (a hard and level surface).

Note: A combustible surface is permitted.

Important: The gas supply and electrical setup must be considered when determining the location of the island. Refer to all owner's manuals included with your products for details (as applicable).

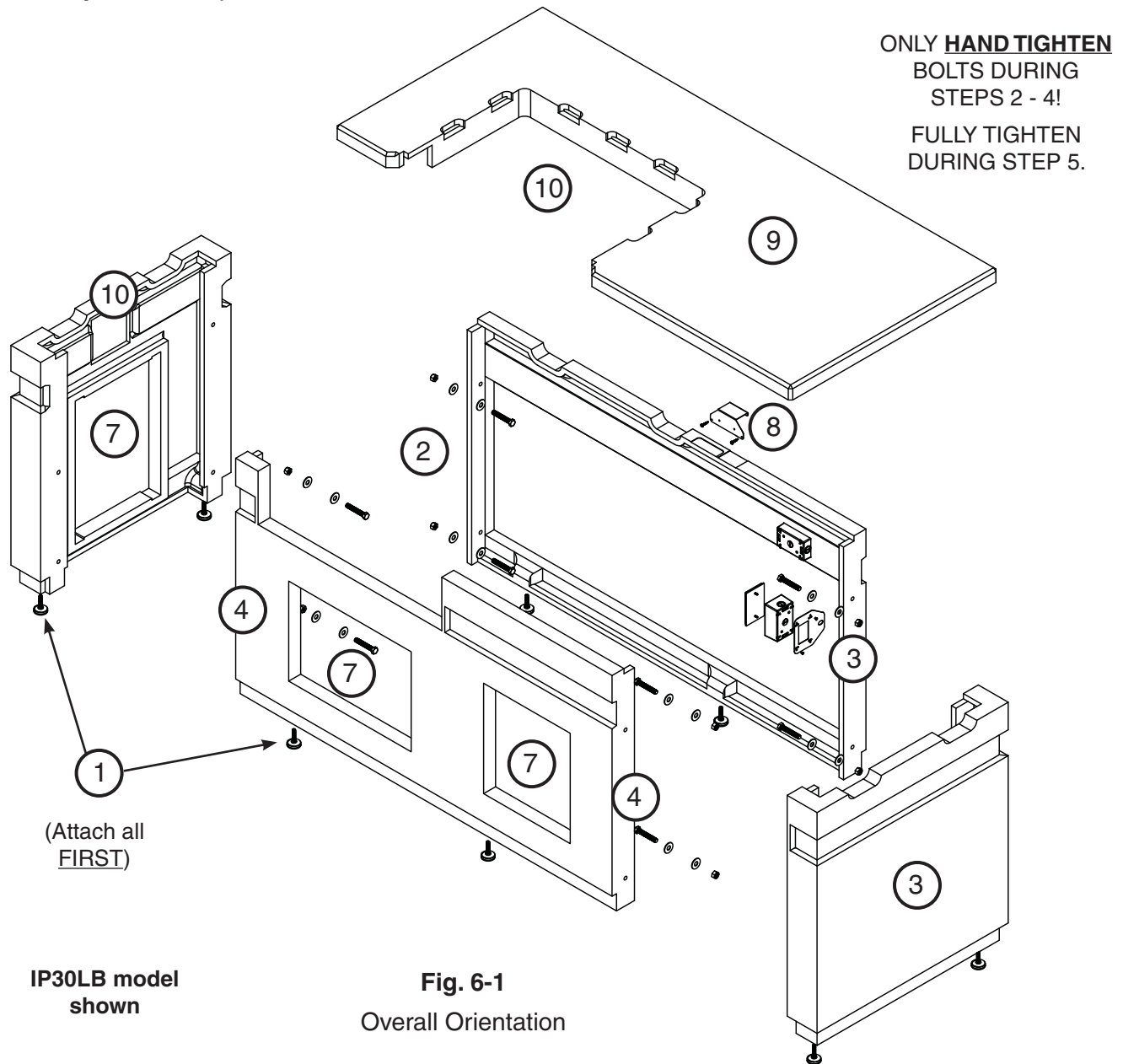
**ASSEMBLY AND INSTALLATION REQUIRES TWO OR MORE PEOPLE.
EXERCISE EXTREME CARE DURING ASSEMBLY AND INSTALLATION.**

ASSEMBLY AND INSTALLATION (Cont.)

ASSEMBLY AND INSTALLATION OVERVIEW

CAUTION: Island components are heavy. **CAREFULLY** handle all components during assembly. **Wear gloves.**

- Fig. 6-1 provides an overall orientation and bolt assembly detail for the island.
(IP30LB model shown. Assembly may slightly vary depending on island selected.)
- The IP30TO assembles in a similar manner.
- **This section is just an overview, refer to the following step-by-step section for complete assembly (and grill/ accessory installation) details.**



ASSEMBLY / INSTALL OVERVIEW

- | | | |
|--|--|--|
| 1. Attach all levelers | 4. Assemble front wall to left and right side walls | 7. Install drawer and/or doors |
| 2. Assemble left side wall & rear wall | 5. Adjust levelers to level top surfaces of unit evenly, ensure unit is square, then fully tighten all bolts (not shown) | 8. Install power supply box (only bracket shown) |
| 3. Assemble right side wall & install outlet box | 6. Install electrical (not shown) | 9. Place countertop |
| | | 10. Install grill and timer box |

ASSEMBLY AND INSTALLATION (Cont.)

ASSEMBLY AND INSTALLATION - STEP BY STEP

CAUTION: Island components are heavy. **CAREFULLY** handle all components during assembly.

Important: **DO NOT** fully tighten any bolts until the island base is leveled and squared. Hand tighten until instructed to fully tighten.

Note: IP30LB model shown here. Your assembly may slightly vary depending on model selected.

Attach Levelers

1. Locate the island pieces in an appropriate location (refer back to the LOCATION section if needed).
2. Carefully lay down all pieces that make up the island base and attach the levelers (see Fig. 7-1).

Important: The levelers are required for ventilation and leveling purposes.

Assemble Left Side and Rear Wall

Orient the left side wall and rear wall as shown. Carefully align the pilot holes, and insert the hardware (hardware kit A) in the order shown. Hand tighten only. See Fig. 7-2.

Assemble Right Side Wall and Install Outlet Box

Orient the right side wall and repeat the hardware installation process (hardware kit A) for the bottom hardware first. Ensure the top pilot holes are also aligned. Hand tighten only. See Fig. 7-3, A.

An outlet box assembly is provided and requires installation. Assemble the box as shown (using a flathead screwdriver), then repeat the hardware installation process to secure both the top of the right wall and the outlet box in place. Hand tighten only. See Fig. 7-3, B and Fig. 7-4.

Note: Covers are provided for any outlets that will not be used (if applicable).

Assemble Front Wall

Orient the front wall and repeat the hardware installation process (hardware kit A). Hand tighten only. See Fig. 7-5.

Installation continued on next page

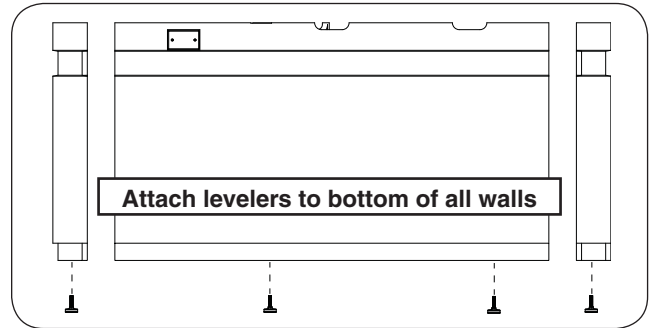


Fig. 7-1 Attach levelers

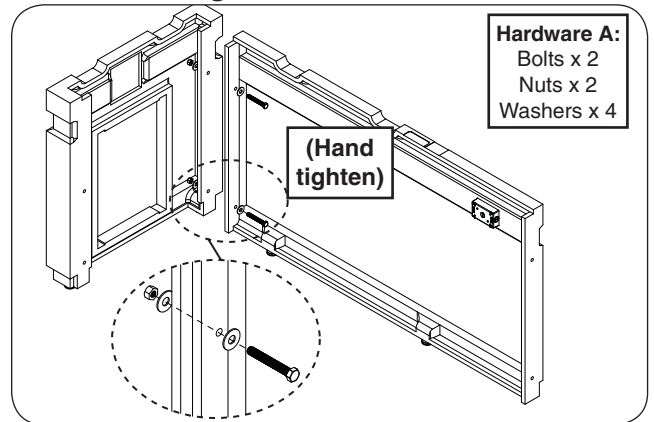


Fig. 7-2 Assemble left side and rear wall

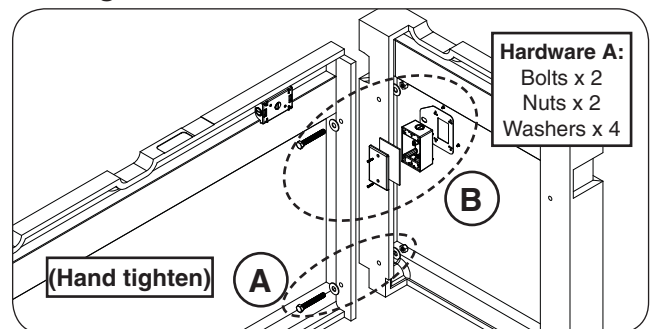


Fig. 7-3 Assemble right side wall and outlet box

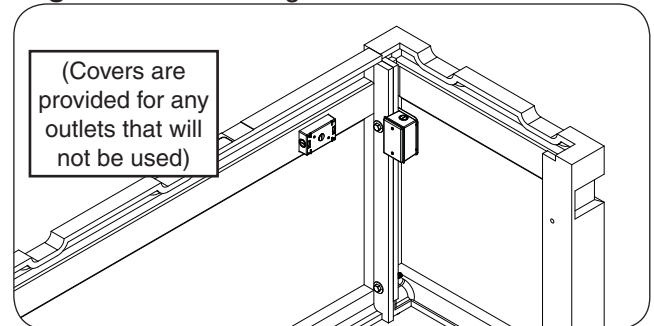


Fig. 7-4 Right side wall and outlet box installed

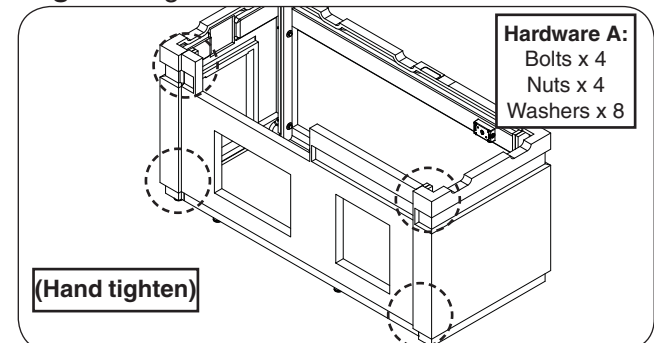


Fig. 7-5 Assemble front wall

ASSEMBLY AND INSTALLATION (Cont.)

Level, Square, & Fully Tighten Island Base

1. Use the level to ensure the top surfaces of the assembly are level. The levelers at the bottom of the island may be adjusted as needed with a $\frac{1}{2}$ " open end wrench. See Fig. 8-1.
2. Check for squareness of the island.
 - a. Measure the X outer dimension, see Fig. 8-2. It should be approximately $79 \frac{3}{4}$ ".
 - b. Measure the Y outer dimension, see Fig. 8-2. Carefully adjust the side walls as needed to ensure the X & Y dimensions are equal. (The final dimension may slightly vary from that mentioned in step a.)
 - c. Measure the Z outer dimension, see Fig. 8-2. It should be approximately $30 \frac{1}{2}$ ".
3. **Once the assembly is level and square, use the two $\frac{3}{4}$ " open end wrenches (or equivalent) to fully tighten all hardware. DO NOT OVERTIGHTEN.**

Note: Tightening of the hardware may slightly alter the setup. Check once more to ensure the island is level and square, and adjust if needed.

Install Electrical

Have a licensed electrician route the electrical setup for your island. Two outlet boxes are available. The primary box is located on the interior of the right wall. An additional box exists at the top of the rear wall. See Fig. 8-3.

Your installation may vary. **Follow all instructions included with the grill and accessories to be installed into this island. Observe the National Electric Code and all local codes.**

Installation continued on next page

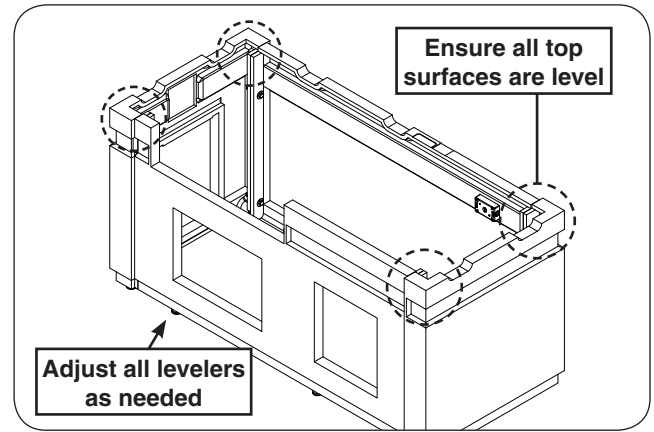


Fig. 8-1 Level assembly

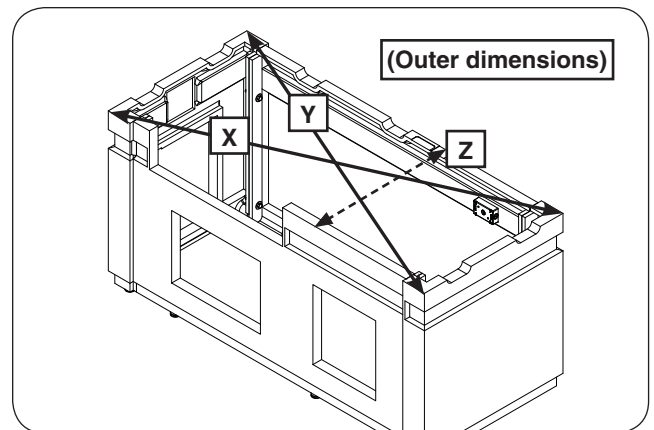


Fig. 8-2 Square unit (then tighten bolts)

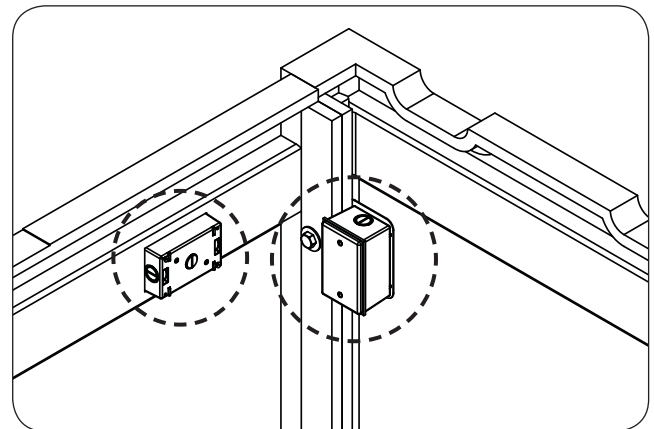


Fig. 8-3 Install electrical (as needed)

Install Doors and Drawers (as applicable)

The doors/drawers for your island are bundled with your island. Review the instructions provided with your accessories.

Brackets are provided for ease of installation in this island.
Follow the steps below.

1. Insert your unit completely into the appropriate opening. Ensure it is flush against the exterior flush against the exterior wall (see Fig. 9-1 and Fig. 9-2, step 1).
2. The unit will have 2 oblong cutouts (or round holes) on both the top and bottom of its frame. Reach from within the island and insert a bracket where a cutout exists, **below the frame**. See Fig. 9-2, step 2.
3. While squeezing the rear of the bracket and the front of the door frame **firmly** against the concrete wall, insert a hex screw and tighten with the power drill and 5/16" hex driver (see Fig. 9-2, step 3). DO NOT OVERTIGHTEN.

Note: Certain models may require a second person to hold the bracket against the concrete wall from within the island enclosure.

4. Repeat this process for the remaining brackets and the remaining drawers/doors in the island.

Note: Only the cutouts in the top and bottom of the frames require brackets.

Installation continued on next page

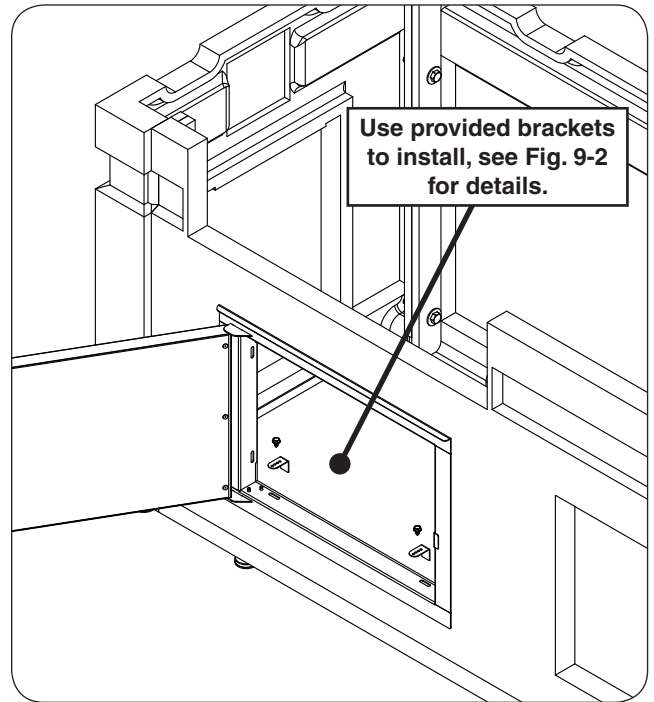


Fig. 9-1 Door / drawer install locations

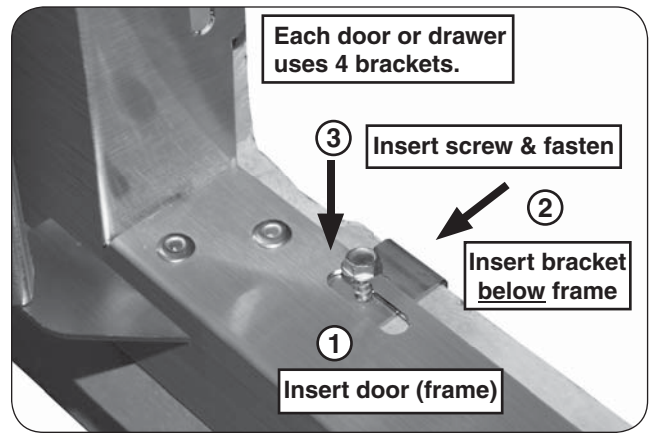


Fig. 9-2 Door / drawer install detail

ASSEMBLY AND INSTALLATION (Cont.)

Install Power Supply Box (if applicable)

If a power supply box is included with your grill, install as shown.

CAUTION: Refer to the grill owner's manual for all safety information regarding the power supply box.

A bracket is provided for installation in this island. Follow the steps below.

1. **First** place the power supply box bracket over the rear wall, in the groove just to the left of the outlet box (see Fig. 10-1).
2. Align the pilot holes on the power supply box with the holes on the bracket, then insert the two Phillips screws and tighten with the power drill and #2 Phillips driver (see Fig. 10-1). **DO NOT OVERTIGHTEN.**

Place Countertop

1. Apply silicone along the top of the island (see Fig. 10-2, A).
2. Place the countertop onto the island as shown in Fig. 10-2, B. (Be sure to align the cutout in the countertop with the opening in the front wall.)

Install Grill and Timer Box

The grill and timer box are bundled with your island. Follow all instructions provided with your grill and timer box for installation. See Fig. 10-3 for install location.

Note: When installing the timer box, use the screws provided with the island.

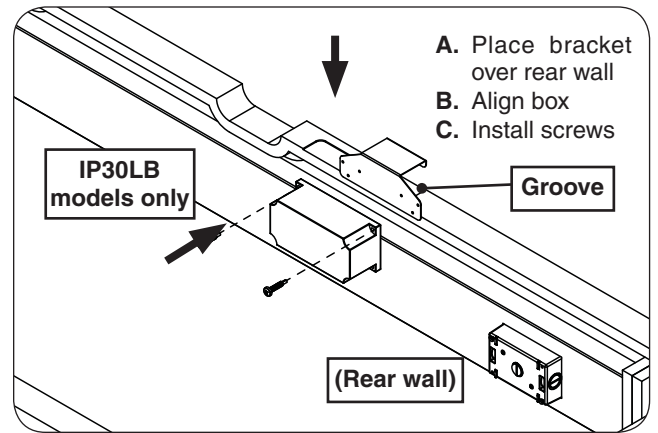


Fig. 10-1 Install power supply box (if applicable)

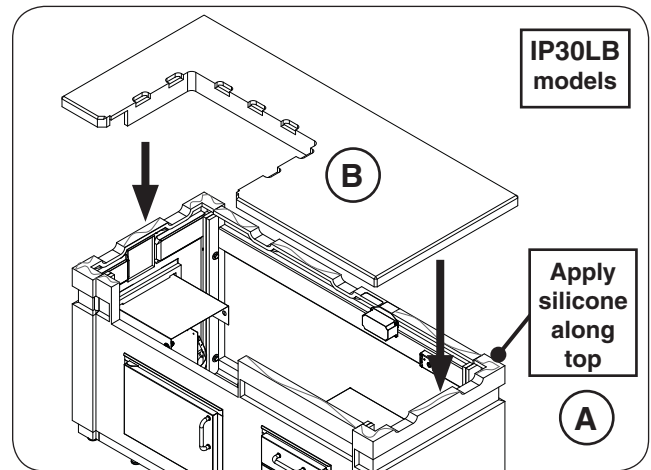


Fig. 10-2 Place countertop

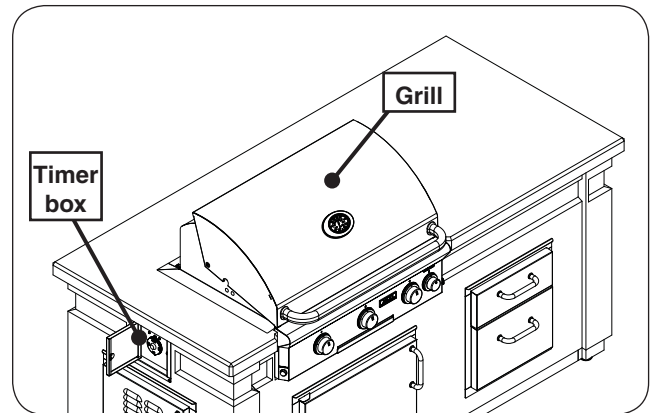


Fig. 10-3 Install grill and timer box

CARE AND CLEANING

- **Keep the vent openings and surrounding area of the of the island clear and free at all times.**
- For grill and accessory care and cleaning, refer to the owner's manuals provided with the units.

CONCRETE COMPONENTS

As with any surface, concrete components require regular maintenance and care. Certain guidelines must be followed to preserve the concrete's appearance and structural integrity.

- Use trivets to protect your countertop from high-heat.
- **Scratches may occur due to usage.** To minimize, avoid striking or dragging heavy, rough, or sharp objects across the countertop. Use a cutting board when using knives.
- **Spotting and hairline cracks may occur due to the nature of the product and are not considered a manufacturing defect.**
- **Concrete products are porous and susceptible to discoloration from liquids (especially oils and acidic substances).** During use, clean up any spills immediately to prevent any possible staining or damage to the finish. Avoid allowing water (or any liquid / substance) to stand on the surface. Using coasters for drinks is highly recommended.
- After each use, clean up any food particles or debris.
- **To clean the concrete, first wash with a mild soap and water solution. For stubborn stains, a vinyl brush may be used. Allow to dry. Annually, follow up with a masonry sealer in order to preserve the finish.**
- It should be noted that, like natural stone, concrete products will develop a patina when left outside. No two concrete products are identically the same and the finish will vary.

