



## Doors with Tank Tray

Model #s: 20-14-SSDLV, 20-14-SSDRV

**INSTALLER:** Leave these instructions with consumer.  
**CONSUMER:** Retain for future reference.



20-14-SSDLV shown

- When installing this unit directly below another unit, only install with AOG built-in products.
- It is recommended that silicon caulking (not supplied) is applied around the back of the door cabinet trim before sliding the cabinet assembly into the opening.
- **This unit must be installed per this instruction.**

**CAUTION:** Make sure the enclosure is properly vented. See the GRILL ENCLOSURE / VENTILATION REQUIREMENTS, VENTILATION section of your grill owner's manual, and consult your local codes.

**CAUTION:** FOLLOW ALL THE SAFETY WARNINGS AND INFORMATION FOUND IN THIS INSTRUCTION, ON YOUR PROPANE CYLINDER, AND IN YOUR GRILL OWNER'S MANUAL ABOUT SAFETY, STORAGE, MAINTENANCE, AND PROPER USE OF PROPANE GAS.

1. Remove the protective coating from the door.
2. Create the appropriate cutout in your island enclosure as specified for your model number. See Table 1-1 and Fig. 1-1.
3. Position the door in the opening (see Fig. 1-1).
4. Connect the flex connector (coming from the already installed AOG grill) to the adapter found on the exterior of the door assembly. See Fig. 1-2.
5. Place your propane tank in the door's tank tray and properly connect a regulator hose assembly to it. Then attach the hose to the adapter found on the interior of the door assembly. See Fig. 1-3.

Refer to the SAFE USE & MAINTENANCE OF PROPANE GAS CYLINDERS section for details on propane cylinder connection and important information.

Model #	Height	Width	Depth
20-14-SSD(L,R)V	21"	14 1/2"	20 1/2"

Table 1-1 Cutout dimensions table

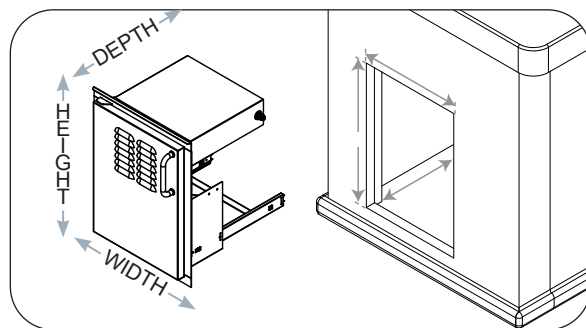


Fig. 1-1 Orientation

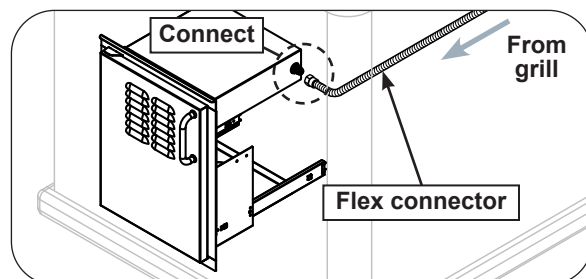


Fig. 1-2 Connect grill flex connector to unit

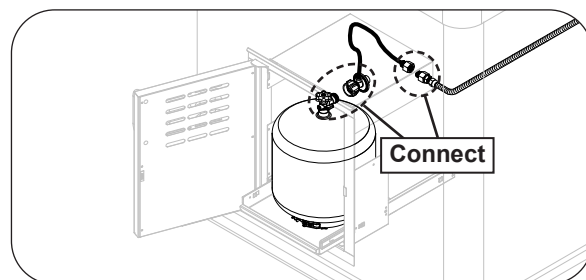
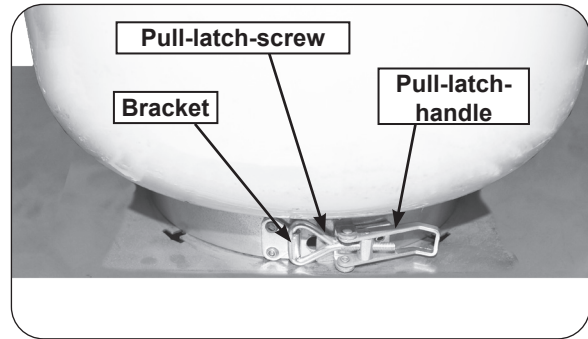


Fig. 1-3 Install tank and connect to unit

## INSTALLATION (cont.)

- Hook the round end of the pull-latch-screw over the bracket (found on collar of tray). Then snap the pull-latch-handle closed. Ensure the collar is securely holding the cylinder in place. (If needed the pull-latch-screw can be adjusted to tighten or loosen the collar.)
- Fasten the door securely into the island enclosure using the appropriate hardware for your enclosure (not supplied) through the installation screw slots in the top and bottom of the unit.

**Note:** The tank tray may be removed from its slides by pressing the black levers up/down and pulling outward.



**Fig. 2-1** Secure L.P. tank

Please use this page to record any information that you may want to have at hand.

# SAFE USE & MAINTENANCE OF PROPANE GAS CYLINDERS

## IMPORTANT FOR YOUR SAFETY

### READ AND FOLLOW ALL WARNINGS PROVIDED WITH THE PROPANE-GAS CYLINDER.

When operating this appliance with a propane-gas cylinder, these instructions and warnings **MUST** be observed.

**FAILURE TO DO SO MAY RESULT IN A SERIOUS FIRE OR EXPLOSION.**

## CYLINDER/CONNECTOR REQUIREMENTS

- a. Propane-gas cylinders, valves, and hoses must be maintained in good condition and inspected before each use of appliance. They must be replaced if there is any visible damage. If hose is cut or shows excessive abrasion or wear, it must be replaced before using appliance (see e.).
- b. This unit, when used with a cylinder, should be connected to a standard 5-gallon (20 lb.) propane-gas cylinder equipped with a listed overfilling prevention device. The device has been required on all cylinders sold since October 1, 1998, to prevent overfilling.
- c. Cylinder dimensions should be approximately 12" (30.5 cm) in diameter and 18" (45.7 cm) high. Cylinders must be constructed and marked in accordance with the U.S. Department of Transportation (D.O.T.) *Specifications for LP-Gas Cylinders*, or the *Standard for Cylinders, Spheres, and Tubes for Transportation of Dangerous Goods and Commission, CAN/CSA-B339*, as applicable.
- d. The cylinder used must include a collar to protect the cylinder valve, and the cylinder supply system must be arranged for vapor withdrawal.
- e. The pressure regulator and hose assembly used must match the specification for Type I by ANSI Z 21.58/CGA 1.6 (see Fig. 4-1).
- f. The propane-gas cylinder valve must be equipped with a cylinder connection device, described as Type I in the standard defined in paragraph e. above. This device is commonly described as an Acme thread coupler.
- g. If the propane-gas cylinder comes with a dust plug, place the dust cap on the cylinder valve outlet whenever the cylinder is not in use.

## COUPLER OPERATION

**To connect the regulator/hose assembly to the propane-gas cylinder valve fitting:** Press the hand nut on the regulator over the Acme thread fitting on the cylinder valve. Turn the hand nut clockwise to engage the threads and tighten until

snug. The use of pliers or a wrench should not be necessary. Only cylinders marked "propane" may be used.

**To disconnect:** Turn the hand nut counterclockwise until detached (Fig. 4-1).

**Important:** Before using the unit, and after each time the cylinder is removed and reattached, check the hose for wear (see a.) and check all connections for leaks. Turn off the unit valves and open the main cylinder valve, then check connections with soapy water. Repair any leaks before lighting the unit.

**CAUTION:** Always turn the propane cylinder main valve off after each use, and before moving the unit and cylinder or disconnecting the coupling. This valve must remain closed and the cylinder disconnected while the appliance is not in use, even though the gas flow is stopped by a safety feature when the coupler is disconnected.

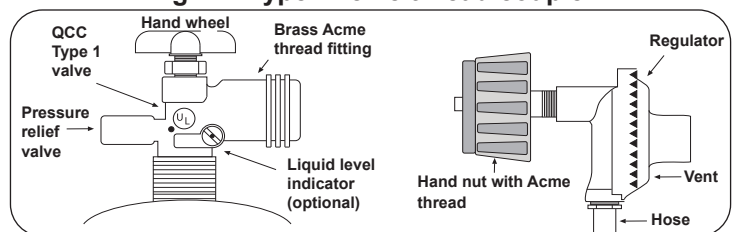
**Carefully** inspect the hose assembly each time before the gas is turned on. A cracked or frayed hose must be replaced immediately.

If the appliance is stored indoors, the cylinder must be disconnected and removed. Disconnected cylinders must be stored outdoors, out of the reach of children, with threaded valve plugs tightly installed, and must not be stored in a building, garage, or any other enclosed area.

## FOR YOUR SAFETY

- a. **DO NOT** store a spare propane-gas cylinder under or near this appliance.
- b. **NEVER** fill the cylinder beyond 80-percent full.
- c. **IF THE INFORMATION IN a. AND b. IS NOT FOLLOWED EXACTLY, A FIRE CAUSING DEATH OR SERIOUS INJURY MAY OCCUR.**

**Fig. 4-1 Type I Acme thread coupler**



**For propane ventilation and enclosure requirements,  
see the owner's manual provided with your grill.**