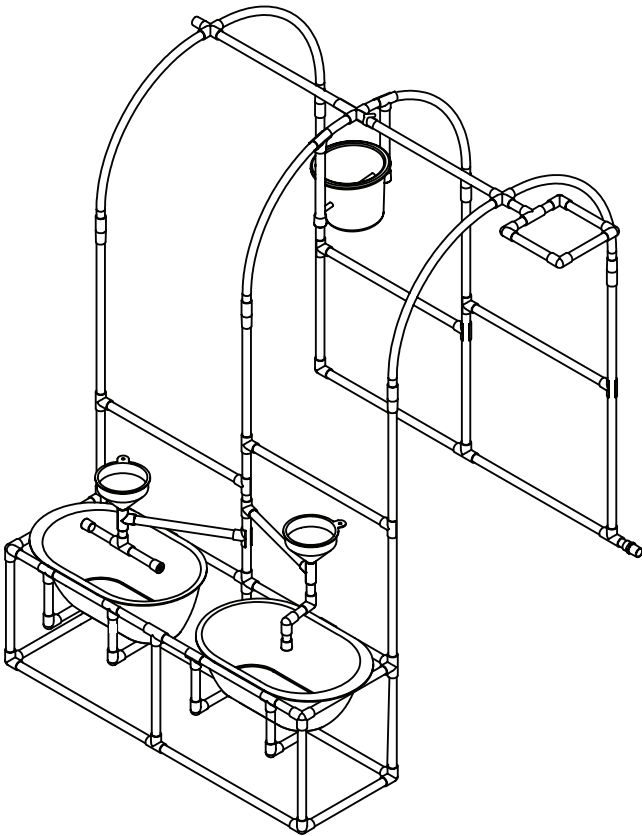


milliard™

Water Park

Congratulations on the purchase of your Water Park!



PRECAUTION:

Always read and follow instructions before use | Always use the unit according to the manufacturers guidelines | Only use the unit in a manner as intended by manufacturer.

⚠️WARNING: DO NOT CLIMB ON OR HANG FROM THE STRUCTURE.
THIS PRODUCT IS TO BE ASSEMBLED BY AN ADULT
CAUTION: NOT FOR CHILDREN UNDER 3 YEARS.

NEVER LEAVE CHILDREN UNATTENDED WHILE USING THE WATER PARK.

INSPECT THE BUCKET BEFORE EACH USE TO ENSURE THAT THE RUBBER COATING IS NOT DAMAGED.

DO NOT USE IF THE RUBBER COATING IS DAMAGED OR DISCONNECTED.

Did your Rocking Bassinet come with any damaged or missing parts?

WE'RE HERE TO HELP

Our team of dedicated customer care professionals are ready to help you with any questions or concerns you may have.

For immediate attention, call Monday-Thursday 9:00am-5:00pm & Friday 9:00am-1:00pm.

Or you can leave us a voice message or email, and we guarantee you will hear back from us within one business day.

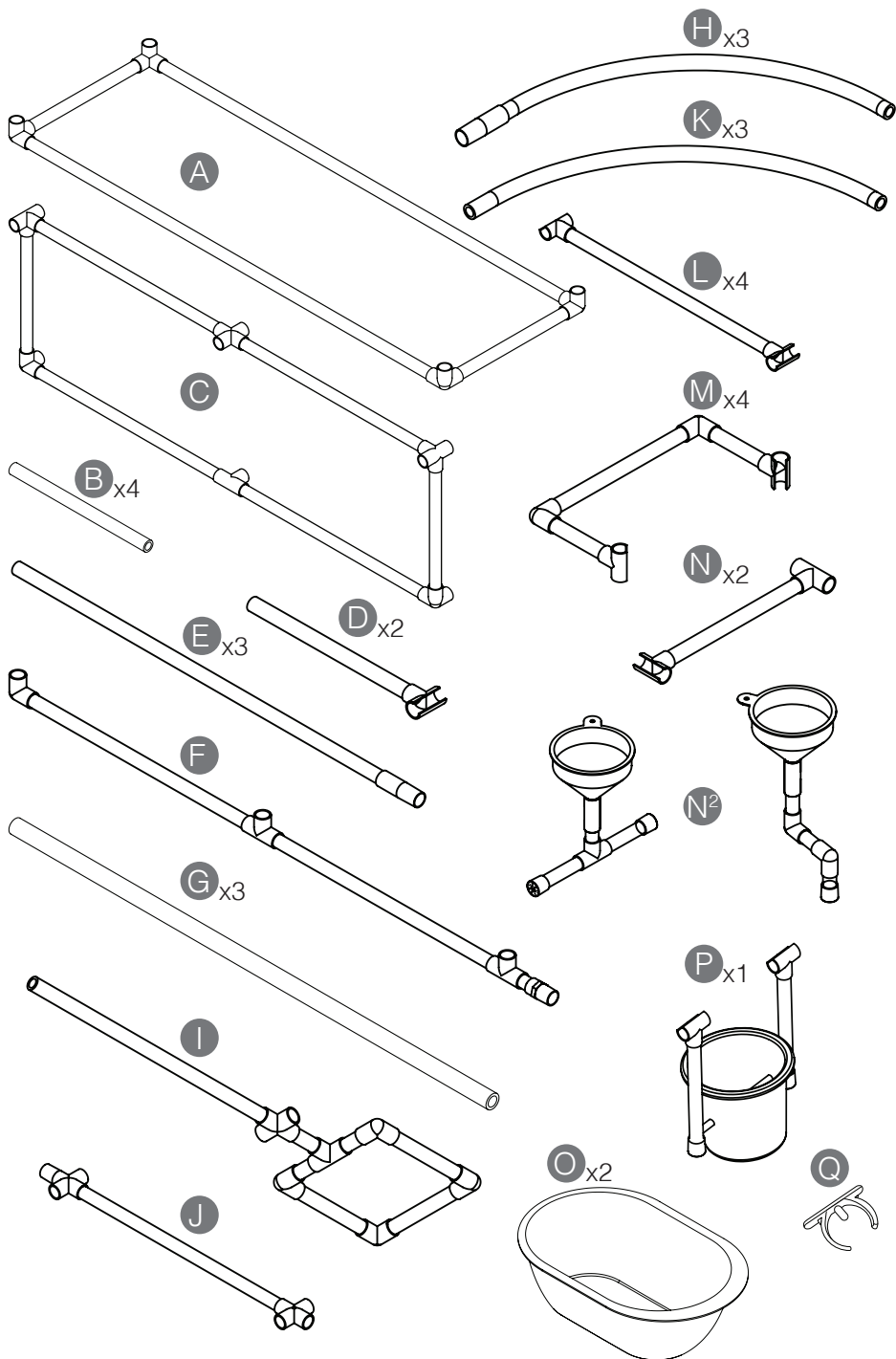
Phone: 866-686-4891
Email: info@milliardbrands.com

MAINTENANCE:

To upkeep the unit, periodically dust and wipe it with a damp cloth. For more extensive cleaning, use a mild wood cleanser and a soft cloth.

DISCLAIMER: MILLIARD™ ASSUMES NO LIABILITY OR RESPONSIBILITY FOR ACCIDENTS OR INJURIES TO PERSONS OR PROPERTIES ASSOCIATED WITH THE IMPROPER USE OF THIS PRODUCT. NOR DOES MILLIARD CONDONE PROHIBITED OR UNLAWFUL USES. THIS PRODUCT MUST BE USED AS DIRECTED AND ALL SAFETY PRECAUTIONS MUST BE FOLLOWED AT ALL TIMES IN ACCORDANCE TO FEDERAL AND LOCAL LAWS OR REGULATIONS. BUYER ASSUMES ALL RISKS AND LIABILITY FROM MISUSE OF THIS PRODUCT AND MILLIARD SHALL NOT BE HELD LIABLE BEYOND THE INITIAL PURCHASE COST OF THE PRODUCT FOR ANY DAMAGES ARISING FROM ITS MISUSE.

WATER PARK PARTS

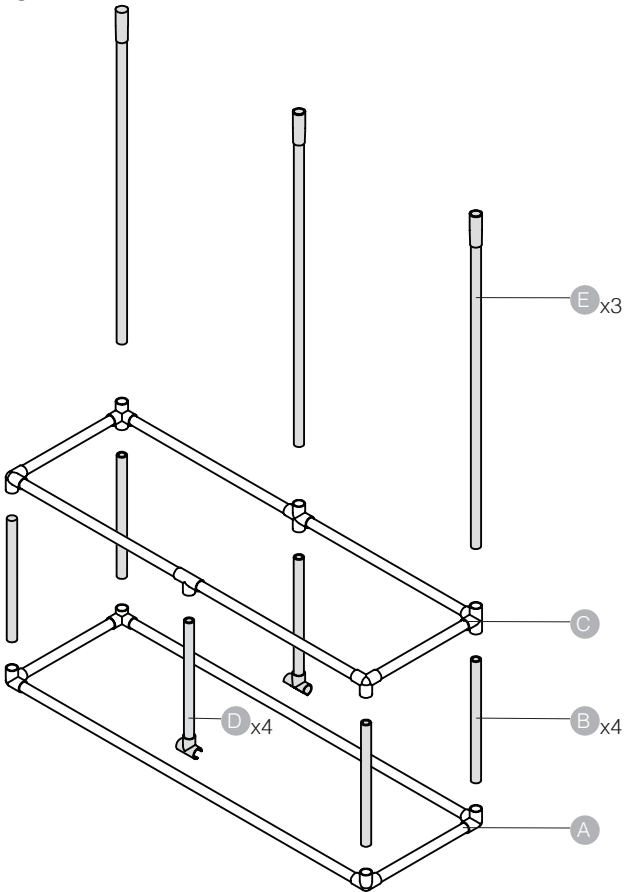


ASSEMBLY INSTRUCTIONS

IMPORTANT: Assemble this product in its location of use. Moving the product after assembly may cause the structure to fall apart.

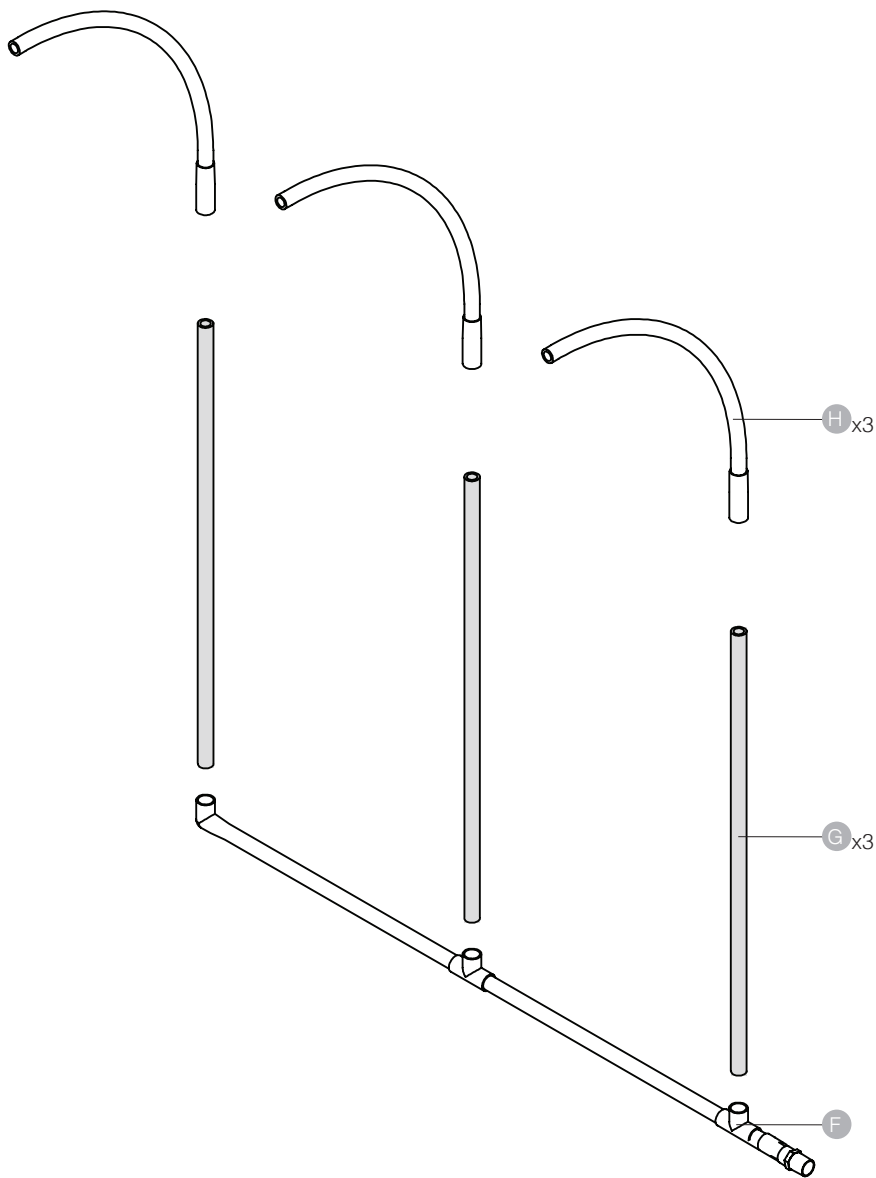
STEP 1

- Beginning with the bottom, insert part **B** into each connector in part **A**.
- Connect part **D** in the middle of part **A**.
- Place part **C** on top. Push down to ensure that all parts are connected securely.
- Insert part **E** into each of the open connectors at the top of the structure.



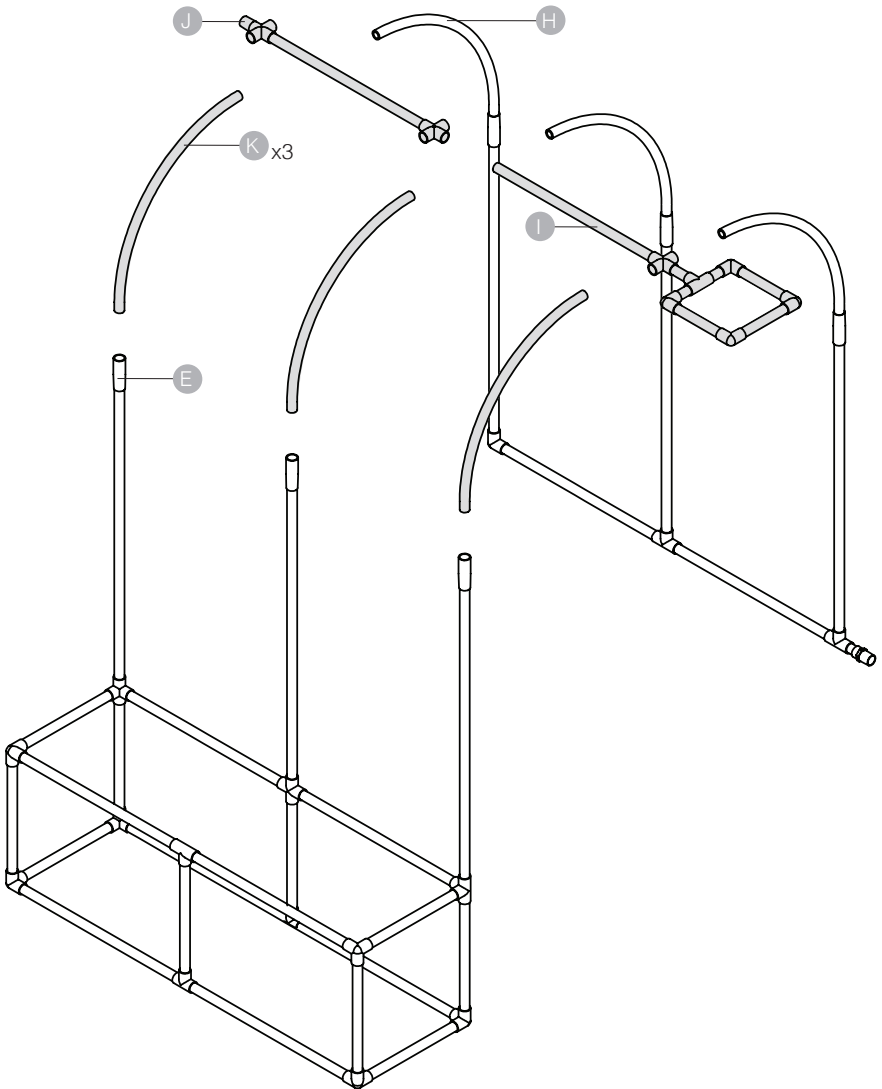
STEP 2

- Lay part **F** on the floor, open connectors facing upwards.
- Insert part **G** into each connector.
- Connect part **H** to each of the poles.



STEP 3

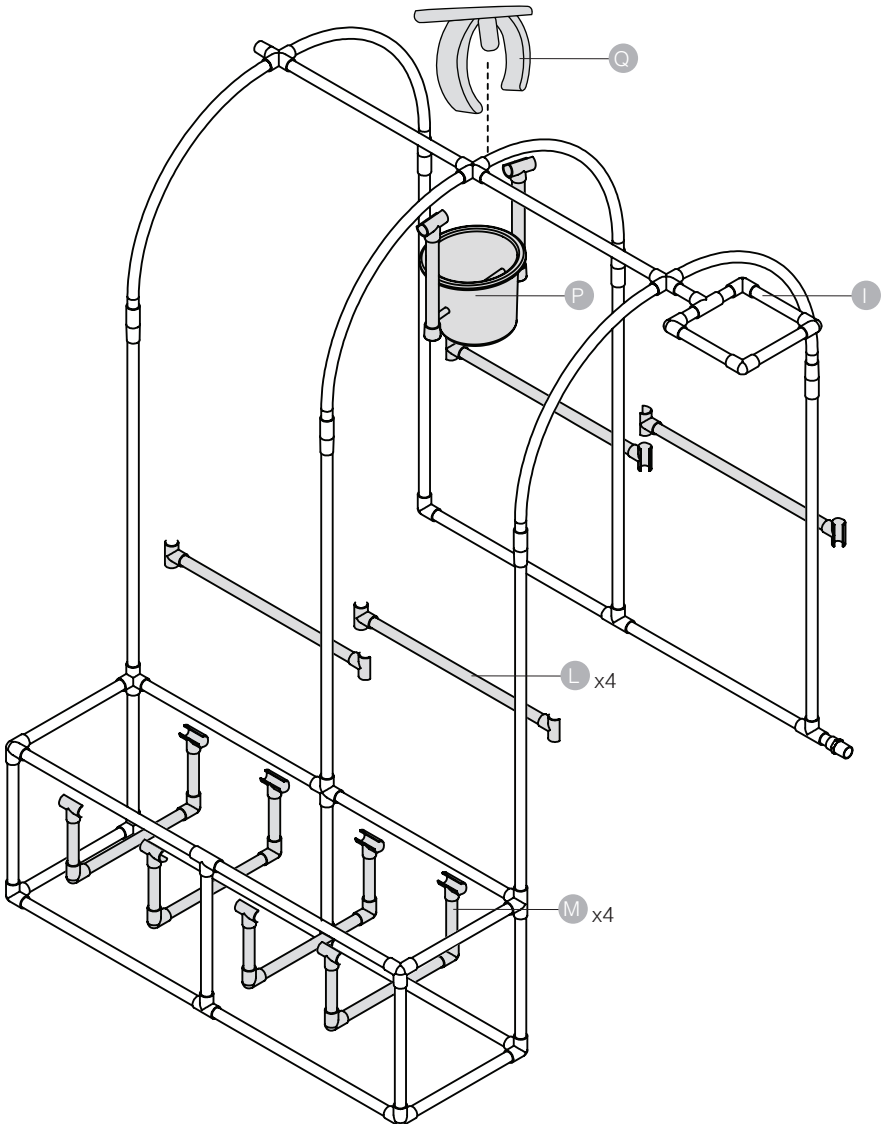
- Connect part **I** and part **J**.
- Insert part **K** into the tubes of part **E** at the top of the first assembled structure.
- Join the 2 assembled structures by connecting them along the center support (part **I** + part **J**).



Note: The water hole on part **J** should face downwards.

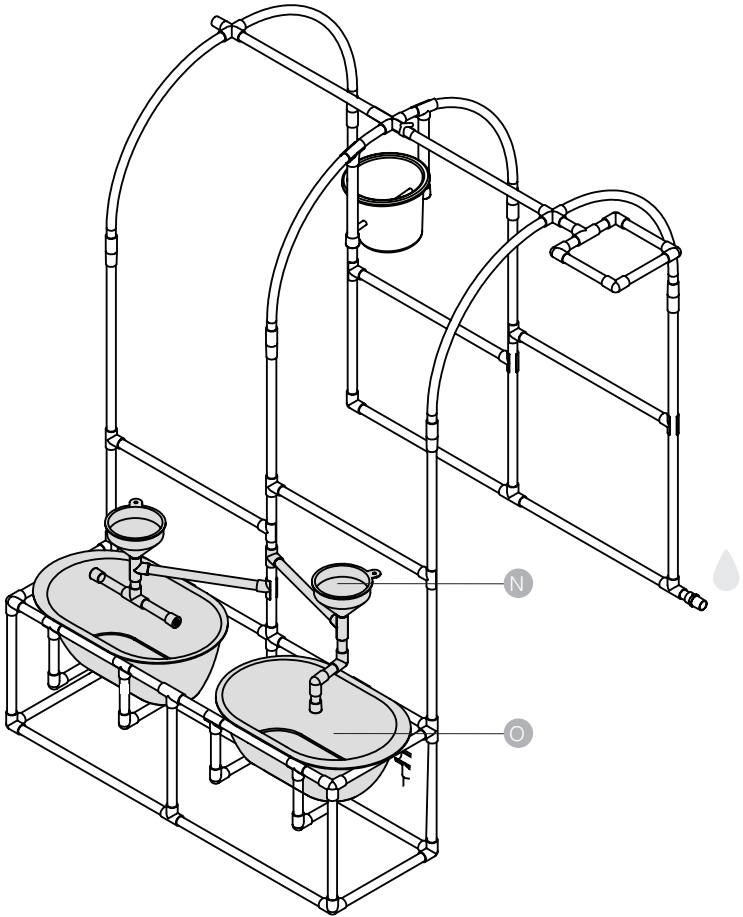
STEP 4

- Secure part **I** by inserting part **Q** into the holes in both the connector and the tube. .
- Snap part **L** on to the vertical supports.
- Snap part **M** on to the activity table.
- Snap part **P** on to the middle arch with the bucket positioned directly under the water hole on part .



STEP 5

- Snap part **N** on the middle vertical support over the water table area.
- Attach the funnels and pipes to the funnel supports.
- Insert water basins **O** into the frame
- You are now ready to connect the hose.



Important: Please ensure that all connections are tight before attaching a hose. If water leaks occur, you will need to tighten the connections by pushing them together or using a rubber mallet to bang them closed.

After attaching the hose, open the water slowly. You can adjust the sprinkler flow by lowering and raising the water pressure on the hose. This product is designed to withstand standard water pressure from a garden hose, and should not be used with high pressure water sources.