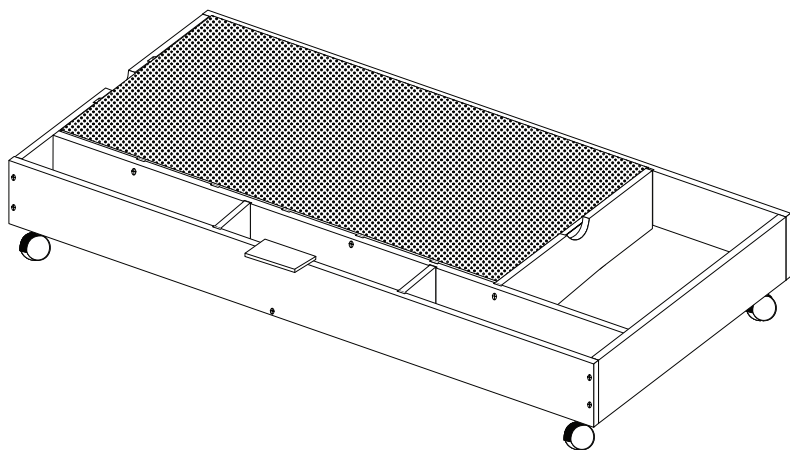




Hideaway Organizer

MANUAL



PRECAUTION: ALWAYS READ AND FOLLOW INSTRUCTIONS BEFORE USE. ALWAYS USE THE UNIT ACCORDING TO THE MANUFACTURERS GUIDELINES. ONLY USE THE UNIT IN A MANNER AS INTENDED BY MANUFACTURER.

Welcome to the family!

THANK YOU FOR PURCHASING OUR UNDERBED BRICK ORGANIZER
AND TRUSTING MIL LIARD WITH PROVIDING
YOURSELF AND YOUR LOVED ONES WITH THE UTMOST
COMFORT AND SUPPORT IN YOUR HOME.
AS A FAMILY BRAND THAT STARTED BACK IN 2009 WE'VE
DEDICATED OURSELVES TO CAREFULLY CRAFTING LINES
OF PRODUCTS TO ELEVATE YOUR HOME.
QUALITY AND FAIR PRICING IS OUR PROMISE TO YOU.
IF IT'S NOT GOOD ENOUGH FOR OUR HOME,
IT'S NOT GOOD ENOUGH FOR YOURS.

⚠ WARNING:

THIS PRODUCT IS TO BE ASSEMBLED BY AN ADULT. IN ITS UNASSEMBLED STATE THIS PRODUCT CONTAINS POTENTIALLY HAZARDOUS SHARP POINTS, SHARP EDGES, AND SMALL PARTS. KEEP OUT OF REACH OF CHILDREN.

DID YOUR UNIT COME WITH ANY DAMAGED OR MISSING PARTS?

We're here to help.

OUR TEAM OF DEDICATED CUSTOMER CARE PROFESSIONALS ARE READY TO HELP YOU WITH ANY QUESTIONS OR CONCERNS YOU MAY HAVE.

FOR IMMEDIATE ATTENTION, CALL MONDAY-THURSDAY 9:00AM-5:00PM & FRIDAY 9:00AM-1:00PM.

OR YOU CAN LEAVE US A VOICE MESSAGE OR EMAIL, AND WE GUARANTEE YOU WILL HEAR BACK FROM US WITHIN ONE BUSINESS DAY.

PHONE: 866-686-4891

EMAIL: INFO@MILLIARDBRANDS.COM

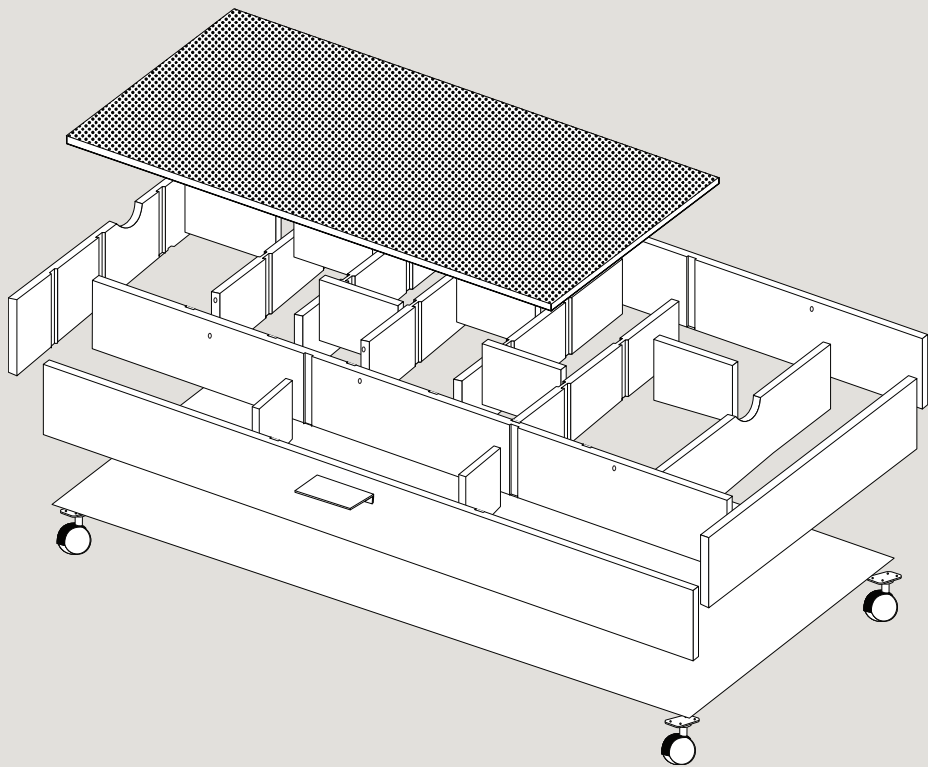


MAINTENANCE:

TO KEEP THE UNIT CLEAN, PERIODICALLY DUST AND WIPE IT WITH A DAMP CLOTH. FOR MORE EXTENSIVE CLEANING, USE A MILD CLEANSER AND A SOFT CLOTH.

DISCLAIMER: MILLIARD™ ASSUMES NO LIABILITY OR RESPONSIBILITY FOR ACCIDENTS OR INJURIES TO PERSONS OR PROPERTIES ASSOCIATED WITH THE IMPROPER USE OF THIS PRODUCT, NOR DOES MILLIARD CONDONE PROHIBITED OR UNLAWFUL USES. THIS PRODUCT MUST BE USED AS DIRECTED AND ALL SAFETY PRECAUTIONS MUST BE FOLLOWED AT ALL TIMES IN ACCORDANCE TO FEDERAL AND LOCAL LAWS OR REGULATIONS. BUYER ASSUMES ALL RISKS AND LIABILITY FROM MISUSE OF THIS PRODUCT AND MILLIARD SHALL NOT BE HELD LIABLE BEYOND THE INITIAL PURCHASE COST OF THE PRODUCT FOR ANY DAMAGES ARISING FROM ITS MISUSE.

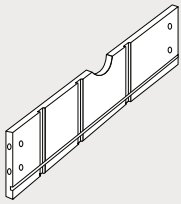
Exploded View



Parts

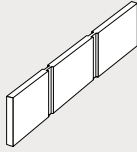
1 x1

LEFT OUTER PANEL



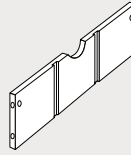
2 x2

REMOVABLE DIVIDER



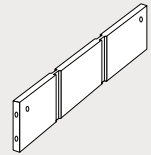
3 x1

RIGHT DIVIDER



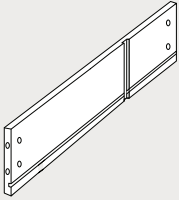
4 x2

CENTER DIVIDER



5 x1

RIGHT OUTER PANEL



6 x10

SMALL DIVIDER



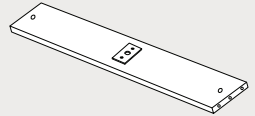
7 x2

SMALL FRONT DIVIDER



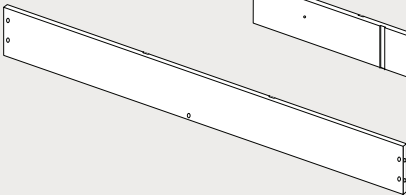
8 x1

BOTTOM SUPPORT DIVIDER



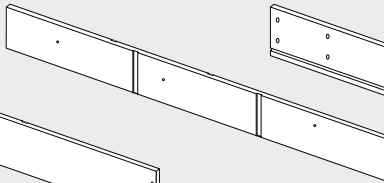
9 x1

FRONT PANEL



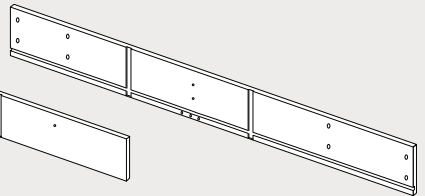
10 x1

DIVIDER PANEL



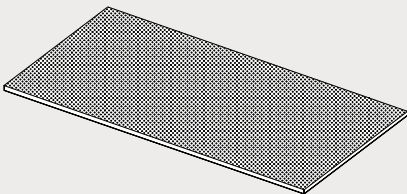
11 x1

BACK PANEL



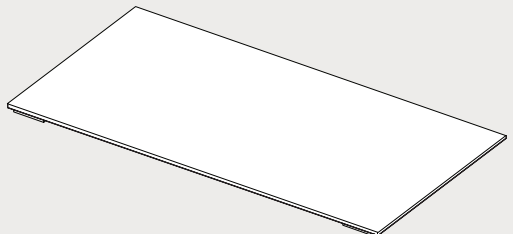
12 x1

BRICK PANEL

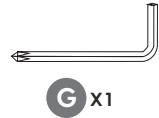
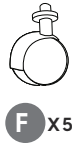
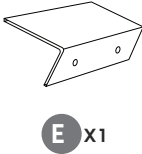
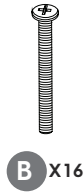


13 x1

BOTTOM PANEL

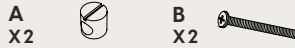


Hardware

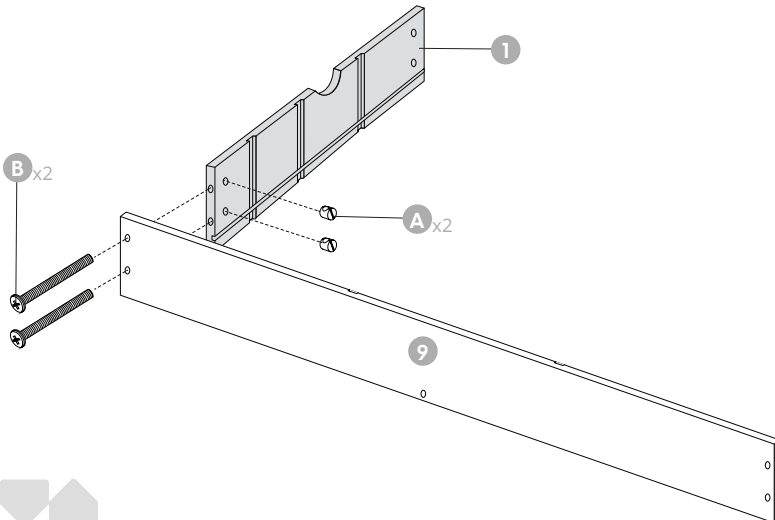


Assembly Instructions

STEP 1



- INSERT NUTS (A) INTO THE LEFT OUTER PANEL (1).
- ATTACH THE LEFT OUTER PANEL (1) TO THE FRONT PANEL (9) USING BOLTS (B).



STEP 2

A
X3



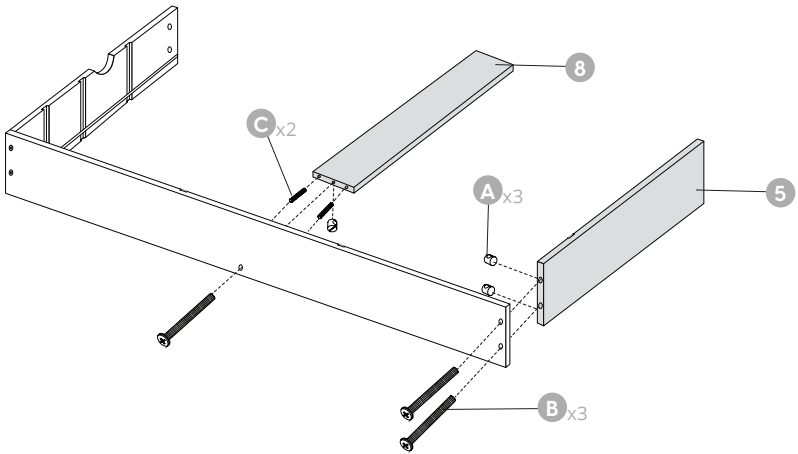
B
X3



C
X2



- INSERT NUTS (A) INTO THE RIGHT OUTER PANEL (5).
- INSERT A NUT (A) AND DOWEL PINS (C) INTO THE BOTTOM SUPPORT (8).
- ATTACH THE RIGHT OUTER PANEL (5) AND BOTTOM SUPPORT (8) TO THE FRONT PANEL (9) USING A BOLTS (B).



STEP 3

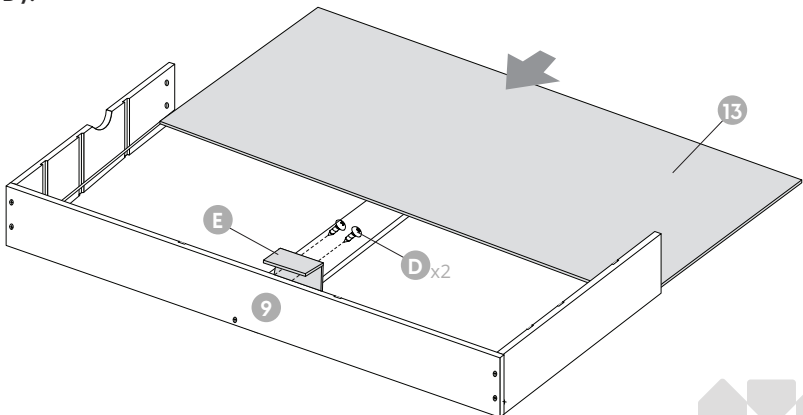
D
X2



E
X1



- SLIDE IN THE BOTTOM PANEL (13).
- ATTACH THE HANDLE (E) TO THE FRONT PANEL (9) USING SCREWS (D).



STEP 4

A
X3



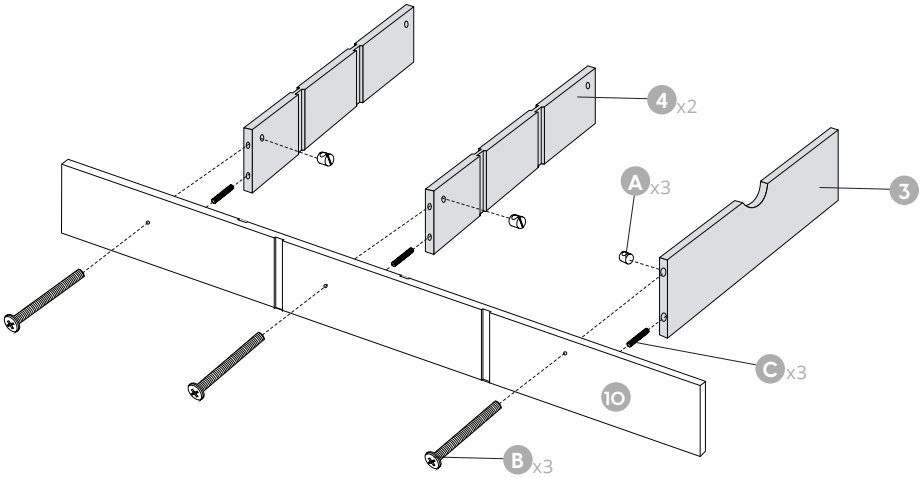
B
X3



C
X3

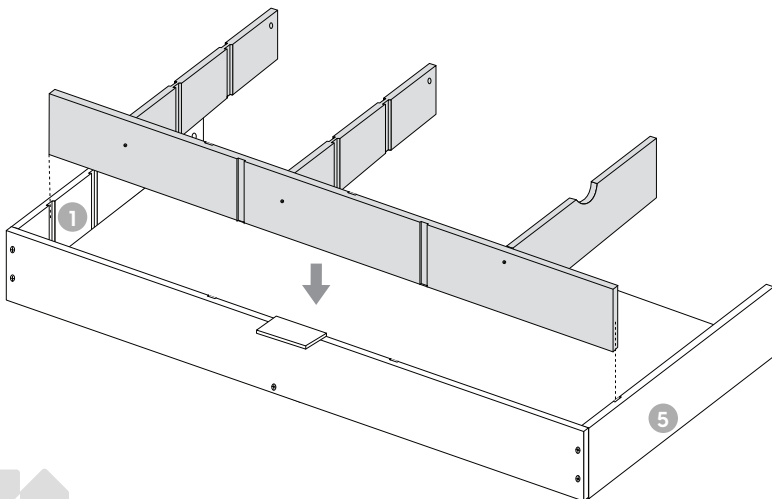


- INSERT NUTS (A) AND DOWEL PINS (C) INTO THE CENTER DIVIDERS (4) AND RIGHT DIVIDER (3).
- ATTACH THE CENTER DIVIDERS (4) AND RIGHT DIVIDER TO THE DIVIDER PANEL (10) USING A BOLT (B).



STEP 5

- LIFT THE ASSEMBLY FROM STEP 4 AND SLIDE IT BETWEEN THE OUTER PANELS (1)(5)



STEP 6

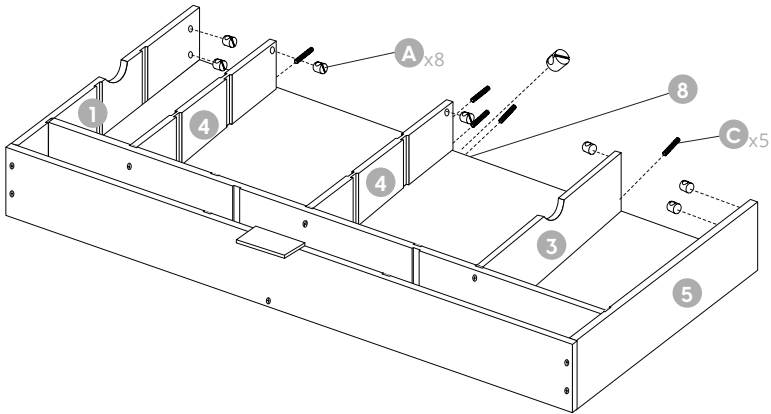
A
X8



C
X5



- INSERT NUTS (A) INTO THE LEFT AND RIGHT OUTER PANELS (5), CENTER DIVIDERS (4), RIGHT DIVIDER (3) AND BOTTOM SUPPORT (8).
- INSERT DOWEL PINS INTO THE BOTTOM SUPPORT (8), RIGHT DIVIDER (3) AND CENTER DIVIDERS (4).

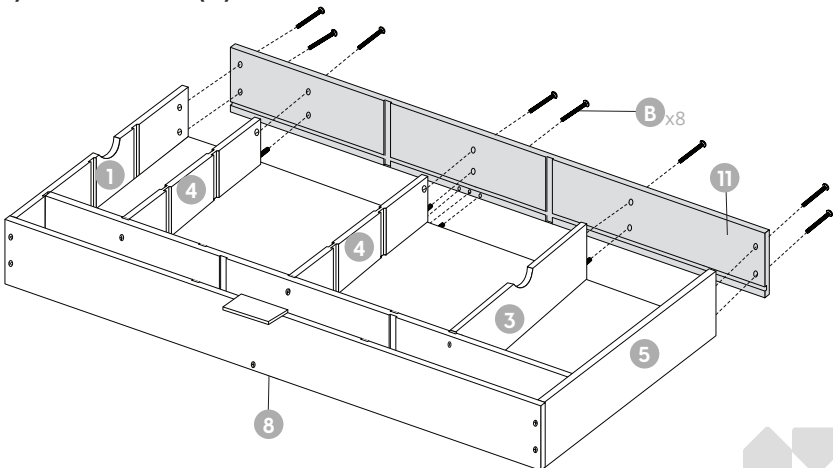


STEP 7

B
X8



- ATTACH THE BACK PANEL (11) TO THE LEFT AND RIGHT OUTER PANELS (1)(5), CENTER DIVIDERS (4), RIGHT DIVIDER (3) AND BOTTOM SUPPORT (8) USING BOLTS (B).

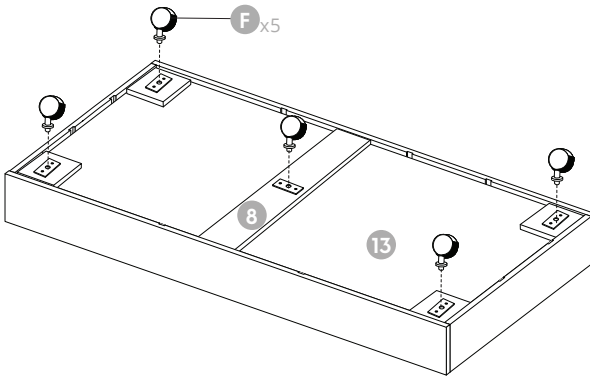


STEP 8

F
X5

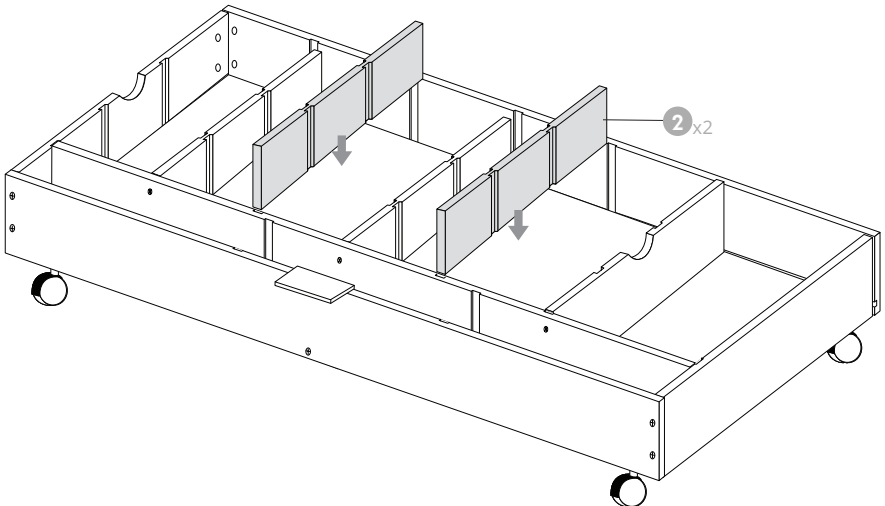


FLIP THE UNIT UPSIDE DOWN AND ATTACH THE WHEELS (F) TO THE BOTTOM PANEL (13) AND BOTTOM SUPPORT (8).



STEP 9

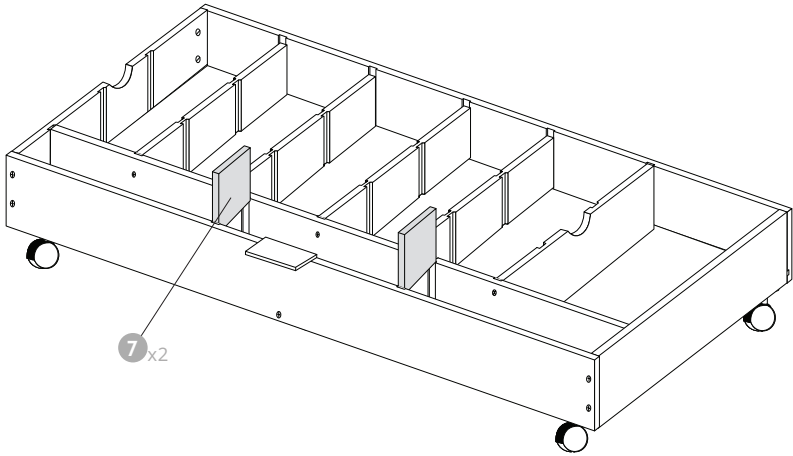
SLIDE IN THE REMOVABLE DIVIDERS (2).



DIVIDERS CAN BE REMOVED AS NEEDED

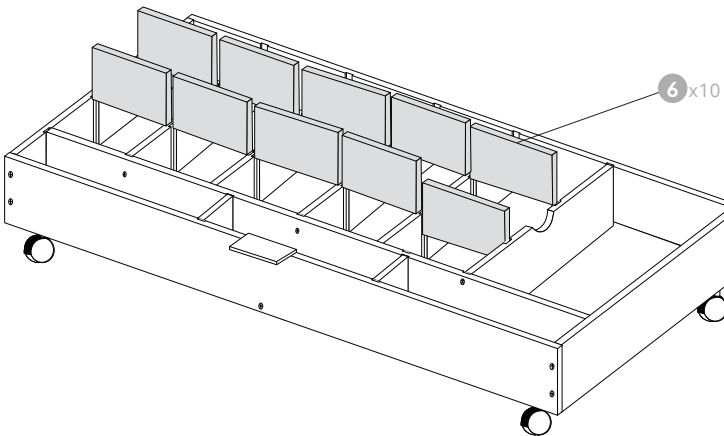
STEP 10

SLIDE IN THE SMALL FRONT DIVIDERS (7).



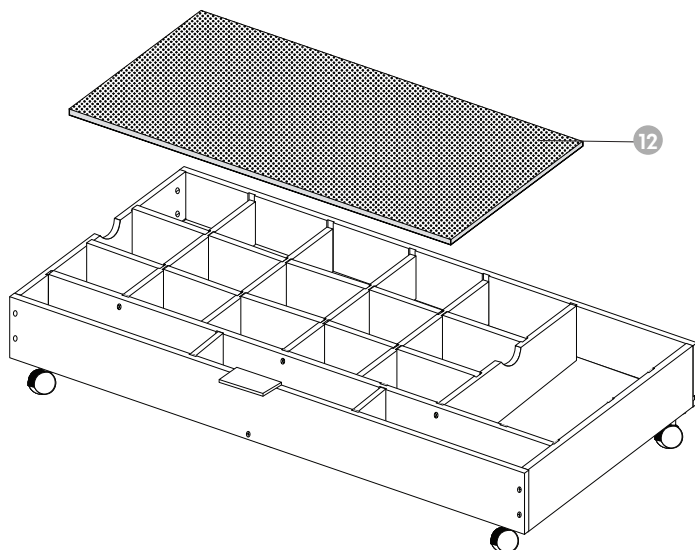
STEP 11

SLIDE IN THE SMALL DIVIDERS (6).

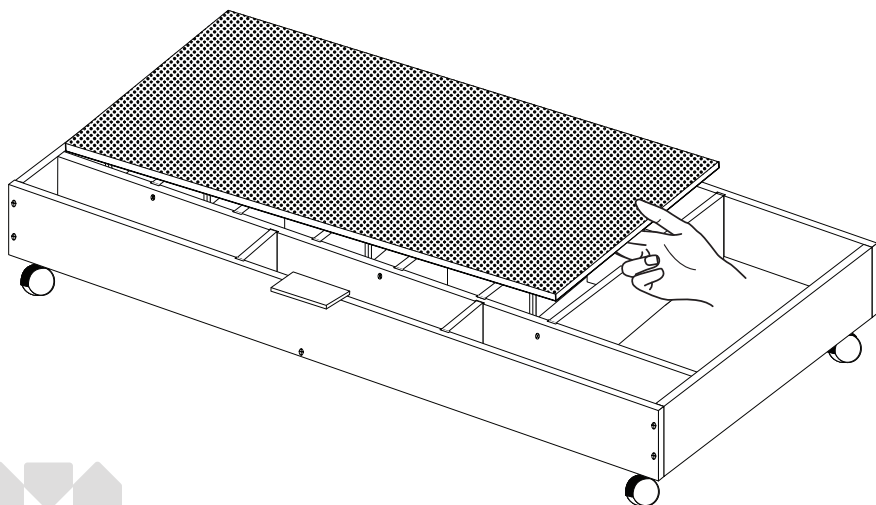


STEP 12

FINALLY, PLACE THE BRICK PANEL (12) ON TOP OF THE UNIT.



TO FLIP THE BOARD TO THE OTHER SIDE, SLIP YOUR FINGERS INTO THE CUTOUT ON EITHER END OF THE BOARD, LIFT AND FLIP.



Thank you again!

YOU'VE OFFICIALLY COMPLETED ASSEMBLY.

THANK YOU AGAIN FOR YOUR PURCHASE.

WE HOPE YOU'RE LOVING IT!



PHONE: 866-686-4891 EMAIL: INFO@MILLIARDBRANDS.COM