



# Dining Table

---

Congratulations on the purchase of your Dining Table!



**PRECAUTION:**

Always read and follow instructions before use | Always use the unit according to the manufacturers guidelines | Only use the unit in a manner as intended by manufacturer.



**WARNING:** THIS PRODUCT IS TO BE ASSEMBLED BY AN ADULT. IN ITS UNASSEMBLED STATE THIS PRODUCT CONTAINS POTENTIALLY HAZARDOUS SHARP POINTS, SHARP EDGES, AND SMALL PARTS. KEEP OUT OF REACH OF CHILDREN.



Follow along with a  
**STEP BY STEP  
ASSEMBLY VIDEO**



See the video on our Amazon page  
<https://www.amazon.com/dp/B088MHS4X4>  
or email us for a copy of the video  
at [info@milliardbrands.com](mailto:info@milliardbrands.com)

Did your table come with any damaged or missing parts?

## WE'RE HERE TO HELP

Our team of dedicated customer care professionals are ready to help you with any questions or concerns you may have.

For immediate attention, call Monday-Thursday 9:00am-5:00pm & Friday 9:00am-1:00pm.

Or you can leave us a voice message or email, and we guarantee you will hear back from us within one business day.

Phone: 866-686-4891  
Email: [info@milliardbrands.com](mailto:info@milliardbrands.com)

### MAINTENANCE:

To keep your table, periodically dust and wipe it with a damp cloth. For more extensive cleaning, use a mild wood cleanser and a soft cloth.

DISCLAIMER: MILLIARD™ ASSUMES NO LIABILITY OR RESPONSIBILITY FOR ACCIDENTS OR INJURIES TO PERSONS OR PROPERTIES ASSOCIATED WITH THE IMPROPER USE OF THIS PRODUCT, NOR DOES MILLIARD CONDONE PROHIBITED OR UNLAWFUL USES. THIS PRODUCT MUST BE USED AS DIRECTED AND ALL SAFETY PRECAUTIONS MUST BE FOLLOWED AT ALL TIMES IN ACCORDANCE TO FEDERAL AND LOCAL LAWS OR REGULATIONS. BUYER ASSUMES ALL RISKS AND LIABILITY FROM MISUSE OF THIS PRODUCT AND MILLIARD SHALL NOT BE HELD LIABLE BEYOND THE INITIAL PURCHASE COST OF THE PRODUCT FOR ANY DAMAGES ARISING FROM ITS MISUSE.

# TABLE PARTS

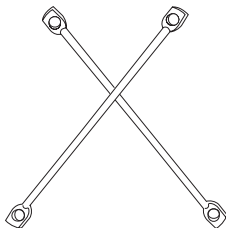
A



Table Leg x4

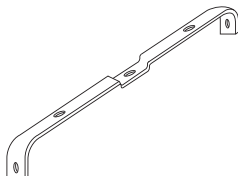
B

Leg Bar x4



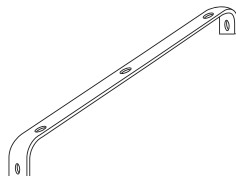
C

Indented Support Bracket x1



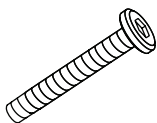
D

Support Bracket x1



E

Screw x8



F

Hex Nut x8



G

Nut Cap x8



H

Washer x5



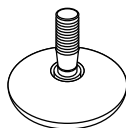
I

Short Screw x5



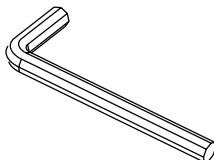
J

Footpad x4



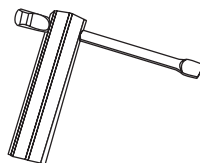
K

Hex Wrench



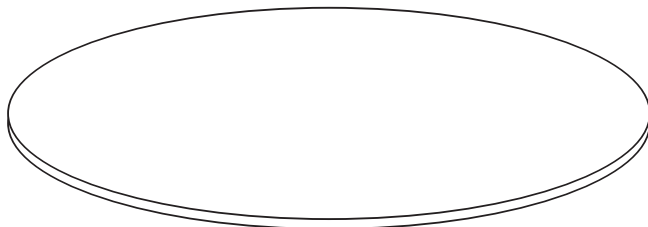
L

T-Handle Hex Socket Wrench



M

Table Top



# ASSEMBLY INSTRUCTIONS

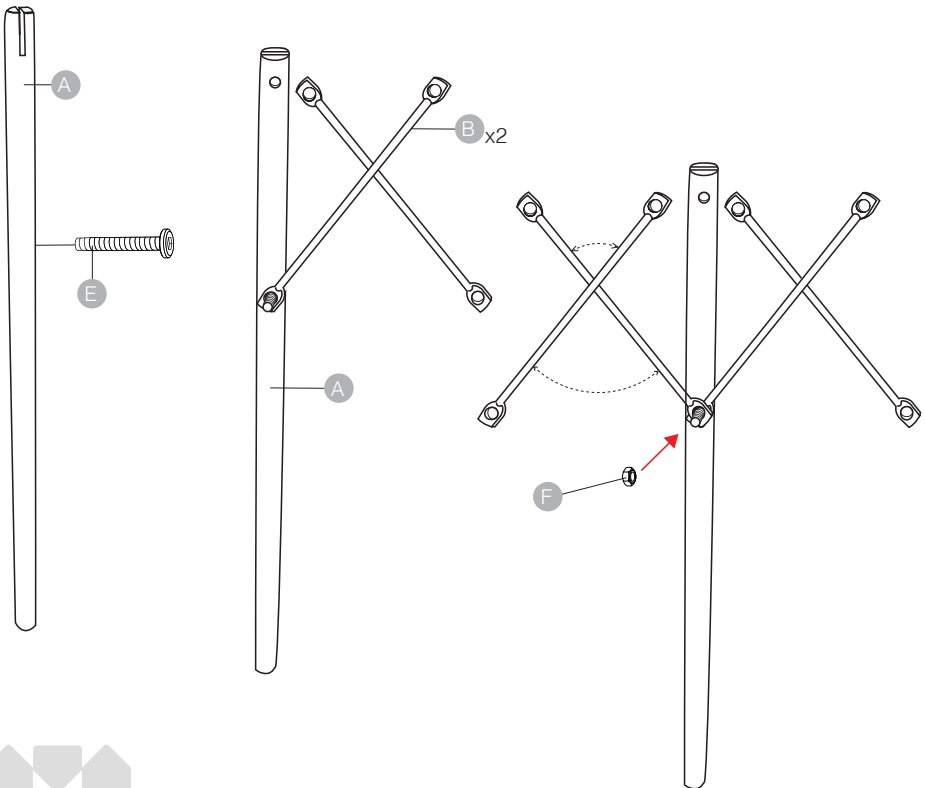
## STEP 1

- Place screw **E** through the bottom hole of one table leg **A**.
- Insert two leg bars **B** over the screw's end **E** ensuring the two long ends of the leg bar are pointing down.
- Note that the 'X' on each leg bar is not even, the smaller 'triangle' formed by the 'X' should be on top as shown.

### THE ORDER IS IMPORTANT HERE.

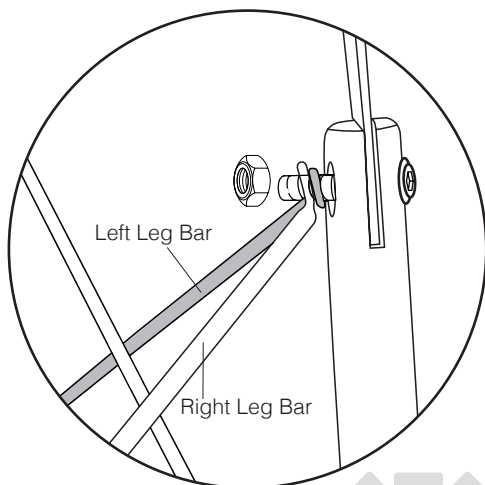
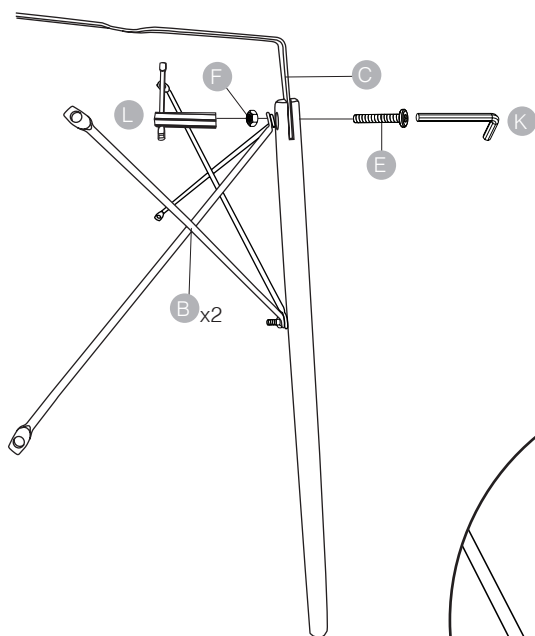
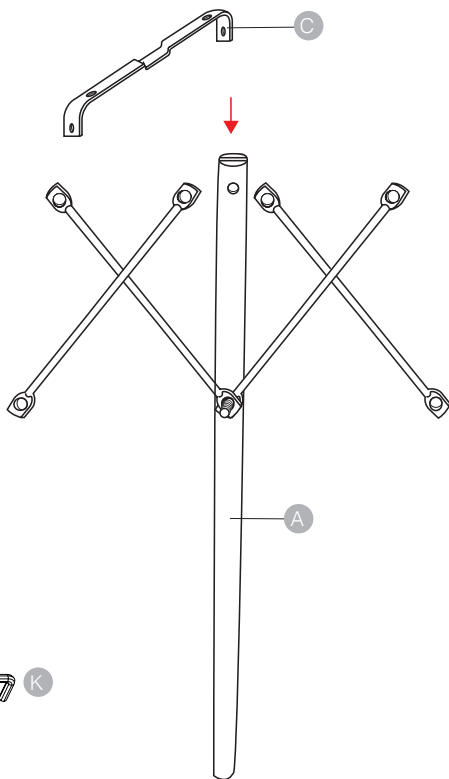
*When looking from the back of the leg, meaning, from inside the table, make sure to attach the left leg bar first, against the leg. Then attach the right leg bar on top. This order, of left leg bar first, must be maintained throughout the build for both upper and lower screws.*

- Tighten loosely with hex nut **F** using the included tools as needed **K** **L**, do not overtighten.



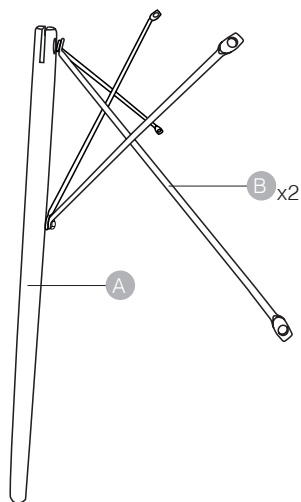
## STEP 2

- Insert indented support bracket **C** into the slit at the top of the table leg **A**.
- Insert screw **E** through the table leg. Next you need to attach the tops of the 2 leg bars **B**.



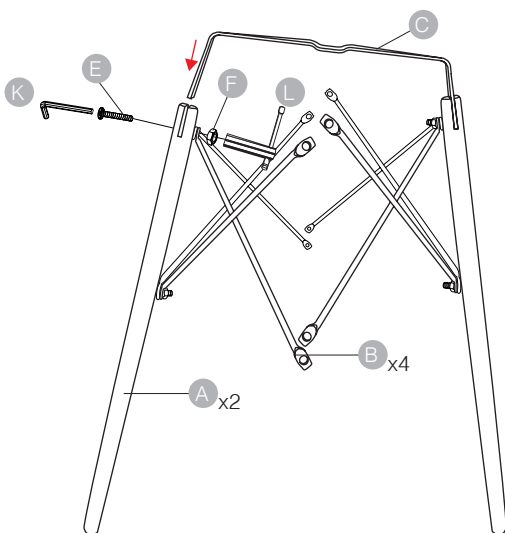
## STEP 3

Repeat *step 1* using a second table leg **A**.



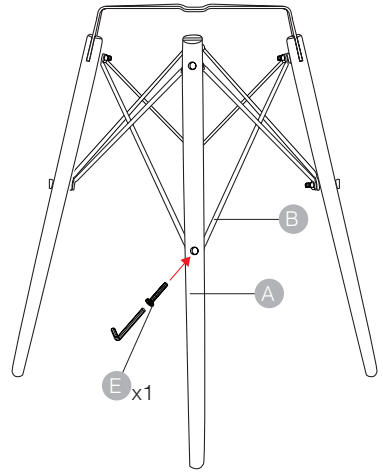
## STEP 4

- Combine the assembly completed in *step 2* with the assembly completed in *step 3*, by inserting the indented support bracket **C** into the slit in the table leg **A**.
- Insert screw **E** through the top hole of the table leg **A**, indented support bracket **C** and two leg bars **B**. Then, tighten loosely with a hex nut **F** using the included tools **K** **L**, do not overtighten.



## STEP 5

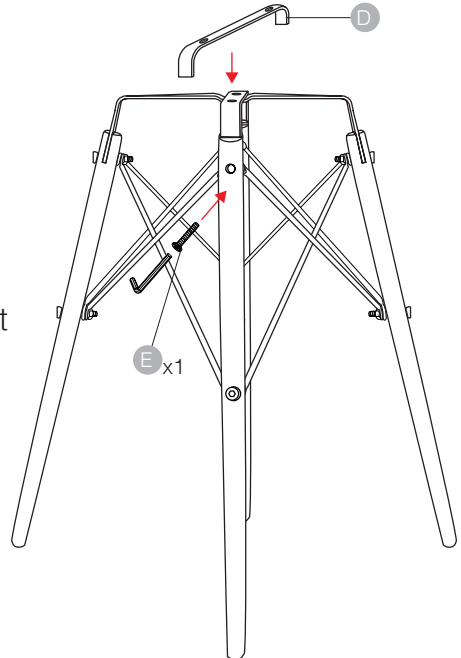
- Attach a table leg **A** to the two long ends of the leg bars **B** that are free hanging by placing a screw **E** through the bottom hole of the table leg. Then, tighten loosely with a hex nut **F** using the included tools **K** **L**, do not overtighten.
- Repeat on the other side with the last table leg **A**.



*Make sure that the left leg bar is attached to the leg before the right leg bar.*

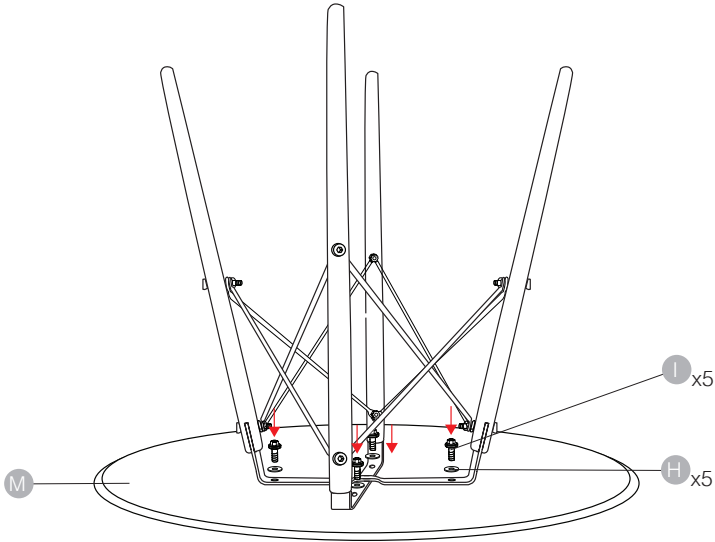
## STEP 6

- Insert remaining support bracket **D** into the slits of the two table legs **A**.
- Insert screw **E** through the top hole of the table leg **A**, support bracket **D**, and two leg bars **B**. Then, tighten loosely with a hex nut **F** using the included tools **K** **L**, do not overtighten.
- Repeat on the opposite side.



## STEP 7

- Turn table top **M** and completed leg assembly upside down.
- To secure the leg assembly to the table top, insert short screws **I** and washers **H** through the support brackets and into the table top. Tighten with Hex Wrench **K**.
- Tighten all loosely secured screws.
- Use nut caps **G** to conceal the exposed screws on the Table Legs.



## STEP 8

- Screw four Footpads **J** onto the bottom of the Table Legs.
- Turn the table upright. Adjust the footpads as needed if the table is shaky or if the floor is not level.



*Congratulations on assembling your table!*