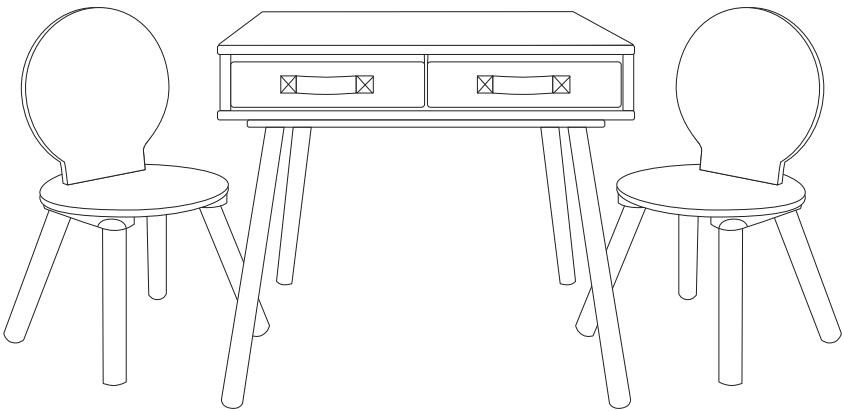


milliard™

Table & Chairs For Kids



*Congratulations on the purchase of your new Milliard Play Table!
Now your kids have their own furniture to work and play on, as well as spill, paint
and, of course, eat. It's sized just for them, with storage drawers to hold all their
treasures! Enjoy Milliard products and be sure to check out our other great items!*

PRECAUTION:

Always read and follow instructions before use | Always use the unit according to the
manufacturers guidelines | Only use the unit in a manner as intended by manufacturer.

⚠ WARNING: REVIEW ALL WARNINGS AND INSTRUCTIONS TO REDUCE THE RISK OF SERIOUS INJURY OR DEATH.

THE TABLE AND CHAIRS MUST BE ASSEMBLED BY AN ADULT. CAREFULLY INSPECT THE TABLE AND CHAIRS AFTER ASSEMBLY TO ENSURE THAT THEY ARE STABLE AND THAT THERE ARE NO EXPOSED SCREWS OR OTHER SHARP PARTS.

TO AVOID FALLS OR STRANGULATION, DO NOT PLACE THE TABLE NEAR A WINDOW OR A CORDED WINDOW TREATMENT. DO NOT ALLOW CHILDREN TO CLIMB ON THE TABLE. THE TABLE MAY TIP OVER OR BREAK, WHICH COULD LEAD TO SERIOUS INJURY OR DEATH.

DO NOT ALLOW CHILDREN TO REMOVE THE TABLE TOP WITHOUT ADULT ASSISTANCE.

TO AVOID CHOKING HAZARDS, DO NOT ALLOW CHILDREN UNDER THE AGE OF THREE TO PLAY WITH TOYS THAT CONTAIN SMALL PARTS.

Did your unit come with any damaged or missing parts?

WE'RE HERE TO HELP

Our team of dedicated customer care professionals are ready to help you with any questions or concerns you may have.

For immediate attention, call Monday-Thursday 9:00am-5:00pm & Friday 9:00am-1:00pm.

Or you can leave us a voice message or email, and we guarantee you will hear back from us within one business day.

Phone: 866-686-4891
Email: info@milliardbrands.com

MAINTENANCE:

To upkeep the unit, periodically dust and wipe it with a damp cloth. For more extensive cleaning, use a mild wood cleanser and a soft cloth.

DISCLAIMER: MILLIARD™ ASSUMES NO LIABILITY OR RESPONSIBILITY FOR ACCIDENTS OR INJURIES TO PERSONS OR PROPERTIES ASSOCIATED WITH THE IMPROPER USE OF THIS PRODUCT, NOR DOES MILLIARD CONDONE PROHIBITED OR UNLAWFUL USES. THIS PRODUCT MUST BE USED AS DIRECTED AND ALL SAFETY PRECAUTIONS MUST BE FOLLOWED AT ALL TIMES IN ACCORDANCE TO FEDERAL AND LOCAL LAWS OR REGULATIONS. BUYER ASSUMES ALL RISKS AND LIABILITY FROM MISUSE OF THIS PRODUCT AND MILLIARD SHALL NOT BE HELD LIABLE BEYOND THE INITIAL PURCHASE COST OF THE PRODUCT FOR ANY DAMAGES ARISING FROM ITS MISUSE.

TABLE PARTS

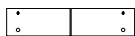
1

Tabletop



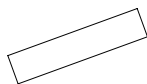
2

Table Sides x2



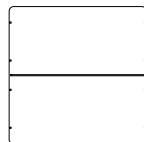
3

Table Divider



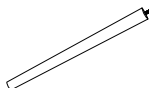
4

Table Bottom



5

Table Legs x4



6

Basket x4



7

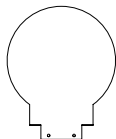
Basket Insert x4



CHAIR PARTS

8

Chair Back x2



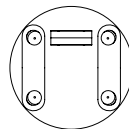
9

Chair Legs x8



10

Chair Seat x2



HARDWARE PARTS

A

Dowel Nut x4



B

Bolt x4



C

Dowel Peg x8



D

Cam Fastener x4



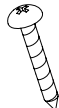
E

Cam Screw x4



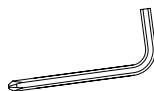
F

Screw x4



G

Hex/Philip Key

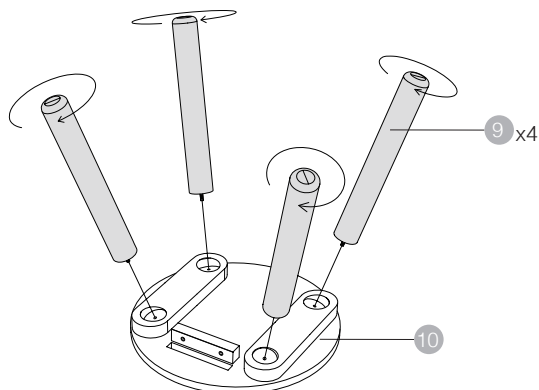


ASSEMBLY INSTRUCTIONS

Start by assembling the chairs.

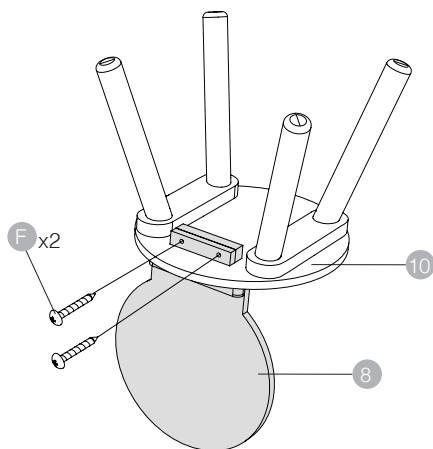
STEP 1

Twist each of the 4 chair legs 9 onto the chair seat 10.



STEP 2

Attach the chair back 8 to the chair seat 10 using F screws.

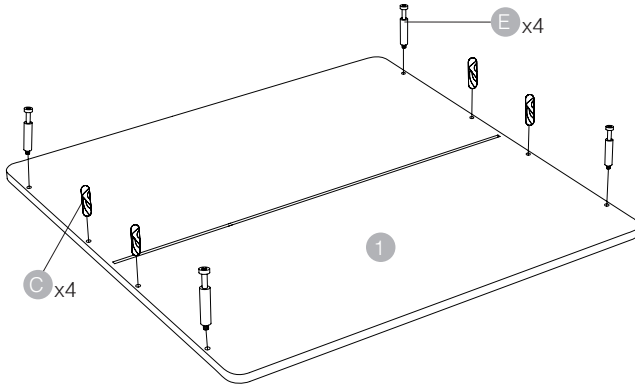


Repeat for
the second
chair.

Now let's assemble the table.

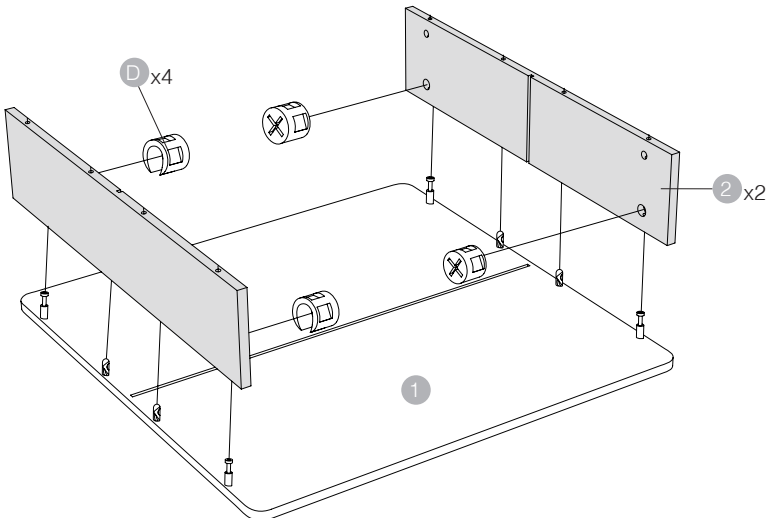
STEP 3

Insert cam screws **E** and dowels pegs **C** into the tabletop **1**.



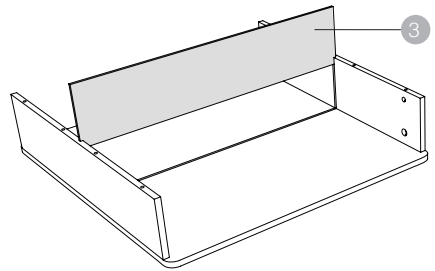
STEP 4

- Insert cam fasteners **D** into the table sides **2**, the arrows on the cam fasteners should point downwards.
- Attach the table sides **2** to the tabletop **1** by turning the cam fasteners **D** 90 degrees clockwise.



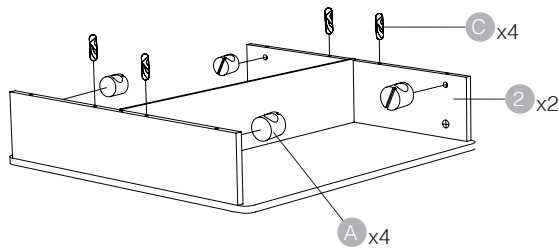
STEP 5

Slide in the table divider **3**.



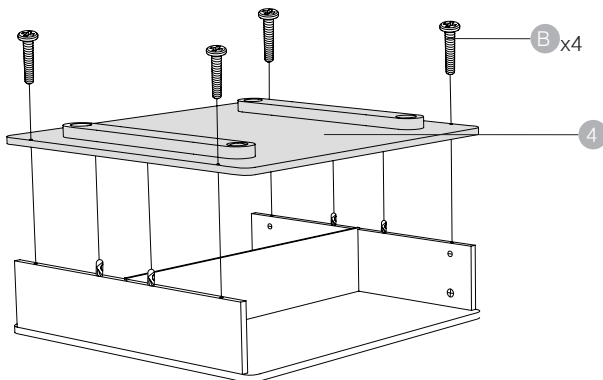
STEP 6

Insert dowel nuts **A** and dowel pegs **C** into the table sides **2**.



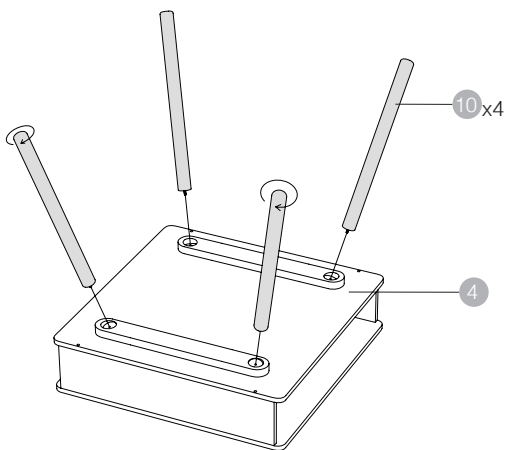
STEP 7

Attach the table bottom **4** to the table sides by inserting bolts **B**.



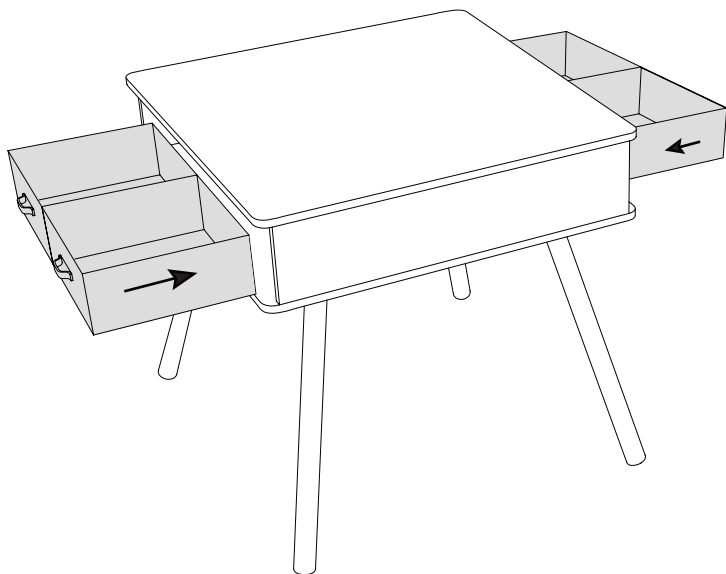
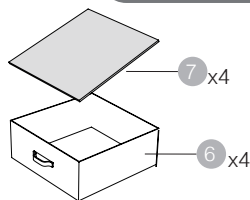
STEP 8

Twist each table leg 10 onto the table bottom 4.



STEP 9

- Insert the basket 7 inserts into the baskets 6.
- Turn the table right side up and insert the baskets on each side



Job well done! Pat yourself on the back!