

milliard™

Table & Chairs For Kids



*Congratulations on the purchase of your new Milliard 3-1 Play Table!
Now your kids have their own furniture to work and play on, as well as spill, paint
and, of course, eat. Win-win for everyone! Enjoy Milliard products and be sure to
check out our other great items!*

PRECAUTION:

Always read and follow instructions before use | Always use the unit according to the
manufacturers guidelines | Only use the unit in a manner as intended by manufacturer.

⚠️ WARNING: THIS PRODUCT IS TO BE ASSEMBLED BY AN ADULT. IN ITS UNASSEMBLED STATE THIS PRODUCT CONTAINS POTENTIALLY HAZARDOUS SHARP POINTS, SHARP EDGES, AND SMALL PARTS. KEEP OUT OF REACH OF CHILDREN.

CAREFULLY INSPECT THE TABLE AND CHAIRS AFTER ASSEMBLY TO ENSURE THAT THEY ARE STABLE AND THAT THERE ARE NO EXPOSED SCREWS OR OTHER SHARP PARTS

TO AVOID FALLS OR STRANGULATION, DO NOT PLACE THE TABLE NEAR A WINDOW OR A CORDED WINDOW TREATMENT.

DO NOT ALLOW CHILDREN TO CLIMB ON THE TABLE. THE TABLE MAY TIP OVER OR BREAK, WHICH COULD LEAD TO SERIOUS INJURY OR DEATH.

DO NOT ALLOW CHILDREN TO REMOVE THE TABLE TOP WITHOUT ADULT ASSISTANCE.

TO AVOID CHOKING HAZARDS, DO NOT ALLOW CHILDREN UNDER THE AGE OF THREE TO PLAY WITH TOYS THAT CONTAIN SMALL PARTS.

Did your Table and Chairs come with any damaged or missing parts?

WE'RE HERE TO HELP

Our team of dedicated customer care professionals are ready to help you with any questions or concerns you may have.

For immediate attention, call Monday-Thursday 9:00am-5:00pm & Friday 9:00am-1:00pm.

Or you can leave us a voice message or email, and we guarantee you will hear back from us within one business day.

Phone: 866-686-4891
Email: info@milliardbrands.com

MAINTENANCE:

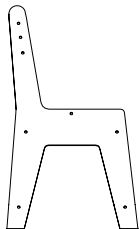
To upkeep the unit, periodically dust and wipe it with a damp cloth. For more extensive cleaning, use a mild wood cleanser and a soft cloth.

DISCLAIMER: MILLIARD™ ASSUMES NO LIABILITY OR RESPONSIBILITY FOR ACCIDENTS OR INJURIES TO PERSONS OR PROPERTIES ASSOCIATED WITH THE IMPROPER USE OF THIS PRODUCT. NOR DOES MILLIARD CONDONE PROHIBITED OR UNLAWFUL USES. THIS PRODUCT MUST BE USED AS DIRECTED AND ALL SAFETY PRECAUTIONS MUST BE FOLLOWED AT ALL TIMES IN ACCORDANCE TO FEDERAL AND LOCAL LAWS OR REGULATIONS. BUYER ASSUMES ALL RISKS AND LIABILITY FROM MISUSE OF THIS PRODUCT AND MILLIARD SHALL NOT BE HELD LIABLE BEYOND THE INITIAL PURCHASE COST OF THE PRODUCT FOR ANY DAMAGES ARISING FROM ITS MISUSE.

CHAIR PARTS

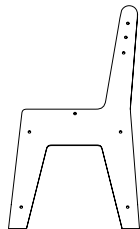
1

Right Chair Side x2



2

Left Chair Side x2



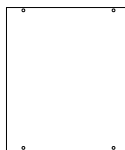
3

Chair Back x2



4

Chair Seat x2



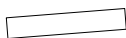
5

Chair Shelf x2



6

Seat Support x4



7

Chair Shelf End x2



8

Small Basket x2



9

Small Basket Insert x2

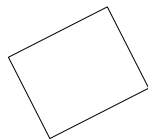
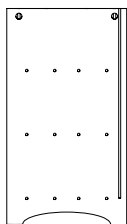


TABLE PARTS

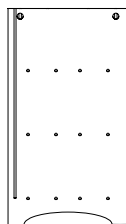
10

Left Table Side



11

Right Chair Side



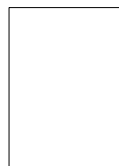
12

Bottom Table Shelf



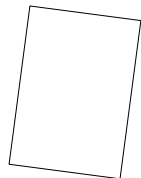
13

Middle Table Shelf x2



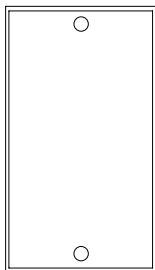
14

Table Back



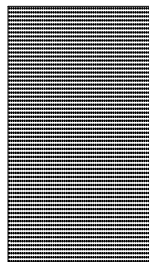
15

Tabletop Base



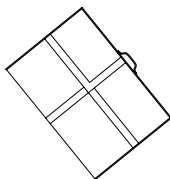
16

Tabletop Insert



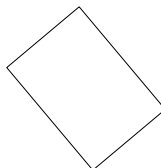
17

Large Basket x3



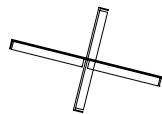
18

Large Basket Insert x3



19

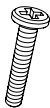
Basket Divider x3



HARDWARE PARTS

A

Bolt x36



B

Dowel Nut x36



C

Dowel Peg x40



D

Large Screw x4



E

Cam Fastener x4



F

Cam Screw x4



G

Angle Fastener x4



H

Small Screw x8



I

Hex/Philip Key

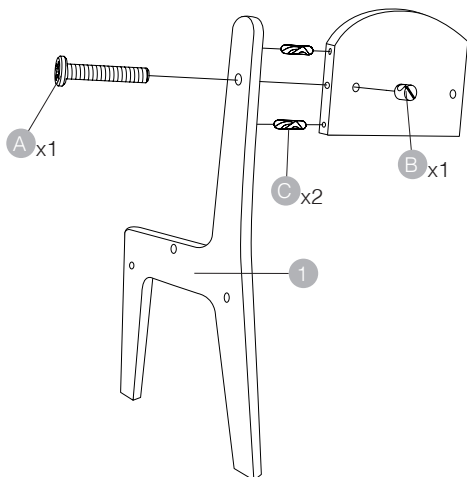


ASSEMBLY INSTRUCTIONS

Star by assembling the chairs.

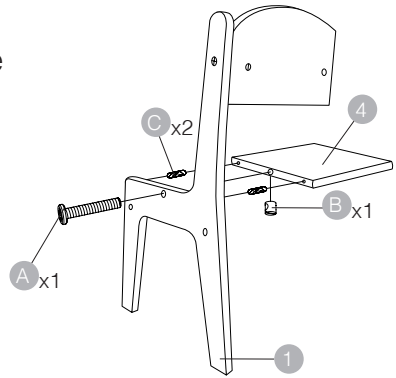
STEP 1

- Insert a dowel nut (B) into the holes on the chair back (3).
- Attach the chair back (3) to the right chair side (1) by inserting dowel pegs (C) and secure it using a bolt (A).



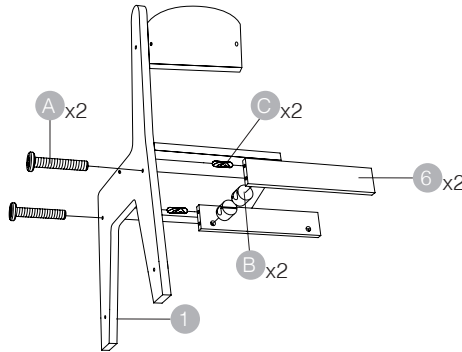
STEP 2

- Insert a dowel nut **B** into the hole on the chair seat **4**.
- Attach the chair seat **4** to the right chair side **1** by inserting dowel pegs **C** and secure it using a bolt **A**.



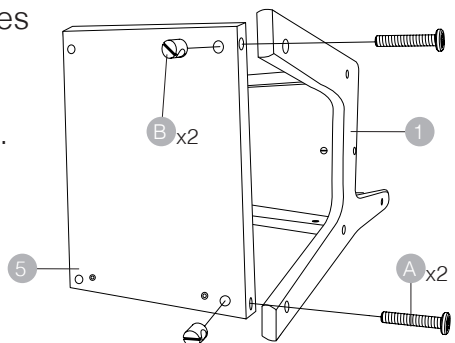
STEP 3

- Insert dowel nuts **B** into the holes on the seat supports **6**.
- Attach seat supports **6** to the right chair side **1** by inserting dowel pegs **C** and secure it using bolts **A**.



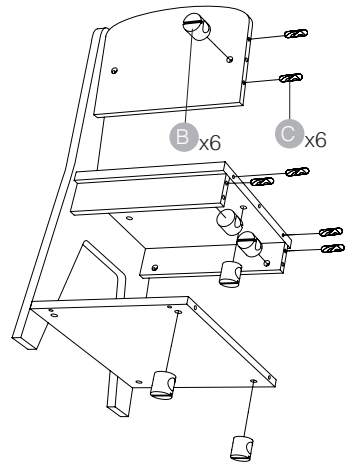
STEP 4

- Insert dowel nuts **B** into the holes on the chair shelf **5**.
- Attach the chair shelf **5** to the right chair side **1** using bolts **A**.



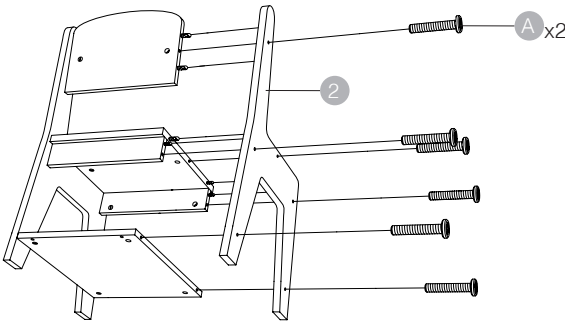
STEP 5

Insert dowels nuts **B** and dowel pegs **C** into the holes of the chair back **3**, chair seat **4**, seat supports **6** and chair self **5**.



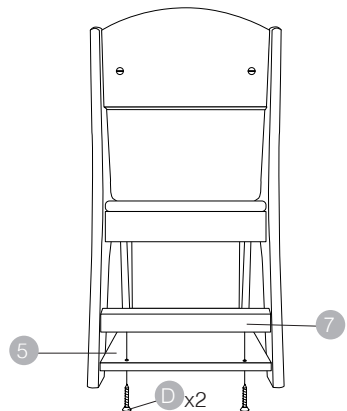
STEP 6

Attach the left chair side **2** using bolts **A**.



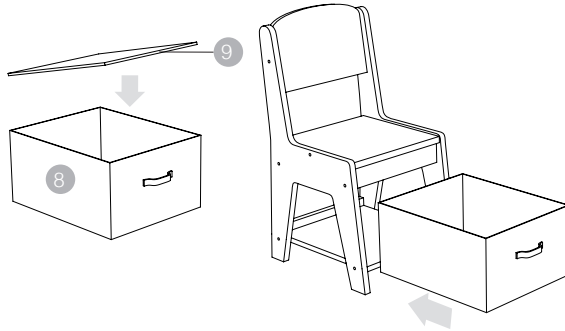
STEP 7

Attach the chair shelf end **7** to the chair shelf **5** using large screws **D**.



STEP 8

Place the small basket insert **9** into the small basket **8**.

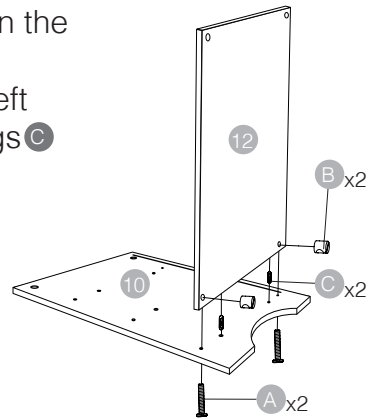


Repeat for the second chair.

Now, let's assemble the table.

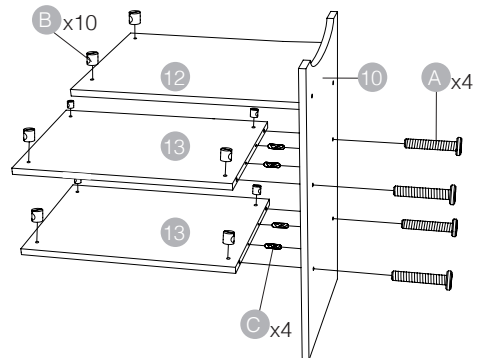
STEP 9

- Insert dowel nuts **B** into the holes on the bottom table shelf **12**.
- Attach bottom table shelf **12** to the left table side **10** by inserting dowel pegs **C** and secure it using bolts **A**.



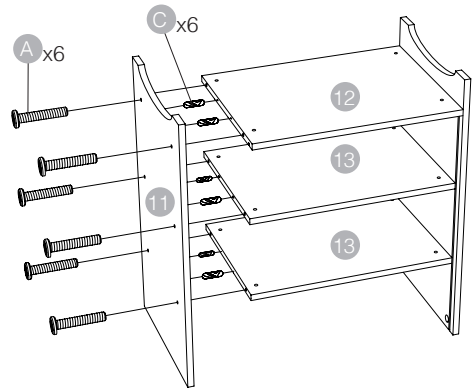
STEP 10

- Insert dowel nuts **B** into the holes on the bottom table shelf **12** and the two middle table shelves **13**.
- Attach the two middle table shelves **13** to the left table side **10** by inserting dowel pegs and secure them using bolts **C**.



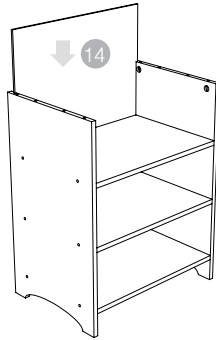
STEP 11

Attach the right table side **11** to the table shelves **12** **13** by inserting dowel pegs **C** and secure them using bolts **A**.



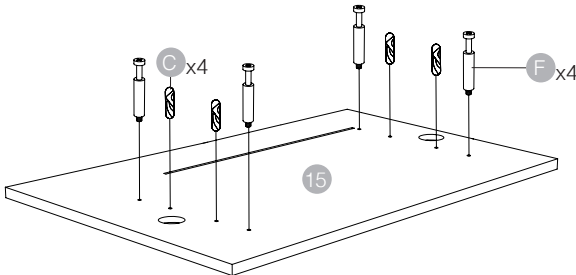
STEP 12

Turn the table upright and slide in the table back **14**.



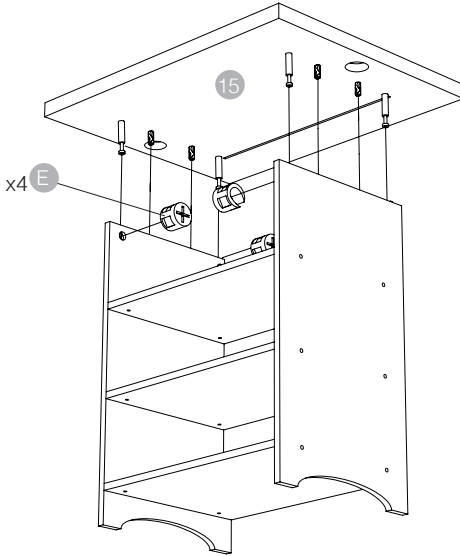
STEP 13

Prep the tabletop base by inserting pegs **C** into the inner holes and cam screws **F** into the outer holes.



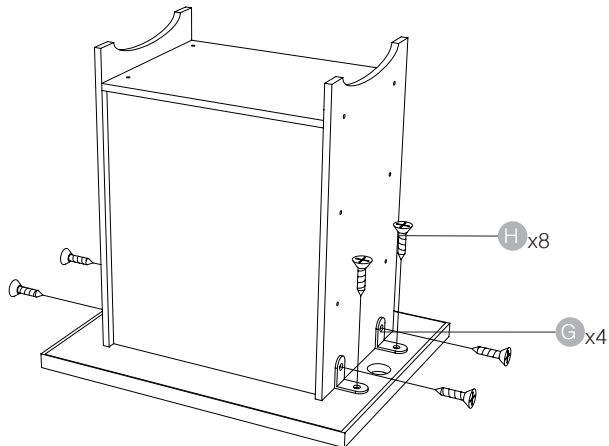
STEP 14

- Insert cam fasteners **E** into the holes at the top of the table sides **10** **11** with the arrows pointing upwards.
- Attach it to the tabletop base **15** by turning the cam fasteners **E** 90 degrees clockwise.



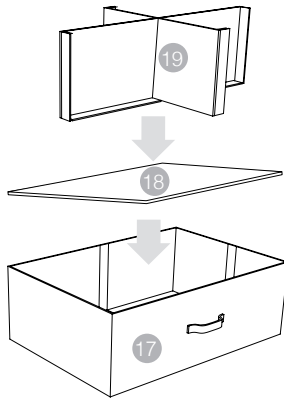
STEP 15

Turn the table upside down and attach the angle fasteners **G** using small screws **H**.



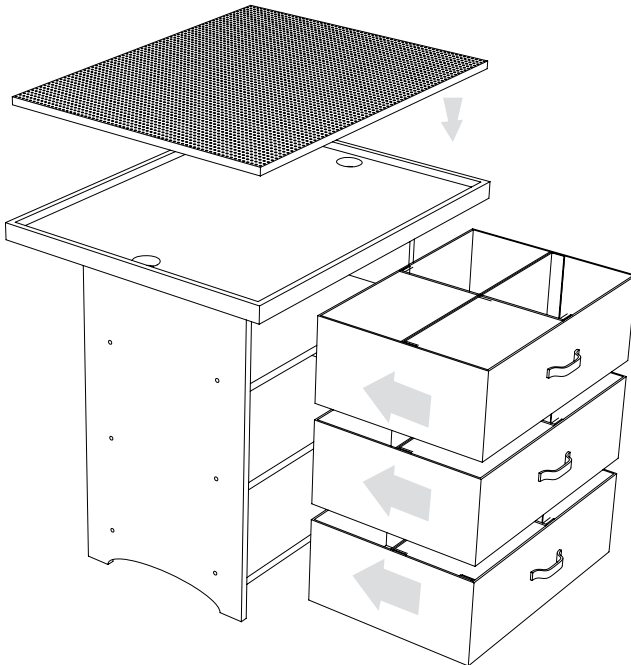
STEP 16

Insert the large basket inserts **18** into the large baskets **17**. Then attach the basket dividers **19**.



STEP 17

Turn the table upright. Place the tabletop insert **16** into the tabletop. Place the baskets on the shelves.



Job well done! Pat yourself on the back!