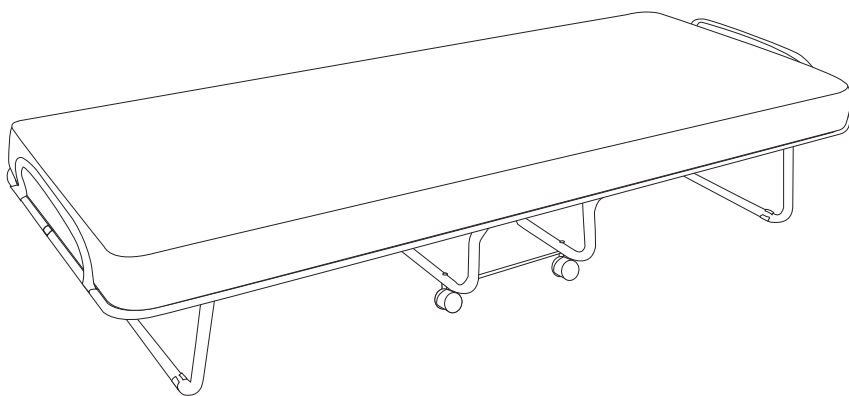




Lightweight Folding Bed

MANUAL



PRECAUTION: ALWAYS READ AND FOLLOW INSTRUCTIONS BEFORE USE. ALWAYS USE THE UNIT ACCORDING TO THE MANUFACTURERS GUIDELINES. ONLY USE THE UNIT IN A MANNER AS INTENDED BY MANUFACTURER.

Welcome to the family!

THANK YOU FOR PURCHASING OUR LIGHTWEIGHT FOLDING BED
AND TRUSTING MILLIARD WITH PROVIDING
YOURSELF AND YOUR LOVED ONES WITH THE UTMOST
COMFORT AND SUPPORT IN YOUR HOME.
AS A FAMILY BRAND THAT STARTED BACK IN 2009 WE'VE
DEDICATED OURSELVES TO CAREFULLY CRAFTING LINES
OF PRODUCTS TO ELEVATE YOUR HOME. QUALITY
AND FAIR PRICING IS OUR PROMISE TO YOU.
IF IT'S NOT GOOD ENOUGH FOR OUR HOME,
IT'S NOT GOOD ENOUGH FOR YOURS.

⚠️WARNING: THIS PRODUCT IS TO BE ASSEMBLED BY AN ADULT. IN ITS UNASSEMBLED STATE THIS PRODUCT CONTAINS POTENTIALLY HAZARDOUS SHARP POINTS, SHARP EDGES, AND SMALL PARTS. KEEP OUT OF REACH OF CHILDREN.

DID YOUR UNIT COME WITH ANY DAMAGED OR MISSING PARTS?

We're here to help.

OUR TEAM OF DEDICATED CUSTOMER CARE PROFESSIONALS ARE READY TO HELP YOU WITH ANY QUESTIONS OR CONCERNS YOU MAY HAVE.

FOR IMMEDIATE ATTENTION, CALL MONDAY-THURSDAY 9:00AM-5:00PM & FRIDAY 9:00AM-1:00PM.

OR YOU CAN LEAVE US A VOICE MESSAGE OR EMAIL, AND WE GUARANTEE YOU WILL HEAR BACK FROM US WITHIN ONE BUSINESS DAY.

PHONE: 866-686-4891

EMAIL: INFO@MILLIARDBRANDS.COM



USE & CARE INSTRUCTIONS

- IF YOUR MATTRESS IS USED BY A YOUNG CHILD OR INCONTINENT ADULT, PLACE A WATERPROOF MATTRESS PROTECTOR OVER YOUR MATTRESS.
- TO CLEAN YOUR MATTRESS, SPOT WASH BY HAND AND AIR DRY.
- DO NOT MACHINE WASH OR DRY.

DISCLAIMER: MILLIARD™ ASSUMES NO LIABILITY OR RESPONSIBILITY FOR ACCIDENTS OR INJURIES TO PERSONS OR PROPERTIES ASSOCIATED WITH THE IMPROPER USE OF THIS PRODUCT, NOR DOES MILLIARD CONDONE PROHIBITED OR UNLAWFUL USES. THIS PRODUCT MUST BE USED AS DIRECTED AND ALL SAFETY PRECAUTIONS MUST BE FOLLOWED AT ALL TIMES IN ACCORDANCE TO FEDERAL AND LOCAL LAWS OR REGULATIONS. BUYER ASSUMES ALL RISKS AND LIABILITY FROM MISUSE OF THIS PRODUCT AND MILLIARD SHALL NOT BE HELD LIABLE BEYOND THE INITIAL PURCHASE COST OF THE PRODUCT FOR ANY DAMAGES ARISING FROM ITS MISUSE.

CAUTION

TAKE CARE TO USE THIS MATTRESS IN A SAFE ENVIRONMENT AWAY FROM AN OPEN FLAME OR ANY OTHER SOURCE OF IGNITION, LIKE CIGARETTES, SPACE HEATERS, CANDLES, OR NAKED LIGHTS.

Parts

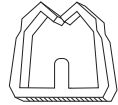
A
WHEELS X4



B
NUTS X4



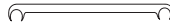
C
FLOOR PADS X4



D
LEG BRACES X2



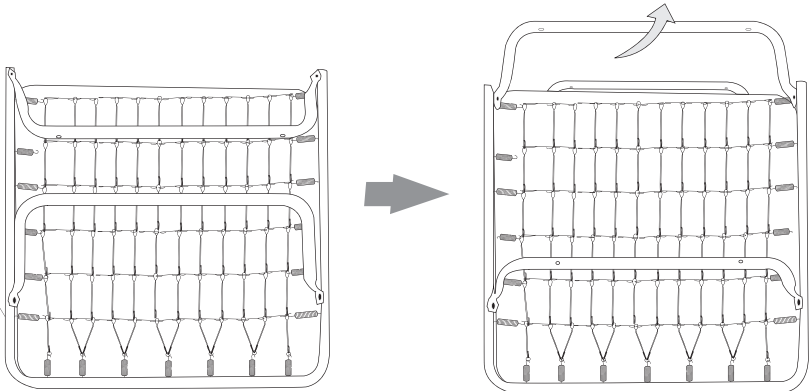
E
LEG SUPPORTS X2



Assembly Instructions

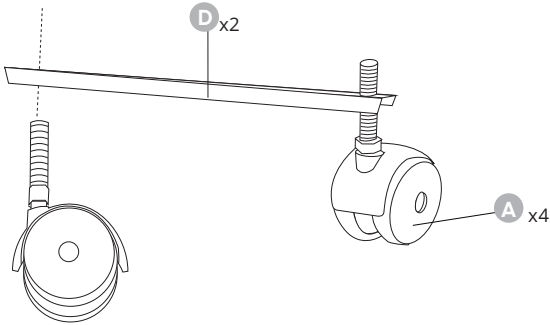
STEP 1

TURN THE BED UPSIDE DOWN AND UNFOLD THE CENTER LEGS.



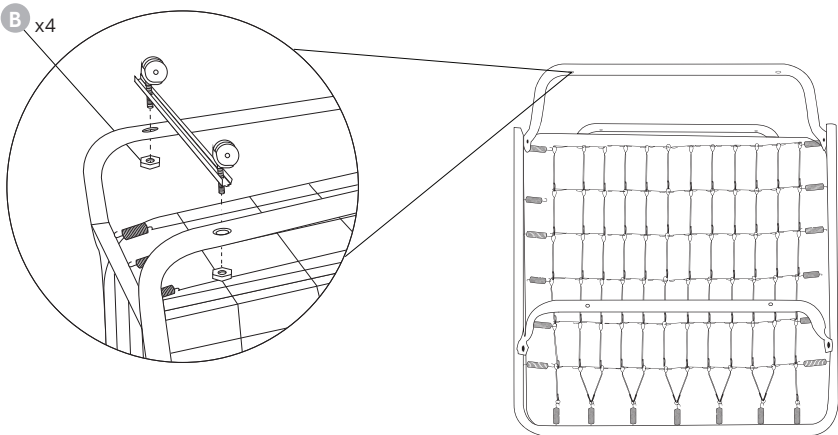
STEP 2

INSERT WHEELS (A) INTO ONE LEG BRACE (D) WITH THE CURVED SIDE OF THE BRACE FACING DOWN TOWARDS THE WHEELS.



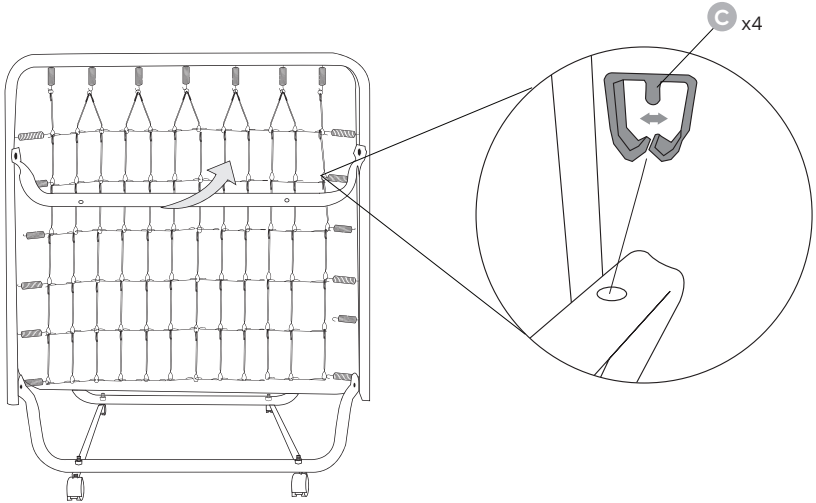
STEP 3

- TURN THIS ASSEMBLY OVER AND INSERT INTO THE HOLES ON THE BED'S CENTER LEGS AS SHOWN.
- SECURE THE WHEELS (A) USING NUTS (B).
- REPEAT FOR THE OPPOSITE SIDE OF THE CENTER LEGS.



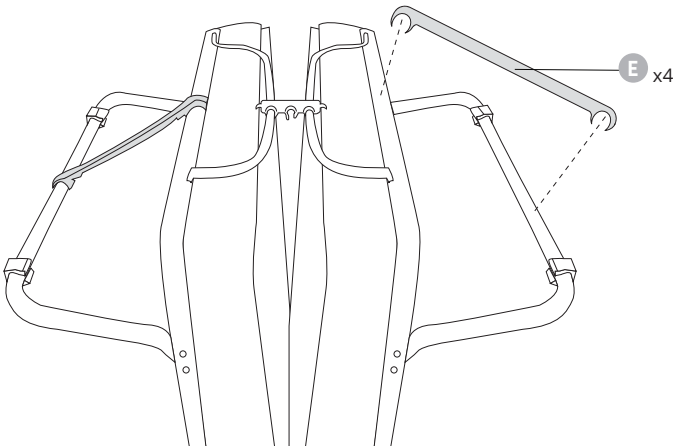
STEP 4

- BRING THE BED TO A VERTICAL AND STILL CLOSED POSITION.
- LIFT ONE OUTER LEG.
- ATTACH A FLOOR PAD (C) BY SPREADING OPEN THE ARMS AND PUSHING THE CENTER INTO ONE HOLE IN THE LEG.
- REPEAT FOR THE REMAINING 3 FLOOR PADS (C).



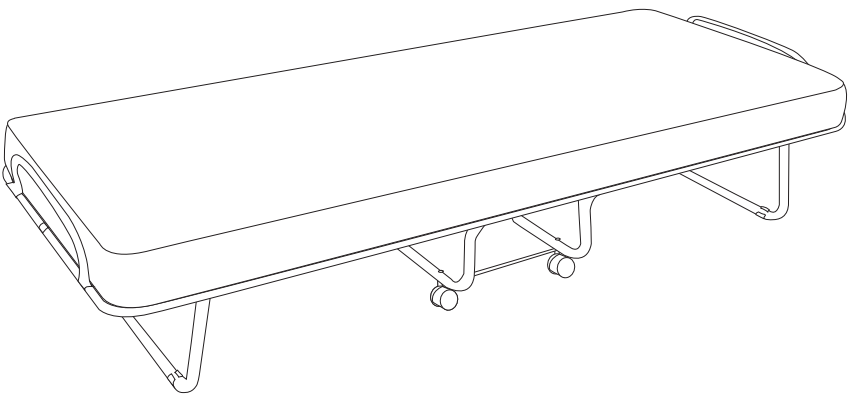
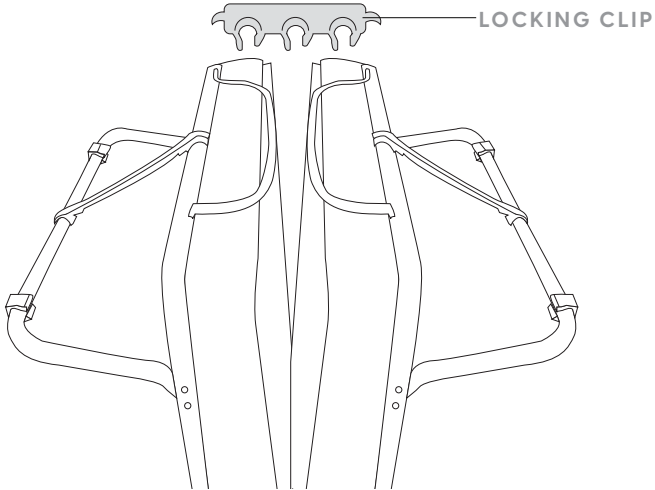
STEP 5

- EXTEND ONE OUTER LEG AND ATTACH ONE SIDE OF THE LEG SUPPORT (E) TO THE LEG. ATTACH THE OTHER SIDE OF THE LEG SUPPORT (E) TO THE FRAME.
- REPEAT FOR THE OTHER LEG.



STEP 6

OPEN THE BED BY RELEASING THE LOCKING CLIP AT THE TOP WITH ONE HAND AND GENTLY LETTING THE BED UNFOLD WITH THE OTHER HAND.



Thank you again!

YOU'VE OFFICIALLY COMPLETED ASSEMBLY.

THANK YOU AGAIN FOR YOUR PURCHASE.

WE HOPE YOU'RE LOVING IT!



PHONE: 866-686-4891 EMAIL: INFO@MILLIARDBRANDS.COM