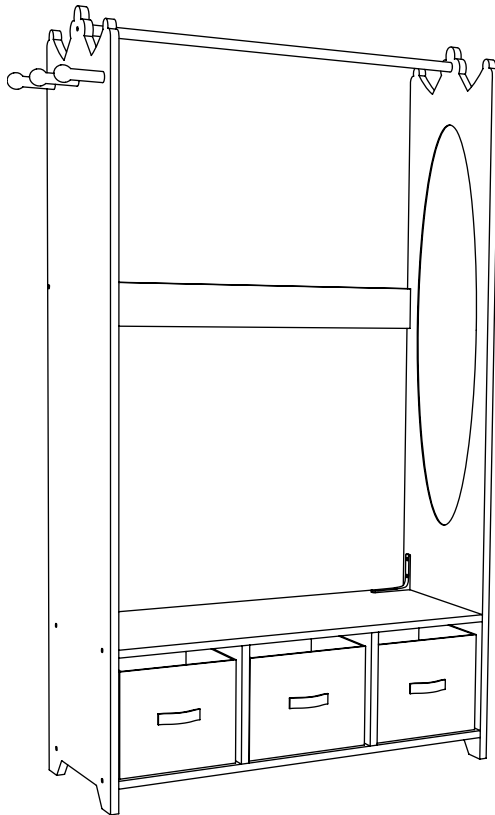


milliard™

# Junior Wardrobe Set

Congratulations on the purchase of your Junior Wardrobe Set!



**PRECAUTION:**

Always read and follow instructions before use | Always use the unit according to the manufacturers guidelines | Only use the unit in a manner as intended by manufacturer.

**⚠️WARNING:** CHOKING HAZARD - SMALL PARTS NOT FOR CHILDREN UNDER 3 YEARS.  
THIS PRODUCT IS TO BE ASSEMBLED BY AN ADULT. IN ITS UNASSEMBLED STATE THIS PRODUCT CONTAINS POTENTIALLY HAZARDOUS SHARP POINTS, SHARP EDGES, AND SMALL PARTS. KEEP OUT OF REACH OF CHILDREN.  
**DO NOT STAND ON THE WARDROBE  
DESIGNED FOR USE BY CHILDREN AGES 3-12**

---

Did your Junior Wardrobe Set come with any damaged or missing parts?

## WE'RE HERE TO HELP

Our team of dedicated customer care professionals are ready to help you with any questions or concerns you may have.

For immediate attention, call Monday-Thursday 9:00am-5:00pm & Friday 9:00am-1:00pm.

Or you can leave us a voice message or email, and we guarantee you will hear back from us within one business day.

Phone: 866-686-4891  
Email: [info@milliardbrands.com](mailto:info@milliardbrands.com)

---

### MAINTENANCE:

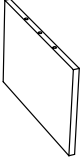
To upkeep the unit, periodically dust and wipe it with a damp cloth. For more extensive cleaning, use a mild wood cleanser and a soft cloth.

DISCLAIMER: MILLIARD™ ASSUMES NO LIABILITY OR RESPONSIBILITY FOR ACCIDENTS OR INJURIES TO PERSONS OR PROPERTIES ASSOCIATED WITH THE IMPROPER USE OF THIS PRODUCT, NOR DOES MILLIARD CONDONE PROHIBITED OR UNLAWFUL USES. THIS PRODUCT MUST BE USED AS DIRECTED AND ALL SAFETY PRECAUTIONS MUST BE FOLLOWED AT ALL TIMES IN ACCORDANCE TO FEDERAL AND LOCAL LAWS OR REGULATIONS. BUYER ASSUMES ALL RISKS AND LIABILITY FROM MISUSE OF THIS PRODUCT AND MILLIARD SHALL NOT BE HELD LIABLE BEYOND THE INITIAL PURCHASE COST OF THE PRODUCT FOR ANY DAMAGES ARISING FROM ITS MISUSE.

# WARDROBE PARTS

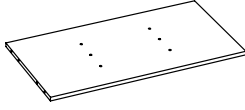
1

Storage Divider x2



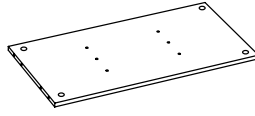
2

Bottom Panel x1



3

Top Panel x1



4

Wall Brace x1



5

Right Panel x1



6

Left Panel x1



7

Hanger Rod x1



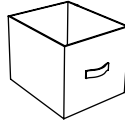
8

Hanging Knobs x3



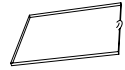
9

Storage Basket x3



10

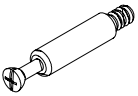
Basket Insert x3



# HARDWARE

A

Cam Screw x4



B

Locking Cam x4



C

Dowel Peg x16



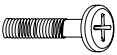
D

Long Bolt x12



E

Short Bolt x2



F

Dowel Nut x12



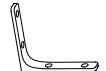
G

Short Screw x8



H

Panel Brace x2



I

Long Screw x3



J

Wall Anchor x2



K

Wall Screw x2



L

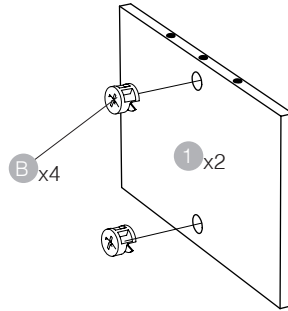
Hex/Phillips Key



# ASSEMBLY INSTRUCTIONS

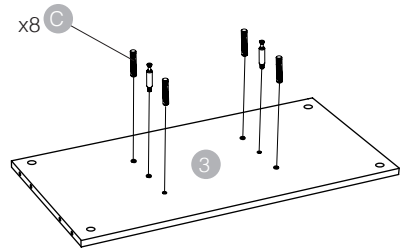
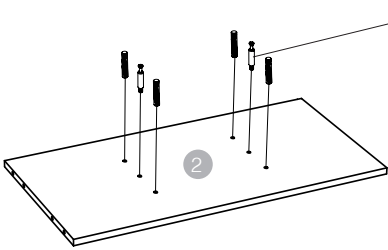
## STEP 1

Begin assembly by pressing locking cams **B** into the holes in each storage divider **1** with the cross pattern facing out.



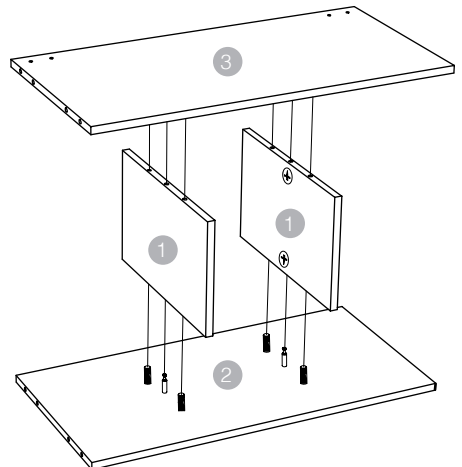
## STEP 2

Then prep the bottom panel **2** and top panel **3** by fastening cam screws **A** and dowel pegs **C** in the pre-drilled holes.



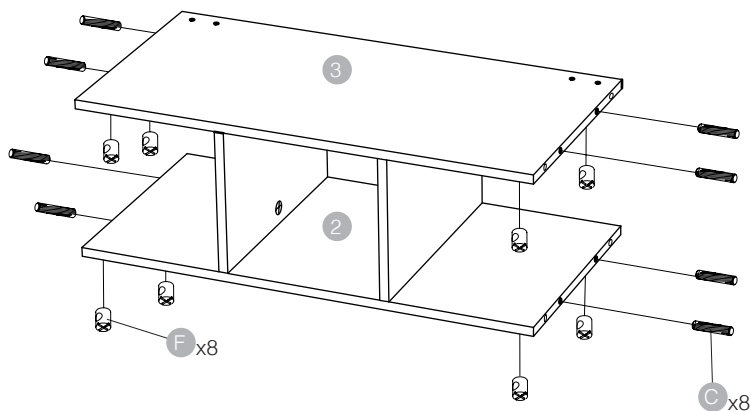
## STEP 3

Attach the storage dividers **1** onto the top and bottom panels **2**. Twist the locking cams **B** clockwise to lock the screws in place. Repeat until the top panel **3** and bottom panel **2** are fitted together tightly.



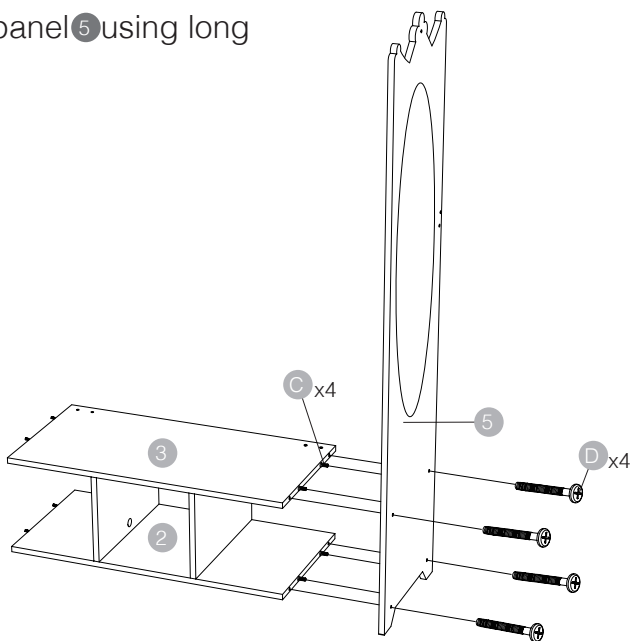
## STEP 4

- Insert dowel nuts **F** into the holes underneath the bottom panel **2** and top panel **3**.
- Then, fit dowel pegs **C** into the pre-drilled holes on the sides of the panels.



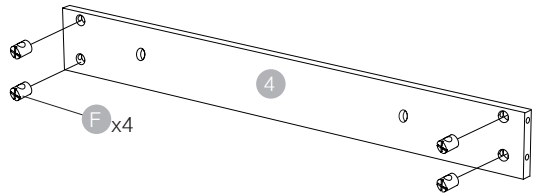
## STEP 5

Attach the right panel **5** using long bolts **D**.



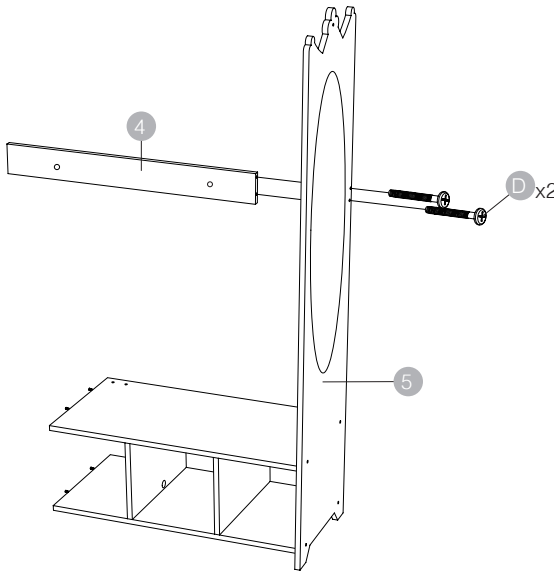
## STEP 6

Insert dowel nuts **F** into the back of the wall brace **4**.



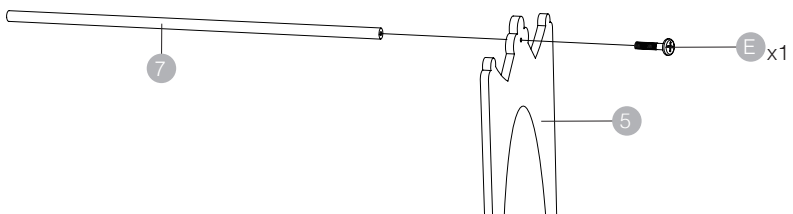
## STEP 7

Attach the wall brace **4** to the right panel **5** using long bolts **D**.



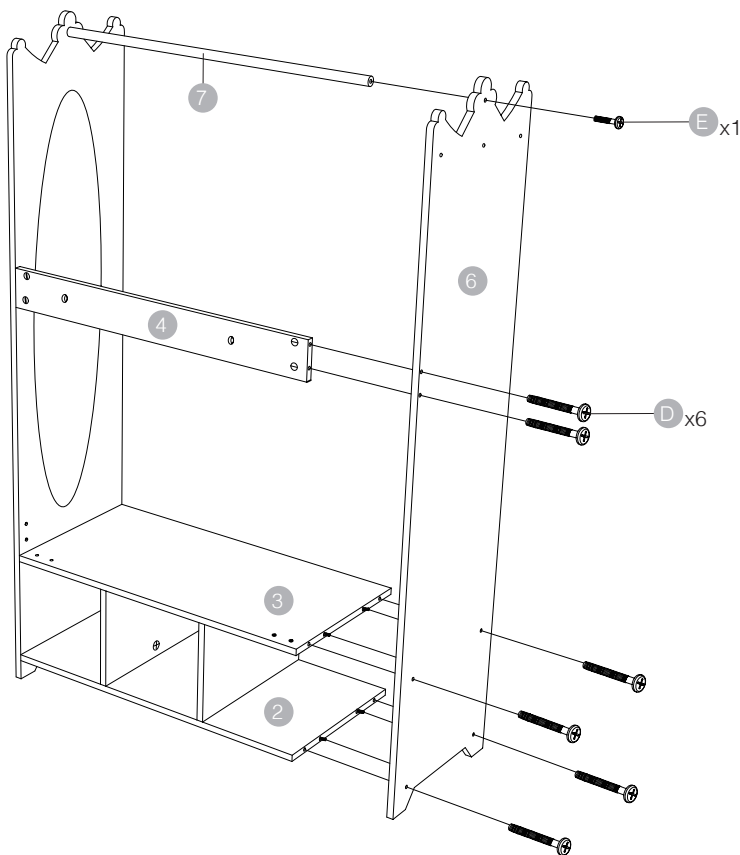
## STEP 8

Then attach the hanger rod **7** at top of the right panel **5** with a short bolt **E**.



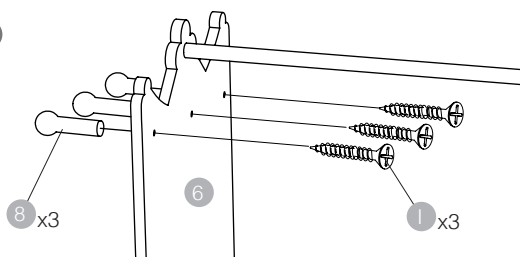
## STEP 9

- Attach bottom panel 2, top panel 3, wall brace 4 to the left panel 6 using long bolts D.
- Secure the hanger rod 7 to left panel 6 using a short bolt E.



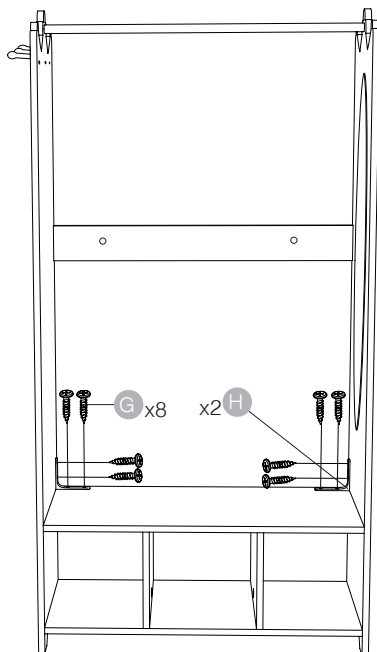
## STEP 10

Attach the hanging knobs 8 with long screws 1 to the top of the left panel 6.



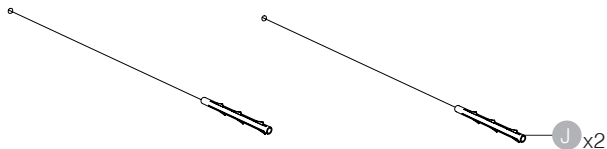
## STEP 11

With both left and right panels installed, you may attach the panel braces **H** with short screws **G**.



## STEP 12

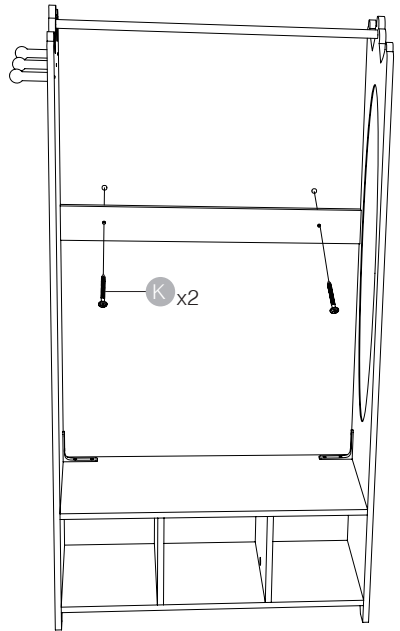
It is strongly recommended that the wardrobe be secured to a wall for stability and safety. Use a pencil to mark the holes onto the wall; then move away the wardrobe. Next drill small holes at the pencil marks in the wall. Push the wall anchors **J** into the holes.





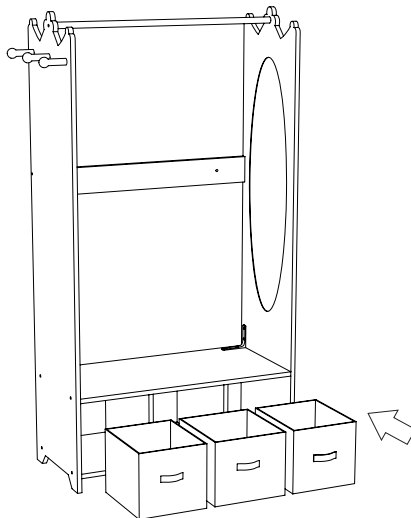
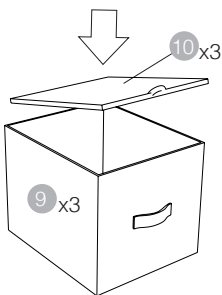
## STEP 13

Once the anchors are in place, stand the wardrobe in front of them and use wall screws **K** to fasten the wardrobe to the wall.



## STEP 14

Place basket inserts **10** in the storage baskets **9** and insert them in the storage area.



*Note: Don't forget to remove the protective film from the mirror before using it.*

*Your wardrobe is now complete!*