



# Dollhouse

Congratulations on the purchase of your Dollhouse!



**PRECAUTION:**

Always read and follow instructions before use | Always use the unit according to the manufacturers guidelines | Only use the unit in a manner as intended by manufacturer.

**⚠ WARNING:** THIS PRODUCT IS TO BE ASSEMBLED BY AN ADULT. IN ITS UNASSEMBLED STATE THIS PRODUCT CONTAINS POTENTIALLY HAZARDOUS SHARP POINTS, SHARP EDGES, AND SMALL PARTS. KEEP OUT OF REACH OF CHILDREN.

---

Did your Dollhouse come with any damaged or missing parts?

## WE'RE HERE TO HELP

Our team of dedicated customer care professionals are ready to help you with any questions or concerns you may have.

For immediate attention, call Monday-Thursday 9:00am-5:00pm & Friday 9:00am-1:00pm.

Or you can leave us a voice message or email, and we guarantee you will hear back from us within one business day.

Phone: 866-686-4891  
Email: [info@milliardbrands.com](mailto:info@milliardbrands.com)

---

### MAINTENANCE:

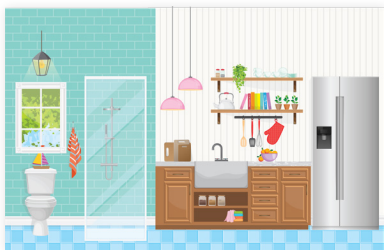
To upkeep the Dollhouse, periodically dust and wipe it with a damp cloth. For more extensive cleaning, use a mild wood cleanser and a soft cloth.

DISCLAIMER: MILLIARD™ ASSUMES NO LIABILITY OR RESPONSIBILITY FOR ACCIDENTS OR INJURIES TO PERSONS OR PROPERTIES ASSOCIATED WITH THE IMPROPER USE OF THIS PRODUCT, NOR DOES MILLIARD CONDONE PROHIBITED OR UNLAWFUL USES. THIS PRODUCT MUST BE USED AS DIRECTED AND ALL SAFETY PRECAUTIONS MUST BE FOLLOWED AT ALL TIMES IN ACCORDANCE TO FEDERAL AND LOCAL LAWS OR REGULATIONS. BUYER ASSUMES ALL RISKS AND LIABILITY FROM MISUSE OF THIS PRODUCT AND MILLIARD SHALL NOT BE HELD LIABLE BEYOND THE INITIAL PURCHASE COST OF THE PRODUCT FOR ANY DAMAGES ARISING FROM ITS MISUSE.

# DOLLHOUSE PARTS

1

1st Floor Back Wall



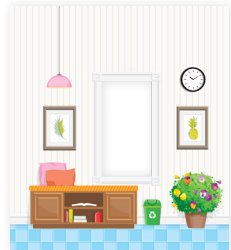
2

1st Floor Column



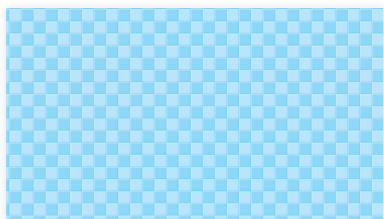
3

1st Floor Right Wall



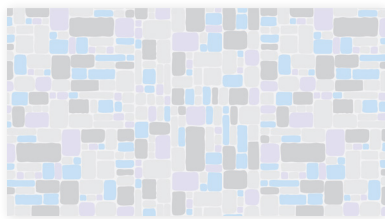
4

1st Floor Flooring



5

1st Floor Ceiling



6

1st Floor Left Wall



7

1st Floor Stopper



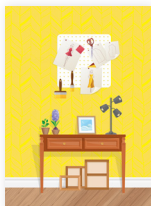
8

2nd Floor Back Wall



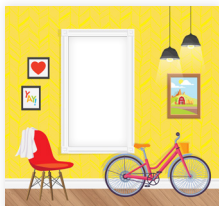
9

2nd Floor Column



10

2nd Floor Right Wall



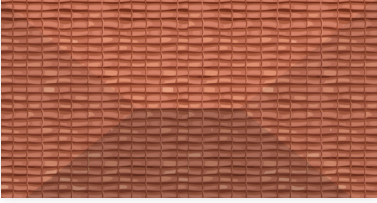
11

2nd Floor Flooring



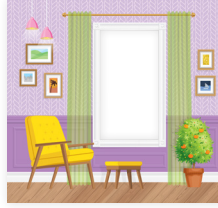
12

2nd Floor Ceiling



13

2nd Floor Left Wall



14

2nd Floor Stopper



15

Attic Right Wall



16

Attic Back Wall



17

Attic Floor Flooring



18

Attic Left Wall



19

Attic Right Ceiling



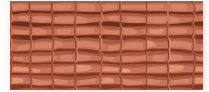
20

Attic Left Ceiling



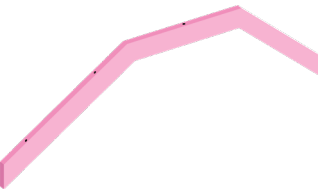
21

Attic Middle Ceiling



22

Attic Frame



23

Box Cover



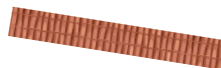
24

Long Box Side x2



25

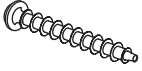
Short Box Side x2



# HARDWARE

A

Long Screw x42



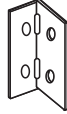
B

Small Screw x16



C

Hinge x4



D

Medium Screw x12



E

Screw x4



F

Clips x4



# FURNITURE

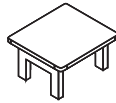
Lamp



TV



Coffee Table



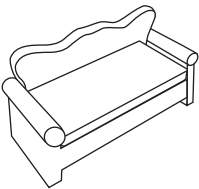
Grill



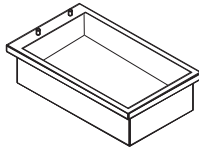
Kabob x2



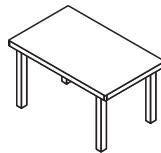
Sofa



Bathtub



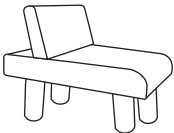
Desk



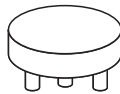
Table



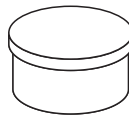
Outdoor Chair x2



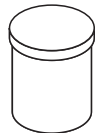
Stool A



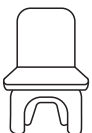
Stool B



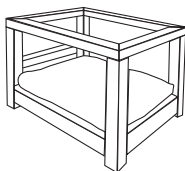
Seat



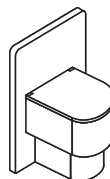
Chair x2



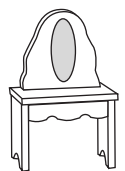
Bed



Toilette



Vanity

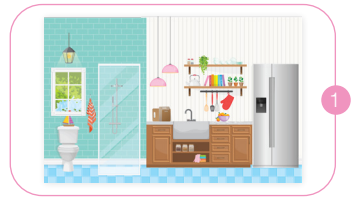
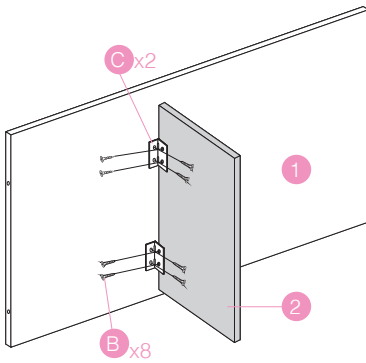


# ASSEMBLY INSTRUCTIONS

Let's build the first floor...

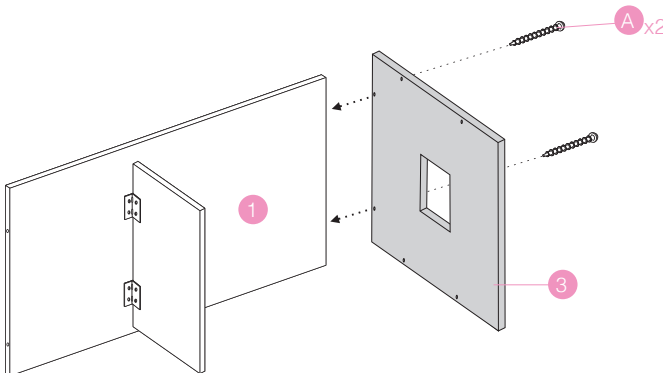
## STEP 1

Let's start by attaching the **first floor column (2)** to the **first floor back wall (1)** using **hinges (C)** and **small screws (B)**.



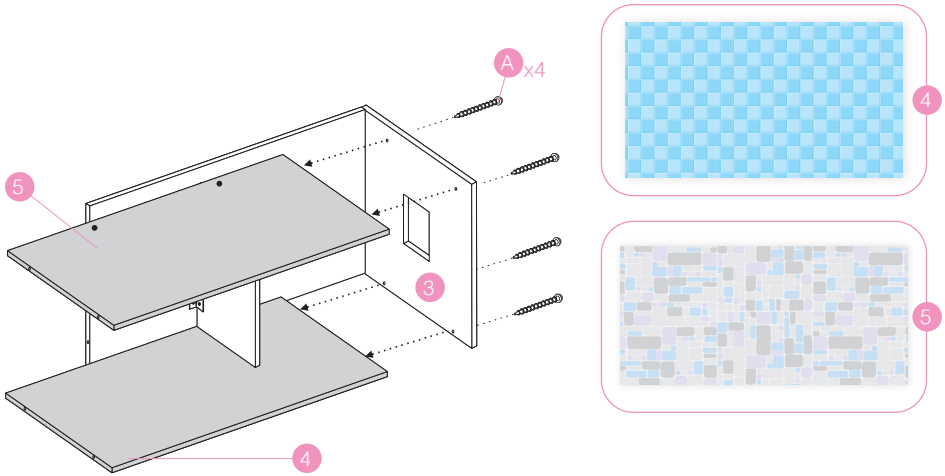
## STEP 2

Attach the **first floor right wall (3)** to the **first floor back wall (1)** using **long screws (A)**.



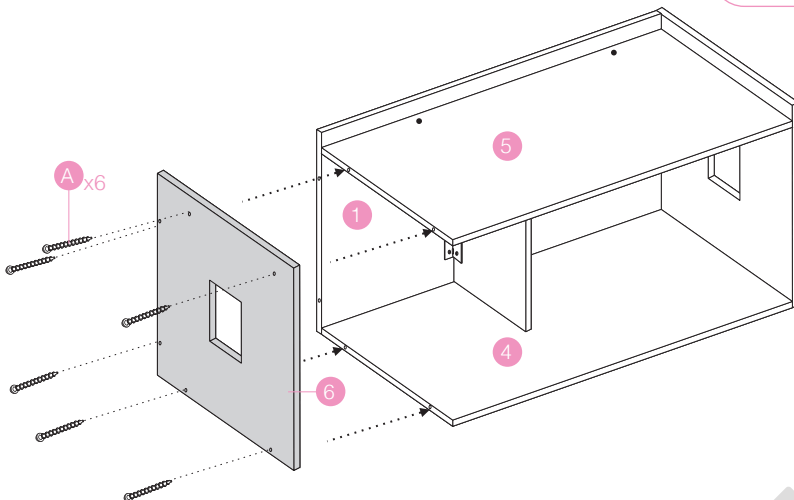
## STEP 3

Secure the first floor flooring (4) and the first floor ceiling (5) to the first floor right wall (3) using long screws (A).



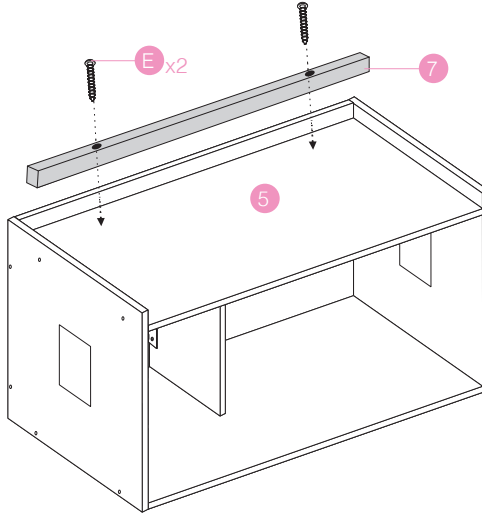
## STEP 4

Attach the first floor left wall (6) to the first floor back wall (1), first floor flooring (4) and first floor ceiling (5) using long screws (A).



## STEP 5

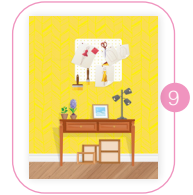
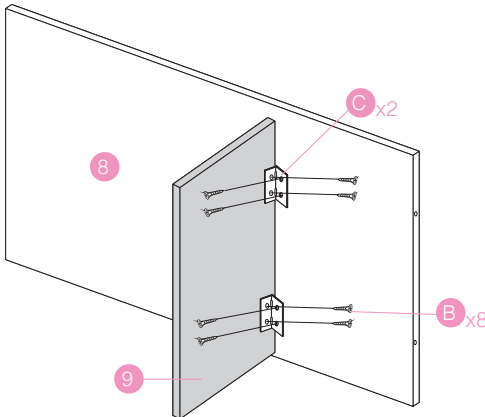
Attach the **first floor stopper (7)** to the **first floor ceiling (5)** using screws (**E**).



*Great job so far, let's put together the second floor...*

## STEP 6

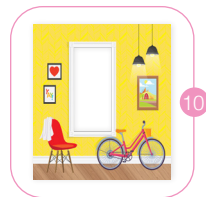
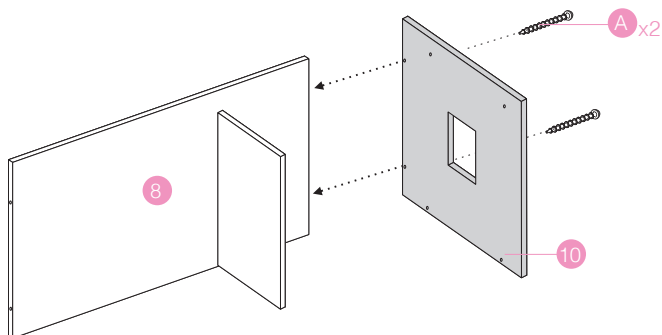
Let's attach the **second floor column (9)** to the **second floor back wall (8)** using hinges (**C**) and small screws (**B**).





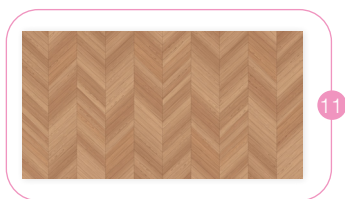
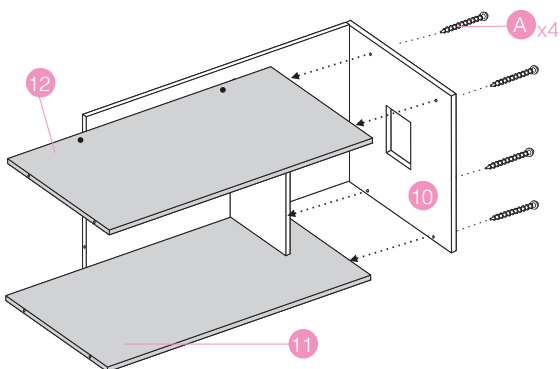
## STEP 7

Attach the **second floor right wall (10)** to the **second floor back wall (8)** using long screws (A).



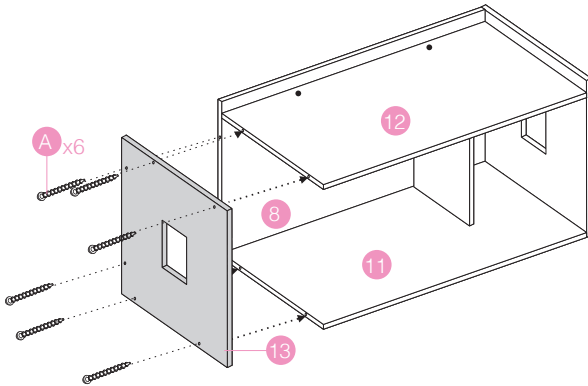
## STEP 8

Secure the **second floor flooring (11)** and the **second floor ceiling (12)** to the **second floor right wall (10)** using long screws (A).



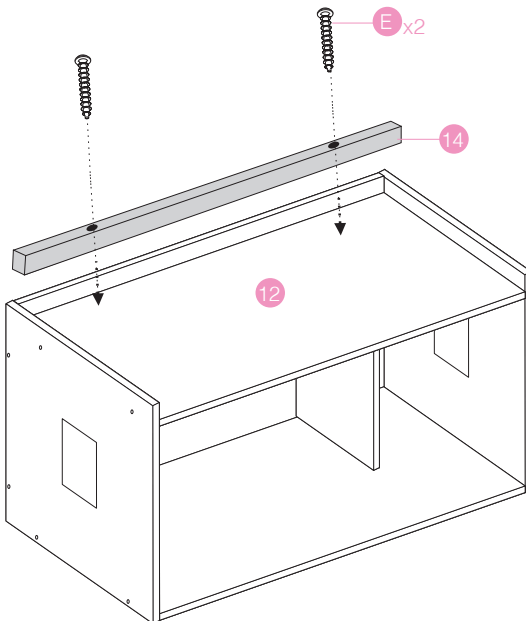
## STEP 9

Attach the **second floor left wall (13)** to the **second floor back wall (8)**, the **second floor flooring (11)** and **second floor ceiling (12)** using **long screws (A)**.



## STEP 10

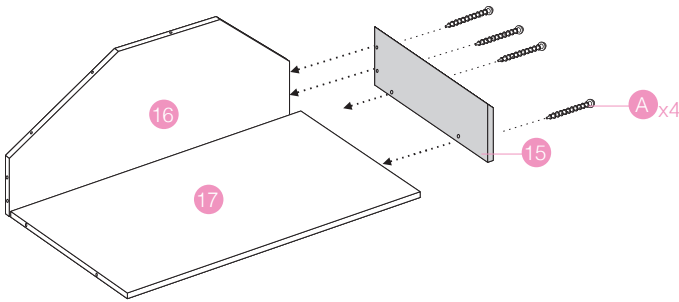
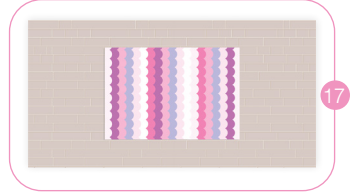
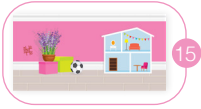
Attach the **second floor stopper (14)** to the **second floor ceiling (12)** using **screws (E)**.



Now, it is time to build the attic...

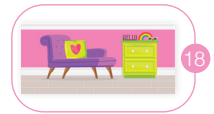
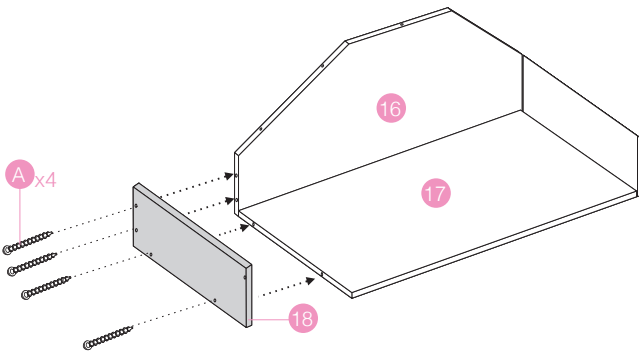
## STEP 11

Attach the **attic right wall (15)** to the **attic floor flooring (17)** and the **attic back wall (16)** using long screws (A).



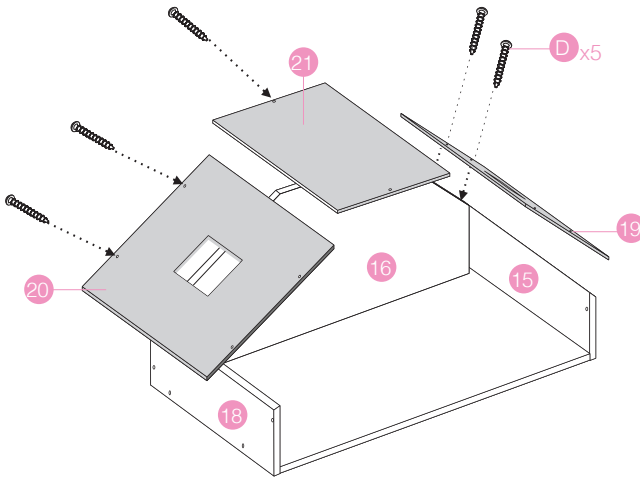
## STEP 12

Secure the **attic left wall (18)** to the **attic floor flooring (17)** and the **attic back wall (16)** using long screws (A).



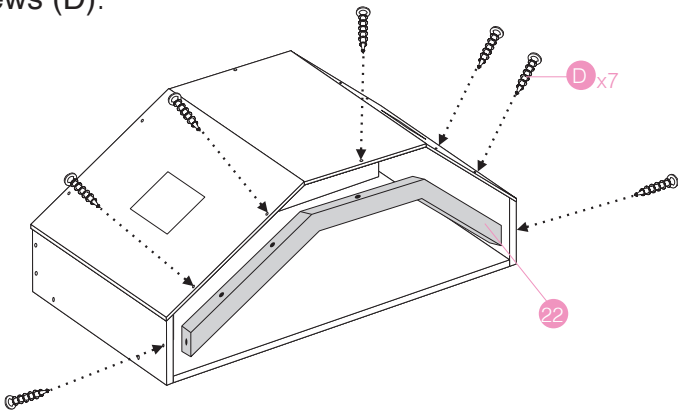
## STEP 13

- Attach the **attic right ceiling (19)** to the **attic right wall (15)** and the **attic back wall (16)** using **medium screws (D)**.
- Attach the **attic middle ceiling (21)** to the **attic back wall (16)** using a **medium screw (D)**.
- Attach the **attic left ceiling (20)** to the **attic left wall (18)** and the **attic back wall (16)** using **medium screws (D)**.



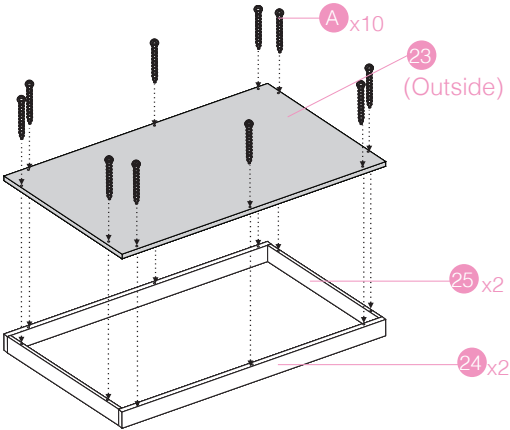
## STEP 14

Secure the **attic frame (22)** to the **attic right ceiling (19)**, the **attic middle ceiling (21)** and the **attic left ceiling (20)** using **medium screws (D)**.



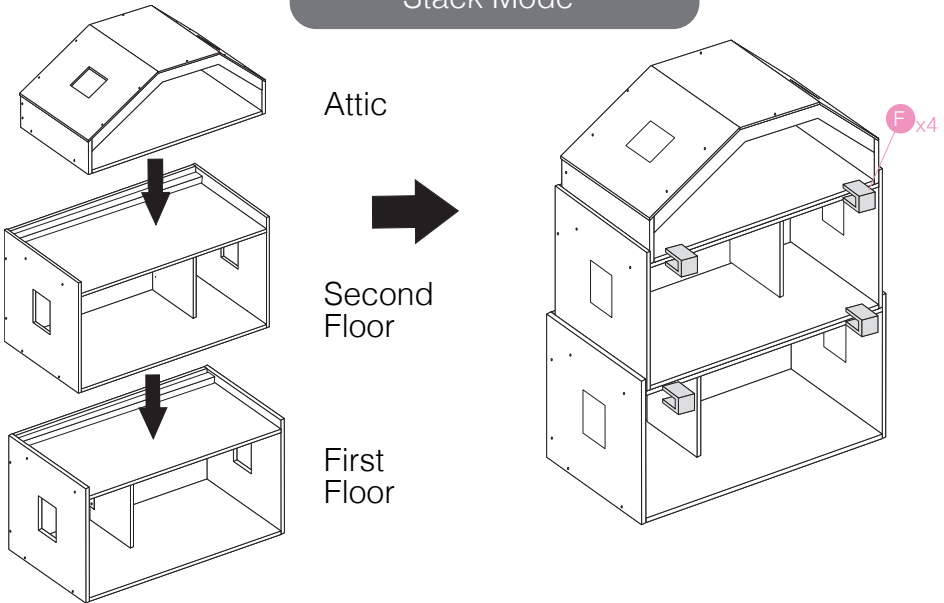
## STEP 15

Finally, let's build the box cover. Attach the **long box sides (24)** and the **short box sides (25)** to the **box cover (23)** using **long screws (A)**.



*Congratulations! Enjoy your new home.*

## Stack Mode



*Note: To secure the levels in stack mode, stretch the clips and gently attach them, ensuring that the dollhouse isn't mistakenly damaged in the process.*

Store Mode

