



Changing Table

Congratulations on the purchase of your Changing Table!



PRECAUTION:

Always read and follow instructions before use | Always use the unit according to the manufacturers guidelines | Only use the unit in a manner as intended by manufacturer.

⚠ WARNING: THIS PRODUCT IS TO BE ASSEMBLED BY AN ADULT. IN ITS UNASSEMBLED STATE THIS PRODUCT CONTAINS POTENTIALLY HAZARDOUS SHARP POINTS, SHARP EDGES, AND SMALL PARTS. KEEP OUT OF REACH OF CHILDREN.

⚠ WARNING

FALL HAZARD: CHILDREN HAVE SUFFERED SERIOUS INJURIES AFTER FALLING FROM CHANGING TABLES. FALLS CAN HAPPEN QUICKLY.

- **STAY** IN ARM'S REACH OF YOUR CHILD.
- **ALWAYS** SECURE THIS PRODUCT TO THE SUPPORT FRAME, SEE INSTRUCTIONS IN **STEPS 33 AND 34**.

SUFFOCATION HAZARD: BABIES HAVE SUFFOCATED WHILE SLEEPING IN CHANGING AREAS. CHANGING AREAS ARE NOT DESIGNED FOR SAFE SLEEPING.

- **NEVER** ALLOW BABY TO SLEEP IN CHANGING AREA.

Did your Changing Table come with any damaged or missing parts?

WE'RE HERE TO HELP

Our team of dedicated customer care professionals are ready to help you with any questions or concerns you may have.

For immediate attention, call Monday-Thursday 9:00am-5:00pm & Friday 9:00am-1:00pm.

Or you can leave us a voice message or email, and we guarantee you will hear back from us within one business day.

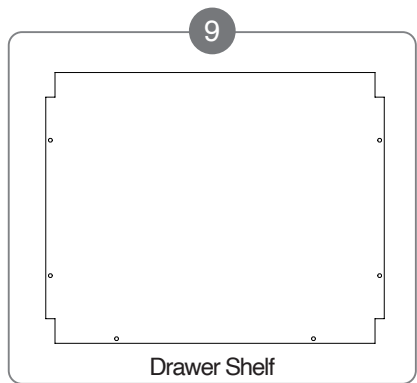
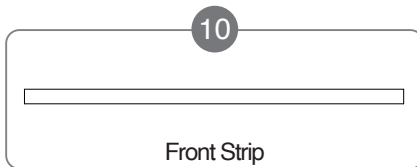
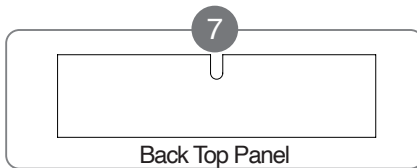
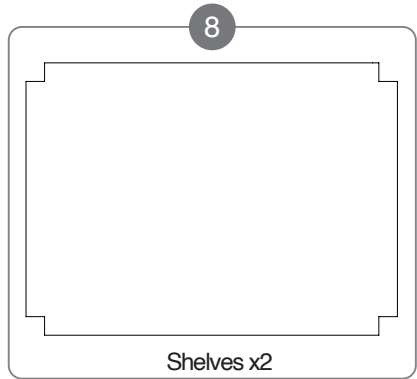
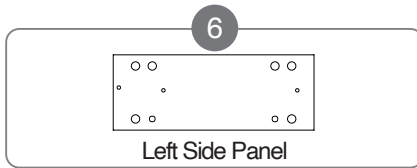
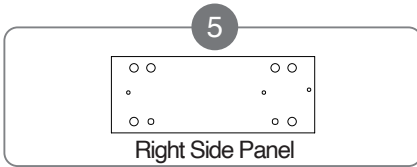
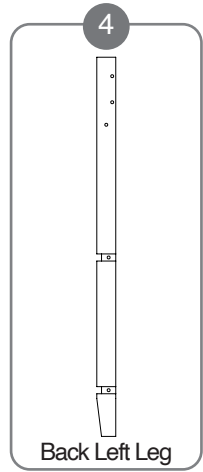
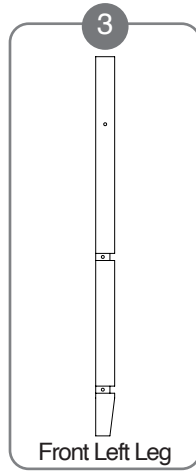
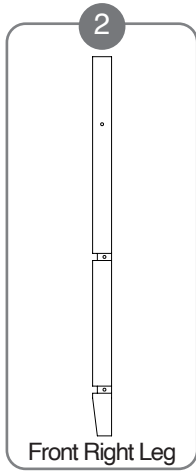
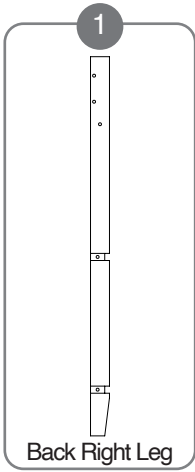
Phone: 866-686-4891

Email: info@milliardbrands.com

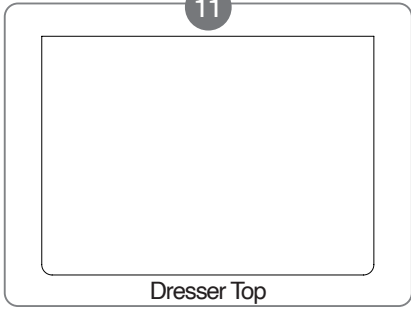
MAINTENANCE:

To keep the unit clean, periodically dust and wipe it with a damp cloth. For more extensive cleaning, use a mild wood cleanser and a soft cloth.

CHANGING TABLE PARTS

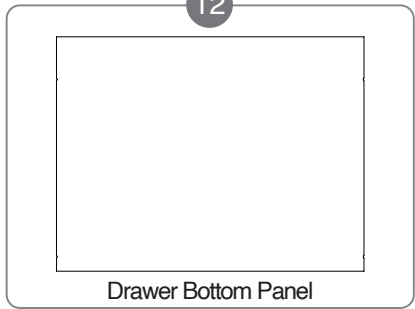


11



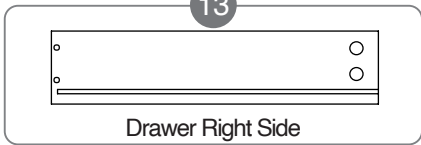
Dresser Top

12



Drawer Bottom Panel

13



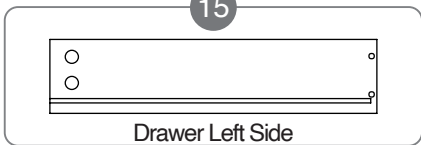
Drawer Right Side

14



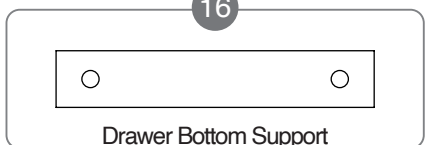
Drawer Back Side

15



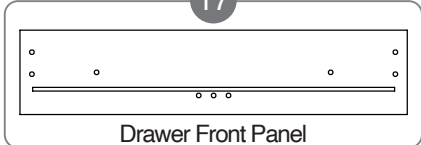
Drawer Left Side

16



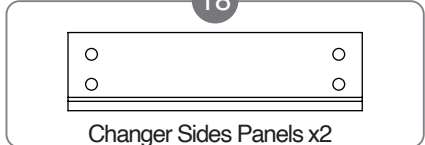
Drawer Bottom Support

17



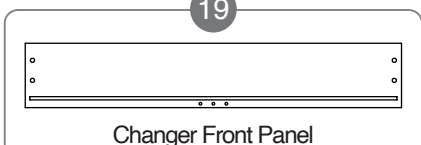
Drawer Front Panel

18



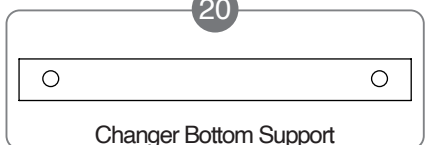
Changer Sides Panels x2

19



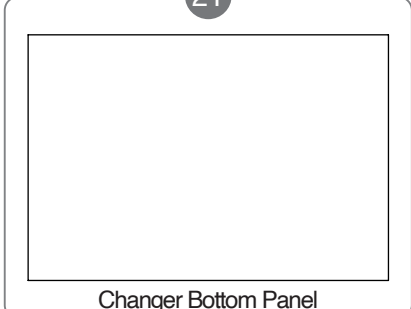
Changer Front Panel

20



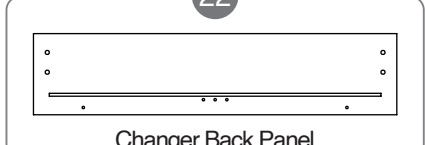
Changer Bottom Support

21



Changer Bottom Panel

22



Changer Back Panel

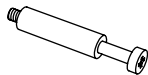
HARDWARE PARTS

A



Cam Locks x26

B



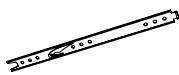
Cam Screw x26

C



Dresser Side Rail x2

D



Drawer Rail x2

E



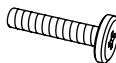
x12

F



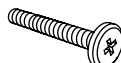
Slotted Barrel Nut x28

G



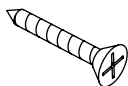
Bolt x12

H



Long Bolt x12

I



x8

J



Dowel Pins x8

K



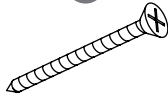
x2

L



Drawer Knobs x2

M



Long Screw x1

N



Short Screw x1

O



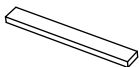
Wall Anchor x1

P



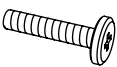
L Bracket x1

Q



Non Slip Tape x6

R



White Bolt x4

S

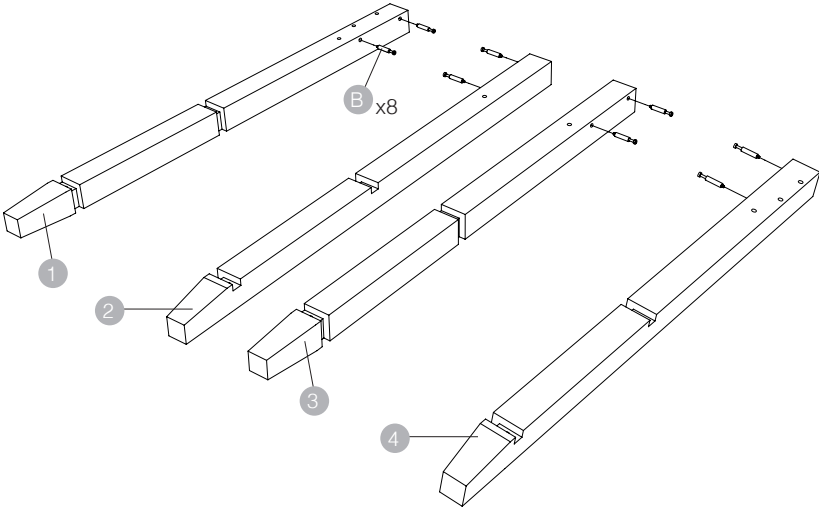


Hex Key x1

ASSEMBLY INSTRUCTIONS

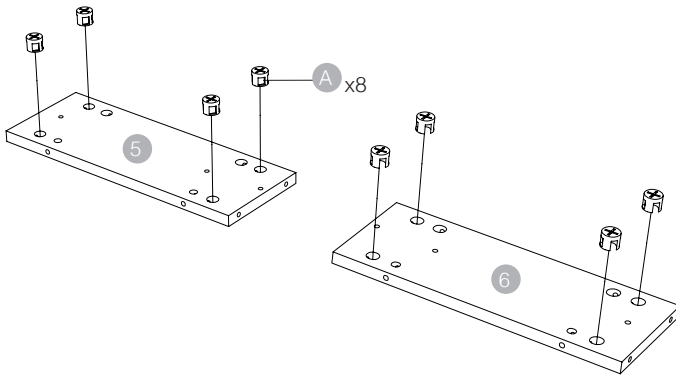
STEP 1

Attach the cam screws **B** to the legs **1** **2** and **3** **4**.



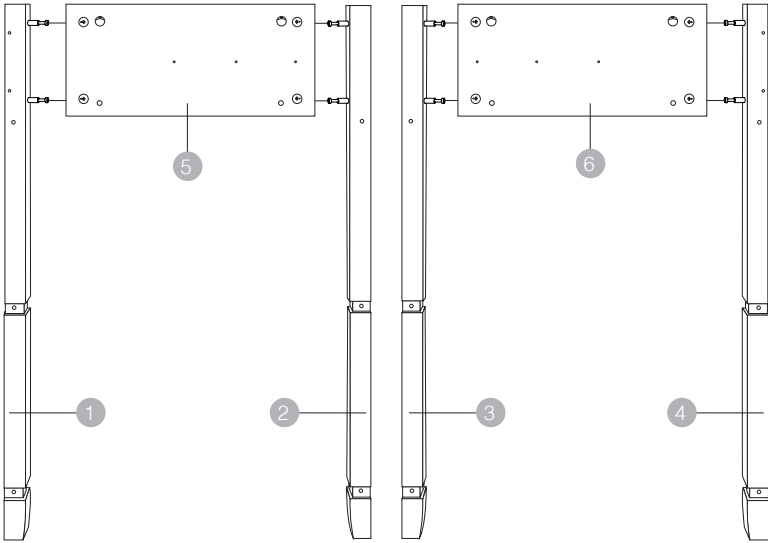
STEP 2

Insert the cam locks **A** into the holes on the right side panel **5** and left side panel **6**.



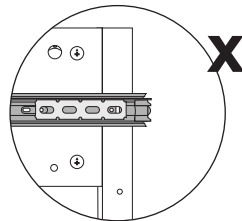
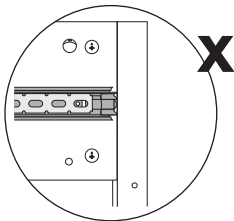
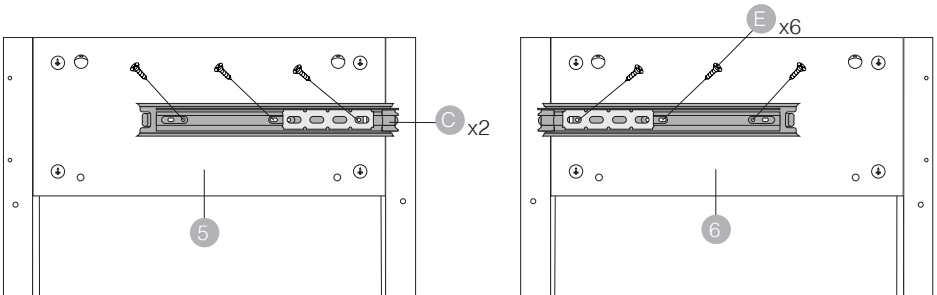
STEP 3

- Attach the front and back right legs ① ② with the right side panel ⑤ by turning the cam lock clockwise 90 degrees.
- Attach the front and back left legs ③ ④ with the left side panel ⑥ by turning the cam lock clockwise 90 degrees.



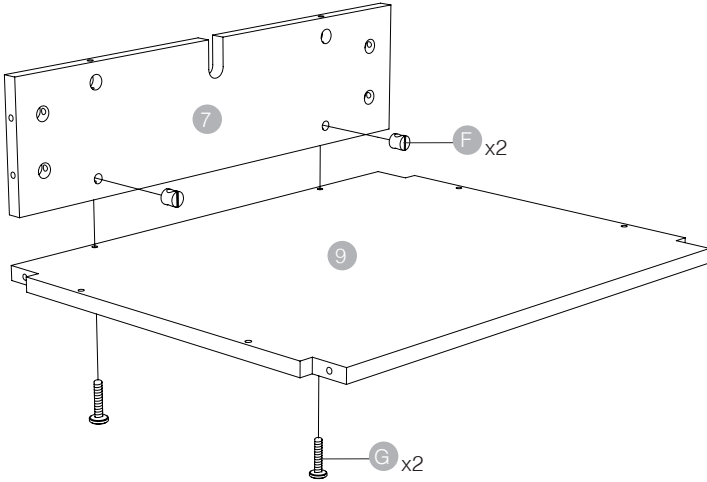
STEP 4

- Attach dresser rail (C) to right side panel (5) using (E) screws.
- Attach dresser rail (C) to left side panel (6) using (E) screws.



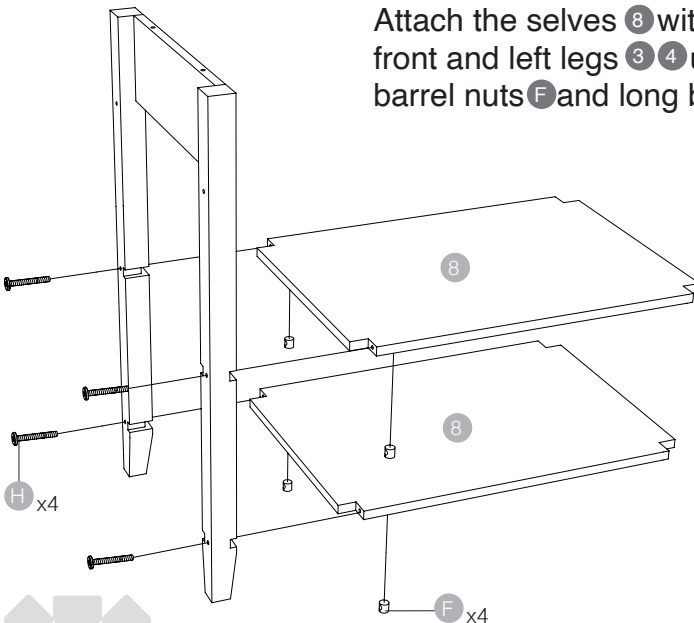
STEP 5

- Insert slotted barrel nuts **F** into the holes on the back top panel **7**.
- Attach the drawer shelf **9** with the back top panel **7** using bolts **G**.



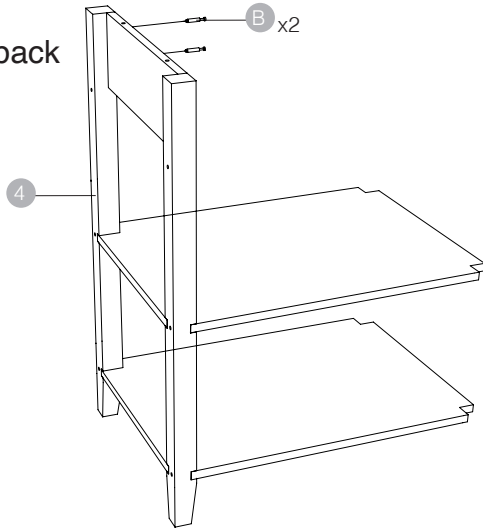
STEP 6

Attach the selves **8** with the back and front and left legs **3** **4** using slotted barrel nuts **F** and long bolts **H**.



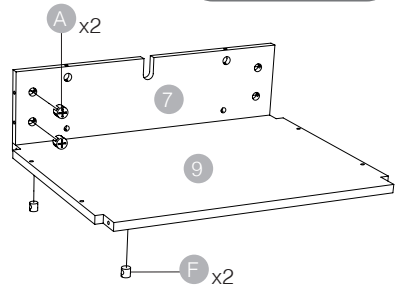
STEP 7

Attach cam screws **B** to back left leg **4**.



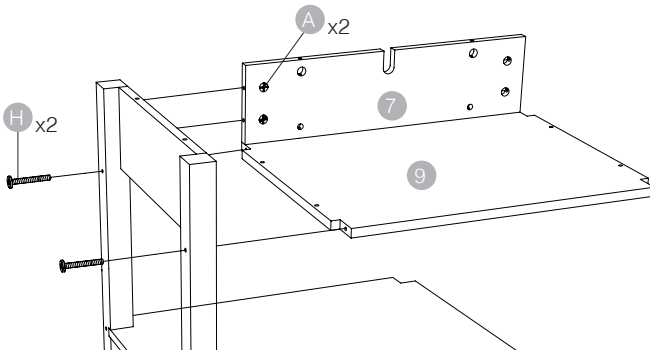
STEP 8

- Insert cam locks **A** into the holes on the back top panel **7**.
- Insert slotted barrel nut **F** into the holes on the drawer shelf **9**.



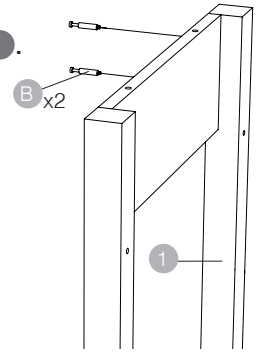
STEP 9

- Attach drawer shelf **9** to the left legs **3** **4** using long bolts **H**.
- Secure the back top panel **7** by turning the cam locks **A** clockwise 90 degrees.



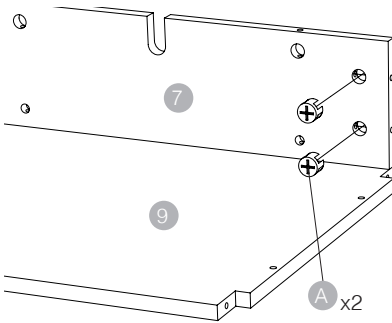
STEP 10

Attach the cam screws **B** to the back right leg **1**.



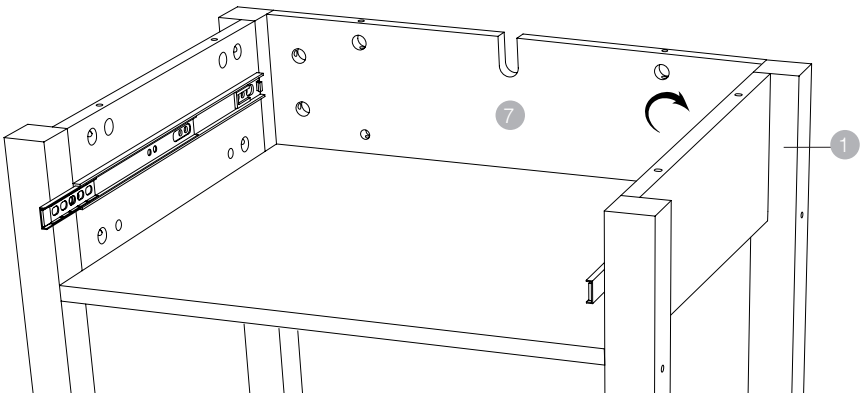
STEP 11

Insert cam locks **A** into the holes on the back panel **7**.



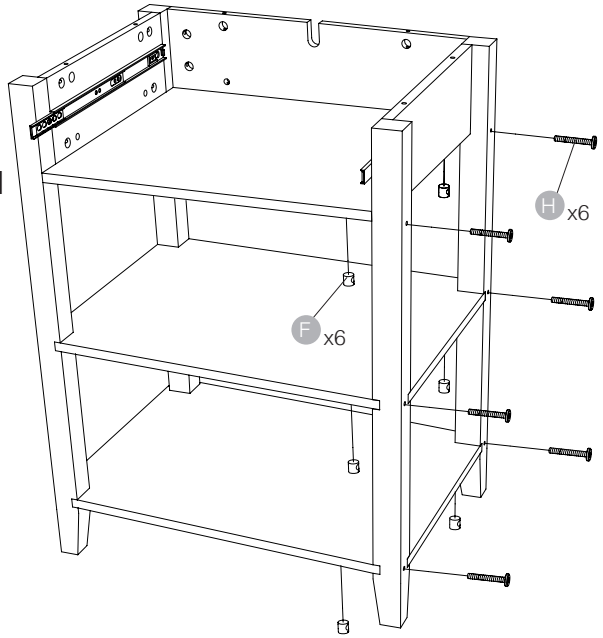
STEP 12

Attach the back right leg **1** to the back top panel **7** by turning the cam locks **A** clockwise 90 degrees.



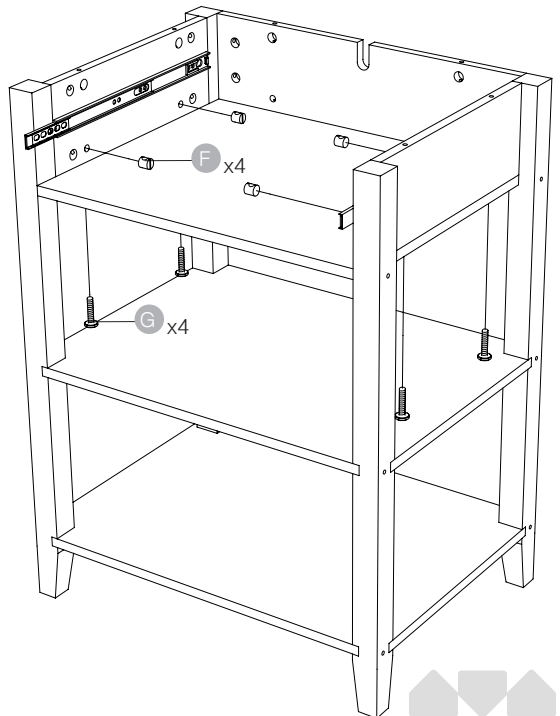
STEP 13

Attach the shelves **8** and the drawer shelf **9** with the back, front and right legs **1** **2** using slotted barrel nuts **F** and long bolts **H**.



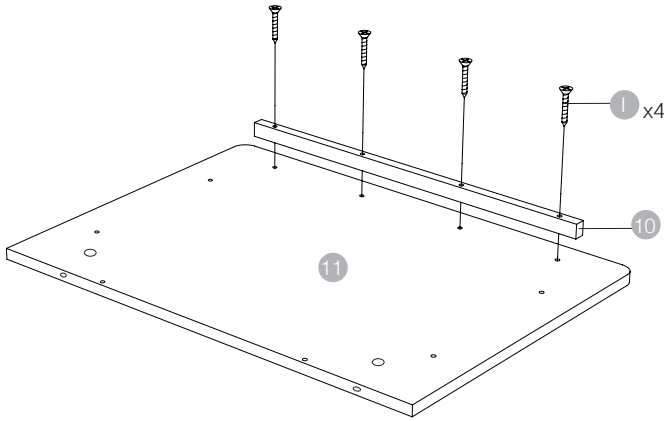
STEP 14

Secure the drawer shelf **9** with the right side panel **5** and the left side panel **6** using slotted barrel nuts **F** and bolts **G**.



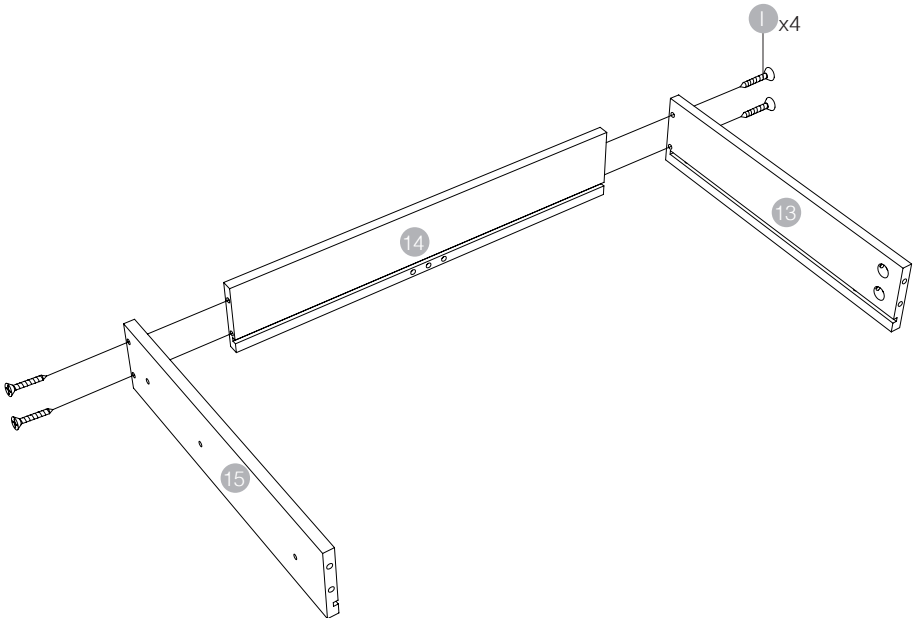
STEP 15

Attach the front strip 10 to the dresser top 11 using 1 screws.



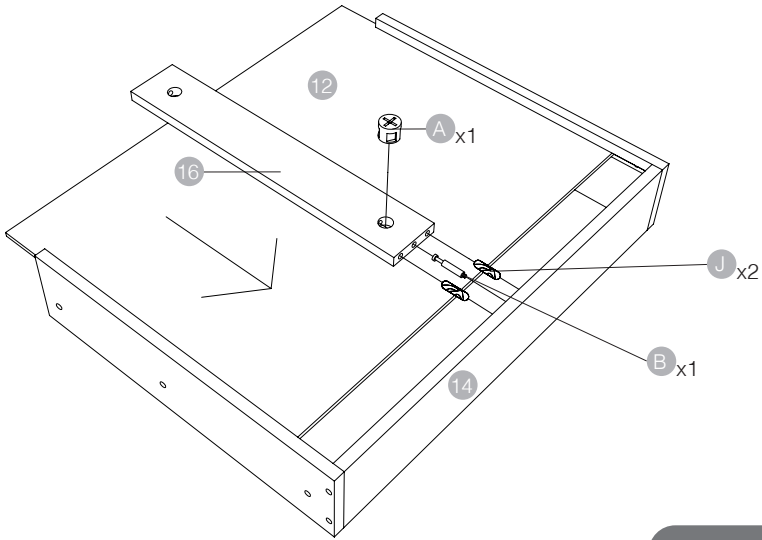
STEP 16

Attach the drawer right side 13 and drawer left side 15 to the drawer back 14 using 1 screws.



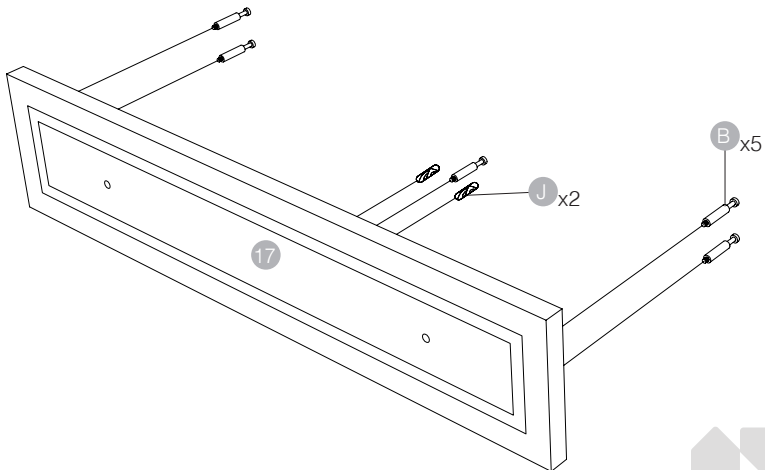
STEP 17

- Attach the cam screw **B** and the dowel pins **J** to the drawer back **14**.
- Slide in the drawer bottom panel **12**.
- Insert a cam lock **A** into the hole at the drawer bottom support **16** and secure it to the drawer back **14** by turning the cam lock **A** clockwise 90 degrees.



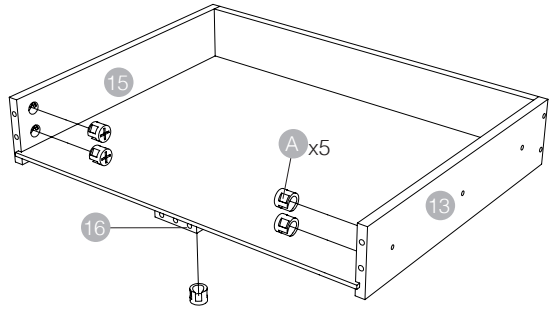
STEP 18

Attach cam screws **B** and dowel pins **J** to the drawer front panel **17**.



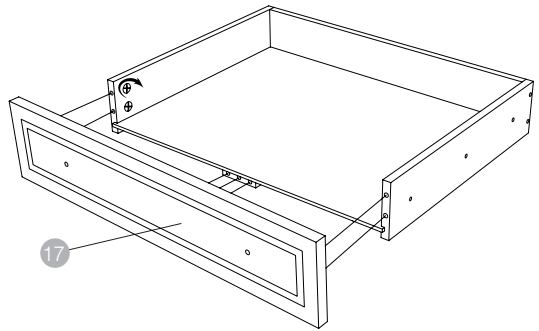
STEP 19

Insert cam locks **A** into the holes on the drawer right **13** side, drawer left **15** side and drawer bottom support **16**.



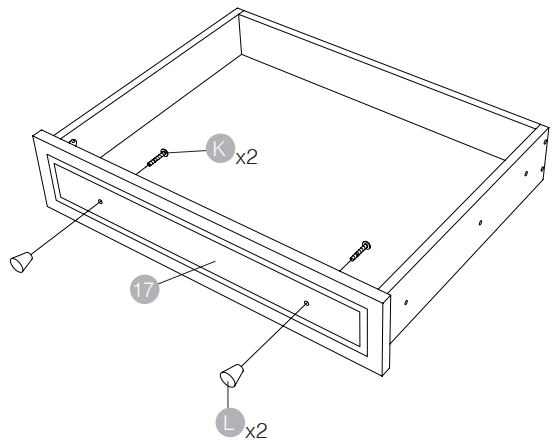
STEP 20

Secure the drawer front panel **17** to the drawer sides **13** **15** and bottom support **16** by turning the cam locks **A** clockwise 90 degrees.



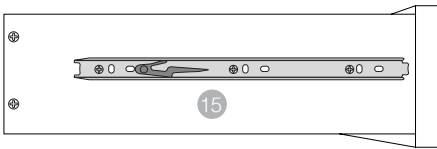
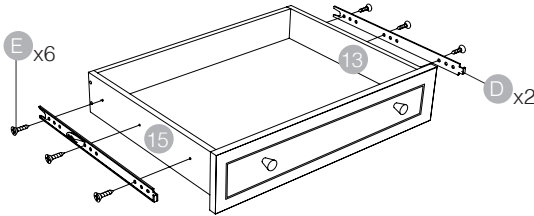
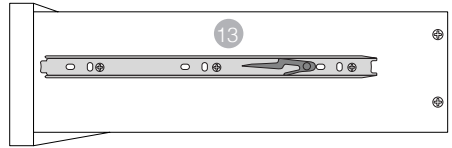
STEP 21

Attach the drawer knobs **L** to the drawer front panel **17** using **K** screws.



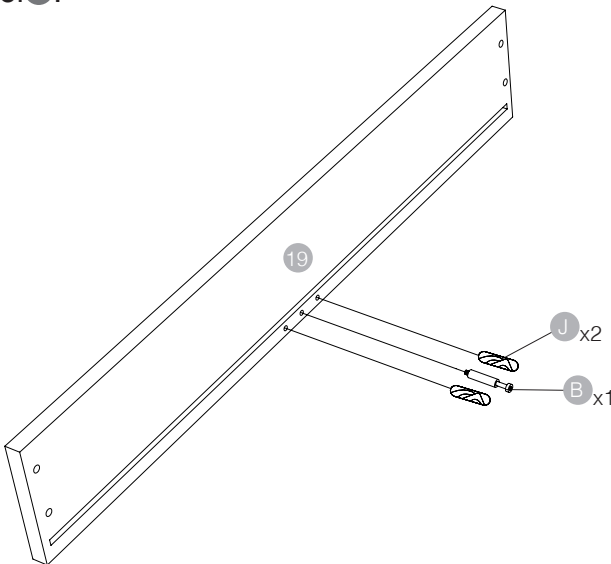
STEP 22

- Attach the drawer side rail **D** with the drawer right side **13** using **E** screws.
- Attach the drawer side rail **D** with the drawer left side **15** using **E** screws.



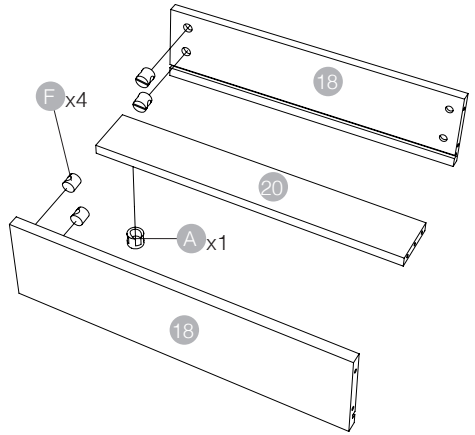
STEP 23

Insert a cam screw **B** and dowels pins **J** into the changer front panel **19**.

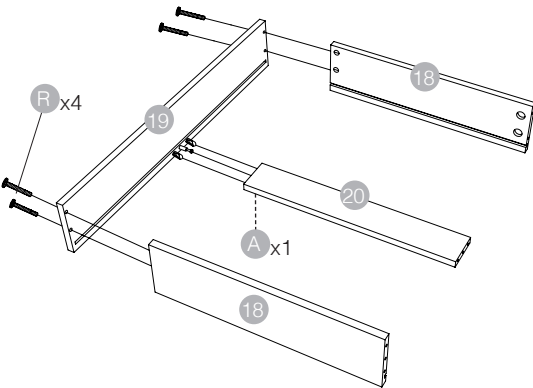


STEP 24

- Insert a cam lock **A** into the bottom changer support **20**.
- Insert slotted barrel nuts **F** into the holes on the changer sides panels **18**.



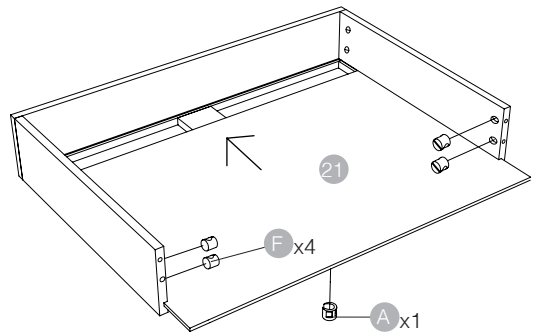
STEP 25



- Attach the changer sides panels **18** to the changer front panel **19** using white bolts **R**.
- Secure the bottom changer support **20** to the changer front panel **19** by turning the cam lock **A** clockwise 90 degrees.

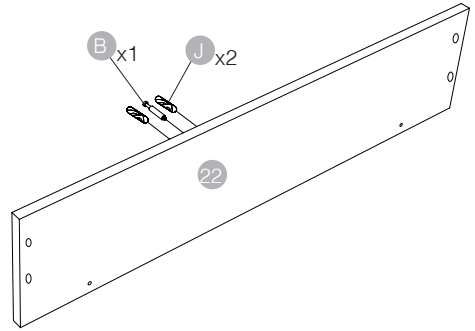
STEP 26

- Slide in the changer bottom panel **21**.
- Insert slotted barrel nuts **F** into the holes on the changer sides panels **18**.
- Insert a cam lock **A** into the bottom changer support **20**.



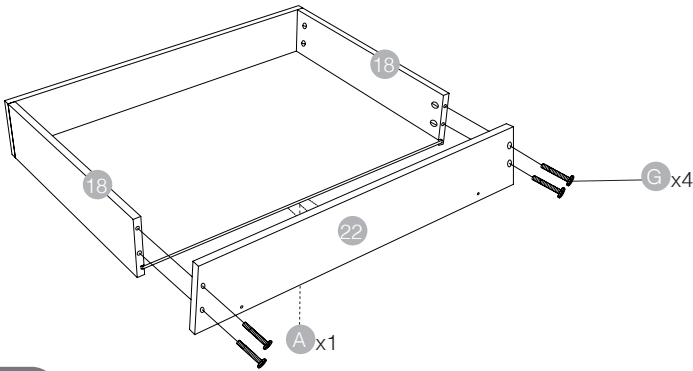
STEP 27

Insert a cam screw **B** and dowels pins **J** into the changer back panel **22**.



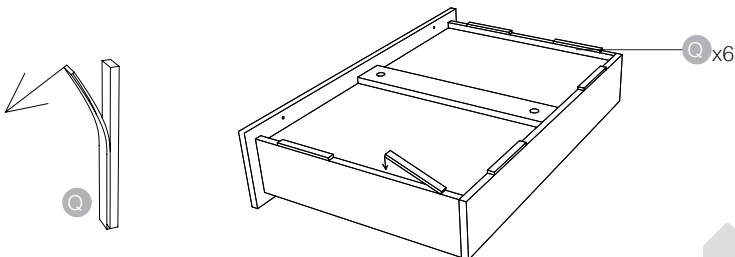
STEP 28

- Attach the changer back panel **22** to the changer side panels **18** using bolts **G**.
- Secure the bottom changer support **20** to the changer back panel **22** by turning the cam lock **A** clockwise 90 degrees.



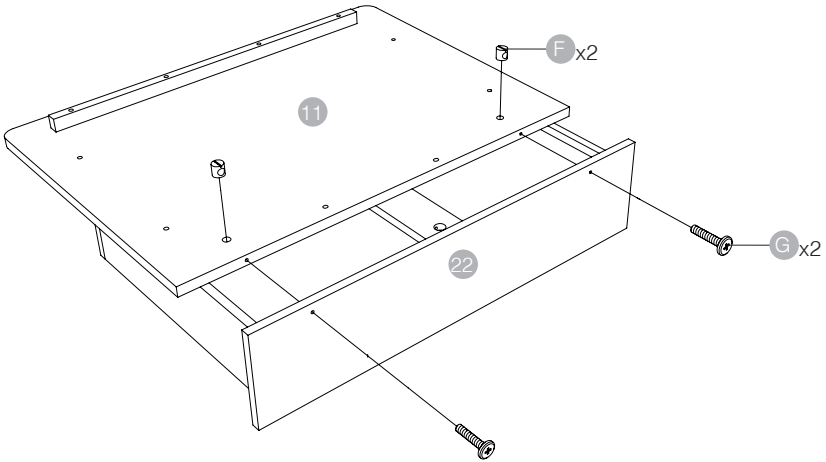
STEP 29

Remove the backing from the sticky side of the non slip tape **G** and stick the non slip tape **G** underneath the changer as shown in the image below.



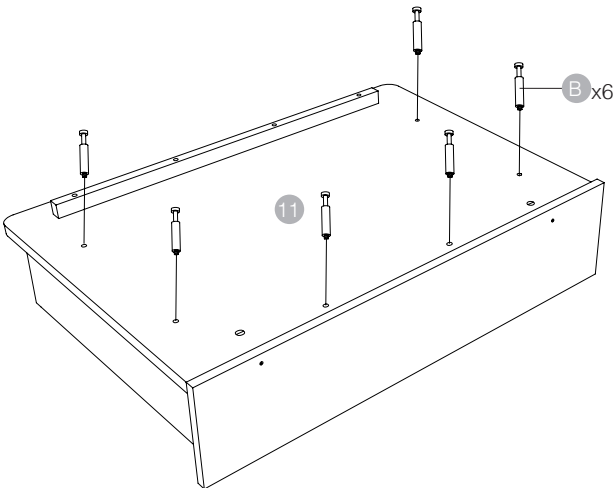
STEP 30

Attach the dresser top **11**, we assembled in step 15, to the changer back panel **22** using slotted barrels **F** and bolts **G**.



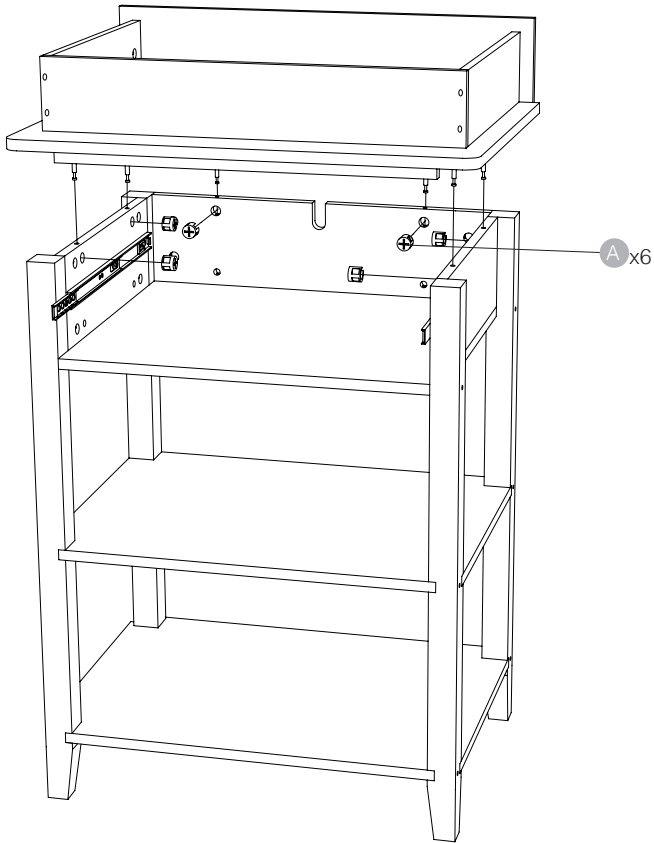
STEP 31

Insert cam screws **B** to the dresser top **11**.



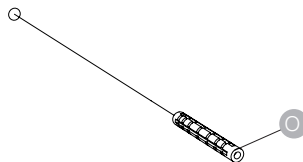
STEP 32

- Insert cam locks **A** to the dresser side panels **5** **6** and back panel **7**.
- Secure the dresser top **11** to the dresser panels by turning the cam locks **A** clockwise 90 degrees.



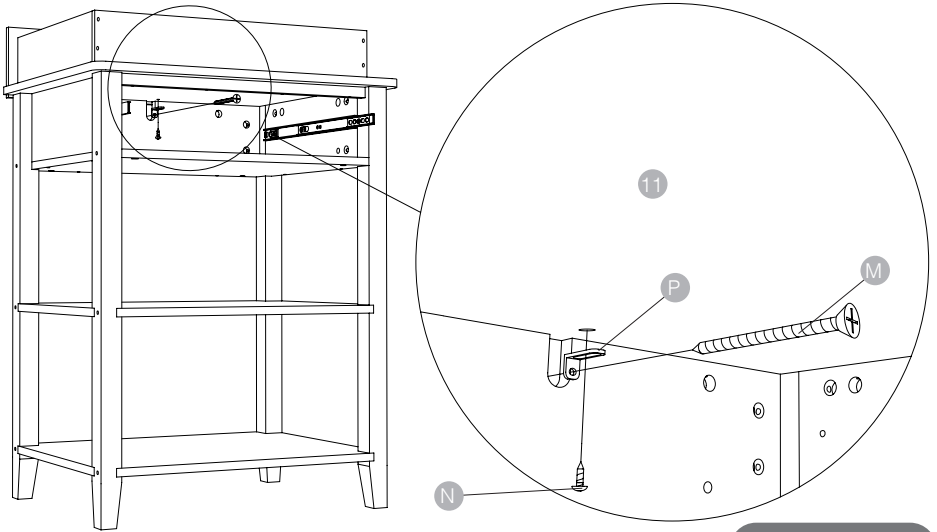
STEP 33

To secure the changing dresser to the wall, make a hole in the wall and insert the wall anchor **C**.



STEP 34

- Attach the L bracket **P** to the dresser top **11** using an **N** screw.
- Attach the changing table to the wall using **M** screw through the L bracket **P**.



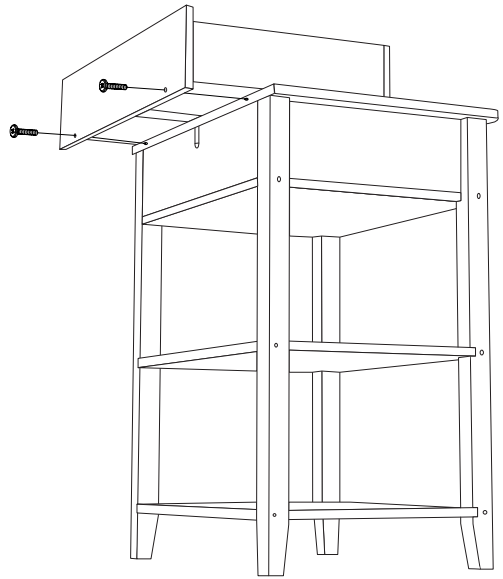
STEP 35

Finally, insert the drawer into the dresser.



Dresser Mode

To use the unit without the changer, simply loosen the bolts from the changer back panel and remove the changer.



Good Job!

You have finished assembling your changing table!

