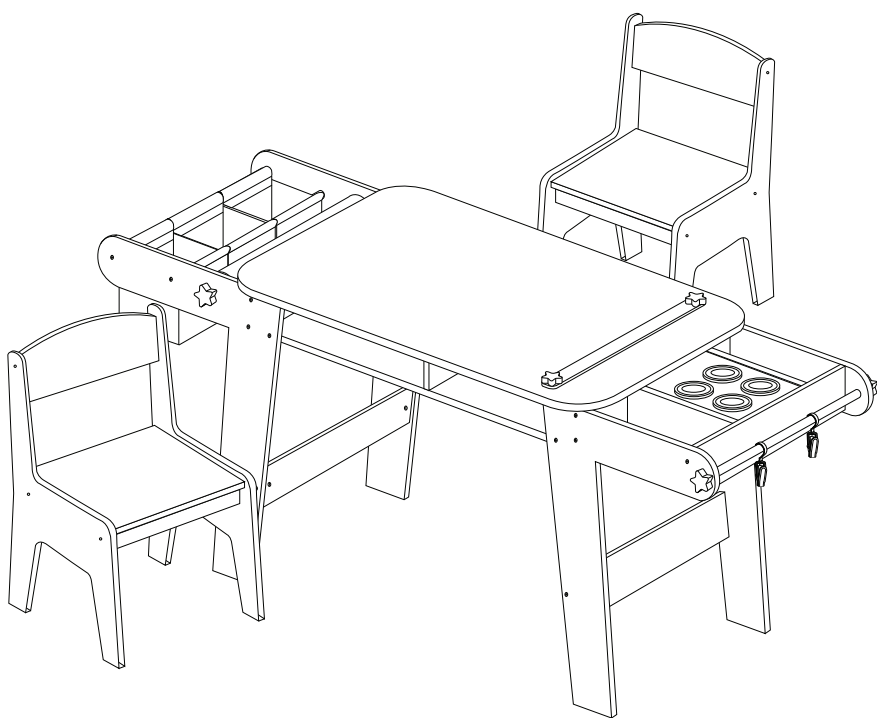




# Art Table

MANUAL



**PRECAUTION:** ALWAYS READ AND FOLLOW INSTRUCTIONS BEFORE USE. ALWAYS USE THE UNIT ACCORDING TO THE MANUFACTURERS GUIDELINES. ONLY USE THE UNIT IN A MANNER AS INTENDED BY MANUFACTURER.

# Welcome to the family!

THANK YOU FOR PURCHASING OUR ART TABLE  
AND TRUSTING MIL LIARD WITH PROVIDING  
YOURSELF AND YOUR LOVED ONES WITH THE UTMOST  
COMFORT AND SUPPORT IN YOUR HOME.  
AS A FAMILY BRAND THAT STARTED BACK IN 2009 WE'VE  
DEDICATED OURSELVES TO CAREFULLY CRAFTING LINES  
OF PRODUCTS TO ELEVATE YOUR HOME.  
QUALITY AND FAIR PRICING IS OUR PROMISE TO YOU.  
IF IT'S NOT GOOD ENOUGH FOR OUR HOME,  
IT'S NOT GOOD ENOUGH FOR YOURS.

**⚠ WARNING:**

THIS PRODUCT IS TO BE ASSEMBLED BY AN ADULT. IN ITS UNASSEMBLED STATE THIS PRODUCT CONTAINS POTENTIALLY HAZARDOUS SHARP POINTS, SHARP EDGES, AND SMALL PARTS. KEEP OUT OF REACH OF CHILDREN.

DID YOUR UNIT COME WITH ANY DAMAGED OR MISSING PARTS?

# We're here to help.

OUR TEAM OF DEDICATED CUSTOMER CARE PROFESSIONALS ARE READY TO HELP YOU WITH ANY QUESTIONS OR CONCERNS YOU MAY HAVE.

FOR IMMEDIATE ATTENTION, CALL MONDAY-THURSDAY 9:00AM-5:00PM & FRIDAY 9:00AM-1:00PM.

OR YOU CAN LEAVE US A VOICE MESSAGE OR EMAIL, AND WE GUARANTEE YOU WILL HEAR BACK FROM US WITHIN ONE BUSINESS DAY.

PHONE: 866-686-4891

EMAIL: [INFO@MILLIARDBRANDS.COM](mailto:INFO@MILLIARDBRANDS.COM)

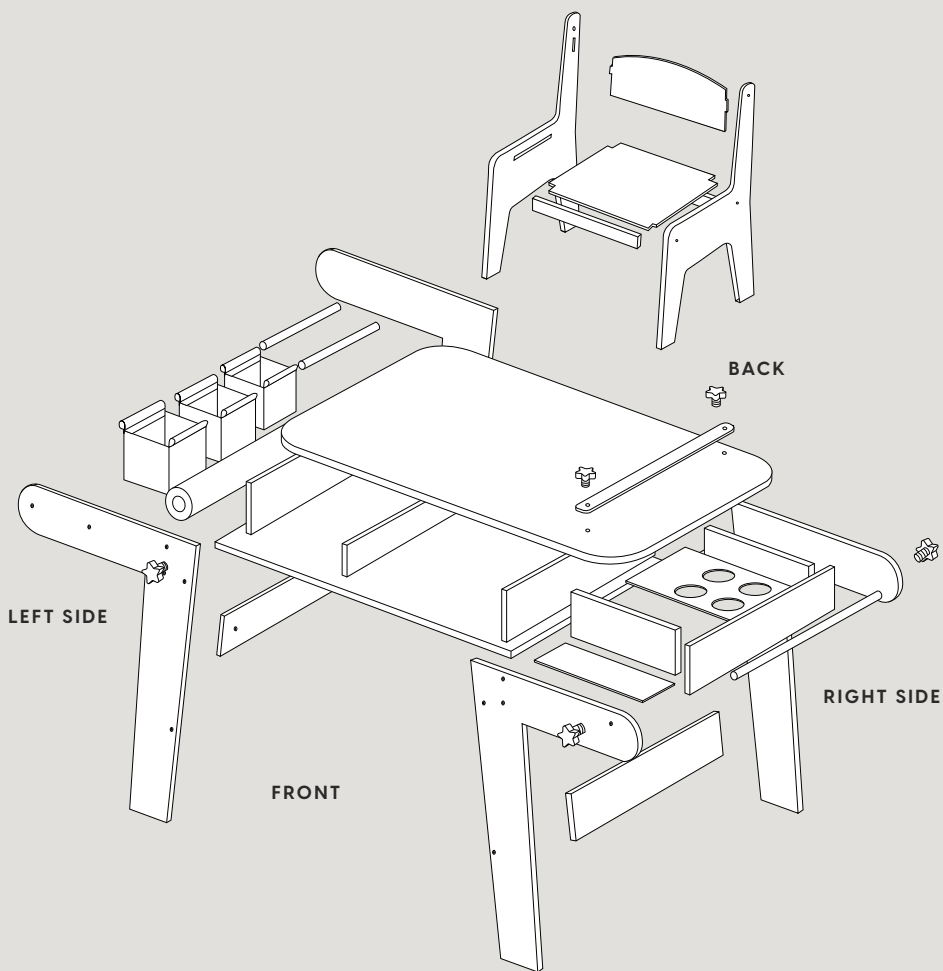


**MAINTENANCE:**

TO KEEP THE UNIT CLEAN, PERIODICALLY DUST AND WIPE IT WITH A DAMP CLOTH. FOR MORE EXTENSIVE CLEANING, USE A MILD CLEANSER AND A SOFT CLOTH.

DISCLAIMER: MILLIARD™ ASSUMES NO LIABILITY OR RESPONSIBILITY FOR ACCIDENTS OR INJURIES TO PERSONS OR PROPERTIES ASSOCIATED WITH THE IMPROPER USE OF THIS PRODUCT, NOR DOES MILLIARD CONDONE PROHIBITED OR UNLAWFUL USES. THIS PRODUCT MUST BE USED AS DIRECTED AND ALL SAFETY PRECAUTIONS MUST BE FOLLOWED AT ALL TIMES IN ACCORDANCE TO FEDERAL AND LOCAL LAWS OR REGULATIONS. BUYER ASSUMES ALL RISKS AND LIABILITY FROM MISUSE OF THIS PRODUCT AND MILLIARD SHALL NOT BE HELD LIABLE BEYOND THE INITIAL PURCHASE COST OF THE PRODUCT FOR ANY DAMAGES ARISING FROM ITS MISUSE.

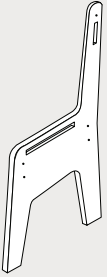
# Exploded View



# Parts

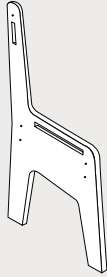
1 x2

LEFT CHAIR SIDE



2 x2

RIGHT CHAIR SIDE



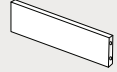
3 x2

CHAIR BACK



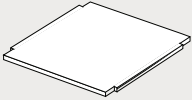
4 x4

SEAT SUPPORT



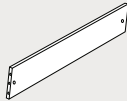
5 x2

CHAIR SEAT



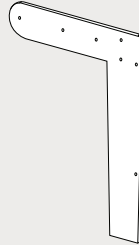
6 x2

LEG SUPPORT



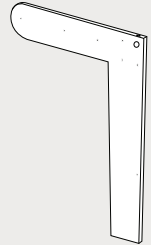
7 x1

FRONT LEFT LEG



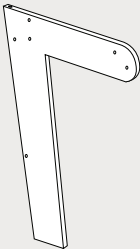
8 x1

BACK LEFT LEG



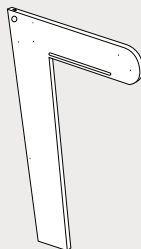
9 x1

FRONT RIGHT LEG



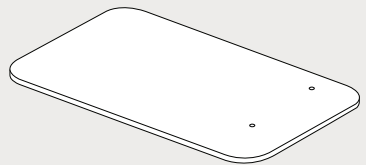
10 x1

BACK RIGHT LEG



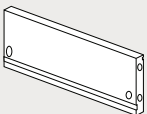
11 x1

TABLETOP



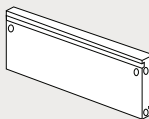
12 x1

LEFT CUP  
SUPPORT



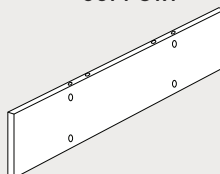
13 x1

RIGHT CUP  
SUPPORT



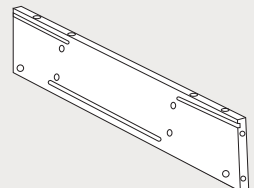
14 x1

CENTER TABLE  
SUPPORT



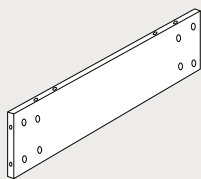
15 x1

RIGHT TABLE  
SUPPORT



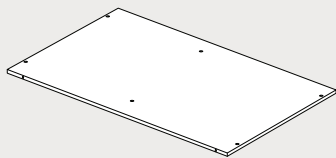
16 X1

LEFT TABLE SUPPORT



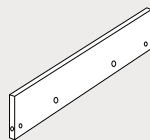
17 X1

TABLE BOTTOM



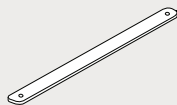
18 X1

CUP FRONT PANEL



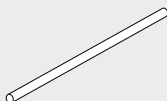
19 X1

PAPER HOLDER



20 X3

ROD



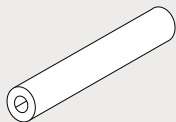
21 X1

PAPER ROD



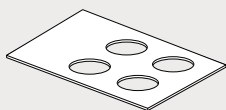
22 X1

PAPER ROLL



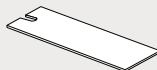
23 X1

CUP HOLDER



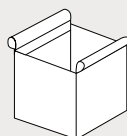
24 X2

STORAGE BOTTOM



25 X3

BASKET



# Hardware



A X40



A1 X4



B X40



C X38



D X6



E X10



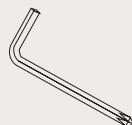
F X10



G X2



H X4



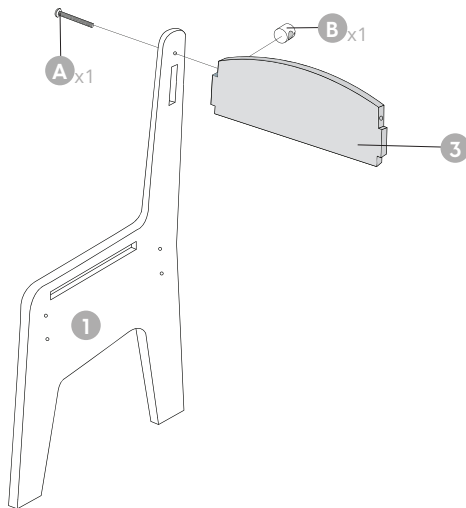
I X1

# Assembly Instructions

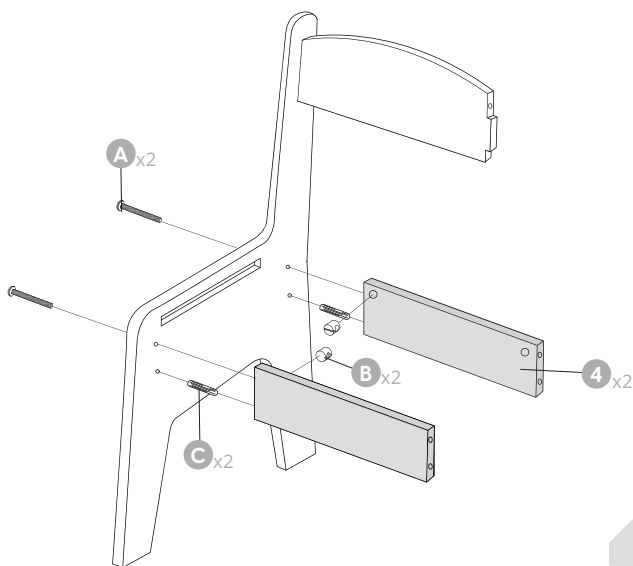
## STEP 1



ATTACH THE CHAIR BACK (3) TO THE LEFT CHAIR SIDE (1) USING A BOLT (A) AND A NUT (B).



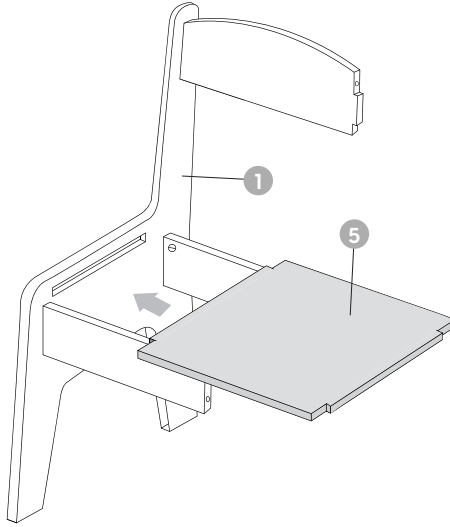
CONNECT THE SEAT SUPPORTS (4) TO THE LEFT CHAIR SIDE (1) USING DOWEL PINS (C), BOLTS (A) AND NUTS (B).



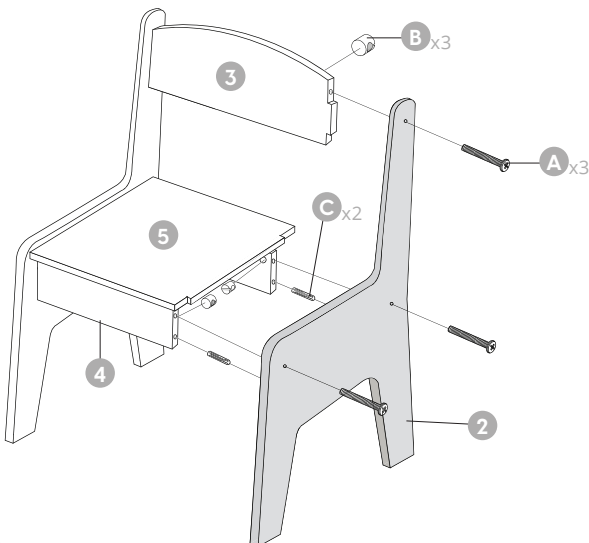
## STEP 2



SLIDE IN THE CHAIR SEAT (5) TO THE SLOT IN THE LEFT CHAIR SIDE (1).



ATTACH THE RIGHT CHAIR SIDE (2) TO THE CHAIR BACK SUPPORT (3), SEAT SUPPORTS (4) AND CHAIR SEAT (5) USING BOLTS (A), NUTS (B) AND DOWEL PINS (C).





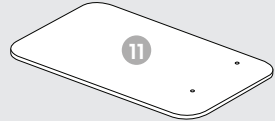
## STEP 3

E  
X10

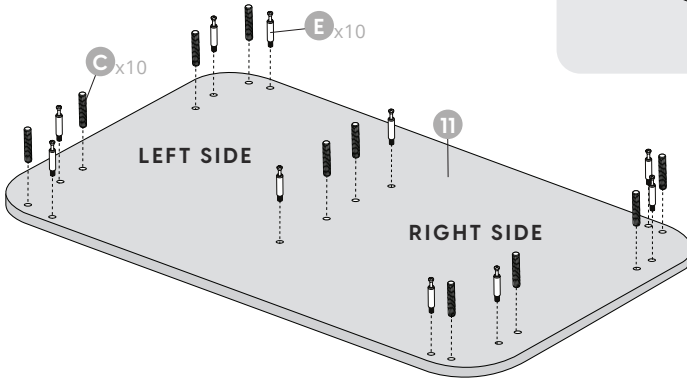
C  
X10

ATTACH CAM SCREWS (E) AND DOWEL PINS (C) ON THE TABLETOP (11).

LEFT SIDE



RIGHT SIDE



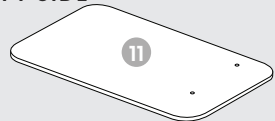
## STEP 4

F  
X2

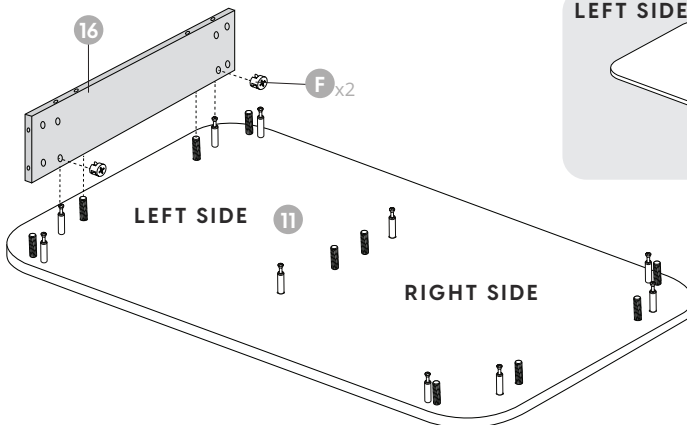


ATTACH THE LEFT TABLE SUPPORT (16) TO THE LEFT SIDE OF THE TABLETOP (11) AND SECURE IT USING CAM LOCKS (F).

LEFT SIDE



RIGHT SIDE

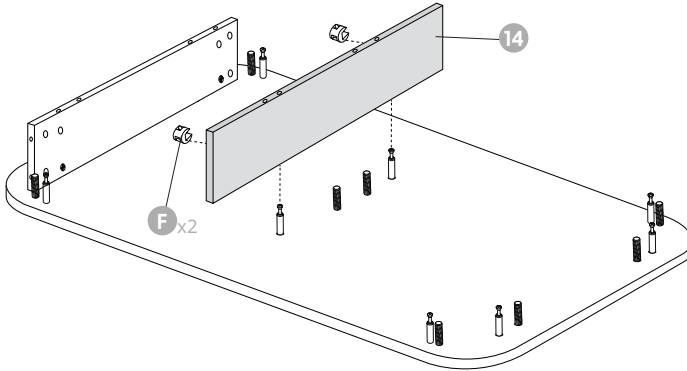


## STEP 5

F  
X2



ATTACH THE CENTER TABLE SUPPORT (14) TO THE TABLETOP (11) AND SECURE IT USING CAM LOCKS (F).

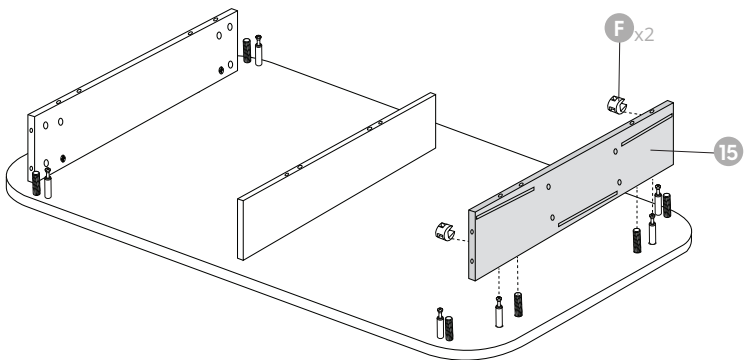


## STEP 6

F  
X2



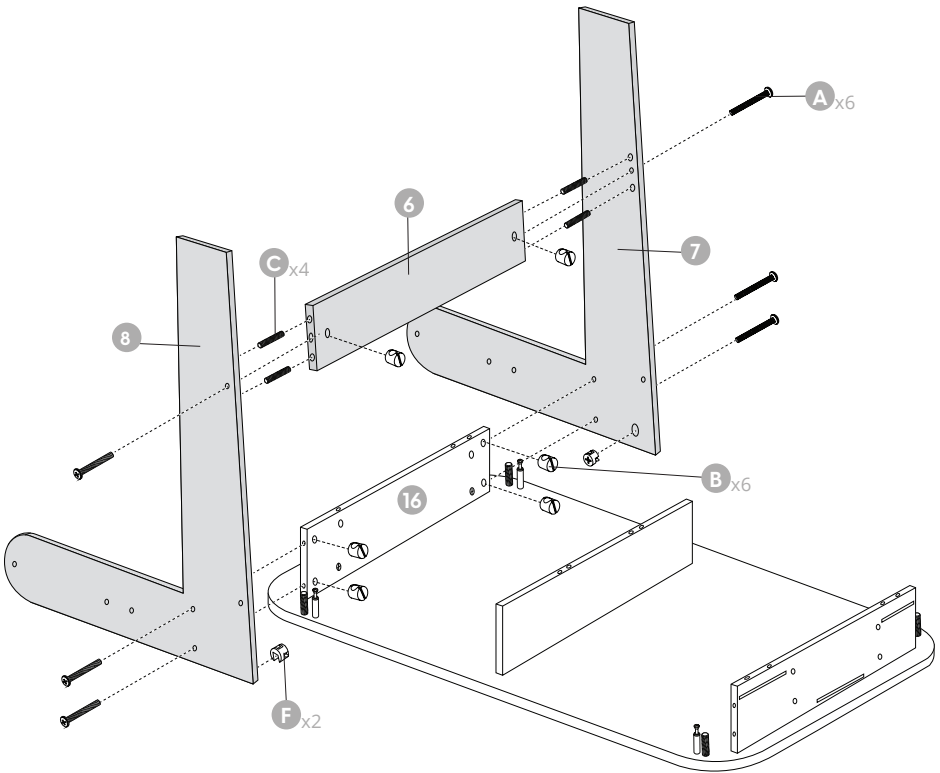
ATTACH THE RIGHT TABLE SUPPORT (15) TO THE TABLETOP (11) AND SECURE IT USING CAM LOCKS (F).



## STEP 7



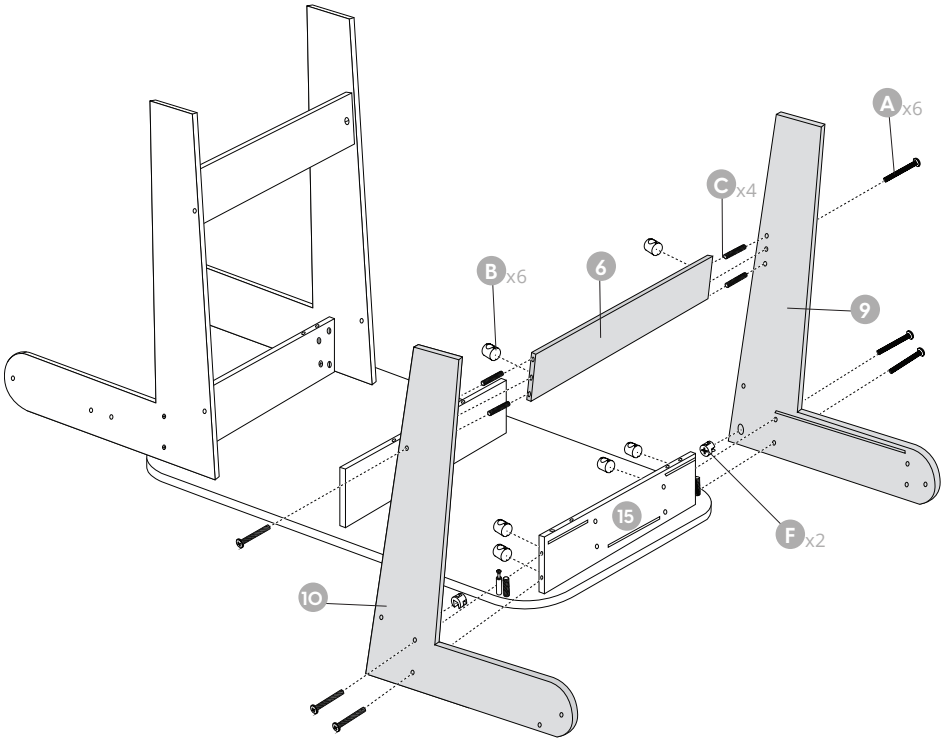
- INSERT NUTS (B) INTO THE LEFT TABLE SUPPORT (16) AND LEG SUPPORT (6).
- INSERT CAM LOCKS (F) INTO THE LEGS (7)(8).
- INSERT DOWEL PINS (C) INTO THE LEG SUPPORT (6).
- USING LONG BOLTS (A), ATTACH THE FRONT LEFT LEG (7) AND BACK LEFT LEG (8) TO THE LEFT TABLE SUPPORT (16) AND LEG SUPPORT (6).
- SECURE THE LEGS (7)(8) TO THE TABLE TOP BY TURNING THE CAM LOCKS (F) 90 DEGREES.



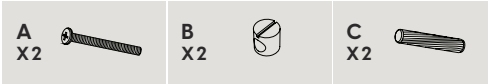
## STEP 8



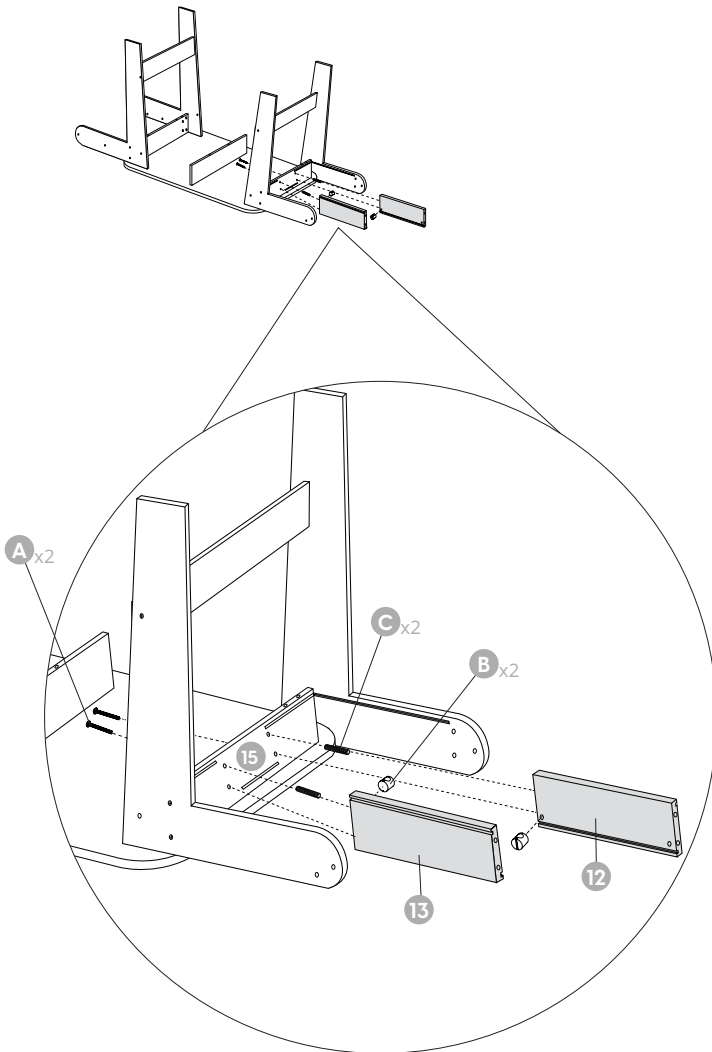
- INSERT NUTS (B) INTO THE RIGHT TABLE SUPPORT (15) AND LEG SUPPORT (6).
- INSERT CAM LOCKS (F) INTO THE LEGS (9)(10).
- INSERT DOWEL PINS (C) INTO THE LEG SUPPORT (6).
- USING LONG BOLTS (A), ATTACH THE FRONT RIGHT LEG (9) AND BACK RIGHT LEG (10) TO THE RIGHT TABLE SUPPORT (15) AND LEG SUPPORT (6).
- SECURE THE LEGS (7)(8) TO THE TABLE TOP BY TURNING THE CAM LOCKS (F) 90 DEGREES.



## STEP 9

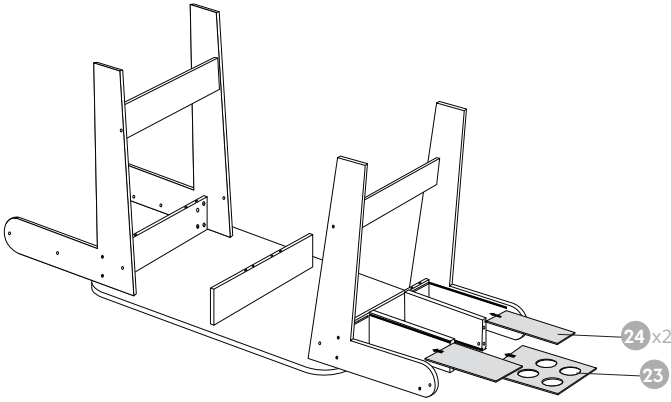


- INSERT NUTS (B) INTO THE LEFT CUP SUPPORT (12) AND RIGHT CUP SIDE SUPPORT (13).
- INSERT DOWEL PINS (C) INTO THE LEFT CUP SUPPORT (12) AND RIGHT CUP SUPPORT (13).
- USING LONG BOLTS (A), ATTACH THE LEFT CUP SUPPORT (12) AND THE RIGHT CUP SUPPORT (13) TO THE RIGHT TABLE SUPPORT (15).



## STEP 10

- SLIDE THE STORAGE SUPPORTS (24) BETWEEN THE FRONT AND BACK LEFT LEGS (9)(10) AND CUP SUPPORTS (12)(13).
- SLIDE THE CUP HOLDER (23) BETWEEN THE CUP SUPPORTS (12)(13).



## STEP 11

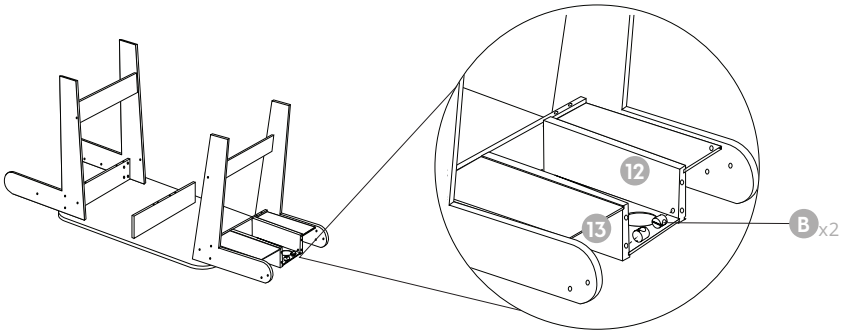
B  
X4



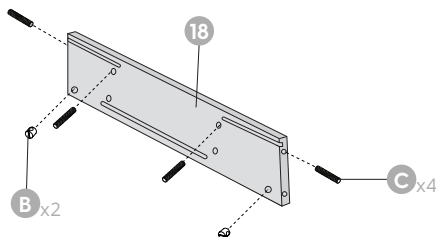
C  
X4



- INSERT NUTS (B) INTO THE CUP SUPPORTS (12)(13).



- INSERT NUTS (B) AND DOWEL PINS INTO THE CUP FRONT PANEL (18).

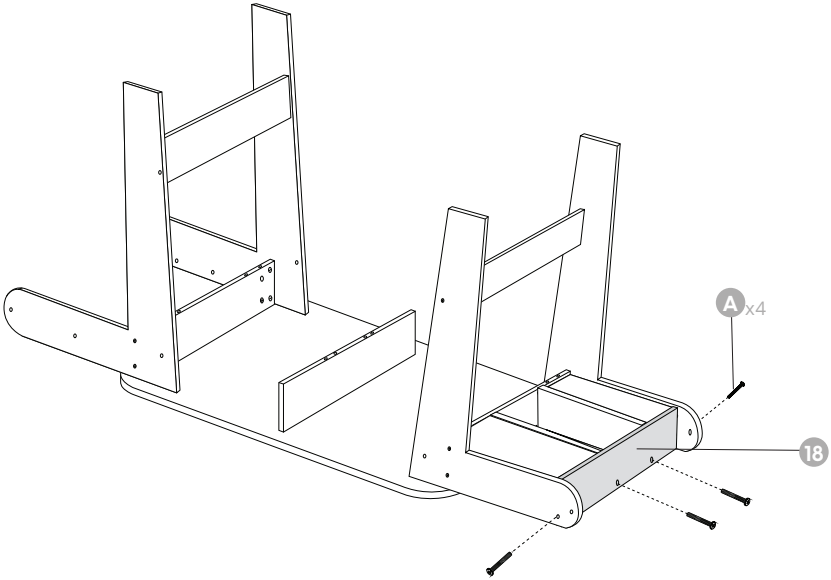


## STEP 12

A  
X4



USING LONG BOLTS (A), ATTACH THE CUP FRONT PANEL (18) TO THE CUP SUPPORTS (12) (13) AND THE FRONT AND BACK LEFT LEGS (9)(10).

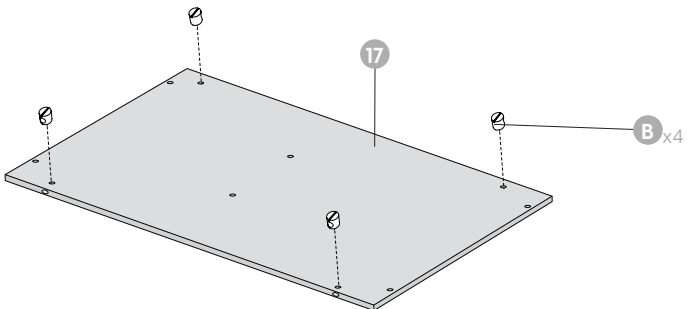


## STEP 13

B  
X4



INSERT NUTS INTO THE TABLE BOTTOM (17).



## STEP 14

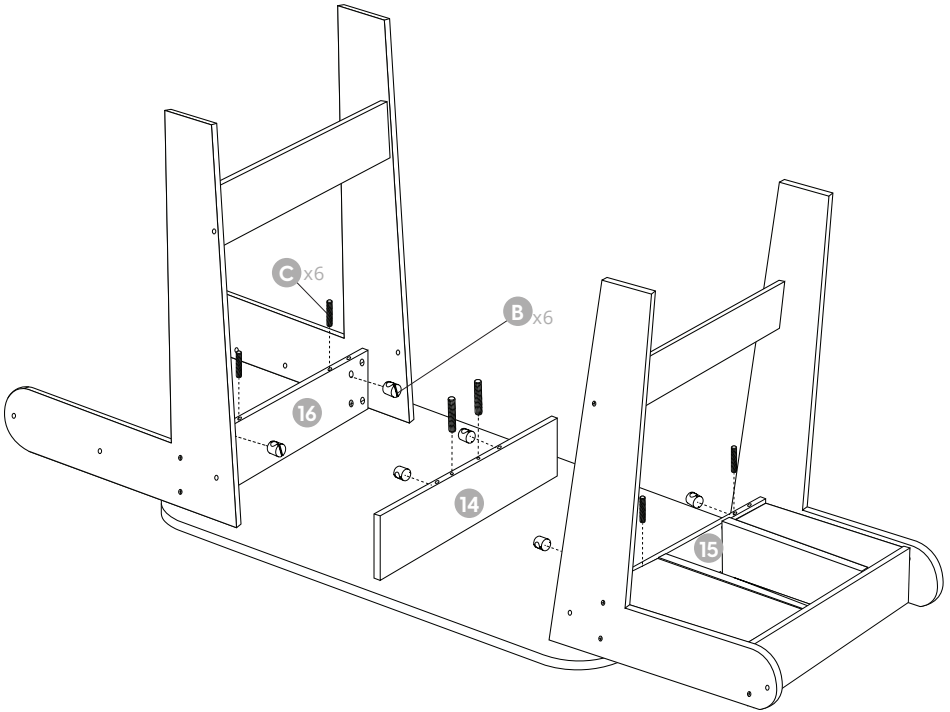
**B**  
X6



**C**  
X6



- INSERT NUTS (B) INTO THE RIGHT, CENTER AND LEFT TABLE SUPPORTS (14)(15)(16).
- INSERT DOWEL PINS (C) INTO THE CENTER, RIGHT AND LEFT TABLE SUPPORTS (14)(15)(16).



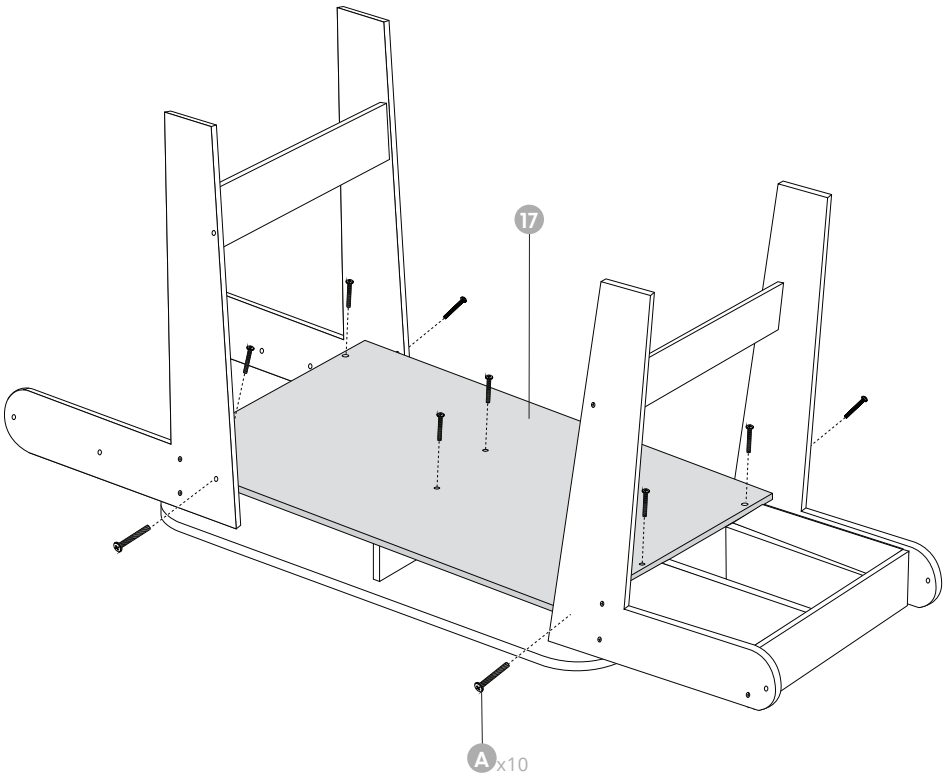


## STEP 15

A  
X10



USING LONG BOLTS (A), ATTACH THE TABLE BOTTOM (17) TO THE FRONT AND BACK LEGS (7)(8)(9)(10), AND RIGHT, LEFT AND CENTER TABLE SUPPORTS (14)(15)(16).

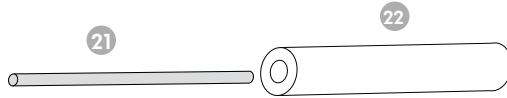


## STEP 16

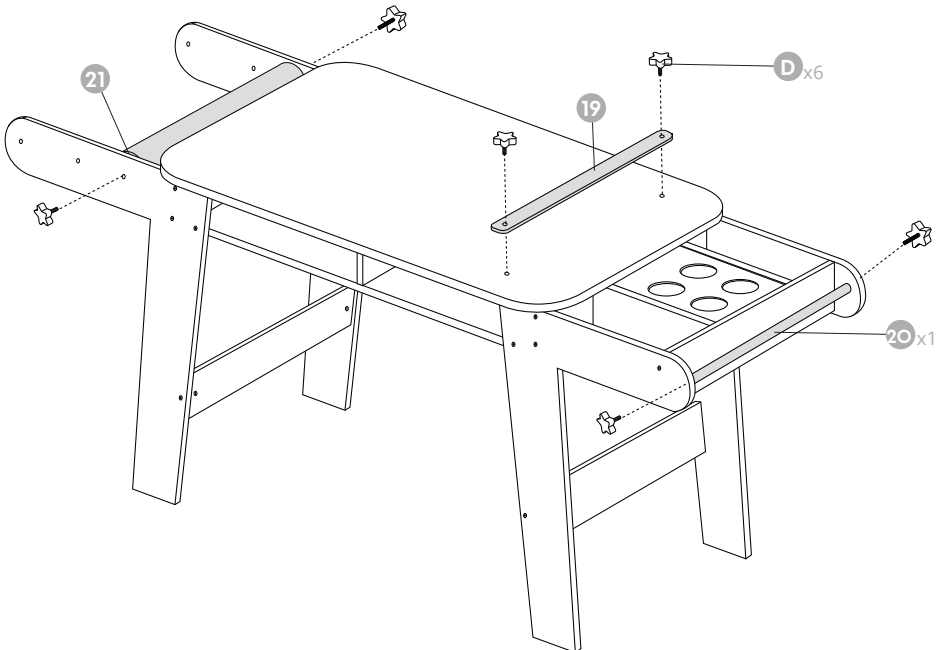
D  
X6



- INSERT PAPER ROD (21) INTO THE PAPER ROLL (22).



- ATTACH THE PAPER ROD (21) TO THE BACK AND FRONT LEFT LEGS (7)(8) USING STAR KNOBS (D).
- ATTACH THE PAPER HOLDER (19) TO THE TABLETOP (11) USING STAR KNOBS (D).
- ATTACH ONE OF THE RODS (20) TO THE BACK AND FRONT RIGHT LEGS (9)(10) USING STAR KNOBS (D).



## STEP 17

A1  
X4



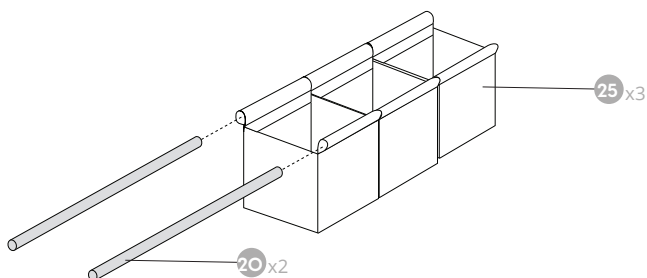
G  
X2



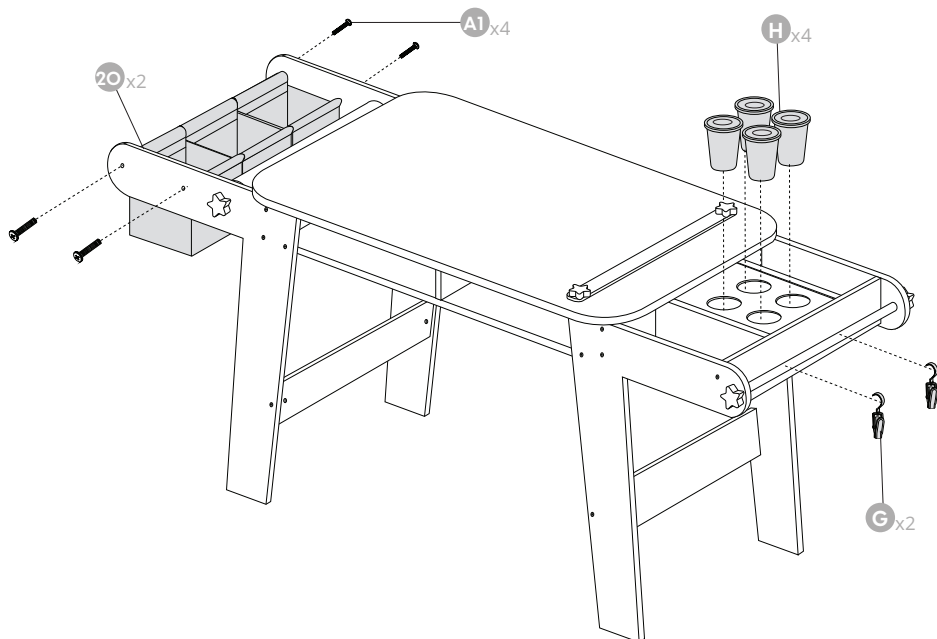
H  
X4



- INSERT RODS (20) INTO THE BASKETS (25).



- ATTACH THE RODS (22) TO THE BACK AND FRONT LEFT LEGS (7)(8) USING SHORT BOLTS (A1).
- PLACE THE CUPS (H) TO THE CUP HOLDER (23).
- PLACE THE HOOKS (G) ON THE FRONT ROD (20).



# Thank you again!

YOU'VE OFFICIALLY COMPLETED ASSEMBLY.

THANK YOU AGAIN FOR YOUR PURCHASE.

WE HOPE YOU'RE LOVING IT!



PHONE: 866-686-4891 EMAIL: [INFO@MILLIARDBRANDS.COM](mailto:INFO@MILLIARDBRANDS.COM)