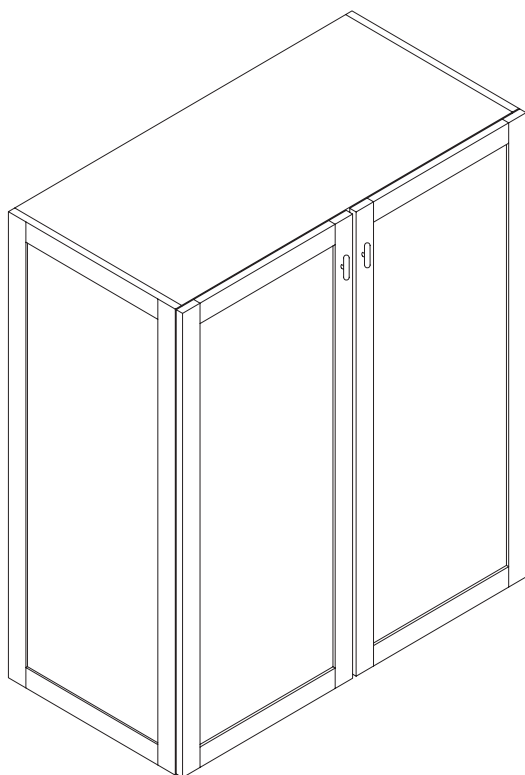




Folding Bed Cabinet

MANUAL



PRECAUTION: ALWAYS READ AND FOLLOW INSTRUCTIONS BEFORE USE. ALWAYS USE THE UNIT ACCORDING TO THE MANUFACTURERS GUIDELINES. ONLY USE THE UNIT IN A MANNER AS INTENDED BY MANUFACTURER.

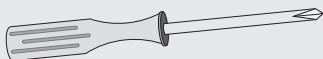
Welcome to the family!

THANK YOU FOR PURCHASING OUR FOLDING BED CABINET
AND TRUSTING MIL LIARD WITH PROVIDING
YOURSELF AND YOUR LOVED ONES WITH THE UTMOST
COMFORT AND SUPPORT IN YOUR HOME.

AS A FAMILY BRAND THAT STARTED BACK IN 2009 WE'VE
DEDICATED OURSELVES TO CAREFULLY CRAFTING LINES
OF PRODUCTS TO ELEVATE YOUR HOME. QUALITY
AND FAIR PRICING IS OUR PROMISE TO YOU.

IF IT'S NOT GOOD ENOUGH FOR OUR HOME,
IT'S NOT GOOD ENOUGH FOR YOURS.

⚠ WARNING: THIS PRODUCT IS TO BE ASSEMBLED BY AN ADULT. IN ITS UNASSEMBLED STATE THIS PRODUCT CONTAINS POTENTIALLY HAZARDOUS SHARP POINTS, SHARP EDGES, AND SMALL PARTS. KEEP OUT OF REACH OF CHILDREN.



PHILLIPS SCREW DRIVER REQUIRED. FOR QUICKER ASSEMBLY, WE RECOMMEND THE USE OF POWER DRILL ON A LOW SPEED SETTING.

DID YOUR UNIT COME WITH ANY DAMAGED OR MISSING PARTS?

We're here to help.

OUR TEAM OF DEDICATED CUSTOMER CARE PROFESSIONALS ARE READY TO HELP YOU WITH ANY QUESTIONS OR CONCERNS YOU MAY HAVE.

FOR IMMEDIATE ATTENTION, CALL MONDAY-THURSDAY 9:00AM-5:00PM & FRIDAY 9:00AM-1:00PM.

OR YOU CAN LEAVE US A VOICE MESSAGE OR EMAIL, AND WE GUARANTEE YOU WILL HEAR BACK FROM US WITHIN ONE BUSINESS DAY.

PHONE: 866-686-4891

EMAIL: INFO@MILLIARDBRANDS.COM



MAINTENANCE:

TO KEEP THE UNIT CLEAN, PERIODICALLY DUST AND WIPE IT WITH A DAMP CLOTH. FOR MORE EXTENSIVE CLEANING, USE A MILD CLEANSER AND A SOFT CLOTH.

DISCLAIMER: MILLIARD™ ASSUMES NO LIABILITY OR RESPONSIBILITY FOR ACCIDENTS OR INJURIES TO PERSONS OR PROPERTIES ASSOCIATED WITH THE IMPROPER USE OF THIS PRODUCT, NOR DOES MILLIARD CONDONE PROHIBITED OR UNLAWFUL USES. THIS PRODUCT MUST BE USED AS DIRECTED AND ALL SAFETY PRECAUTIONS MUST BE FOLLOWED AT ALL TIMES IN ACCORDANCE TO FEDERAL AND LOCAL LAWS OR REGULATIONS. BUYER ASSUMES ALL RISKS AND LIABILITY FROM MISUSE OF THIS PRODUCT AND MILLIARD SHALL NOT BE HELD LIABLE BEYOND THE INITIAL PURCHASE COST OF THE PRODUCT FOR ANY DAMAGES ARISING FROM ITS MISUSE.

Parts

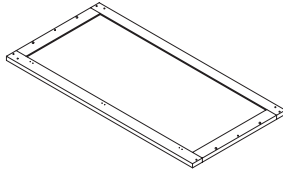
1

TOP PANEL X1



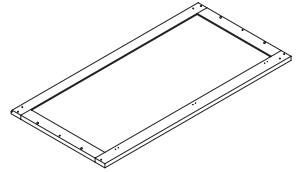
2

LEFT SIDE PANEL X1



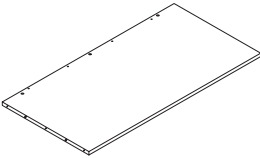
3

RIGHT SIDE PANEL X1



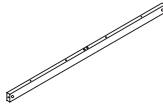
4

BOTTOM PANEL X1



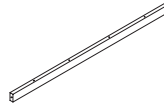
5

BACK RAIL X2



6

FRONT RAIL X1



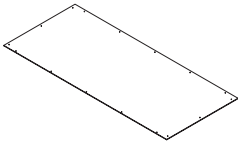
7

BACK SUPPORT X1



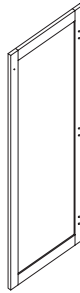
8

BACK PANEL X2



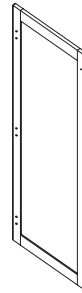
9

LEFT DOOR X1



10

RIGHT DOOR X1



Hardware Parts

A

CAM SCREW
X18



B

CAM LOCK
X18



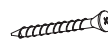
C

DOWEL PIN
X21



D

LONG SCREW
X12



E

PAN HEAD
SCREW X32



F

HINGE
X6



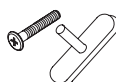
G

SMALL SCREW
X36



H

HANDLE
X2



I

CAM LOCK
COVER X4



J

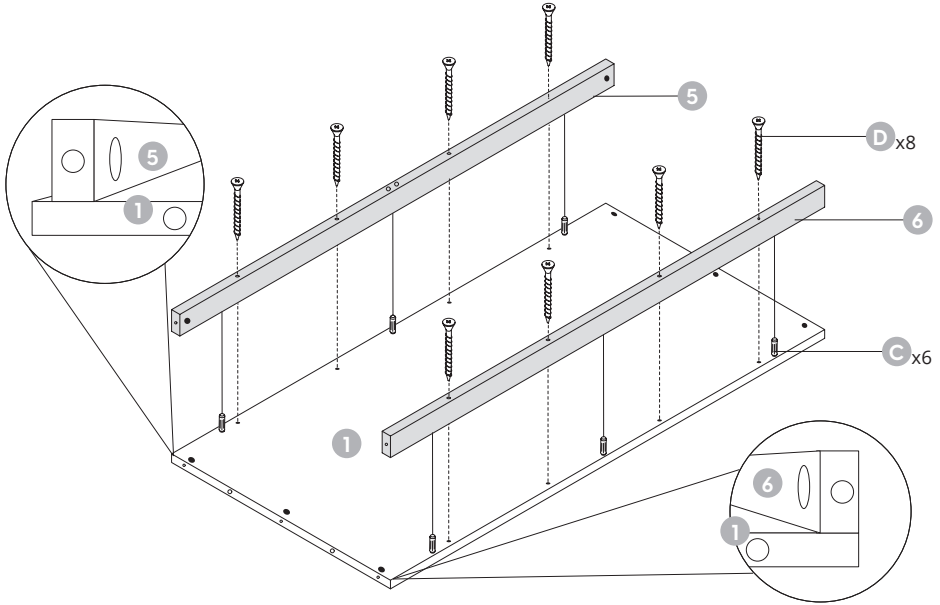
HEX KEY X1



Assembly Instructions

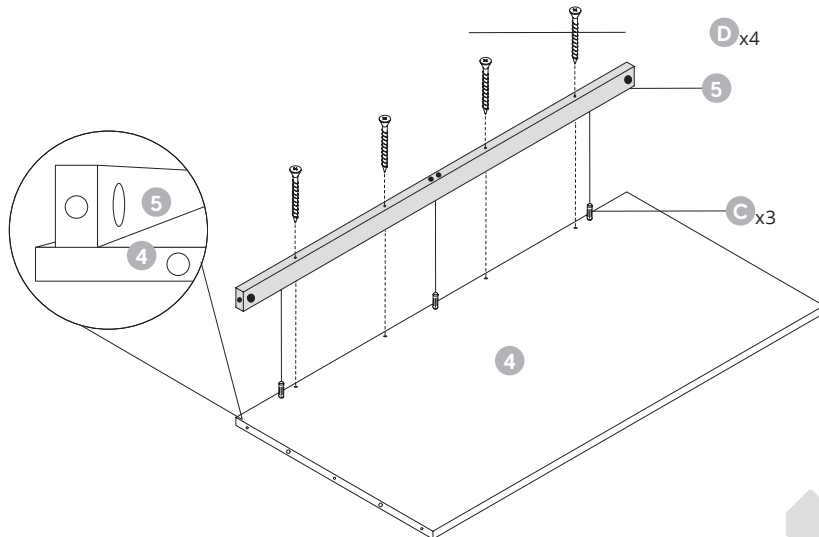
STEP 1

ATTACH A BACK RAIL (5) AND FRONT RAIL (6) TO THE TOP PANEL (1) USING DOWEL PINS (C) AND LONG SCREWS (D).



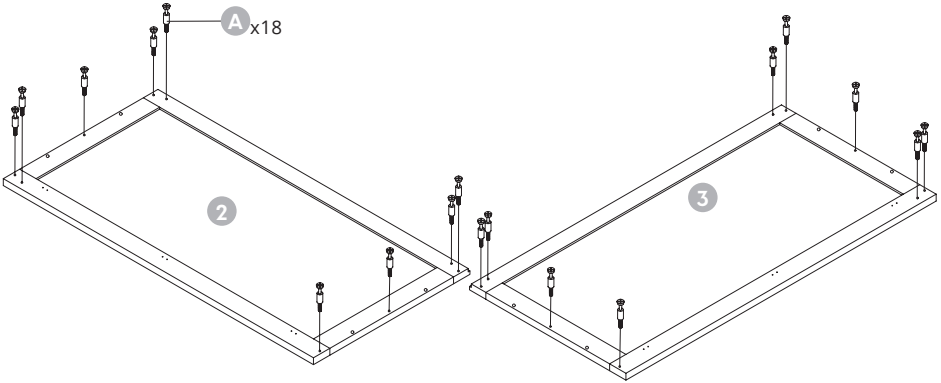
STEP 2

SECURE THE BACK RAIL (5) TO THE BOTTOM PANEL (4) USING DOWEL PINS (C) AND LONG SCREWS (D).



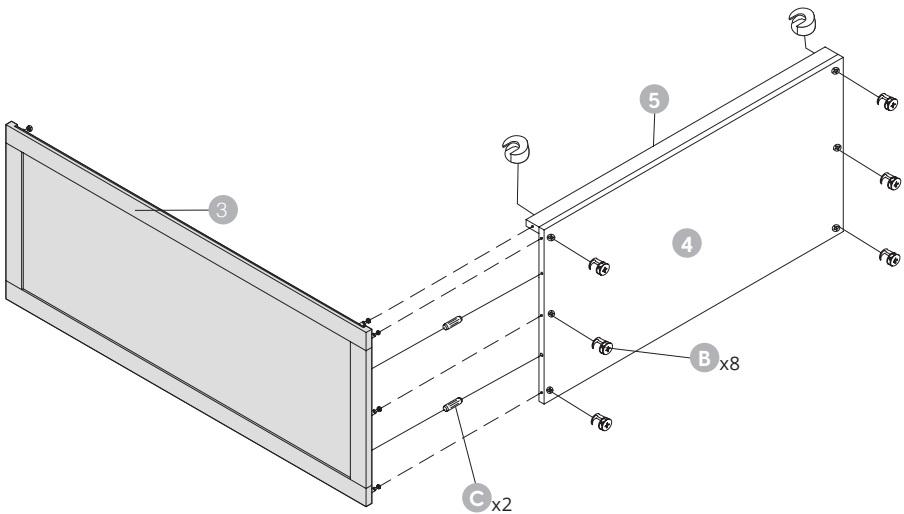
STEP 3

ATTACH CAM SCREWS (A) TO THE LEFT SIDE PANEL (2) AND THE RIGHT SIDE PANEL (3).



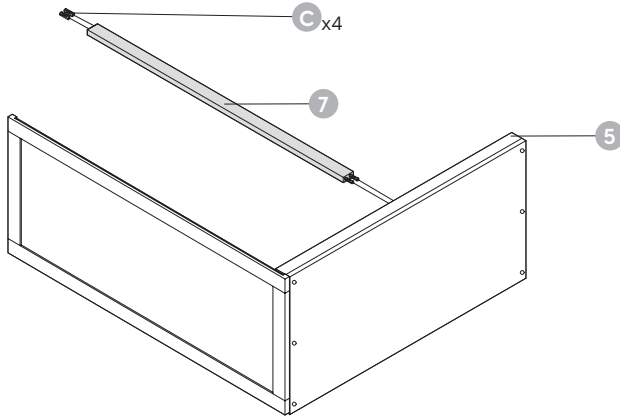
STEP 4

- INSERT CAM LOCKS (B) INTO THE BOTTOM PANEL (4) AND BACK RAIL (5).
- INSERT DOWEL PINS (C) INTO THE AND BOTTOM PANEL (4).
- CONNECT THE RIGHT SIDE PANEL (3) TO THE BOTTOM PANEL (4) AND BACK RAIL (5) BY TURNING THE CAM LOCKS (B) 90 DEGREES CLOCKWISE.



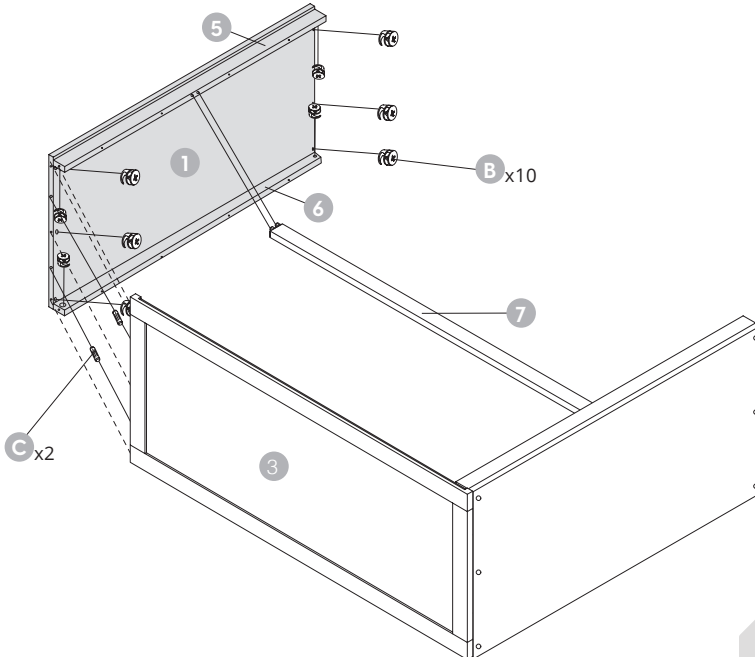
STEP 5

INSERT DOWEL PINS (C) INTO THE BACK SUPPORT (7) AND ATTACH IT TO THE BACK RAIL (5).



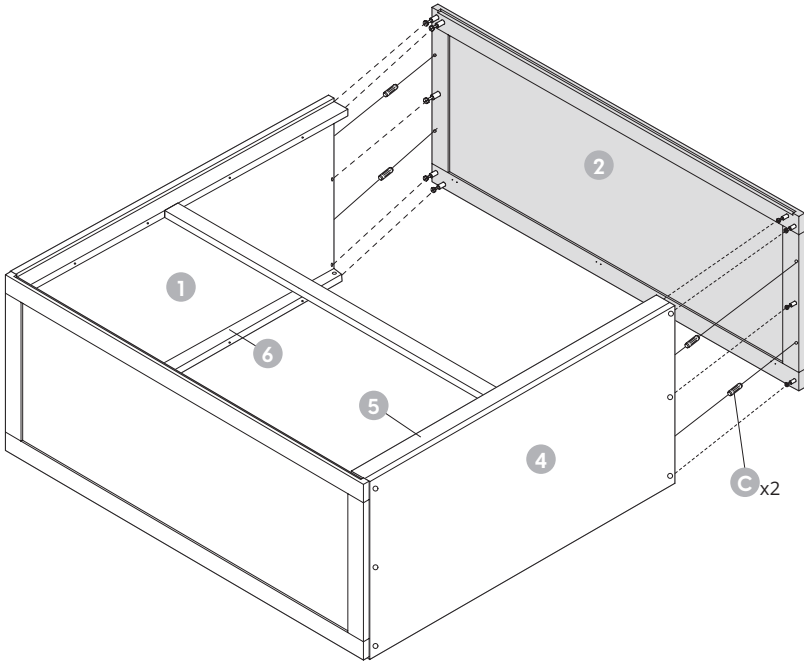
STEP 6

- INSERT CAM LOCKS (B) INTO THE TOP PANEL (1), BACK RAIL (5) AND FRONT RAIL (6).
- INSERT DOWEL PINS (C) INTO THE RIGHT SIDE PANEL (3).
- CONNECT THE BACK SUPPORT (7) TO THE BACK RAIL (5).
- SECURE THE RIGHT SIDE PANEL (3) TO THE TOP PANEL (1), BACK RAIL (5) AND FRONT RAIL (6) BY TURNING THE CAM LOCKS (B) 90 DEGREES CLOCKWISE.



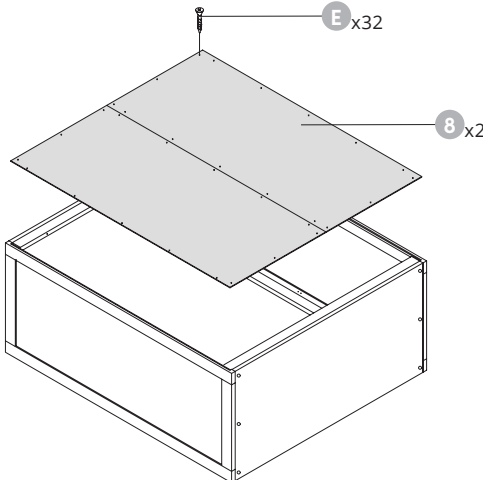
STEP 7

- INSERT DOWEL PINS (C) INTO THE LEFT SIDE PANEL (2).
- SECURE THE LEFT SIDE PANEL (2) TO THE BOTTOM PANEL (4), TOP PANEL (1), FRONT RAIL (6) AND BACK RAILS (5) BY TURNING THE CAM LOCKS (B) 90 DEGREES CLOCKWISE.



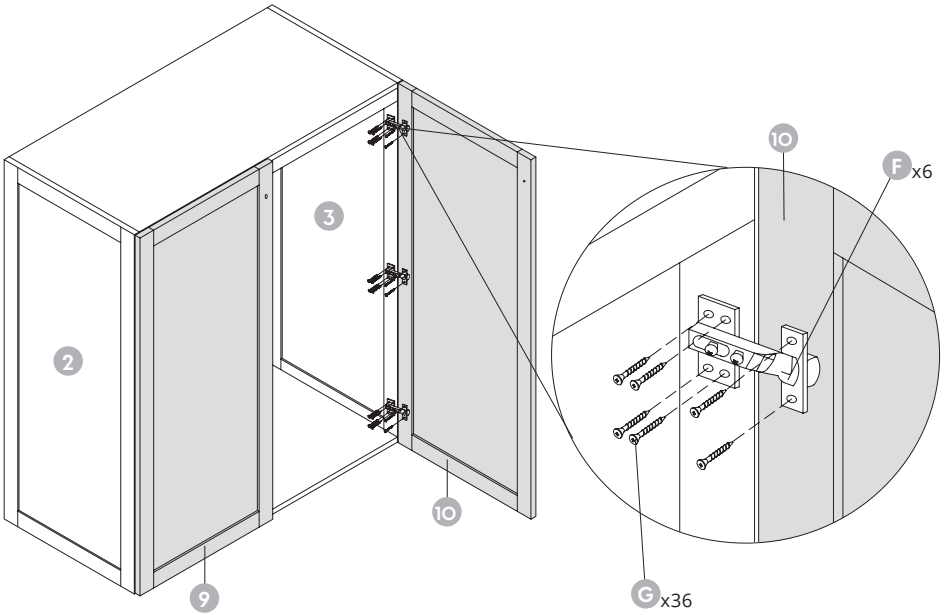
STEP 8

ATTACH THE BACK PANELS (8) TO THE SIDE, TOP AND BOTTOM PANELS (1)(2)(3)(4) AND BACK SUPPORT (7) USING PAN HEAD SCREWS (E).



STEP 9

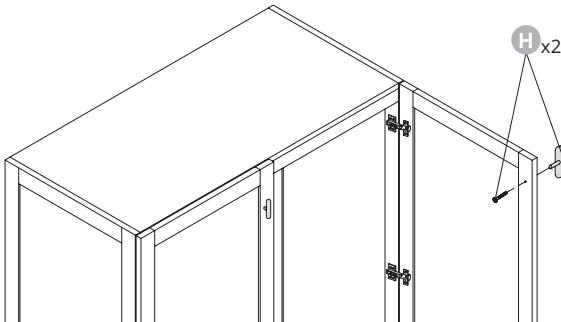
- ATTACH THE RIGHT DOOR (10) TO THE RIGHT SIDE PANEL (3) USING HINGES (F) AND SMALL SCREWS (G).
- ATTACH THE LEFT DOOR (9) TO THE LEFT SIDE PANEL (2) USING HINGES (F) AND SMALL SCREWS (G).



SEE NEXT PAGE FOR ALIGNING THE DOORS

STEP 10

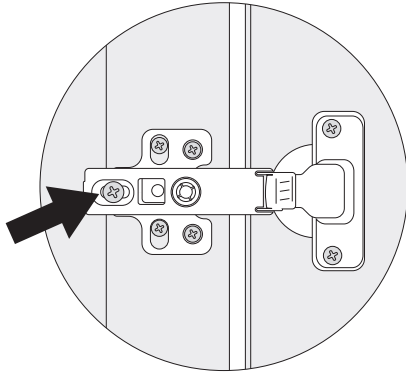
- FINALLY, SECURE HANDLES (H) TO THE RIGHT DOOR (10) AND LEFT DOOR (9).
- INSERT CAM LOCK COVERS (I) BACK RAILS (5).



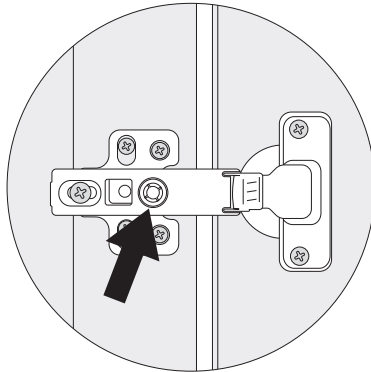
IF THE DOORS ARE NOT ALIGNED:

(A) CHECK THE UNIT FOR GAPS THAT MAY NEED TIGHTENING.

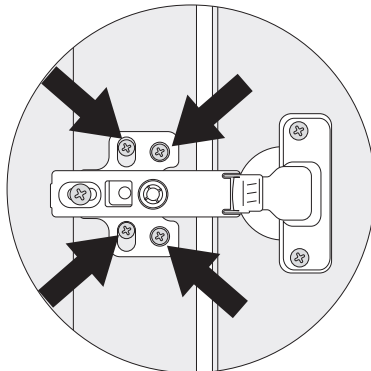
(B) FOR SIDE TO SIDE ADJUSTMENT LOOSEN THE SCREW INDICATED BELOW, ALIGN AND TIGHTEN.



(C) FOR FORWARD AND BACKWARDS ADJUSTMENT, USE THE SCREW INDICATED BELOW.



(D) FOR VERTICAL ADJUSTMENT LOOSEN THE INDICATED SCREWS, ALIGN AND TIGHTEN.



STORE THE BED

WITH YOUR HANDS ON THE TOP RAIL, PLACE YOUR FOOT ON THE BOTTOM RAIL AND TILT THE BED FORWARD, LIFTING THE BACK WHEELS SLIGHTLY OFF THE GROUND AND OVER THE FLOOR PANEL. ROLL THE BED FORWARD UNTIL THE BED IS FLUSH AGAINST THE BACK OF THE CABINET.



Thank you again!

YOU'VE OFFICIALLY COMPLETED ALL ASSEMBLING.

THANK YOU AGAIN FOR YOUR PURCHASE.

WE HOPE YOU'RE LOVING IT!



PHONE: 866-686-4891 EMAIL: INFO@MILLIARDBRANDS.COM