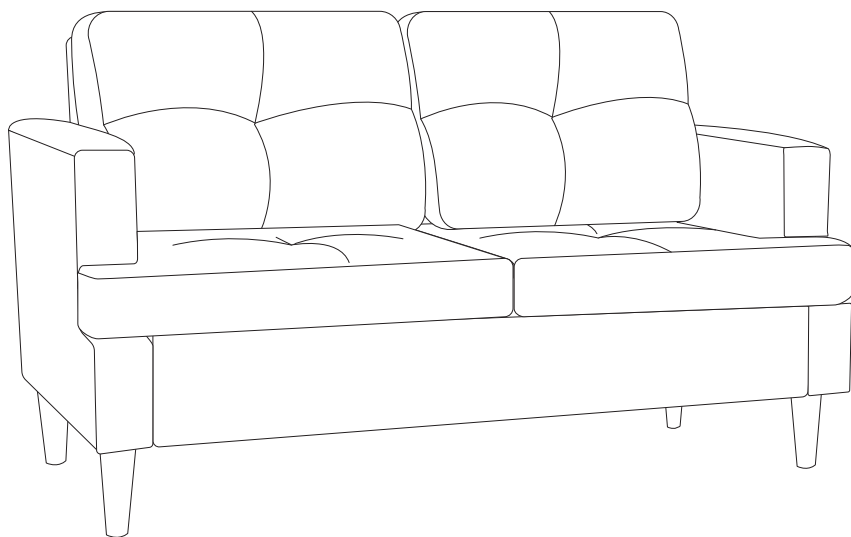




Loveseat Sofa

MANUAL



PRECAUTION: ALWAYS READ AND FOLLOW INSTRUCTIONS BEFORE USE. ALWAYS USE THE UNIT ACCORDING TO THE MANUFACTURERS GUIDELINES. ONLY USE THE UNIT IN A MANNER AS INTENDED BY MANUFACTURER.

Welcome to the family!

THANK YOU FOR PURCHASING OUR LOVESEAT COUCH
AND TRUSTING MILLIARD WITH PROVIDING
YOURSELF AND YOUR LOVED ONES WITH THE UTMOST
COMFORT AND SUPPORT IN YOUR HOME.
AS A FAMILY BRAND THAT STARTED BACK IN 2009 WE'VE
DEDICATED OURSELVES TO CAREFULLY CRAFTING LINES
OF PRODUCTS USED TO ELEVATE YOUR HOME. QUALITY
AND FAIR PRICING IS OUR PROMISE TO YOU. YOU CAN
TRUST THAT IF IT'S NOT GOOD ENOUGH FOR OUR HOME,
IT'S NOT GOOD ENOUGH FOR YOURS.

⚠️WARNING: THIS PRODUCT IS TO BE ASSEMBLED BY AN ADULT. IN ITS UNASSEMBLED STATE THIS PRODUCT CONTAINS POTENTIALLY HAZARDOUS SHARP POINTS, SHARP EDGES, AND SMALL PARTS. KEEP OUT OF REACH OF CHILDREN.

DID YOUR UNIT COME WITH ANY DAMAGED OR MISSING PARTS?

We're here to help.

OUR TEAM OF DEDICATED CUSTOMER CARE PROFESSIONALS ARE READY TO HELP YOU WITH ANY QUESTIONS OR CONCERNS YOU MAY HAVE.

FOR IMMEDIATE ATTENTION, CALL MONDAY-THURSDAY 9:00AM-5:00PM & FRIDAY 9:00AM-1:00PM.

OR YOU CAN LEAVE US A VOICE MESSAGE OR EMAIL, AND WE GUARANTEE YOU WILL HEAR BACK FROM US WITHIN ONE BUSINESS DAY.

PHONE: 866-686-4891

EMAIL: INFO@MILLIARDBRANDS.COM



MAINTENANCE:

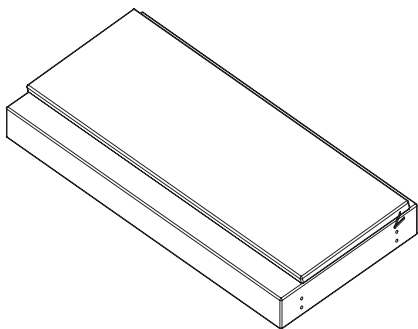
TO KEEP THE UNIT CLEAN, PERIODICALLY DUST AND WIPE IT WITH A DAMP CLOTH. FOR MORE EXTENSIVE CLEANING, USE A MILD CLEANSER AND A SOFT CLOTH.

DISCLAIMER: MILLIARD™ ASSUMES NO LIABILITY OR RESPONSIBILITY FOR ACCIDENTS OR INJURIES TO PERSONS OR PROPERTIES ASSOCIATED WITH THE IMPROPER USE OF THIS PRODUCT, NOR DOES MILLIARD CONDONE PROHIBITED OR UNLAWFUL USES. THIS PRODUCT MUST BE USED AS DIRECTED AND ALL SAFETY PRECAUTIONS MUST BE FOLLOWED AT ALL TIMES IN ACCORDANCE TO FEDERAL AND LOCAL LAWS OR REGULATIONS. BUYER ASSUMES ALL RISKS AND LIABILITY FROM MISUSE OF THIS PRODUCT AND MILLIARD SHALL NOT BE HELD LIABLE BEYOND THE INITIAL PURCHASE COST OF THE PRODUCT FOR ANY DAMAGES ARISING FROM ITS MISUSE.

Sofa Parts

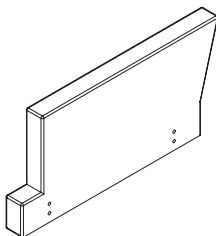
1

SOFA BASE



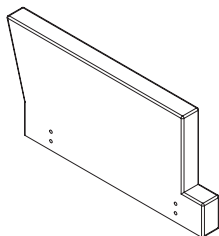
2

LEFT ARM



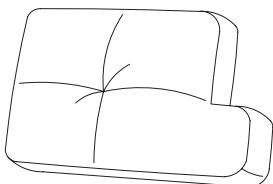
3

RIGHT ARM



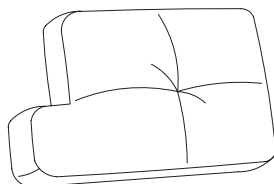
4

RIGHT SEAT CUSHION



5

LEFT SEAT CUSHION



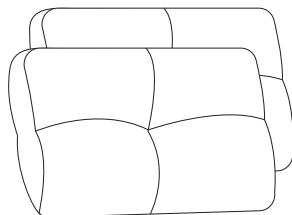
6

LEGS X4



7

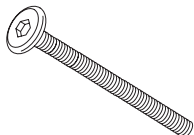
BACK CUSHION X2



Hardware Parts

a

LONG BOLTS X8



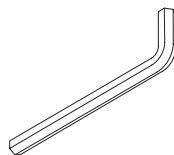
b

FLAT WASHER X8



c

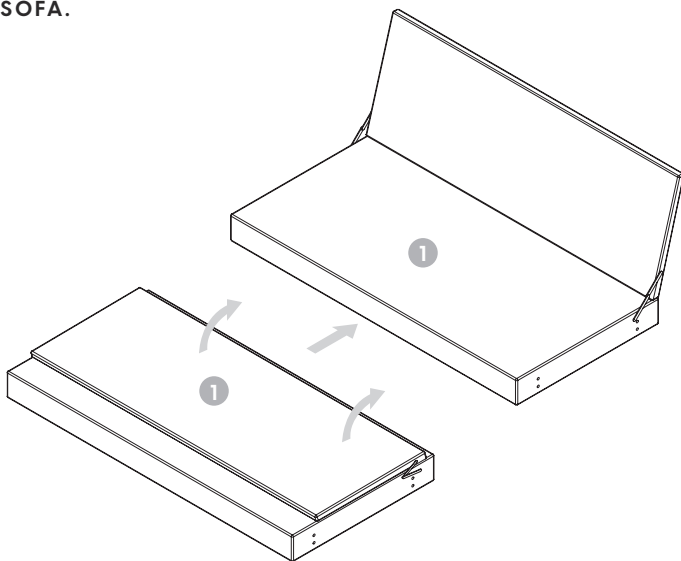
ALLEN KEY



Assembly Instructions

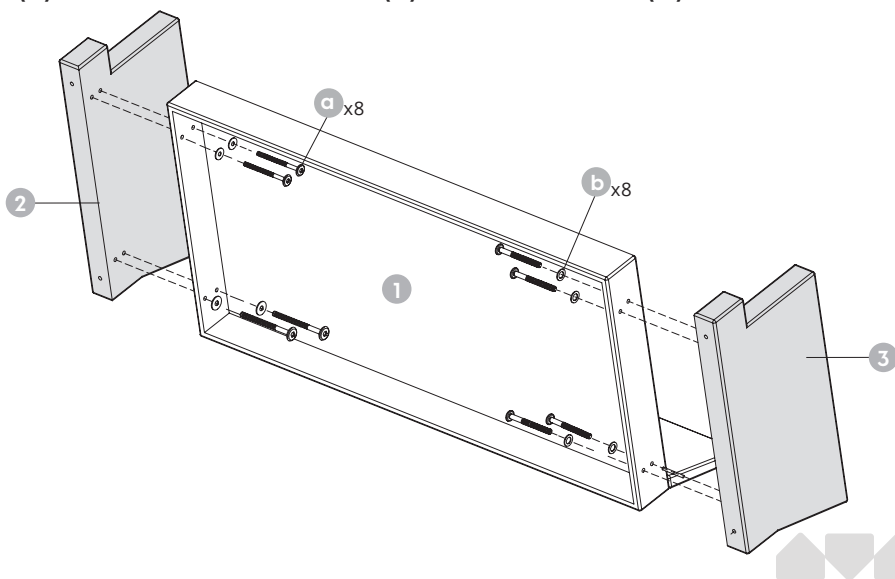
STEP 1

PLACE THE SOFA BASE (1) DOWN ON SURFACE AND FLIP UP THE BACK OF THE SOFA.



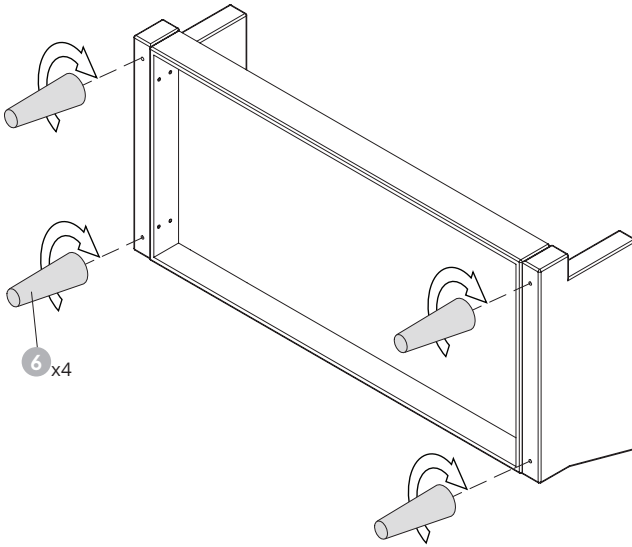
STEP 2

ATTACH THE LEFT ARM (2) AND THE RIGHT ARM (3) TO THE SOFA BASE (4) USING THE FLAT WASHERS (B) AND LONG BOLTS (A).



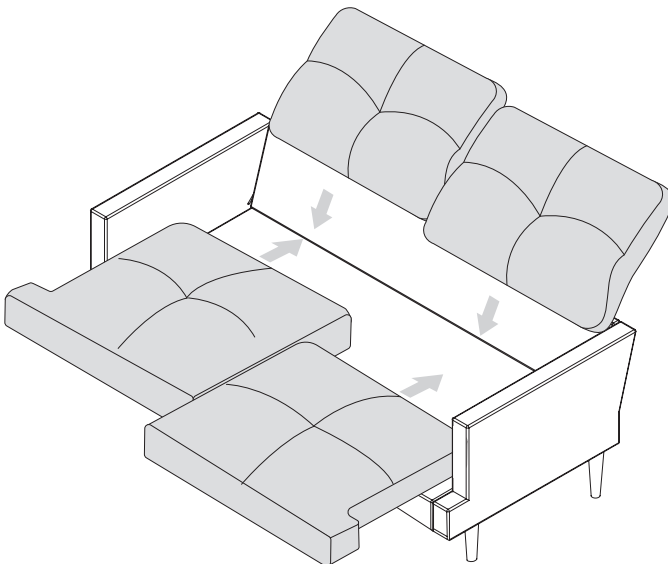
STEP 3

ATTACH THE LEGS (6) TO THE ARMS BY TURNING THEM CLOCKWISE.



STEP 4

FINALLY, PUT THE SEAT CUSHIONS AND BACK CUSHIONS ON THE SOFA.



Thank you again!

YOU'VE OFFICIALLY COMPLETED ALL ASSEMBLING.

THANK YOU AGAIN FOR YOUR PURCHASE.

WE HOPE YOU'RE LOVING IT!





PHONE: 866-686-4891 EMAIL: INFO@MILLIARDBRANDS.COM