



**IPC Integrated Professional Cleaning**

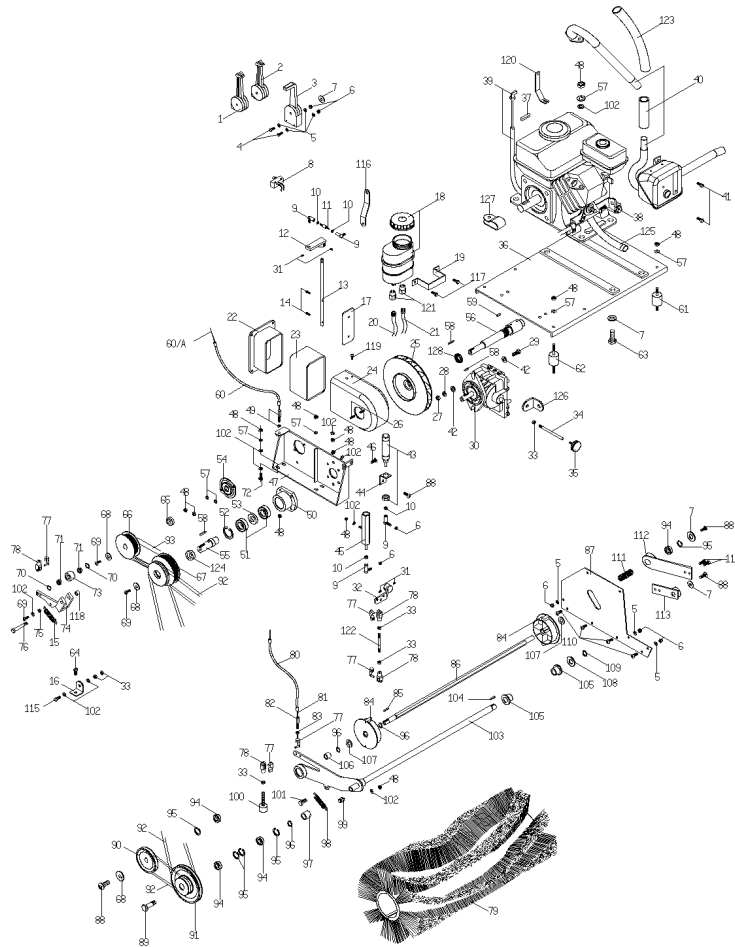
**IPC Gansow**

## **Spare Parts List**

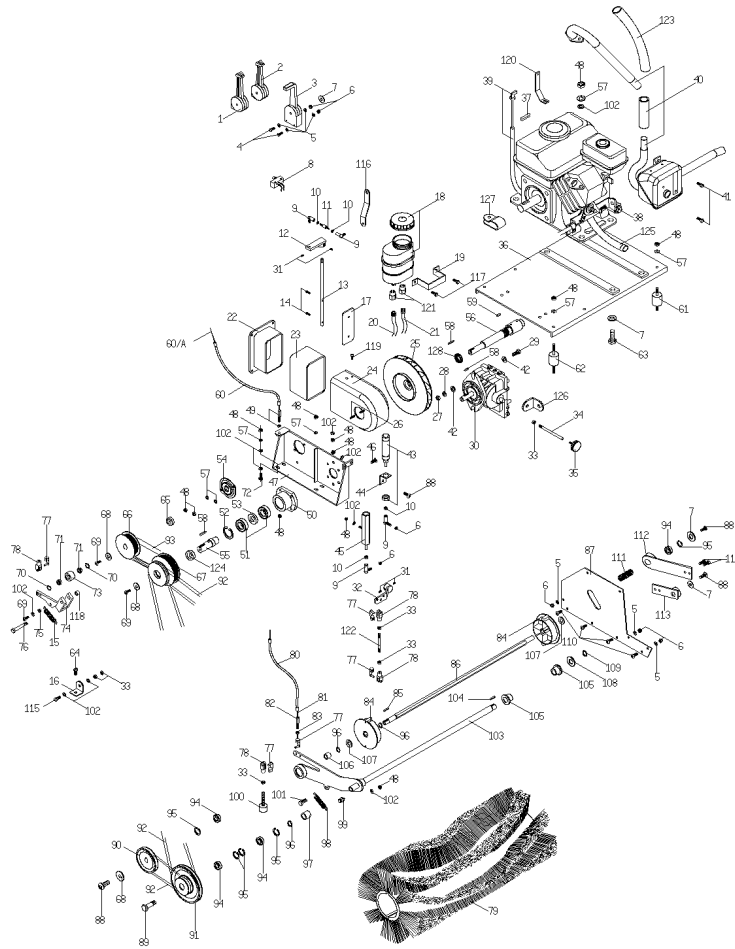
**GENERAL PUMP U.S.**

**Ref: MSUB00031**

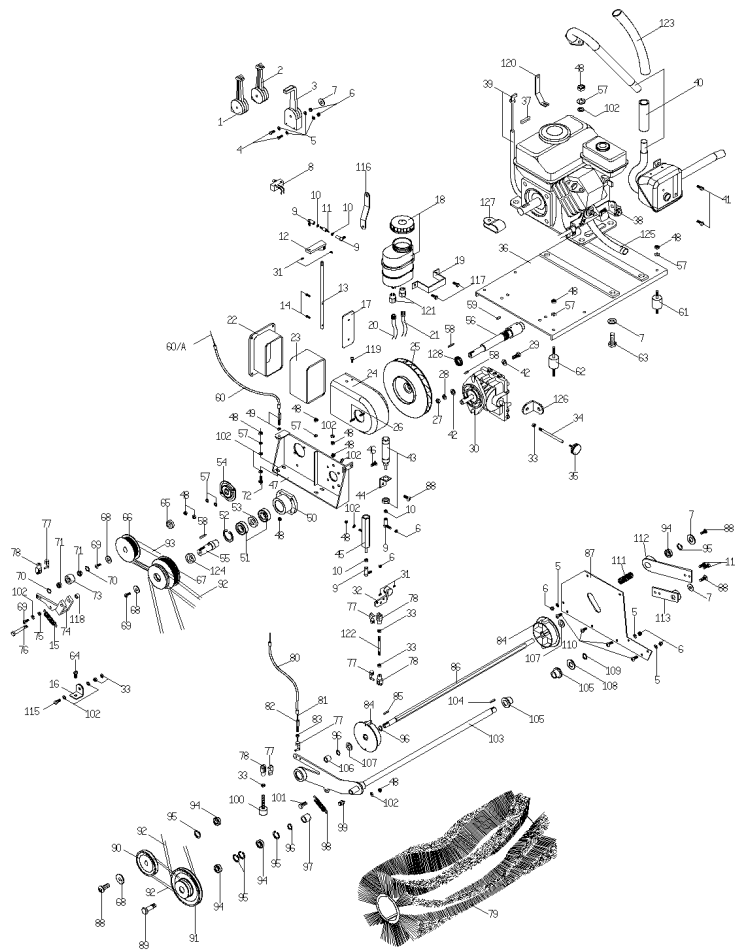
**Model: Spazzatrice 1000 SH Sprint gr/bianco**



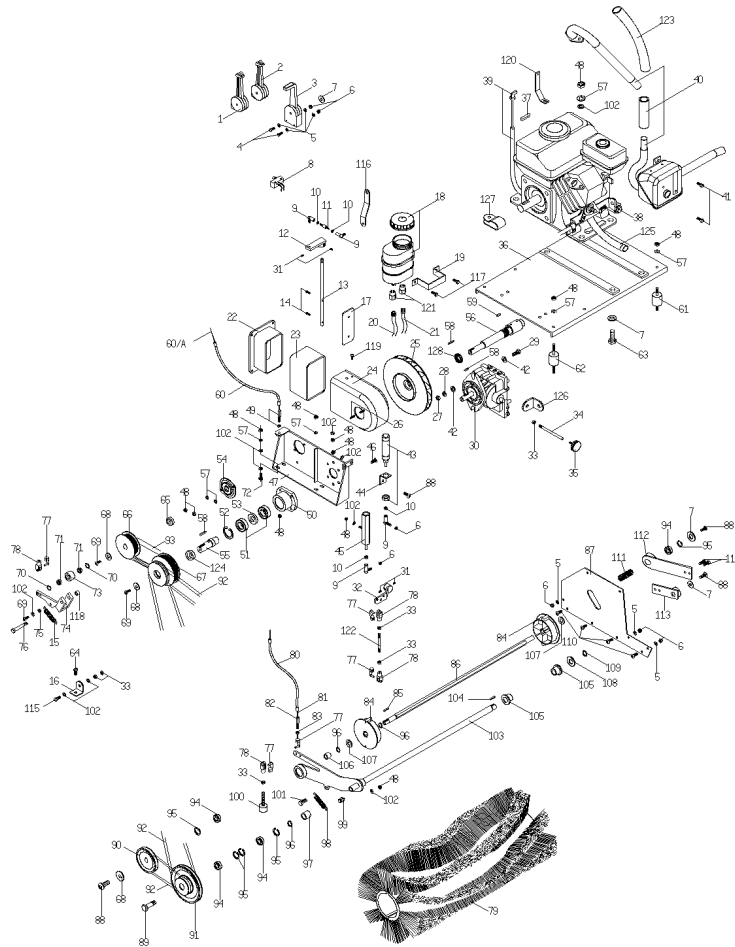
Ref.	K	Part N.	Customer Part N.	Description	Qty	Validity:		Price
						From	To	
0001		LAFN87160		LEVER	1,00			--
0002		LAFN87159		LEVER	1,00			--
0003		LAFN75738		TRIGGER	1,00			--
0004		VTVT62920		SCREW TE F/ROND. M 6X 16 ZB	2,00			--
0005		VTRS00503		WASHER D. 6 TE UNI 6798	8,00			--
0006		VTDD00491		NUT M 6 TEF	8,00			--
0007		VTRS00512		WASHER D. 8 X24 ZC.	7,00			--
0008		MECI75801		MICROSWITCH TK	1,00			--
0009		VTVR45280		ARTICULATION AS M6	4,00			--
0010		VTDD00482		NUT M 6 ZIN UNI 5588	4,00			--
0011		LAFN00467		PIN SNODO FARFAL.ASPIRAZ.	1,00			--
0012		LAFN00714		ARM APERTURA FARFAL.1000S ZN	1,00			--
0013		ALTR00017		SHAFT FARFALLA TK1000S	1,00			--
0014		VTVT17639		SCREW TCEI M 5X10 UNI 5931	2,00			--
0015		MLML00015		SPRING RIT.BR.LAT.D.19X3,25X57zb	1,00			--
0016		LAFN48831		BRACKET SW	1,00			--
0017		LAFN01072		VALVE A FARFAL.X COCLEA TK100S	1,00			--
0018		MPVR00015		TANK X OLIO CON FILTRO TK1000S	1,00			--
0019		LAFN00306		CLAMP FISS.SERBAT.OLIO 1000S	1,00			--
0020		TBBP87183		L.P. HOSE 840MM	1,00			--
0021		TBBP87182		L.P. HOSE 670MM	1,00			--
0022		LAFN00303		FLANGE FISSAGGIO COCLEA TK1000S	1,00			--
0023		MPVR87158		RUBBER TK1000S	1,00			--
0024		MPVR00194		SCROLL TK1000S	1,00			--
0025		VEVR00003		IMPELLER D.220X35 16 PALE TK1000S	1,00			--
0026		VTVT29810		SCREW TCEI M 8X20 UNI 5931	2,00			--
0027		VTDD00042		NUT AUT.M10 UNI7474	2,00			--
0028		LAFN00098		SPACER FISSAGGIO CENTRALINA IDR.	2,00			--
0029		VTVT01536		SCREW TE 10X45 UNI5739	2,00			--
0030		PPBP00003		PUMP 10 CC PORTATA VARIABILE	1,00			--
0031		VTVT00047		GRUB SCREW UNI 5923 8X8	4,00			--
0032		LAFN85725		ARM TK1000S TK22601003	1,00			--
0033		VTDD00483		NUT M 8 ZIN UNI 5588	6,00			--
0034		LAFN00468		PIN SBLOCCO MACCHINA TK1000S	1,00			--
0035		VTVR00045		HANDWHEEL V7 D.40 M8X15	1,00			--
0036		LAFN00702		MOTOR SUPPORT HONDA TK1000S VERNICIATO	1,00			--
0037		VTVR85820		KEY 4.78X4.78X43 90745ZE1600	1,00			--
0038		MOSC00003		MOTOR HONDA GX160 K1 QXW	1,00			--
0039		TBBP38393		EXTENSION HONDA GX 160	1,00			--



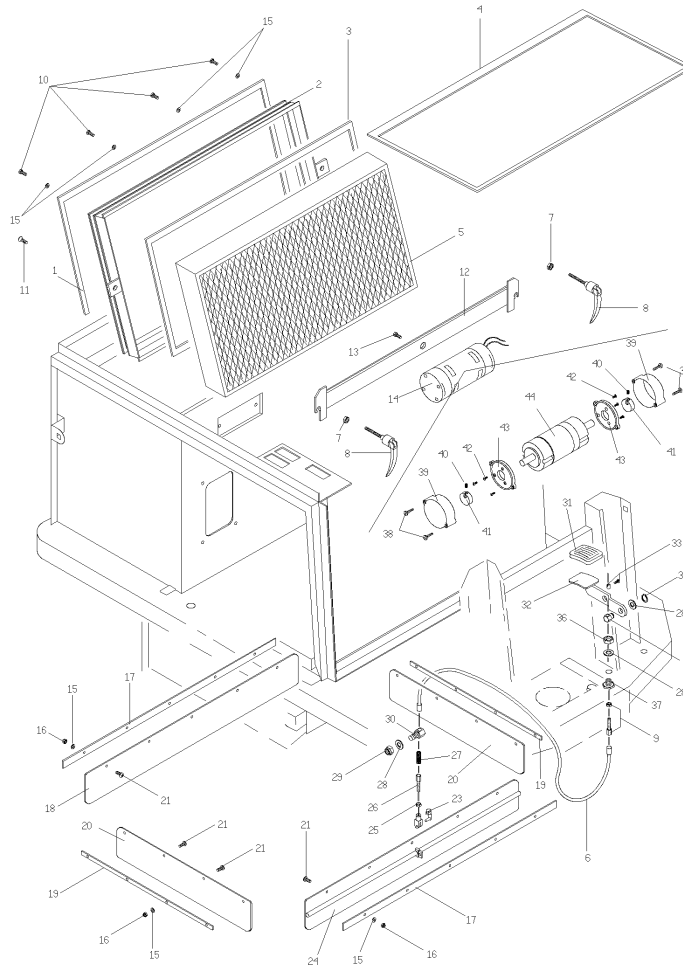
Ref. K	Part N.	Customer Part N.	Description	Qty	Validity: From To	Price
0040	MRSC85184		SILENCER HONDA GX 160 25001006	1,00		--
0041	VTVT85116		SCREW TE FR 6,3X19 ZIN	2,00		--
0042	VTRS00506		WASHER D.12 UNI 6592	4,00		--
0043	VTVT00118		CYLINDER MICROCILINDRO TK 1000S	1,00		--
0044	LAFN00713		BRACKET FISSAG.CILIND.PNEUMAT.ZN	1,00		--
0045	PMVR00191		CYLINDER STABILIZZATORE 1000S COMP	1,00		--
0046	VTVT63134		SCREW M 8X25 TSPEI ZC UNI 5933	4,00		--
0047	LAFN00706		SUPPORT POMPA TK1000S VERNICIATO	1,00		--
0048	VTDD00124		NUT M 8 BASSO	22,00		--
0049	CMCV75723		REGISTER D.7	1,00		--
0050	MFVR85824		FLANGE TK1000S TK21501011	1,00		--
0051	CUVR86893		BEARING 6005 2RS	2,00		--
0052	VTAE85823		CIRCLIP D. 47 UNI 7435	1,00		--
0053	LAFN87093		SPACER TK21101033	1,00		--
0054	CUVR58861		BEARING SBPFL 204 BK	1,00		--
0055	ALTR85825		SHAFT TK1000S TK21001008	1,00		--
0056	ALTR75830		FAN SHAFT	1,00		--
0057	VTRS01080		WASHER D. 8 GRW	15,00		--
0058	VTVR16617		KEY 6X 6X30 UNI 6604	3,00		--
0059	VTVR28705		KEY 6X 6X15 UNI 6604A	1,00		--
0060	CMCV85306		SHEATH SW 1000 S	1,00		--
0061	ABGO75800		VIBRATION DAMP.30X20 8MAX16	4,00		--
0062	ABGO00005		VIBRATION DAMP.30X20 8MAX16+8MAX25	2,00		--
0063	VTVT00452		SCREW TE 8X 50 UNI 5739	4,00		--
0064	VTVT85116		SCREW TE FR 6,3X19 ZIN	1,00		--
0065	LAFN00099		SPACER PULEGGIA MOTORE VENTOLA	1,00		--
0066	MTPL86537		PULLEY POLY 660J	1,00		--
0067	MTPL85900		PULLEY 2 G TK22501016	1,00		--
0068	VTRS00513		WASHER D. 8 X32 P.	3,00		--
0069	VTVT87271		SCREW TBEI M 8X 16 ISO 7380	3,00		--
0070	VTAE13513		CIRCLIP D. 26 UNI 7437	2,00		--
0071	CUVR86373		BEARING 6000 2RS	2,00		--
0072	VTVT00447		SCREW TE 8X25 UNI5739	3,00		--
0073	MTPL47061		ROLLER L.14	1,00		--
0074	LAFN00254		TRIGGER RULLO TENDIC TK1000S ZINC	1,00		--
0075	LAFN00100		BUSHING LEVA TENDICINCHIA TK1000S	1,00		--
0076	VTVR00035		PIN M6X45 CH.12	1,00		--
0077	CMCV75718		CLIP UNI 1676 M8	5,00		--
0078	CMCV00001		FORK UNI 1676 M8X16	4,00		--



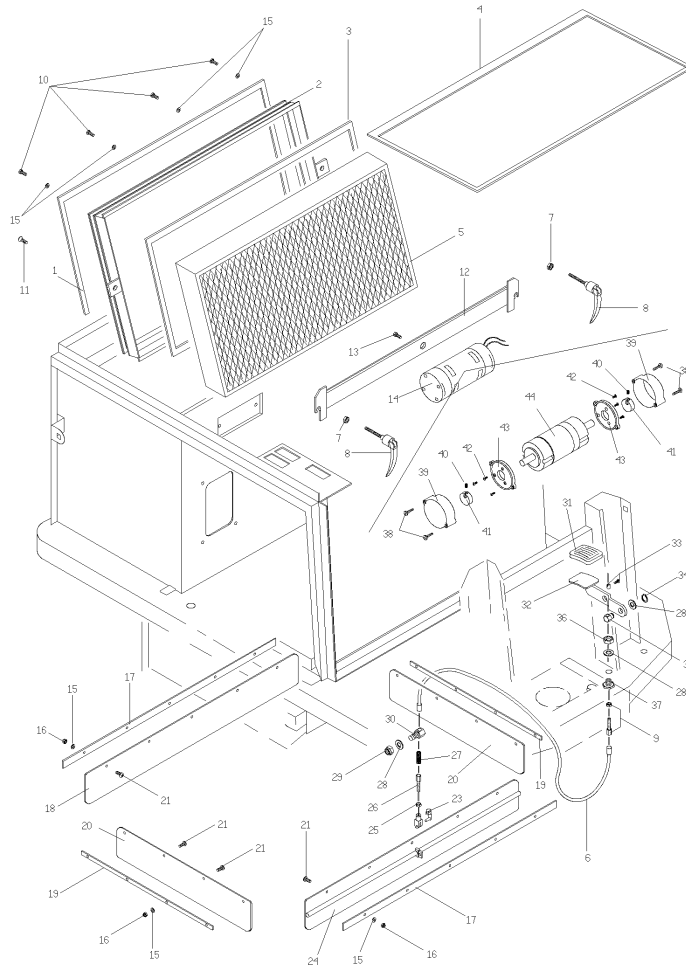
Ref.	K	Part N.	Customer Part N.	Description	Qty	Validity: From To	Price
0079		SPPV75791		CENTRAL BRUSH D.280 X680 SW1000 PPL	1,00		--
0080		CMCV87157		SHEATH X CABLE SW1000	1,00		--
0081		CMCV75906		CABLE D.1.8 SW1000ET/SC	1,00		--
0082		LAFN76659		PIN	1,00		--
0083		VTDD86871		NUT M7 UNI5589	1,00		--
0084		LAFN76064		FLANGE	1,00		--
0085		VTVR13165		KEY 5X5X20	1,00		--
0086		ALTR75829		BRUSH SHAFT TK1000	1,00		--
0087		LAFN00231		SHEET METAL PA.CHIUSURA VANO SPAZ.TK1000	1,00		--
0088		VTVT75724		SCREW TBEI M 8X 22 ISO 7380 ZB	1,00		--
0089		LAFN00465		PIN FISSAG.PULEGGIA RINVIO	1,00		--
0090		MTPL75998		PULLEY SW1000	1,00		--
0091		MTPL00017		PULLEY DI RINVIO TK1000S	1,00		--
0092		MTCG75775		BELT D. 10 SV. 710	3,00		--
0093		MTCG75777		BELT POLY 660J 10 V	1,00		--
0094		CUVR00005		BEARING 6202 2RS	4,00		--
0095		VTAE17002		CIRCLIP D. 35 UNI 7437	5,00		--
0096		VTAE17003		CIRCLIP D. 15 UNI 7435	3,00		--
0097		LAFN00091		BUSHING PER PULEGGIA TRAINO	1,00		--
0098		MLML87162		SPRING D. 17X150 X 2	1,00		--
0099		LAFN00464		PIN MOLLA RITORN.SPAZZ.CENTR.	1,00		--
0100		ABGO26555		VIBRATION DAMP.30X20- 1M10X20 -60+5SH	1,00		--
0101		VTVT63129		SCREW TE F/ROND. M 8X16 ZB	1,00		--
0102		VTRS00504		WASHER D. 8 TE ZC. UNI 6592	16,00		--
0103		LAFN00080		BALANCER TK1000 ALAZA SPAZZOLA ZIN	1,00		--
0104		VTVR28706		KEY 6X 6X20 UNI 6604A	1,00		--
0105		MPVR85319		BUSHING SW1000 NYL 21101013	2,00		--
0106		MPVR76647		BUSHING SW1000	1,00		--
0107		VTRS86383		WASHER 15X28 UNI6592	2,00		--
0108		VTRS00509		WASHER D.20 PIANA Z. UNI6592	1,00		--
0109		VTAE06193		CIRCLIP D. 20 UNI 7435	1,00		--
0110		VTVT75721		SCREW TTDE UNI 5732 6 X 16 ZB	4,00		--
0111		MLML75963		SPRING	1,00		--
0112		LAFN00698		ARM BLOCCA SPAZ.CENTR.TK1000	1,00		--
0113		LAFN00699		CLAMP BRACCIO BLOC.SPAZZ.TK1000	1,00		--
0114		VTVT00011		SCREW TE UNI 5739 8X10 ZB	2,00		--
0115		VTVT00017		SCREW TE UNI 5739 8X35 ZB	1,00		--
0116		LAFN00351		LEVER COMANDO APERT.FARFAL.ZINC	1,00		--
0117		VTVT75719		SCREW TE F/ROND. M 6 X 10	2,00		--



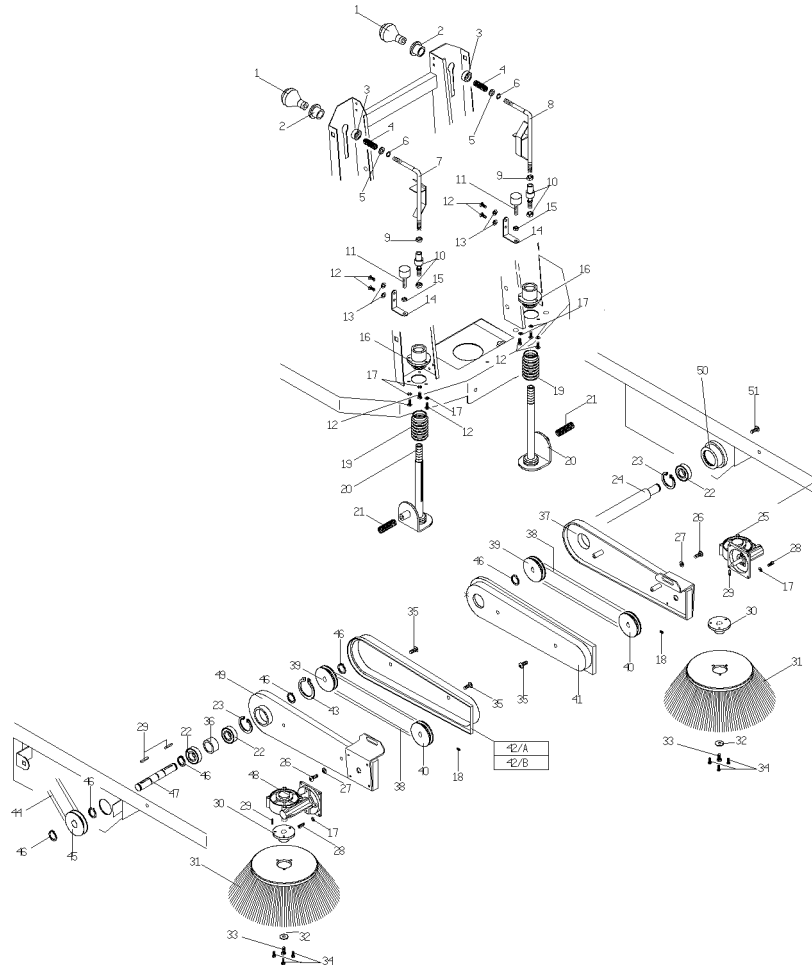
Ref. K	Part N.	Customer Part N.	Description	Qty	Validity:		Price
					From	To	
0118	LAFN47060		SPACER L.14	1,00			--
0119	VTVT75726		SCREW TBEI M 6X 16 ISO 7380 ZB	1,00			--
0120	LAFN00683		BRACKET SOST.ASTA LIV.OLIO 1000S	1,00			--
0122	LAFN00470		PIN DI COLLEG.POMPA A PED.DIR	1,00			--
0123	TBFX85186		TUBE FLEX SW 1000 25001011	1,00			--
0124	LAFN85821		SPACER TK1000S TK21101018	1,00			--
0125	TBBP47172		L.P. HOSE L=300 1/4F -1/4F 0°	1,00			--
0126	LAFN00715		BRACKET FERMO SBLOC.POMPA 1000Szn	1,00			--
0127	FSVR00008		CLAMP GOMMATA FG 35	1,00			--
0128	VTVT00114		RING NUT AUTOBLOK M30X1,5 GUK	1,00			--
60/A	CMCV85307		CABLE SW 1000 S	1,00			--



Ref. K	Part N.	Customer Part N.	Description	Qty	Validity: From To	Price
0001	GUVR86026		GASKET P. SW1000	1,00		--
0002	LAFN01014		FRAME PORTA FILTRO TK1000 VIBR.	1,00		--
0003	MPVR86606		KIT KIT GUARN.MOUSSE FILTRO	1,00		--
0004	MPVR86607		KIT KIT GUARN.MOUSSE FILTRO	1,00		--
0005	FTDP76067		FILTER SW1000	1,00		--
0006	CMCV75905		SHEATH X CABLE	1,00		--
0007	VTDD00057		NUT UNI 5589 M8 BASSO ZB	2,00		--
0008	PMVR00215		HANDLE BLOCCAGGIO FILTR. 1000E-S	2,00		--
0009	CMCV75723		REGISTER D.7	1,00		--
0010	VTVT75726		SCREW TBEI M 6X 16 ISO 7380 ZB	8,00		--
0011	VTVT13515		SCREW TSPEI M6x16 UNI5933 10.9	2,00		--
0012	LAFN00720		MOTOR SUPPORT S/FILTRO TK1000 NUOVO VER	1,00		--
0013	VTVT47025		SCREW TBEI M 10X 16 ISO 7380 ZB	1,00		--
0014	MOCC85140		MOTOR 12V CC	1,00		--
0015	VTRS04026		WASHER D. 6X18X2.38	22,00		--
0016	VTDD00491		NUT M 6 TEF	14,00		--
0017	LAFN86529		CLAMP FLAP	2,00		--
0018	MPVR75934		RUBBER FLAP TK1000	1,00		--
0019	LAFN00305		CLAMP FLAP DX/SX TK1000 NERO	2,00		--
0020	MPVR75936		RUBBER FLAP DX/SX TK1000	2,00		--
0021	VTVT75721		SCREW TTDE UNI 5732 6 X 16 ZB	14,00		--
0023	CMCV75717		CLIP UNI 1676 M6	1,00		--
0024	MPVR75935		RUBBER FLAP TK1000	1,00		--
0025	VTDD00482		NUT M 6 ZIN UNI 5588	1,00		--
0026	CMCV45110		CORD D. 2.5 FLAP L.14	1,00		--
0027	MLML75962		SPRING	1,00		--
0028	VTRS00506		WASHER D.12 UNI 6592	3,00		--
0029	VTDD00012		NUT AUTOBLOK DIN 985 M12 ZB	1,00		--
0030	LAFN75976		SPRING GUIDE TK 1000	1,00		--
0031	MPVR45096		RUBBER V 1201 GR.	1,00		--
0032	LAFN76008		PEDALE FLAP TK1000	1,00		--
0033	VTVR00028		CLAMP PER CASSETTO G1300	1,00		--
0034	VTAE14016		CIRCLIP D. 12 UNI 7435	1,00		--
0035	LAFN75973		PIN FLAP TK	1,00		--
0036	VTDD01682		NUT M12 ZC UNI 5588	1,00		--
0037	LAFN75975		PIN TK	1,00		--
0038	VTVT47138		SCREW TSP-TC 3,9X32 ZC. UNI6955	4,00		--
0039	LAFN47139		MOTOR COVER L.14 FILT.	2,00		--
0040	VTVT75731		SCREW UNI 5923 6 X5	2,00		--

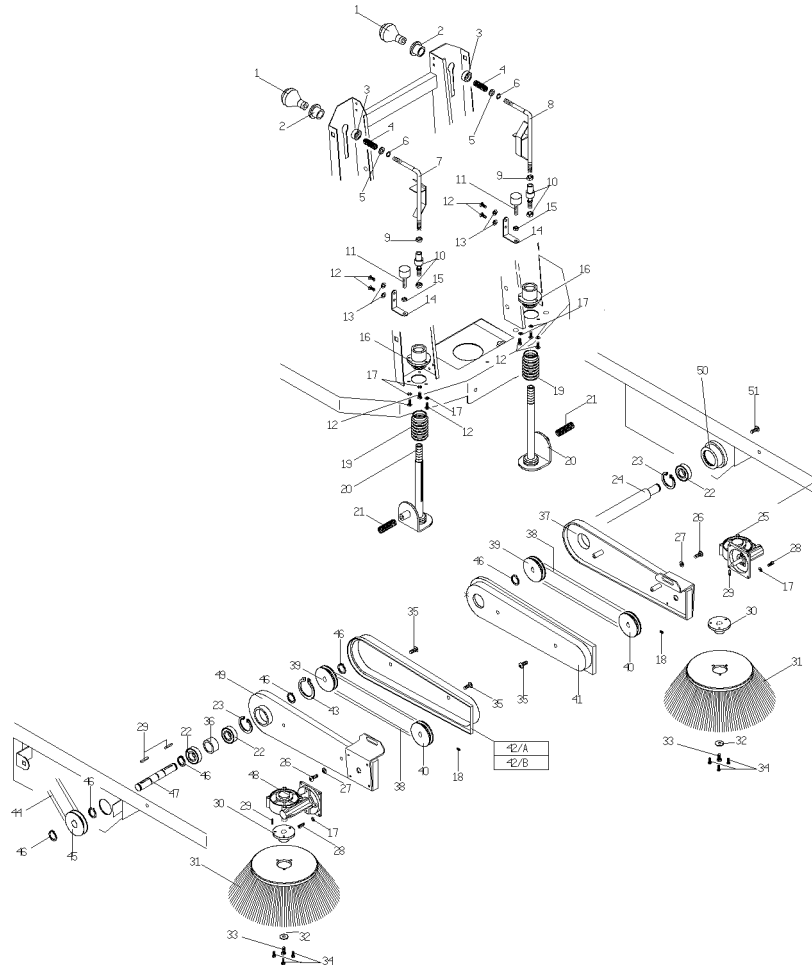


Ref. K	Part N.	Customer Part N.	Description	Qty	Validity:		Price
					From	To	
0041	LAFN47140		BUSHING L.14	2,00			--
0042	VTVT76616		SCREW M 4x18 STEAM GUN	6,00			--
0043	MFVR47141		FLANGE MOTOR L.14	2,00			--
0044	MOCC85526		MOTOR 12V	1,00			--

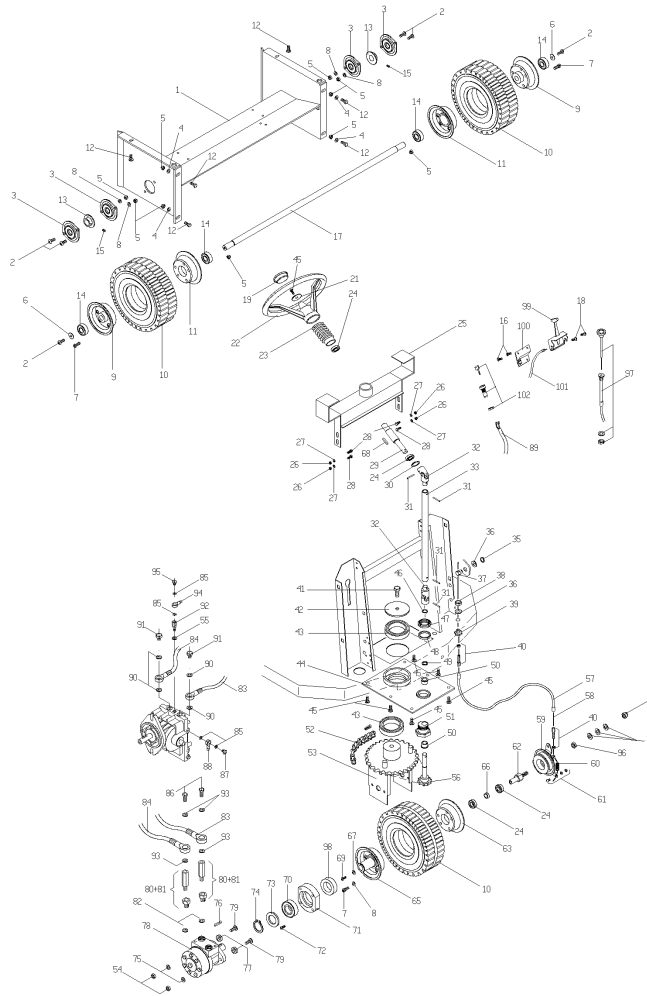


Ref. K	Part N.	Customer Part N.	Description	Qty	Validity: From To	Price
0001	MPVR87264		KNOB ALZASPAZZ.LAT.TK1000	2,00		--
0002	MPVR47076		BUSHING L.14 EXT.	2,00		--
0003	MPVR47074		BUSHING L.14 INT.	2,00		--
0004	MLML47075		SPRING D.15X 24 X1.5	2,00		--
0005	VTRS00505		WASHER D.10 TE UNI 6592	2,00		--
0006	VTAE87276		SEEGER EXT. D10 DIN471	2,00		--
0007	LAFN00700		ARM DX ALZA SPAZ. TK1000 ZINC	1,00		--
0008	LAFN87265		ARM ALZASP.LAT.SX TK1000 ZN	1,00		--
0009	VTDD00484		NUT M10 ZIN UNI 5588	2,00		--
0010	VTVR47072		ARTICULATION AS M10	2,00		--
0011	MPVR75799		FOOT 20x9 M 6x18	2,00		--
0012	VTVT75726		SCREW TBEI M 6X 16 ISO 7380 ZB	10,00		--
0013	VTRS04026		WASHER D. 6X18X2.38	4,00		--
0014	MPVR86579		SUPPORT TK	2,00		--
0015	VTDD00482		NUT M 6 ZIN UNI 5588	2,00		--
0016	LAFN87266		FLANGE SUPP.SPAZZ.LAT.TK1000ZN	2,00		--
0017	VTRS00503		WASHER D. 6 TE UNI 6798	14,00		--
0018	VTVT86570		GRUB SCREW M 6x10 UNI 5927	2,00		--
0019	MPVR47066		PROTECTOR L.14	2,00		--
0020	LAFN87267		ARM SUPPORT LAT.DX/SX TK1000S	2,00		--
0021	MLML75963		SPRING	2,00		--
0022	CUVR00008		BEARING 6003 2RS	3,00		--
0023	VTAE17002		CIRCLIP D. 35 UNI 7437	2,00		--
0024	ALTR87270		SHAFT TRAS.SX SPAZ.LAT TK1000S	1,00		--
0025	RDGR75786		REDUCTION UNIT SX SWEEP 1000 SC	1,00		--
0026	VTVT87271		SCREW TBEI M 8X 16 ISO 7380	2,00		--
0027	VTRS00512		WASHER D. 8 X24 ZC.	2,00		--
0028	VTVT75726		SCREW TBEI M 6X 16 ISO 7380 ZB	8,00		--
0029	VTVR33667		KEY 5x 5x25 UNI 6604A	4,00		--
0030	LAFN45010		FLANGE L.1400 LT.	2,00		--
0031	SPPV75790		SIDE-BRUSH D.400 PPL BK. D.0.7	2,00		--
0032	VTRS63242		WASHER D. 6 X24 ZC	2,00		--
0033	VTVT00527		SCREW TE FR 6x10 ZB ZIGRINATE	2,00		--
0034	VTVT62920		SCREW TE F/ROND. M 6X 16 ZB	6,00		--
0035	VTVT87271		SCREW TBEI M 8X 16 ISO 7380	4,00		--
0036	LAFN00102		SPACER CUSCIN.MOZZO SOST.SP.LAT.	1,00		--
0037	LAFN87273		ARM ALZ.LAT.SX TK1000S VERN	1,00		--
0038	MTCG85309		BELT 8X 905	2,00		--
0039	MTPL87275		PULLEY D.96 H.26	2,00		--

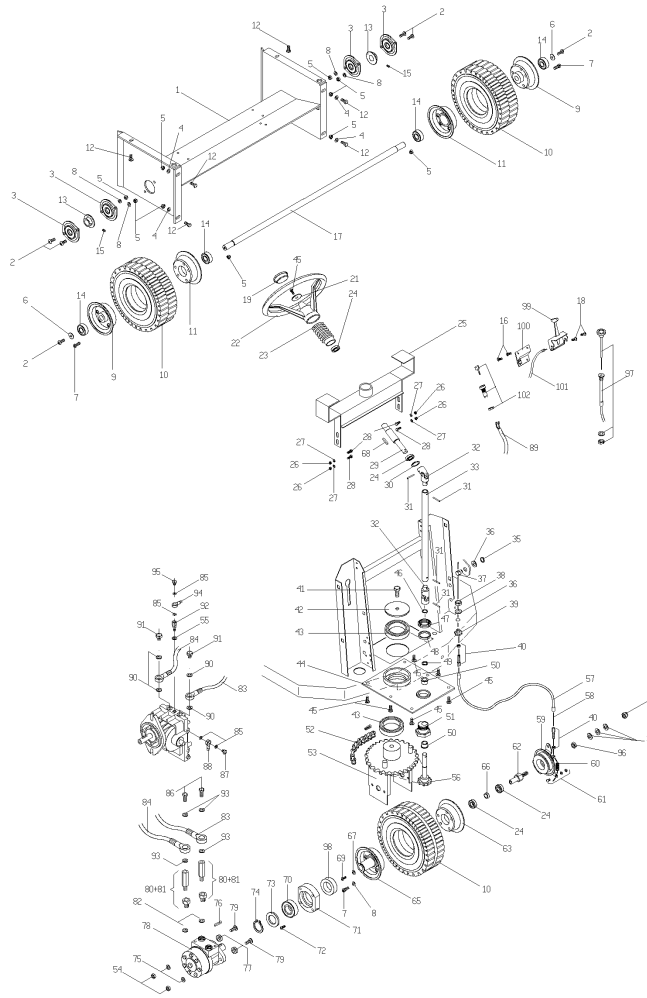




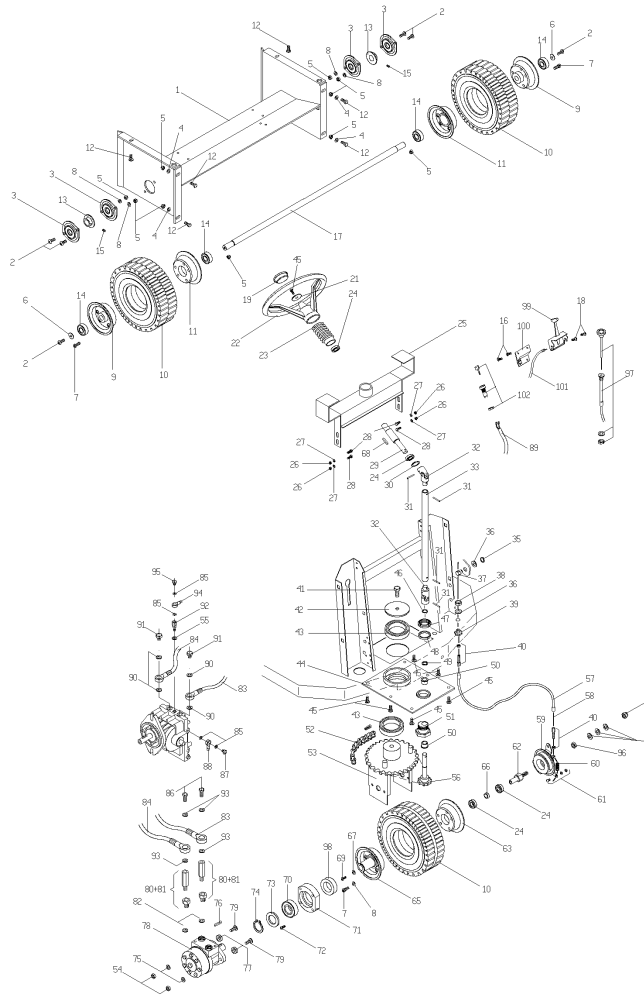
Ref. K	Part N.	Customer Part N.	Description	Qty	Validity:		Price
					From	To	
0040	MTPL87274		PULLEY D.75 H.27	2,00			--
0041	MPVR87281		CRANKCASE LATERALE SX TK1000S	1,00			--
0043	VTAE87277		SEEGER ESTERNO DIN 471 D.45	1,00			--
0044	MTCG75775		BELT D. 10 SV. 710	1,00			--
0045	MTPL00016		PULLEY D.78 H.25	1,00			--
0046	VTAE13512		CIRCLIP D. 17 UNI 7435	6,00			--
0047	ALTR87479		SHAFT LAT.DX TK1000S	1,00			--
0048	RDGR85001		REDUCTION UNIT SWEEP 1000 SC	1,00			--
0049	LAFN76761		ARM DX SW1000S TK22601034	1,00			--
0050	LAFN87280		HUB SOSTEGNO SX ALB.SPAZ.LAT.	1,00			--
0051	VTVT47025		SCREW TBEI M 10X 16 ISO 7380 ZB	1,00			--



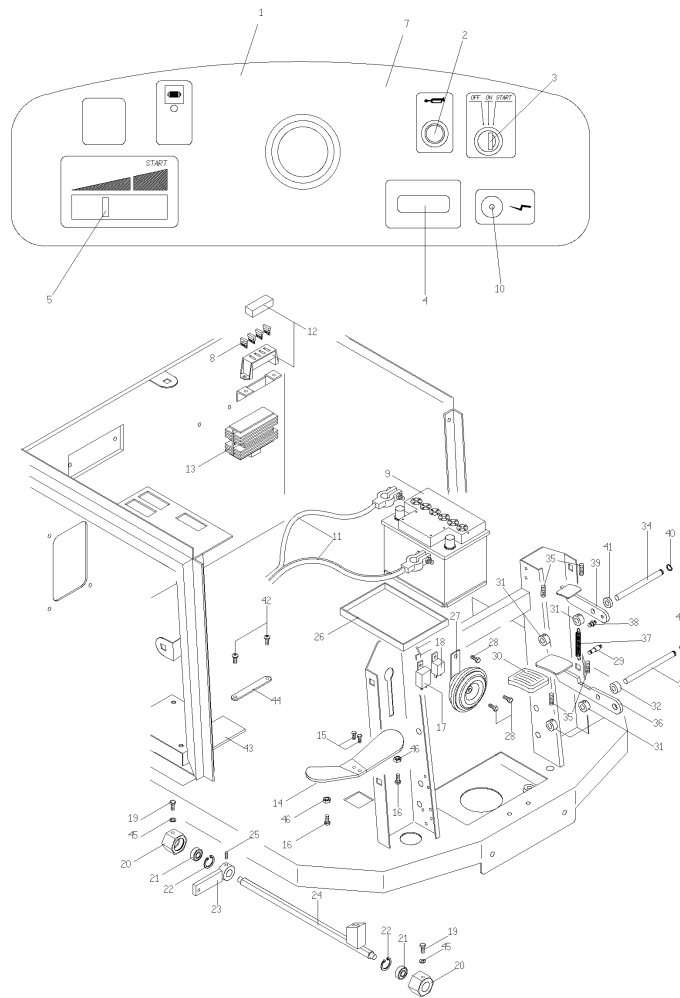
Ref.	K	Part N.	Customer Part N.	Description	Qty	Validity:		Price
						From	To	
0001		LAFN00688		SHAFT BEARER POSTERIORE TK1000 NERO	1,00			--
0002		VTVT75724		SCREW TBEI M 8X 22 ISO 7380 ZB	6,00			--
0003		LAFN00302		FLANGE X SUPPORTO ASSALE POSTER.	4,00			--
0004		VTRS00504		WASHER D. 8 TE ZC. UNI 6592	4,00			--
0005		VTDD00124		NUT M 8 BASSO	18,00			--
0006		VTRS00513		WASHER D. 8 X32 P.	2,00			--
0007		VTVT00066		SCREW TCCE UNI 5931 8X25 ZB	15,00			--
0008		VTRS01080		WASHER D. 8 GRW	9,00			--
0009		LAFN85290		HUB SW 1000 22501004	2,00			--
0010		KTRI75744		REAR WHEELS TK1000	3,00			--
0011		LAFN85380		HUB SW 1000E/S 22501005	2,00			--
0012		VTVT63129		SCREW TE F/ROND. M 8X16 ZB	6,00			--
0013		LAFN00712		SUPPORT ASSALE POSTERIORE TK1000S	2,00			--
0014		CUVR00008		BEARING 6003 2RS	4,00			--
0015		VTVT75731		SCREW UNI 5923 6 X5	4,00			--
0016		VTVT75719		SCREW TE F/ROND. M 6 X 10	2,00			--
0017		ALTR00016		TRACTION SHAFT TK1000S ZINCATO	1,00			--
0018		VTVT00527		SCREW TE FR 6x10 ZB ZIGRINATE	2,00			--
0019		MPVR47026		BLACK CAP L.14	1,00			--
0021		VTRS44254		WASHER D.10 X40X2.5 UNI6593	1,00			--
0022		MPVR47027		STEERING WHEEL D. 320 L.14	1,00			--
0023		MPVR47066		PROTECTOR L.14	1,00			--
0024		CUVR00005		BEARING 6202 2RS	4,00			--
0025		LAFN00718		SUPPORT CRUSC.1000EH-SH DULEVO ZN	1,00			--
0026		VTDD00491		NUT M 6 TEF	4,00			--
0027		VTRS04026		WASHER D. 6X18X2.38	4,00			--
0028		VTVT62920		SCREW TE F/ROND. M 6X 16 ZB	4,00			--
0029		ALTR00011		SHAFT PER VOLANTE TK1000	1,00			--
0030		VTAE17002		CIRCLIP D. 35 UNI 7437	1,00			--
0031		VTVR46987		ELASTIC PLUG 5X25 UNI 6873	4,00			--
0032		VTVR47021		ARTICULATION D. 5-15	2,00			--
0033		PMTR00022		SHAFT STERZO G1200-1300 COMPL.	1,00			--
0035		VTAE14016		CIRCLIP D. 12 UNI 7435	5,00			--
0036		VTRS00506		WASHER D.12 UNI 6592	3,00			--
0037		LAFN75973		PIN FLAP TK	1,00			--
0038		VTDD00012		NUT AUTOBLOK DIN 985 M12 ZB	1,00			--
0039		LAFN75975		PIN TK	1,00			--
0040		CMCV75723		REGISTER D.7	2,00			--
0041		VTVT75716		SCREW TE UNI 5739 16 X 20 ZB	1,00			--



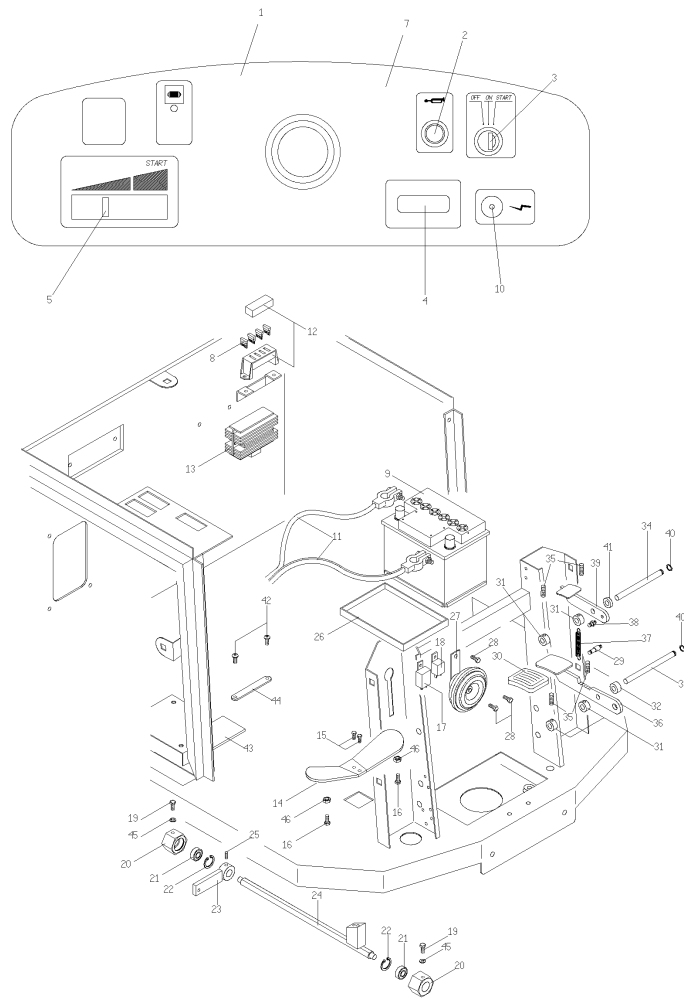
Ref.	K	Part N.	Customer Part N.	Description	Qty	Validity:		Price
						From	To	
0042		LAFN75917		FLANGE	1,00			--
0043		CUVR75816		BEARING 51112	2,00			--
0044		LAFN85521		FLANGE SW1000 21501004	1,00			--
0045		VTVT47025		SCREW TBEI M 10X 16 ISO 7380 ZB	7,00			--
0046		VTAE17003		CIRCLIP D. 15 UNI 7435	1,00			--
0047		VTVR75747		RING NUT AUTOBLOK M 35 X 1,5 GUK	1,00			--
0048		LAFN75913		SPACER TK	1,00			--
0049		MPVR75734		THICKNESS D.15X22X0.5	1,00			--
0050		LAFN75841		BUSHING TK 1000	2,00			--
0051		LAFN75842		BUSHING TK 1000	1,00			--
0052		MTCR85008		CHAIN SWEEP 1000 ET	1,00			--
0053		LAFN00704		WHEEL SUPPORT ANTERIORE TK 1000S	1,00			--
0054		VTDD00012		NUT AUTOBLOK DIN 985 M12 ZB	3,00			--
0055		VTRS00004		WASHER ACCIAIO 7/16 JIC	1,00			--
0056		KTRI46514		PIN TK 1000 + BUSCH.	1,00			--
0057		CMCV75904		BRAKE SHEATH TK 1000E/S	1,00			--
0058		CMCV85320		CABLE D.2,5 L.760 21251003	1,00			--
0059		LAFN86483		BRAKE ANT.D.90 TK1000	1,00			--
0060		MLML75964		SPRING D. 11,3 X100 X1,5 TK	1,00			--
0061		VTVR00029		CLAMP FRENO ART.7056	1,00			--
0062		LAFN86494		PIN RUOTA ANTERIORE TK1000S	1,00			--
0063		LAFN85291		HUB SW 1000 22501002	1,00			--
0065		LAFN00630		HUB RUOTA ANTER.MOTO.IDRAUL.	1,00			--
0066		LAFN00096		BUSHING DISTANZ.CUSC.RUOTA ANT.	1,00			--
0067		VTRS00512		WASHER D. 8 X24 ZC.	1,00			--
0069		VTVT87271		SCREW TBEI M 8X 16 ISO 7380	1,00			--
0070		CUVR48690		BALL BEARING 6008-2RS1	1,00			--
0071		LAFN00097		BUSHING PORTA CUSCINETTO 6008	1,00			--
0072		VTVT63134		SCREW M 8X25 TSPEI ZC UNI 5933	4,00			--
0073		LAFN00094		SPACER CUSCINETTO 6008	1,00			--
0074		VTAE00005		CIRCLIP D. 40 UNI 7435	1,00			--
0075		VTRS00506		WASHER D.12 UNI 6592	2,00			--
0076		VTVR00005		KEY UNI 6604 8X7X32	1,00			--
0077		LAFN00103		SPACER FISS.MOT.IDR.RUOTA ANT.	2,00			--
0078		PPBP00001		MOTOR IDRAULICO MGLR 100A 25NIT	1,00			--
0079		VTVT00073		SCREW TCCE UNI 5931 12X45 ZB	2,00			--
0080		LAFN01074		COLUMN MOTORE IDRAULUCO TK1000S	2,00			--
0081		LAFN01074		COLUMN MOTORE IDRAULUCO TK1000S	2,00			--
0082		VTRS00006		WASHER RAME D.20	2,00			--



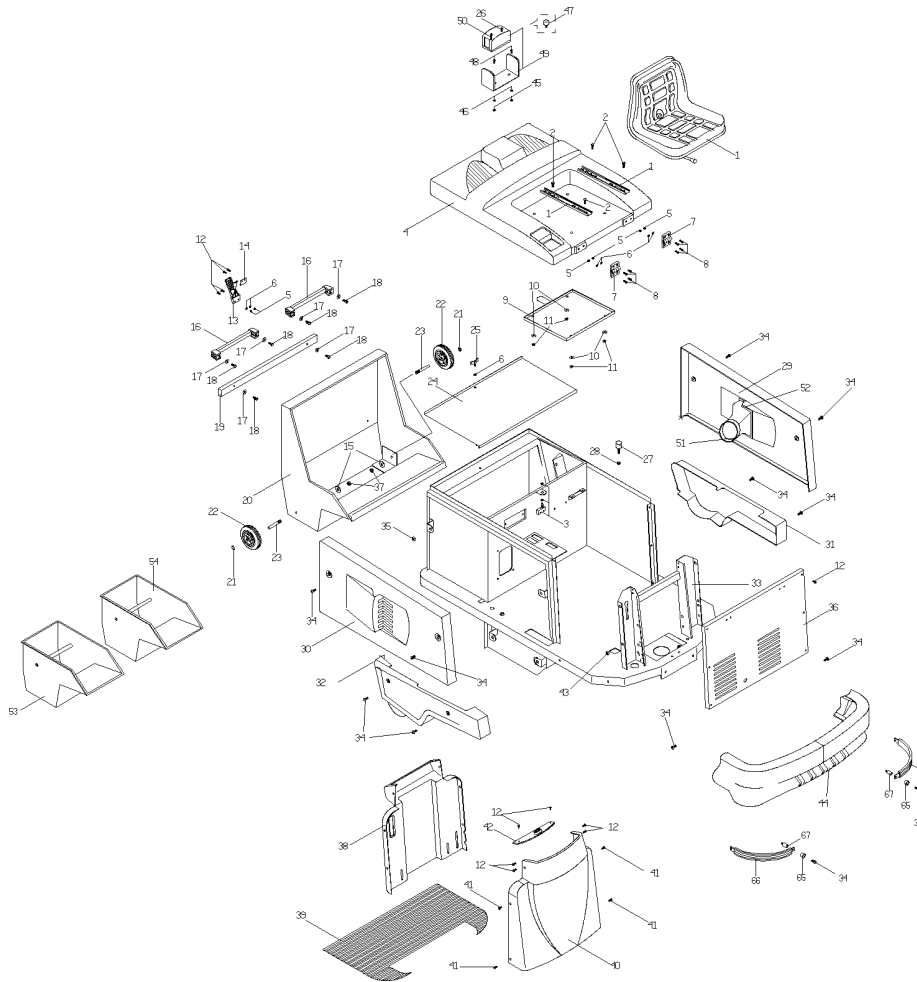
Ref.	K	Part N.	Customer Part N.	Description	Qty	Validity:		Price
						From	To	
0083		TBFX85522		TUBE 5/16 L.1510 25001001	1,00			--
0084		TBFX85523		TUBE 5/16 L.1410 25001002	1,00			--
0085		VTRS00003		WASHER RAME D.14	5,00			--
0086		RCVR00040		SCREW FORATA 3/8"	2,00			--
0087		RCVR00038		SCREW FORATA 9/16" JIC	1,00			--
0088		TBBP87183		L.P. HOSE 840MM	1,00			--
0089		MECB00007		ELECTRI.INSTAL.TK1000S	1,00			--
0090		VTRS00006		WASHER RAME D.20	4,00			--
0091		RCVR00039		SCREW FORATA 3/4" JIC	2,00			--
0092		RCVR00057		CONNECTOR ASPIRAZIONE OLIO ZINC.	1,00			--
0093		VTRS00548		WASHER D.17,5X22X1,5 (3/8)RM	4,00			--
0094		TBBP87182		L.P. HOSE 670MM	1,00			--
0095		RCVR00041		SCREW FORATA M14X1,5	1,00			--
0096		VTDD00498		NUT M12	1,00			--
0097		CMCV87185		CABLE + GU. STARTER TK	1,00			--
0098		LAFN00093		BUSHING DISTANZIALE RUOTA ANT.	1,00			--
0099		CMCV75739		ACCELERATOR TK S	1,00			--
0100		LAFN00659		SUPPORT ACCELERATORE TK1000 ZINC.	1,00			--
0101		CMCV87184		CABLE + GU. TK 1000	1,00			--
0102		MECI87180		SWITCH A CHIAVE	1,00			--



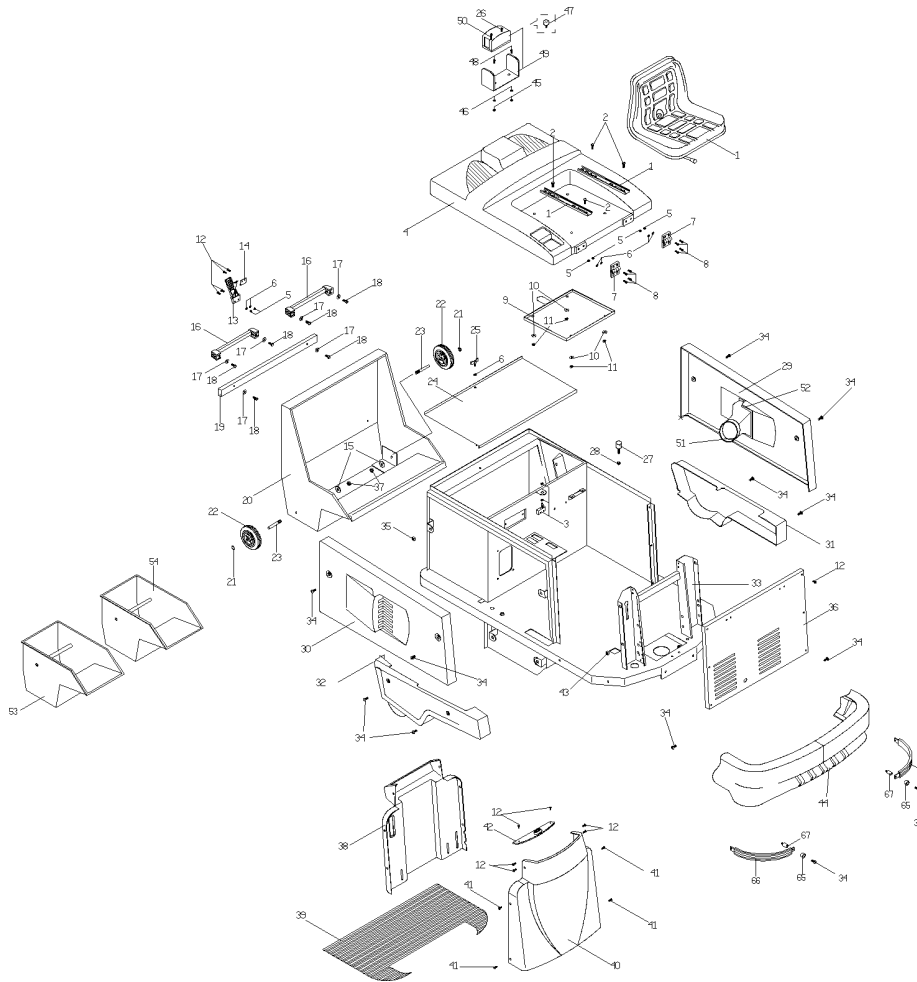
Ref.	K	Part N.	Customer Part N.	Description	Qty	Validity:		Price
						From	To	
0001		PMQE00006		INSTR.PANEL 1000SH COMPL.IMPIAN.ELET.	1,00			--
0002		MEVR85330		KLAXON SW 1000 1180012	2,00			--
0003		MECI87180		SWITCH A CHIAVE	1,00			--
0004		MESB00002		HOUR-COUNTER LCD MOD.700 12-24V	1,00			--
0005		CMCV75739		ACCELERATOR TK S	1,00			--
0006		CMCV87185		CABLE + GU. STARTER TK	1,00			--
0007		ETET00052		LABEL CRUSCOTTO 1000SH-DULEVO-	1,00			--
0008		MEVR00039		FUSE LAMELLARE 20A	4,00			--
0009		BAAC75749		BATTERY 12V 45A X SW1000SC	1,00			--
0010		MEVR00036		OIL WARN-LIGHT VERDE NEUTRA	1,00			--
0011		MECB00007		ELECTRI.INSTAL.TK1000S	1,00			--
0012		MEVR00030		FUSE-HOLDER 4 VIE COPERCHIO TRAS.	1,00			--
0013		METR87144		ADJUSTER X MOTORE HONDA GX160K1	1,00			--
0014		LAFN00707		PEDALE SELEZ.DIREZ.TK1000 VERN.	1,00			--
0015		VTVT45395		SCREW TBEI M 8X 10 ISO 7380 ZB	2,00			--
0016		VTVT00447		SCREW TE 8X25 UNI5739	2,00			--
0017		MECE85524		SWITCH RELAY 12V 47W 1180030	1,00			--
0018		MERL85185		RELAY	1,00			--
0019		VTVT45395		SCREW TBEI M 8X 10 ISO 7380 ZB	2,00			--
0020		LAFN00710		SUPPORT TRASMISSIONE ACCELERATORE	2,00			--
0021		CUVR86373		BEARING 6000 2RS	2,00			--
0022		VTAE13513		CIRCLIP D. 26 UNI 7437	2,00			--
0023		LAFN00711		ARM SELEZIONE DIREZ.1000S ZN	1,00			--
0024		ALTR00020		SHAFT CON BLOCCHET.X SELE.DIREZ	1,00			--
0025		VTVT00481		SCREW EI-ST 8X10 UNI5927	1,00			--
0026		LAFN00232		CONTAINER PORTABATT.TK1000S VERNIC.	1,00			--
0027		RTRT00026		HORN 12V	1,00			--
0028		VTVT85116		SCREW TE FR 6,3X19 ZIN	1,00			--
0029		LAFN47035		PIN CH.10 H.26	1,00			--
0030		MPVR45096		RUBBER V 1201 GR.	1,00			--
0031		LAFN47030		BUSHING L.14	1,00			--
0032		LAFN47019		BUSHING L.14	1,00			--
0033		LAFN47036		PIN BRK.+FLAP L.14	1,00			--
0034		LAFN47031		PIN L.14	1,00			--
0035		VTVT75731		SCREW UNI 5923 6 X5	4,00			--
0036		LAFN00686		PEDALE FRENO TK1000 ZINCATO	1,00			--
0037		MLML75960		SPRING D. 8 X1 X32	1,00			--
0038		LAFN47029		PIN CH.10 H.16	1,00			--
0039		LAFN47032		PEDALE L.14	1,00			--



Ref. K	Part N.	Customer Part N.	Description	Qty	Validity:		Price
					From	To	
0040	VTAE87276		SEEGER EXT. D10 DIN471	2,00			--
0041	LAFN47033		BUSHING L.14	1,00			--
0042	VTVT75725		SCREW TBEI M 6X 10 ISO 7380 ZB	2,00			--
0043	MPVR00739		RUBBER PARAPOLVERE CILIND.STABIL	1,00			--
0044	LAFN87142		BRACKET BILANCIERE ZINCATA	1,00			--
0045	VTRS00504		WASHER D. 8 TE ZC. UNI 6592	2,00			--
0046	VTDD00483		NUT M 8 ZIN UNI 5588	2,00			--



Ref. K	Part N.	Customer Part N.	Description	Qty	Validity:		Price
					From	To	
0001	SESD86492		SEAT CON GUIDE TK1000	1,00			--
0002	VTVT00017		SCREW TE UNI 5739 8X35 ZB	4,00			--
0003	MECI75801		MICROSWITCH TK	1,00			--
0004	MPVR00199		HOOD SUPERIORE 1000SH BIANCO	1,00			--
0005	VTDD00491		NUT M 6 TEF	6,00			--
0006	VTRS04026		WASHER D. 6X18X2.38	7,00			--
0007	CEVR85332		HINGE MEB F D.6 TK	2,00			--
0008	VTVT12255		SCREW TCEI 6X25 UNI5931	8,00			--
0009	LAFN01012		FRAME RINFOR.COFRAN.SUP 1000S NE	1,00			--
0010	VTRS00512		WASHER D. 8 X24 ZC.	4,00			--
0011	VTDD00124		NUT M 8 BASSO	4,00			--
0012	VTVT75726		SCREW TBEI M 6X 16 ISO 7380 ZB	12,00			--
0013	CHVR76642		CLOSURE SW1000	1,00			--
0014	CHVR76643		SUPP.HOLDER	1,00			--
0015	VTRS00505		WASHER D.10 TE UNI 6592	2,00			--
0016	MPVR76044		SHORT HANDLE TK	2,00			--
0017	VTRS63242		WASHER D. 6 X24 ZC	6,00			--
0018	VTVT85116		SCREW TE FR 6,3X19 ZIN	6,00			--
0019	LAFN00328		REINFORCEMENT CASSETTO POST.TK1000 NERO	1,00			--
0020	MPVR48692		DRAWER TK 1000	1,00			--
0021	VTVR26502		HUB CAP D. 15	2,00			--
0022	RTRT00013		WHEEL GOMMA D.125	2,00			--
0023	LAFN00433		WHEEL PIN D.15 L.70,5	2,00			--
0024	LAFN85308		COVER SW 1000 21201003	1,00			--
0025	VTVR00044		WING NUT D.30 M6X20	1,00			--
0026	VTVT00040		SCREW AUTOF.TC UNI6954 3,5X10SP	1,00			--
0027	MPVR75799		FOOT 20x9 M 6x18	1,00			--
0028	VTDD00482		NUT M 6 ZIN UNI 5588	1,00			--
0029	PMVR00212		CRANKCASE LET.SUPER.SX+CONV.ARIA	1,00			--
0030	MPVR00207		CRANKCASE LATER.SUPER.DX -DULEVO-	1,00			--
0031	MPVR87284		CRANKCASE LATERALE SX TK1000S	1,00			--
0032	MPVR87285		CRANKCASE LATERALE DX TK1000S	1,00			--
0033	LAFN01011		FRAME TK1000S NERO RAL9011	1,00			--
0034	VTVT75724		SCREW TBEI M 8X 22 ISO 7380 ZB	12,00			--
0035	VTDD75720		NUT M 8 UNI 3740	10,00			--
0036	LAFN00233		CLOSURE ANTERIORE TELAIO 1000S	1,00			--
0037	VTDD00042		NUT AUT.M10 UNI7474	2,00			--
0038	MPVR00201		CRANKCASE FRONT.INT.1000EH/SH 2SP	1,00			--
0039	MPVR00763		PLANE MILLERIGHE 1000S CON BIAD	1,00			--



Ref. K	Part N.	Customer Part N.	Description	Qty	Validity:		Price
					From	To	
0040	MPVR00202		CRANKCASE FRONTALE BIANCO-DULEVO-	1,00			--
0041	VTVT09916		SCREW TBEI M 6X 20 ISO 7380 ZB	4,00			--
0042	MPVR00204		INSTR.PANEL GRIGIO 1000SH	1,00			--
0043	VTDD00013		NUT INGABBIATO UNI 3740 M6	12,00			--
0044	MPVR00206		BUMPER GRIGIO 1000EH-SH	1,00			--
0045	VTDD01678		NUT M 5 UNI 5588	2,00			--
0046	VTRS00502		WASHER D. 5 0.466 UNI 6592	2,00			--
0047	MEVR00009		LAMP 12V/5W	1,00			--
0048	VTVT00033		SCREW TBCE ISO 7380 5X20 ZB	2,00			--
0049	KTRI00103		LAMP FLASH 24V ORANGE	1,00			--
0050	VTVT00037		SCREW AUTOF.TC UNI 6954 3,5X19	1,00			--
0051	MPVR00741		RUBBER GUARN.CONV.AR.164X160X75	1,00			--
0052	MPVR00211		CONVEYOR ARIA 1000SH -DULEVO-	1,00			--
0053	PMVR00209		DRAWER INTERNO DX TK1000 COMPL.	1,00			--
0054	PMVR00210		DRAWER INTERN.SX TK1000 COMPL.	1,00			--
0065	MPVR00080		BUSHING FISSAGGIO PARACOLPI	2,00			--
0067	LAFN00472		PIN FISSAG.PARACOLPI L.38	2,00			--