



IPC Integrated Professional Cleaning

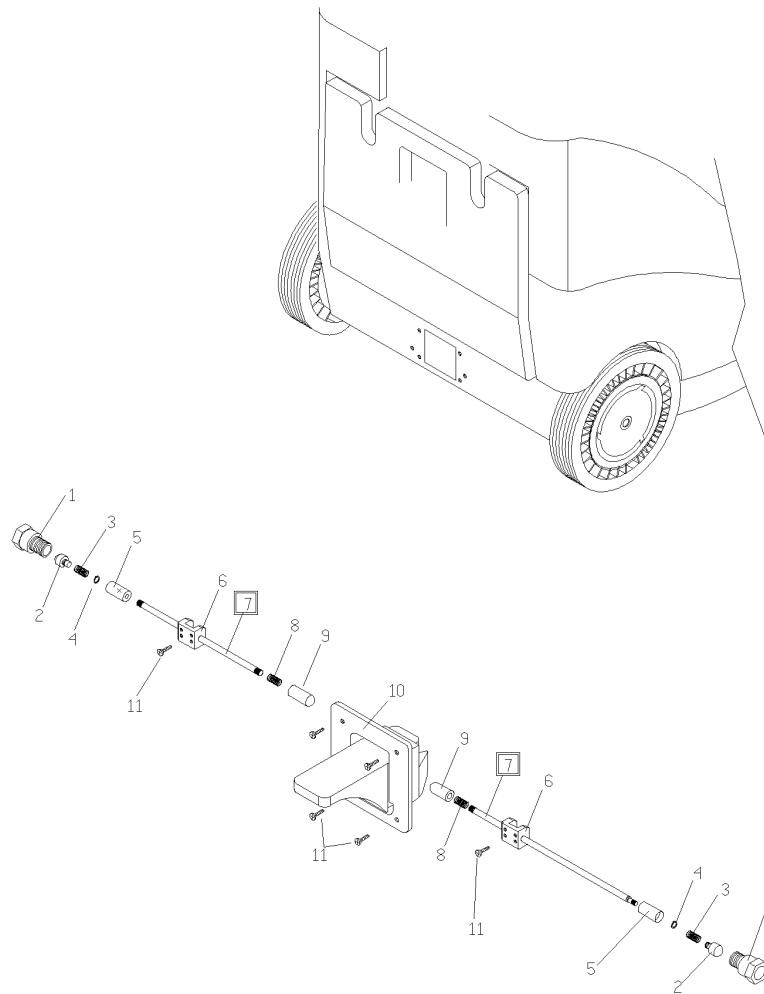
**IPC**Gansow

## **Spare Parts List**

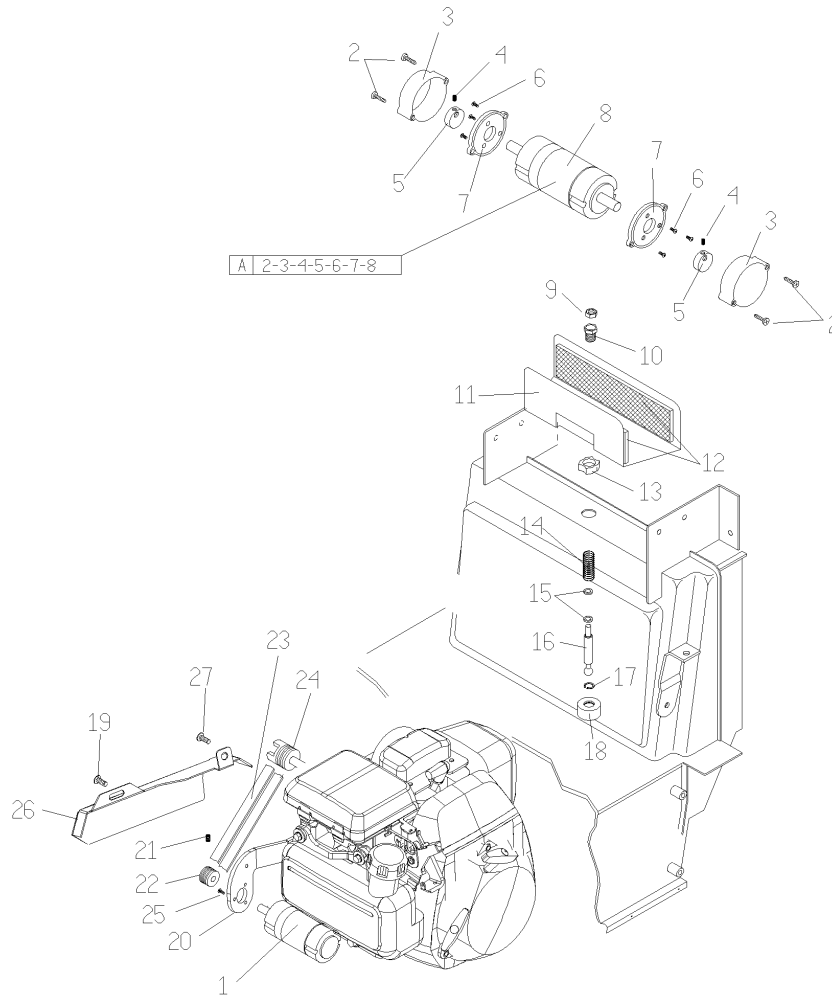
**TAVERNARO AG**

**Ref: MSUT00268**

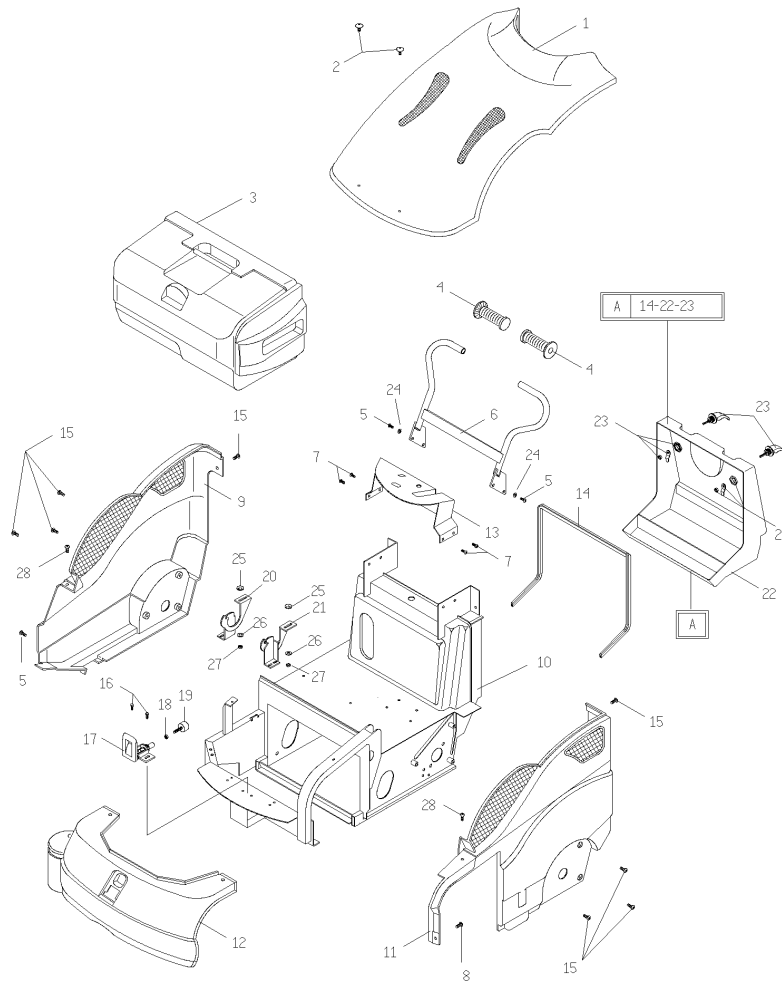
**Model: Spazzatrice 710ST gr/arg SF      IPC**



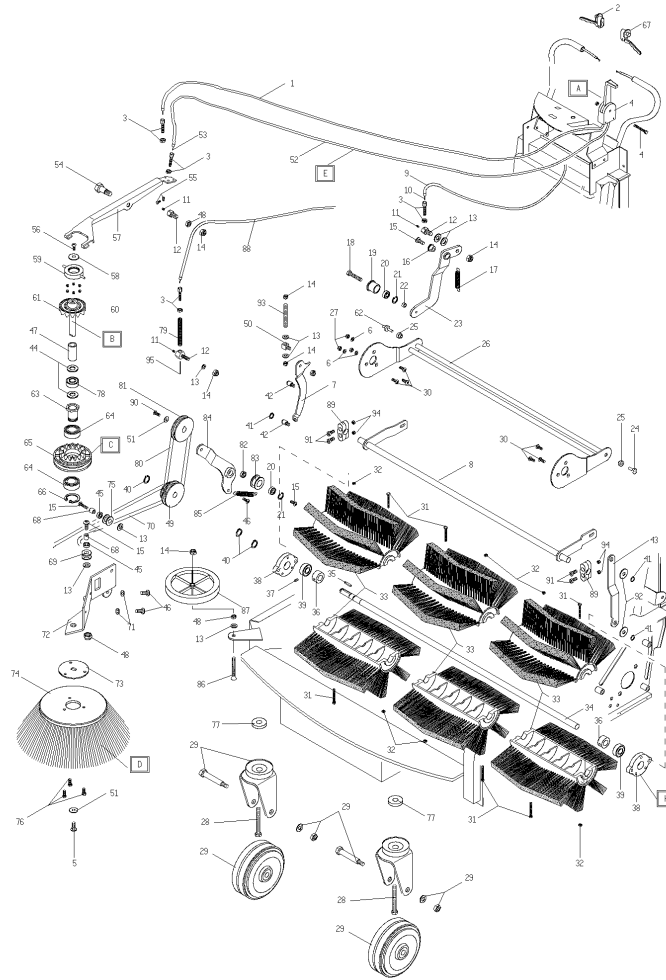
Ref. K	Part N.	Customer Part N.	Description	Qty	Validity:		Price
					From	To	
0001	LAFN00335		RING NUT X PERNO GUIDA FRENO STAZ.	2,00			--
0002	LAFN00460		PIN BLOCC.RUOTA FRENO STAZ.	2,00			--
0003	MLML00012		SPRING COMPRES.X FRE.STAZ.L.23zb	2,00			--
0004	VTAE48552		CIRCLIP D. 6 UNI 7435	2,00			--
0005	LAFN00071		BUSHING PORTAMOLLA FRENO DI STAZ.	2,00			--
0006	LAFN00072		BLOCK GUIDA PERNO INN.FRENO	2,00			--
0007	LAFN00458		PIN INNESTO FRENO DI STAZION.	2,00			--
0008	MLML00011		SPRING COMPRES.X FRE.STAZ.L.46zb	2,00			--
0009	LAFN00461		PIN SPINTA X FRENO STAZION.	2,00			--
0010	PMVR00160		PEDALE FRENO	1,00			--
0011	VTVT00045		SCREW AUTOF.TC UNI 6954 4,8X16	6,00			--



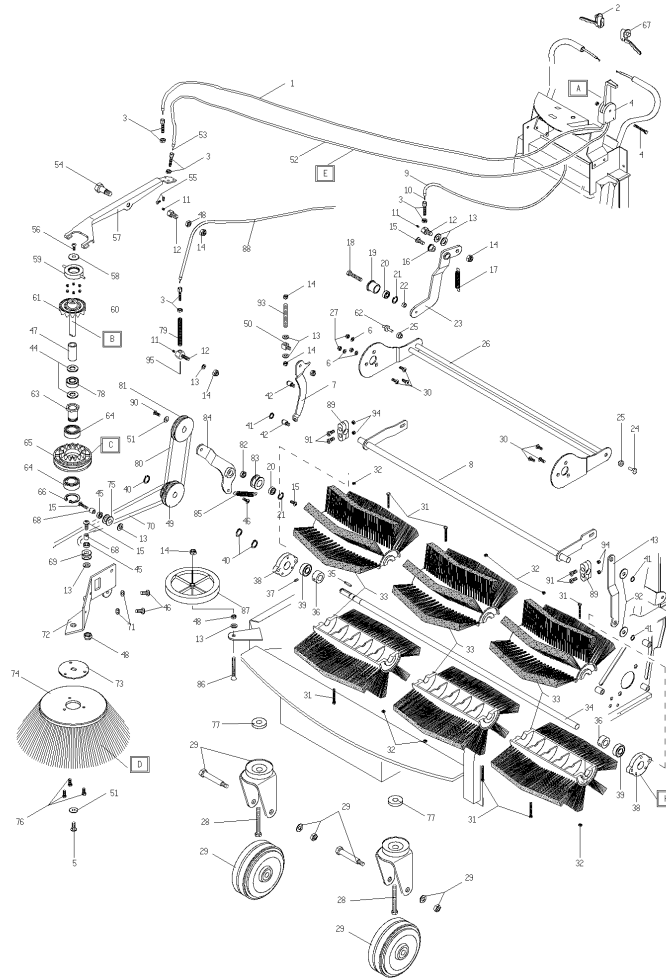
Ref.	K	Part N.	Customer Part N.	Description	Qty	Validity:		Price
						From	To	
0001		MOCC85526		MOTOR 12V	1,00			--
0002		VTVT47138		SCREW TSP-TC 3,9X32 ZC. UNI6955	4,00			--
0003		LAFN47139		MOTOR COVER L.14 FILT.	2,00			--
0004		VTVT75731		SCREW UNI 5923 6 X5	2,00			--
0005		LAFN47140		BUSHING L.14	2,00			--
0006		VTVT76616		SCREW M 4x18 STEAM GUN	6,00			--
0007		MFVR47141		FLANGE MOTOR L.14	2,00			--
0008		MOCC85526		MOTOR 12V	1,00			--
0009		VTDD00008		NUT UNI 5589 M10 BASSO ZB	1,00			--
000A		MOCC85140		MOTOR 12V CC	1,00			--
0010		ABGO00012		VIBRATION DAMP.PER SCUOTIFILTRO	1,00			--
0011		LAFN00676		SUPPORT MOTORE X SCUOTIF.E VERN.	1,00			--
0012		MPVR00728		GASKET PROTEZ.MOTORE SCUOTIFILT	2,00			--
0013		LAFN36319		RING NUT M25X1.5-10.3	1,00			--
0014		MLML85610		SPRING TK2205017	1,00			--
0015		GUGO19260		O-RING D. 8 X 1 NBR 70SH	2,00			--
0016		LAFN00428		PIN D.15 H.78 A SFERA SCUOT.	1,00			--
0017		VTAE00007		SEEGER INTERNO DIN 472 D.16	1,00			--
0018		LAFN00417		ARTICULATED BARTK500/700	1,00			--
0019		VTVT00527		SCREW TE FR 6x10 ZB ZIGRINATE	1,00			--
0020		LAFN06802		BRACKET PORTA MOTORE ALTERNATORE	1,00			--
0021		VTVT87456		SCREW UNI 5923 5x6	1,00			--
0022		MTPL87478		PULLEY POLY TK	1,00			--
0023		MTCG00123		BELT	1,00			--
0024		FGGT00031		JOINT	1,00			--
0025		VTVT00474		SCREW TSCE uni 5933 4x12 ZB	3,00			--
0026		LAFN06797		CRANKCASE CINGHIA	1,00			--
0027		VTVT01546		SCREW TE 5x16"x7/8"x24 UNF 8.8	1,00			--



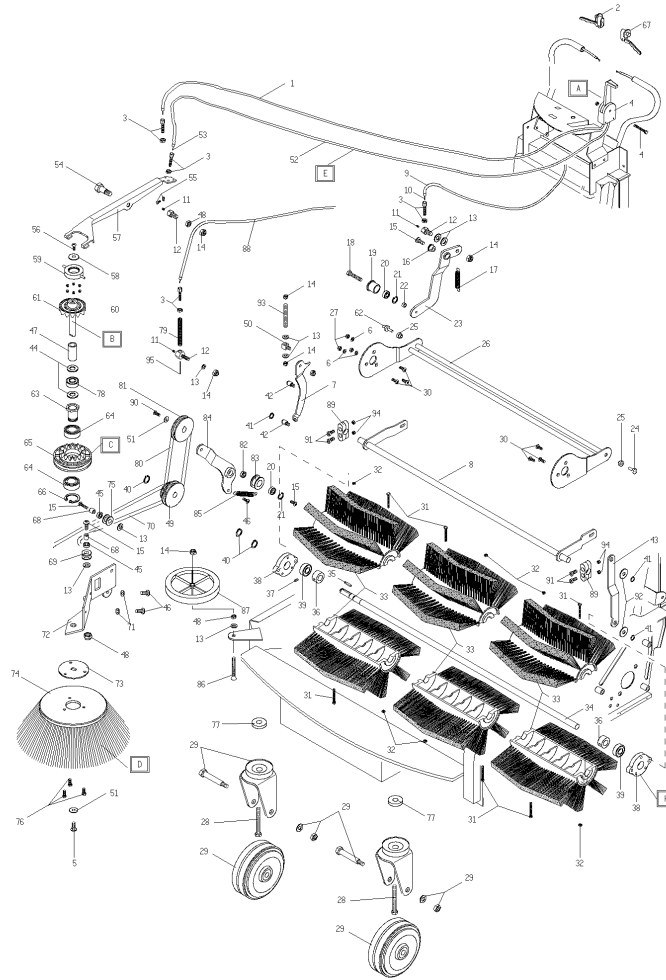
Ref.	K	Part N.	Customer Part N.	Description	Qty	Validity:		Price
						From	To	
0001		MPVR00613		HOOD SUP.SILVER 710S ARG+GRIGL	1,00			--
0002		PMVR00142		BOSS FISSAG.COFANO SUP.COMPL	2,00			--
0003		PMVR00380		DRAWER ANTER.SILVER 710 COMPLETO	1,00			--
0004		MPVR75750		BLACK KNOB	2,00			--
0005		VTVT87271		SCREW TBEI M 8X 16 ISO 7380	3,00			--
0006		LAFN00415		HANDLE SILVER 510/710 VERNICIATO	1,00			--
0007		VTVT75726		SCREW TBEI M 6X 16 ISO 7380 ZB	2,00			--
0008		VTVT00040		SCREW AUTOF.TC UNI6954 3,5X10SP	1,00			--
0009		MPVR00606		CRANKCASE LAT.DX SILVER GRIG+GRIGL	1,00			--
000A		PMVR00382		DRAWER POSTER.SILVER 710 COMPL.	1,00			--
0010		LAFN01053		FRAME SILVER 710 GRIG.RAL7024	1,00			--
0011		MPVR00605		CRANKCASE LAT.SX SILVER GRIG+GRIGL	1,00			--
0012		MPVR00604		CRANKCASE FRONTALE SILVER 710 GRIG.	1,00			--
0013		LAFN00879		INSTR.PANEL 510-710/520-720/540-740S	1,00			--
0014		GUGO00285		GASKET TK1320048	1,70			--
0015		VTVT45395		SCREW TBEI M 8X 10 ISO 7380 ZB	8,00			--
0016		VTVT62920		SCREW TE F/ROND. M 6X 16 ZB	2,00			--
0017		PMVR00141		LEVER CHIUSURA CASS.ANT.SILVER	1,00			--
0018		VTDD00057		NUT UNI 5589 M8 BASSO ZB	1,00			--
0019		VTVR00038		FOOT D.30 M8	1,00			--
0020		PMVR00139		HINGE COFANO ANTER.510/710 DX	1,00			--
0021		PMVR00140		HINGE COFANO ANT.510/710 SX	1,00			--
0022		MPVR00608		DRAWER POSTERIORE SILVER 710 GRI	1,00			--
0023		PMVR00138		LOCK TEK	2,00			--
0024		VTRS00504		WASHER D. 8 TE ZC. UNI 6592	2,00			--
0025		LAFN00190		BUSHING CON BOMBATURA ESTERNA	2,00			--
0026		LAFN00191		BUSHING CON BOMBATURA INTERNA	2,00			--
0027		VTDD13261		NUT M 8X1 UNI 5589	2,00			--
0028		VTVT85745		SCREW TBEI M 6X 25 ISO 7380 ZB	2,00			--



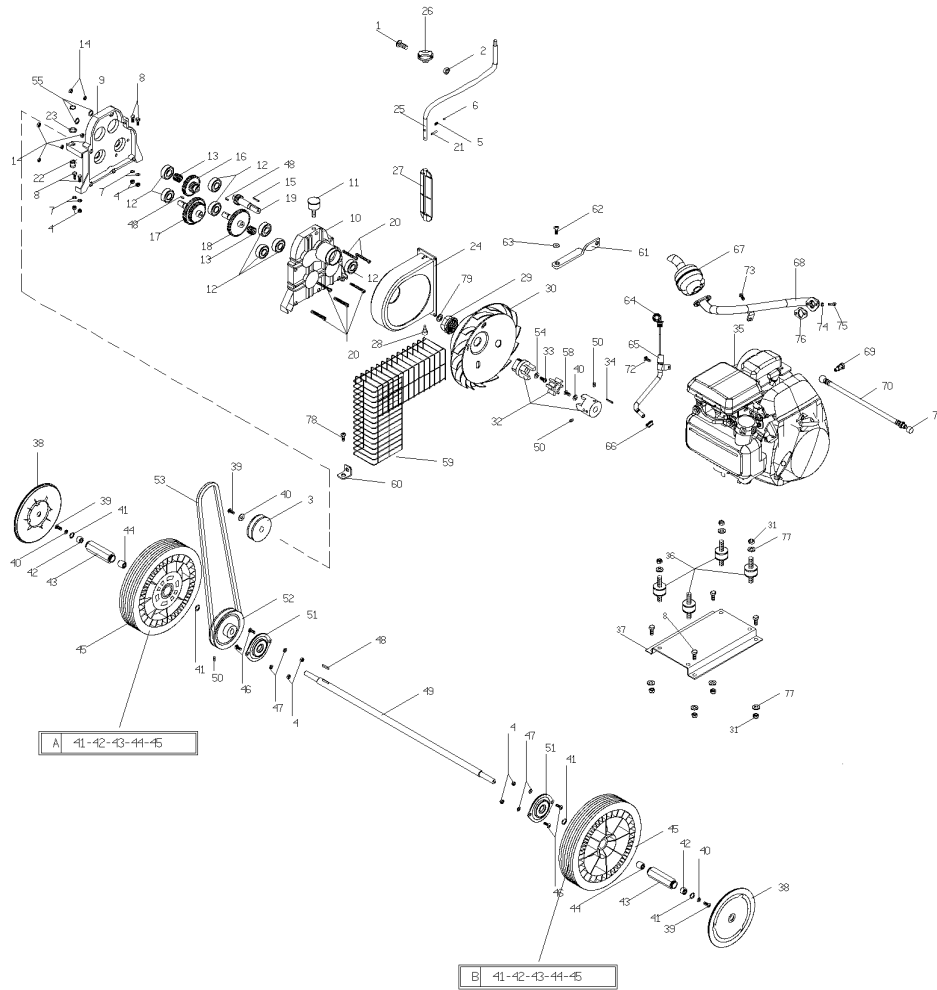
Ref.	K	Part N.	Customer Part N.	Description	Qty	Validity: From To	Price
0001		CMCV75902		SIDE BR. SHEATHTK500E/S	1,00		--
0002		PMTR00088		HANDLE TRAZ.K E TK NUOVO MAN.COM	1,00		--
0003		CMCV75723		REGISTER D.7	4,00		--
0004		LAFN75738		TRIGGER	1,00		--
0005		VTVT62920		SCREW TE F/ROND. M 6X 16 ZB	1,00		--
0006		VTRS00503		WASHER D. 6 TE UNI 6798	3,00		--
0007		LAFN00368		BRACKET REGOL.SPazz.CENTR.FOR.ZN	1,00		--
0008		LAFN00192		BALANCER ALZA SPAZZOLA 710/720/740	1,00		--
0009		CMCV75898		TRACT.SHEATH	1,00		--
000A		LAFN85519		TRIGGER SW 510	1,00		--
000B		MTIG85321		RING SW 500TK	1,00		--
000C		PMVR00403		RING DENTATO FOLLE TK COMPLETO	1,00		--
000D		PMVR00248		SIDE-BRUSH TK COMPLETA PPL 70	1,00		--
000E		CMCV85333		SHEATH 2310262	1,00		--
000H		LAFN76052		SUPPORT D.80 dx/sx C/CUSC.SW700	1,00		--
0010		CMCV00021		CABLE TRAZIONE L.1120	1,00		--
0011		VTVT87456		SCREW UNI 5923 5x6	3,00		--
0012		LAFN01068		SCREW CH.17 H.28 FISSAGGIO FILO	3,00		--
0013		VTRS00504		WASHER D. 8 TE ZC. UNI 6592	8,00		--
0014		VTDD00124		NUT M 8 BASSO	6,00		--
0015		VTVT75727		SCREW 8 X 25 TBCE Z.B.	4,00		--
0016		MPVR75836		BUSHING NYLON TK	1,00		--
0017		MLML75960		SPRING D. 8 X1 X32	1,00		--
0018		VTVT76018		SCREW	1,00		--
0019		MTPL37338		PULLEY L.50TE	1,00		--
0020		CUVR71988		BEARING 608 2RS	1,00		--
0021		VTAE87082		SEEGER INTERNO DIN 472 D.22	1,00		--
0022		LAFN75909		SPACER D.12 H.3.5	1,00		--
0023		LAFN00345		BRACKET TENDICINGHIA TKS ZINCATA	1,00		--
0024		LAFN76019		PIN D.15 H.25 TK	1,00		--
0025		LAFN75834		BUSHING	2,00		--
0026		LAFN00042		BALANCER TK700 K701 ZINCATO	1,00		--
0027		VTDD00491		NUT M 6 TEF	3,00		--
0028		VTVT00028		SCREW TE UNI 5739 12X45 ZB	2,00		--
0029		RTRT24661		TURNING WHEEL D.100 NTR	2,00		--
0030		VTVT00061		SCREW TSCE UNI 5933 6X20 ZB	6,00		--
0031		VTVT22102		SCREW TCEI 5X70 UNI5931	6,00		--
0032		VTDD01678		NUT M 5 UNI 5588	6,00		--
0033		SPPV00049		BRUSH	3,00		--



Ref.	K	Part N.	Customer Part N.	Description	Qty	Validity:		Price
						From	To	
0034		ALTR75825		BRUSH SHAFT CENTRALE SW	1,00			--
0035		VTVR26559		KEY 5X5X15	1,00			--
0036		LAFN00258		SPACER ALBERO SPAZZOLA TK700	2,00			--
0037		VTVT75731		SCREW UNI 5923 6 X5	2,00			--
0038		LAFN76052		SUPPORT D.80 dx/sx C/CUSC.SW700	2,00			--
0039		CUVR00008		BEARING 6003 2RS	2,00			--
0040		VTAE17003		CIRCLIP D. 15 UNI 7435	3,00			--
0041		VTAE14016		CIRCLIP D. 12 UNI 7435	4,00			--
0042		LAFN75971		PIN	2,00			--
0043		LAFN00368		BRACKET REGOL.SPAZZ.CENTR.FOR.ZN	1,00			--
0044		VTRS75831		WASHER	2,00			--
0045		CUVR75814		BEARING HK1012	2,00			--
0046		VTVT45395		SCREW TBEI M 8X 10 ISO 7380 ZB	3,00			--
0047		LAFN75912		SPACER	1,00			--
0048		VTDD13261		NUT M 8X1 UNI 5589	2,00			--
0049		MTPL75987		PULLEY 70X28X17	1,00			--
0050		LAFN00046		BLOCK REGOLAZ.SPAZZ.CENTRAL.	1,00			--
0051		VTRS63242		WASHER D. 6 X24 ZC	1,00			--
0052		CMCV75901		SIDE BR. SHEATHK701BY/PT TK500E	1,00			--
0053		CMCV75903		SIDE BRUSH CAB.TK500 L.2450+MORS.	1,00			--
0054		LAFN75968		PIN	1,00			--
0055		CMCV75737		CLAMP D.7 art.857	1,00			--
0056		VTVT75724		SCREW TBEI M 8X 22 ISO 7380 ZB	1,00			--
0057		LAFN75953		LEVER	1,00			--
0058		VTRS00513		WASHER D. 8 X32 P.	1,00			--
0059		LAFN75824		RING	1,00			--
0060		SFVR00002		BALL 11/32"	6,00			--
0061		LAFN75826		RING	1,00			--
0062		LAFN75972		PIN	1,00			--
0063		LAFN75833		BUSHING	1,00			--
0064		CUVR86893		BEARING 6005 2RS	2,00			--
0065		LAFN75827		RING	1,00			--
0066		VTAE09655		CIRCLIP D. 25 UNI 7435	1,00			--
0067		PMTR00089		HANDLE TRAZ.K E TK NUOVO MAN.COM	1,00			--
0068		LAFN75840		BUSHING D.10x15.6	2,00			--
0069		MTPL75996		PULLEY D.27x15	1,00			--
0070		MTCG85335		BELT D. 8X1000	1,00			--
0071		VTRS00512		WASHER D. 8 X24 ZC.	2,00			--
0072		LAFN76005		SUPPORT	1,00			--

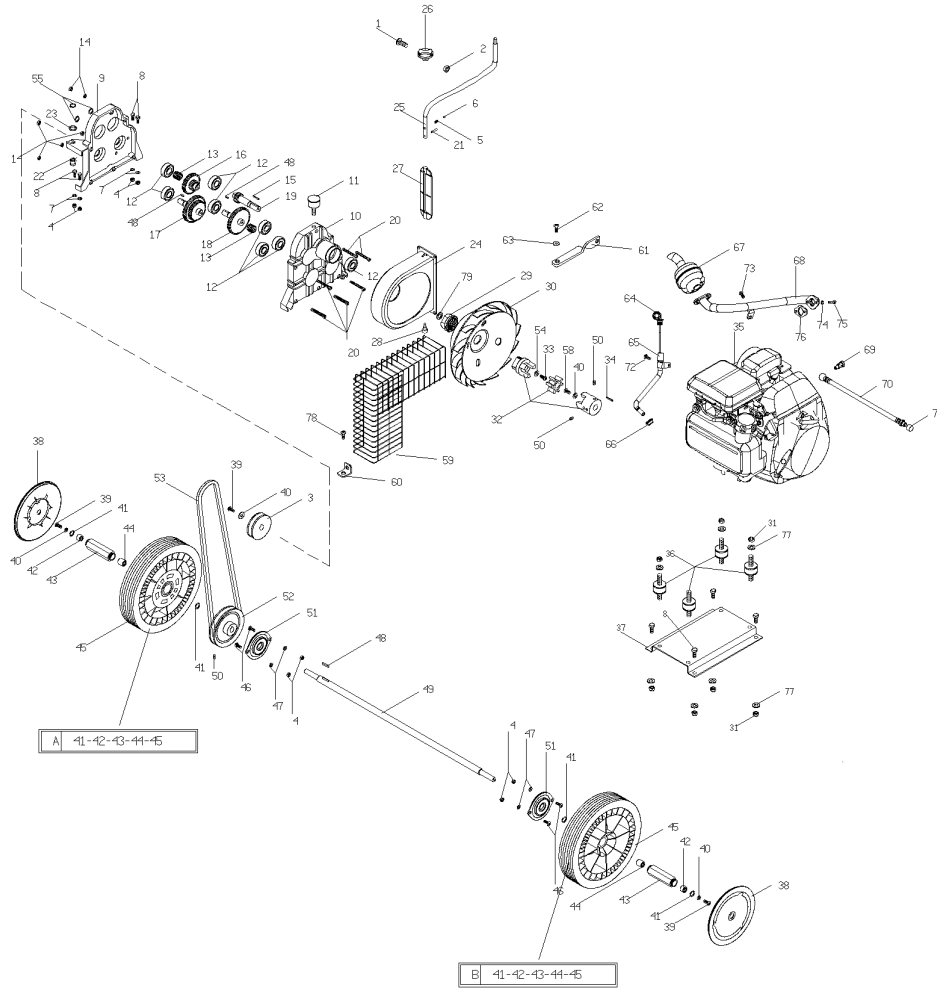


Ref.	K	Part N.	Customer Part N.	Description	Qty	Validity:		Price
						From	To	
0073	LAFN75986			FLANGE	1,00			--
0074	SPPV76057			SIDE-BRUSH D.380 PPL 0.6	1,00			--
0075	MTPL75997			PULLEY D.30x15	1,00			--
0076	VTVT75719			SCREW TE F/ROND. M 6 X 10	3,00			--
0077	LAFN75910			SPACER	2,00			--
0078	CUVR37344			ROLLER BEARING HK 1412	1,00			--
0079	MLML00033			SPRING ALZAFLAP SILVER ZB	1,00			--
0080	MTCG17129			BELT SPZ 737	1,00			--
0081	MTPL75995			PULLEY TK NEW	1,00			--
0082	LAFN75911			SPACER D.12 h.7	1,00			--
0083	MTPL75994			ROLLER h.17	1,00			--
0084	LAFN00350			BRACKET TENDICING.SPAZ.CENTR.ZINC	1,00			--
0085	MLML75961			SPRING D. 16 L.80	1,00			--
0086	VTVT01577			SCREW M 8x40 TSPEI ZINC.	1,00			--
0087	RTRT00011			WHEEL D.150 GRI/NR PARAC.SILVER	1,00			--
0088	CMCV85517			CABLE SW 540/740	1,00			--
0089	MPVR00807			SUPPORT BRACCIO REGOL.SPAZZ.	2,00			--
0090	VTVT75725			SCREW TBEI M 6X 10 ISO 7380 ZB	1,00			--
0091	VTVT12255			SCREW TCEI 6X25 UNI5931	4,00			--
0092	VTRS00506			WASHER D.12 UNI 6592	4,00			--
0093	LAFN00430			PIN REGOLAZ.SPAZZ.CENTR.TKS	1,00			--
0094	VTDD19688			NUT M6 UNI 7473	4,00			--
0095	CMCV85517			CABLE SW 540/740	1,00			--

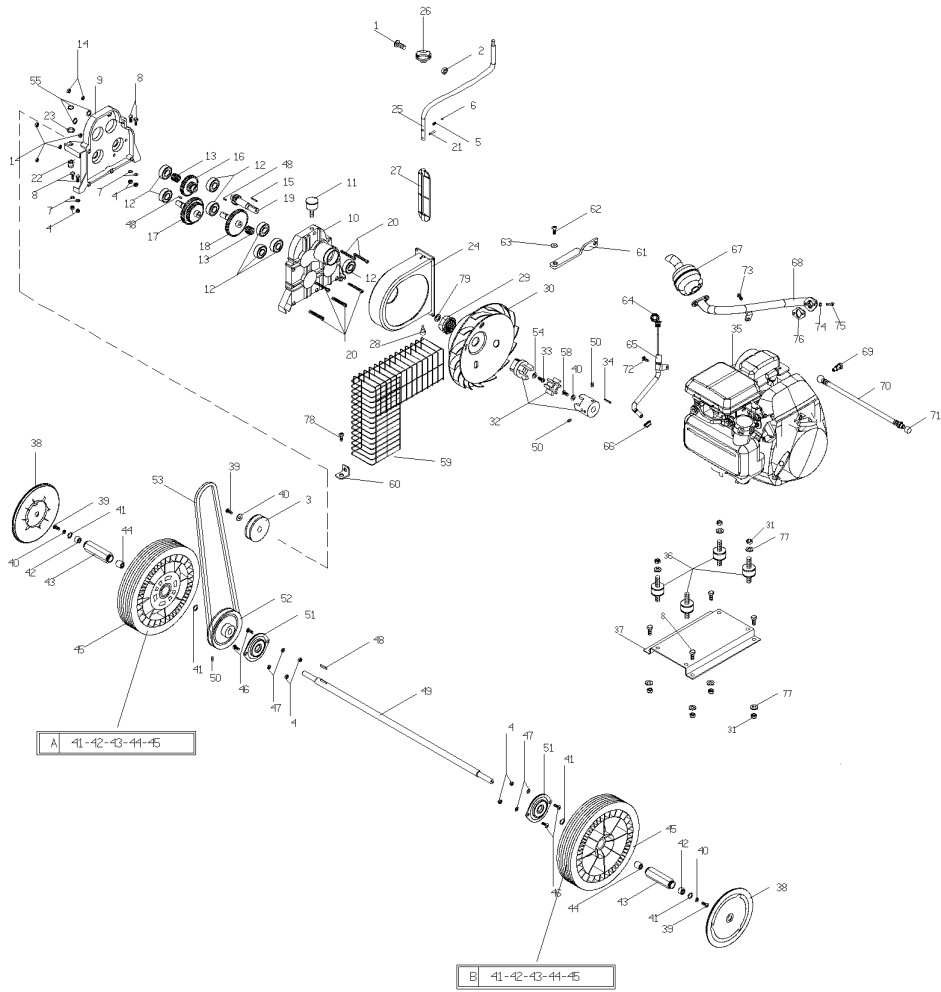


Ref.	K	Part N.	Customer Part N.	Description	Qty	Validity: From To	Price
0001		VTVT00033		SCREW TBCE ISO 7380 5X20 ZB	1,00		--
0002		VTDD01678		NUT M 5 UNI 5588	1,00		--
0003		MTPL76660		PULLEY SW500ST	1,00		--
0004		VTDD00491		NUT M 6 TEF	8,00		--
0005		MLML00009		SPRING FERMO FARFAL.COCL.NAYL.GZ	1,00		--
0006		SFVR75755		BALL D. 5	1,00		--
0007		VTRS04026		WASHER D. 6X18X2.38	4,00		--
0008		VTVT62920		SCREW TE F/ROND. M 6X 16 ZB	8,00		--
0009		MEVR75957		COVER	1,00		--
000A		PMTR00060		WHEEL D.250 DX COMPL.NERA-GRIG.	1,00		--
000B		PMTR00058		WHEEL D.250 SX COMPL.NERA-GRIG.	1,00		--
0010		MFVR75958		BODY	1,00		--
0011		VTVR00036		GREASE-NIPPLE STAUFF PER RIDUTTORE	1,00		--
0012		CUVR00005		BEARING 6202 2RS	8,00		--
0013		MPVR75734		THICKNESS D.15X22X0.5	6,00		--
0014		VTDD00482		NUT M 6 ZIN UNI 5588	6,00		--
0015		VTVR13165		KEY 5X5X20	1,00		--
0016		MTIG75993		GEAR	1,00		--
0017		MTIG75992		GEAR	1,00		--
0018		MTIG75991		GEAR	1,00		--
0019		ALTR75828		GEARING SHAFT	1,00		--
0020		VTVT63029		SCREW TCEI M 6X 35 UNI 5931 ZB	6,00		--
0021		VTVR00012		ELASTIC PLUG DIN1481 5X16	1,00		--
0022		LAFN75839		GUIDE	1,00		--
0023		VTRS86383		WASHER 15X28 UNI6592	1,00		--
0024		MPVR00438		SCROLL NAYLON	1,00		--
0025		CMCV00048		CABLE APERT.FARFAL.710/20/30/40	1,00		--
0026		MPVR75884		KNOB NYLON	1,00		--
0027		MPVR75882		VALVE NYLON	1,00		--
0028		LAFN75835		BUSHING D.40 H.30	1,00		--
0029		LAFN75835		BUSHING D.40 H.30	1,00		--
0030		VEVR85323		IMPELLER D.230 SW500STHO 1290009	1,00		--
0031		VTDD00124		NUT M 8 BASSO	8,00		--
0032		FGGT00033		JOINT GC135	1,00		--
0033		VTVT00061		SCREW TSCE UNI 5933 6X20 ZB	1,00		--
0034		VTVR01032		KEY UNI 6604 8X7X18	1,00		--
0035		MOSC00025		ENGINE MOTOR HONDA GC135 QH-P7-SD 4HP	1,00		--
0036		ABGO00040		VIBRATION DAMP.MM30X15 M8X14+M8X30 40SH	4,00		--
0037		LAFN06801		SUPPORT MOTORE	1,00		--

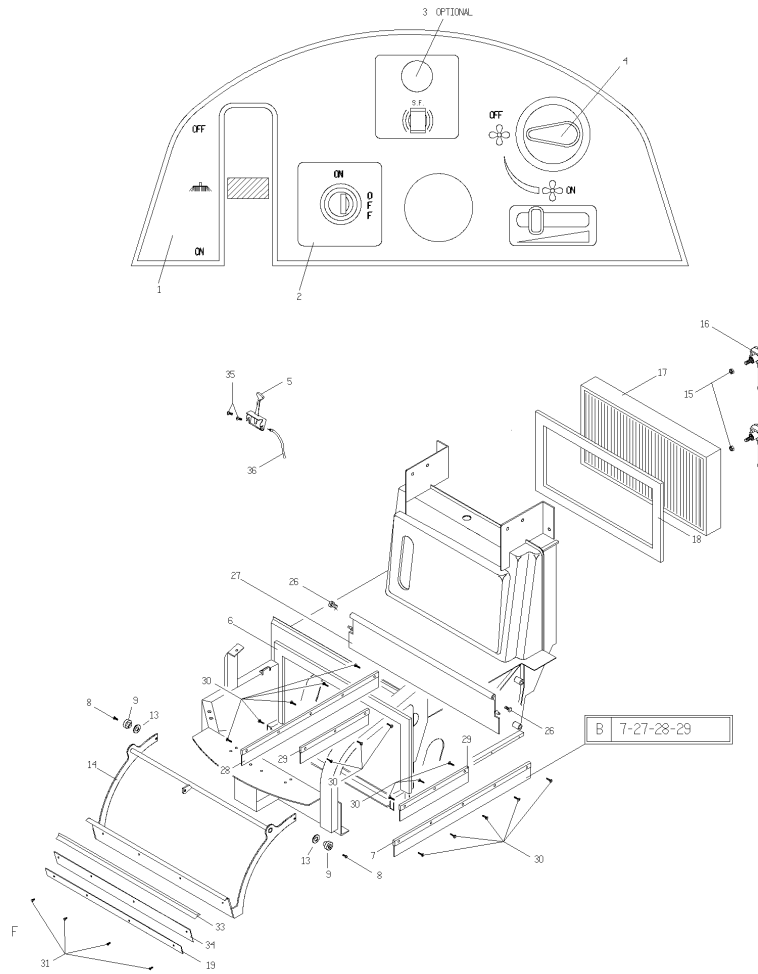




Ref. K	Part N.	Customer Part N.	Description	Qty	Validity: From To	Price
0038	MPVR48834		GREY HUB CAP D.200 TK	2,00		--
0039	VTVT75725		SCREW TBEI M 6X 10 ISO 7380 ZB	2,00		--
0040	VTRS63242		WASHER D. 6 X24 ZC	2,00		--
0041	VTAE28493		CIRCLIP D. 28 UNI 7435	4,00		--
0042	CUVR37341		ROLLER BEARING HFL 1426	2,00		--
0043	LAFN75838		BUSHING	2,00		--
0044	CUVR37344		ROLLER BEARING HK 1412	2,00		--
0045	RTRT00030		WHEEL GOMMA D.250X55 NE CERC.GR	2,00		--
0046	VTVT75721		SCREW TTDE UNI 5732 6 X 16 ZB	4,00		--
0047	VTRS00503		WASHER D. 6 TE UNI 6798	4,00		--
0048	VTVR26559		KEY 5X5X15	2,00		--
0049	ALTR00006		TRACTION SHAFT TK 700 H.866,2	1,00		--
0050	VTVT86570		GRUB SCREW M 6x10 UNI 5927	3,00		--
0051	CUVR75815		SUPPORT SBPFL 203	2,00		--
0052	MTPL37340		PULLEY 112-1Z L.TE	1,00		--
0053	MTCG00003		BELT Z 29,5	1,00		--
0054	LAFN85747		FLANGE TK2150024	1,00		--
0055	VTAE17003		CIRCLIP D. 15 UNI 7435	3,00		--
0058	VTVT01546		SCREW TE 5x16"x7/8"x24 UNF 8.8	1,00		--
0059	LAFN48830		PROTECTION RED.	1,00		--
0060	MPVR86579		SUPPORT TK	1,00		--
0061	LAFN00877		BRACKET FISSAG.GRIGLIA ZINCATA	1,00		--
0062	VTVT75726		SCREW TBEI M 6X 16 ISO 7380 ZB	1,00		--
0063	VTRS00503		WASHER D. 6 TE UNI 6798	1,00		--
0064	TBBP00383		ROD LIVELLO OLIO	1,00		--
0065	LAFN06796		TUBE ASTA LIVELLO OLIO	1,00		--
0066	MPVR04911		RUBBER ASTA LIVELLO OLIO	1,00		--
0067	MRSC00070		SILENCER HD COMPLETA	1,00		--
0068	LAFN06804		TUBE SCARICO COMPLETO	1,00		--
0069	RCVR00714		CONNECTOR M12X1,5	1,00		--
0070	TBBP00384		TUBE SCARICO OLIO	1,00		--
0071	RCVR00585		CAP 3/8"	1,00		--
0072	VTVT00527		SCREW TE FR 6x10 ZB ZIGRINATE	1,00		--
0073	VTVT63129		SCREW TE F/ROND. M 8X16 ZB	1,00		--
0074	VTRS00025		WASHER GROWER UNI 1751 6X11 ZB	2,00		--
0075	VTVT00006		SCREW TE UNI 5739 6X16 ZB	2,00		--
0076	GUVR00267		GASKET motore Honda 11381-zl0-00	1,00		--
0077	VTRS00504		WASHER D. 8 TE ZC. UNI 6592	8,00		--
0078	VTVT00093		SCREW TBCE ISO 7380 6X12 ZB	1,00		--



Ref. K	Part N.	Customer Part N.	Description	Qty	Validity:		Price
					From	To	
0079	LAFN47020		THICKNESS D.15X22X1.0	1,00			--



Ref. K	Part N.	Customer Part N.	Description	Qty	Validity:		Price
					From	To	
0001	ETET00132		LABEL CRUSC.510/710S 520/720S	1,00			--
0002	MECI75806		SWITCH CH. BENZ.	1,00			--
0003	MEVR85330		KLAXON SW 1000 1180012	1,00			--
0004	MPVR75884		KNOB NYLON	1,00			--
0005	CMCV75739		ACCELERATOR TK S	1,00			--
0006	KTRI00011		MOUSSE KIT ADES.30X15 CASS.ANTER.710	1,00			--
0007	MPVR00776		FLAP LAT.SX SILVER 510/710 NER	1,00			--
0008	VTVT75724		SCREW TBEI M 8X 22 ISO 7380 ZB	2,00			--
0009	LAFN00188		BUSHING OTTONE BRAC.ALZAFL.SILVER	2,00			--
0013	VTRS00512		WASHER D. 8 X24 ZC.	2,00			--
0014	LAFN00077		BALANCER ALZAFLAP SILVER 710 ZINC.	1,00			--
0015	VTDD00483		NUT M 8 ZIN UNI 5588	2,00			--
0016	PMVR00383		HANDLE BLOCCAGGIO FILTRO SILVER	2,00			--
0017	FTDP85299		FILTER SW 740/741	1,00			--
0018	KTRI75931		FOAM KIT 15X5 TK	1,00			--
0019	LAFN00332		CLAMP GOMMA ALZAFLAP 700	1,00			--
0026	VTVT47025		SCREW TBEI M 10X 16 ISO 7380 ZB	2,00			--
0027	MPVR86168		RUBBER FLAP TK 700 TK2160062	1,00			--
0028	MPVR75922		RUBBER TK500/700	1,00			--
0029	MPVR75927		RUBBER FLAP	2,00			--
0030	VTVT01295		SCREW 3,5X9,5 TS80 UNI 6955 ZB	16,00			--
0031	VTVT00040		SCREW AUTOF.TC UNI6954 3,5X10SP	4,00			--
0033	MPVR00732		RUBBER ALZAFLAP SERIE 700	1,00			--
0034	MPVR48757		RUBBER FLAP TK 700	1,00			--
0035	VTVT00005		SCREW TE FR 5X12 ZB	2,00			--
0036	CMCV86577		ACCELERATOR TK2125023	1,00			--