



**IPC Integrated Professional Cleaning**

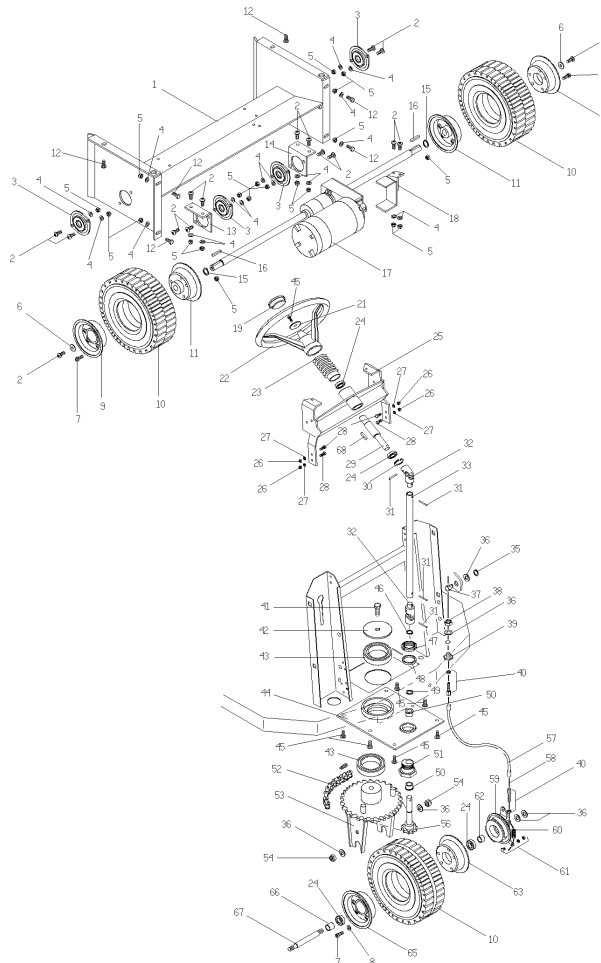
**IPC Gansow**

## **Spare Parts List**

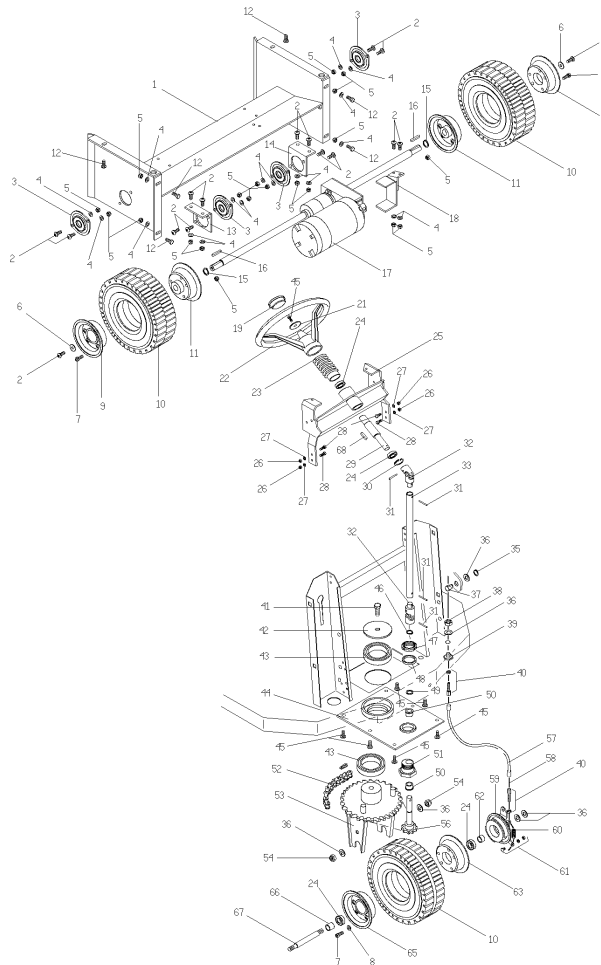
**TAVERNARO AG**

**Ref: MSUB00237**

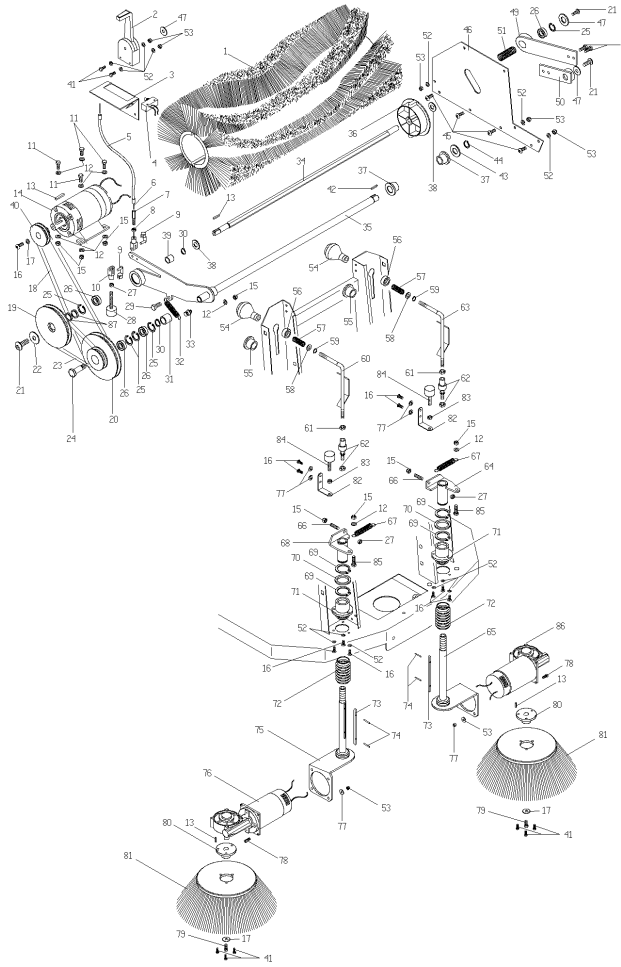
**Model: Spazzatrice 1010 E Gri/Arg 2SP      IPC**



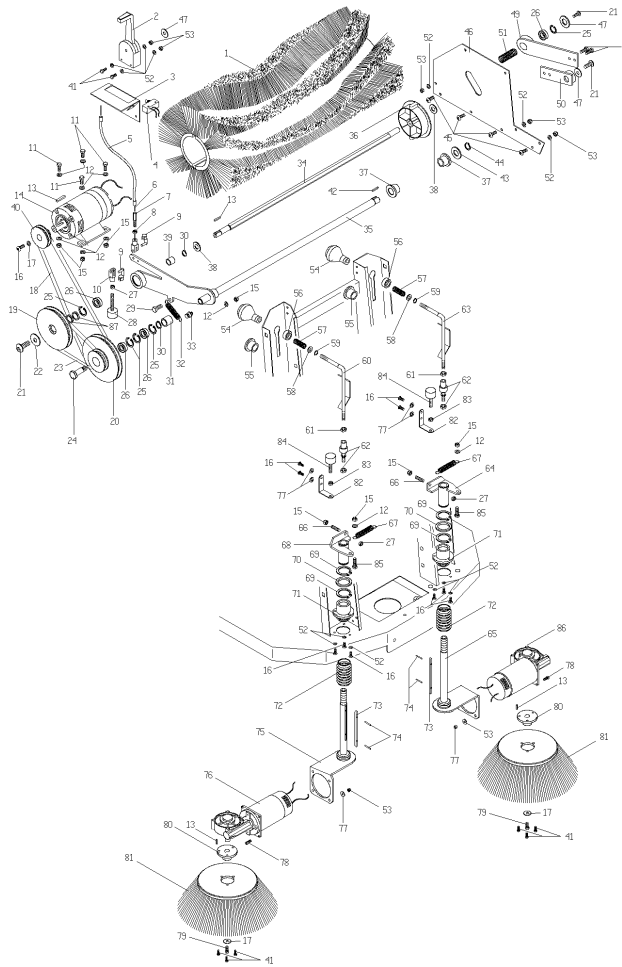
Ref.	K	Part N.	Customer Part N.	Description	Qty	Validity: From To	Price
0001		LAFN00688		SHAFT BEARER POSTERIORE TK1000 NERO	1,00		--
0002		VTVT75724		SCREW TBEI M 8X 22 ISO 7380 ZB	16,00		--
0003		LAFN87166		SUPPORT	4,00		--
0004		VTRS00504		WASHER D. 8 TE ZC. UNI 6592	18,00		--
0005		VTDD00124		NUT M 8 BASSO	28,00		--
0006		VTRS00513		WASHER D. 8 X32 P.	2,00		--
0007		VTVT29810		SCREW TCEI M 8X20 UNI 5931	15,00		--
0008		VTRS01080		WASHER D. 8 GRW	5,00		--
0009		LAFN85380		HUB SW 1000E/S 22501005	2,00		--
0010		KTRI75744		REAR WHEELS TK1000	3,00		--
0011		LAFN85289		HUB SW 1000 22501003	2,00		--
0012		VTVT63129		SCREW TE F/ROND. M 8X16 ZB	6,00		--
0013		LAFN00687		BRACKET SOST.ASSALE POST.DX/SX	1,00		--
0014		LAFN00687		BRACKET SOST.ASSALE POST.DX/SX	1,00		--
0015		VTAE13512		CIRCLIP D. 17 UNI 7435	2,00		--
0016		VTVR16617		KEY 6X 6X30 UNI 6604	2,00		--
0017		MOCC76645		MOTOR.GEARBOX MRP4D 24 V 400W SW1000	1,00		--
0018		LAFN00696		BRACKET SOSTEGNO MOTORID.1000E ZN	1,00		--
0019		MPVR47026		BLACK CAP L.14	1,00		--
0021		VTRS44254		WASHER D.10 X40X2.5 UNI6593	1,00		--
0022		MPVR47027		STEERING WHEEL D. 320 L.14	1,00		--
0023		MPVR47066		PROTECTOR L.14	1,00		--
0024		CUVR00005		BEARING 6202 2RS	4,00		--
0025		LAFN00697		SUPPORT CRUSCOTTO TK1000E ZINCATO	1,00		--
0026		VTDD00491		NUT M 6 TEF	4,00		--
0027		VTRS04026		WASHER D. 6X18X2.38	4,00		--
0028		VTVT62920		SCREW TE F/ROND. M 6X 16 ZB	4,00		--
0029		ALTR00011		SHAFT PER VOLANTE TK1000	1,00		--
0030		VTAE17002		CIRCLIP D. 35 UNI 7437	1,00		--
0031		VTVR46987		ELASTIC PLUG 5X25 UNI 6873	4,00		--
0032		VTVR47021		ARTICULATION D. 5-15	2,00		--
0033		PMTR00021		SHAFT STERZO 1000 T.NUOVO COMPL	1,00		--
0035		VTAE14016		CIRCLIP D. 12 UNI 7435	1,00		--
0036		VTRS00506		WASHER D.12 UNI 6592	6,00		--
0037		LAFN75973		PIN FLAP TK	1,00		--
0038		VTDD01682		NUT M12 ZC UNI 5588	1,00		--
0039		LAFN75975		PIN TK	1,00		--
0040		CMCV75723		REGISTER D.7	2,00		--
0041		VTVT75716		SCREW TE UNI 5739 16 X 20 ZB	1,00		--



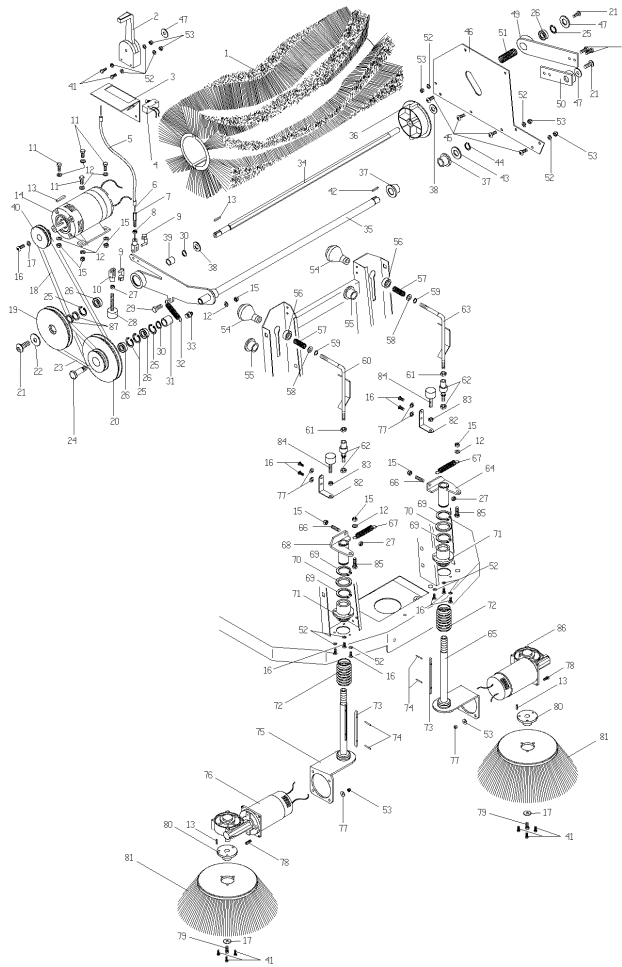
Ref.	K	Part N.	Customer Part N.	Description	Qty	Validity:		Price
						From	To	
0042		LAFN75917		FLANGE	1,00			--
0043		CUVR75816		BEARING 51112	2,00			--
0044		LAFN85521		FLANGE SW1000 21501004	1,00			--
0045		VTVT47025		SCREW TBEI M 10X 16 ISO 7380 ZB	7,00			--
0046		VTAE17003		CIRCLIP D. 15 UNI 7435	1,00			--
0047		VTVR75747		RING NUT AUTOBLOK M 35 X 1,5 GUK	1,00			--
0048		LAFN75913		SPACER TK	1,00			--
0049		MPVR75734		THICKNESS D.15X22X0.5	1,00			--
0050		LAFN75841		BUSHING TK 1000	1,00			--
0051		LAFN75842		BUSHING TK 1000	1,00			--
0052		MTCR85008		CHAIN SWEEP 1000 ET	1,00			--
0053		LAFN87165		SUPPORT	1,00			--
0054		VTDD00012		NUT AUTOBLOK DIN 985 M12 ZB	2,00			--
0056		KTRI46514		PIN TK 1000 + BUSCH.	1,00			--
0057		CMCV75904		BRAKE SHEATH TK 1000E/S	1,00			--
0058		CMCV85320		CABLE D.2,5 L.760 21251003	1,00			--
0059		LAFN86483		BRAKE ANT.D.90 TK1000	1,00			--
0060		MLML75964		SPRING D. 11,3 X100 X1,5 TK	1,00			--
0061		VTVR00029		CLAMP FRENO ART.7056	1,00			--
0062		LAFN00265		SPACER RUOTA ANT.LATO FRENO 1000	1,00			--
0063		LAFN85291		HUB SW 1000 22501002	1,00			--
0065		LAFN85290		HUB SW 1000 22501004	1,00			--
0066		LAFN00264		SPACER RUOTA ANTERIORE TK1000	1,00			--
0067		LAFN87163		PIN	1,00			--
0068		VTVR33667		KEY 5x 5x25 UNI 6604A	1,00			--



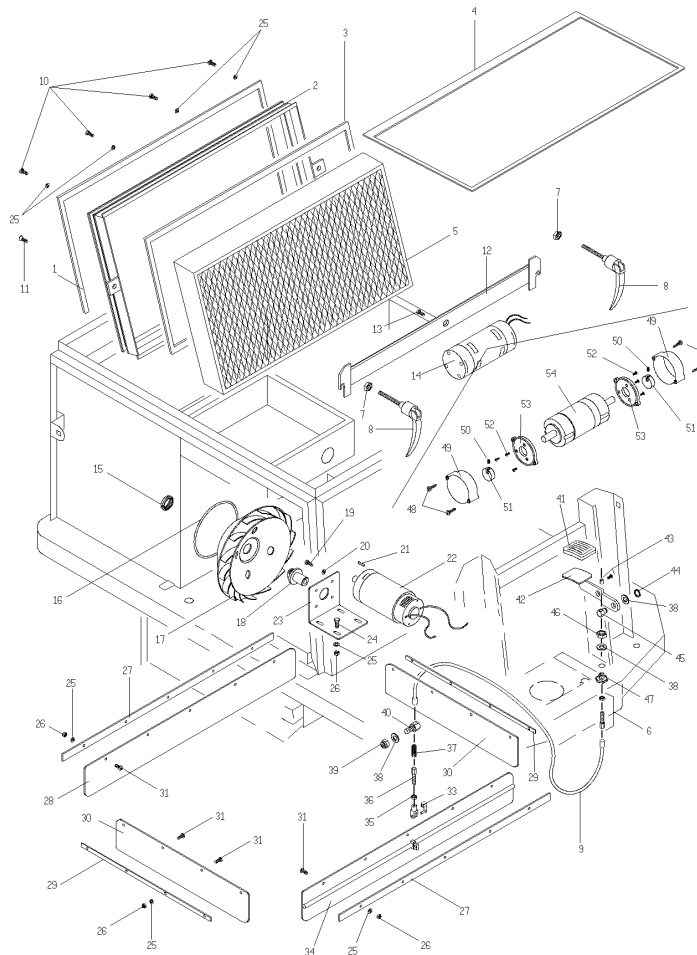
Ref.	K	Part N.	Customer Part N.	Description	Qty	Validity:		Price
						From	To	
0001		SPPV75791		CENTRAL BRUSH D.280 X680 SW1000 PPL	1,00			--
0002		LAFN75738		TRIGGER	1,00			--
0003		LAFN00684		SUPPORT ALZASPAZ.CENTR.1000E VERN	1,00			--
0004		MECI75801		MICROSWITCH TK	1,00			--
0005		CMCV76657		SHEATH X CABLE X SW1000	1,00			--
0006		CMCV75906		CABLE D.1.8 SW1000ET/SC	1,00			--
0007		LAFN76659		PIN	1,00			--
0008		VTDD86871		NUT M7 UNI5589	1,00			--
0009		CMCV75718		CLIP UNI 1676 M8	2,00			--
0010		CMCV00001		FORK UNI 1676 M8X16	1,00			--
0011		VTVT00017		SCREW TE UNI 5739 8X35 ZB	4,00			--
0012		VTRS00504		WASHER D. 8 TE ZC. UNI 6592	10,00			--
0013		VTVR13165		KEY 5X5X20	3,00			--
0014		MOCC87164		MOTOR MP80 5/2 24V 3500G	1,00			--
0015		VTDD00124		NUT M 8 BASSO	7,00			--
0016		VTVT75726		SCREW TBEI M 6X 16 ISO 7380 ZB	6,00			--
0017		VTRS63242		WASHER D. 6 X24 ZC	1,00			--
0018		MTCG75774		BELT D.8 SV. 710	1,00			--
0019		MTPL75998		PULLEY SW1000	1,00			--
0020		MTPL75999		PULLEY SWEPP1000ET	1,00			--
0021		VTVT75724		SCREW TBEI M 8X 22 ISO 7380 ZB	3,00			--
0022		VTRS00513		WASHER D. 8 X32 P.	1,00			--
0023		MTCG75775		BELT D. 10 SV. 710	1,00			--
0024		LAFN00465		PIN FISSAG.PULEGGIA RINVIO	1,00			--
0025		VTAE17002		CIRCLIP D. 35 UNI 7437	5,00			--
0026		CUVR00005		BEARING 6202 2RS	4,00			--
0027		VTDD00483		NUT M 8 ZIN UNI 5588	2,00			--
0028		ABGO26555		VIBRATION DAMP.30X20- 1M10X20 -60+5SH	1,00			--
0029		VTVT63129		SCREW TE F/ROND. M 8X16 ZB	1,00			--
0030		VTAE17003		CIRCLIP D. 15 UNI 7435	3,00			--
0031		LAFN00091		BUSHING PER PULEGGIA TRAINO	1,00			--
0032		MLML87162		SPRING D. 17X150 X 2	1,00			--
0033		LAFN00464		PIN MOLLA RITORN.SPAZZ.CENTR.	1,00			--
0034		ALTR75829		BRUSH SHAFT TK1000	1,00			--
0035		LAFN00080		BALANCER TK1000 ALAZA SPAZZOLA ZIN	1,00			--
0036		LAFN76064		FLANGE	2,00			--
0037		MPVR85319		BUSHING SW1000 NYL 21101013	2,00			--
0038		VTRS86383		WASHER 15X28 UNI6592	2,00			--
0039		MPVR76647		BUSHING SW1000	1,00			--



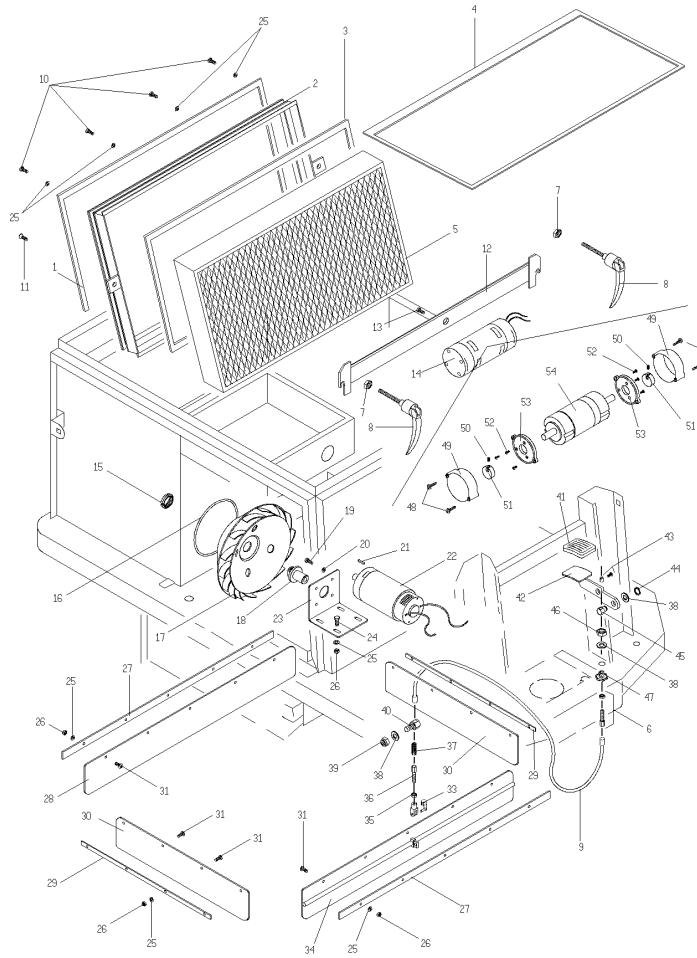
Ref.	K	Part N.	Customer Part N.	Description	Qty	Validity: From To	Price
0040		MTPL00014		PULLEY ALBERO MOTORE TK1000	1,00		--
0041		VTVT62920		SCREW TE F/ROND. M 6X 16 ZB	5,00		--
0042		VTVR28706		KEY 6X 6X20 UNI 6604A	1,00		--
0043		VTRS00509		WASHER D.20 PIANA Z. UNI6592	1,00		--
0044		VTAE06193		CIRCLIP D. 20 UNI 7435	1,00		--
0045		VTVT75721		SCREW TTDE UNI 5732 6 X 16 ZB	4,00		--
0046		LAFN00231		SHEET METAL PA.CHIUSURA VANO SPAZ.TK1000	1,00		--
0047		VTRS00512		WASHER D. 8 X24 ZC.	3,00		--
0048		VTVT00011		SCREW TE UNI 5739 8X10 ZB	2,00		--
0049		LAFN00698		ARM BLOCCA SPAZ.CENTR.TK1000	1,00		--
0050		LAFN00699		CLAMP BRACCIO BLOC.SPAZZ.TK1000	1,00		--
0051		MLML75963		SPRING	1,00		--
0052		VTRS00503		WASHER D. 6 TE UNI 6798	10,00		--
0053		VTDD00491		NUT M 6 TEF	10,00		--
0054		MPVR47077		KNOB L.14	2,00		--
0055		MPVR47076		BUSHING L.14 EXT.	2,00		--
0056		MPVR47074		BUSHING L.14 INT.	2,00		--
0057		MLML47075		SPRING D.15X 24 X1.5	2,00		--
0058		VTRS00505		WASHER D.10 TE UNI 6592	2,00		--
0059		VTAE87276		SEEGER EXT. D10 DIN471	2,00		--
0060		LAFN00700		ARM DX ALZA SPAZ. TK1000 ZINC	1,00		--
0061		VTDD00484		NUT M10 ZIN UNI 5588	2,00		--
0062		VTVR47072		ARTICULATION AS M10	2,00		--
0063		LAFN87265		ARM ALZASP.LAT.SX TK1000 ZN	1,00		--
0064		LAFN00701		GUIDE ALBERO SPAZ.LAT.SX 1000E	1,00		--
0065		LAFN87286		MOTOR SUPPORT SX SPAZZOLA LAT.	1,00		--
0066		VTVT00046		GRUB SCREW UNI 5923 8X35 ZB	2,00		--
0067		MLML00015		SPRING RIT.BR.LAT.D.19X3,25X57zb	2,00		--
0068		LAFN00693		GUIDE ALBERO SPAZ.LAT.DX 1000E	1,00		--
0069		VTAE12644		CIRCLIP D. 30 UNI 7435	4,00		--
0070		LAFN47081		SPACER L.14	2,00		--
0071		LAFN00695		FLANGE DI SUPPOR.SPAZ.LAT.1000E	2,00		--
0072		MPVR47066		PROTECTOR L.14	2,00		--
0073		VTVR47065		KEY 6X 6X130 UNI 6604	2,00		--
0074		VTVR00009		ELASTIC PLUG DIN 1481 3X20	4,00		--
0075		LAFN00694		MOTOR SUPPORT DX SPAZZOLA LAT.1000E ZN	1,00		--
0076		RDGR75784		MOTOR.GEARBOX AOMP140 24V TK1000	1,00		--
0077		VTRS04026		WASHER D. 6X18X2.38	12,00		--
0078		VTVT06237		SCREW TCEI 6X20 UNI5931	8,00		--



Ref.	K	Part N.	Customer Part N.	Description	Qty	Validity:		Price
						From	To	
0079		VTVT75719		SCREW TE F/ROND. M 6 X 10	2,00			--
0080		LAFN45010		FLANGE L.1400 LT.	2,00			--
0081		SPPV75790		SIDE-BRUSH D.400 PPL BK. D.0.7	2,00			--
0082		MPVR86579		SUPPORT TK	2,00			--
0083		VTDD00482		NUT M 6 ZIN UNI 5588	2,00			--
0084		MPVR75799		FOOT 20x9 M 6x18	2,00			--
0085		VTVT63129		SCREW TE F/ROND. M 8X16 ZB	2,00			--
0086		RDGR75785		MOTOR.GEARBOX AOMP140 24V 90W SX	1,00			--
0087		LAFN47020		THICKNESS D.15X22X1.0	2,00			--

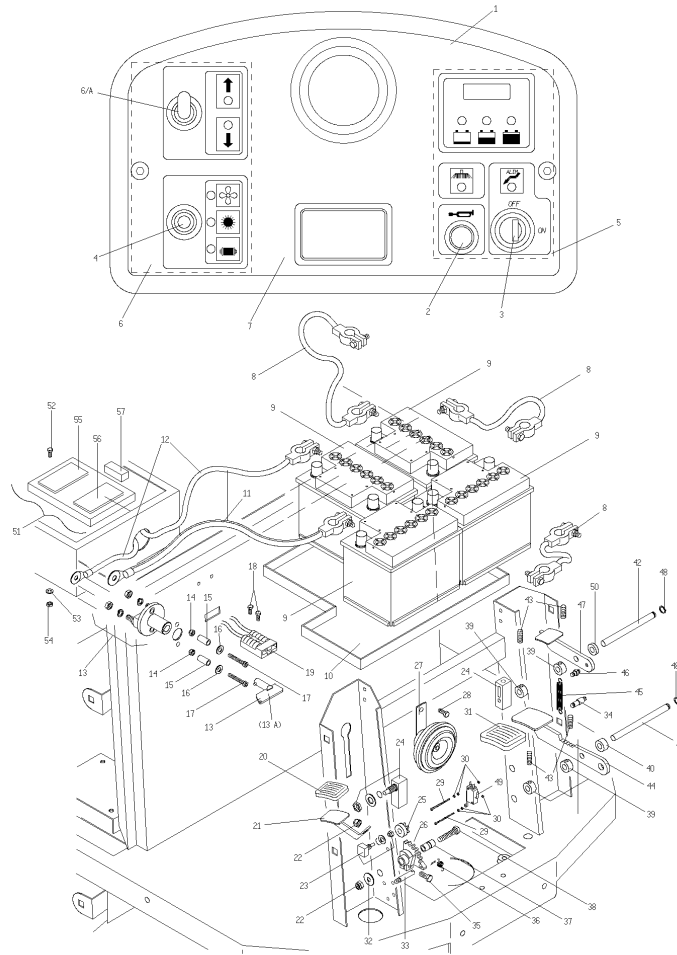


Ref. K	Part N.	Customer Part N.	Description	Qty	Validity: From To	Price
0001	GUVR86026		GASKET P. SW1000	1,00		--
0002	LAFN01014		FRAME PORTA FILTRO TK1000 VIBR.	1,00		--
0003	MPVR86606		KIT KIT GUARN.MOUSSE FILTRO	1,00		--
0004	MPVR86607		KIT KIT GUARN.MOUSSE FILTRO	1,00		--
0005	FTDP76067		FILTER SW1000	1,00		--
0006	CMCV75723		REGISTER D.7	1,00		--
0007	VTDD13261		NUT M 8X1 UNI 5589	2,00		--
0008	PMVR00215		HANDLE BLOCCAGGIO FILTR. 1000E-S	2,00		--
0009	CMCV75905		SHEATH X CABLE	1,00		--
0010	VTVT75726		SCREW TBEI M 6X 16 ISO 7380 ZB	8,00		--
0011	VTVT13515		SCREW TSPEI M6x16 UNI5933 10.9	2,00		--
0012	LAFN00720		MOTOR SUPPORT S/FILTRO TK1000 NUOVO VER	1,00		--
0013	VTVT47143		SCREW TSPEI M 10X 16 ZC UNI5933	1,00		--
0014	MOCC45112		MOTOR 24V CC ECC.	1,00		--
0015	LAFN36319		RING NUT M25X1.5-10.3	1,00		--
0016	GUGO00032		GASKET FORO VENTOLA TK1000	1,00		--
0017	VEVR85323		IMPELLER D.230 SW500STHO 1290009	1,00		--
0018	MPVR87161		BUSHING TK	1,00		--
0019	VTVT00005		SCREW TE FR 5X12 ZB	4,00		--
0020	VTRS00291		WASHER D. 5 X20 ZC UNI 6593	4,00		--
0021	VTVR29979		KEY 4X4X15	1,00		--
0022	MOCC86902		MOTOR 24V -180W 2700G MP56L	1,00		--
0023	LAFN00690		MOTOR SUPPORT VENTOLA TK1000 ZINCATO	1,00		--
0024	VTVT62920		SCREW TE F/ROND. M 6X 16 ZB	4,00		--
0025	VTRS04026		WASHER D. 6X18X2.38	26,00		--
0026	VTDD00491		NUT M 6 TEF	18,00		--
0027	LAFN86529		CLAMP FLAP	2,00		--
0028	MPVR75934		RUBBER FLAP TK1000	1,00		--
0029	LAFN00305		CLAMP FLAP DX/SX TK1000 NERO	2,00		--
0030	MPVR75936		RUBBER FLAP DX/SX TK1000	2,00		--
0031	VTVT75721		SCREW TTDE UNI 5732 6 X 16 ZB	14,00		--
0033	CMCV75717		CLIP UNI 1676 M6	1,00		--
0034	MPVR75935		RUBBER FLAP TK1000	1,00		--
0035	VTDD00482		NUT M 6 ZIN UNI 5588	1,00		--
0036	CMCV45110		CORD D. 2.5 FLAP L.14	1,00		--
0037	MLML75962		SPRING	1,00		--
0038	VTRS00506		WASHER D.12 UNI 6592	3,00		--
0039	VTDD00012		NUT AUTOBLOK DIN 985 M12 ZB	1,00		--
0040	LAFN75976		SPRING GUIDE TK 1000	1,00		--

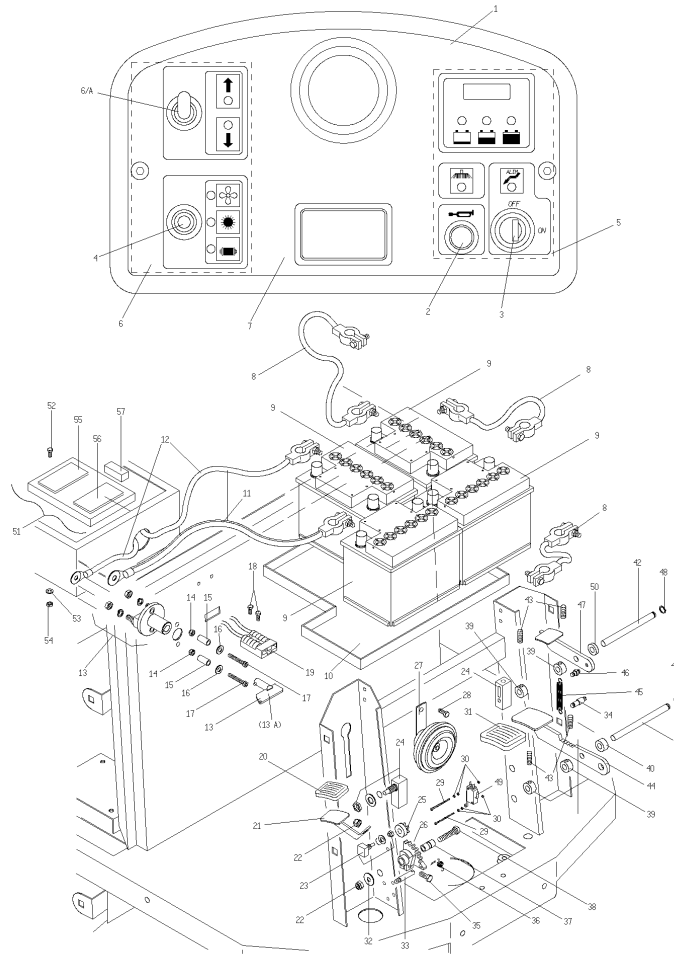


Ref. K	Part N.	Customer Part N.	Description	Qty	Validity:		Price
					From	To	
0041	MPVR45096		RUBBER V 1201 GR.	1,00			--
0042	LAFN76008		PEDALE FLAP TK1000	1,00			--
0043	CMCV75737		CLAMP D.7 art.857	1,00			--
0044	VTAE14016		CIRCLIP D. 12 UNI 7435	1,00			--
0045	LAFN75973		PIN FLAP TK	1,00			--
0046	VTDD01682		NUT M12 ZC UNI 5588	1,00			--
0047	LAFN75975		PIN TK	1,00			--
0048	VTVT47138		SCREW TSP-TC 3,9X32 ZC. UNI6955	4,00			--
0049	LAFN47139		MOTOR COVER L.14 FILT.	2,00			--
0050	VTVT75731		SCREW UNI 5923 6 X5	2,00			--
0051	LAFN47140		BUSHING L.14	2,00			--
0052	VTVT76616		SCREW M 4x18 STEAM GUN	6,00			--
0053	MFVR47141		FLANGE MOTOR L.14	2,00			--
0054	MOCC00004		MOTOR D.63 24V G3800 W35	1,00			--

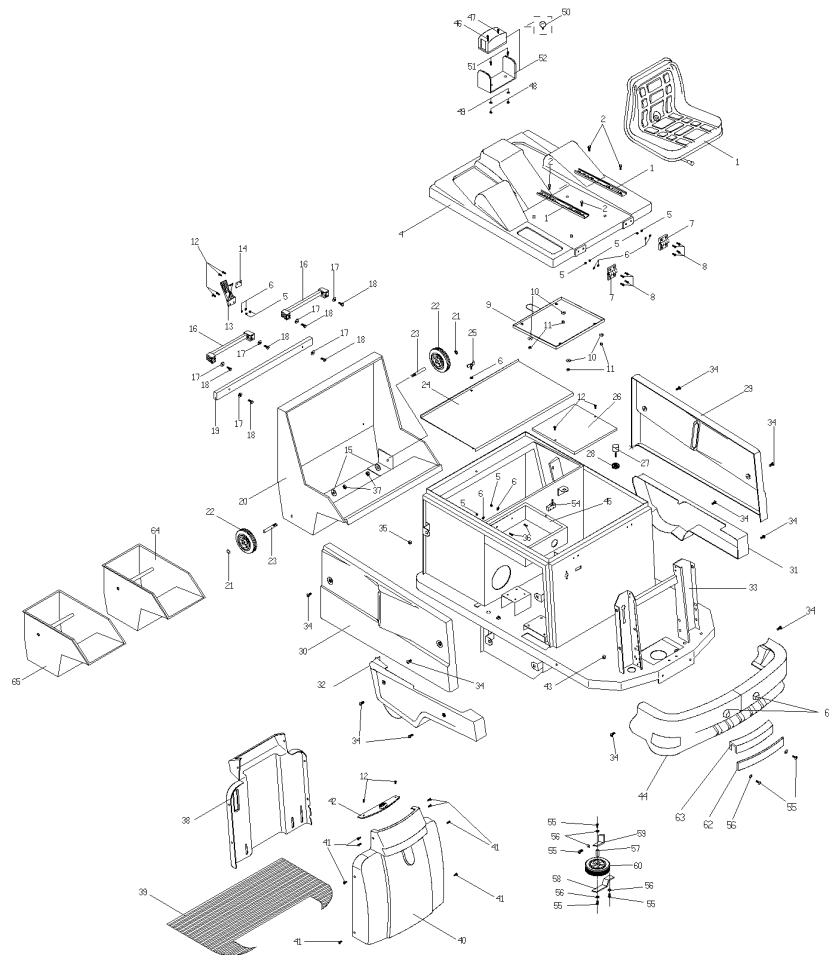




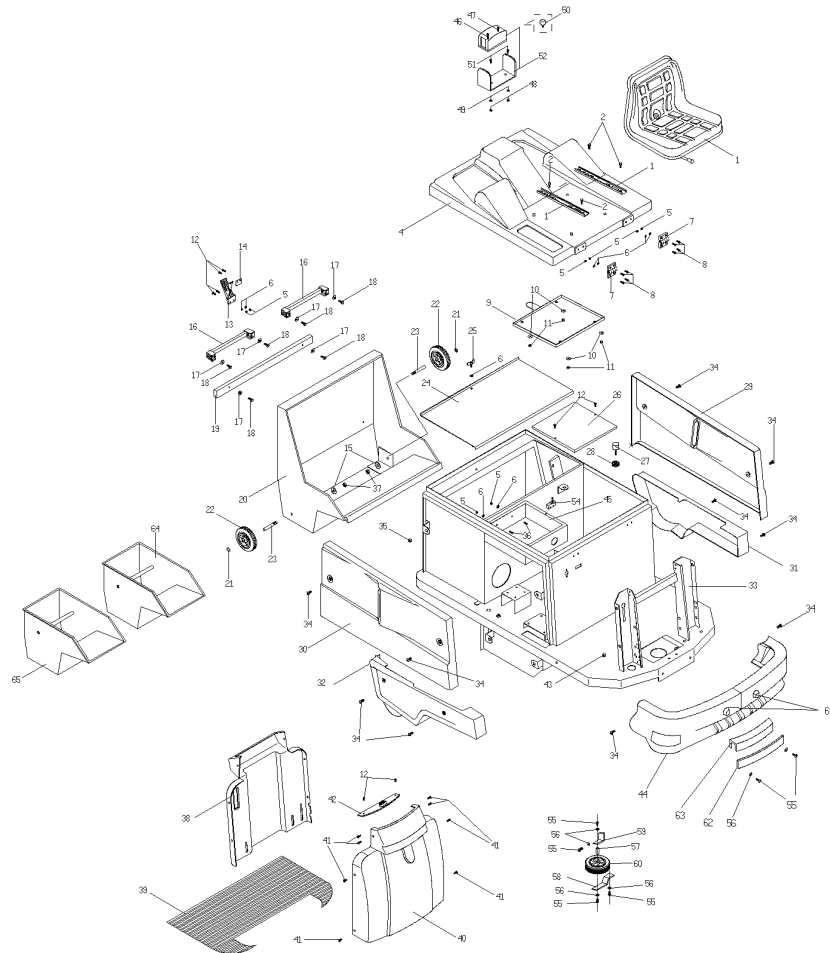
Ref.	K	Part N.	Customer Part N.	Description	Qty	Validity:		Price
						From	To	
0001		KTRI00098		INSTR.PANEL TK1000E CON CONTAORE COMP	1,00			--
0002		MEVR85330		KLAXON SW 1000 1180012	1,00			--
0003		MECI75805		SWITCH TK	1,00			--
0004		MECI75945		COMMUTAT.SWITCH3 POS. TK	1,00			--
0005		MECE86491		HOUR-COUNTER SCHEDA C/BAT.SC1000CD	1,00			--
0006		MECE75947		COMMUTAT.SWITCHSCHEDA TK1000	1,00			--
0007		ETET00016		LABEL CRUSCOTTO TK1000E	1,00			--
0008		MEVR34820		WIRING B 450 BT	3,00			--
0009		BAAC00005		BATTERY 6 V 240 AH PIANA	4,00			--
0010		PMVR00242		CONTAINER BATTER.CON MOUSSE TK1000E	1,00			--
0011		MECB00042		CABLE BATTERIA-CHIAVE+CARICABAT	1,00			--
0012		MECB00041		CABLE CENTRALINA-STACCABATTER.	1,00			--
0013		AZMC75803		DIASASS.SPANNERSW 1000	1,00			--
0014		VTDD00491		NUT M 6 TEF	2,00			--
0015		LAFN00092		BUSHING FISSAGGIO CHIAVE SBLOCCO	2,00			--
0016		VTRS00503		WASHER D. 6 TE UNI 6798	2,00			--
0017		VTVT06236		SCREW TCEI 6X40 UNI5931	2,00			--
0018		VTVT19236		SCREW TCEI 5X20 UNI 5931	2,00			--
0019		MEVR00033		CONNECTOR CB50 GRIGIO	1,00			--
0020		MPVR85654		RUBBER SWEEP 1000 TK13201006	1,00			--
0021		LAFN76009		ACCELERATOR SW1000ET	1,00			--
0022		VTDD00124		NUT M 8 BASSO	2,00			--
0023		MEVR75948		POTENTIOMETER TK	1,00			--
0024		MECI75801		MICROSWITCH TK	2,00			--
0025		MTIG85318		GEAR SW 1000	1,00			--
0026		MTIG85317		GEAR SW 1000	1,00			--
0027		MEVR47083		KLAXON L.14 24V	1,00			--
0028		VTVT85116		SCREW TE FR 6,3X19 ZIN	1,00			--
0029		VTVT00055		SCREW TCTC UNI 7687 3X35 ZB	2,00			--
0030		VTDD00001		NUT UNI 5588 M3 ZB	6,00			--
0031		MPVR45096		RUBBER V 1201 GR.	1,00			--
0032		VTRS00512		WASHER D. 8 X24 ZC.	1,00			--
0033		LAFN75969		PIN D.9 H.33	1,00			--
0034		LAFN47035		PIN CH.10 H.26	1,00			--
0035		VTVT00448		SCREW TE 8X30 UNI5739	1,00			--
0036		MLML85997		SPRING D. 2 TK1000	1,00			--
0037		LAFN47084		BUSHING L.14	1,00			--
0038		VTVT00017		SCREW TE UNI 5739 8X35 ZB	1,00			--
0039		LAFN47030		BUSHING L.14	4,00			--



Ref. K	Part N.	Customer Part N.	Description	Qty	Validity:		Price
					From	To	
0040	LAFN47019		BUSHING L.14	1,00			--
0041	LAFN47036		PIN BRK.+FLAP L.14	1,00			--
0042	LAFN47031		PIN L.14	1,00			--
0043	VTVT75731		SCREW UNI 5923 6 X5	4,00			--
0044	LAFN00686		PEDALE FRENO TK1000 ZINCATO	1,00			--
0045	MLML75960		SPRING D. 8 X1 X32	1,00			--
0046	LAFN47029		PIN CH.10 H.16	1,00			--
0047	LAFN47032		PEDALE L.14	1,00			--
0048	VTAE87276		SEEGER EXT. D10 DIN471	2,00			--
0049	MECI75950		MICROSWITCH TK	1,00			--
0050	LAFN47033		BUSHING L.14	1,00			--
0051	MECE00008		PCB COMPLETA TK 1000	1,00			--
0052	VTVT14062		SCREW TE 5X16 UNI5739	2,00			--
0053	VTRS00502		WASHER D. 5 0.466 UNI 6592	2,00			--
0054	VTDD01678		NUT M 5 UNI 5588	2,00			--
0055	MECE85742		PCB SW 1000 TK21801019	1,00			--
0056	MECE77502		LED SC1000PB	1,00			--
0057	MECE85520		SWITCH RELAY 24V 220W	1,00			--
006A	MECI76658		COMMUTAT.SWITCH2 P. TK	1,00			--
013A	MEVR00059		DIASS.SPANNERSTACCBATTERIA ROSSA	1,00			--



Ref.	K	Part N.	Customer Part N.	Description	Qty	Validity: From To	Price
0001		SESD86492		SEAT CON GUIDE TK1000	1,00		--
0002		VTVT00017		SCREW TE UNI 5739 8X35 ZB	4,00		--
0004		MPVR00555		HOOD SUPERIORE TK1000S ARGENTO	1,00		--
0005		VTDD00491		NUT M 6 TEF	8,00		--
0006		VTRS00503		WASHER D. 6 TE UNI 6798	9,00		--
0007		CEVR85332		HINGE MEB F D.6 TK	2,00		--
0008		VTVT06237		SCREW TCEI 6X20 UNI5931	8,00		--
0009		LAFN01012		FRAME RINFOR.COFAN.SUP 1000S NE	1,00		--
0010		VTRS00512		WASHER D. 8 X24 ZC.	4,00		--
0011		VTDD00124		NUT M 8 BASSO	4,00		--
0012		VTVT75726		SCREW TBEI M 6X 16 ISO 7380 ZB	8,00		--
0013		CHVR76642		CLOSURE SW1000	1,00		--
0014		CHVR76643		SUPP.HOLDER	1,00		--
0015		VTRS00505		WASHER D.10 TE UNI 6592	2,00		--
0016		LAFN00955		TUBE MANIGLIA L.170 NERO	2,00		--
0017		VTRS63242		WASHER D. 6 X24 ZC	6,00		--
0018		VTVT85116		SCREW TE FR 6,3X19 ZIN	6,00		--
0019		LAFN00328		REINFORCEMENT CASSETTO POST.TK1000 NERO	1,00		--
0020		MPVR48692		DRAWER TK 1000	1,00		--
0021		VTVR26502		HUB CAP D. 15	2,00		--
0022		RTRT00013		WHEEL GOMMA D.125	2,00		--
0023		LAFN00433		WHEEL PIN D.15 L.70,5	2,00		--
0024		LAFN85308		COVER SW 1000 21201003	1,00		--
0025		VTVR00044		WING NUT D.30 M6X20	1,00		--
0026		LAFN00230		COVER CONTEN.IMP.ELET.TK1000 NE	1,00		--
0027		MPVR75799		FOOT 20x9 M 6x18	1,00		--
0028		VTDD00482		NUT M 6 ZIN UNI 5588	1,00		--
0029		MPVR00557		CRANKCASE LAT.SUPER.SX TK1000S ARG.	1,00		--
0030		MPVR00556		CRANKCASE LAT.SUPER.DX TK1000S ARG.	1,00		--
0031		MPVR87284		CRANKCASE LATERALE SX TK1000S	1,00		--
0032		MPVR87285		CRANKCASE LATERALE DX TK1000S	1,00		--
0033		LAFN01015		FRAME 1000EH NERO -DULEVO-	1,00		--
0034		VTVT75724		SCREW TBEI M 8X 22 ISO 7380 ZB	12,00		--
0035		VTDD75720		NUT M 8 UNI 3740	10,00		--
0036		VTVT75719		SCREW TE F/ROND. M 6 X 10	2,00		--
0037		VTDD00042		NUT AUT.M10 UNI7474	2,00		--
0038		MPVR00473		CRANKCASE FRONTALE INT.TK1000E/S GR	1,00		--
0039		MPVR00738		PLANE MILLERIG.1000E CON BIADES	1,00		--
0040		MPVR00558		CRANKCASE FRONTALE TK1000 ARGENTO	1,00		--



Ref. K	Part N.	Customer Part N.	Description	Qty	Validity:		Price
					From	To	
0041	VTVT85745		SCREW TBEI M 6X 25 ISO 7380 ZB	8,00			--
0042	MPVR00347		INSTR.PANEL TERMOFORMATO TK1000E GRIG	1,00			--
0043	VTDD00013		NUT INGABBIATO UNI 3740 M6	4,00			--
0044	MPVR00247		BUMPER GRIGIO 1010	1,00			--
0045	MPVR00184		CONTAINER IMPIANTO ELETTR.TK1000 NE	1,00			--
0046	VTVT00037		SCREW AUTOF.TC UNI 6954 3,5X19	2,00			--
0047	VTVT00040		SCREW AUTOF.TC UNI6954 3,5X10SP	1,00			--
0048	VTDD01678		NUT M 5 UNI 5588	2,00			--
0049	VTRS00502		WASHER D. 5 0.466 UNI 6592	2,00			--
0050	MELF33431		LAMP 24 V 21 W	1,00			--
0051	VTDD01678		NUT M 5 UNI 5588	2,00			--
0052	KTRI00103		LAMP FLASH 24V ORANGE	1,00			--
0054	MECI75801		MICROSWITCH TK	1,00			--
0055	VTVT87271		SCREW TBEI M 8X 16 ISO 7380	6,00			--
0056	VTRS00504		WASHER D. 8 TE ZC. UNI 6592	6,00			--
0057	LAFN00484		WHEEL PIN PARACOLPI 1010	2,00			--
0058	LAFN00753		BRACKET INF.FISS.RUOTA PARAC.1010	2,00			--
0059	LAFN00752		BRACKET SUP.FISS.RUOTA PARAC.1010	2,00			--
0060	RTRT00013		WHEEL GOMMA D.125	2,00			--
0061	MPVR00080		BUSHING FISSAGGIO PARACOLPI	2,00			--
0062	LAFN00681		BUMPER	1,00			--
0063	MPVR00767		BUMPER NERO X SPAZZOLA TK1010	1,00			--
0064	PMVR00210		DRAWER INTERN.SX TK1000 COMPL.	1,00			--
0065	PMVR00209		DRAWER INTERNO DX TK1000 COMPL.	1,00			--