

IPC Integrated Professional Cleaning

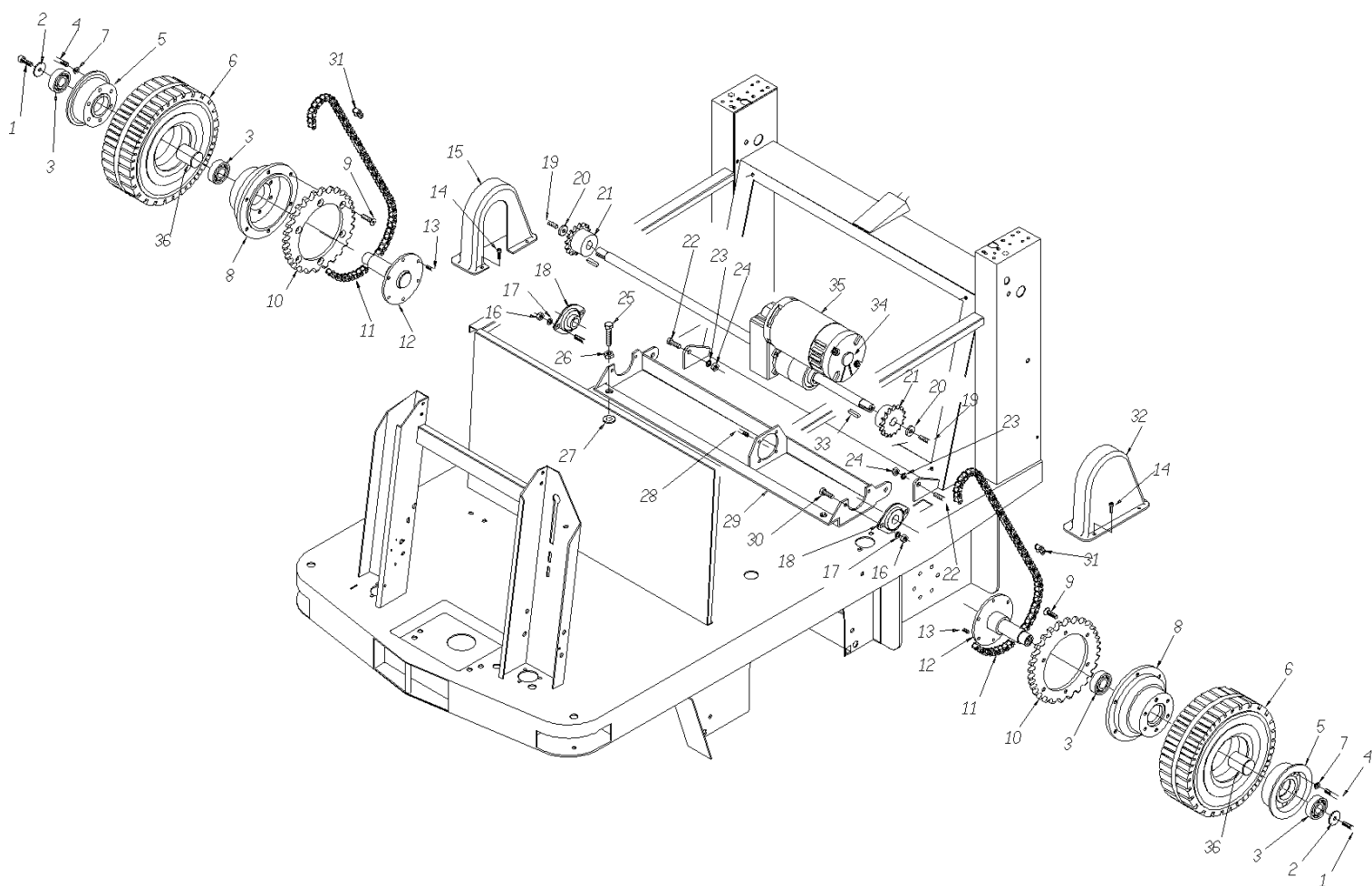
IPC Gansow

Spare Parts List

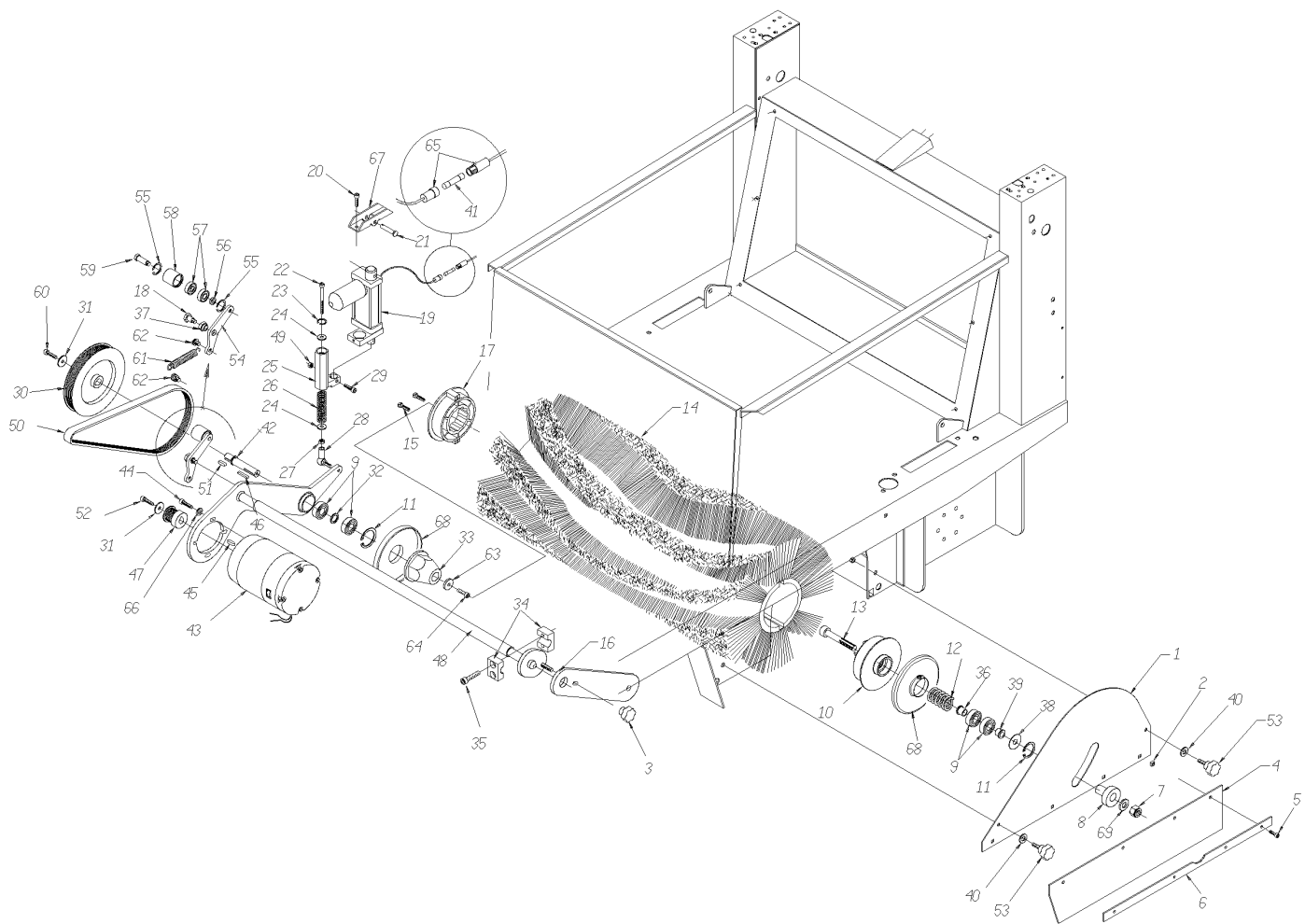
TAVERNARO AG

Ref: MSUB00414

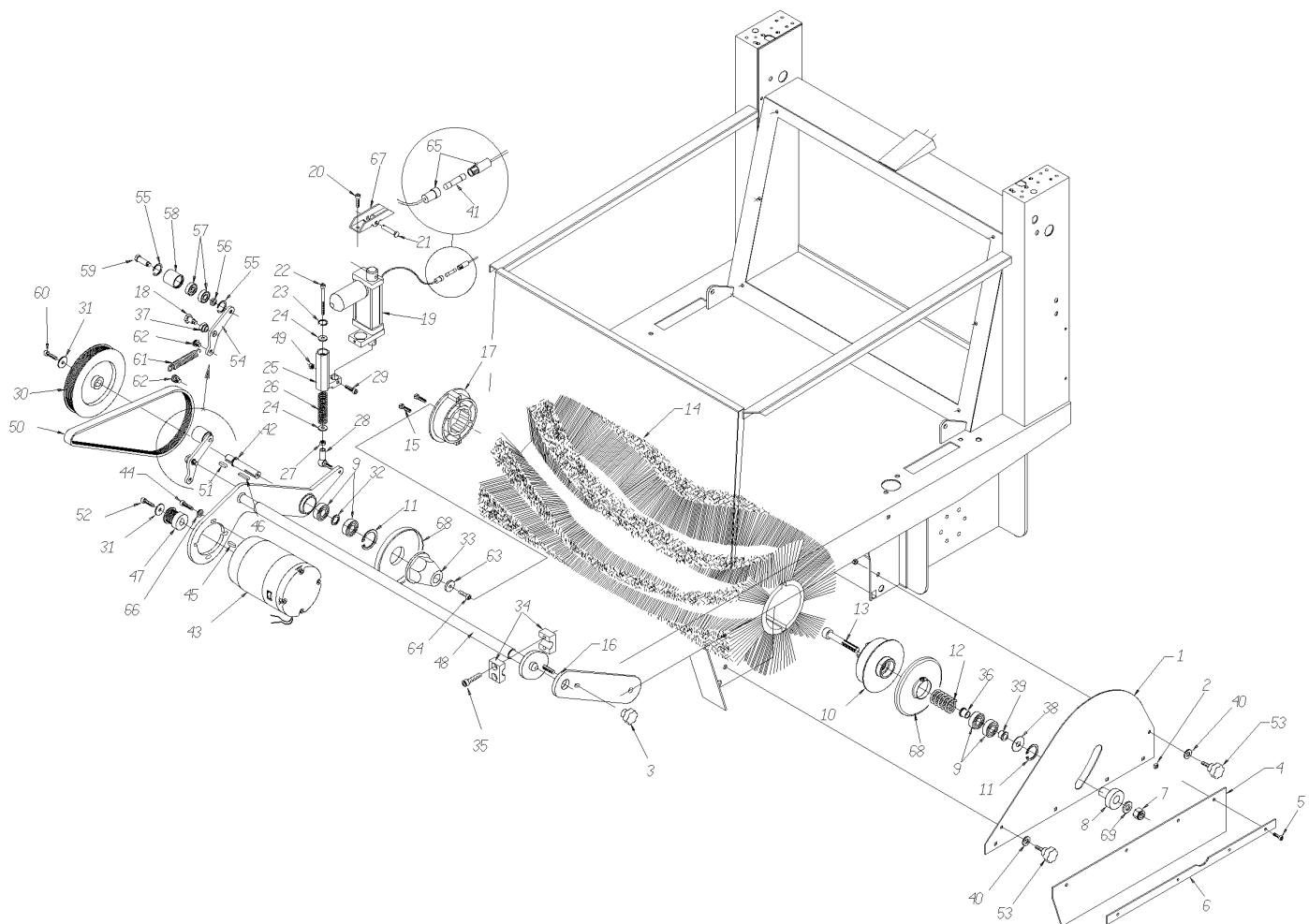
Model: 1202 DP GR/VE 2SP IPC



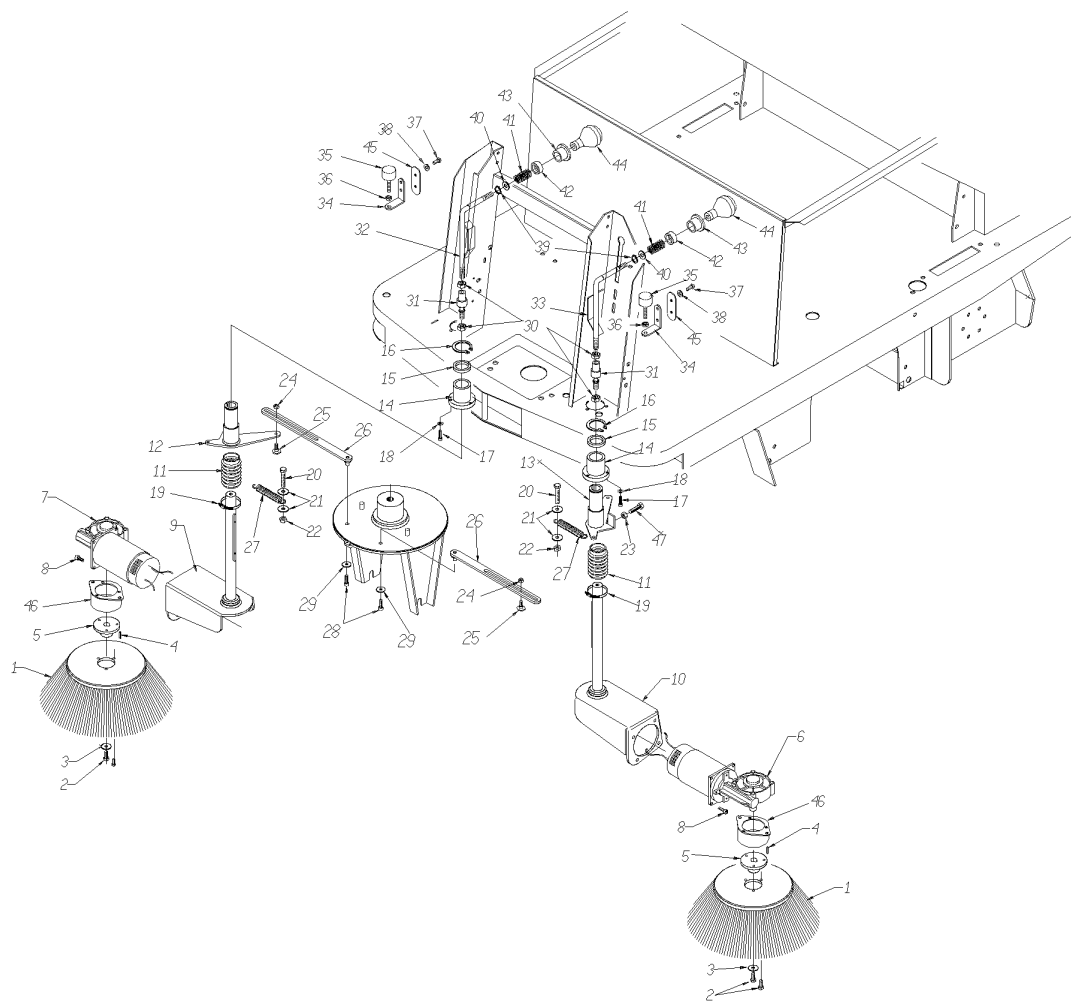
| Ref. | K | Part N. | Customer Part N. | Description | Qty | Validity: | | Price |
|------|---|-----------|------------------|-------------------------------------|-------|-----------|---------|-------|
| | | | | | | From | To | |
| 0001 | | VTVT87271 | | SCREW TBEI M 8X 16 ISO 7380 | 1,00 | | | -- |
| 0002 | | VTRS00512 | | WASHER D. 8 X24 ZC. | 2,00 | | | -- |
| 0003 | | CUVR00008 | | BEARING 6003 2RS | 4,00 | | | -- |
| 0004 | | VTVT00066 | | SCREW TCCE UNI 5931 8X25 ZB | 10,00 | | | -- |
| 0005 | | LAFN85290 | | HUB SW 1000 22501004 | 2,00 | | | -- |
| 0006 | | KTRI75744 | | REAR WHEELS TK1000 | 2,00 | | | -- |
| 0007 | | VTRS01080 | | WASHER D. 8 GRW | 10,00 | | | -- |
| 0008 | | LAFN00633 | | HUB PORTACORONA TK1300 | 2,00 | | | -- |
| 0009 | | VTVT00061 | | SCREW TSCE UNI 5933 6X20 ZB | 10,00 | | | -- |
| 0010 | | MTCR00002 | | BRAKE TRAZIONE RUOTE | 2,00 | | | -- |
| 0011 | | MTCR00004 | | CHAIN TRASMISSIONE TK1300/1200 | 2,00 | | | -- |
| 0012 | | LAFN00317 | | FLANGE CON PERNO RUOTA POST. | 2,00 | | | -- |
| 0013 | | VTVT45340 | | SCREW TSPEI 8X16 UNI5933 | 12,00 | | | -- |
| 0014 | | VTVT09913 | | SCREW TCEI 6X16 UNI5931 | 4,00 | | | -- |
| 0015 | | MPVR00259 | | CRANKCASE PROTEZIONE CATENA DX 1300 | 1,00 | | | -- |
| 0016 | | VTDD00124 | | NUT M 8 BASSO | 4,00 | | | -- |
| 0017 | | VTRS00504 | | WASHER D. 8 TE ZC. UNI 6592 | 4,00 | | | -- |
| 0018 | | CUVR00105 | | SUPPORT | 2,00 | 11/2010 | | -- |
| 0018 | | LAFN87166 | | SUPPORT | 2,00 | | 11/2010 | -- |
| 0019 | | VTVT29810 | | SCREW TCEI M 8X20 UNI 5931 | 2,00 | | | -- |
| 0020 | | VTRS00512 | | WASHER D. 8 X24 ZC. | 2,00 | | | -- |
| 0021 | | MTIG00035 | | PINION DIFFERENZ.Z22 P66.93 1300 | 2,00 | | | -- |
| 0022 | | VTVT00456 | | SCREW TE 10X25 UNI5739 | 2,00 | | | -- |
| 0023 | | VTRS00505 | | WASHER D.10 TE UNI 6592 | 4,00 | | | -- |
| 0024 | | VTDD00042 | | NUT AUT.M10 UNI7474 | 2,00 | | | -- |
| 0025 | | VTVT00068 | | SCREW TE UNI 5739 10X60 ZB | 2,00 | | | -- |
| 0026 | | VTDD00484 | | NUT M10 ZIN UNI 5588 | 2,00 | | | -- |
| 0027 | | LAFN47016 | | SPACER L.14 | 2,00 | | | -- |
| 0028 | | VTVT62920 | | SCREW TE F/ROND. M 6X 16 ZB | 4,00 | | | -- |
| 0029 | | LAFN00771 | | SUPPORT DIFFERENZIALE TK1300 ZINC | 1,00 | | | -- |
| 0030 | | VTVT29810 | | SCREW TCEI M 8X20 UNI 5931 | 4,00 | | | -- |
| 0031 | | MTCR47037 | | WARP KNITTING 3/8 | 2,00 | | | -- |
| 0032 | | MPVR00260 | | CRANKCASE PROTEZIONE CATENA SX 1300 | 1,00 | | | -- |
| 0033 | | VTVR28706 | | KEY 6X 6X20 UNI 6604A | 2,00 | | | -- |
| 0034 | | MECI00035 | | DASHBOARD DI TEMPERATURA F11-95 NC | 1,00 | | | -- |
| 0035 | | MEVR33562 | | CARBON 10X18X18 400W 12V | 4,00 | | | -- |
| 0035 | | MOCC00007 | | MOTOR.GEARBOX TRAZIONE TK1300 DP | 1,00 | | | -- |
| 0036 | | LAFN00275 | | SPACER INTERNO RUOTA POST.TK1300 | 2,00 | | | -- |



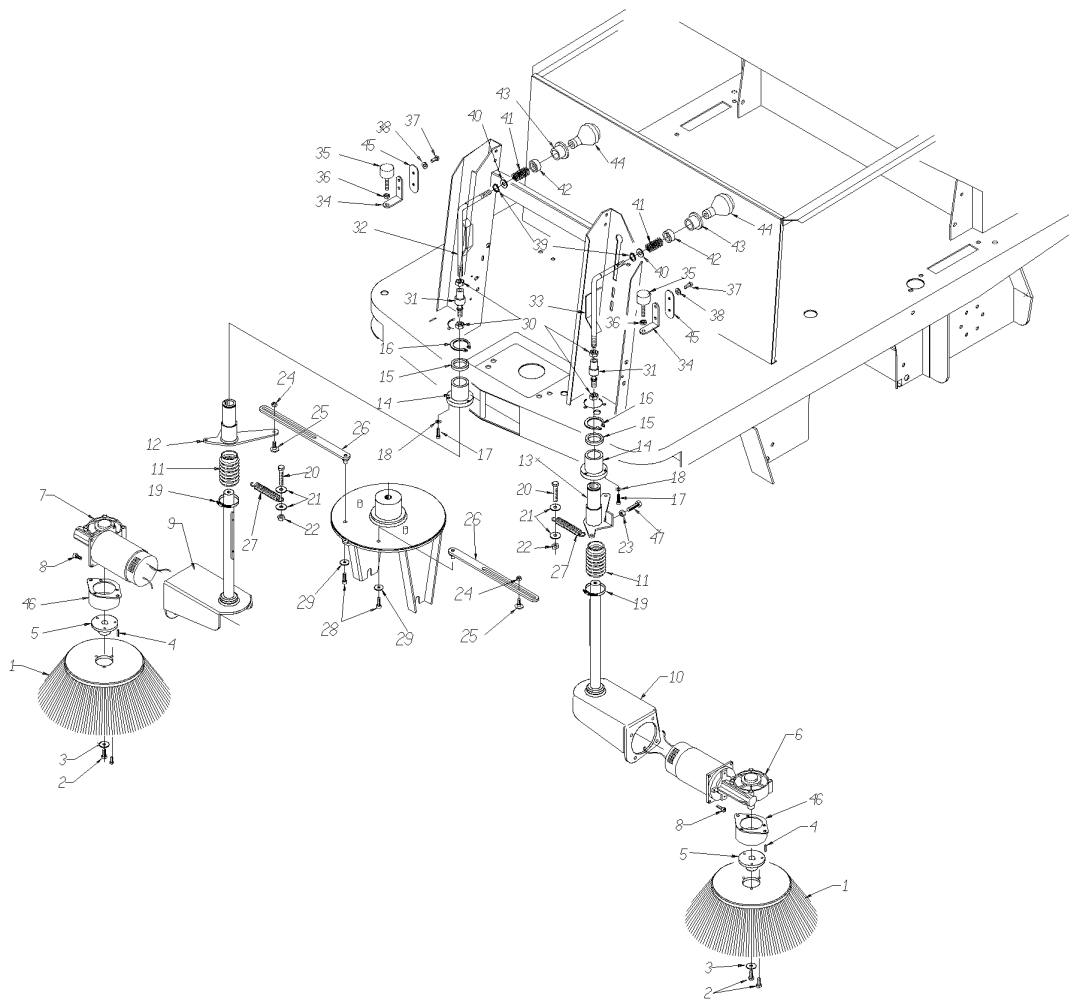
| Ref. | K | Part N. | Customer Part N. | Description | Qty | Validity: | | Price |
|------|---|-----------|------------------|--|------|-----------|----|-------|
| | | | | | | From | To | |
| 0001 | | LAFN06827 | | PLANE SPAZZOLA CENTRALE | 1,00 | | | -- |
| 0002 | | VTVR47015 | | INSERT PLS. D.3 | 4,00 | | | -- |
| 0003 | | VTVR00047 | | HANDWHEEL D.50 M8 | 1,00 | | | -- |
| 0004 | | MPVR05017 | | FLAP - | 1,00 | | | -- |
| 0005 | | VTVT00044 | | SCREW TC AF.X PLAS UNI9707 4X16 | 4,00 | | | -- |
| 0006 | | LAFN06826 | | SHEET METAL PA.FLAP | 1,00 | | | -- |
| 0007 | | VTDD00012 | | NUT AUTOBLOK DIN 985 M12 ZB | 1,00 | | | -- |
| 0008 | | LAFN06836 | | PIN CENTRAGGIO PROTEZIONE | 1,00 | | | -- |
| 0009 | | CUVR17004 | | BALL BEARING 6202 -2RS1 | 4,00 | | | -- |
| 0010 | | MPVR04923 | | SUPPORT SPAZZOLA CENTRALE | 1,00 | | | -- |
| 0011 | | VTAE00076 | | CIRCLIP D.37 DIN 472 | 2,00 | | | -- |
| 0012 | | MLML00295 | | SPRING SPAZZOLA CENTRALE | 1,00 | | | -- |
| 0013 | | VTVT01128 | | SCREW TCCE UNI 5931 12X120 ZB | 1,00 | | | -- |
| 0014 | | SPPV00052 | | CENTRAL BRUSH D.280X686 6R0.5/1.2 1200 | 1,00 | | | -- |
| 0015 | | VTVT47138 | | SCREW TSP-TC 3,9X32 ZC. UNI6955 | 2,00 | | | -- |
| 0016 | | LAFN47050 | | LATERAL ARM L.14 | 1,00 | | | -- |
| 0017 | | LAFN45099 | | DRIVE DISK TK1400 | 1,00 | | | -- |
| 0018 | | LAFN47051 | | PIN L.14 | 1,00 | | | -- |
| 0019 | | MECB00983 | | WIRING ATTUATORE | 1,00 | | | -- |
| 0020 | | VTVT09913 | | SCREW TCEI 6X16 UNI5931 | 1,00 | | | -- |
| 0021 | | LAFN00487 | | PIN FISSAG.ATTUATORE TK1300 | 1,00 | | | -- |
| 0022 | | VTVT37013 | | SCREW TE M 6X100 UNI 5737 | 1,00 | | | -- |
| 0023 | | VTAE00009 | | SEEGER INTERNO DIN 472 D.20 | 1,00 | | | -- |
| 0024 | | LAFN00124 | | BUSHING BATTUTA CILINDRO | 2,00 | | | -- |
| 0025 | | MPVR45279 | | CASE TK1400 | 1,00 | | | -- |
| 0026 | | MLML45281 | | SPRING TK1400 | 1,00 | | | -- |
| 0027 | | VTDD01678 | | NUT M 5 UNI 5588 | 1,00 | | | -- |
| 0028 | | VTVR45280 | | ARTICULATION AS M6 | 1,00 | | | -- |
| 0029 | | VTVT00008 | | SCREW TE UNI 5739 6X30 ZB | 1,00 | | | -- |
| 0030 | | MTPL47054 | | PULLEY POLY-V J8 D. 155 | 1,00 | | | -- |
| 0031 | | VTRS63242 | | WASHER D. 6 X24 ZC | 2,00 | | | -- |
| 0032 | | LAFN06823 | | SPACER L.14 | 1,00 | | | -- |
| 0033 | | MPVR04915 | | HUB TRASCINATORE SPAZZ. CENT. | 1,00 | | | -- |
| 0034 | | LAFN47055 | | HOSE COLLAR C3 D.18 | 2,00 | | | -- |
| 0035 | | VTVT06236 | | SCREW TCEI 6X40 UNI5931 | 4,00 | | | -- |
| 0036 | | LAFN06782 | | BUSHING PER CUSCINETTO | 1,00 | | | -- |
| 0037 | | LAFN47033 | | BUSHING L.14 | 1,00 | | | -- |
| 0038 | | VTRS00553 | | WASHER PARAPOLVERE | 1,00 | | | -- |
| 0039 | | LAFN06783 | | BUSHING PER CUSCINETTO 1 | 1,00 | | | -- |



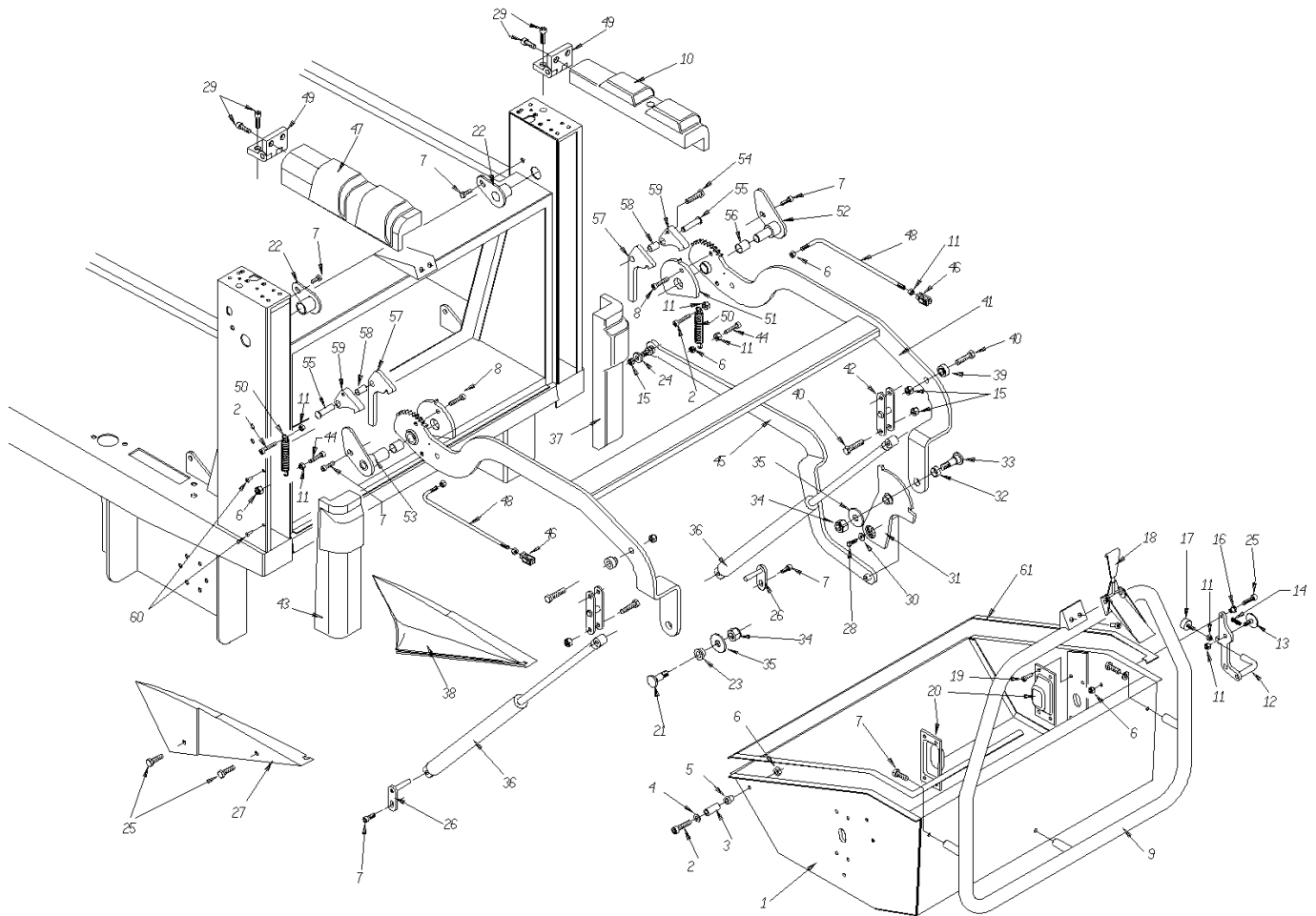
| Ref. | K | Part N. | Customer Part N. | Description | Qty | Validity: | | Price |
|------|---|-----------|------------------|---------------------------------|------|-----------|----|-------|
| | | | | | | From | To | |
| 0040 | | VTRS00504 | | WASHER D. 8 TE ZC. UNI 6592 | 2,00 | | | -- |
| 0041 | | MEVR00079 | | FUSE 3.15A 250V 5X20 | 1,00 | | | -- |
| 0042 | | LAFN06687 | | PIN S.C. 1404 | 1,00 | | | -- |
| 0043 | | MOCC00282 | | MOTOR BRUSH IP44 G1202-1303 | 1,00 | | | -- |
| 0044 | | VTVT06237 | | SCREW TCEI 6X20 UNI5931 | 4,00 | | | -- |
| 0045 | | VTVR13165 | | KEY 5X5X20 | 1,00 | | | -- |
| 0046 | | VTVR00006 | | KEY UNI 6604 4X4X35 | 1,00 | | | -- |
| 0047 | | MTPL45101 | | PULLEY POLY-V J8 TK1400 | 1,00 | | | -- |
| 0048 | | LAFN06830 | | ARM SPAZZOLA CENTRALE | 1,00 | | | -- |
| 0049 | | VTDD19688 | | NUT M6 UNI 7473 | 1,00 | | | -- |
| 0050 | | MTCG44767 | | BELT POLY-V J8 864-340 | 1,00 | | | -- |
| 0051 | | VTVR13165 | | KEY 5X5X20 | 1,00 | | | -- |
| 0052 | | VTVT24209 | | SCREW TCEI 6X12 UNI5931 | 1,00 | | | -- |
| 0053 | | RTRT00022 | | HANDWHEEL D.30 M6X15 | 2,00 | | | -- |
| 0054 | | LAFN47059 | | BELT-STRETCHER L.14 | 1,00 | | | -- |
| 0055 | | VTAE00008 | | SEEGER INTERNO DIN 472 D.26 | 2,00 | | | -- |
| 0056 | | LAFN47060 | | SPACER L.14 | 1,00 | | | -- |
| 0057 | | CUVR86373 | | BEARING 6000 2RS | 2,00 | | | -- |
| 0058 | | MTPL47061 | | ROLLER L.14 | 1,00 | | | -- |
| 0059 | | LAFN47062 | | PIN L.14 | 1,00 | | | -- |
| 0060 | | VTRS63242 | | WASHER D. 6 X24 ZC | 1,00 | | | -- |
| 0061 | | MLML75961 | | SPRING D. 16 L.80 | 1,00 | | | -- |
| 0062 | | VTVT45395 | | SCREW TBEI M 8X 10 ISO 7380 ZB | 2,00 | | | -- |
| 0063 | | VTRS04026 | | WASHER D. 6X18X2.38 | 1,00 | | | -- |
| 0064 | | VTVT24209 | | SCREW TCEI 6X12 UNI5931 | 1,00 | | | -- |
| 0065 | | MEVR00080 | | FUSE-HOLDER PV610 10A | 1,00 | | | -- |
| 0066 | | VTRS04026 | | WASHER D. 6X18X2.38 | 4,00 | | | -- |
| 0067 | | LAFN00772 | | PLATE PORTA ATTUATORE 1300/1200 | 1,00 | | | -- |
| 0068 | | LAFN06837 | | PROTECTION SPAZZOLA CENTRALE | 2,00 | | | -- |
| 0069 | | VTRS00506 | | WASHER D.12 UNI 6592 | 1,00 | | | -- |



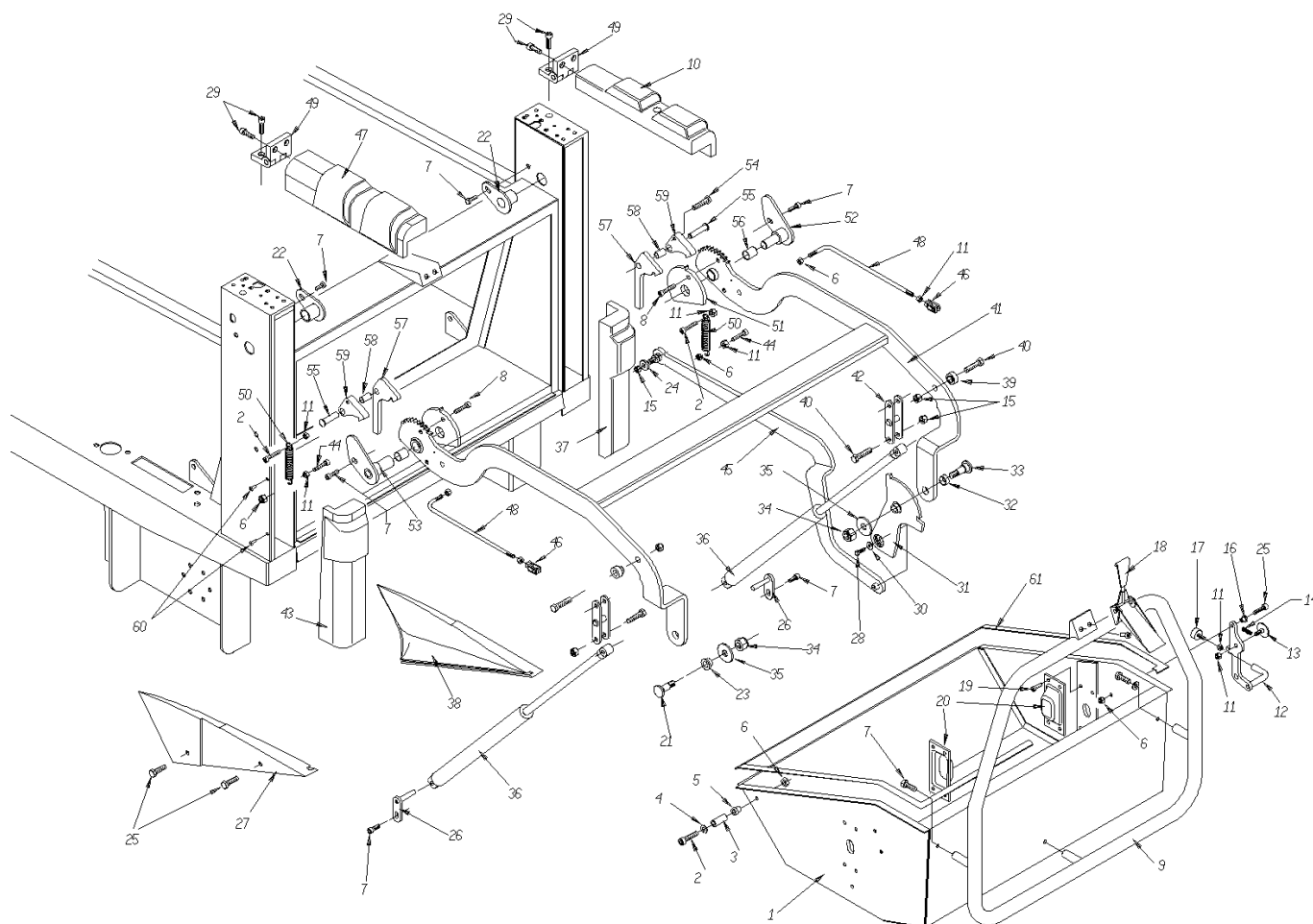
| Ref. | K | Part N. | Customer Part N. | Description | Qty | Validity: | | Price |
|------|---|-----------|------------------|----------------------------------|-------|-----------|----|-------|
| | | | | | | From | To | |
| 0001 | | SPPV00018 | | BRUSH LATERALE TK1300/TK1200 | 2,00 | | | -- |
| 0002 | | VTVT62920 | | SCREW TE F/ROND. M 6X 16 ZB | 10,00 | | | -- |
| 0003 | | VTRS63242 | | WASHER D. 6 X24 ZC | 2,00 | | | -- |
| 0004 | | VTVR33667 | | KEY 5x 5x25 UNI 6604A | 2,00 | | | -- |
| 0005 | | LAFN45010 | | FLANGE L.1400 LT. | 2,00 | | | -- |
| 0006 | | MEVR31145 | | CARBON LAV. BT | 2,00 | | | -- |
| 0006 | | RDGR75785 | | MOTOR.GEARBOX AOMP140 24V 90W SX | 1,00 | | | -- |
| 0007 | | MEVR31145 | | CARBON LAV. BT | 2,00 | | | -- |
| 0007 | | RDGR75784 | | MOTOR.GEARBOX AOMP140 24V TK1000 | 1,00 | | | -- |
| 0008 | | VTVT09913 | | SCREW TCEI 6X16 UNI5931 | 8,00 | | | -- |
| 0009 | | LAFN00784 | | ARM DX ALZA SPAZ.LAT.COMPL. | 1,00 | | | -- |
| 0010 | | LAFN00785 | | ARM SX ALZA SPAZ.LAT.COMPL. | 1,00 | | | -- |
| 0011 | | MPVR47066 | | PROTECTOR L.14 | 2,00 | | | -- |
| 0012 | | LAFN00766 | | GUIDE ALBERO SPAZ.LAT.DX 1300zn | 1,00 | | | -- |
| 0013 | | LAFN00767 | | GUIDE ALBERO SPAZ.LAT.SX ZB | 1,00 | | | -- |
| 0014 | | LAFN47070 | | FLANGE L.14 LT. | 2,00 | | | -- |
| 0015 | | LAFN47081 | | SPACER L.14 | 2,00 | | | -- |
| 0016 | | VTAE12644 | | CIRCLIP D. 30 UNI 7435 | 2,00 | | | -- |
| 0017 | | VTVT09913 | | SCREW TCEI 6X16 UNI5931 | 6,00 | | | -- |
| 0018 | | VTRS00503 | | WASHER D. 6 TE UNI 6798 | 6,00 | | | -- |
| 0019 | | MEVR00114 | | CLAMP FISS.GUAINA NYLON 200X2.5 | 4,00 | | | -- |
| 0020 | | VTVT00448 | | SCREW TE 8X30 UNI5739 | 2,00 | | | -- |
| 0021 | | VTRS00512 | | WASHER D. 8 X24 ZC. | 4,00 | | | -- |
| 0022 | | VTDD00124 | | NUT M 8 BASSO | 4,00 | | | -- |
| 0023 | | VTDD00482 | | NUT M 6 ZIN UNI 5588 | 2,00 | | | -- |
| 0024 | | VTDD00491 | | NUT M 6 TEF | 2,00 | | | -- |
| 0025 | | LAFN47080 | | SCREW L.14 | 2,00 | | | -- |
| 0026 | | ALTR00028 | | ROD ROTAZ.SPAZ.LAT.COMPL. | 2,00 | | | -- |
| 0027 | | MLML45102 | | SPRING TR | 2,00 | | | -- |
| 0028 | | VTVT24209 | | SCREW TCEI 6X12 UNI5931 | 2,00 | | | -- |
| 0029 | | VTRS63242 | | WASHER D. 6 X24 ZC | 2,00 | | | -- |
| 0030 | | VTDD00484 | | NUT M10 ZIN UNI 5588 | 4,00 | | | -- |
| 0031 | | VTVR47072 | | ARTICULATION AS M10 | 2,00 | | | -- |
| 0032 | | LAFN47073 | | ARM L.14 DX | 1,00 | | | -- |
| 0033 | | LAFN47078 | | ARM L.14 SX | 1,00 | | | -- |
| 0034 | | MPVR86579 | | SUPPORT TK | 2,00 | | | -- |
| 0035 | | ABGO00008 | | VIBRATION DAMP.PM 20X20 M6X20 | 2,00 | | | -- |
| 0036 | | VTDD00482 | | NUT M 6 ZIN UNI 5588 | 2,00 | | | -- |
| 0037 | | VTVT75726 | | SCREW TBEI M 6X 16 ISO 7380 ZB | 4,00 | | | -- |



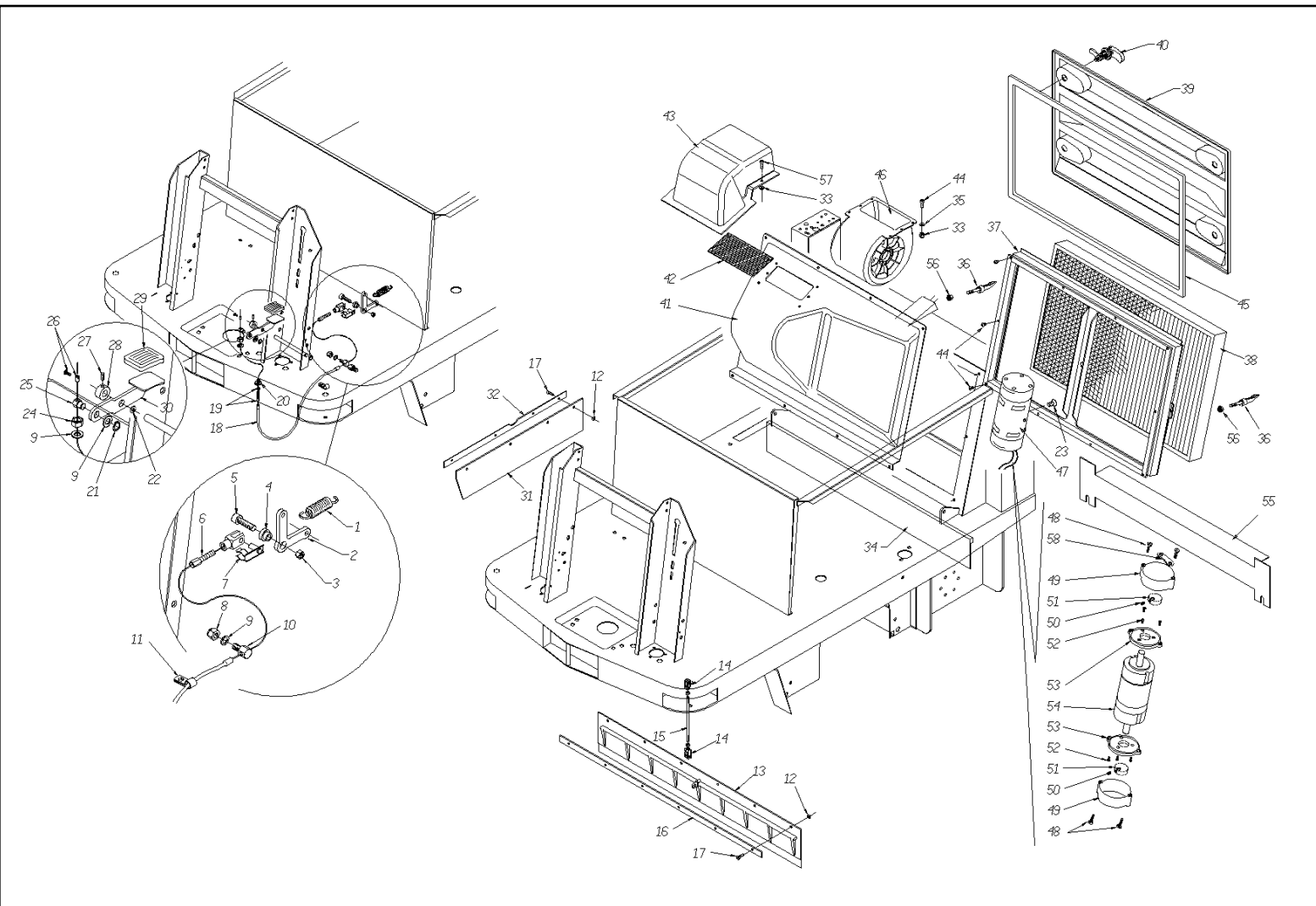
| Ref. K | Part N. | Customer Part N. | Description | Qty | Validity: | | Price |
|--------|-----------|------------------|--------------------------------|------|-----------|----|-------|
| | | | | | From | To | |
| 0038 | VTRS04026 | | WASHER D. 6X18X2.38 | 4,00 | | | -- |
| 0039 | VTAE87276 | | SEEGER EXT. D10 DIN471 | 2,00 | | | -- |
| 0040 | VTRS00505 | | WASHER D.10 TE UNI 6592 | 2,00 | | | -- |
| 0041 | MLML47075 | | SPRING D.15X 24 X1.5 | 2,00 | | | -- |
| 0042 | MPVR47074 | | BUSHING L.14 INT. | 2,00 | | | -- |
| 0043 | MPVR47076 | | BUSHING L.14 EXT. | 2,00 | | | -- |
| 0044 | MPVR47077 | | KNOB L.14 | 2,00 | | | -- |
| 0045 | LAFN06795 | | BRACKET LEVE SPAZZOLE LATERALI | 2,00 | | | -- |
| 0046 | LAFN06400 | | PROTECTION SIDE BRUSH | 2,00 | | | -- |
| 0047 | VTVT00008 | | SCREW TE UNI 5739 6X30 ZB | 2,00 | | | -- |



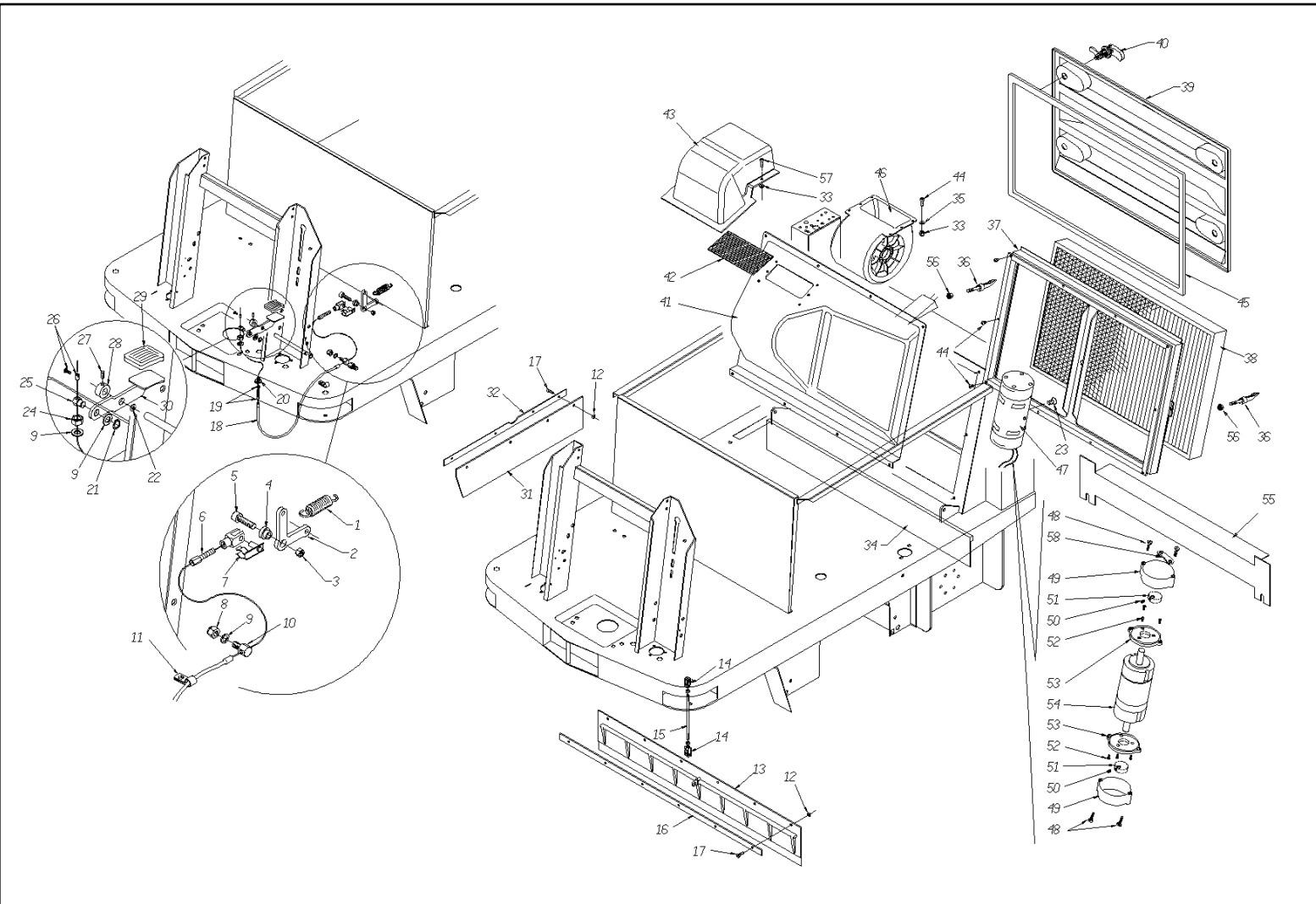
| Ref. | K | Part N. | Customer Part N. | Description | Qty | Validity: | | Price |
|------|---|-----------|------------------|----------------------------------|------|-----------|----|-------|
| | | | | | | From | To | |
| 0001 | | LAFN00245 | | DRAWER TK1200 COMPL.RAL7024 SOLL | 1,00 | | | -- |
| 0002 | | VTVT63029 | | SCREW TCEI M 6X 35 UNI 5931 ZB | 3,00 | | | -- |
| 0003 | | LAFN00141 | | BUSHING RULLINO CASSETTO TK1200 | 1,00 | | | -- |
| 0004 | | VTRS00503 | | WASHER D. 6 TE UNI 6798 | 1,00 | | | -- |
| 0005 | | LAFN00635 | | ROLLER CASSETTO TK1200 | 1,00 | | | -- |
| 0006 | | VTDD19688 | | NUT M6 UNI 7473 | 6,00 | | | -- |
| 0007 | | VTVT62920 | | SCREW TE F/ROND. M 6X 16 ZB | 7,00 | | | -- |
| 0008 | | VTVT01118 | | SCREW TCEI M 8X16 ZC. UNI 5931 | 2,00 | | | -- |
| 0009 | | LAFN00410 | | HANDLE CASSETTO COMPLETO RAL7024 | 1,00 | | | -- |
| 0010 | | MPVR00294 | | BUMPER POSTERIORE SUP.DX TK1200 | 1,00 | | | -- |
| 0011 | | VTDD00482 | | NUT M 6 ZIN UNI 5588 | 8,00 | | | -- |
| 0012 | | LAFN00354 | | LEVER SGANCIO CASSETTO | 1,00 | | | -- |
| 0013 | | LAFN00504 | | PIN MOLLA LEVA SGANCIO TK1200 | 1,00 | | | -- |
| 0014 | | MLML00021 | | SPRING CHIAVISTELLO ROT.CASSETTO | 1,00 | | | -- |
| 0015 | | VTDD00124 | | NUT M 8 BASSO | 5,00 | | | -- |
| 0016 | | LAFN00506 | | PIN LEVA SGANCIO | 1,00 | | | -- |
| 0017 | | ABGO00008 | | VIBRATION DAMP.PM 20X20 M6X20 | 1,00 | | | -- |
| 0018 | | CHVR76642 | | CLOSURE SW1000 | 1,00 | | | -- |
| 0019 | | VTVT75719 | | SCREW TE F/ROND. M 6 X 10 | 8,00 | | | -- |
| 0020 | | MPVR00284 | | COWLING COPRI PERNO | 2,00 | | | -- |
| 0021 | | LAFN00502 | | PIN CASSETTO | 1,00 | | | -- |
| 0022 | | LAFN00515 | | PIN BRACCIO | 2,00 | | | -- |
| 0023 | | LAFN00023 | | WASHER SPALLAMENTO CASSET.TK1200 | 1,00 | | | -- |
| 0024 | | VTRS00512 | | WASHER D. 8 X24 ZC. | 1,00 | | | -- |
| 0025 | | VTVT24209 | | SCREW TCEI 6X12 UNI5931 | 5,00 | | | -- |
| 0026 | | LAFN00508 | | PIN MOLLA GAS COMPLETO | 2,00 | | | -- |
| 0027 | | MPVR00286 | | CONVEYOR CASSETTO SX TK1200 | 1,00 | | | -- |
| 0028 | | VTVT17639 | | SCREW TCEI M 5X10 UNI 5931 | 1,00 | | | -- |
| 0029 | | VTVT09913 | | SCREW TCEI 6X16 UNI5931 | 1,00 | | | -- |
| 0030 | | VTRS00291 | | WASHER D. 5 X20 ZC UNI 6593 | 1,00 | | | -- |
| 0031 | | LAFN00792 | | BRACKET PARELLOGRAMMA COMPLETO | 1,00 | | | -- |
| 0032 | | LAFN00143 | | BUSHING BRACCIO | 2,00 | | | -- |
| 0033 | | LAFN00502 | | PIN CASSETTO | 1,00 | | | -- |
| 0034 | | VTDD00042 | | NUT AUT.M10 UNI7474 | 2,00 | | | -- |
| 0035 | | VTRS00514 | | WASHER D.10X30X11.4 | 2,00 | | | -- |
| 0036 | | MLML00004 | | SPRING A GAS X CASSETTO TK 1200 | 2,00 | | | -- |
| 0037 | | MPVR00292 | | BUMPER POSTERIORE INF.DX TK1200 | 1,00 | | | -- |
| 0038 | | MPVR00285 | | CONVEYOR CASSETTO DX TK1200 | 1,00 | | | -- |
| 0039 | | LAFN00503 | | PIN BIELLA | 2,00 | | | -- |



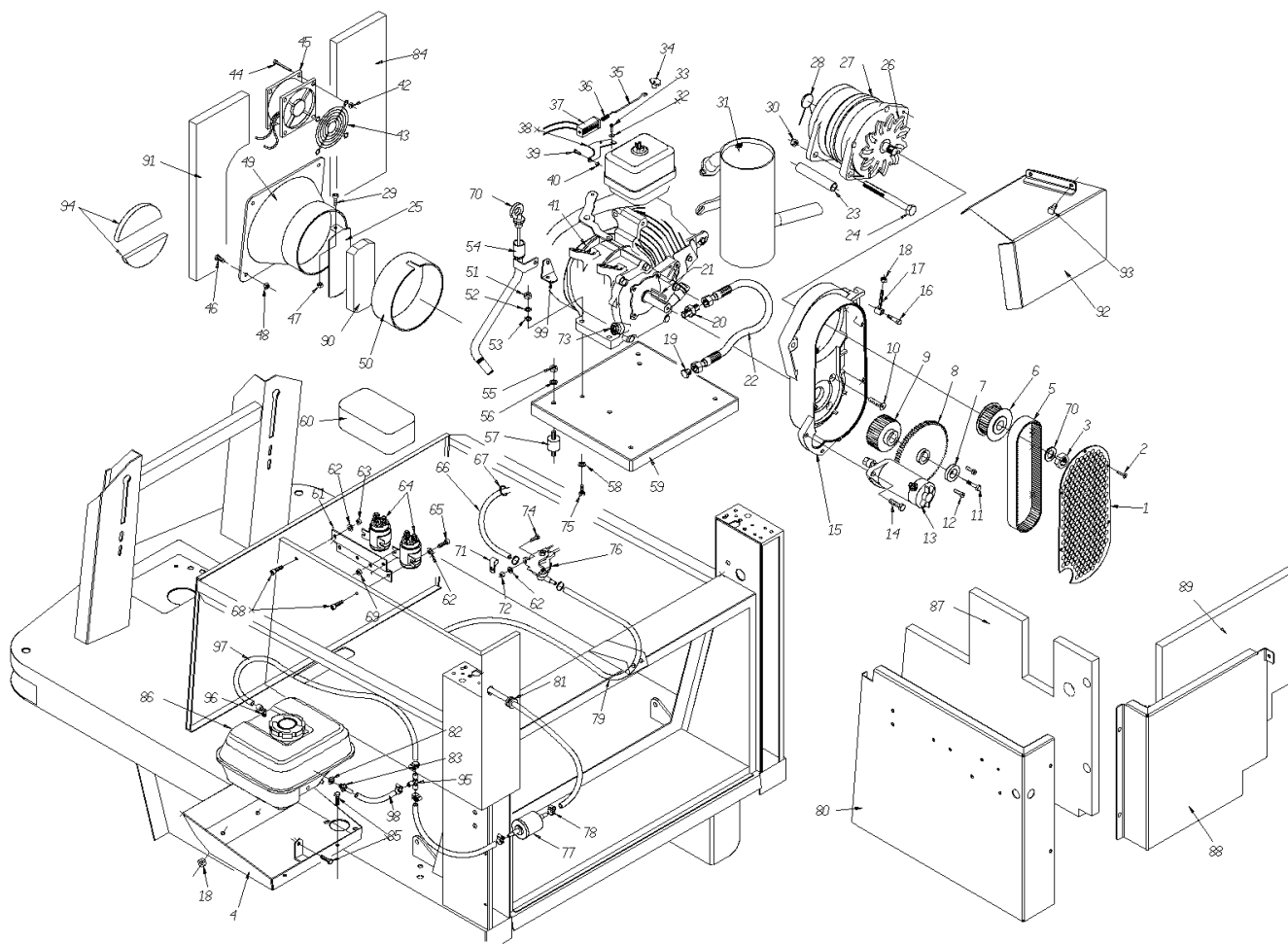
| Ref. | K | Part N. | Customer Part N. | Description | Qty | Validity: | | Price |
|------|---|-----------|------------------|--------------------------------------|------|-----------|----|-------|
| | | | | | | From | To | |
| 0040 | | VTVT00017 | | SCREW TE UNI 5739 8X35 ZB | 4,00 | | | -- |
| 0041 | | LAFN00789 | | ARM SOLLEVAM.TK1200 COMPL ZIN | 1,00 | | | -- |
| 0042 | | LAFN00355 | | CONNECTING ROD COMPLETA | 2,00 | | | -- |
| 0043 | | MPVR00293 | | BUMPER POSTERIORE INF.SX TK1200 | 1,00 | | | -- |
| 0044 | | VTVT01532 | | SCREW TE 6X25 UNI5739 | 2,00 | | | -- |
| 0045 | | LAFN00788 | | ARM PRALELOGRAMMA COMPL.1200 | 1,00 | | | -- |
| 0046 | | CMCV75717 | | CLIP UNI 1676 M6 | 2,00 | | | -- |
| 0046 | | CMCV76639 | | FORK M 6 UNI 1676 | 2,00 | | | -- |
| 0047 | | MPVR00295 | | BUMPER POSTERIORE SUP.SX TK1200 | 1,00 | | | -- |
| 0048 | | LAFN00797 | | CONTOL ROD PARAURTI POSTERIORE COMPL | 2,00 | | | -- |
| 0049 | | CEVR85332 | | HINGE MEB F D.6 TK | 2,00 | | | -- |
| 0050 | | MLML00022 | | SPRING GANCIO ARPIONE | 2,00 | | | -- |
| 0051 | | LAFN00323 | | FLANGE SGANCIO SOLLEVAMENTO 1200 | 2,00 | | | -- |
| 0052 | | LAFN00511 | | PIN ESTERNO BRACCIO DESTRO | 1,00 | | | -- |
| 0053 | | LAFN00512 | | PIN ESTERNO BRACCIO SINISTRO | 1,00 | | | -- |
| 0054 | | VTVT12255 | | SCREW TCEI 6X25 UNI5931 | 2,00 | | | -- |
| 0055 | | LAFN00505 | | PIN GANCIO ARPIONE TK 1200 | 2,00 | | | -- |
| 0056 | | MPVR47125 | | BUSHING D. 16X18X20 GLYC. | 2,00 | | | -- |
| 0057 | | LAFN00790 | | HOOK ARPIONE BRACCIO | 2,00 | | | -- |
| 0058 | | MPVR00011 | | BUSHING GLYCODUR GLY.PG 10-12-20F | 2,00 | | | -- |
| 0059 | | LAFN00791 | | HOOK ARPIONE | 2,00 | | | -- |
| 0060 | | VTVT06237 | | SCREW TCEI 6X20 UNI5931 | 4,00 | | | -- |
| 0061 | | GUGO00036 | | GASKET CASSETTO POSTER.TK1200 | 1,00 | | | -- |



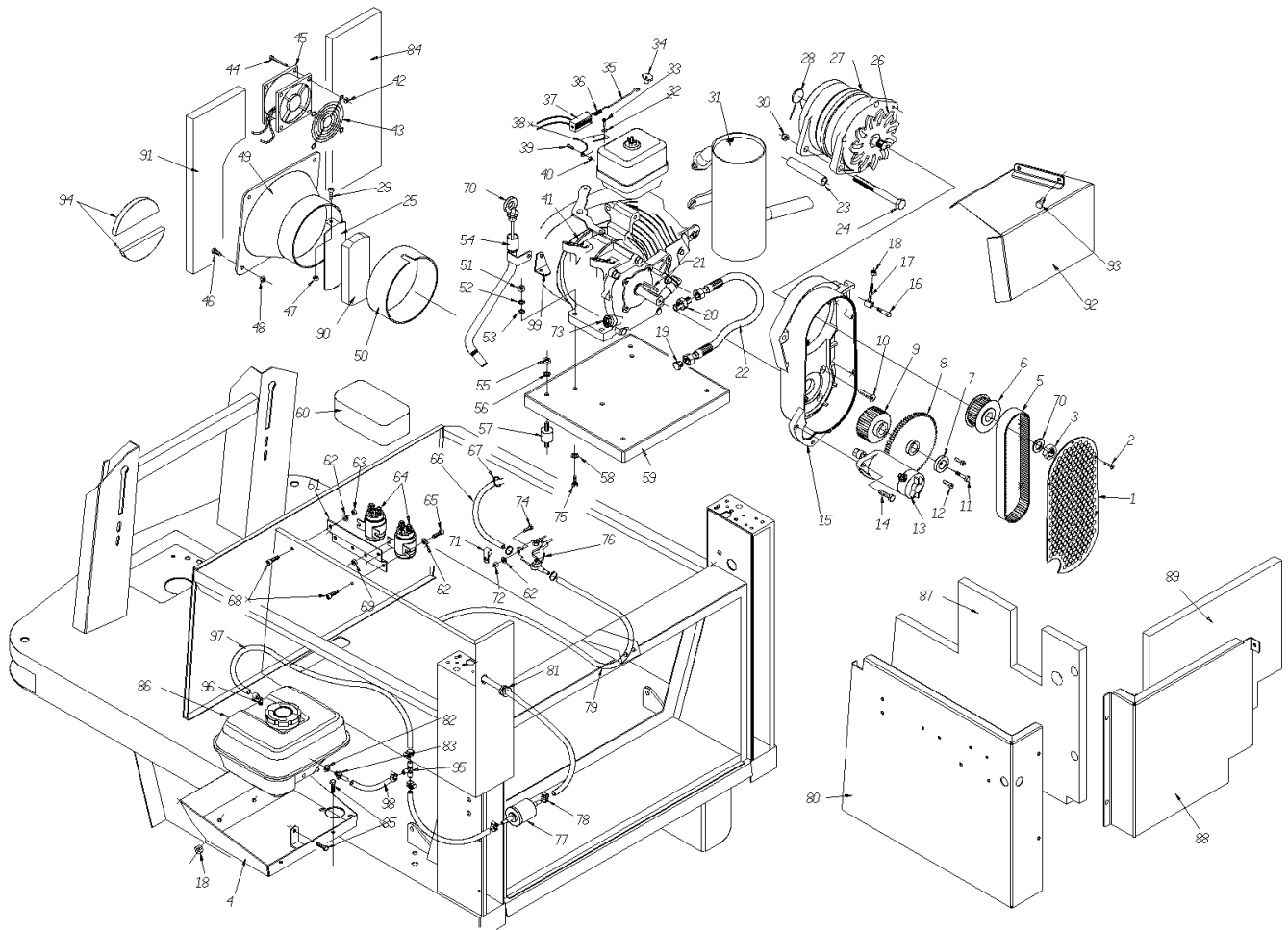
| Ref. | K | Part N. | Customer Part N. | Description | Qty | Validity: | | Price |
|------|---|-----------|------------------|---------------------------------|-------|-----------|----|-------|
| | | | | | | From | To | |
| 0001 | | MLML45109 | | SPRING TR D. 12X1.7X79.5 | 1,00 | | | -- |
| 0002 | | LAFN47128 | | LEVER L.14 | 1,00 | | | -- |
| 0003 | | VTDD00124 | | NUT M 8 BASSO | 1,00 | | | -- |
| 0004 | | LAFN47129 | | BUSHING L.14 A.FLAP | 1,00 | | | -- |
| 0005 | | VTVT00448 | | SCREW TE 8X30 UNI5739 | 1,00 | | | -- |
| 0006 | | CMCV87172 | | CABLE ALZA FLAP 2125404 | 1,00 | | | -- |
| 0007 | | CMCV75717 | | CLIP UNI 1676 M6 | 1,00 | | | -- |
| 0008 | | VTDD00012 | | NUT AUTOBLOK DIN 985 M12 ZB | 1,00 | | | -- |
| 0009 | | VTRS00506 | | WASHER D.12 UNI 6592 | 4,00 | | | -- |
| 0010 | | LAFN75976 | | SPRING GUIDE TK 1000 | 1,00 | | | -- |
| 0011 | | FSVR00005 | | CLAMP TIPO "ECO"FORO MM8 D.1 W0 | 1,00 | | | -- |
| 0012 | | VTVR47015 | | INSERT PLS. D.3 | 10,00 | | | -- |
| 0013 | | MPVR00754 | | FLAP ANTERIORE TK1200 COMPL. | 1,00 | | | -- |
| 0014 | | CMCV76639 | | FORK M 6 UNI 1676 | 2,00 | | | -- |
| 0015 | | LAFN00517 | | PIN TIRANTE ALZAFLAP ZINC. | 1,00 | | | -- |
| 0016 | | LAFN00324 | | CLAMP FLAP ANTER.TK1200 ZINC. | 1,00 | | | -- |
| 0017 | | VTVT00044 | | SCREW TC AF.X PLAS UNI9707 4X16 | 9,00 | | | -- |
| 0018 | | CMCV75904 | | BRAKE SHEATH TK 1000E/S | 1,00 | | | -- |
| 0019 | | CMCV75723 | | REGISTER D.7 | 1,00 | | | -- |
| 0020 | | LAFN75975 | | PIN TK | 1,00 | | | -- |
| 0021 | | VTAE14016 | | CIRCLIP D. 12 UNI 7435 | 2,00 | | | -- |
| 0022 | | VTRS00505 | | WASHER D.10 TE UNI 6592 | 1,00 | | | -- |
| 0023 | | VTVT47143 | | SCREW TSPEI M 10X 16 ZC UNI5933 | 1,00 | | | -- |
| 0024 | | VTDD01682 | | NUT M12 ZC UNI 5588 | 1,00 | | | -- |
| 0025 | | LAFN75973 | | PIN FLAP TK | 1,00 | | | -- |
| 0026 | | VTVR00028 | | CLAMP PER CASSETTO G1300 | 1,00 | | | -- |
| 0027 | | VTVT75731 | | SCREW UNI 5923 6 X5 | 1,00 | | | -- |
| 0028 | | LAFN47030 | | BUSHING L.14 | 1,00 | | | -- |
| 0029 | | MPVR45096 | | RUBBER V 1201 GR. | 1,00 | | | -- |
| 0030 | | LAFN47133 | | PEDALE L.14 FLAP | 1,00 | | | -- |
| 0031 | | MPVR05017 | | FLAP - | 1,00 | | | -- |
| 0032 | | LAFN06826 | | SHEET METAL PA.FLAP | 1,00 | | | -- |
| 0033 | | VTDD00491 | | NUT M 6 TEF | 8,00 | | | -- |
| 0034 | | MPVR00755 | | FLAP POSTERIORE FISSO TK1200 | 1,00 | | | -- |
| 0035 | | VTRS00503 | | WASHER D. 6 TE UNI 6798 | 6,00 | | | -- |
| 0036 | | PMVR00290 | | HANDLE BLOCCAG.FILTRO TK1200 | 2,00 | | | -- |
| 0037 | | PMVR00289 | | FRAME PORTA FILTRO | 1,00 | | | -- |
| 0038 | | FTDP76067 | | FILTER SW1000 | 1,00 | | | -- |
| 0039 | | MPVR45784 | | COVER CHIUSURA FILTRO | 1,00 | | | -- |



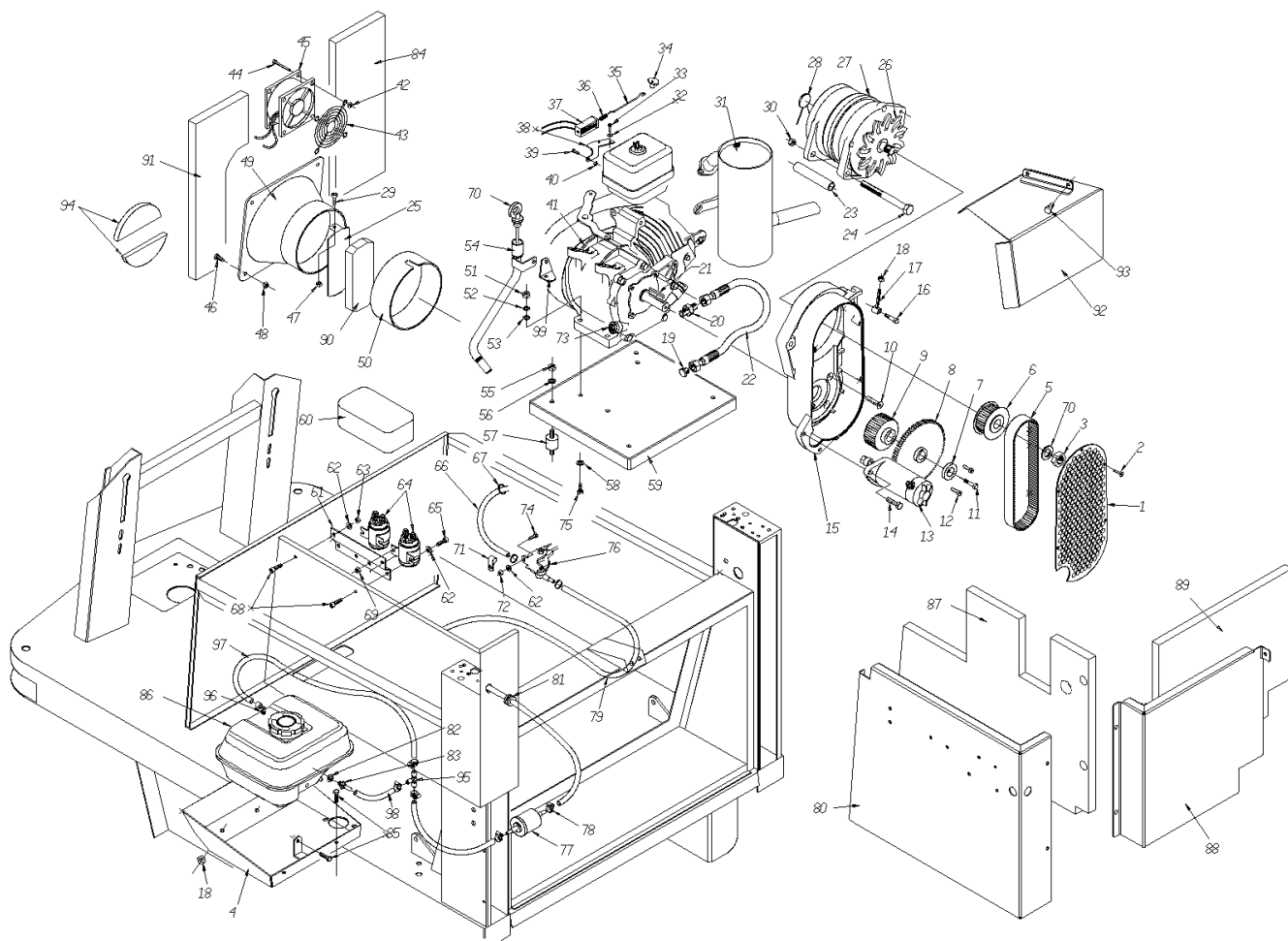
| Ref. K | Part N. | Customer Part N. | Description | Qty | Validity: | | Price |
|--------|-----------|------------------|-----------------------------------|-------|-----------|----|-------|
| | | | | | From | To | |
| 0040 | CHVR26517 | | DRAWER CLOSURE LOLY 50 | 4,00 | | | -- |
| 0042 | LAFN00908 | | BRACKET VENTOLA | 1,00 | | | -- |
| 0043 | PMVR00500 | | TUNNEL ESPULSIONE ARIA TK1200 | 1,00 | | | -- |
| 0044 | VTVT75726 | | SCREW TBEI M 6X 16 ISO 7380 ZB | 18,00 | | | -- |
| 0045 | GUVR46899 | | GASKET COPERCHIO | 1,00 | | | -- |
| 0046 | MOCC00008 | | MOTOR SUCTION GENIUS SWEEPER | 1,00 | | | -- |
| 0047 | MOCC45112 | | MOTOR 24V CC ECC. | 1,00 | | | -- |
| 0048 | VTVT47138 | | SCREW TSP-TC 3,9X32 ZC. UNI6955 | 8,00 | | | -- |
| 0049 | LAFN47139 | | MOTOR COVER L.14 FILT. | 4,00 | | | -- |
| 0050 | VTVT75731 | | SCREW UNI 5923 6 X5 | 4,00 | | | -- |
| 0051 | LAFN47140 | | BUSHING L.14 | 4,00 | | | -- |
| 0052 | VTVT76616 | | SCREW M 4x18 STEAM GUN | 12,00 | | | -- |
| 0053 | MFVR47141 | | FLANGE MOTOR L.14 | 4,00 | | | -- |
| 0054 | MOCC00004 | | MOTOR D.63 24V G3800 W35 | 1,00 | | | -- |
| 0055 | LAFN00855 | | BRACKET BLOCCA FILTRO G1200 VERN. | 1,00 | | | -- |
| 0056 | VTDD13261 | | NUT M 8X1 UNI 5589 | 4,00 | | | -- |
| 0057 | VTVT62920 | | SCREW TE F/ROND. M 6X 16 ZB | 2,00 | | | -- |
| 0058 | MPVR00765 | | RUBBER FISSAGGIO FILO SCUOTIFIL. | 2,00 | | | -- |



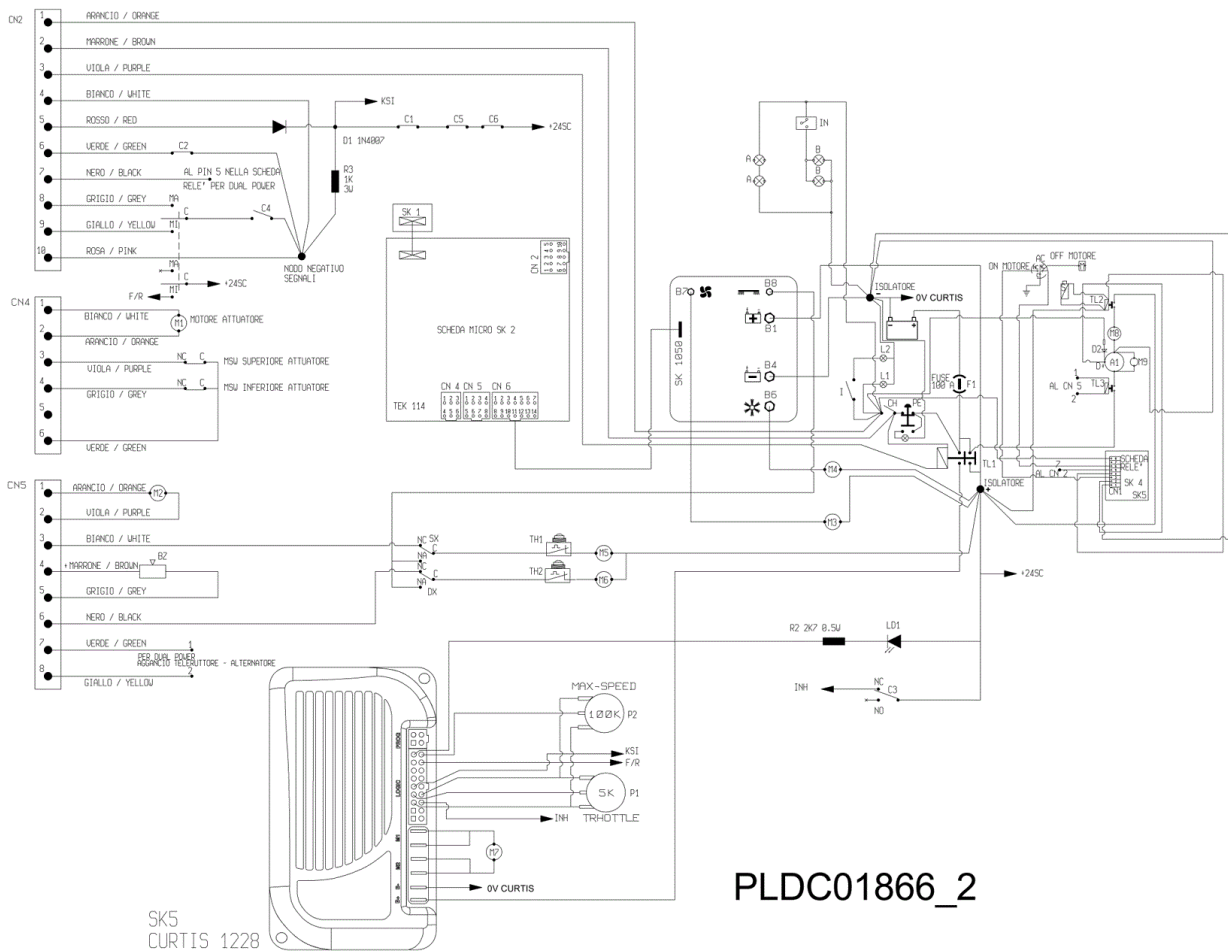
| Ref. | K | Part N. | Customer Part N. | Description | Qty | Validity: | | Price |
|------|---|-----------|------------------|--------------------------------|------|-----------|----|-------|
| | | | | | | From | To | |
| 0001 | | LAFN47152 | | BRACKET PROTEZIONE | 1,00 | | | -- |
| 0002 | | VTVT00005 | | SCREW TE FR 5X12 ZB | 5,00 | | | -- |
| 0003 | | LAFN00271 | | NUT FISSA PULEGGIA ALTERNA. | 1,00 | | | -- |
| 0004 | | LAFN00793 | | BRACKET SERBATOIO BENZINA | 1,00 | | | -- |
| 0005 | | MTCG44555 | | BELT HTD 565-5M 25 | 1,00 | | | -- |
| 0006 | | MTPL00019 | | PULLEY ALTER.44-RPP5-25 TK1300 | 1,00 | | | -- |
| 0007 | | LAFN06832 | | WASHER BLOCCA INGRANAGGIO | 1,00 | | | -- |
| 0008 | | MTCR45720 | | TOOTHED WHEEL Z. 80 P. 1.75 | 1,00 | | | -- |
| 0009 | | MTPL00020 | | PULLEY 40RPP5-25 MOT.HONDA5.5 | 1,00 | | | -- |
| 0010 | | VTVT63134 | | SCREW M 8X25 TSPEI ZC UNI 5933 | 4,00 | | | -- |
| 0011 | | VTVT00448 | | SCREW TE 8X30 UNI5739 | 1,00 | | | -- |
| 0012 | | VTVT00066 | | SCREW TCCE UNI 5931 8X25 ZB | 2,00 | | | -- |
| 0013 | | MOCC45115 | | MOTOR 24V 300W SX | 1,00 | | | -- |
| 0014 | | VTVT01119 | | SCREW TCEI 8X20 UNI5931 | 2,00 | | | -- |
| 0015 | | MFVR47154 | | CRANKCASE L.14 | 1,00 | | | -- |
| 0016 | | VTVT28307 | | SCREW TCCE UNI 5931 10X70 ZN | 1,00 | | | -- |
| 0017 | | LAFN47168 | | BELT-STRETCHER L.14 | 1,00 | | | -- |
| 0018 | | VTDD19688 | | NUT M6 UNI 7473 | 1,00 | | | -- |
| 0019 | | RCDS00002 | | CAP 1/4" | 1,00 | | | -- |
| 0020 | | RCDS47173 | | NIPPLE 1/4 -M10X1.25 | 1,00 | | | -- |
| 0021 | | VTVR47158 | | KEY 5X 5X41 UNI 6604 | 1,00 | | | -- |
| 0022 | | TBBP47172 | | L.P. HOSE L=300 1/4F -1/4F 0° | 1,00 | | | -- |
| 0023 | | LAFN47157 | | SPACER L.14 | 1,00 | | | -- |
| 0024 | | VTVT16260 | | SCREW TE M 10X160 UNI 5737 ZC | 1,00 | | | -- |
| 0025 | | LAFN06980 | | SHEET METAL PA.PARZIALIZZATORE | 1,00 | | | -- |
| 0026 | | VEVR47160 | | IMPELLER ALTER. A.OR. | 1,00 | | | -- |
| 0027 | | ARGN00004 | | ALTERNATOR 28V-80A | 1,00 | | | -- |
| 0028 | | METK47170 | | PROBE F11-140° NC | 1,00 | | | -- |
| 0029 | | VTVT75725 | | SCREW TBEI M 6X 10 ISO 7380 ZB | 2,00 | | | -- |
| 0030 | | VTDD00042 | | NUT AUT.M10 UNI7474 | 1,00 | | | -- |
| 0031 | | MRSC00069 | | SILENCER HD COMPLETA | 1,00 | | | -- |
| 0032 | | VTRS27296 | | WASHER GROWER 3 ZNT | 2,00 | | | -- |
| 0033 | | VTVT10068 | | SCREW TC -TC 3X 6 UNI 7687 | 2,00 | | | -- |
| 0034 | | MEVR45117 | | BALANCER L.14 | 1,00 | | | -- |
| 0035 | | MEVR45118 | | CONNECTING ROD L.14 | 1,00 | | | -- |
| 0036 | | MLML45119 | | SPRING L.14 | 1,00 | | | -- |
| 0037 | | MEVR45120 | | SOLENOID K9B-36DL-1041 | 1,00 | | | -- |
| 0038 | | LAFN47155 | | BRACKET L.14 | 1,00 | | | -- |
| 0039 | | VTVT00107 | | SCREW TCTC UNI 7687 3X12 ZB | 1,00 | | | -- |



| Ref. | K | Part N. | Customer Part N. | Description | Qty | Validity: | | Price |
|------|---|-----------|------------------|--|------|-----------|----|-------|
| | | | | | | From | To | |
| 0040 | | VTDD00001 | | NUT UNI 5588 M3 ZB | 1,00 | | | -- |
| 0041 | | MODS00001 | | MOTOR HONDA GX 160 K1 SX4 OH | 1,00 | | | -- |
| 0042 | | VTDD00039 | | NUT M 4 AB UNI7474 ZC 10/8G | 4,00 | | | -- |
| 0043 | | LAFN00009 | | BRACKET PROTEZIONE | 1,00 | | | -- |
| 0044 | | VTVT72043 | | SCREW M 4 X16 TC UNI7687 | 4,00 | | | -- |
| 0045 | | VEVR45113 | | VENTILATOR 24V RF. | 1,00 | | | -- |
| 0046 | | VTVT75726 | | SCREW TBEI M 6X 16 ISO 7380 ZB | 4,00 | | | -- |
| 0047 | | VTDD86633 | | NUT AUTO BLOCK M6 DIN 985 | 2,00 | | | -- |
| 0048 | | VTDD00491 | | NUT M 6 TEF | 4,00 | | | -- |
| 0049 | | LAFN45978 | | CONVEYOR L.14 | 1,00 | | | -- |
| 0050 | | GUVR45977 | | GASKET L.14 | 1,00 | | | -- |
| 0051 | | VTDD00124 | | NUT M 8 BASSO | 4,00 | | | -- |
| 0052 | | VTRS01080 | | WASHER D. 8 GRW | 4,00 | | | -- |
| 0053 | | VTRS00504 | | WASHER D. 8 TE ZC. UNI 6592 | 4,00 | | | -- |
| 0054 | | LAFN06796 | | TUBE ASTA LIVELLO OLIO | 1,00 | | | -- |
| 0055 | | VTDD00124 | | NUT M 8 BASSO | 4,00 | | | -- |
| 0056 | | VTRS00512 | | WASHER D. 8 X24 ZC. | 4,00 | | | -- |
| 0057 | | ABGO00007 | | VIBRATION DAMP.MM 30X25 8X16 | 4,00 | | | -- |
| 0058 | | VTRS00512 | | WASHER D. 8 X24 ZC. | 4,00 | | | -- |
| 0059 | | LAFN47159 | | MOTOR PLATE L.14 | 1,00 | | | -- |
| 0060 | | MPVR47166 | | PROTECTION L.14 TLR. | 1,00 | | | -- |
| 0061 | | LAFN47167 | | BRACKET L.14 | 1,00 | | | -- |
| 0062 | | VTRS00503 | | WASHER D. 6 TE UNI 6798 | 2,00 | | | -- |
| 0063 | | VTDD00491 | | NUT M 6 TEF | 2,00 | | | -- |
| 0064 | | METT45116 | | CONTACTOR 24V T106 P | 2,00 | | | -- |
| 0065 | | VTVT62920 | | SCREW TE F/ROND. M 6X 16 ZB | 2,00 | | | -- |
| 0067 | | FSVR19693 | | CLAMP D. 7-11 | 1,00 | | | -- |
| 0068 | | VTVT62920 | | SCREW TE F/ROND. M 6X 16 ZB | 2,00 | | | -- |
| 0069 | | VTDD00491 | | NUT M 6 TEF | 2,00 | | | -- |
| 0070 | | TBBP00383 | | ROD LIVELLO OLIO | 1,00 | | | -- |
| 0071 | | FSVR00005 | | CLAMP TIPO "ECO"FORO MM8 D.1 W0 | 1,00 | | | -- |
| 0072 | | VTDD00482 | | NUT M 6 ZIN UNI 5588 | 2,00 | | | -- |
| 0073 | | MPVR04911 | | RUBBER ASTA LIVELLO OLIO | 1,00 | | | -- |
| 0074 | | VTVT00527 | | SCREW TE FR 6X10 ZB ZIG. | 2,00 | | | -- |
| 0075 | | VTVT00450 | | SCREW TE 8X40 UNI5739 | 4,00 | | | -- |
| 0076 | | MEEV47161 | | SOLENOID VALVE FUEL | 1,00 | | | -- |
| 0077 | | FTCO34840 | | FUEL FILTER FB 7/A NYL. | 1,00 | | | -- |
| 0078 | | FSVR19692 | | CLAMP D. 11-16 VT | 9,00 | | | -- |
| 0080 | | LAFN00769 | | SHEET METAL PA.DIVIS.VANO MOTOR.1300 VER | 1,00 | | | -- |



| Ref. | K | Part N. | Customer Part N. | Description | Qty | Validity: | | Price |
|------|---|-----------|------------------|---------------------------------|------|-----------|----|-------|
| | | | | | | From | To | |
| 0081 | | MEVR00094 | | FAIR-LEAD EGP15-20S.60 PAS1 | 1,00 | | | -- |
| 0082 | | GUVR00009 | | GASKET RACC.SERBATOIO BENZINA | 1,00 | | | -- |
| 0083 | | RCVR00037 | | CONNECTOR PORTAGOMMA SERB.HONDA | 1,00 | | | -- |
| 0084 | | ITSO00050 | | PANEL ISOLATORE | 1,00 | | | -- |
| 0085 | | VTVT62920 | | SCREW TE F/ROND. M 6X 16 ZB | 2,00 | | | -- |
| 0086 | | KTRI00257 | | TANK G1202 | 1,00 | | | -- |
| 0087 | | ITSO00051 | | PANEL LAMIERA | 1,00 | | | -- |
| 0088 | | LAFN06982 | | BULKWARD - | 1,00 | | | -- |
| 0089 | | ITSO00053 | | PANEL ISOLATORE | 1,00 | | | -- |
| 0090 | | ITSO00049 | | PANEL ISOLATORE | 1,00 | | | -- |
| 0091 | | ITSO00048 | | PANEL ISOLATORE | 1,00 | | | -- |
| 0092 | | LAFN06981 | | CONVEYOR - | 1,00 | | | -- |
| 0093 | | VTVT01314 | | SCREW TCEI M6 X 12 INOX | 2,00 | | | -- |
| 0094 | | ITSO00007 | | PANEL FONOASS.MEZZALUNA DIESEL | 2,00 | | | -- |
| 0095 | | RCVR00083 | | CONNECTOR A "T" | 1,00 | | | -- |
| 0096 | | RCVR00084 | | CONNECTOR A "L" | 1,00 | | | -- |
| 0097 | | TBBP00023 | | TUBE COMBUSTIBILE L=25cm | 1,00 | | | -- |
| 0099 | | LAFN06838 | | BRACKET FISSA ASTA OLIO | 1,00 | | | -- |



PLDC01866_2

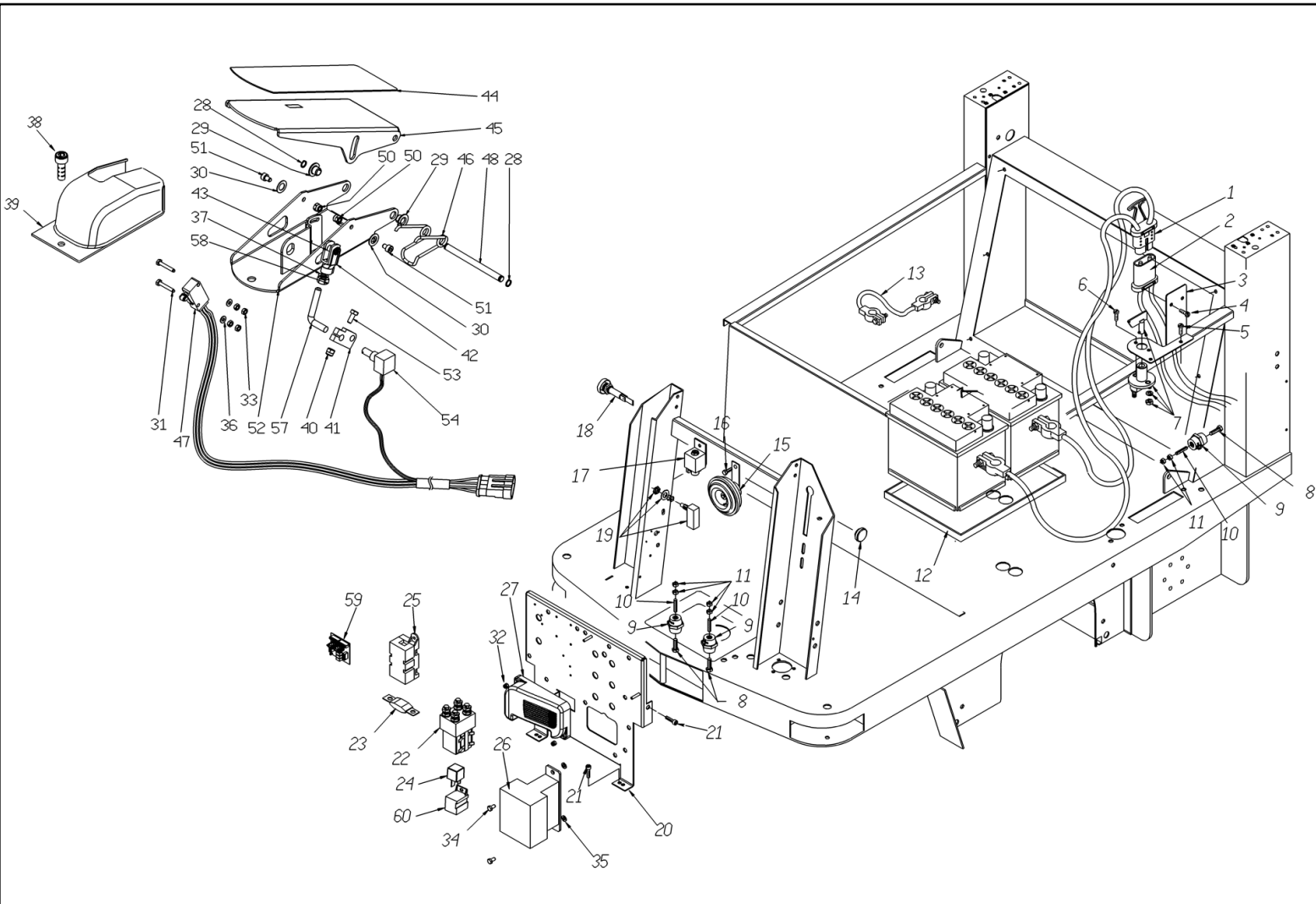
SK5
CURTIS 1228

| Ref. | K | Part N. | Customer Part N. | Description | Qty | Validity: | | Price |
|------|---|-----------|------------------|----------------------------------|------|-----------|----|-------|
| | | | | | | From | To | |
| 00A1 | | ARGN00004 | | ALTERNATOR 28V-80A | 1,00 | | | -- |
| 00C1 | | METK45400 | | PROBE F11- 95° NC | 1,00 | | | -- |
| 00C4 | | MECB01228 | | WIRING - | 1,00 | | | -- |
| 00F1 | | MEVR00145 | | FUSE 100A | 1,00 | | | -- |
| 00M1 | | MOCC00009 | | ATUATOR CENTRAL BRUSH | 1,00 | | | -- |
| 00M2 | | MOCC45112 | | MOTOR 24V CC ECC. | 1,00 | | | -- |
| 00M3 | | MOCC00008 | | MOTOR SUCTION GENIUS SWEEPER | 1,00 | | | -- |
| 00M4 | | MOCC00282 | | MOTOR BRUSH IP44 G1202-1303 | 1,00 | | | -- |
| 00M5 | | RDGR75785 | | MOTOR.GEARBOX AOMP140 24V 90W SX | 1,00 | | | -- |
| 00M6 | | RDGR75784 | | MOTOR.GEARBOX AOMP140 24V TK1000 | 1,00 | | | -- |
| 00M7 | | MOCC00007 | | MOTOR.GEARBOX TRAZIONE TK1300 DP | 1,00 | | | -- |
| 00P1 | | MECB01227 | | WIRING ACCELERATOR | 1,00 | | | -- |
| 0SK2 | | MECE00498 | | BOARD G1050-G1202 | 1,00 | | | -- |
| 0SK3 | | MECE00503 | | BOARD MICRO COMPLETA | 1,00 | | | -- |
| 0SK4 | | MECE45124 | | PCB RELE' L.1400 | 1,00 | | | -- |
| 0SK5 | | MECE00497 | | BOARD CURTIS TR. CARD 1050-1202 | 1,00 | | | -- |
| 0TL2 | | METT45116 | | CONTACTOR 24V T106 P | 1,00 | | | -- |
| 0TL3 | | METT45116 | | CONTACTOR 24V T106 P | 1,00 | | | -- |

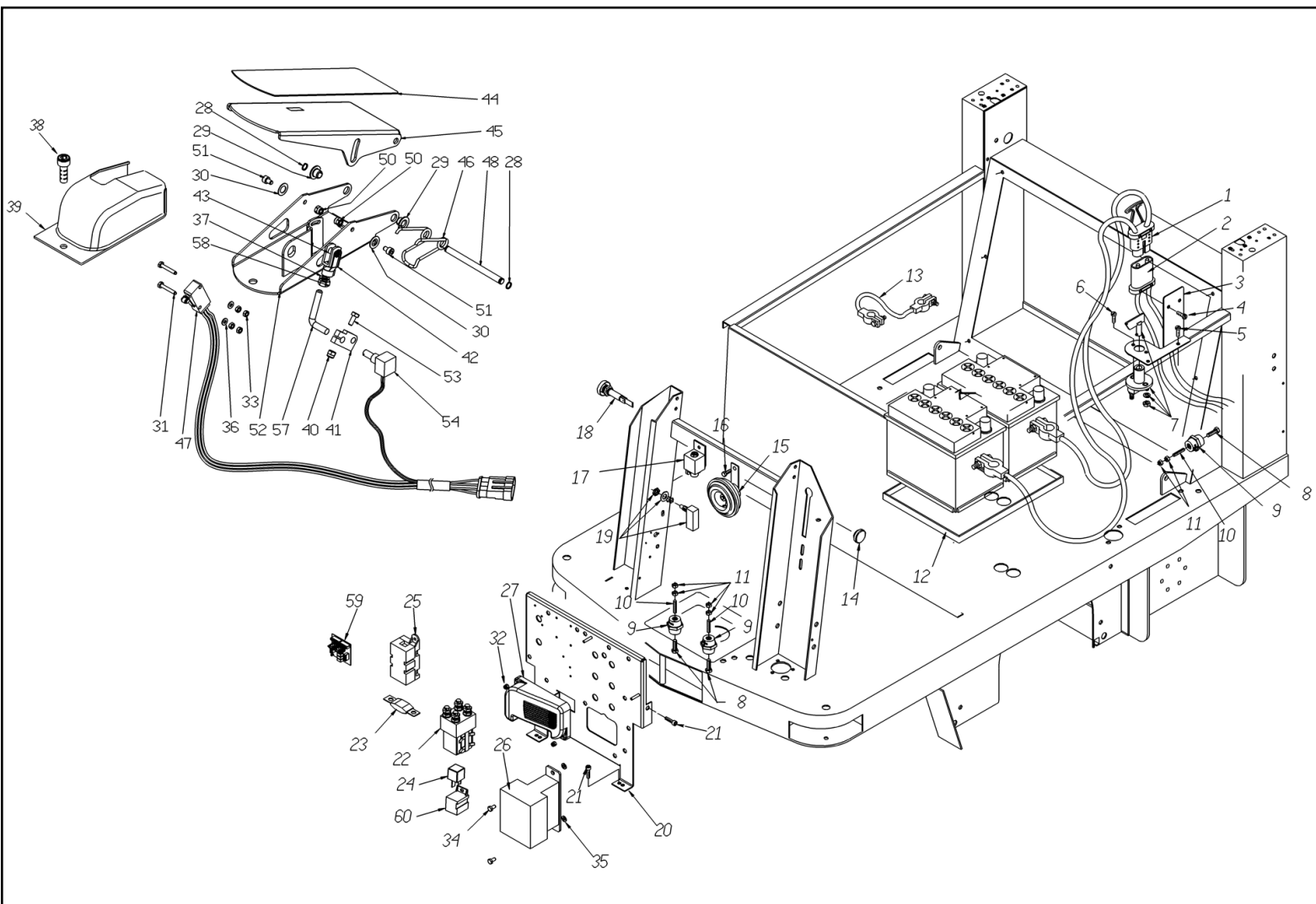
| | | | | | |
|-----|--------------------------------------|--|-----|-------------------------------------|--|
| M1 | MOTORE ATTUATORE | ACTUATOR MOTOR | BZ | BUZZER | BUZZER |
| M2 | MOTORE SQUOTIFILTRO | FILTERSHAKER MOTOR | F1 | FUSIBILE 100 A | FUSE 100 A |
| M3 | MOTORE ASPIRAZIONE | SUCTION MOTOR | SK1 | PLANCIA COMANDI | DASHBOARD |
| M4 | MOTORE SPAZZOLA CENTRALE | CENTRAL BRUSH MOTOR | SK2 | SCHEDA MICRO | MICRO CARD |
| M5 | MOTORE SPAZZOLA LATERALE SINISTRA | LEFT BRUSH MOTOR | SK3 | SCHEDA POTENZA | OUTPUT CARD |
| M6 | MOTORE SPAZZOLA LATERALE DESTRA | RIGHT BRUSH MOTOR | SK4 | SCHEDA RELE* | RELAY CARD |
| M7 | MOTORE TRAZIONE | TRACTION MOTOR | M1 | MARCIA INDIETRO | REVERS GEAR |
| M8 | MOTORINO AVVIAMENTO 300W 24V | STARTER 300W 24V | MA | MARCIA AVANTI | FORWARD GEAR |
| M9 | VENTOLA DI RAFFREDDAMENTO 8W 24V | COOLING FAN 8W 24V | AC | INTERRUT. ON/OFF MOTORE ENDOTERMICO | GAS ENGINE ON/OFF SWITCH |
| TL1 | TELERUTTORE BIPOLARE | ELECTROMAGNETIC SWITCH BIPOLAR | R1 | RESISTENZA CORAZZATA 100 OHM 25 W | CAST IN TUBULAR HEATING ELEMENT 100 OHM 25 W |
| TL2 | TELERUTTORE AVVIAM. MOTORE 120A 24V | MOT. START. REMOTE CONTROL SWITCH 120A 24V | D2 | DIODO NON RITORNO D+ | NO RETURN DIODE D+ |
| TL3 | TELERUTTORE AGGANCIO ALTER. 120A 24V | ALTER.HOOKING REMOTE CONTROL SWITCH 120A 24V | A1 | ALTERNATORE 50A 28V | ALTERNATOR 50A 28V |
| C1 | CLIXON MOTORE TRAZ | CLIXON TRACTION MOTOR | S | SOLENOIDE CHIUSURA ARIA CARBURATORE | CARBURETOR AIR CLOSURE SOLENOID |
| C2 | LIVELLO TROPPO PIENO | OVERFILLING LEVEL | A | LUCI ANABBAGLIANTI | DIPPED HEADLIGHTS |
| C3 | MSW SEDILE | MSW SEAT | B | LUCI INTERMITTENTI | FLASHING LIGHTS |
| C4 | MSW PEDALE AVANZAMENTO | MSW ADVANCEMENT PEDAL | I | INTERRUTTORE FARO ANTERIORE | SWITCH FRONT LIGHTS |
| C5 | SENSORE TEMPERATURA MOT.ALTERN. 140° | TEMPERATUR SENSOR ALTER . MOTOR 140° | IN | RELE* LUCI INTERMITTENZA | FLASHING LIGHTS RELE* |
| C6 | CLIXON MOTORE SPAZZOLA | CLIXON BRUSH MOTOR | P1 | POTENZIOMETRO PEDALIERA 4K7 | RUDDER PEDALS POTENTIOMETER 4K7 |
| CH | INTERRUTTORE CHIAVE | KEY SWITCH | P2 | POTENZIOMETRO VEL. MASSIMA | MAX SPEED POTENTIOMETER |
| PE | PULSANTE EMERGENZA | EMERGENCY PUSHBUTTON | LD1 | LED STATO CURTIS | STATUS LED SURTIS |
| R3 | RESISTENZA CIRCUITO TERMICA | THERMAL CIRCUIT RESISTOR | R2 | RESISTENZA-LED STATO CURTIS | RESISTOR STATUS LED SURTIS |
| D1 | DIODO CIRCUITO TERMICA | THERMAL CIRCUIT DIODE | SK5 | SCHEDA CURTIS | CURTIS CONTROLLER |
| TH1 | PROTEZIONE TERMICA SPZ. LATERALE SX | THERMAL CUT LEFT BRUSH MOTOR | | | |
| TH2 | PROTEZIONE TERMICA SPZ. LATERALE DX | THERMAL CUT RIGHT BRUSH MOTOR | | | |

PLDC01866_2

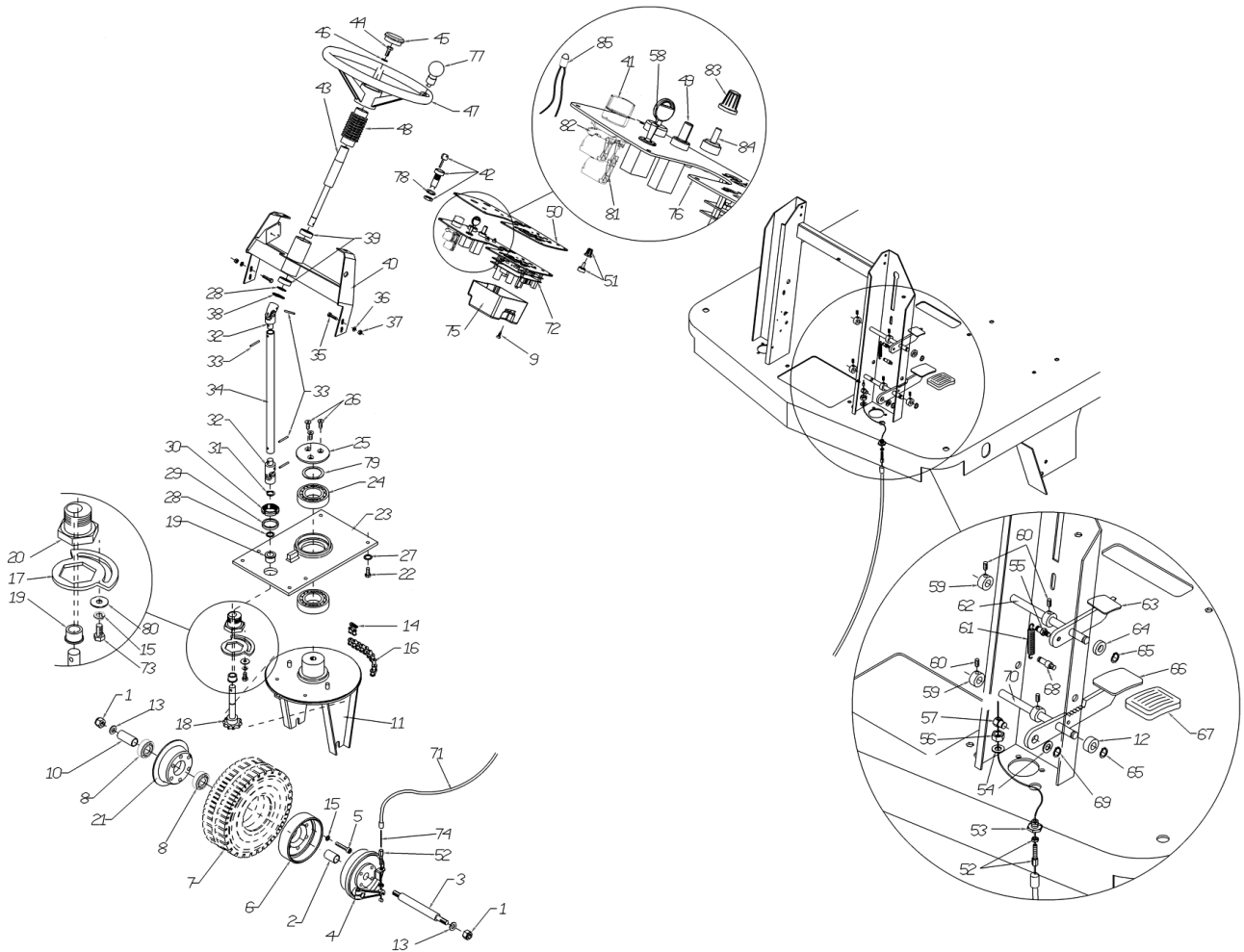
| Ref. | K | Part N. | Customer Part N. | Description | Qty | Validity: | | Price |
|------|---|-----------|------------------|----------------------------------|------|-----------|----|-------|
| | | | | | | From | To | |
| 00A1 | | ARGN00004 | | ALTERNATOR 28V-80A | 1,00 | | | -- |
| 00C1 | | METK45400 | | PROBE F11- 95° NC | 1,00 | | | -- |
| 00C4 | | MECB01228 | | WIRING - | 1,00 | | | -- |
| 00F1 | | MEVR00145 | | FUSE 100A | 1,00 | | | -- |
| 00M1 | | MOCC00009 | | ATUATOR CENTRAL BRUSH | 1,00 | | | -- |
| 00M2 | | MOCC45112 | | MOTOR 24V CC ECC. | 1,00 | | | -- |
| 00M3 | | MOCC00008 | | MOTOR SUCTION GENIUS SWEEPER | 1,00 | | | -- |
| 00M4 | | MOCC00282 | | MOTOR BRUSH IP44 G1202-1303 | 1,00 | | | -- |
| 00M5 | | RDGR75785 | | MOTOR.GEARBOX AOMP140 24V 90W SX | 1,00 | | | -- |
| 00M6 | | RDGR75784 | | MOTOR.GEARBOX AOMP140 24V TK1000 | 1,00 | | | -- |
| 00M7 | | MOCC00007 | | MOTOR.GEARBOX TRAZIONE TK1300 DP | 1,00 | | | -- |
| 00P1 | | MECB01227 | | WIRING ACCELERATOR | 1,00 | | | -- |
| 0SK2 | | MECE00498 | | BOARD G1050-G1202 | 1,00 | | | -- |
| 0SK3 | | MECE00503 | | BOARD MICRO COMPLETA | 1,00 | | | -- |
| 0SK4 | | MECE45124 | | PCB RELE' L.1400 | 1,00 | | | -- |
| 0SK5 | | MECE00497 | | BOARD CURTIS TR. CARD 1050-1202 | 1,00 | | | -- |
| OTL2 | | METT45116 | | CONTACTOR 24V T106 P | 1,00 | | | -- |
| OTL3 | | METT45116 | | CONTACTOR 24V T106 P | 1,00 | | | -- |



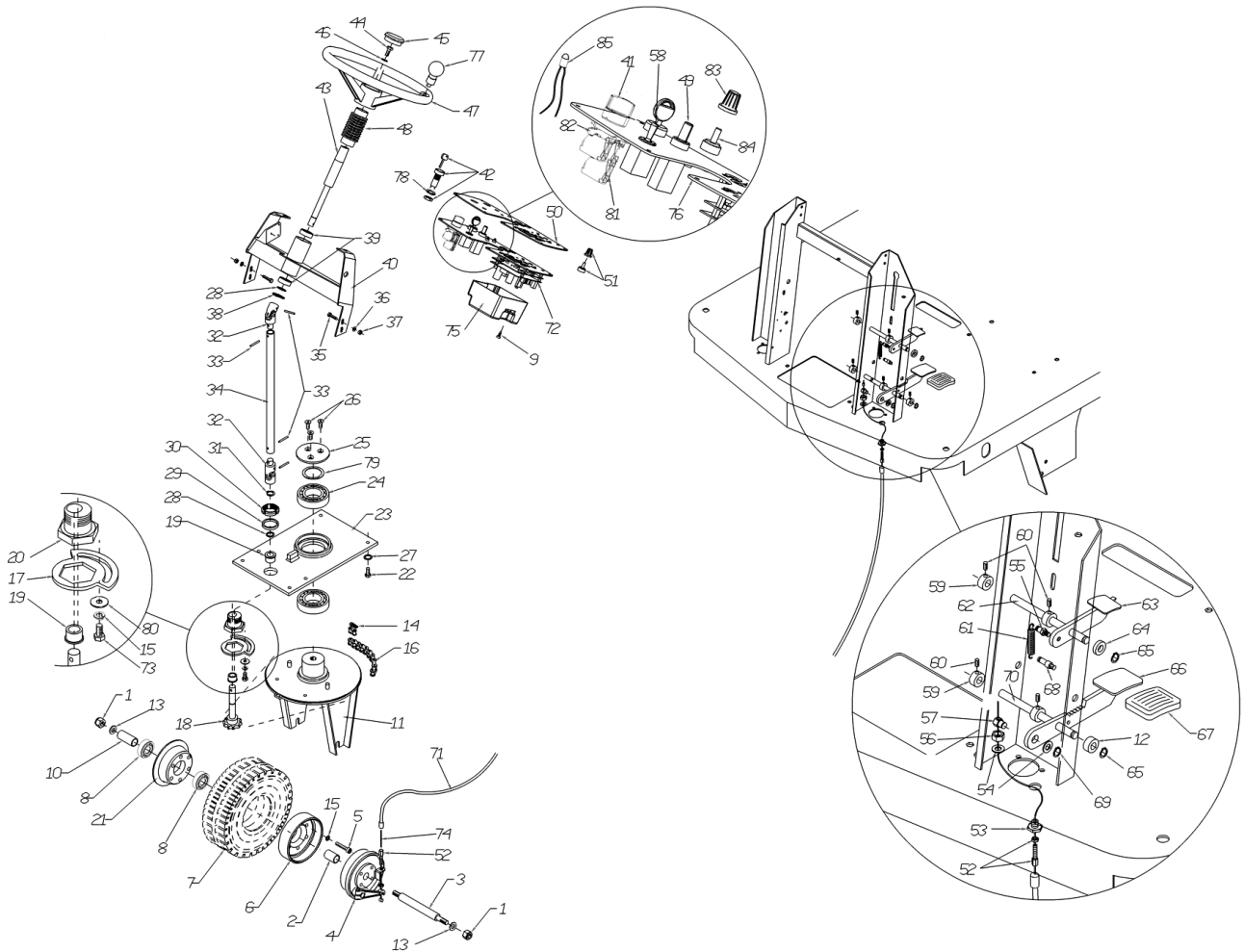
| Ref. | K | Part N. | Customer Part N. | Description | Qty | Validity: | | Price |
|------|---|-----------|------------------|---------------------------------|------|-----------|----|-------|
| | | | | | | From | To | |
| 0001 | | MECB44779 | | WIRING INTERNO BATTERIE | 1,00 | | | -- |
| 0002 | | MEVR44180 | | PLUG FT 80 | 1,00 | | | -- |
| 0003 | | LAFN87621 | | PLATE PORTA PRESA TK1300/1200 | 1,00 | | | -- |
| 0004 | | VTVT00128 | | SCREW TC M4X30 | 2,00 | | | -- |
| 0005 | | VTVT13515 | | SCREW TSPEI M6x16 UNI5933 10.9 | 2,00 | | | -- |
| 0006 | | VTVT09913 | | SCREW TCEI 6X16 UNI5931 | 2,00 | | | -- |
| 0007 | | AZMC75803 | | DIASASS.SPANNERSW 1000 | 1,00 | | | -- |
| 0008 | | VTVT00527 | | SCREW TE FR 6X10 ZB ZIG. | 3,00 | | | -- |
| 0009 | | MEVR47082 | | INSULATOR M6 35-CH32 | 3,00 | | | -- |
| 0010 | | VTVT47088 | | SCREW EI-ST 6X30 UNI5923 ZC | 3,00 | | | -- |
| 0011 | | VTDD00482 | | NUT M 6 ZIN UNI 5588 | 6,00 | | | -- |
| 0012 | | MPVR00296 | | CONTAINER BATTERIA TK1200 | 1,00 | | | -- |
| 0013 | | MEVR34820 | | WIRING B 450 BT | 3,00 | | | -- |
| 0014 | | MPVR00048 | | CAP DIAM.22 NERO P9ARHPR | 1,00 | | | -- |
| 0015 | | MEVR47083 | | KLAXON L.14 24V | 1,00 | | | -- |
| 0016 | | VTVT85116 | | SCREW TE FR 6,3X19 ZIN | 1,00 | | | -- |
| 0017 | | MECE00428 | | SWITCH RELAY 24V | 1,00 | | | -- |
| 0018 | | MECI00028 | | BUTTON DI EMERGENZA TK1400 24V | 1,00 | | | -- |
| 0019 | | MECI75801 | | MICROSWITCH TK | 2,00 | | | -- |
| 0020 | | LAFN06784 | | PLATE SUPPORTO ELETTRONICA | 1,00 | | | -- |
| 0021 | | VTVT62920 | | SCREW TE F/ROND. M 6X 16 ZB | 4,00 | | | -- |
| 0022 | | MECI00532 | | CONTACTOR 24V-100A | 1,00 | | | -- |
| 0023 | | MEVR00145 | | FUSE 100A | 1,00 | | | -- |
| 0024 | | MECI00005 | | RELAY 24V 10/20A | 1,00 | | | -- |
| 0025 | | MEVR00146 | | FUSE-HOLDER MEGA | 1,00 | | | -- |
| 0026 | | MECE00495 | | BOARD 1050 | 1,00 | | | -- |
| 0027 | | MECE00497 | | BOARD CURTIS TR. CARD 1050-1202 | 1,00 | | | -- |
| 0028 | | VTAE48552 | | CIRCLIP D. 6 UNI 7435 | 1,00 | | | -- |
| 0029 | | CUVR00183 | | BUSHING - | 2,00 | | | -- |
| 0030 | | MPVR05528 | | WASHER - | 2,00 | | | -- |
| 0031 | | VTVT01350 | | SCREW M3-20 INOX | 2,00 | | | -- |
| 0032 | | VTDD08171 | | NUT M 5 TEF | 2,00 | | | -- |
| 0033 | | VTDD21115 | | NUT M 3 INOX | 4,00 | | | -- |
| 0034 | | VTVT01127 | | SCREW TE M6x20 | 2,00 | | | -- |
| 0035 | | VTRS00365 | | THICKNESS 18X25X1 | 2,00 | | | -- |
| 0036 | | VTRS00117 | | WASHER 3.2X7 UNI6592 | 2,00 | | | -- |
| 0037 | | VTRS01079 | | WASHER D. 6 GROWER | 1,00 | | | -- |
| 0038 | | VTVT62920 | | SCREW TE F/ROND. M 6X 16 ZB | 1,00 | | | -- |
| 0039 | | MPVR00302 | | CRANKCASE PEDALE AVANZAMENTO | 1,00 | | | -- |



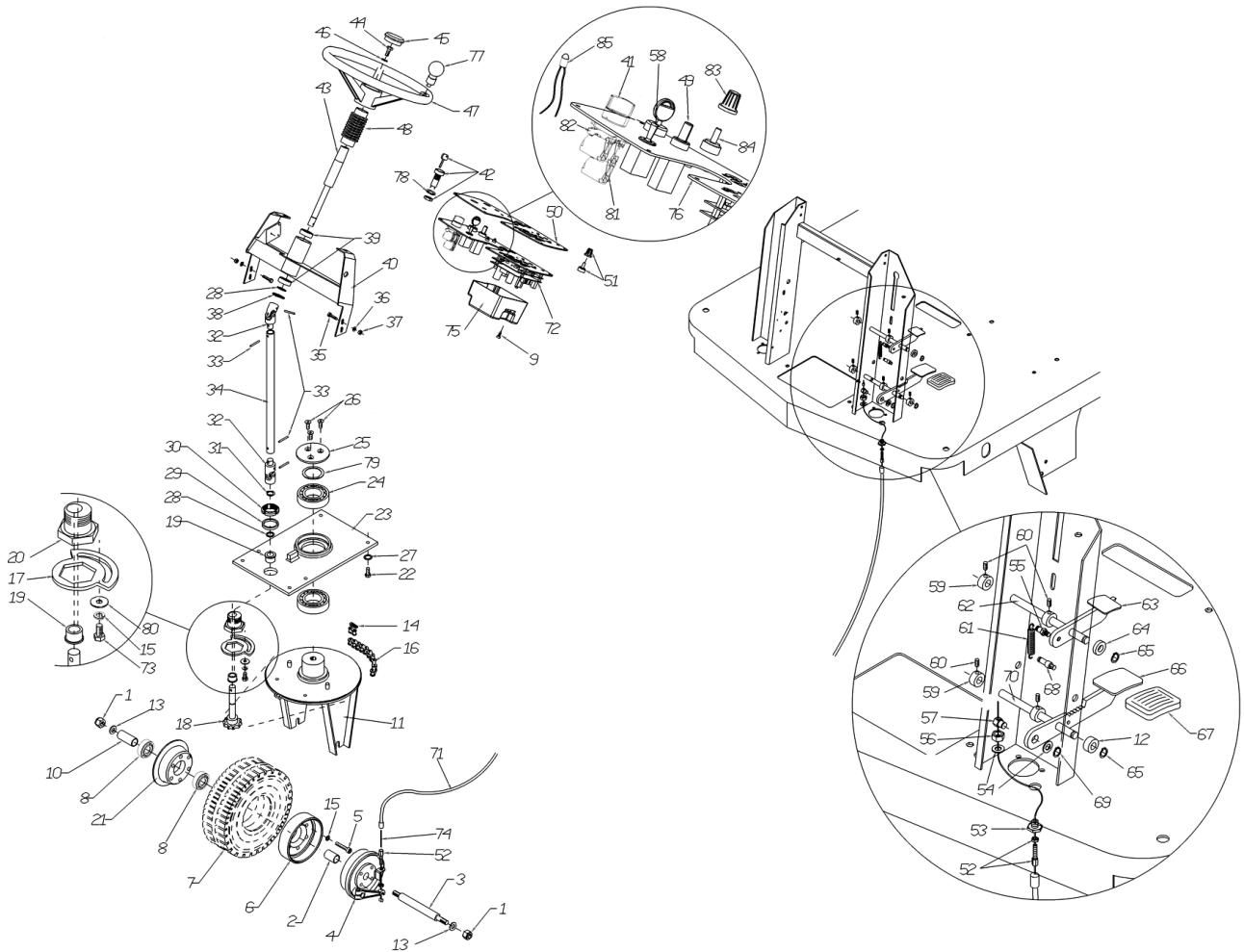
| Ref. | K | Part N. | Customer Part N. | Description | Qty | Validity: | | Price |
|------|---|-----------|------------------|---|------|-----------|----|-------|
| | | | | | | From | To | |
| 0040 | | VTDD04369 | | NUT M 4 TEF UNI 7473 | 1,00 | | | -- |
| 0041 | | LAFN01149 | | CONNECTING ROD PEDALE AVANZAMENTO G1050 | 1,00 | | | -- |
| 0042 | | CMCV75717 | | CLIP UNI 1676 M6 | 1,00 | | | -- |
| 0043 | | CMCV76639 | | FORK M 6 UNI 1676 | 1,00 | | | -- |
| 0044 | | MPVR00866 | | PLANE ANTISDRUCCIOLO G1050 | 1,00 | | | -- |
| 0045 | | LAFN06474 | | SHEET METAL PA.PEDALE | 1,00 | | | -- |
| 0046 | | MLML00034 | | SPRING PEDALE AVANZAMENTO G1050 | 1,00 | | | -- |
| 0047 | | MECB01228 | | WIRING - | 1,00 | | | -- |
| 0048 | | LAFN00524 | | PIN PEDALE TK 1050 | 1,00 | | | -- |
| 0050 | | VTDD04369 | | NUT M 4 TEF UNI 7473 | 2,00 | | | -- |
| 0051 | | VTVT00089 | | SCREW TCCE UNI 5931 4X10 ZB | 2,00 | | | -- |
| 0052 | | LAFN07532 | | BUSHING - | 1,00 | | | -- |
| 0053 | | VTVT00727 | | SCREW TE M. 4-20 | 1,00 | | | -- |
| 0054 | | MECB01227 | | WIRING ACCELERATOR | 1,00 | | | -- |
| 0057 | | LAFN00909 | | BRACKET BIELLETTA PEDALE | 1,00 | | | -- |
| 0058 | | VTDD00482 | | NUT M 6 ZIN UNI 5588 | 1,00 | | | -- |
| 0059 | | MECE45124 | | PCB RELE' L.1400 | 1,00 | | | -- |
| 0060 | | METT00053 | | BLOCK PORTA RELE' | 1,00 | | | -- |



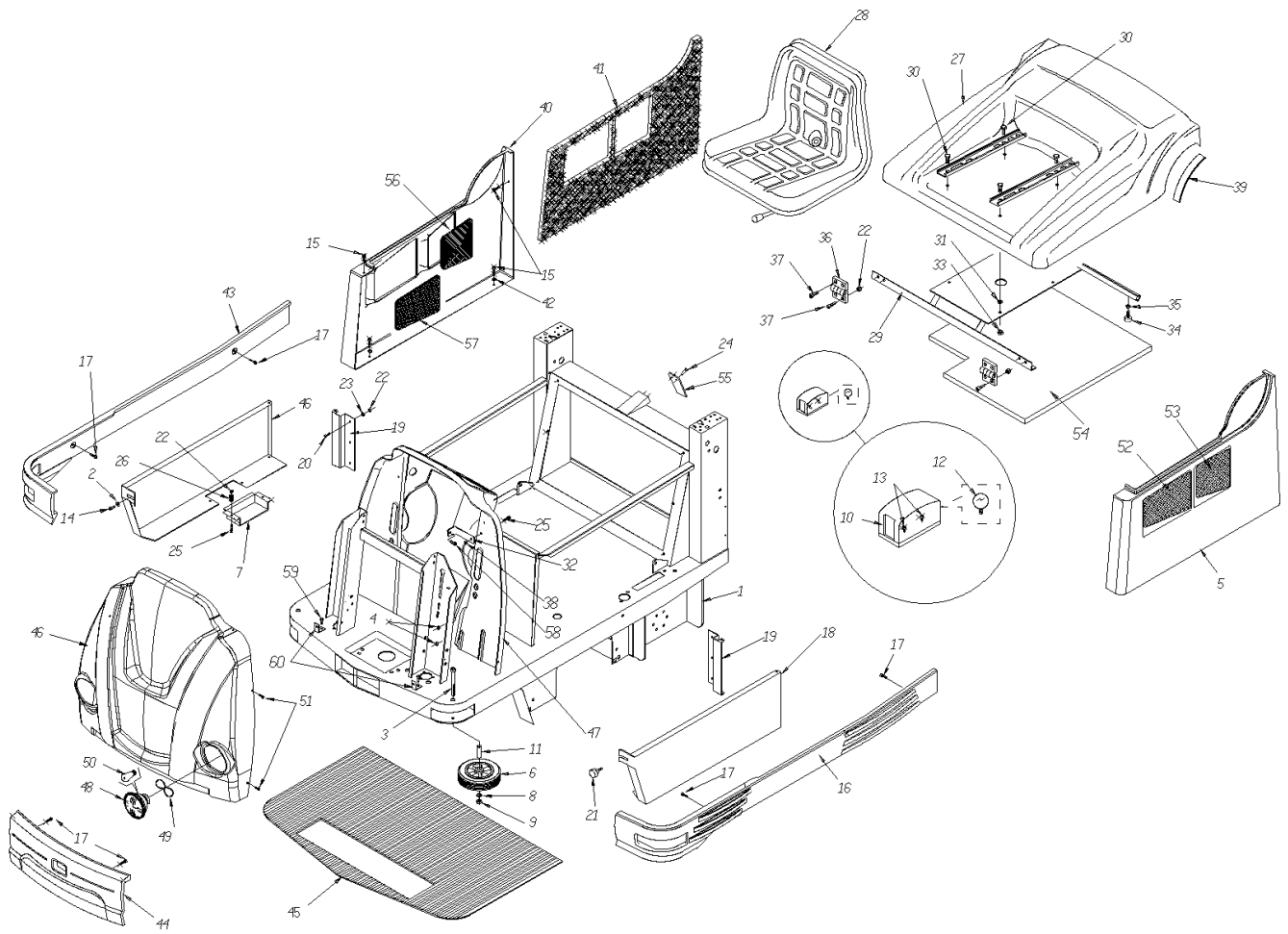
| Ref. | K | Part N. | Customer Part N. | Description | Qty | Validity: | | Price |
|------|---|-----------|------------------|----------------------------------|------|-----------|----|-------|
| | | | | | | From | To | |
| 0001 | | VTDD00012 | | NUT AUTOBLOK DIN 985 M12 ZB | 2,00 | | | -- |
| 0002 | | LAFN00265 | | SPACER RUOTA ANT.LATO FRENO 1000 | 1,00 | | | -- |
| 0003 | | LAFN87163 | | PIN | 1,00 | | | -- |
| 0004 | | PMVR00231 | | BRAKE G1202 | 1,00 | | | -- |
| 0005 | | VTVT29810 | | SCREW TCEI M 8X20 UNI 5931 | 5,00 | | | -- |
| 0006 | | LAFN85291 | | HUB SW 1000 22501002 | 1,00 | | | -- |
| 0007 | | KTRI75744 | | REAR WHEELS TK1000 | 1,00 | | | -- |
| 0008 | | CUVR00005 | | BEARING 6202 2RS | 2,00 | | | -- |
| 0009 | | VTVT00288 | | SCREW TCTC 4X10 | 2,00 | | | -- |
| 0010 | | LAFN00264 | | SPACER RUOTA ANTERIORE TK1000 | 1,00 | | | -- |
| 0011 | | LAFN00853 | | SUPPORT RUOTA ANTER.MODIF.ZINC. | 1,00 | | | -- |
| 0012 | | LAFN47019 | | BUSHING L.14 | 1,00 | | | -- |
| 0013 | | VTRS00506 | | WASHER D.12 UNI 6592 | 2,00 | | | -- |
| 0014 | | MTCR47037 | | WARP KNITTING 3/8 | 2,00 | | | -- |
| 0015 | | VTRS01080 | | WASHER D. 8 GRW | 5,00 | | | -- |
| 0016 | | MTCR00005 | | CHAIN STERZO TK1300/1200 3/8" | 1,00 | | | -- |
| 0017 | | LAFN47039 | | FLANGE L.14 | 1,00 | | | -- |
| 0018 | | KTRI46514 | | PIN TK 1000 + BUSCH. | 1,00 | | | -- |
| 0019 | | LAFN75841 | | BUSHING TK 1000 | 2,00 | | | -- |
| 0020 | | LAFN75842 | | BUSHING TK 1000 | 1,00 | | | -- |
| 0021 | | LAFN85290 | | HUB SW 1000 22501004 | 1,00 | | | -- |
| 0022 | | VTVT00447 | | SCREW TE 8X25 UNI5739 | 6,00 | | | -- |
| 0023 | | LAFN00318 | | FLANGE FISSAG.RUOTA ANT.1300 ZIN | 1,00 | | | -- |
| 0024 | | CUVR75816 | | BEARING 51112 | 2,00 | | | -- |
| 0025 | | LAFN47004 | | FLANGE TK1400 | 1,00 | | | -- |
| 0026 | | VTVT00014 | | SCREW TE UNI 5739 8X20 CL.10.9 | 3,00 | | | -- |
| 0027 | | VTRS01080 | | WASHER D. 8 GRW | 6,00 | | | -- |
| 0028 | | LAFN47020 | | THICKNESS D.15X22X1.0 | 5,00 | | | -- |
| 0029 | | LAFN75913 | | SPACER TK | 1,00 | | | -- |
| 0030 | | VTVR75747 | | RING NUT AUTOBLOK M 35 X 1,5 GUK | 1,00 | | | -- |
| 0031 | | VTAE17003 | | CIRCLIP D. 15 UNI 7435 | 1,00 | | | -- |
| 0032 | | VTVR47021 | | ARTICULATION D. 5-15 | 2,00 | | | -- |
| 0033 | | VTVR46987 | | ELASTIC PLUG 5X25 UNI 6873 | 2,00 | | | -- |
| 0034 | | ALTR00035 | | SHAFT STERZO G1200-G1300 ZINC. | 1,00 | | | -- |
| 0035 | | VTVT62920 | | SCREW TE F/ROND. M 6X 16 ZB | 4,00 | | | -- |
| 0036 | | VTRS04026 | | WASHER D. 6X18X2.38 | 4,00 | | | -- |
| 0037 | | VTDD00491 | | NUT M 6 TEF | 4,00 | | | -- |
| 0038 | | VTAE17003 | | CIRCLIP D. 15 UNI 7435 | 1,00 | | | -- |
| 0039 | | CUVR00005 | | BEARING 6202 2RS | 2,00 | | | -- |



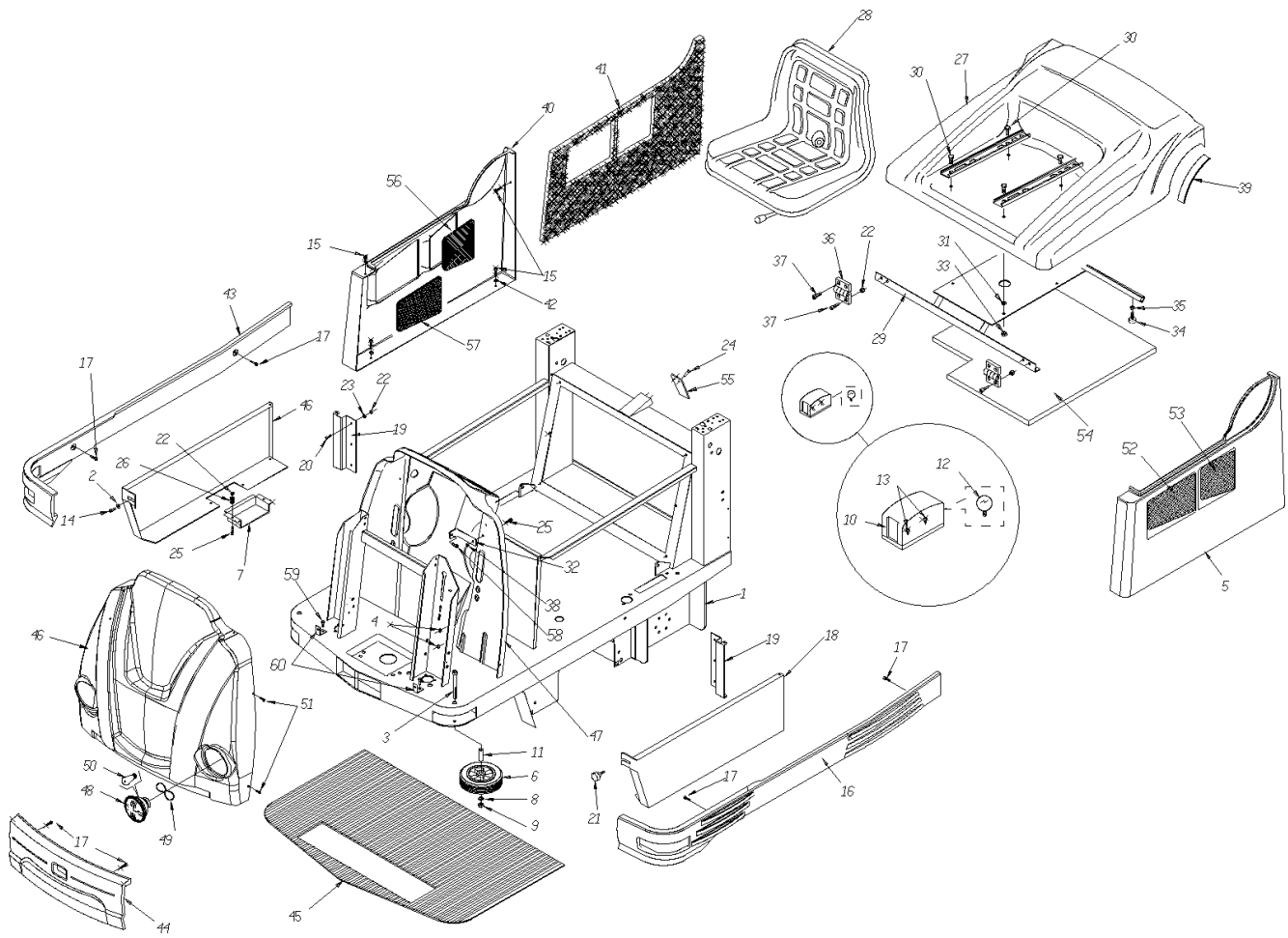
| Ref. | K | Part N. | Customer Part N. | Description | Qty | Validity: | | Price |
|------|---|-----------|------------------|----------------------------------|------|-----------|----|-------|
| | | | | | | From | To | |
| 0040 | | LAFN06791 | | ASSEMBLED SUPPORTO PIANTONE | 1,00 | | | -- |
| 0041 | | MEVR02011 | | SELECTOR - | 1,00 | | | -- |
| 0042 | | MECI75805 | | SWITCH TK | 1,00 | | | -- |
| 0043 | | LAFN47024 | | UP STEERING L.14 | 1,00 | | | -- |
| 0044 | | VTVT00642 | | SCREW TE 10X30 | 1,00 | | | -- |
| 0045 | | MPVR47026 | | BLACK CAP L.14 | 1,00 | | | -- |
| 0046 | | VTRS44254 | | WASHER D.10 X40X2.5 UNI6593 | 1,00 | | | -- |
| 0047 | | MPVR47027 | | STEERING WHEEL D. 320 L.14 | 1,00 | | | -- |
| 0048 | | MPVR47066 | | PROTECTOR L.14 | 2,00 | | | -- |
| 0049 | | MECI75945 | | COMMUTAT.SWITCH3 POS. TK | 1,00 | | | -- |
| 0050 | | ETET01643 | | LABEL SCHEDE POTENZA | 1,00 | | | -- |
| 0051 | | MECE00498 | | BOARD G1050-G1202 | 1,00 | | | -- |
| 0052 | | CMCV75723 | | REGISTER D.7 | 1,00 | | | -- |
| 0053 | | LAFN75975 | | PIN TK | 1,00 | | | -- |
| 0054 | | VTRS00506 | | WASHER D.12 UNI 6592 | 2,00 | | | -- |
| 0055 | | LAFN47029 | | PIN CH.10 H.16 | 1,00 | | | -- |
| 0056 | | VTDD01682 | | NUT M12 ZC UNI 5588 | 1,00 | | | -- |
| 0057 | | LAFN75973 | | PIN FLAP TK | 1,00 | | | -- |
| 0058 | | MECI30499 | | SWITCH 10A - 250VAC | 1,00 | | | -- |
| 0059 | | LAFN47030 | | BUSHING L.14 | 3,00 | | | -- |
| 0060 | | VTVT75731 | | SCREW UNI 5923 6 X5 | 3,00 | | | -- |
| 0061 | | MLML75960 | | SPRING D. 8 X1 X32 | 1,00 | | | -- |
| 0062 | | LAFN47031 | | PIN L.14 | 1,00 | | | -- |
| 0063 | | LAFN47032 | | PEDALE L.14 | 1,00 | | | -- |
| 0064 | | LAFN47033 | | BUSHING L.14 | 1,00 | | | -- |
| 0065 | | VTAE87276 | | SEGER EXT. D10 DIN471 | 2,00 | | | -- |
| 0066 | | LAFN47034 | | BRAKE PEDAL L.14 | 1,00 | | | -- |
| 0067 | | MPVR45096 | | RUBBER V 1201 GR. | 1,00 | | | -- |
| 0068 | | LAFN47035 | | PIN CH.10 H.26 | 1,00 | | | -- |
| 0069 | | VTAE14016 | | CIRCLIP D. 12 UNI 7435 | 1,00 | | | -- |
| 0070 | | LAFN47036 | | PIN BRK.+FLAP L.14 | 1,00 | | | -- |
| 0071 | | CMCV75904 | | BRAKE SHEATH TK 1000E/S | 1,00 | | | -- |
| 0072 | | MECE00498 | | BOARD G1050-G1202 | 1,00 | | | -- |
| 0073 | | VTVT01110 | | SCREW TE 8X16 UNI5739 | 1,00 | | | -- |
| 0074 | | CMCV85320 | | CABLE D.2,5 L.760 21251003 | 1,00 | | | -- |
| 0075 | | MPVR04902 | | COVER SCHEDE MICRO | 1,00 | | | -- |
| 0076 | | LAFN06792 | | BOARD COMANDI | 1,00 | | | -- |
| 0077 | | MPVR47040 | | KNOB L.14 | 1,00 | | | -- |
| 0078 | | VTRS00023 | | WASHER DENTATA INT.UNI 6798 D.18 | 1,00 | | | -- |



| Ref. | K | Part N. | Customer Part N. | Description | Qty | Validity: | | Price |
|------|---|-----------|------------------|---------------------------|------|-----------|----|-------|
| | | | | | | From | To | |
| 0079 | | LAFN00912 | | THICKNESS STERZO | 1,00 | | | -- |
| 0080 | | VTRS00512 | | WASHER D. 8 X24 ZC. | 1,00 | | | -- |
| 0081 | | MEVR02012 | | CONTACT - | 1,00 | | | -- |
| 0082 | | MEVR02000 | | CONTACT - | 1,00 | | | -- |
| 0083 | | KTRI01935 | | KIT 1050-1202 | 1,00 | | | -- |
| 0084 | | MEVR01941 | | POTENTIOMETER 100K | 1,00 | | | -- |
| 0085 | | KTRI02054 | | KIT LED DIAGNOSTIC CURTIS | 1,00 | | | -- |



| Ref. | K | Part N. | Customer Part N. | Description | Qty | Validity: | | Price |
|------|---|-----------|------------------|--------------------------------------|------|-----------|---------|-------|
| | | | | | | From | To | |
| 0001 | | LAFN01024 | | FRAME TK1200 GRIGIO RAL7024 | 1,00 | | | -- |
| 0002 | | VTRS04026 | | WASHER D. 6X18X2.38 | 1,00 | | | -- |
| 0003 | | VTVT28307 | | SCREW TCCE UNI 5931 10X70 ZN | 2,00 | | | -- |
| 0004 | | VTDD00013 | | NUT INGABBIATO UNI 3740 M6 | 4,00 | | | -- |
| 0005 | | MPVR08032 | | BODY SIDE SX | 1,00 | | | -- |
| 0006 | | RTRT31046 | | WHEEL D.150 E 350 | 2,00 | | | -- |
| 0007 | | LAFN00776 | | PROTECTION CING.PORT.LAT DX 1300/200 | 1,00 | | | -- |
| 0008 | | VTRS00505 | | WASHER D.10 TE UNI 6592 | 2,00 | | | -- |
| 0009 | | VTDD00042 | | NUT AUT.M10 UNI7474 | 2,00 | | | -- |
| 0010 | | MELF85067 | | LANTERN FLASH 21W 24V OR. | 2,00 | | | -- |
| 0011 | | LAFN47011 | | BUSHING L.14 | 2,00 | | | -- |
| 0012 | | MELF33431 | | LAMP 24 V 21 W | 2,00 | | | -- |
| 0013 | | VTVT19236 | | SCREW TCEI 5X20 UNI 5931 | 4,00 | | | -- |
| 0014 | | VTVT62920 | | SCREW TE F/ROND. M 6X 16 ZB | 1,00 | | | -- |
| 0015 | | VTVT06237 | | SCREW TCEI 6X20 UNI5931 | 8,00 | | | -- |
| 0016 | | MPVR00268 | | BUMPER LATERALE SX G1200-1300 | 1,00 | | | -- |
| 0017 | | VTVT01118 | | SCREW TCEI M 8X16 ZC. UNI 5931 | 6,00 | | | -- |
| 0018 | | LAFN00782 | | PLANE SX | 1,00 | | | -- |
| 0019 | | CEVR00001 | | HINGE X PORTELLI TK1300 ZINCATA | 2,00 | | | -- |
| 0020 | | VTVT00527 | | SCREW TE FR 6X10 ZB ZIG. | 2,00 | | | -- |
| 0021 | | RTRT00022 | | HANDWHEEL D.30 M6X15 | 1,00 | | | -- |
| 0022 | | VTDD00491 | | NUT M 6 TEF | 2,00 | | | -- |
| 0023 | | VTRS00503 | | WASHER D. 6 TE UNI 6798 | 2,00 | | | -- |
| 0024 | | VTVT75726 | | SCREW TBEI M 6X 16 ISO 7380 ZB | 2,00 | | | -- |
| 0025 | | VTVT75726 | | SCREW TBEI M 6X 16 ISO 7380 ZB | 2,00 | | | -- |
| 0026 | | MLML46644 | | SPRING D. 6 | 2,00 | | | -- |
| 0027 | | MPVR08030 | | HOOD SUPERIORE TK1200 VERDE | 1,00 | | | -- |
| 0028 | | SESD00003 | | SEAT TK1300 CON MICRO.E GUIDE | 1,00 | | 04/2014 | -- |
| 0028 | | SESD45981 | | SEAT SC 73 L.14 | 1,00 | 04/2014 | | -- |
| 0029 | | LAFN01023 | | FRAME PORTASEDILE TK1200 COMPL. | 1,00 | | | -- |
| 0030 | | VTVT00447 | | SCREW TE 8X25 UNI5739 | 4,00 | | | -- |
| 0031 | | VTRS00504 | | WASHER D. 8 TE ZC. UNI 6592 | 4,00 | | | -- |
| 0032 | | LAFN06794 | | BRACKET FISSA FRONTALE G1404 | 2,00 | | | -- |
| 0033 | | VTDD00124 | | NUT M 8 BASSO | 4,00 | | | -- |
| 0034 | | ABGO00008 | | VIBRATION DAMP.PM 20X20 M6X20 | 2,00 | | | -- |
| 0035 | | VTDD00482 | | NUT M 6 ZIN UNI 5588 | 2,00 | | | -- |
| 0036 | | CEVR85332 | | HINGE MEB F D.6 TK | 2,00 | | | -- |
| 0037 | | VTVT12255 | | SCREW TCEI 6X25 UNI5931 | 4,00 | | | -- |
| 0038 | | VTDD00491 | | NUT M 6 TEF | 2,00 | | | -- |



| Ref. | K | Part N. | Customer Part N. | Description | Qty | Validity: | | Price |
|------|---|-----------|------------------|--------------------------------|-------|-----------|---------|-------|
| | | | | | | From | To | |
| 0040 | | MPVR08034 | | BODY SIDE DX | 1,00 | | | -- |
| 0041 | | ITSO00054 | | PANEL ISOLATORE PORTASEDILE | 1,00 | | | -- |
| 0042 | | VTRS04026 | | WASHER D. 6X18X2.38 | 8,00 | | | -- |
| 0043 | | MPVR00267 | | BUMPER LATERALE DX G1200-1300 | 1,00 | | | -- |
| 0044 | | MPVR00271 | | BUMPER ANTERIORE G1200-1300 | 1,00 | | | -- |
| 0045 | | MPVR05058 | | PLANE MILLERIGHE CON BIADESIVO | 1,00 | | | -- |
| 0046 | | MPVR08031 | | HOOD ANTERIORE G1404 | 1,00 | | | -- |
| 0047 | | MPVR04989 | | HOOD POSTERIORE G1404 | 1,00 | | | -- |
| 0048 | | MELF00052 | | LANTERN - | 2,00 | 06/2011 | | -- |
| 0048 | | MEVR00135 | | LANTERN G1400 | 2,00 | | 06/2011 | -- |
| 0049 | | GUGO45326 | | O-RING D. 112 X 6 -NBR 70SH | 2,00 | | | -- |
| 0050 | | MELF00050 | | LAMP - | 2,00 | 06/2011 | | -- |
| 0050 | | MELF87169 | | LAMP 12V 35W | 2,00 | | 06/2011 | -- |
| 0051 | | VTVT45339 | | SCREW TBEI M 5X 16 ISO 7380 ZB | 12,00 | | | -- |
| 0052 | | LAFN06589 | | BRACKET FIANCATA | 1,00 | | | -- |
| 0053 | | LAFN06590 | | BRACKET FIANCATA | 1,00 | | | -- |
| 0054 | | ITSO00052 | | PANEL ISOLATORE PORTASEDILE | 1,00 | | | -- |
| 0055 | | CHVR76643 | | SUPP.HOLDER | 1,00 | | | -- |
| 0056 | | LAFN06588 | | BRACKET FIANCATA | 1,00 | | | -- |
| 0057 | | LAFN06587 | | BRACKET FIANCATA | 1,00 | | | -- |
| 0058 | | VTVT62920 | | SCREW TE F/ROND. M 6X 16 ZB | 2,00 | | | -- |
| 0059 | | VTVT09916 | | SCREW TBEI M 6X 20 ISO 7380 ZB | 2,00 | | | -- |
| 0060 | | LAFN06793 | | BRACKET FISSA FRONTALE | 2,00 | | | -- |