



IPC Integrated Professional Cleaning

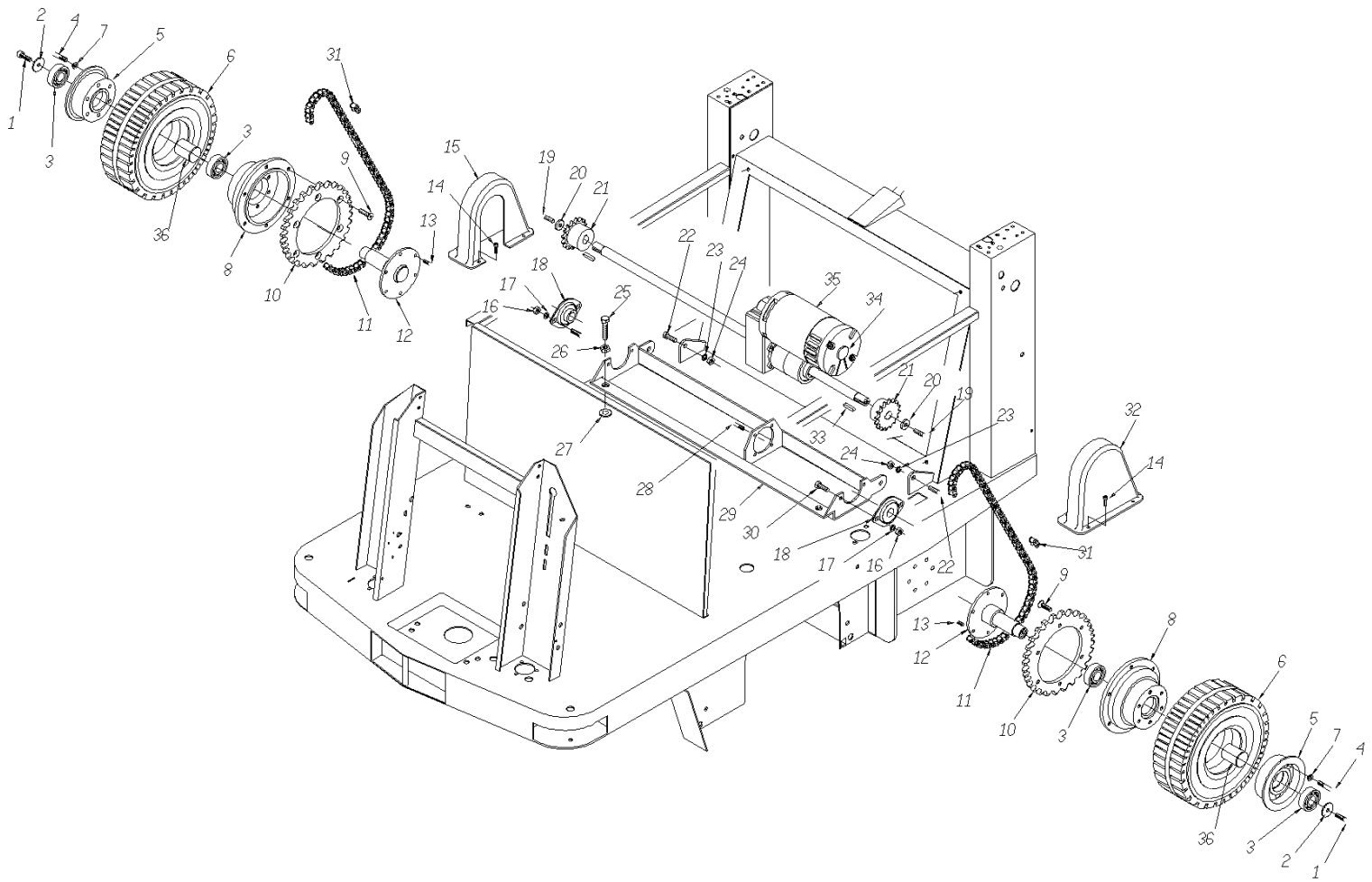
IPC Gansow

Spare Parts List

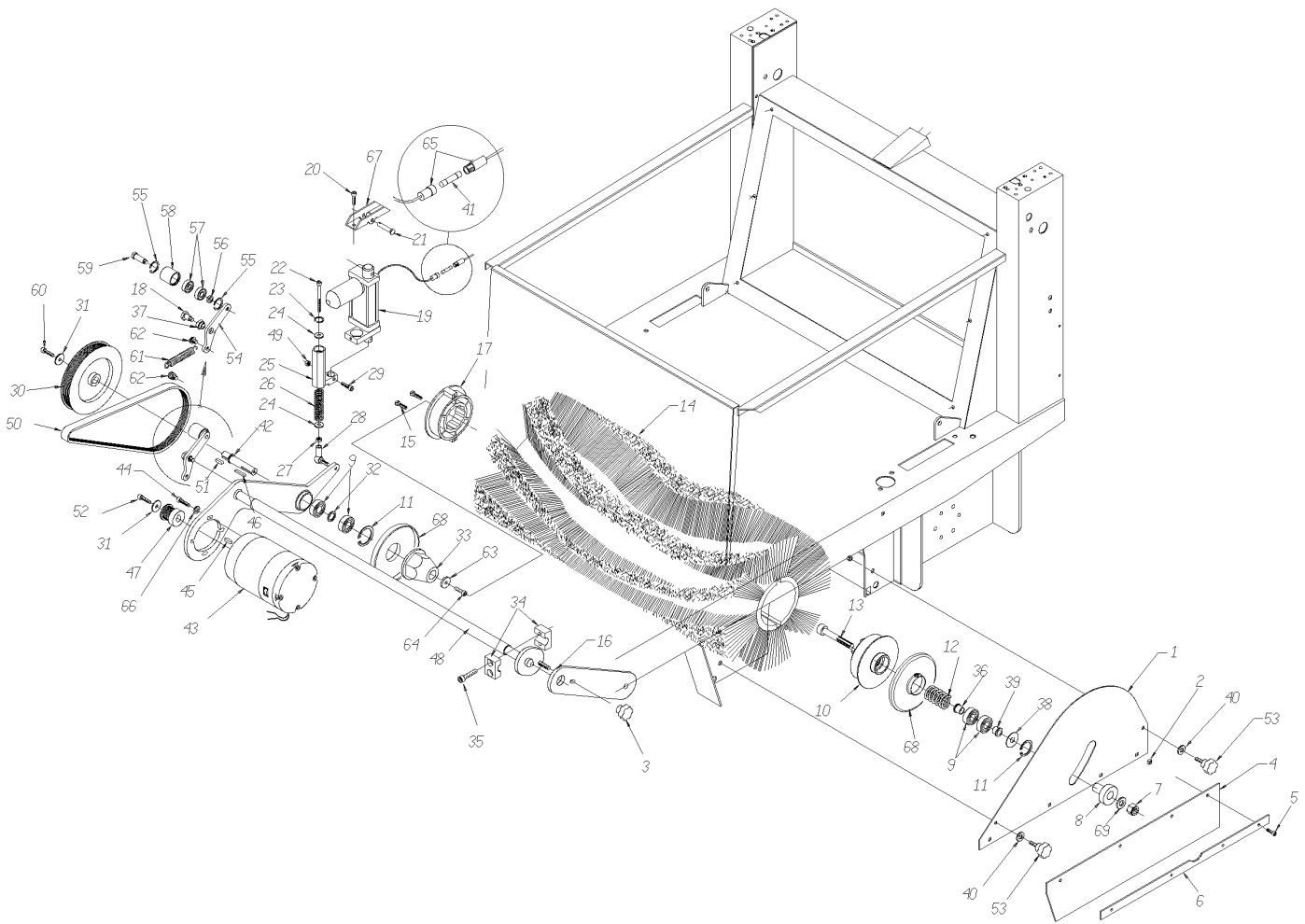
TAVERNARO AG

Ref: MSUB00274

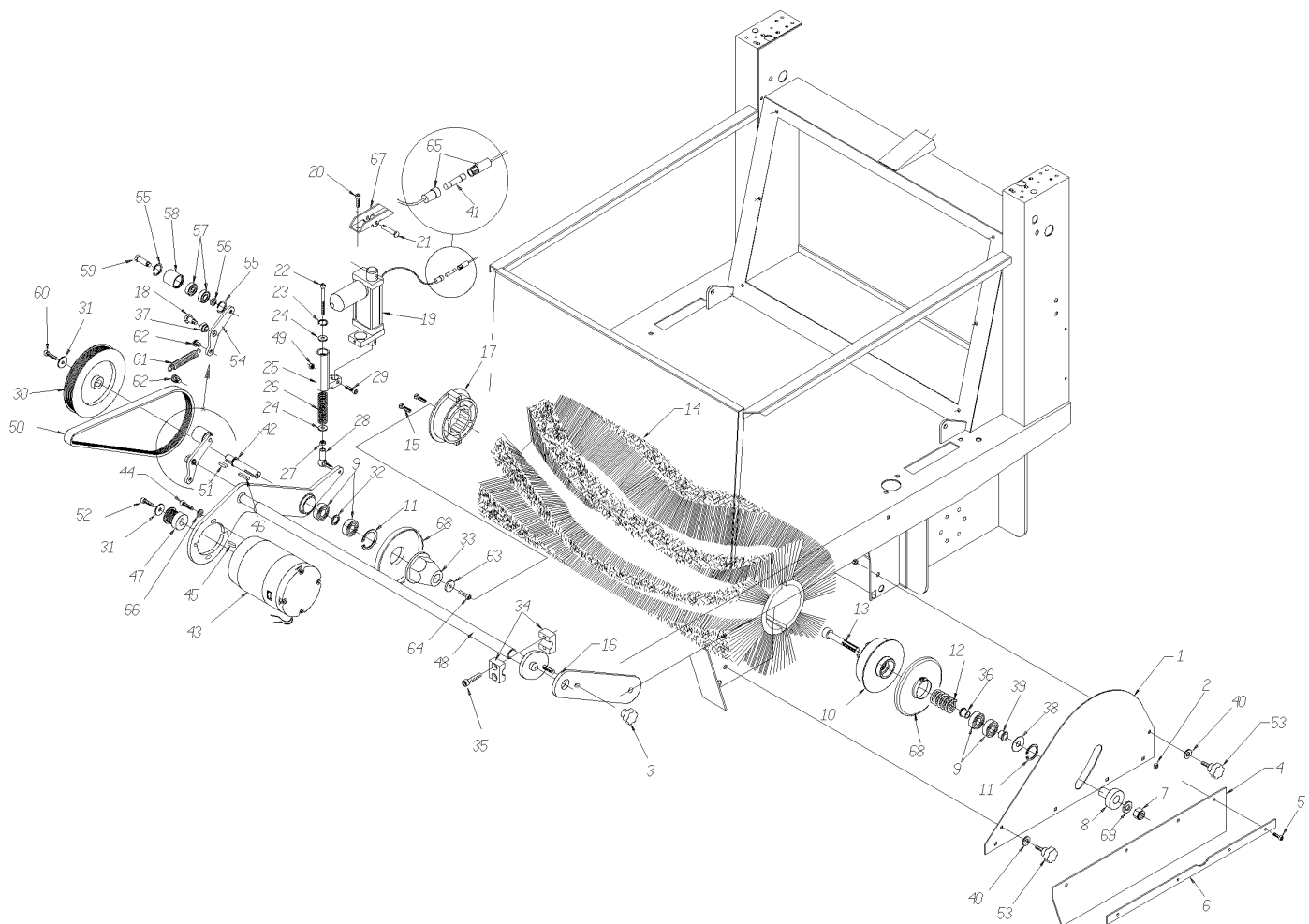
Model: Spazzatrice G 1202E gri/gri 2SP SA+L IPC



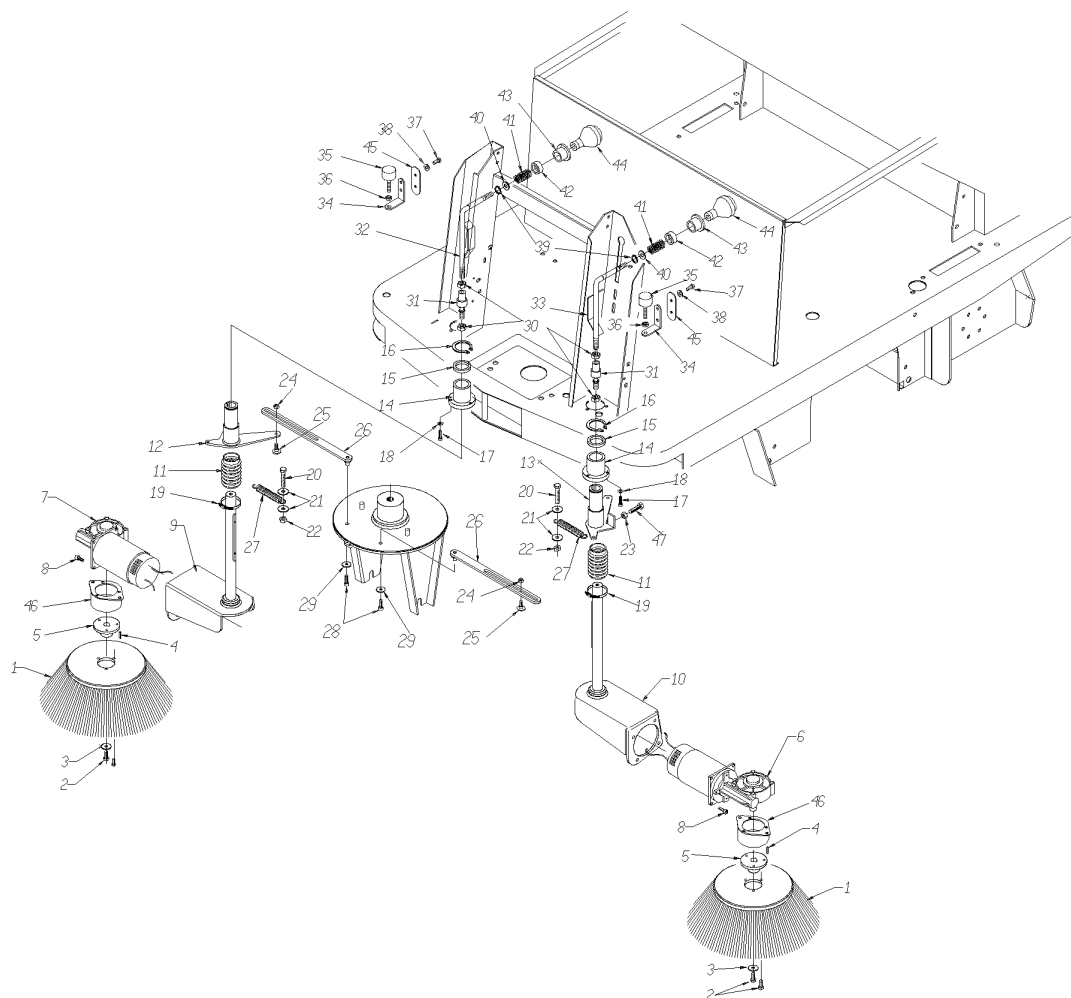
Ref.	K	Part N.	Customer Part N.	Description	Qty	Validity:		Price
						From	To	
0001		VTVT87271		SCREW TBEI M 8X 16 ISO 7380	1,00			--
0002		VTRS00512		WASHER D. 8 X24 ZC.	2,00			--
0003		CUVR00008		BEARING 6003 2RS	4,00			--
0004		VTVT00066		SCREW TCCE UNI 5931 8X25 ZB	10,00			--
0005		LAFN85290		HUB SW 1000 22501004	2,00			--
0006		KTRI75744		REAR WHEELS TK1000	2,00			--
0007		VTRS01080		WASHER D. 8 GRW	10,00			--
0008		LAFN00633		HUB PORTACORONA TK1300	2,00			--
0009		VTVT00061		SCREW TSCE UNI 5933 6X20 ZB	10,00			--
0010		MTCR00002		BRAKE TRAZIONE RUOTE	2,00			--
0011		MTCR00004		CHAIN TRASMISSIONE TK1300/1200	2,00			--
0012		LAFN00317		FLANGE CON PERNO RUOTA POST.	2,00			--
0013		VTVT45340		SCREW TSPEI 8X16 UNI5933	12,00			--
0014		VTVT09913		SCREW TCEI 6X16 UNI5931	4,00			--
0015		MPVR00259		CRANKCASE PROTEZIONE CATENA DX 1300	1,00			--
0016		VTDD00124		NUT M 8 BASSO	4,00			--
0017		VTRS00504		WASHER D. 8 TE ZC. UNI 6592	4,00			--
0018		CUVR00105		SUPPORT	2,00	11/2010		--
0018		LAFN87166		SUPPORT	2,00		11/2010	--
0019		VTVT29810		SCREW TCEI M 8X20 UNI 5931	2,00			--
0020		VTRS00512		WASHER D. 8 X24 ZC.	2,00			--
0021		MTIG00035		PINION DIFFERENZ.Z22 P66.93 1300	2,00			--
0022		VTVT00456		SCREW TE 10X25 UNI5739	2,00			--
0023		VTRS00505		WASHER D.10 TE UNI 6592	4,00			--
0024		VTDD00042		NUT AUT.M10 UNI7474	2,00			--
0025		VTVT00068		SCREW TE UNI 5739 10X60 ZB	2,00			--
0026		VTDD00484		NUT M10 ZIN UNI 5588	2,00			--
0027		LAFN47016		SPACER L.14	2,00			--
0028		VTVT62920		SCREW TE F/ROND. M 6X 16 ZB	4,00			--
0029		LAFN00771		SUPPORT DIFFERENZIALE TK1300 ZINC	1,00			--
0030		VTVT29810		SCREW TCEI M 8X20 UNI 5931	4,00			--
0031		MTCR47037		WARP KNITTING 3/8	2,00			--
0032		MPVR00260		CRANKCASE PROTEZIONE CATENA SX 1300	1,00			--
0033		VTVR28706		KEY 6X 6X20 UNI 6604A	2,00			--
0034		MECI00035		DASHBOARD DI TEMPERATURA F11-95 NC	1,00			--
0035		MEVR33562		CARBON 10X18X18 400W 12V	4,00			--
0035		MOCC00007		MOTOR.GEARBOX TRAZIONE TK1300 DP	1,00			--
0036		LAFN00275		SPACER INTERNO RUOTA POST.TK1300	2,00			--



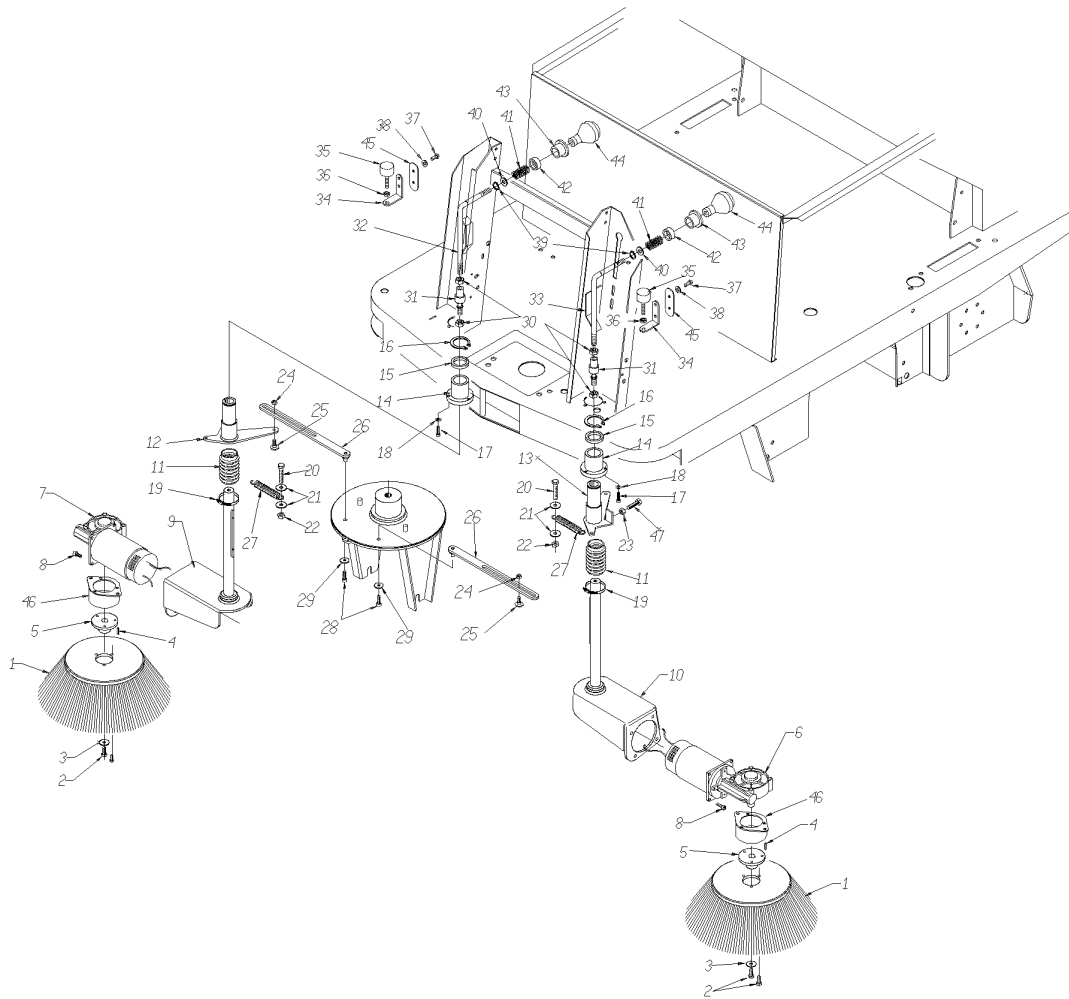
Ref.	K	Part N.	Customer Part N.	Description	Qty	Validity:		Price
						From	To	
0001		LAFN06827		PLANE SPAZZOLA CENTRALE	1,00			--
0002		VTVR47015		INSERT PLS. D.3	4,00			--
0003		VTVR00047		HANDWHEEL D.50 M8	1,00			--
0004		MPVR05017		FLAP -	1,00			--
0005		VTVT00044		SCREW TC AF.X PLAS UNI9707 4X16	4,00			--
0006		LAFN06826		SHEET METAL PA.FLAP	1,00			--
0007		VTDD00012		NUT AUTOBLOK DIN 985 M12 ZB	1,00			--
0008		LAFN06836		PIN CENTRAGGIO PROTEZIONE	1,00			--
0009		CUVR17004		BALL BEARING 6202 -2RS1	4,00			--
0010		MPVR04923		SUPPORT SPAZZOLA CENTRALE	1,00			--
0011		VTAE00076		CIRCLIP D.37 DIN 472	2,00			--
0012		MLML00295		SPRING SPAZZOLA CENTRALE	1,00			--
0013		VTVT01128		SCREW TCCE UNI 5931 12X120 ZB	1,00			--
0014		SPPV00052		CENTRAL BRUSH D.280X686 6R0.5/1.2 1200	1,00			--
0015		VTVT47138		SCREW TSP-TC 3,9X32 ZC. UNI6955	2,00			--
0016		LAFN47050		LATERAL ARM L.14	1,00			--
0017		LAFN45099		DRIVE DISK TK1400	1,00			--
0018		LAFN47051		PIN L.14	1,00			--
0019		MECB00983		WIRING ATTUATORE	1,00			--
0020		VTVT09913		SCREW TCEI 6X16 UNI5931	1,00			--
0021		LAFN00487		PIN FISSAG.ATTUATORE TK1300	1,00			--
0022		VTVT37013		SCREW TE M 6X100 UNI 5737	1,00			--
0023		VTAE00009		SEEGER INTERNO DIN 472 D.20	1,00			--
0024		LAFN00124		BUSHING BATTUTA CILINDRO	2,00			--
0025		MPVR45279		CASE TK1400	1,00			--
0026		MLML45281		SPRING TK1400	1,00			--
0027		VTDD01678		NUT M 5 UNI 5588	1,00			--
0028		VTVR45280		ARTICULATION AS M6	1,00			--
0029		VTVT00008		SCREW TE UNI 5739 6X30 ZB	1,00			--
0030		MTPL47054		PULLEY POLY-V J8 D. 155	1,00			--
0031		VTRS63242		WASHER D. 6 X24 ZC	2,00			--
0032		LAFN06823		SPACER L.14	1,00			--
0033		MPVR04915		HUB TRASCINATORE SPAZZ. CENT.	1,00			--
0034		LAFN47055		HOSE COLLAR C3 D.18	2,00			--
0035		VTVT06236		SCREW TCEI 6X40 UNI5931	4,00			--
0036		LAFN06782		BUSHING PER CUSCINETTO	1,00			--
0037		LAFN47033		BUSHING L.14	1,00			--
0038		VTRS00553		WASHER PARAPOLVERE	1,00			--
0039		LAFN06783		BUSHING PER CUSCINETTO 1	1,00			--



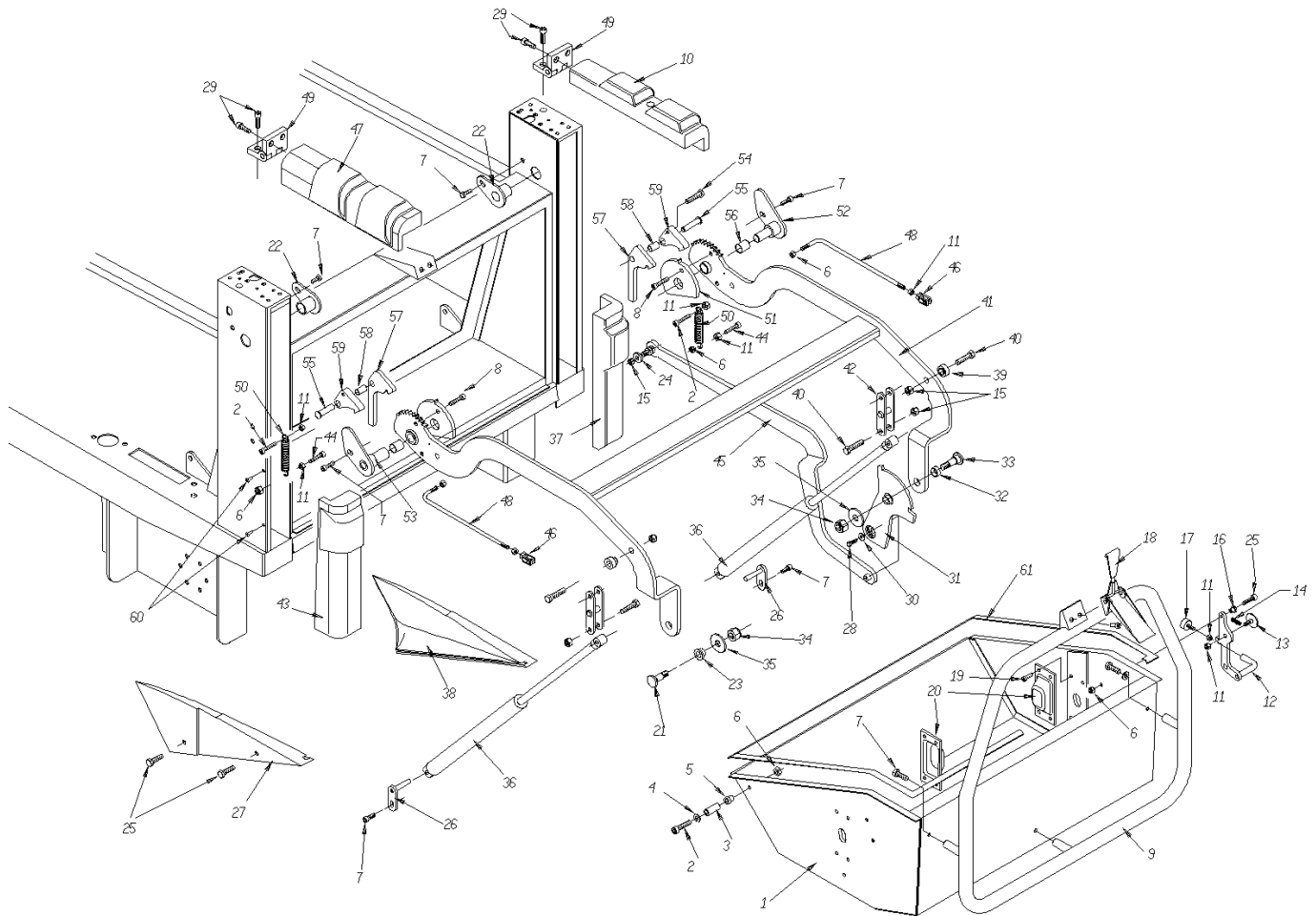
Ref.	K	Part N.	Customer Part N.	Description	Qty	Validity:		Price
						From	To	
0040		VTRS00504		WASHER D. 8 TE ZC. UNI 6592	2,00			--
0041		MEVR00079		FUSE 3.15A 250V 5X20	1,00			--
0042		LAFN06687		PIN S.C. 1404	1,00			--
0043		MOCC00282		MOTOR BRUSH IP44 G1202-1303	1,00			--
0044		VTVT06237		SCREW TCEI 6X20 UNI5931	4,00			--
0045		VTVR13165		KEY 5X5X20	1,00			--
0046		VTVR00006		KEY UNI 6604 4X4X35	1,00			--
0047		MTPL45101		PULLEY POLY-V J8 TK1400	1,00			--
0048		LAFN06830		ARM SPAZZOLA CENTRALE	1,00			--
0049		VTDD19688		NUT M6 UNI 7473	1,00			--
0050		MTCG44767		BELT POLY-V J8 864-340	1,00			--
0051		VTVR13165		KEY 5X5X20	1,00			--
0052		VTVT24209		SCREW TCEI 6X12 UNI5931	1,00			--
0053		RTRT00022		HANDWHEEL D.30 M6X15	2,00			--
0054		LAFN47059		BELT-STRETCHER L.14	1,00			--
0055		VTAE00008		SEEGER INTERNO DIN 472 D.26	2,00			--
0056		LAFN47060		SPACER L.14	1,00			--
0057		CUVR86373		BEARING 6000 2RS	2,00			--
0058		MTPL47061		ROLLER L.14	1,00			--
0059		LAFN47062		PIN L.14	1,00			--
0060		VTRS63242		WASHER D. 6 X24 ZC	1,00			--
0061		MLML75961		SPRING D. 16 L.80	1,00			--
0062		VTVT45395		SCREW TBEI M 8X 10 ISO 7380 ZB	2,00			--
0063		VTRS04026		WASHER D. 6X18X2.38	1,00			--
0064		VTVT24209		SCREW TCEI 6X12 UNI5931	1,00			--
0065		MEVR00080		FUSE-HOLDER PV610 10A	1,00			--
0066		VTRS04026		WASHER D. 6X18X2.38	4,00			--
0067		LAFN00772		PLATE PORTA ATTUATORE 1300/1200	1,00			--
0068		LAFN06837		PROTECTION SPAZZOLA CENTRALE	2,00			--
0069		VTRS00506		WASHER D.12 UNI 6592	1,00			--



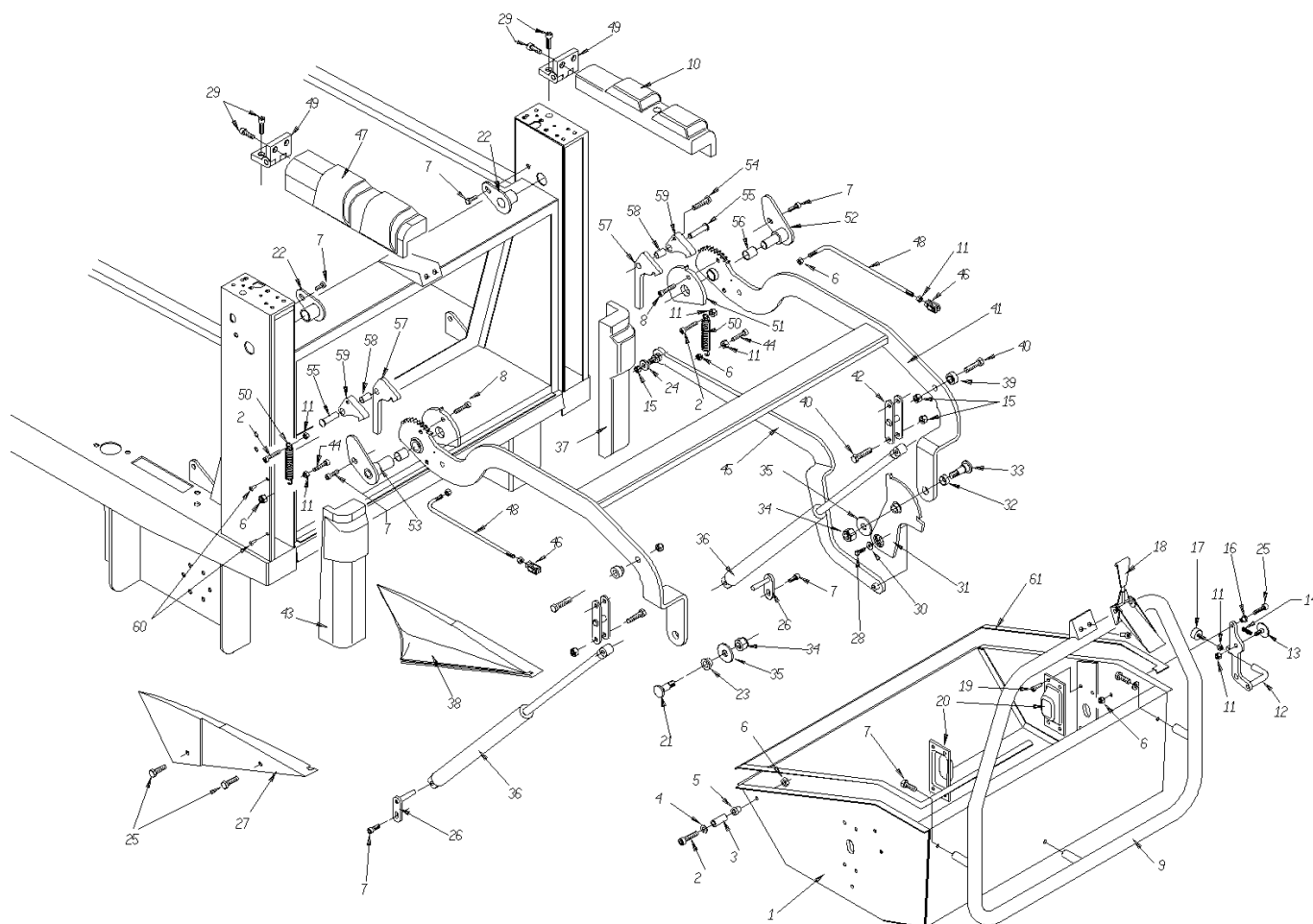
Ref.	K	Part N.	Customer Part N.	Description	Qty	Validity:		Price
						From	To	
0001		SPPV00018		BRUSH LATERALE TK1300/TK1200	2,00			--
0002		VTVT62920		SCREW TE F/ROND. M 6X 16 ZB	10,00			--
0003		VTRS63242		WASHER D. 6 X24 ZC	2,00			--
0004		VTVR33667		KEY 5x 5x25 UNI 6604A	2,00			--
0005		LAFN45010		FLANGE L.1400 LT.	2,00			--
0006		MEVR31145		CARBON LAV. BT	2,00			--
0006		RDGR75785		MOTOR.GEARBOX AOMP140 24V 90W SX	1,00			--
0007		MEVR31145		CARBON LAV. BT	2,00			--
0007		RDGR75784		MOTOR.GEARBOX AOMP140 24V TK1000	1,00			--
0008		VTVT09913		SCREW TCEI 6X16 UNI5931	8,00			--
0009		LAFN00784		ARM DX ALZA SPAZ.LAT.COMPL.	1,00			--
0010		LAFN00785		ARM SX ALZA SPAZ.LAT.COMPL.	1,00			--
0011		MPVR47066		PROTECTOR L.14	2,00			--
0012		LAFN00766		GUIDE ALBERO SPAZ.LAT.DX 1300zn	1,00			--
0013		LAFN00767		GUIDE ALBERO SPAZ.LAT.SX ZB	1,00			--
0014		LAFN47070		FLANGE L.14 LT.	2,00			--
0015		LAFN47081		SPACER L.14	2,00			--
0016		VTAE12644		CIRCLIP D. 30 UNI 7435	2,00			--
0017		VTVT09913		SCREW TCEI 6X16 UNI5931	6,00			--
0018		VTRS00503		WASHER D. 6 TE UNI 6798	6,00			--
0019		MEVR00114		CLAMP FISS.GUAINA NYLON 200X2.5	4,00			--
0020		VTVT00448		SCREW TE 8X30 UNI5739	2,00			--
0021		VTRS00512		WASHER D. 8 X24 ZC.	4,00			--
0022		VTDD00124		NUT M 8 BASSO	4,00			--
0023		VTDD00482		NUT M 6 ZIN UNI 5588	2,00			--
0024		VTDD00491		NUT M 6 TEF	2,00			--
0025		LAFN47080		SCREW L.14	2,00			--
0026		ALTR00028		ROD ROTAZ.SPAZ.LAT.COMPL.	2,00			--
0027		MLML45102		SPRING TR	2,00			--
0028		VTVT24209		SCREW TCEI 6X12 UNI5931	2,00			--
0029		VTRS63242		WASHER D. 6 X24 ZC	2,00			--
0030		VTDD00484		NUT M10 ZIN UNI 5588	4,00			--
0031		VTVR47072		ARTICULATION AS M10	2,00			--
0032		LAFN47073		ARM L.14 DX	1,00			--
0033		LAFN47078		ARM L.14 SX	1,00			--
0034		MPVR86579		SUPPORT TK	2,00			--
0035		ABGO00008		VIBRATION DAMP.PM 20X20 M6X20	2,00			--
0036		VTDD00482		NUT M 6 ZIN UNI 5588	2,00			--
0037		VTVT75726		SCREW TBEI M 6X 16 ISO 7380 ZB	4,00			--



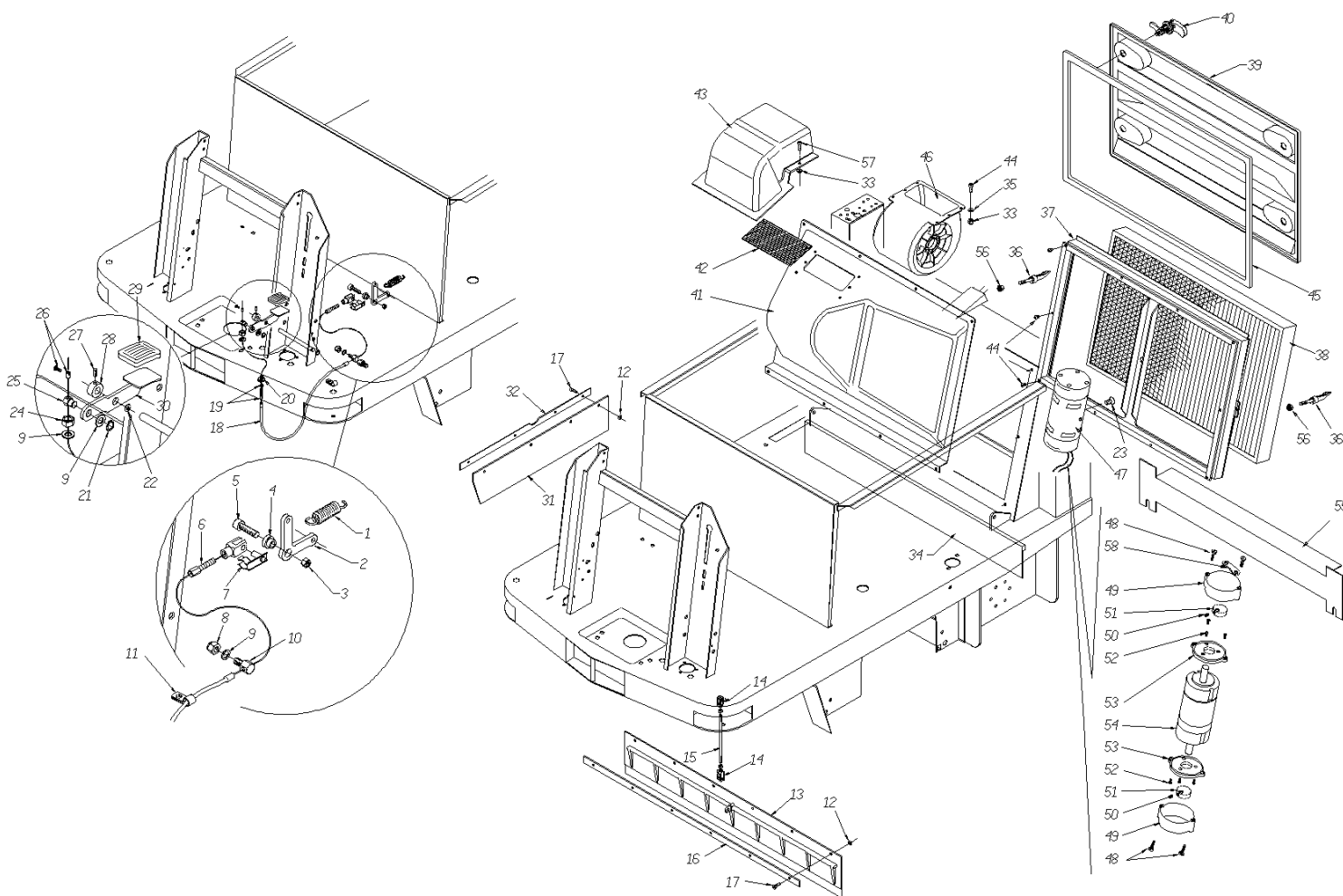
Ref. K	Part N.	Customer Part N.	Description	Qty	Validity:		Price
					From	To	
0038	VTRS04026		WASHER D. 6X18X2.38	4,00			--
0039	VTAE87276		SEEGER EXT. D10 DIN471	2,00			--
0040	VTRS00505		WASHER D.10 TE UNI 6592	2,00			--
0041	MLML47075		SPRING D.15X 24 X1.5	2,00			--
0042	MPVR47074		BUSHING L.14 INT.	2,00			--
0043	MPVR47076		BUSHING L.14 EXT.	2,00			--
0044	MPVR47077		KNOB L.14	2,00			--
0045	LAFN06795		BRACKET LEVE SPAZZOLE LATERALI	2,00			--
0046	LAFN06400		PROTECTION SIDE BRUSH	2,00			--
0047	VTVT00008		SCREW TE UNI 5739 6X30 ZB	2,00			--



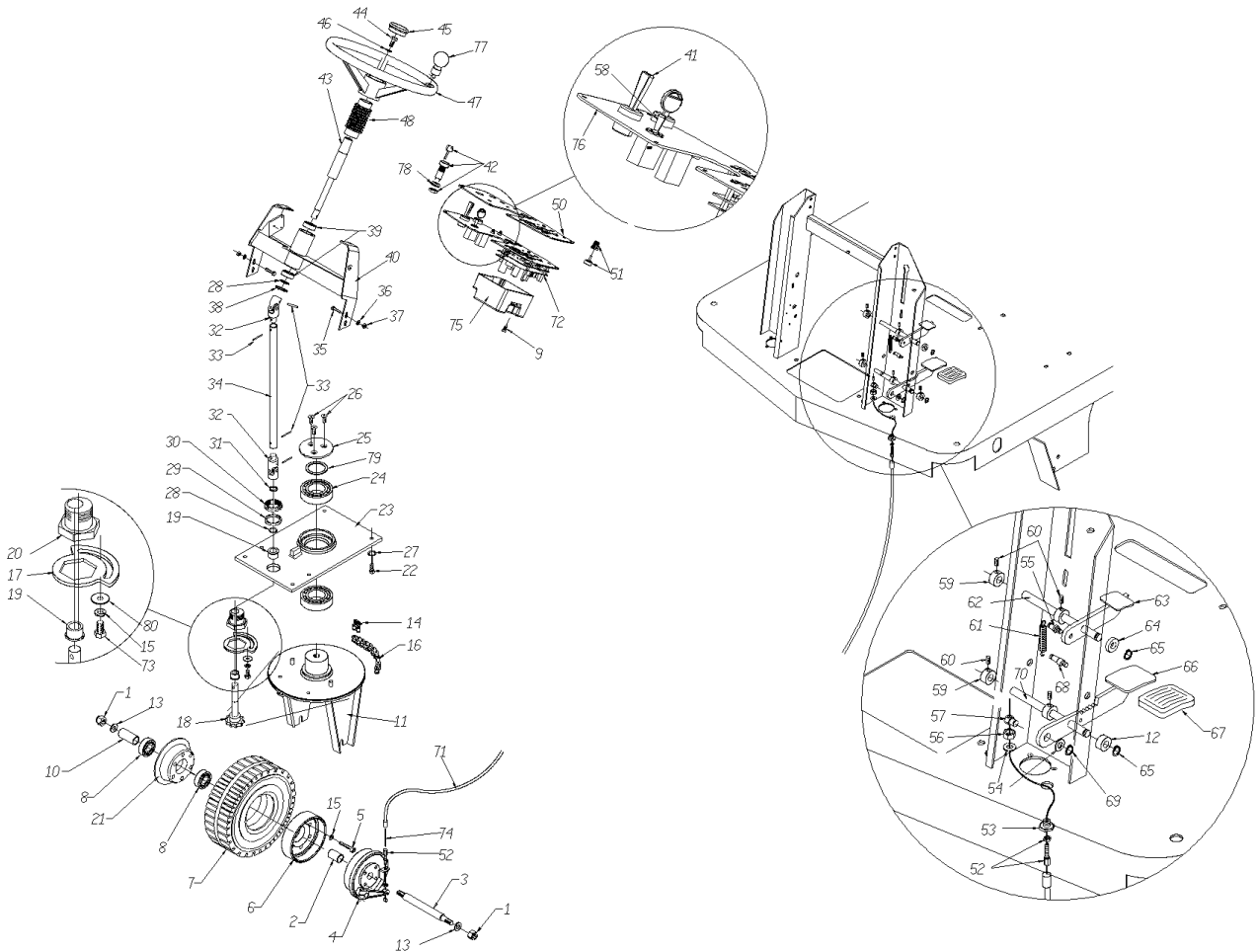
Ref.	K	Part N.	Customer Part N.	Description	Qty	Validity:		Price
						From	To	
0001		LAFN00245		DRAWER TK1200 COMPL.RAL7024 SOLL	1,00			--
0002		VTVT63029		SCREW TCEI M 6X 35 UNI 5931 ZB	3,00			--
0003		LAFN00141		BUSHING RULLINO CASSETTO TK1200	1,00			--
0004		VTRS00503		WASHER D. 6 TE UNI 6798	1,00			--
0005		LAFN00635		ROLLER CASSETTO TK1200	1,00			--
0006		VTDD19688		NUT M6 UNI 7473	6,00			--
0007		VTVT62920		SCREW TE F/ROND. M 6X 16 ZB	7,00			--
0008		VTVT01118		SCREW TCEI M 8X16 ZC. UNI 5931	2,00			--
0009		LAFN00410		HANDLE CASSETTO COMPLETO RAL7024	1,00			--
0010		MPVR00294		BUMPER POSTERIORE SUP.DX TK1200	1,00			--
0011		VTDD00482		NUT M 6 ZIN UNI 5588	8,00			--
0012		LAFN00354		LEVER SGANCIO CASSETTO	1,00			--
0013		LAFN00504		PIN MOLLA LEVA SGANCIO TK1200	1,00			--
0014		MLML00021		SPRING CHIAVISTELLO ROT.CASSETTO	1,00			--
0015		VTDD00124		NUT M 8 BASSO	5,00			--
0016		LAFN00506		PIN LEVA SGANCIO	1,00			--
0017		ABGO00008		VIBRATION DAMP.PM 20X20 M6X20	1,00			--
0018		CHVR76642		CLOSURE SW1000	1,00			--
0019		VTVT75719		SCREW TE F/ROND. M 6 X 10	8,00			--
0020		MPVR00284		COWLING COPRI PERNO	2,00			--
0021		LAFN00502		PIN CASSETTO	1,00			--
0022		LAFN00515		PIN BRACCIO	2,00			--
0023		LAFN00023		WASHER SPALLAMENTO CASSET.TK1200	1,00			--
0024		VTRS00512		WASHER D. 8 X24 ZC.	1,00			--
0025		VTVT24209		SCREW TCEI 6X12 UNI5931	5,00			--
0026		LAFN00508		PIN MOLLA GAS COMPLETO	2,00			--
0027		MPVR00286		CONVEYOR CASSETTO SX TK1200	1,00			--
0028		VTVT17639		SCREW TCEI M 5X10 UNI 5931	1,00			--
0029		VTVT09913		SCREW TCEI 6X16 UNI5931	1,00			--
0030		VTRS00291		WASHER D. 5 X20 ZC UNI 6593	1,00			--
0031		LAFN00792		BRACKET PARELLOGRAMMA COMPLETO	1,00			--
0032		LAFN00143		BUSHING BRACCIO	2,00			--
0033		LAFN00502		PIN CASSETTO	1,00			--
0034		VTDD00042		NUT AUT.M10 UNI7474	2,00			--
0035		VTRS00514		WASHER D.10X30X11.4	2,00			--
0036		MLML00004		SPRING A GAS X CASSETTO TK 1200	2,00			--
0037		MPVR00292		BUMPER POSTERIORE INF.DX TK1200	1,00			--
0038		MPVR00285		CONVEYOR CASSETTO DX TK1200	1,00			--
0039		LAFN00503		PIN BIELLA	2,00			--



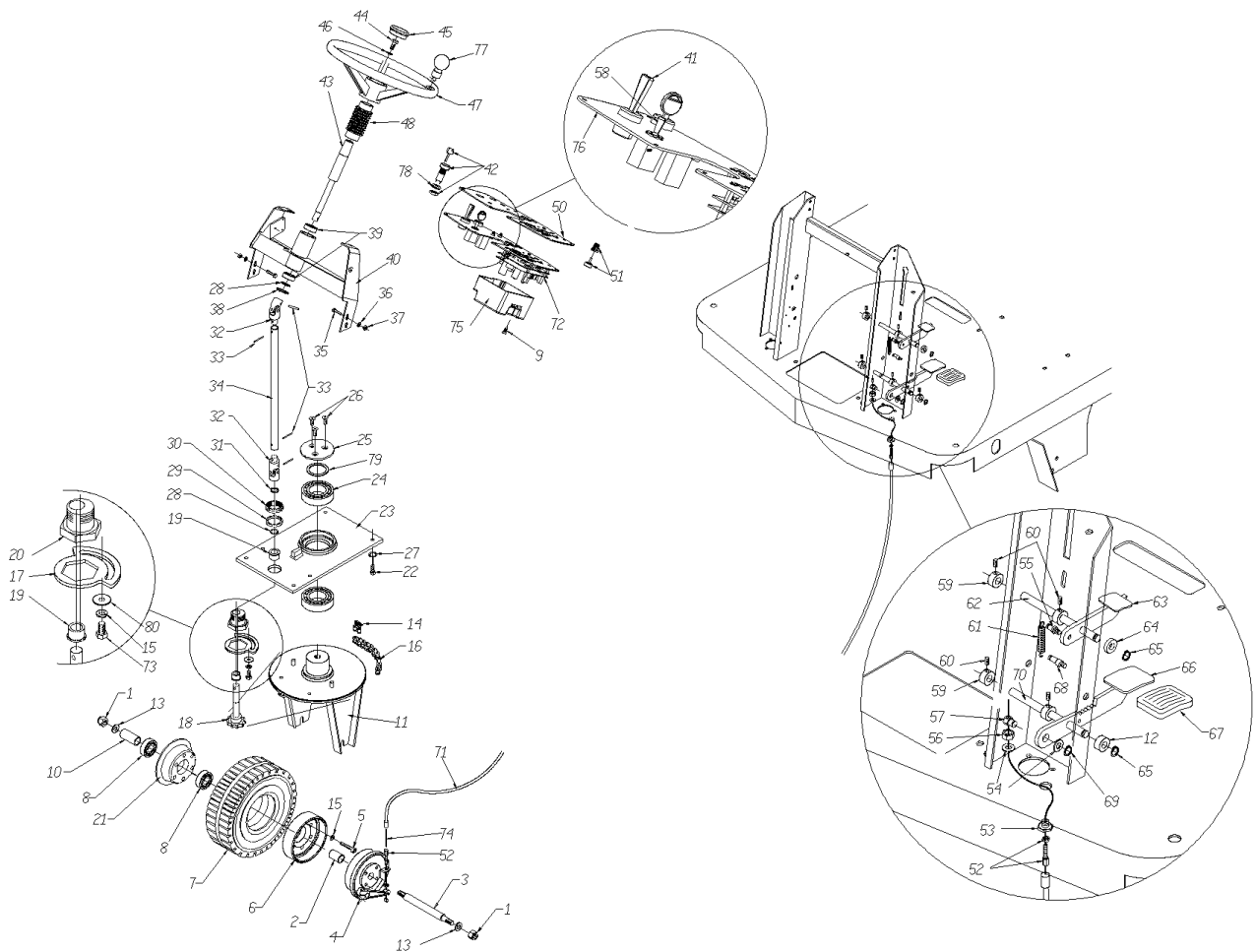
Ref.	K	Part N.	Customer Part N.	Description	Qty	Validity:		Price
						From	To	
0040		VTVT00017		SCREW TE UNI 5739 8X35 ZB	4,00			--
0041		LAFN00789		ARM SOLLEVAM.TK1200 COMPL ZIN	1,00			--
0042		LAFN00355		CONNECTING ROD COMPLETA	2,00			--
0043		MPVR00293		BUMPER POSTERIORE INF.SX TK1200	1,00			--
0044		VTVT01532		SCREW TE 6X25 UNI5739	2,00			--
0045		LAFN00788		ARM PRALELOGRAMMA COMPL.1200	1,00			--
0046		CMCV75717		CLIP UNI 1676 M6	2,00			--
0046		CMCV76639		FORK M 6 UNI 1676	2,00			--
0047		MPVR00295		BUMPER POSTERIORE SUP.SX TK1200	1,00			--
0048		LAFN00797		CONTOL ROD PARAURTI POSTERIORE COMPL	2,00			--
0049		CEVR85332		HINGE MEB F D.6 TK	2,00			--
0050		MLML00022		SPRING GANCIO ARPIONE	2,00			--
0051		LAFN00323		FLANGE SGANCIO SOLLEVAMENTO 1200	2,00			--
0052		LAFN00511		PIN ESTERNO BRACCIO DESTRO	1,00			--
0053		LAFN00512		PIN ESTERNO BRACCIO SINISTRO	1,00			--
0054		VTVT12255		SCREW TCEI 6X25 UNI5931	2,00			--
0055		LAFN00505		PIN GANCIO ARPIONE TK 1200	2,00			--
0056		MPVR47125		BUSHING D. 16X18X20 GLYC.	2,00			--
0057		LAFN00790		HOOK ARPIONE BRACCIO	2,00			--
0058		MPVR00011		BUSHING GLYCODUR GLY.PG 10-12-20F	2,00			--
0059		LAFN00791		HOOK ARPIONE	2,00			--
0060		VTVT06237		SCREW TCEI 6X20 UNI5931	4,00			--
0061		GUGO00036		GASKET CASSETTO POSTER.TK1200	1,00			--



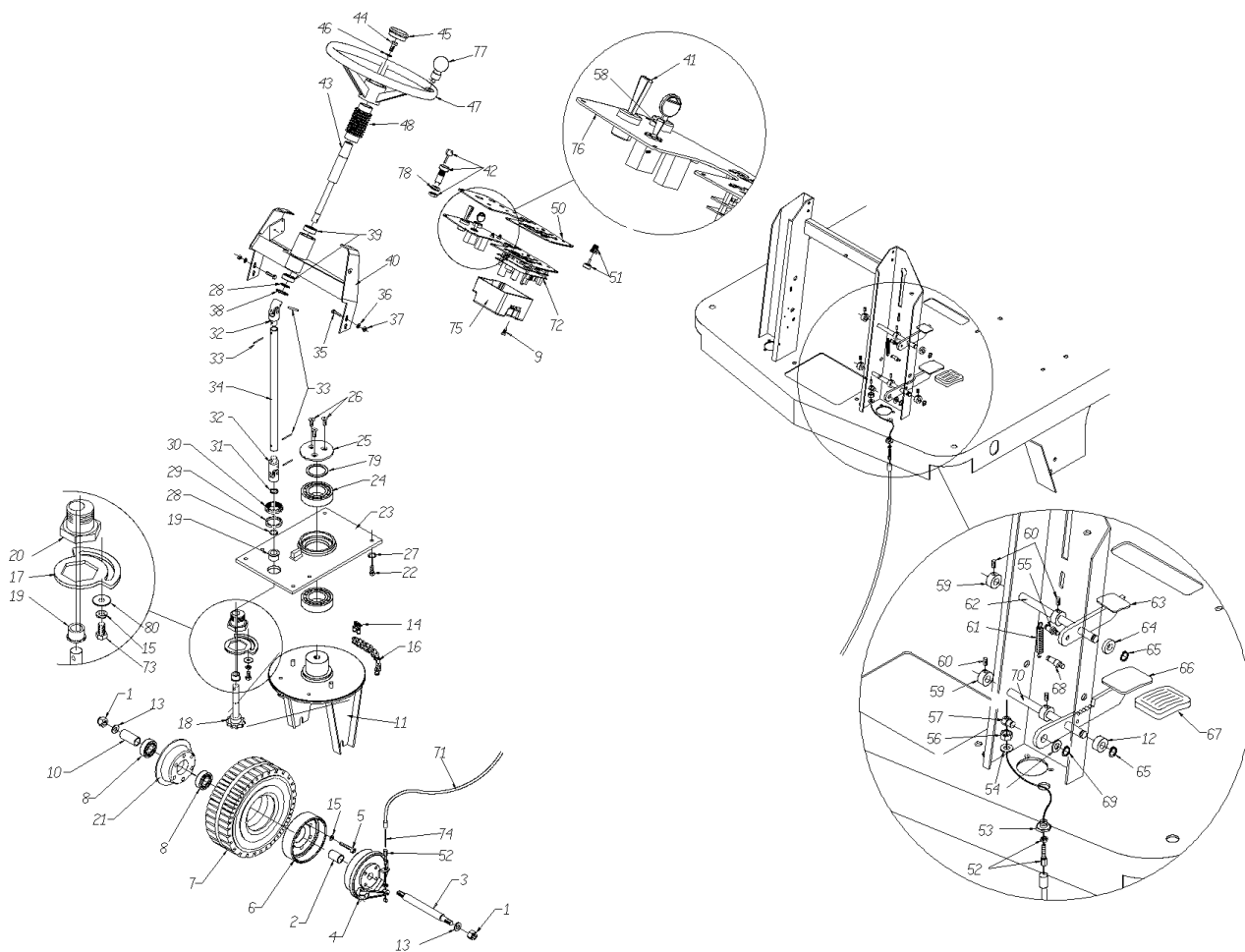
Ref. K	Part N.	Customer Part N.	Description	Qty	Validity:		Price
					From	To	
0040	CHVR26517		DRAWER CLOSURE LOLY 50	4,00			--
0042	LAFN00908		BRACKET VENTOLA	1,00			--
0043	PMVR00500		TUNNEL ESPULSIONE ARIA TK1200	1,00			--
0044	VTVT75726		SCREW TBEI M 6X 16 ISO 7380 ZB	18,00			--
0045	GUVR46899		GASKET COPERCHIO	1,00			--
0046	MOCC00008		MOTOR SUCTION GENIUS SWEEPER	1,00			--
0047	MOCC45112		MOTOR 24V CC ECC.	1,00			--
0048	VTVT47138		SCREW TSP-TC 3,9X32 ZC. UNI6955	8,00			--
0049	LAFN47139		MOTOR COVER L.14 FILT.	4,00			--
0050	VTVT75731		SCREW UNI 5923 6 X5	4,00			--
0051	LAFN47140		BUSHING L.14	4,00			--
0052	VTVT76616		SCREW M 4x18 STEAM GUN	12,00			--
0053	MFVR47141		FLANGE MOTOR L.14	4,00			--
0054	MOCC00004		MOTOR D.63 24V G3800 W35	1,00			--
0055	LAFN00855		BRACKET BLOCCA FILTRO G1200 VERN.	1,00			--
0056	VTDD13261		NUT M 8X1 UNI 5589	4,00			--
0057	VTVT62920		SCREW TE F/ROND. M 6X 16 ZB	2,00			--
0058	MPVR00765		RUBBER FISSAGGIO FILO SCUOTIFIL.	2,00			--



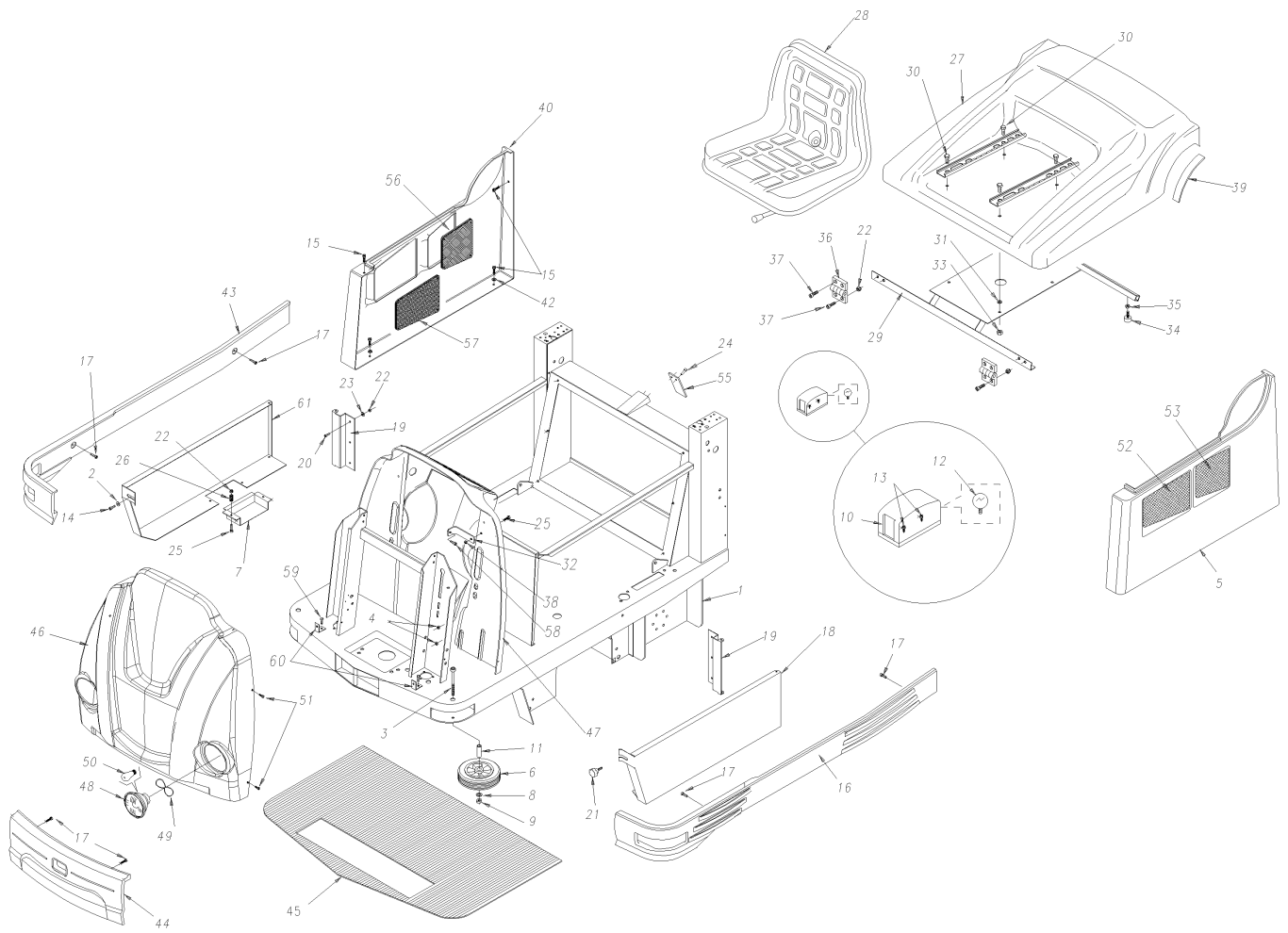
Ref.	K	Part N.	Customer Part N.	Description	Qty	Validity:		Price
						From	To	
0001		VTDD00012		NUT AUTOBLOK DIN 985 M12 ZB	2,00			--
0002		LAFN00265		SPACER RUOTA ANT.LATO FRENO 1000	1,00			--
0003		LAFN87163		PIN	1,00			--
0004		PMVR00231		BRAKE G1202	1,00			--
0005		VTVT29810		SCREW TCEI M 8X20 UNI 5931	5,00			--
0006		LAFN85291		HUB SW 1000 22501002	1,00			--
0007		KTRI75744		REAR WHEELS TK1000	1,00			--
0008		CUVR00005		BEARING 6202 2RS	2,00			--
0009		VTVT00288		SCREW TCTC 4X10	2,00			--
0010		LAFN00264		SPACER RUOTA ANTERIORE TK1000	1,00			--
0011		LAFN00853		SUPPORT RUOTA ANTER.MODIF.ZINC.	1,00			--
0012		LAFN47019		BUSHING L.14	1,00			--
0013		VTRS00506		WASHER D.12 UNI 6592	2,00			--
0014		MTCR47037		WARP KNITTING 3/8	2,00			--
0015		VTRS01080		WASHER D. 8 GRW	5,00			--
0016		MTCR00005		CHAIN STERZO TK1300/1200 3/8"	1,00			--
0017		LAFN47039		FLANGE L.14	1,00			--
0018		KTRI46514		PIN TK 1000 + BUSCH.	1,00			--
0019		LAFN75841		BUSHING TK 1000	2,00			--
0020		LAFN75842		BUSHING TK 1000	1,00			--
0021		LAFN85290		HUB SW 1000 22501004	1,00			--
0022		VTVT00447		SCREW TE 8X25 UNI5739	6,00			--
0023		LAFN00318		FLANGE FISSAG.RUOTA ANT.1300 ZIN	1,00			--
0024		CUVR75816		BEARING 51112	2,00			--
0025		LAFN47004		FLANGE TK1400	1,00			--
0026		VTVT00014		SCREW TE UNI 5739 8X20 CL.10.9	3,00			--
0027		VTRS01080		WASHER D. 8 GRW	6,00			--
0028		LAFN47020		THICKNESS D.15X22X1.0	5,00			--
0029		LAFN75913		SPACER TK	1,00			--
0030		VTVR75747		RING NUT AUTOBLOK M 35 X 1,5 GUK	1,00			--
0031		VTAE17003		CIRCLIP D. 15 UNI 7435	1,00			--
0032		VTVR47021		ARTICULATION D. 5-15	2,00			--
0033		VTVR46987		ELASTIC PLUG 5X25 UNI 6873	2,00			--
0034		ALTR00035		SHAFT STERZO G1200-G1300 ZINC.	1,00			--
0035		VTVT62920		SCREW TE F/ROND. M 6X 16 ZB	4,00			--
0036		VTRS04026		WASHER D. 6X18X2.38	4,00			--
0037		VTDD00491		NUT M 6 TEF	4,00			--
0038		VTAE17003		CIRCLIP D. 15 UNI 7435	1,00			--
0039		CUVR00005		BEARING 6202 2RS	2,00			--



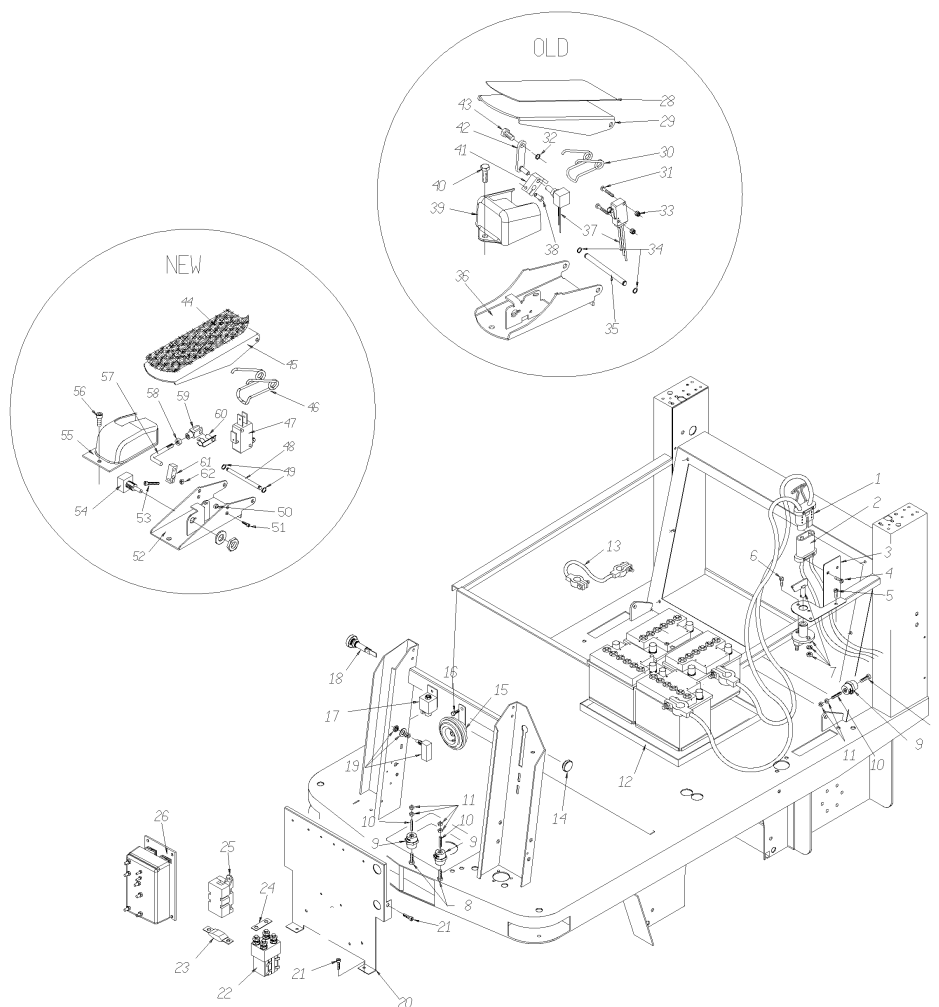
Ref. K	Part N.	Customer Part N.	Description	Qty	Validity:		Price
					From	To	
0040	LAFN06791		ASSEMBLED SUPPORTO PIANTONE	1,00			--
0041	MECI00337		SWITCH A LEVA	1,00			--
0042	MECI75805		SWITCH TK	1,00			--
0043	LAFN47024		UP STEERING L.14	1,00			--
0044	VTVT00642		SCREW TE 10X30	1,00	05/2006		--
0044	VTVT47025		SCREW TBEI M 10X 16 ISO 7380 ZB	1,00		05/2006	--
0045	MPVR47026		BLACK CAP L.14	1,00			--
0046	VTRS44254		WASHER D.10 X40X2.5 UNI6593	1,00			--
0047	MPVR47027		STEERING WHEEL D. 320 L.14	1,00			--
0048	MPVR47066		PROTECTOR L.14	2,00			--
0050	ETET01403		LABEL PLANCIA	1,00			--
0051	MECE00016		PCB MICRO + DISPLAY	1,00			--
0052	CMCV75723		REGISTER D.7	1,00			--
0053	LAFN75975		PIN TK	1,00			--
0054	VTRS00506		WASHER D.12 UNI 6592	2,00			--
0055	LAFN47029		PIN CH.10 H.16	1,00			--
0056	VTDD01682		NUT M12 ZC UNI 5588	1,00			--
0057	LAFN75973		PIN FLAP TK	1,00			--
0058	MECI30499		SWITCH 10A - 250VAC	1,00			--
0059	LAFN47030		BUSHING L.14	3,00			--
0060	VTVT75731		SCREW UNI 5923 6 X5	3,00			--
0061	MLML75960		SPRING D. 8 X1 X32	1,00			--
0062	LAFN47031		PIN L.14	1,00			--
0063	LAFN47032		PEDALE L.14	1,00			--
0064	LAFN47033		BUSHING L.14	1,00			--
0065	VTAE87276		SEGER EXT. D10 DIN471	2,00			--
0066	LAFN47034		BRAKE PEDAL L.14	1,00			--
0067	MPVR45096		RUBBER V 1201 GR.	1,00			--
0068	LAFN47035		PIN CH.10 H.26	1,00			--
0069	VTAE14016		CIRCLIP D. 12 UNI 7435	1,00			--
0070	LAFN47036		PIN BRK.+FLAP L.14	1,00			--
0071	CMCV75904		BRAKE SHEATH TK 1000E/S	1,00			--
0072	MECE00016		PCB MICRO + DISPLAY	1,00			--
0073	VTVT01110		SCREW TE 8X16 UNI5739	1,00			--
0074	CMCV85320		CABLE D.2,5 L.760 21251003	1,00			--
0075	MPVR00878		FAN COVER MICRO	1,00		04/2006	--
0075	MPVR04902		COVER SCHEDA MICRO	1,00	04/2006		--
0076	LAFN06792		BOARD COMANDI	1,00			--
0077	MPVR47040		KNOB L.14	1,00			--



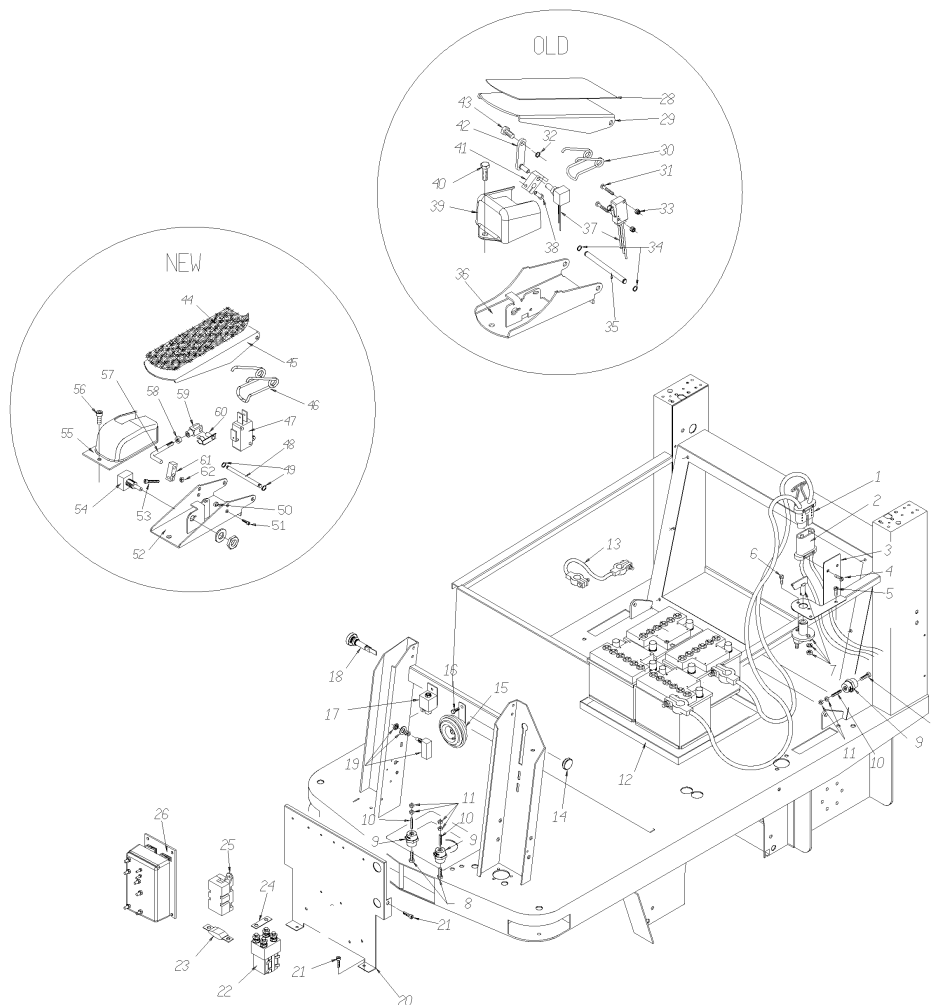
Ref.	K	Part N.	Customer Part N.	Description	Qty	Validity:		Price
						From	To	
0078		VTRS00023		WASHER DENTATA INT.UNI 6798 D.18	1,00			--
0079		LAFN00912		THICKNESS STERZO	1,00			--
0080		VTRS00512		WASHER D. 8 X24 ZC.	1,00			--



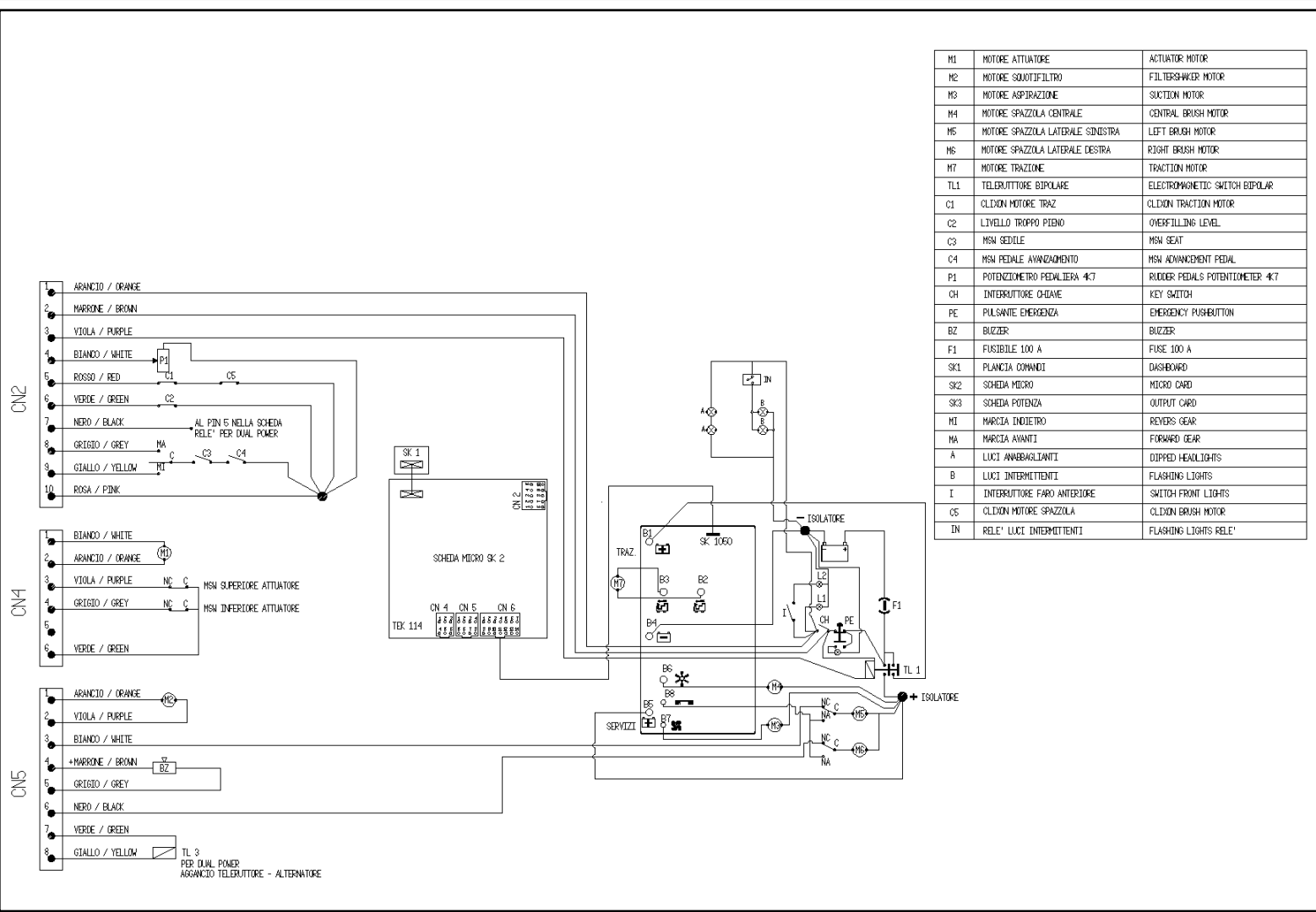
Ref.	K	Part N.	Customer Part N.	Description	Qty	Validity: From	To	Price
0001		LAFN01024		FRAME TK1200 GRIGIO RAL7024	1,00			--
0002		VTRS04026		WASHER D. 6X18X2.38	1,00			--
0003		VTVT28307		SCREW TCCE UNI 5931 10X70 ZN	2,00			--
0004		VTDD00013		NUT INGABBIATO UNI 3740 M6	4,00			--
0005		MPVR04673		BODY SIDE SX	1,00			--
0006		RTRT31046		WHEEL D.150 E 350	2,00			--
0007		LAFN00776		PROTECTION CING.PORT.LAT DX 1300/200	1,00			--
0008		VTRS00505		WASHER D.10 TE UNI 6592	2,00			--
0009		VTDD00042		NUT AUT.M10 UNI7474	2,00			--
0010		MELF85067		LANTERN FLASH 21W 24V OR.	2,00			--
0011		LAFN47011		BUSHING L.14	2,00			--
0012		MELF33431		LAMP 24 V 21 W	2,00			--
0013		VTVT19236		SCREW TCEI 5X20 UNI 5931	4,00			--
0014		VTVT62920		SCREW TE F/ROND. M 6X 16 ZB	1,00			--
0015		VTVT06237		SCREW TCEI 6X20 UNI5931	8,00			--
0016		MPVR00268		BUMPER LATERALE SX G1200-1300	1,00			--
0017		VTVT01118		SCREW TCEI M 8X16 ZC. UNI 5931	6,00			--
0018		LAFN00782		PLANE SX	1,00			--
0019		CEVR00001		HINGE X PORTELLI TK1300 ZINCATA	2,00			--
0020		VTVT00527		SCREW TE FR 6X10 ZB ZIG.	2,00			--
0021		RTRT00022		HANDWHEEL D.30 M6X15	1,00			--
0022		VTDD00491		NUT M 6 TEF	2,00			--
0023		VTRS00503		WASHER D. 6 TE UNI 6798	2,00			--
0024		VTVT75726		SCREW TBEI M 6X 16 ISO 7380 ZB	2,00			--
0025		VTVT75726		SCREW TBEI M 6X 16 ISO 7380 ZB	2,00			--
0026		MLML46644		SPRING D. 6	2,00			--
0027		MPVR00287		HOOD SUPERIORE TK1200 GRIGIO	1,00			--
0028		SESD00003		SEAT TK1300 CON MICRO.E GUIDE	1,00		04/2014	--
0028		SESD45981		SEAT SC 73 L.14	1,00	04/2014		--
0029		LAFN01023		FRAME PORTASEDILE TK1200 COMPL.	1,00			--
0030		VTVT00447		SCREW TE 8X25 UNI5739	4,00			--
0031		VTRS00504		WASHER D. 8 TE ZC. UNI 6592	4,00			--
0032		LAFN06794		BRACKET FISSA FRONTALE G1404	2,00			--
0033		VTDD00124		NUT M 8 BASSO	4,00			--
0034		ABGO00008		VIBRATION DAMP.PM 20X20 M6X20	2,00			--
0035		VTDD00482		NUT M 6 ZIN UNI 5588	2,00			--
0036		CEVR85332		HINGE MEB F D.6 TK	2,00			--
0037		VTVT12255		SCREW TCEI 6X25 UNI5931	4,00			--
0038		VTDD00491		NUT M 6 TEF	2,00			--



Ref.	K	Part N.	Customer Part N.	Description	Qty	Validity:		Price
						From	To	
0001		MECB44779		WIRING INTERNO BATTERIE	1,00			--
0002		MEVR44180		PLUG FT 80	1,00			--
0003		LAFN87621		PLATE PORTA PRESA TK1300/1200	1,00			--
0004		VTVT00128		SCREW TC M4X30	2,00			--
0005		VTVT13515		SCREW TSPEI M6x16 UNI5933 10.9	2,00			--
0006		VTVT09913		SCREW TCEI 6X16 UNI5931	2,00			--
0007		AZMC75803		DIASASS.SPANNERSW 1000	1,00			--
0008		VTVT00527		SCREW TE FR 6X10 ZB ZIG.	3,00			--
0009		MEVR47082		INSULATOR M6 35-CH32	3,00			--
0010		VTVT47088		SCREW EI-ST 6X30 UNI5923 ZC	3,00			--
0011		VTDD00482		NUT M 6 ZIN UNI 5588	6,00			--
0012		LAFN46836		BATTERY SUPPORTL.14000 TK	1,00			--
0013		MEVR34820		WIRING B 450 BT	3,00			--
0014		MPVR00048		CAP DIAM.22 NERO P9ARHPR	1,00			--
0015		MEVR47083		KLAXON L.14 24V	1,00			--
0016		VTVT85116		SCREW TE FR 6,3X19 ZIN	1,00			--
0017		MECE00428		SWITCH RELAY 24V	1,00			--
0018		MECI00028		BUTTON DI EMERGENZA TK1400 24V	1,00			--
0019		MECI75801		MICROSWITCH TK	2,00			--
0020		LAFN06784		PLATE SUPPORTO ELETTRONICA	1,00			--
0021		VTVT62920		SCREW TE F/ROND. M 6X 16 ZB	4,00			--
0022		MECI00037		CONTACTOR TL22 P V 24V	1,00			--
0023		MEVR00145		FUSE 100A	1,00			--
0024		MECB00117		WIRING TELERUTTORE	1,00			--
0025		MEVR00146		FUSE-HOLDER MEGA	1,00			--
0026		MECE00019		BOARD POWER TRACTION G1050-1202	1,00			--
0028		ETET01356		ADHESIVE PEDALE P185	1,00		10/2006	--
0029		LAFN51064		ASSEMBLED PEDALE AVANZ.SUPER.	1,00		10/2006	--
0030		MLML00034		SPRING PEDALE AVANZAMENTO G1050	1,00		10/2006	--
0031		VTVT00654		SCREW TC+ M.3-20	2,00		10/2006	--
0032		VTAE48552		CIRCLIP D. 6 UNI 7435	1,00		10/2006	--
0033		VTDD21115		NUT M 3 INOX	2,00		10/2006	--
0034		VTAE48552		CIRCLIP D. 6 UNI 7435	2,00		10/2006	--
0035		LAFN04159		PIN PEDALE P185	1,00		10/2006	--
0036		LAFN51063		ASSEMBLED BASE PEDALE AVANZ.	1,00		10/2006	--
0037		MECB00124		WIRING pedale acceleratore G1050	1,00		10/2006	--
0038		VTVT21096		SCREW TE M 4X 10 INX	1,00		10/2006	--
0039		MPVR51062		COVER POTENZIOM.	1,00		10/2006	--
0040		VTVT06237		SCREW TCEI 6X20 UNI5931	1,00		10/2006	--

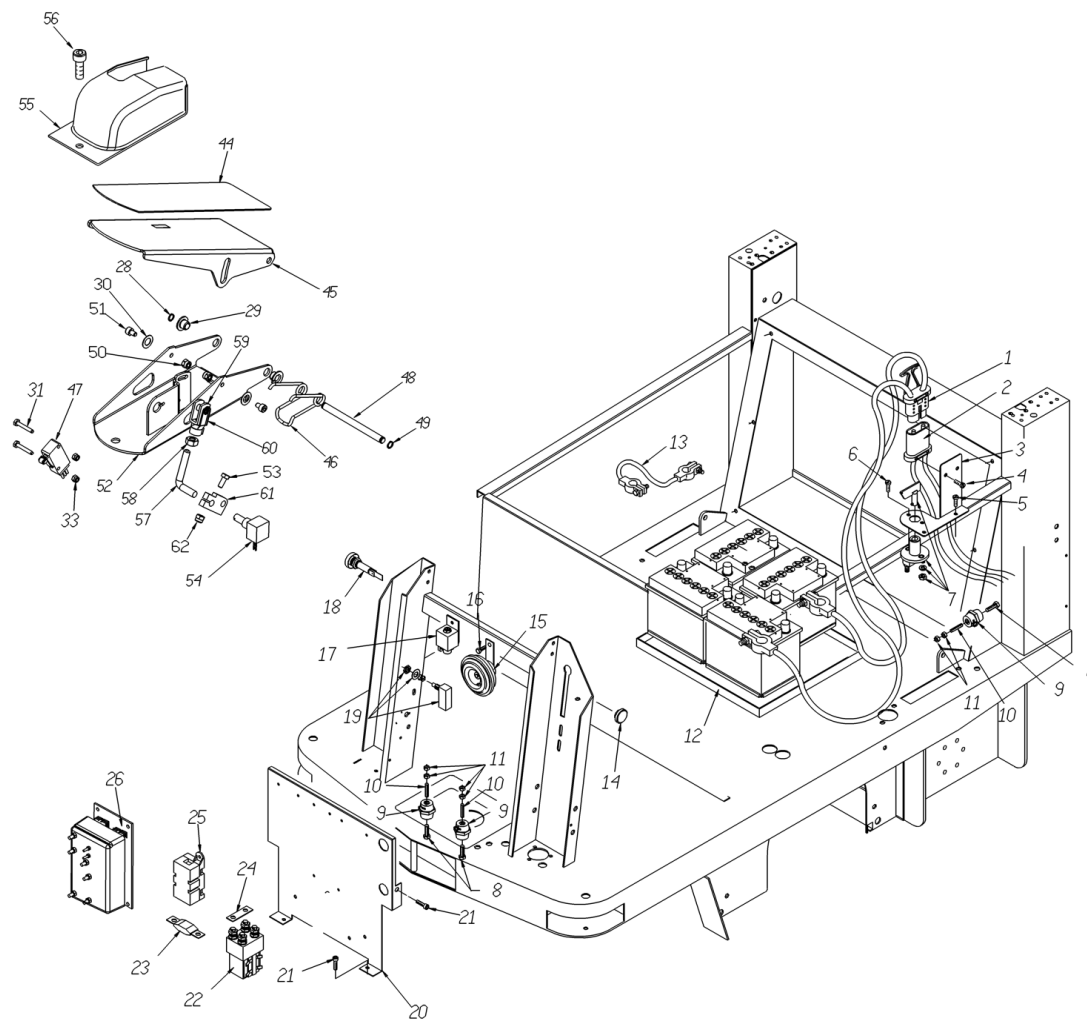


Ref.	K	Part N.	Customer Part N.	Description	Qty	Validity:		Price
						From	To	
0041		MPVR51061		HANDLE POTENZIOM.	1,00		10/2006	--
0042		LAFN51062		ASSEMBLED BIELLA PEDALE AVANZ.	1,00		10/2006	--
0043		LAFN51061		PIN AGGANCIO PEDALE MOB.	1,00		10/2006	--
0044		MPVR00866		PLANE ANTISDRUCCIOLO G1050	1,00	10/2006		--
0045		LAFN06474		SHEET METAL PA.PEDALE	1,00	10/2006		--
0046		MLML00034		SPRING PEDALE AVANZAMENTO G1050	1,00	10/2006		--
0047		MECB00995		WIRING PEDALE ACCEL.P160	1,00	10/2006		--
0048		LAFN00524		PIN PEDALE TK 1050	1,00	10/2006		--
0049		VTAE48552		CIRCLIP D. 6 UNI 7435	2,00	10/2006		--
0050		VTDD04369		NUT M 4 TEF UNI 7473	2,00	10/2006		--
0051		VTVT00089		SCREW TCCE UNI 5931 4X10 ZB	2,00	10/2006		--
0052		LAFN06473		SHEET METAL PA.PEDALE	1,00	10/2006		--
0053		VTVT00704		SCREW TE M 4X 16 UNI5739 INOX	1,00	10/2006		--
0054		MECB00995		WIRING PEDALE ACCEL.P160	1,00	10/2006		--
0055		MPVR00302		CRANKCASE PEDALE AVANZAMENTO	1,00	10/2006		--
0056		VTVT62920		SCREW TE F/ROND. M 6X 16 ZB	1,00	10/2006		--
0057		LAFN00909		BRACKET BIELLETTA PEDALE	1,00	10/2006		--
0058		VTDD00004		NUT M 6 ZC UNI5588	1,00	10/2006		--
0059		CMCV76639		FORK M 6 UNI 1676	2,00	10/2006		--
0060		CMCV75717		CLIP UNI 1676 M6	2,00	10/2006		--
0061		LAFN01149		CONNECTING ROD PEDALE AVANZAMENTO G1050	1,00	10/2006		--
0062		VTDD00055		NUT M 4 ATB A2	1,00	10/2006		--

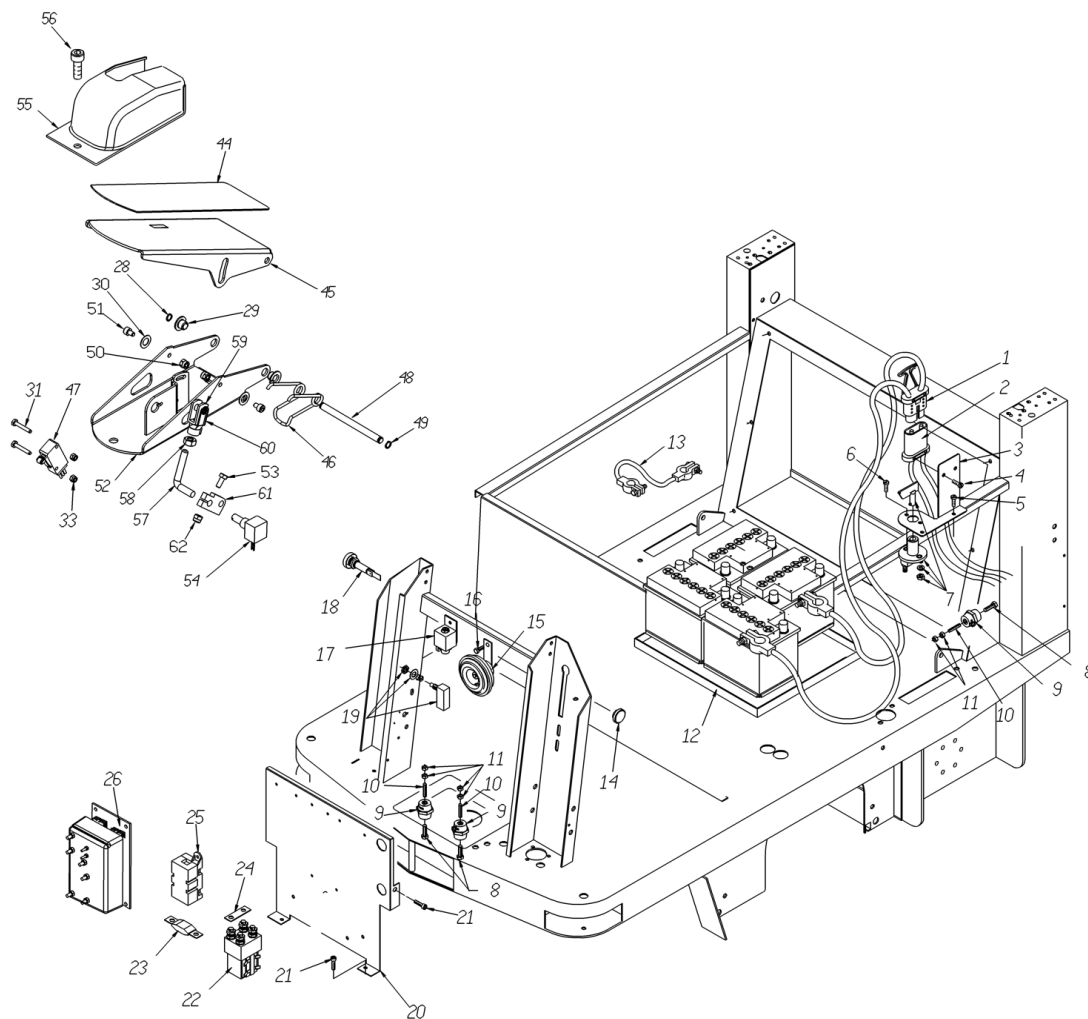


M1	MOTORE ATTUATORE	ACTUATOR MOTOR
M2	MOTORE SQUOTIFILTRO	FILTERSHAKER MOTOR
M3	MOTORE ASPIRAZIONE	SUCTION MOTOR
M4	MOTORE SPAZZOLA CENTRALE	CENTRAL BRUSH MOTOR
M5	MOTORE SPAZZOLA LATERALE SINISTRA	LEFT BRUSH MOTOR
M6	MOTORE SPAZZOLA LATERALE DESTRA	RIGHT BRUSH MOTOR
M7	MOTORE TRAZIONE	TRACTION MOTOR
TL1	TELEMTTITTORE BIPOLARE	ELECTROMAGNETIC SWITCH BIPOLAR
C1	CLIDON MOTORE TRAZ	CLIDON TRACTION MOTOR
C2	LIVELLO TROPPO PIENO	OVERFILLING LEVEL
C3	MSN SEDILE	MSN SEAT
C4	MSN PEDALE AVANZAMENTO	MSN ADVANCEMENT PEDAL
P1	POTENZIOMETRO PEDALIERA 4-7	RUDDER PEDALS POTENTIOMETER 4-7
CH	INTERRUOTORE CHIAVE	KEY SWITCH
PE	PULSANTE EMERGENZA	EMERGENCY PUSHBUTTON
BZ	BIZZER	BIZZER
F1	FUSIBILE 100 A	FUSE 100 A
SK1	PLANCIA COMANDI	DASHBOARD
SK2	SCHEDE MICRO	MICRO CARD
SK3	SCHEDE POTENZA	OUTPUT CARD
MI	MARCIA INDIETRO	REVERS GEAR
MA	MARCIA AVANTI	FORWARD GEAR
A	LUCI ANABBARLIANTI	DIPPED HEADLIGHTS
B	LUCI INTERMITTENTI	FLASHING LIGHTS
I	INTERRUOTORE FARO ANTERIORE	SWITCH FRONT LIGHTS
C5	CLIDON MOTORE SPAZZOLA	CLIDON BRUSH MOTOR
IN	RELE* LUCI INTERMITTENTI	FLASHING LIGHTS RELE*

Ref.	K	Part N.	Customer Part N.	Description	Qty	Validity: From	To	Price
A		MEVR00135		LANTERN G1400	1,00			--
B		MELF85067		LANTERN FLASH 21W 24V OR.	1,00			--
C4		MECB00124		WIRING pedale acceleratore G1050	1,00			--
CH		MECI75805		SWITCH TK	1,00			--
F1		MEVR00145		FUSE 100A	1,00			--
I		MECI76658		COMMUTAT.SWITCH2 P. TK	1,00			--
IN		MECE00428		SWITCH RELAY 24V	1,00			--
M1		MECB00983		WIRING ATTUATORE	1,00			--
M2		MOCC45112		MOTOR 24V CC ECC.	1,00			--
M3		MOCC00008		MOTOR SUCTION GENIUS SWEEPER	1,00			--
M4		MOCC00282		MOTOR BRUSH IP44 G1202-1303	1,00			--
M5		RDGR75785		MOTOR.GEARBOX AOMP140 24V 90W SX	1,00			--
M6		RDGR75784		MOTOR.GEARBOX AOMP140 24V TK1000	1,00			--
M7		MOCC00007		MOTOR.GEARBOX TRAZIONE TK1300 DP	1,00			--
MA		MECI00337		SWITCH A LEVA	1,00			--
MI		MECI00337		SWITCH A LEVA	1,00			--
P1		MECB00124		WIRING pedale acceleratore G1050	1,00			--
PE		MECI00028		BUTTON DI EMERGENZA TK1400 24V	1,00			--
SK1		MECE00016		PCB MICRO + DISPLAY	1,00			--
SK2		MECE00016		PCB MICRO + DISPLAY	1,00			--
SK3		MECE00019		BOARD POWER TRACTION G1050-1202	1,00			--
TL1		MECI00037		CONTACTOR TL22 P V 24V	1,00			--



Ref.	K	Part N.	Customer Part N.	Description	Qty	Validity:		Price
						From	To	
0001		MECB44779		WIRING INTERNO BATTERIE	1,00			--
0002		MEVR44180		PLUG FT 80	1,00			--
0003		LAFN87621		PLATE PORTA PRESA TK1300/1200	1,00			--
0004		VTVT00128		SCREW TC M4X30	2,00			--
0005		VTVT13515		SCREW TSPEI M6x16 UNI5933 10.9	2,00			--
0006		VTVT09913		SCREW TCEI 6X16 UNI5931	2,00			--
0007		AZMC75803		DIASASS.SPANNERSW 1000	1,00			--
0008		VTVT00527		SCREW TE FR 6X10 ZB ZIG.	3,00			--
0009		MEVR47082		INSULATOR M6 35-CH32	3,00			--
0010		VTVT47088		SCREW EI-ST 6X30 UNI5923 ZC	3,00			--
0011		VTDD00482		NUT M 6 ZIN UNI 5588	6,00			--
0012		LAFN46836		BATTERY SUPPORTL.14000 TK	1,00			--
0013		MEVR34820		WIRING B 450 BT	3,00			--
0014		MPVR00048		CAP DIAM.22 NERO P9ARHPR	1,00			--
0015		MEVR47083		KLAXON L.14 24V	1,00			--
0016		VTVT85116		SCREW TE FR 6,3X19 ZIN	1,00			--
0017		MECE00428		SWITCH RELAY 24V	1,00			--
0018		MECI00028		BUTTON DI EMERGENZA TK1400 24V	1,00			--
0019		MECI75801		MICROSWITCH TK	2,00			--
0020		LAFN06784		PLATE SUPPORTO ELETTRONICA	1,00			--
0021		VTVT62920		SCREW TE F/ROND. M 6X 16 ZB	4,00			--
0022		MECI00037		CONTACTOR TL22 P V 24V	1,00			--
0023		MEVR00145		FUSE 100A	1,00			--
0024		MECB00117		WIRING TELERUTTORE	1,00			--
0025		MEVR00146		FUSE-HOLDER MEGA	1,00			--
0026		MECE00019		BOARD POWER TRACTION G1050-1202	1,00			--
0028		VTAE48552		CIRCLIP D. 6 UNI 7435	1,00			--
0029		CUVR00183		BUSHING -	2,00			--
0030		MPVR05528		WASHER -	2,00			--
0031		VTVT00654		SCREW TC+ M.3-20	2,00			--
0033		VTDD21115		NUT M 3 INOX	2,00			--
0044		MPVR00866		PLANE ANTISDRUCCIOLO G1050	1,00			--
0045		LAFN06474		SHEET METAL PA.PEDALE	1,00			--
0046		MLML00034		SPRING PEDALE AVANZAMENTO G1050	1,00			--
0047		MECB00995		WIRING PEDALE ACCEL.P160	1,00			--
0048		LAFN00524		PIN PEDALE TK 1050	1,00			--
0049		VTAE48552		CIRCLIP D. 6 UNI 7435	1,00			--
0050		VTDD04369		NUT M 4 TEF UNI 7473	2,00			--
0051		VTVT00089		SCREW TCCE UNI 5931 4X10 ZB	2,00			--



Ref.	K	Part N.	Customer Part N.	Description	Qty	Validity:		Price
						From	To	
0052		LAFN07532		BUSHING -	1,00			--
0053		VTVT00727		SCREW TE M. 4-20	1,00			--
0054		MECB00995		WIRING PEDALE ACCEL.P160	1,00			--
0055		MPVR00302		CRANKCASE PEDALE AVANZAMENTO	1,00			--
0056		VTVT62920		SCREW TE F/ROND. M 6X 16 ZB	1,00			--
0057		LAFN00909		BRACKET BIELLETTA PEDALE	1,00			--
0058		VTDD00482		NUT M 6 ZIN UNI 5588	1,00			--
0059		CMCV76639		FORK M 6 UNI 1676	2,00			--
0060		CMCV75717		CLIP UNI 1676 M6	2,00			--
0061		LAFN01149		CONNECTING ROD PEDALE AVANZAMENTO G1050	1,00			--
0062		VTDD04369		NUT M 4 TEF UNI 7473	1,00			--