



IPC Integrated Professional Cleaning

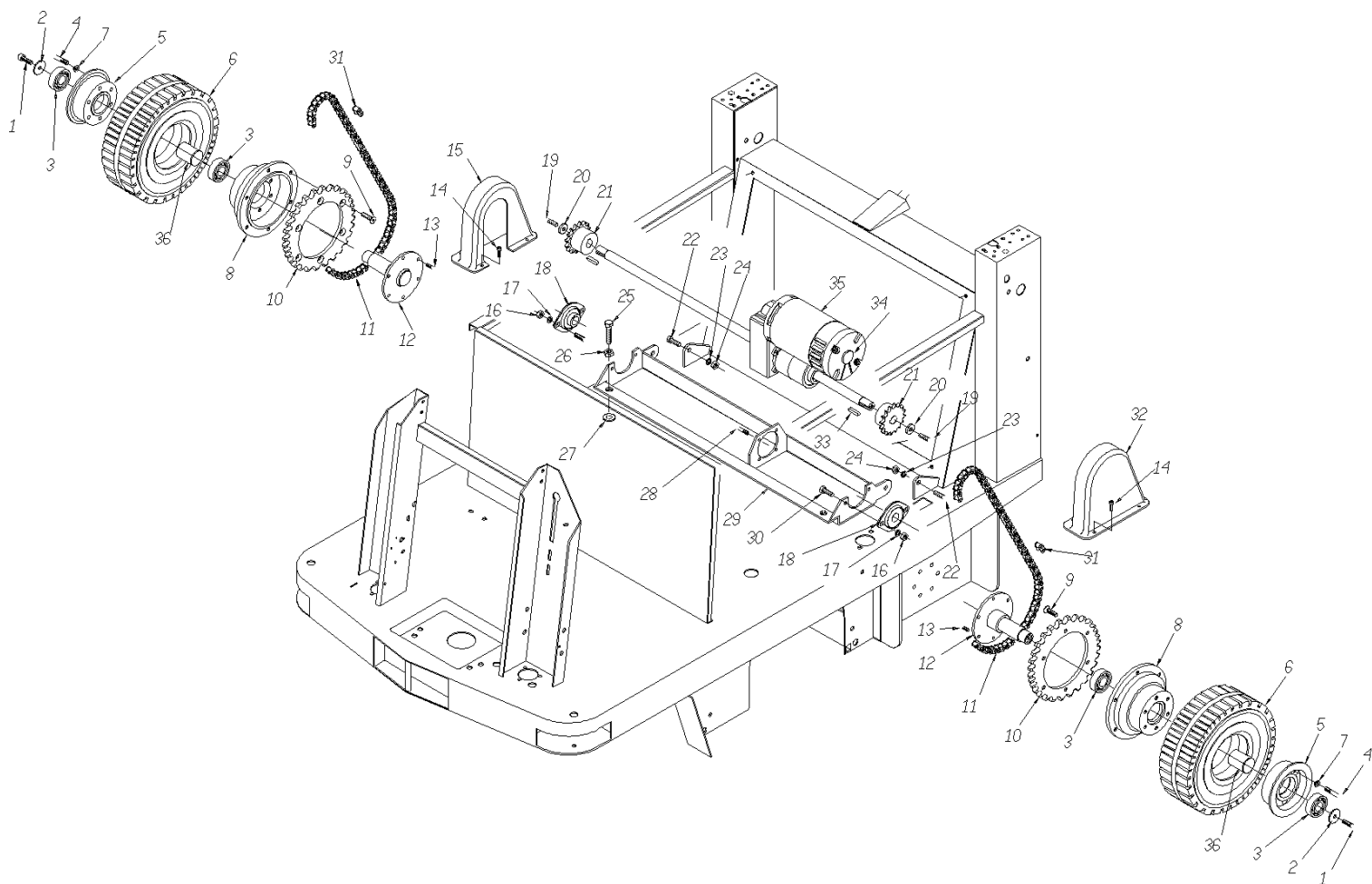
IPC Gansow

Spare Parts List

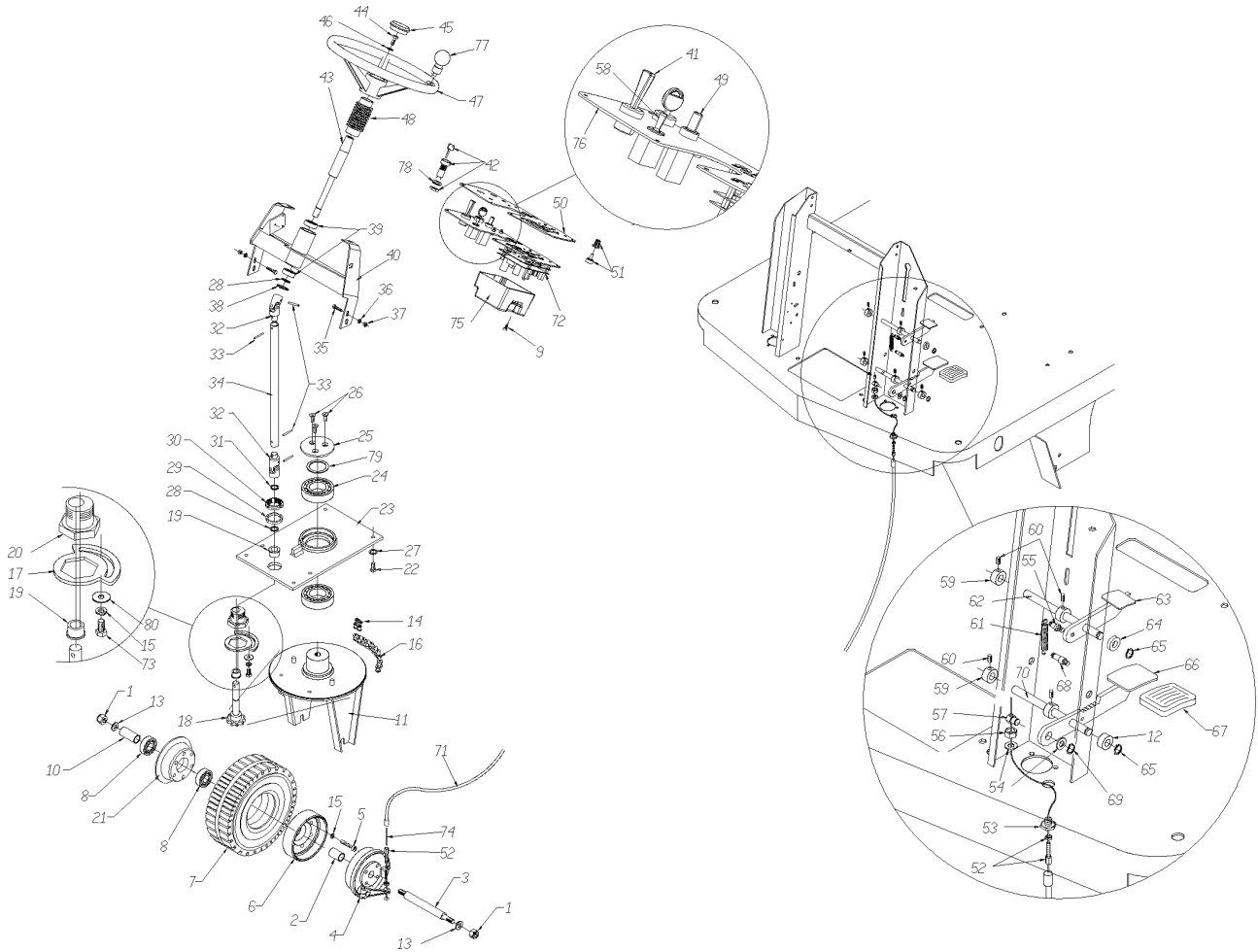
TAVERNARO AG

Ref: MSUB00273

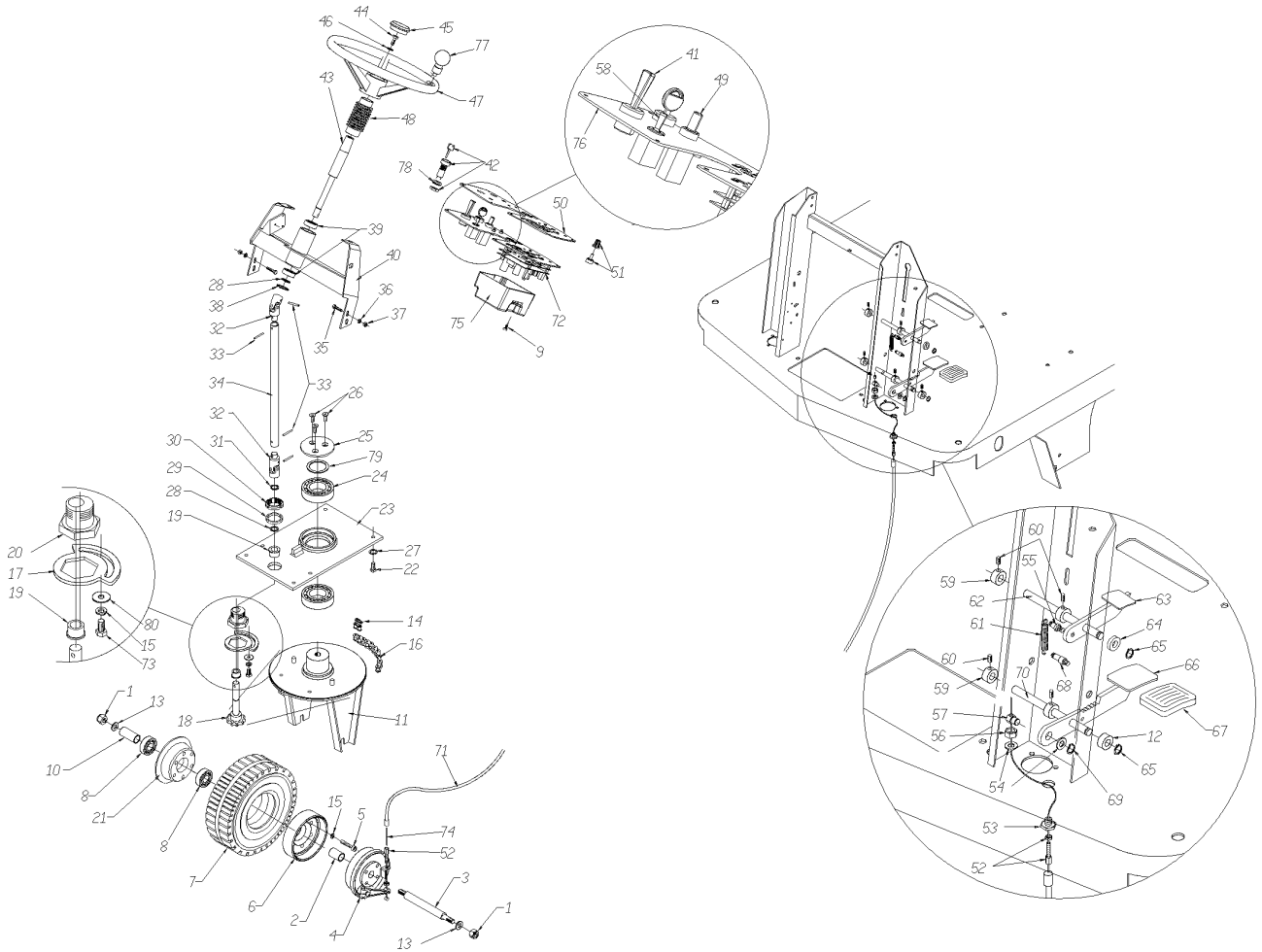
Model: Spazzatrice G 1202DP gr/gr 2SP SA+L IPC



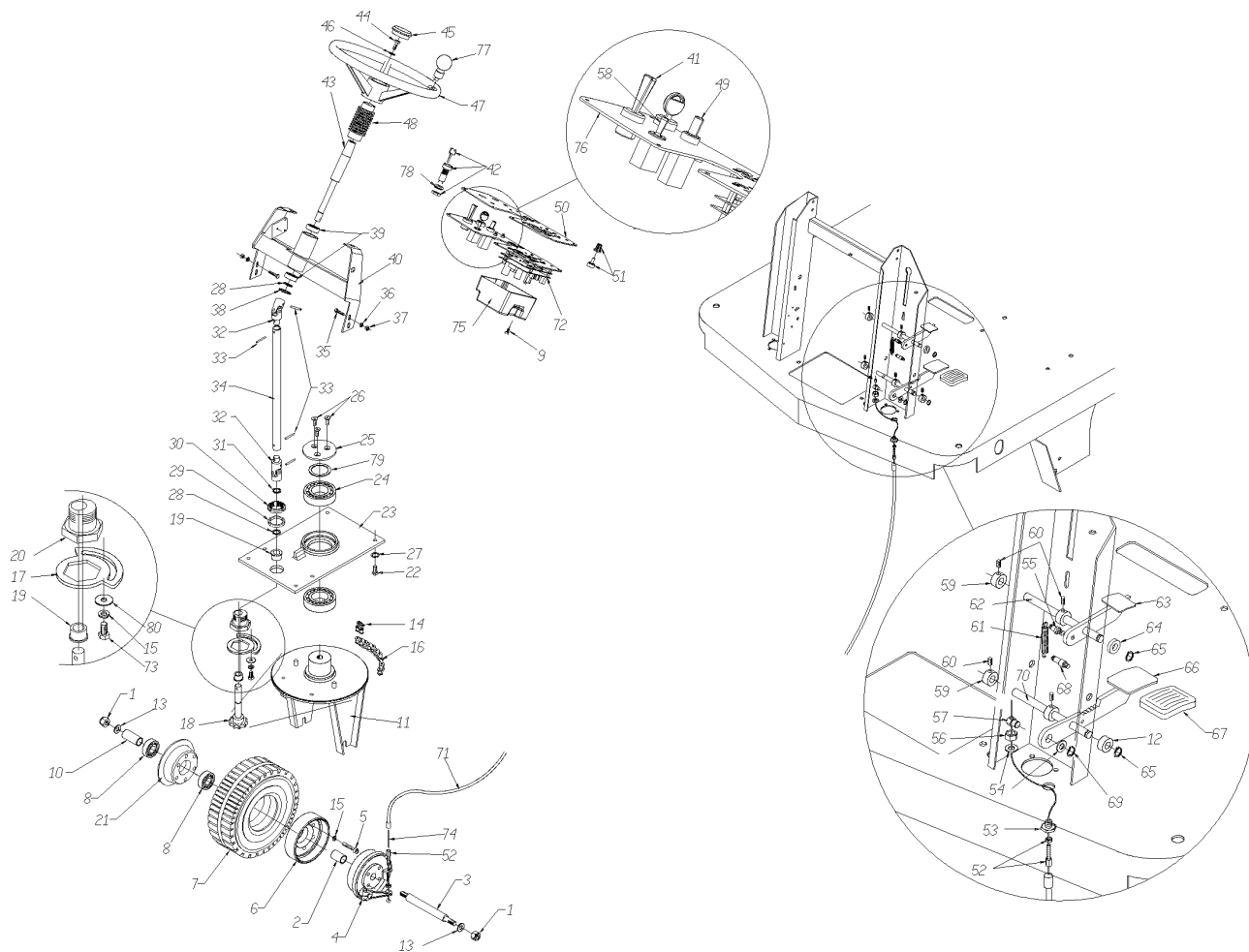
Ref.	K	Part N.	Customer Part N.	Description	Qty	Validity:		Price
						From	To	
0001		VTVT87271		SCREW TBEI M 8X 16 ISO 7380	1,00			--
0002		VTRS00512		WASHER D. 8 X24 ZC.	2,00			--
0003		CUVR00008		BEARING 6003 2RS	4,00			--
0004		VTVT00066		SCREW TCCE UNI 5931 8X25 ZB	10,00			--
0005		LAFN85290		HUB SW 1000 22501004	2,00			--
0006		KTRI75744		REAR WHEELS TK1000	2,00			--
0007		VTRS01080		WASHER D. 8 GRW	10,00			--
0008		LAFN00633		HUB PORTACORONA TK1300	2,00			--
0009		VTVT00061		SCREW TSCE UNI 5933 6X20 ZB	10,00			--
0010		MTCR00002		BRAKE TRAZIONE RUOTE	2,00			--
0011		MTCR00004		CHAIN TRASMISSIONE TK1300/1200	2,00			--
0012		LAFN00317		FLANGE CON PERNO RUOTA POST.	2,00			--
0013		VTVT45340		SCREW TSPEI 8X16 UNI5933	12,00			--
0014		VTVT09913		SCREW TCEI 6X16 UNI5931	4,00			--
0015		MPVR00259		CRANKCASE PROTEZIONE CATENA DX 1300	1,00			--
0016		VTDD00124		NUT M 8 BASSO	4,00			--
0017		VTRS00504		WASHER D. 8 TE ZC. UNI 6592	4,00			--
0018		CUVR00105		SUPPORT	2,00	11/2010		--
0018		LAFN87166		SUPPORT	2,00		11/2010	--
0019		VTVT29810		SCREW TCEI M 8X20 UNI 5931	2,00			--
0020		VTRS00512		WASHER D. 8 X24 ZC.	2,00			--
0021		MTIG00035		PINION DIFFERENZ.Z22 P66.93 1300	2,00			--
0022		VTVT00456		SCREW TE 10X25 UNI5739	2,00			--
0023		VTRS00505		WASHER D.10 TE UNI 6592	4,00			--
0024		VTDD00042		NUT AUT.M10 UNI7474	2,00			--
0025		VTVT00068		SCREW TE UNI 5739 10X60 ZB	2,00			--
0026		VTDD00484		NUT M10 ZIN UNI 5588	2,00			--
0027		LAFN47016		SPACER L.14	2,00			--
0028		VTVT62920		SCREW TE F/ROND. M 6X 16 ZB	4,00			--
0029		LAFN00771		SUPPORT DIFFERENZIALE TK1300 ZINC	1,00			--
0030		VTVT29810		SCREW TCEI M 8X20 UNI 5931	4,00			--
0031		MTCR47037		WARP KNITTING 3/8	2,00			--
0032		MPVR00260		CRANKCASE PROTEZIONE CATENA SX 1300	1,00			--
0033		VTVR28706		KEY 6X 6X20 UNI 6604A	2,00			--
0034		MECI00035		DASHBOARD DI TEMPERATURA F11-95 NC	1,00			--
0035		MEVR33562		CARBON 10X18X18 400W 12V	4,00			--
0035		MOCC00007		MOTOR.GEARBOX TRAZIONE TK1300 DP	1,00			--
0036		LAFN00275		SPACER INTERNO RUOTA POST.TK1300	2,00			--



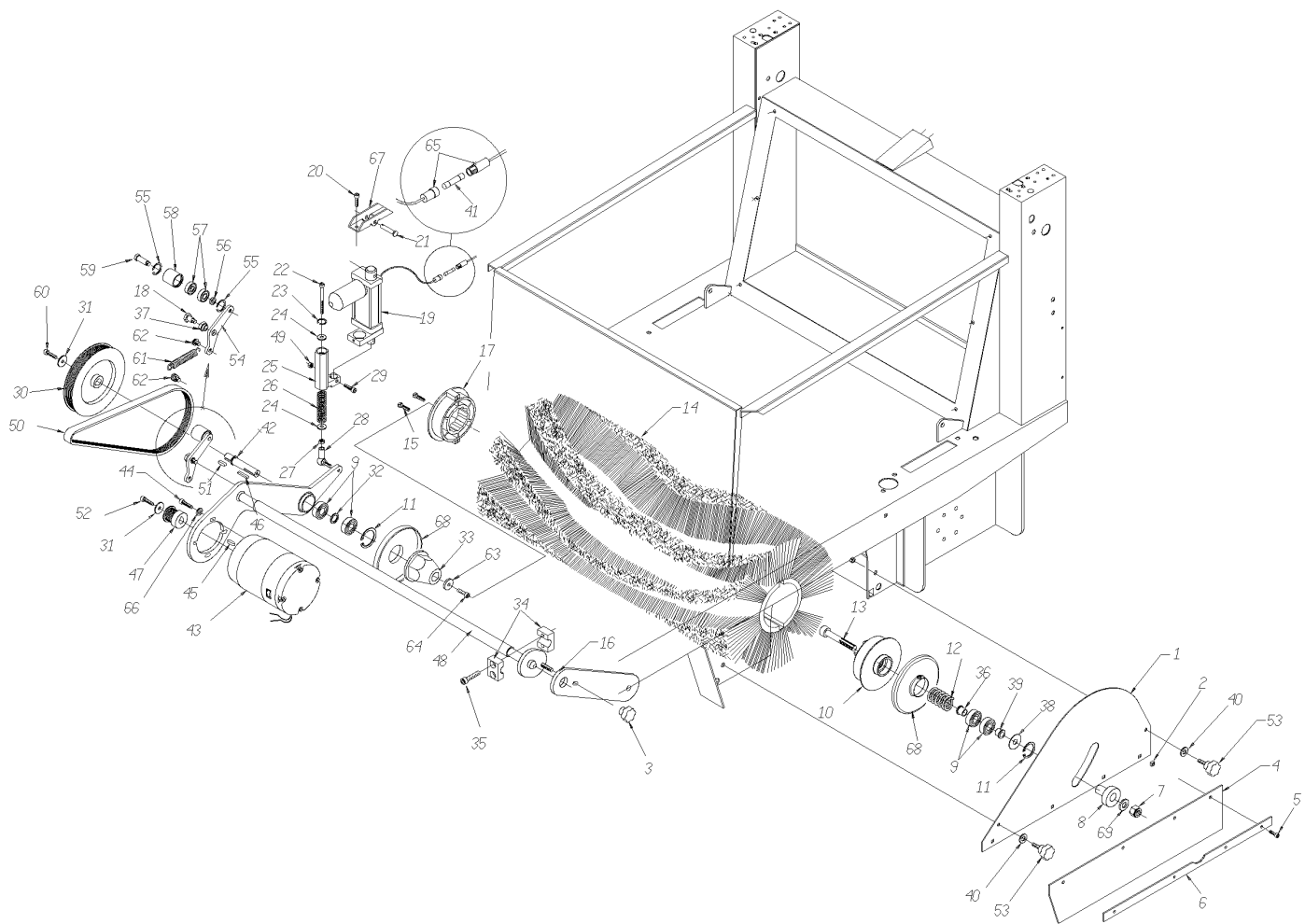
Ref.	K	Part N.	Customer Part N.	Description	Qty	Validity:		Price
						From	To	
0001		VTDD00012		NUT AUTOBLOK DIN 985 M12 ZB	2,00			--
0002		LAFN00265		SPACER RUOTA ANT.LATO FRENO 1000	1,00			--
0003		LAFN87163		PIN	1,00			--
0004		PMVR00231		BRAKE G1202	1,00			--
0005		VTVT29810		SCREW TCEI M 8X20 UNI 5931	5,00			--
0006		LAFN85291		HUB SW 1000 22501002	1,00			--
0007		KTRI75744		REAR WHEELS TK1000	1,00			--
0008		CUVR00005		BEARING 6202 2RS	2,00			--
0009		VTVT00288		SCREW TCTC 4X10	2,00			--
0010		LAFN00264		SPACER RUOTA ANTERIORE TK1000	1,00			--
0011		LAFN00853		SUPPORT RUOTA ANTER.MODIF.ZINC.	1,00			--
0012		LAFN47019		BUSHING L.14	1,00			--
0013		VTRS00506		WASHER D.12 UNI 6592	2,00			--
0014		MTCR47037		WARP KNITTING 3/8	2,00			--
0015		VTRS01080		WASHER D. 8 GRW	5,00			--
0016		MTCR00005		CHAIN STERZO TK1300/1200 3/8"	1,00			--
0017		LAFN47039		FLANGE L.14	1,00			--
0018		KTRI46514		PIN TK 1000 + BUSCH.	1,00			--
0019		LAFN75841		BUSHING TK 1000	2,00			--
0020		LAFN75842		BUSHING TK 1000	1,00			--
0021		LAFN85290		HUB SW 1000 22501004	1,00			--
0022		VTVT00447		SCREW TE 8X25 UNI5739	6,00			--
0023		LAFN00318		FLANGE FISSAG.RUOTA ANT.1300 ZIN	1,00			--
0024		CUVR75816		BEARING 51112	2,00			--
0025		LAFN47004		FLANGE TK1400	1,00			--
0026		VTVT00014		SCREW TE UNI 5739 8X20 CL.10.9	3,00			--
0027		VTRS01080		WASHER D. 8 GRW	6,00			--
0028		LAFN47020		THICKNESS D.15X22X1.0	5,00			--
0029		LAFN75913		SPACER TK	1,00			--
0030		VTVR75747		RING NUT AUTOBLOK M 35 X 1,5 GUK	1,00			--
0031		VTAE17003		CIRCLIP D. 15 UNI 7435	1,00			--
0032		VTVR47021		ARTICULATION D. 5-15	2,00			--
0033		VTVR46987		ELASTIC PLUG 5X25 UNI 6873	2,00			--
0034		ALTR00035		SHAFT STERZO G1200-G1300 ZINC.	1,00			--
0035		VTVT62920		SCREW TE F/ROND. M 6X 16 ZB	4,00			--
0036		VTRS04026		WASHER D. 6X18X2.38	4,00			--
0037		VTDD00491		NUT M 6 TEF	4,00			--
0038		VTAE17003		CIRCLIP D. 15 UNI 7435	1,00			--
0039		CUVR00005		BEARING 6202 2RS	2,00			--



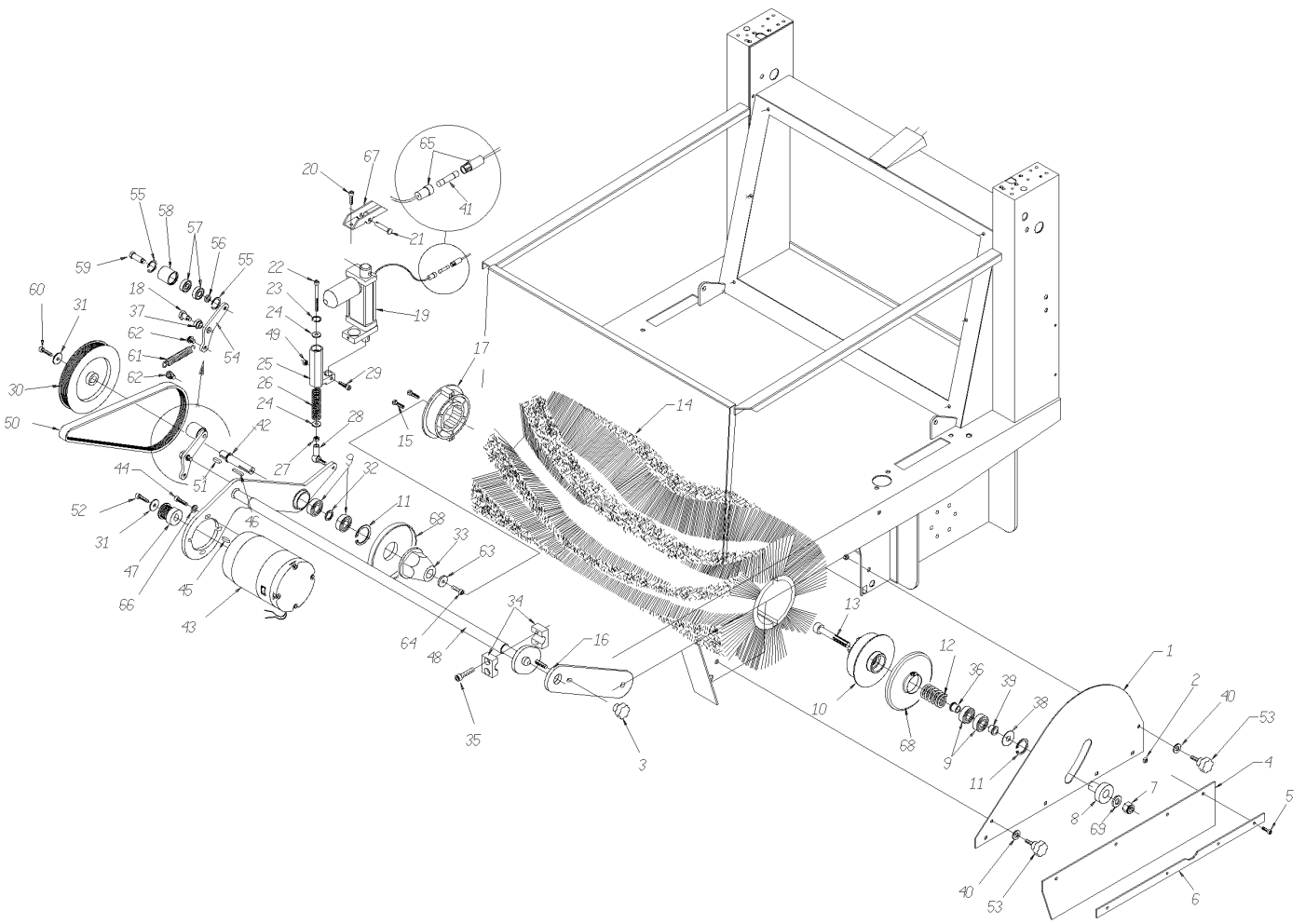
Ref.	K	Part N.	Customer Part N.	Description	Qty	Validity:		Price
						From	To	
0040		LAFN06791		ASSEMBLED SUPPORTO PIANTONE	1,00			--
0041		MECI00337		SWITCH A LEVA	1,00			--
0042		MECI75805		SWITCH TK	1,00			--
0043		LAFN47024		UP STEERING L.14	1,00			--
0044		VTVT00642		SCREW TE 10X30	1,00	05/2006		--
0044		VTVT47025		SCREW TBEI M 10X 16 ISO 7380 ZB	1,00		05/2006	--
0045		MPVR47026		BLACK CAP L.14	1,00			--
0046		VTRS44254		WASHER D.10 X40X2.5 UNI6593	1,00			--
0047		MPVR47027		STEERING WHEEL D. 320 L.14	1,00			--
0048		MPVR47066		PROTECTOR L.14	2,00			--
0049		MECI75945		COMMUTAT.SWITCH3 POS. TK	1,00			--
0050		ETET01403		LABEL PLANCIA	1,00			--
0051		MECE00016		PCB MICRO + DISPLAY	1,00			--
0052		CMCV75723		REGISTER D.7	1,00			--
0053		LAFN75975		PIN TK	1,00			--
0054		VTRS00506		WASHER D.12 UNI 6592	2,00			--
0055		LAFN47029		PIN CH.10 H.16	1,00			--
0056		VTDD01682		NUT M12 ZC UNI 5588	1,00			--
0057		LAFN75973		PIN FLAP TK	1,00			--
0058		MECI76658		COMMUTAT.SWITCH2 P. TK	1,00			--
0059		LAFN47030		BUSHING L.14	3,00			--
0060		VTVT75731		SCREW UNI 5923 6 X5	3,00			--
0061		MLML75960		SPRING D. 8 X1 X32	1,00			--
0062		LAFN47031		PIN L.14	1,00			--
0063		LAFN47032		PEDALE L.14	1,00			--
0064		LAFN47033		BUSHING L.14	1,00			--
0065		VTAE87276		SEEGER EXT. D10 DIN471	2,00			--
0066		LAFN47034		BRAKE PEDAL L.14	1,00			--
0067		MPVR45096		RUBBER V 1201 GR.	1,00			--
0068		LAFN47035		PIN CH.10 H.26	1,00			--
0069		VTAE14016		CIRCLIP D. 12 UNI 7435	1,00			--
0070		LAFN47036		PIN BRK.+FLAP L.14	1,00			--
0071		CMCV75904		BRAKE SHEATH TK 1000E/S	1,00			--
0072		MECE00016		PCB MICRO + DISPLAY	1,00			--
0073		VTVT01110		SCREW TE 8X16 UNI5739	1,00			--
0074		CMCV85320		CABLE D.2,5 L.760 21251003	1,00			--
0075		MPVR00878		FAN COVER MICRO	1,00		04/2006	--
0075		MPVR04902		COVER SCHEDA MICRO	1,00	04/2006		--
0076		LAFN06792		BOARD COMANDI	1,00			--



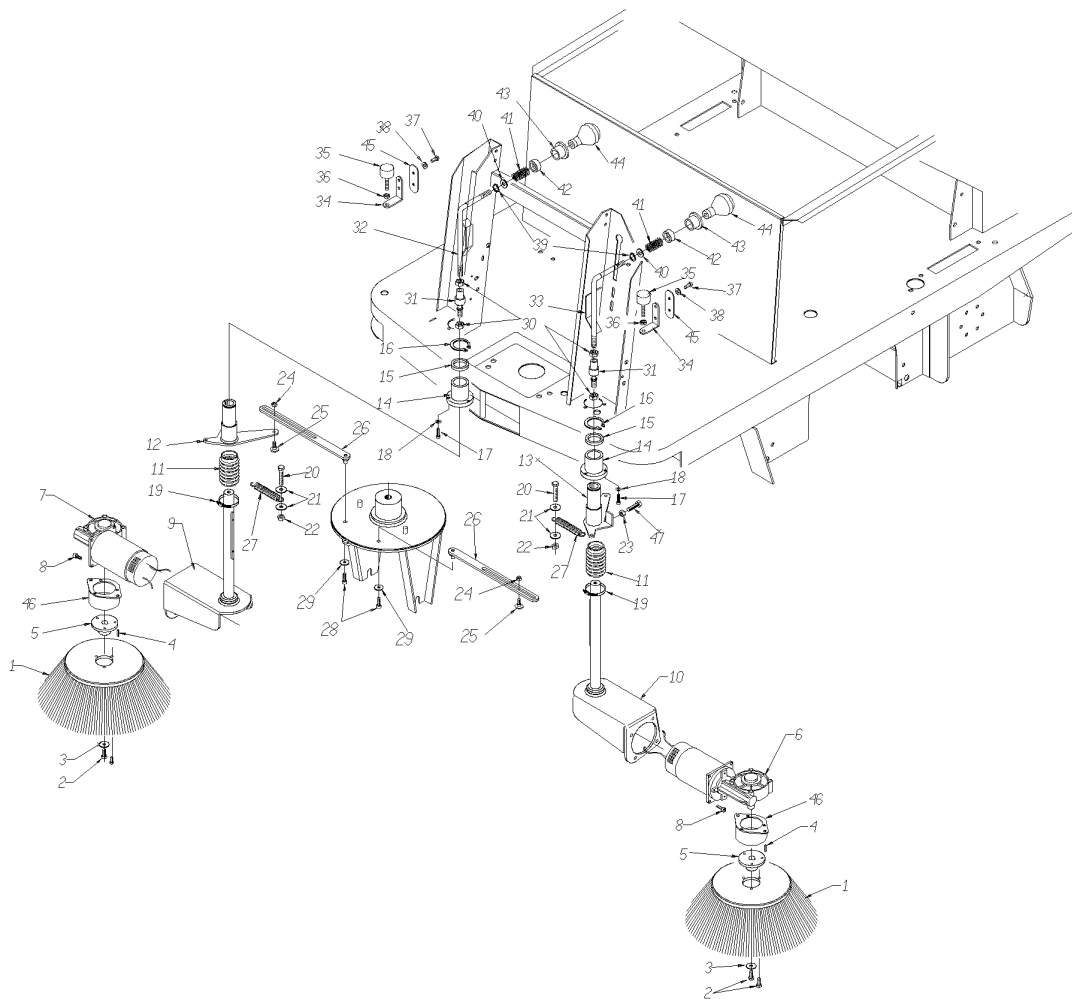
Ref.	K	Part N.	Customer Part N.	Description	Qty	Validity:		Price
						From	To	
0077		MPVR47040		KNOB L.14	1,00			--
0078		VTRS00023		WASHER DENTATA INT.UNI 6798 D.18	1,00			--
0079		LAFN00912		THICKNESS STERZO	1,00			--
0080		VTRS00512		WASHER D. 8 X24 ZC.	1,00			--



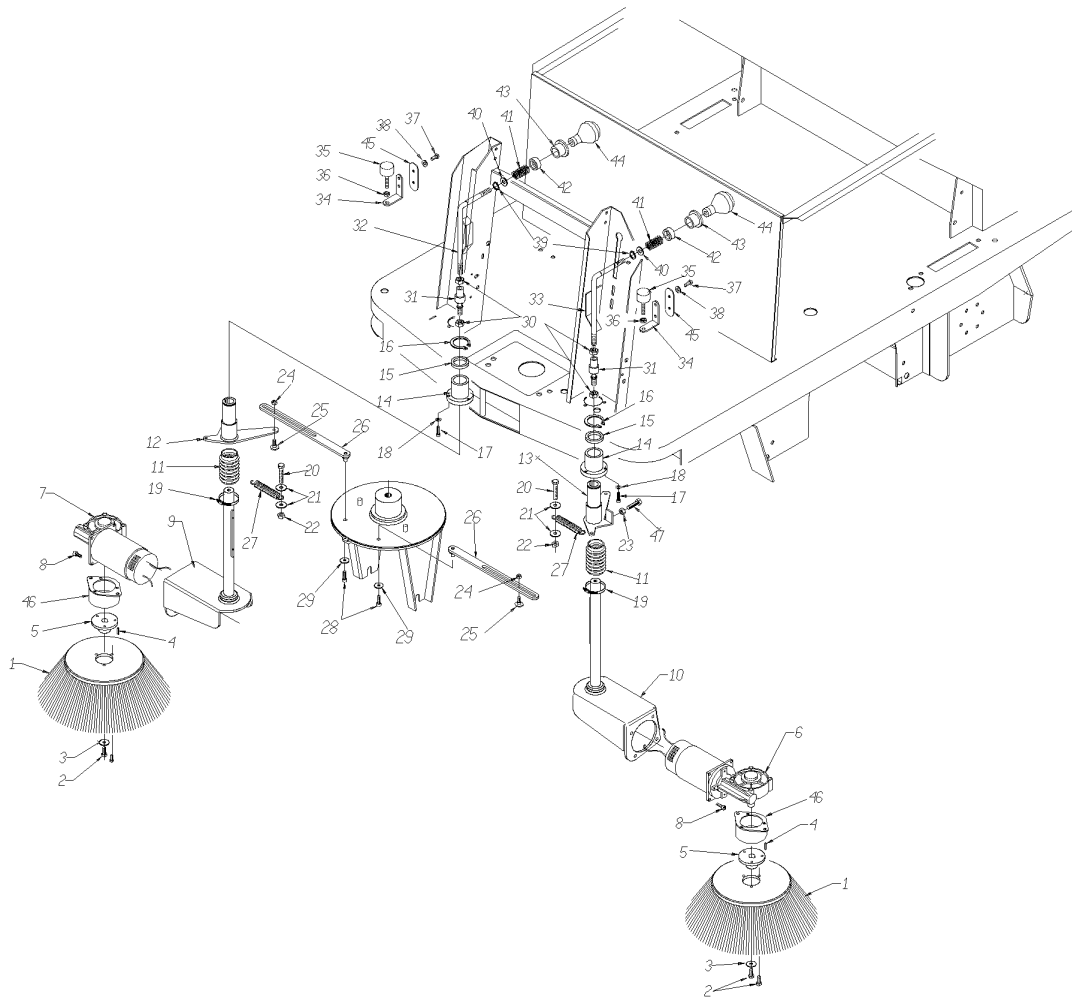
Ref.	K	Part N.	Customer Part N.	Description	Qty	Validity:		Price
						From	To	
0001		LAFN06827		PLANE SPAZZOLA CENTRALE	1,00			--
0002		VTVR47015		INSERT PLS. D.3	4,00			--
0003		VTVR00047		HANDWHEEL D.50 M8	1,00			--
0004		MPVR05017		FLAP -	1,00			--
0005		VTVT00044		SCREW TC AF.X PLAS UNI9707 4X16	4,00			--
0006		LAFN06826		SHEET METAL PA.FLAP	1,00			--
0007		VTDD00012		NUT AUTOBLOK DIN 985 M12 ZB	1,00			--
0008		LAFN06836		PIN CENTRAGGIO PROTEZIONE	1,00			--
0009		CUVR17004		BALL BEARING 6202 -2RS1	4,00			--
0010		MPVR04923		SUPPORT SPAZZOLA CENTRALE	1,00			--
0011		VTAE00076		CIRCLIP D.37 DIN 472	2,00			--
0012		MLML00295		SPRING SPAZZOLA CENTRALE	1,00			--
0013		VTVT01128		SCREW TCCE UNI 5931 12X120 ZB	1,00			--
0014		SPPV00052		CENTRAL BRUSH D.280X686 6R0.5/1.2 1200	1,00			--
0015		VTVT47138		SCREW TSP-TC 3,9X32 ZC. UNI6955	2,00			--
0016		LAFN47050		LATERAL ARM L.14	1,00			--
0017		LAFN45099		DRIVE DISK TK1400	1,00			--
0018		LAFN47051		PIN L.14	1,00			--
0019		MECB00983		WIRING ATTUATORE	1,00			--
0020		VTVT09913		SCREW TCEI 6X16 UNI5931	1,00			--
0021		LAFN00487		PIN FISSAG.ATTUATORE TK1300	1,00			--
0022		VTVT37013		SCREW TE M 6X100 UNI 5737	1,00			--
0023		VTAE00009		SEEGER INTERNO DIN 472 D.20	1,00			--
0024		LAFN00124		BUSHING BATTUTA CILINDRO	2,00			--
0025		MPVR45279		CASE TK1400	1,00			--
0026		MLML45281		SPRING TK1400	1,00			--
0027		VTDD01678		NUT M 5 UNI 5588	1,00			--
0028		VTVR45280		ARTICULATION AS M6	1,00			--
0029		VTVT00008		SCREW TE UNI 5739 6X30 ZB	1,00			--
0030		MTPL47054		PULLEY POLY-V J8 D. 155	1,00			--
0031		VTRS63242		WASHER D. 6 X24 ZC	2,00			--
0032		LAFN06823		SPACER L.14	1,00			--
0033		MPVR04915		HUB TRASCINATORE SPAZZ. CENT.	1,00			--
0034		LAFN47055		HOSE COLLAR C3 D.18	2,00			--
0035		VTVT06236		SCREW TCEI 6X40 UNI5931	4,00			--
0036		LAFN06782		BUSHING PER CUSCINETTO	1,00			--
0037		LAFN47033		BUSHING L.14	1,00			--
0038		VTRS00553		WASHER PARAPOLVERE	1,00			--
0039		LAFN06783		BUSHING PER CUSCINETTO 1	1,00			--



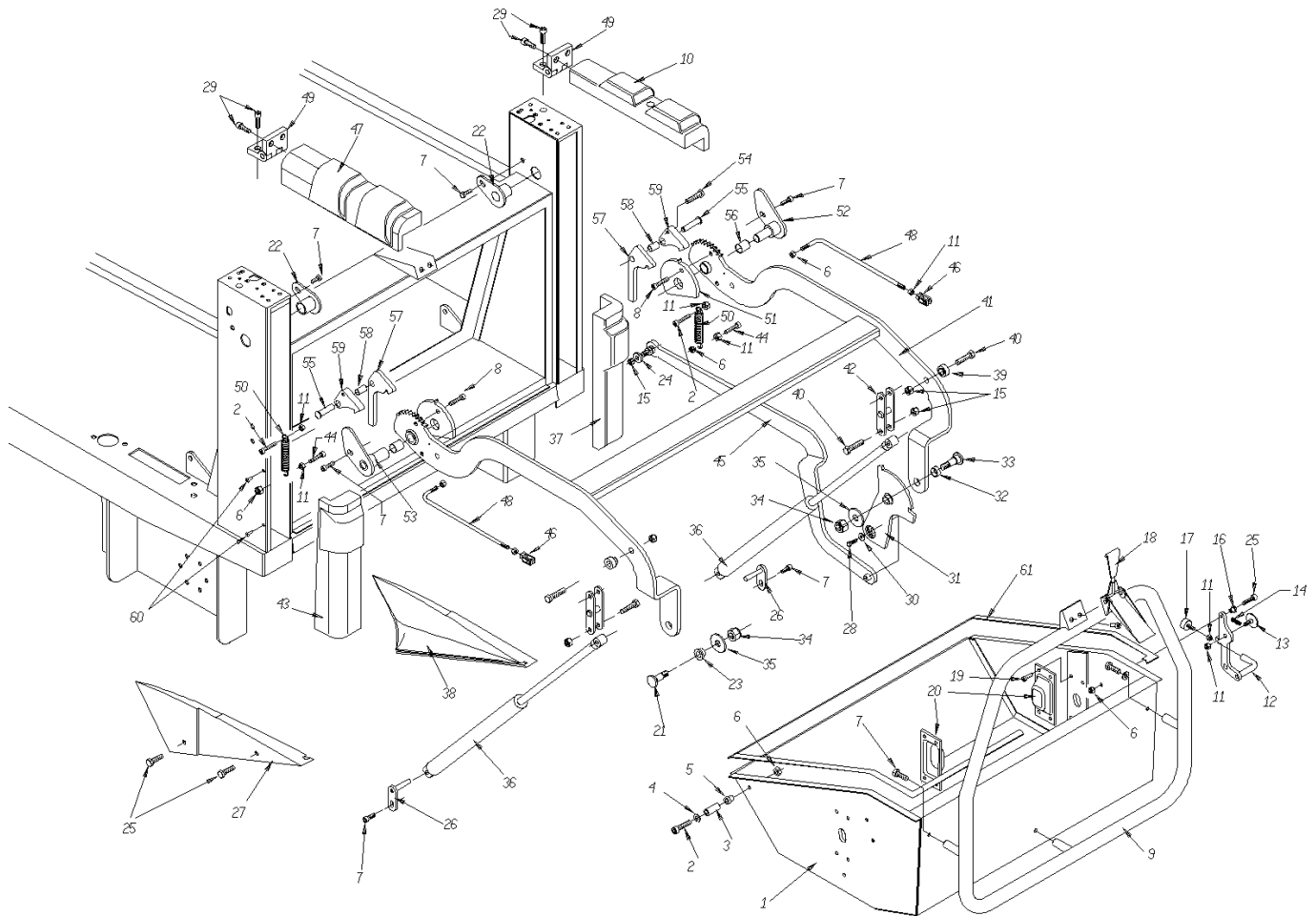
Ref.	K	Part N.	Customer Part N.	Description	Qty	Validity:		Price
						From	To	
0040		VTRS00504		WASHER D. 8 TE ZC. UNI 6592	2,00			--
0041		MEVR00079		FUSE 3.15A 250V 5X20	1,00			--
0042		LAFN06687		PIN S.C. 1404	1,00			--
0043		MOCC00282		MOTOR BRUSH IP44 G1202-1303	1,00			--
0044		VTVT06237		SCREW TCEI 6X20 UNI5931	4,00			--
0045		VTVR13165		KEY 5X5X20	1,00			--
0046		VTVR00006		KEY UNI 6604 4X4X35	1,00			--
0047		MTPL45101		PULLEY POLY-V J8 TK1400	1,00			--
0048		LAFN06830		ARM SPAZZOLA CENTRALE	1,00			--
0049		VTDD19688		NUT M6 UNI 7473	1,00			--
0050		MTCG44767		BELT POLY-V J8 864-340	1,00			--
0051		VTVR13165		KEY 5X5X20	1,00			--
0052		VTVT24209		SCREW TCEI 6X12 UNI5931	1,00			--
0053		RTRT00022		HANDWHEEL D.30 M6X15	2,00			--
0054		LAFN47059		BELT-STRETCHER L.14	1,00			--
0055		VTAE00008		SEEGER INTERNO DIN 472 D.26	2,00			--
0056		LAFN47060		SPACER L.14	1,00			--
0057		CUVR86373		BEARING 6000 2RS	2,00			--
0058		MTPL47061		ROLLER L.14	1,00			--
0059		LAFN47062		PIN L.14	1,00			--
0060		VTRS63242		WASHER D. 6 X24 ZC	1,00			--
0061		MLML75961		SPRING D. 16 L.80	1,00			--
0062		VTVT45395		SCREW TBEI M 8X 10 ISO 7380 ZB	2,00			--
0063		VTRS04026		WASHER D. 6X18X2.38	1,00			--
0064		VTVT24209		SCREW TCEI 6X12 UNI5931	1,00			--
0065		MEVR00080		FUSE-HOLDER PV610 10A	1,00			--
0066		VTRS04026		WASHER D. 6X18X2.38	4,00			--
0067		LAFN00772		PLATE PORTA ATTUATORE 1300/1200	1,00			--
0068		LAFN06837		PROTECTION SPAZZOLA CENTRALE	2,00			--
0069		VTRS00506		WASHER D.12 UNI 6592	1,00			--



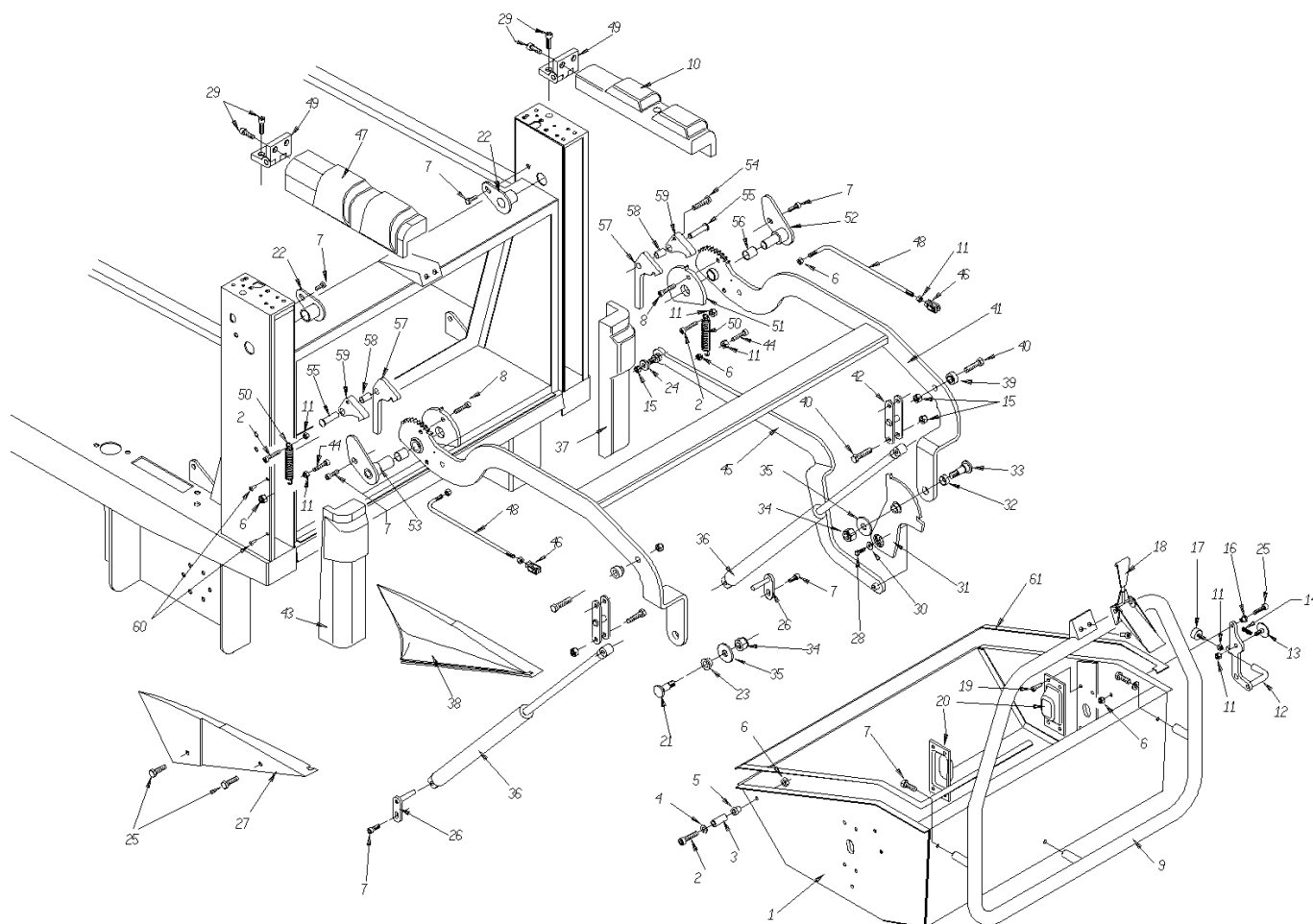
Ref. K	Part N.	Customer Part N.	Description	Qty	Validity:		Price
					From	To	
0001	SPPV00018		BRUSH LATERALE TK1300/TK1200	2,00			--
0002	VTVT62920		SCREW TE F/ROND. M 6X 16 ZB	10,00			--
0003	VTRS63242		WASHER D. 6 X24 ZC	2,00			--
0004	VTVR33667		KEY 5x 5x25 UNI 6604A	2,00			--
0005	LAFN45010		FLANGE L.1400 LT.	2,00			--
0006	MEVR31145		CARBON LAV. BT	2,00			--
0006	RDGR75785		MOTOR.GEARBOX AOMP140 24V 90W SX	1,00			--
0007	MEVR31145		CARBON LAV. BT	2,00			--
0007	RDGR75784		MOTOR.GEARBOX AOMP140 24V TK1000	1,00			--
0008	VTVT09913		SCREW TCEI 6X16 UNI5931	8,00			--
0009	LAFN00784		ARM DX ALZA SPAZ.LAT.COMPL.	1,00			--
0010	LAFN00785		ARM SX ALZA SPAZ.LAT.COMPL.	1,00			--
0011	MPVR47066		PROTECTOR L.14	2,00			--
0012	LAFN00766		GUIDE ALBERO SPAZ.LAT.DX 1300zn	1,00			--
0013	LAFN00767		GUIDE ALBERO SPAZ.LAT.SX ZB	1,00			--
0014	LAFN47070		FLANGE L.14 LT.	2,00			--
0015	LAFN47081		SPACER L.14	2,00			--
0016	VTAE12644		CIRCLIP D. 30 UNI 7435	2,00			--
0017	VTVT09913		SCREW TCEI 6X16 UNI5931	6,00			--
0018	VTRS00503		WASHER D. 6 TE UNI 6798	6,00			--
0019	MEVR00114		CLAMP FISS.GUAINA NYLON 200X2.5	4,00			--
0020	VTVT00448		SCREW TE 8X30 UNI5739	2,00			--
0021	VTRS00512		WASHER D. 8 X24 ZC.	4,00			--
0022	VTDD00124		NUT M 8 BASSO	4,00			--
0023	VTDD00482		NUT M 6 ZIN UNI 5588	2,00			--
0024	VTDD00491		NUT M 6 TEF	2,00			--
0025	LAFN47080		SCREW L.14	2,00			--
0026	ALTR00028		ROD ROTAZ.SPAZ.LAT.COMPL.	2,00			--
0027	MLML45102		SPRING TR	2,00			--
0028	VTVT24209		SCREW TCEI 6X12 UNI5931	2,00			--
0029	VTRS63242		WASHER D. 6 X24 ZC	2,00			--
0030	VTDD00484		NUT M10 ZIN UNI 5588	4,00			--
0031	VTVR47072		ARTICULATION AS M10	2,00			--
0032	LAFN47073		ARM L.14 DX	1,00			--
0033	LAFN47078		ARM L.14 SX	1,00			--
0034	MPVR86579		SUPPORT TK	2,00			--
0035	ABGO00008		VIBRATION DAMP.PM 20X20 M6X20	2,00			--
0036	VTDD00482		NUT M 6 ZIN UNI 5588	2,00			--
0037	VTVT75726		SCREW TBEI M 6X 16 ISO 7380 ZB	4,00			--



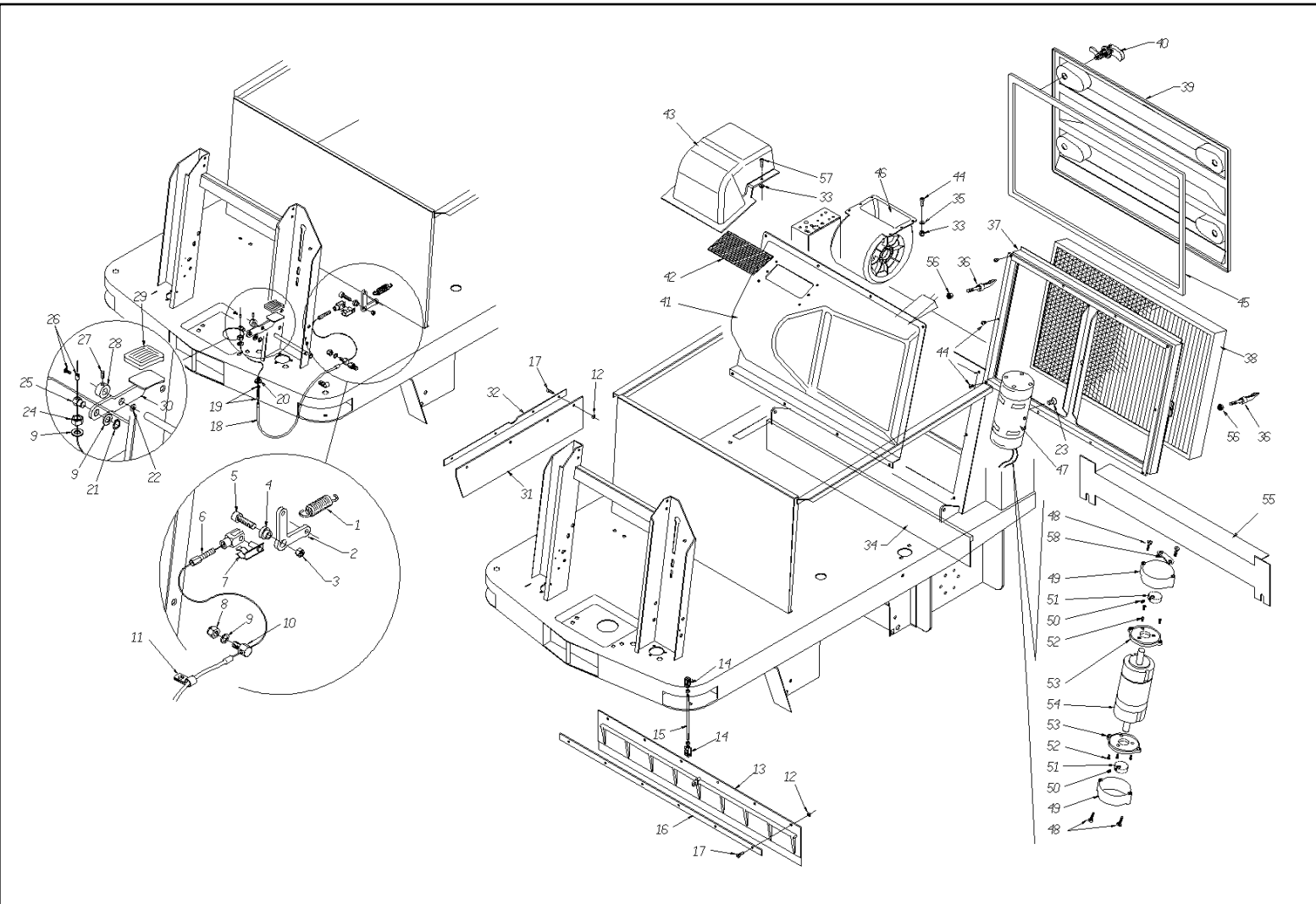
Ref. K	Part N.	Customer Part N.	Description	Qty	Validity:		Price
					From	To	
0038	VTRS04026		WASHER D. 6X18X2.38	4,00			--
0039	VTAE87276		SEGER EXT. D10 DIN471	2,00			--
0040	VTRS00505		WASHER D.10 TE UNI 6592	2,00			--
0041	MLML47075		SPRING D.15X 24 X1.5	2,00			--
0042	MPVR47074		BUSHING L.14 INT.	2,00			--
0043	MPVR47076		BUSHING L.14 EXT.	2,00			--
0044	MPVR47077		KNOB L.14	2,00			--
0045	LAFN06795		BRACKET LEVE SPAZZOLE LATERALI	2,00			--
0046	LAFN06400		PROTECTION SIDE BRUSH	2,00			--
0047	VTVT00008		SCREW TE UNI 5739 6X30 ZB	2,00			--



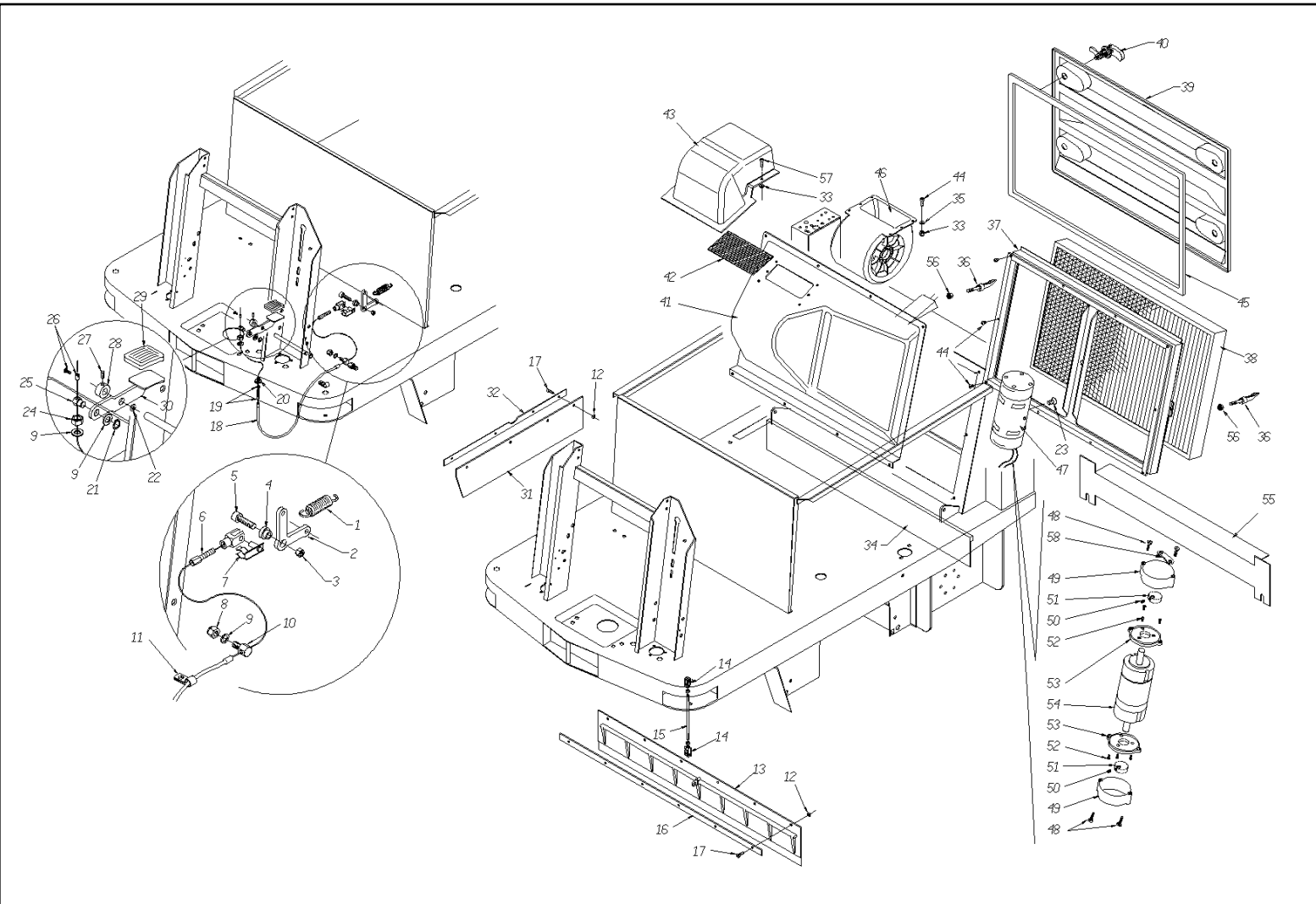
Ref.	K	Part N.	Customer Part N.	Description	Qty	Validity:		Price
						From	To	
0001		LAFN00245		DRAWER TK1200 COMPL.RAL7024 SOLL	1,00			--
0002		VTVT63029		SCREW TCEI M 6X 35 UNI 5931 ZB	3,00			--
0003		LAFN00141		BUSHING RULLINO CASSETTO TK1200	1,00			--
0004		VTRS00503		WASHER D. 6 TE UNI 6798	1,00			--
0005		LAFN00635		ROLLER CASSETTO TK1200	1,00			--
0006		VTDD19688		NUT M6 UNI 7473	6,00			--
0007		VTVT62920		SCREW TE F/ROND. M 6X 16 ZB	7,00			--
0008		VTVT01118		SCREW TCEI M 8X16 ZC. UNI 5931	2,00			--
0009		LAFN00410		HANDLE CASSETTO COMPLETO RAL7024	1,00			--
0010		MPVR00294		BUMPER POSTERIORE SUP.DX TK1200	1,00			--
0011		VTDD00482		NUT M 6 ZIN UNI 5588	8,00			--
0012		LAFN00354		LEVER SGANCIO CASSETTO	1,00			--
0013		LAFN00504		PIN MOLLA LEVA SGANCIO TK1200	1,00			--
0014		MLML00021		SPRING CHIAVISTELLO ROT.CASSETTO	1,00			--
0015		VTDD00124		NUT M 8 BASSO	5,00			--
0016		LAFN00506		PIN LEVA SGANCIO	1,00			--
0017		ABGO00008		VIBRATION DAMP.PM 20X20 M6X20	1,00			--
0018		CHVR76642		CLOSURE SW1000	1,00			--
0019		VTVT75719		SCREW TE F/ROND. M 6 X 10	8,00			--
0020		MPVR00284		COWLING COPRI PERNO	2,00			--
0021		LAFN00502		PIN CASSETTO	1,00			--
0022		LAFN00515		PIN BRACCIO	2,00			--
0023		LAFN00023		WASHER SPALLAMENTO CASSET.TK1200	1,00			--
0024		VTRS00512		WASHER D. 8 X24 ZC.	1,00			--
0025		VTVT24209		SCREW TCEI 6X12 UNI5931	5,00			--
0026		LAFN00508		PIN MOLLA GAS COMPLETO	2,00			--
0027		MPVR00286		CONVEYOR CASSETTO SX TK1200	1,00			--
0028		VTVT17639		SCREW TCEI M 5X10 UNI 5931	1,00			--
0029		VTVT09913		SCREW TCEI 6X16 UNI5931	1,00			--
0030		VTRS00291		WASHER D. 5 X20 ZC UNI 6593	1,00			--
0031		LAFN00792		BRACKET PARELLOGRAMMA COMPLETO	1,00			--
0032		LAFN00143		BUSHING BRACCIO	2,00			--
0033		LAFN00502		PIN CASSETTO	1,00			--
0034		VTDD00042		NUT AUT.M10 UNI7474	2,00			--
0035		VTRS00514		WASHER D.10X30X11.4	2,00			--
0036		MLML00004		SPRING A GAS X CASSETTO TK 1200	2,00			--
0037		MPVR00292		BUMPER POSTERIORE INF.DX TK1200	1,00			--
0038		MPVR00285		CONVEYOR CASSETTO DX TK1200	1,00			--
0039		LAFN00503		PIN BIELLA	2,00			--



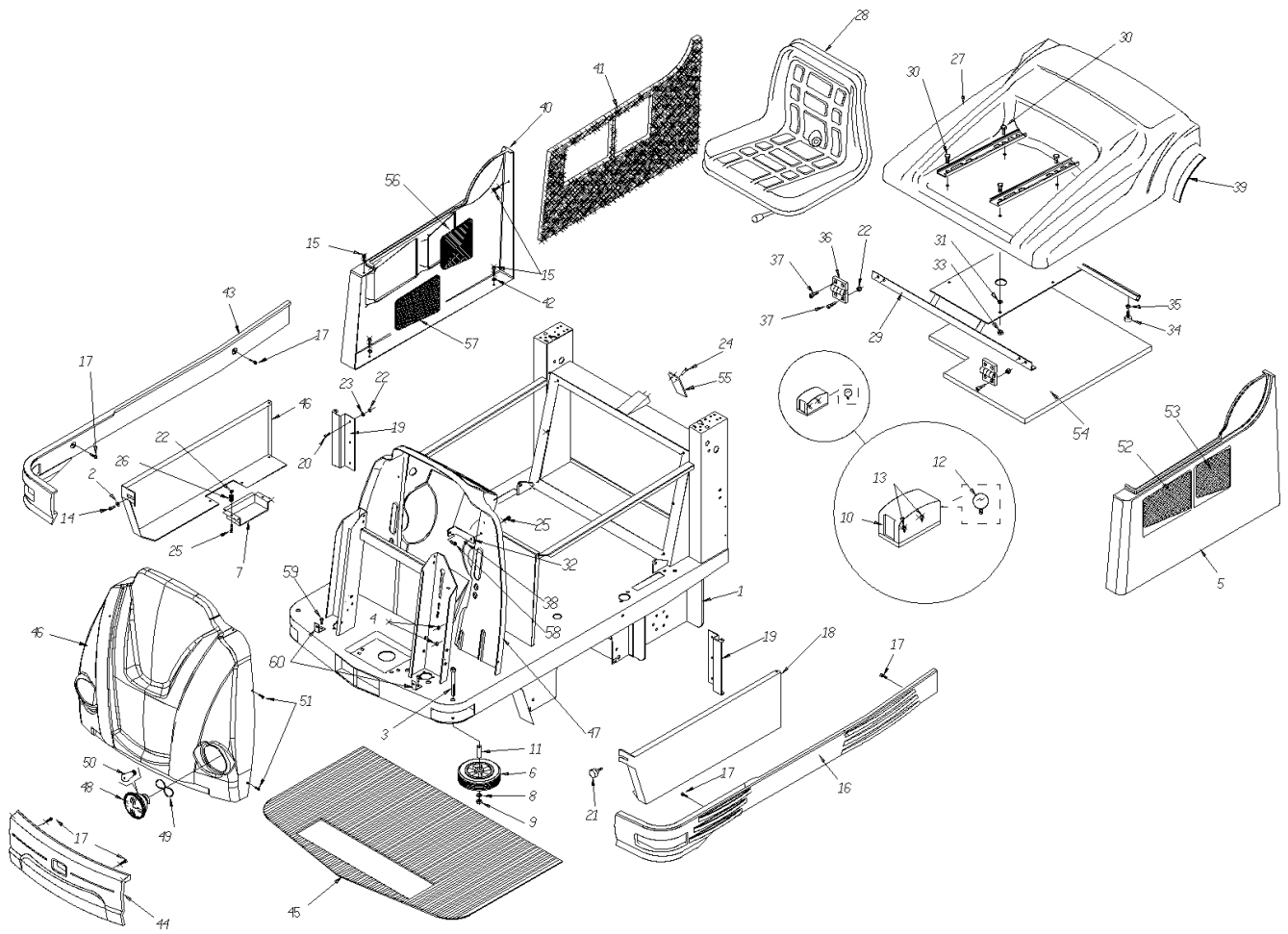
Ref.	K	Part N.	Customer Part N.	Description	Qty	Validity:		Price
						From	To	
0040		VTVT00017		SCREW TE UNI 5739 8X35 ZB	4,00			--
0041		LAFN00789		ARM SOLLEVAM.TK1200 COMPL ZIN	1,00			--
0042		LAFN00355		CONNECTING ROD COMPLETA	2,00			--
0043		MPVR00293		BUMPER POSTERIORE INF.SX TK1200	1,00			--
0044		VTVT01532		SCREW TE 6X25 UNI5739	2,00			--
0045		LAFN00788		ARM PRALELOGRAMMA COMPL.1200	1,00			--
0046		CMCV75717		CLIP UNI 1676 M6	2,00			--
0046		CMCV76639		FORK M 6 UNI 1676	2,00			--
0047		MPVR00295		BUMPER POSTERIORE SUP.SX TK1200	1,00			--
0048		LAFN00797		CONTOL ROD PARAURTI POSTERIORE COMPL	2,00			--
0049		CEVR85332		HINGE MEB F D.6 TK	2,00			--
0050		MLML00022		SPRING GANCIO ARPIONE	2,00			--
0051		LAFN00323		FLANGE SGANCIO SOLLEVAMENTO 1200	2,00			--
0052		LAFN00511		PIN ESTERNO BRACCIO DESTRO	1,00			--
0053		LAFN00512		PIN ESTERNO BRACCIO SINISTRO	1,00			--
0054		VTVT12255		SCREW TCEI 6X25 UNI5931	2,00			--
0055		LAFN00505		PIN GANCIO ARPIONE TK 1200	2,00			--
0056		MPVR47125		BUSHING D. 16X18X20 GLYC.	2,00			--
0057		LAFN00790		HOOK ARPIONE BRACCIO	2,00			--
0058		MPVR00011		BUSHING GLYCODUR GLY.PG 10-12-20F	2,00			--
0059		LAFN00791		HOOK ARPIONE	2,00			--
0060		VTVT06237		SCREW TCEI 6X20 UNI5931	4,00			--
0061		GUGO00036		GASKET CASSETTO POSTER.TK1200	1,00			--



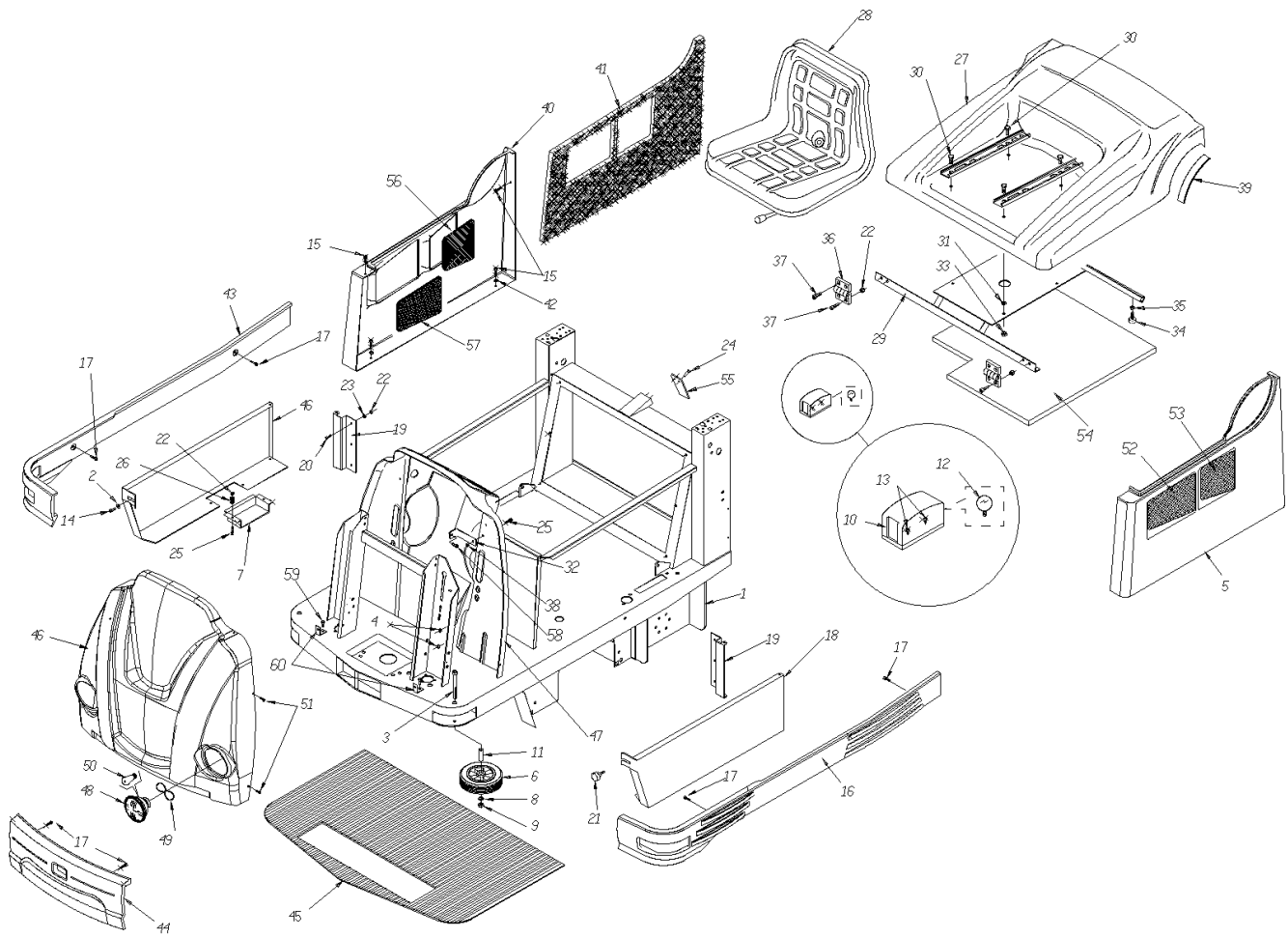
Ref.	K	Part N.	Customer Part N.	Description	Qty	Validity: From To	Price
0001		MLML45109		SPRING TR D. 12X1.7X79.5	1,00		--
0002		LAFN47128		LEVER L.14	1,00		--
0003		VTDD00124		NUT M 8 BASSO	1,00		--
0004		LAFN47129		BUSHING L.14 A.FLAP	1,00		--
0005		VTVT00448		SCREW TE 8X30 UNI5739	1,00		--
0006		CMCV87172		CABLE ALZA FLAP 2125404	1,00		--
0007		CMCV75717		CLIP UNI 1676 M6	1,00		--
0008		VTDD00012		NUT AUTOBLOK DIN 985 M12 ZB	1,00		--
0009		VTRS00506		WASHER D.12 UNI 6592	4,00		--
0010		LAFN75976		SPRING GUIDE TK 1000	1,00		--
0011		FSVR00005		CLAMP TIPO "ECO"FORO MM8 D.1 W0	1,00		--
0012		VTVR47015		INSERT PLS. D.3	10,00		--
0013		MPVR00754		FLAP ANTERIORE TK1200 COMPL.	1,00		--
0014		CMCV76639		FORK M 6 UNI 1676	2,00		--
0015		LAFN00517		PIN TIRANTE ALZAFLAP ZINC.	1,00		--
0016		LAFN00324		CLAMP FLAP ANTER.TK1200 ZINC.	1,00		--
0017		VTVT00044		SCREW TC AF.X PLAS UNI9707 4X16	9,00		--
0018		CMCV75904		BRAKE SHEATH TK 1000E/S	1,00		--
0019		CMCV75723		REGISTER D.7	1,00		--
0020		LAFN75975		PIN TK	1,00		--
0021		VTAE14016		CIRCLIP D. 12 UNI 7435	2,00		--
0022		VTRS00505		WASHER D.10 TE UNI 6592	1,00		--
0023		VTVT47143		SCREW TSPEI M 10X 16 ZC UNI5933	1,00		--
0024		VTDD01682		NUT M12 ZC UNI 5588	1,00		--
0025		LAFN75973		PIN FLAP TK	1,00		--
0026		VTVR00028		CLAMP PER CASSETTO G1300	1,00		--
0027		VTVT75731		SCREW UNI 5923 6 X5	1,00		--
0028		LAFN47030		BUSHING L.14	1,00		--
0029		MPVR45096		RUBBER V 1201 GR.	1,00		--
0030		LAFN47133		PEDALE L.14 FLAP	1,00		--
0031		MPVR05017		FLAP -	1,00		--
0032		LAFN06826		SHEET METAL PA.FLAP	1,00		--
0033		VTDD00491		NUT M 6 TEF	8,00		--
0034		MPVR00755		FLAP POSTERIORE FISSO TK1200	1,00		--
0035		VTRS00503		WASHER D. 6 TE UNI 6798	6,00		--
0036		PMVR00290		HANDLE BLOCCAG.FILTRO TK1200	2,00		--
0037		PMVR00289		FRAME PORTA FILTRO	1,00		--
0038		FTDP76067		FILTER SW1000	1,00		--
0039		MPVR45784		COVER CHIUSURA FILTRO	1,00		--



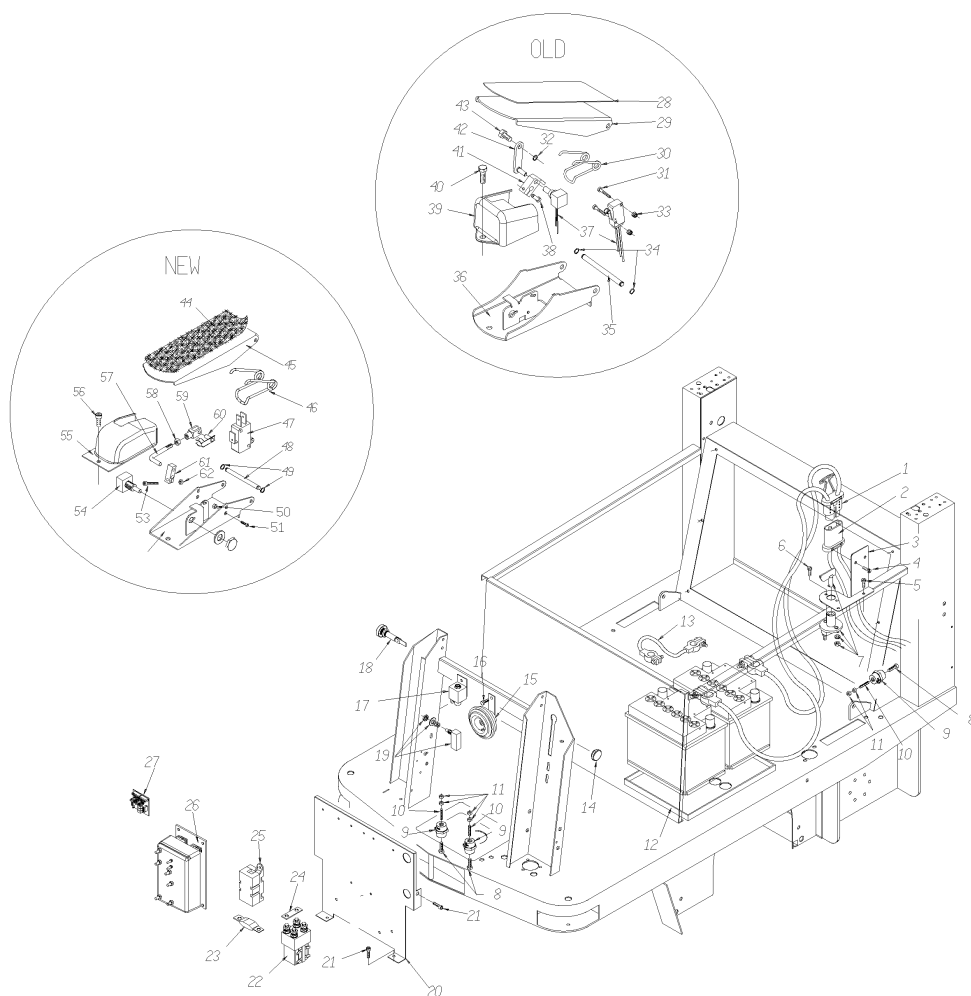
Ref. K	Part N.	Customer Part N.	Description	Qty	Validity:		Price
					From	To	
0040	CHVR26517		DRAWER CLOSURE LOLY 50	4,00			--
0042	LAFN00908		BRACKET VENTOLA	1,00			--
0043	PMVR00500		TUNNEL ESPULSIONE ARIA TK1200	1,00			--
0044	VTVT75726		SCREW TBEI M 6X 16 ISO 7380 ZB	18,00			--
0045	GUVR46899		GASKET COPERCHIO	1,00			--
0046	MOCC00008		MOTOR SUCTION GENIUS SWEEPER	1,00			--
0047	MOCC45112		MOTOR 24V CC ECC.	1,00			--
0048	VTVT47138		SCREW TSP-TC 3,9X32 ZC. UNI6955	8,00			--
0049	LAFN47139		MOTOR COVER L.14 FILT.	4,00			--
0050	VTVT75731		SCREW UNI 5923 6 X5	4,00			--
0051	LAFN47140		BUSHING L.14	4,00			--
0052	VTVT76616		SCREW M 4x18 STEAM GUN	12,00			--
0053	MFVR47141		FLANGE MOTOR L.14	4,00			--
0054	MOCC00004		MOTOR D.63 24V G3800 W35	1,00			--
0055	LAFN00855		BRACKET BLOCCA FILTRO G1200 VERN.	1,00			--
0056	VTDD13261		NUT M 8X1 UNI 5589	4,00			--
0057	VTVT62920		SCREW TE F/ROND. M 6X 16 ZB	2,00			--
0058	MPVR00765		RUBBER FISSAGGIO FILO SCUOTIFIL.	2,00			--



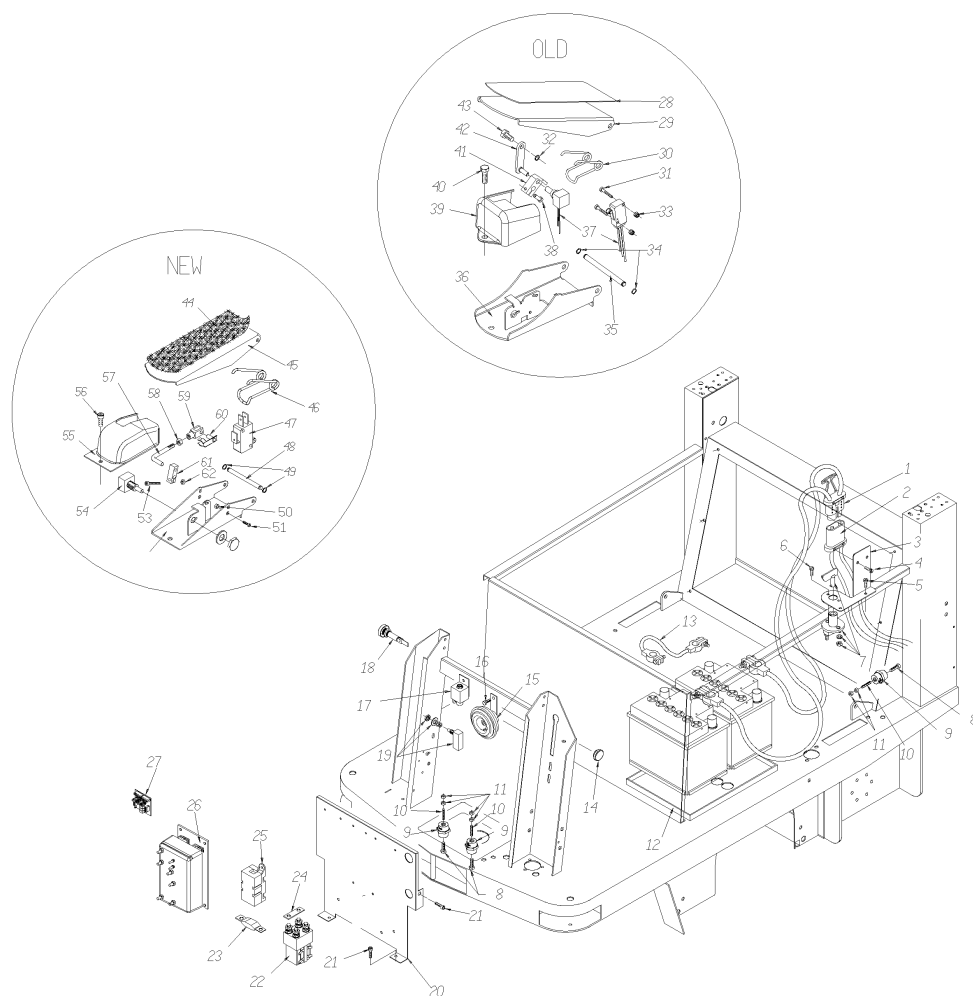
Ref.	K	Part N.	Customer Part N.	Description	Qty	Validity:		Price
						From	To	
0001		LAFN01024		FRAME TK1200 GRIGIO RAL7024	1,00			--
0002		VTRS04026		WASHER D. 6X18X2.38	1,00			--
0003		VTVT28307		SCREW TCCE UNI 5931 10X70 ZN	2,00			--
0004		VTDD00013		NUT INGABBIATO UNI 3740 M6	4,00			--
0005		MPVR04673		BODY SIDE SX	1,00			--
0006		RTRT31046		WHEEL D.150 E 350	2,00			--
0007		LAFN00776		PROTECTION CING.PORT.LAT DX 1300/200	1,00			--
0008		VTRS00505		WASHER D.10 TE UNI 6592	2,00			--
0009		VTDD00042		NUT AUT.M10 UNI7474	2,00			--
0010		MELF85067		LANTERN FLASH 21W 24V OR.	2,00			--
0011		LAFN47011		BUSHING L.14	2,00			--
0012		MELF33431		LAMP 24 V 21 W	2,00			--
0013		VTVT19236		SCREW TCEI 5X20 UNI 5931	4,00			--
0014		VTVT62920		SCREW TE F/ROND. M 6X 16 ZB	1,00			--
0015		VTVT06237		SCREW TCEI 6X20 UNI5931	8,00			--
0016		MPVR00268		BUMPER LATERALE SX G1200-1300	1,00			--
0017		VTVT01118		SCREW TCEI M 8X16 ZC. UNI 5931	6,00			--
0018		LAFN00782		PLANE SX	1,00			--
0019		CEVR00001		HINGE X PORTELLI TK1300 ZINCATA	2,00			--
0020		VTVT00527		SCREW TE FR 6X10 ZB ZIG.	2,00			--
0021		RTRT00022		HANDWHEEL D.30 M6X15	1,00			--
0022		VTDD00491		NUT M 6 TEF	2,00			--
0023		VTRS00503		WASHER D. 6 TE UNI 6798	2,00			--
0024		VTVT75726		SCREW TBEI M 6X 16 ISO 7380 ZB	2,00			--
0025		VTVT75726		SCREW TBEI M 6X 16 ISO 7380 ZB	2,00			--
0026		MLML46644		SPRING D. 6	2,00			--
0027		MPVR00287		HOOD SUPERIORE TK1200 GRIGIO	1,00			--
0028		SESD00003		SEAT TK1300 CON MICRO.E GUIDE	1,00		04/2014	--
0028		SESD45981		SEAT SC 73 L.14	1,00	04/2014		--
0029		LAFN01023		FRAME PORTASEDILE TK1200 COMPL.	1,00			--
0030		VTVT00447		SCREW TE 8X25 UNI5739	4,00			--
0031		VTRS00504		WASHER D. 8 TE ZC. UNI 6592	4,00			--
0032		LAFN06794		BRACKET FISSA FRONTALE G1404	2,00			--
0033		VTDD00124		NUT M 8 BASSO	4,00			--
0034		ABGO00008		VIBRATION DAMP.PM 20X20 M6X20	2,00			--
0035		VTDD00482		NUT M 6 ZIN UNI 5588	2,00			--
0036		CEVR85332		HINGE MEB F D.6 TK	2,00			--
0037		VTVT12255		SCREW TCEI 6X25 UNI5931	4,00			--
0038		VTDD00491		NUT M 6 TEF	2,00			--



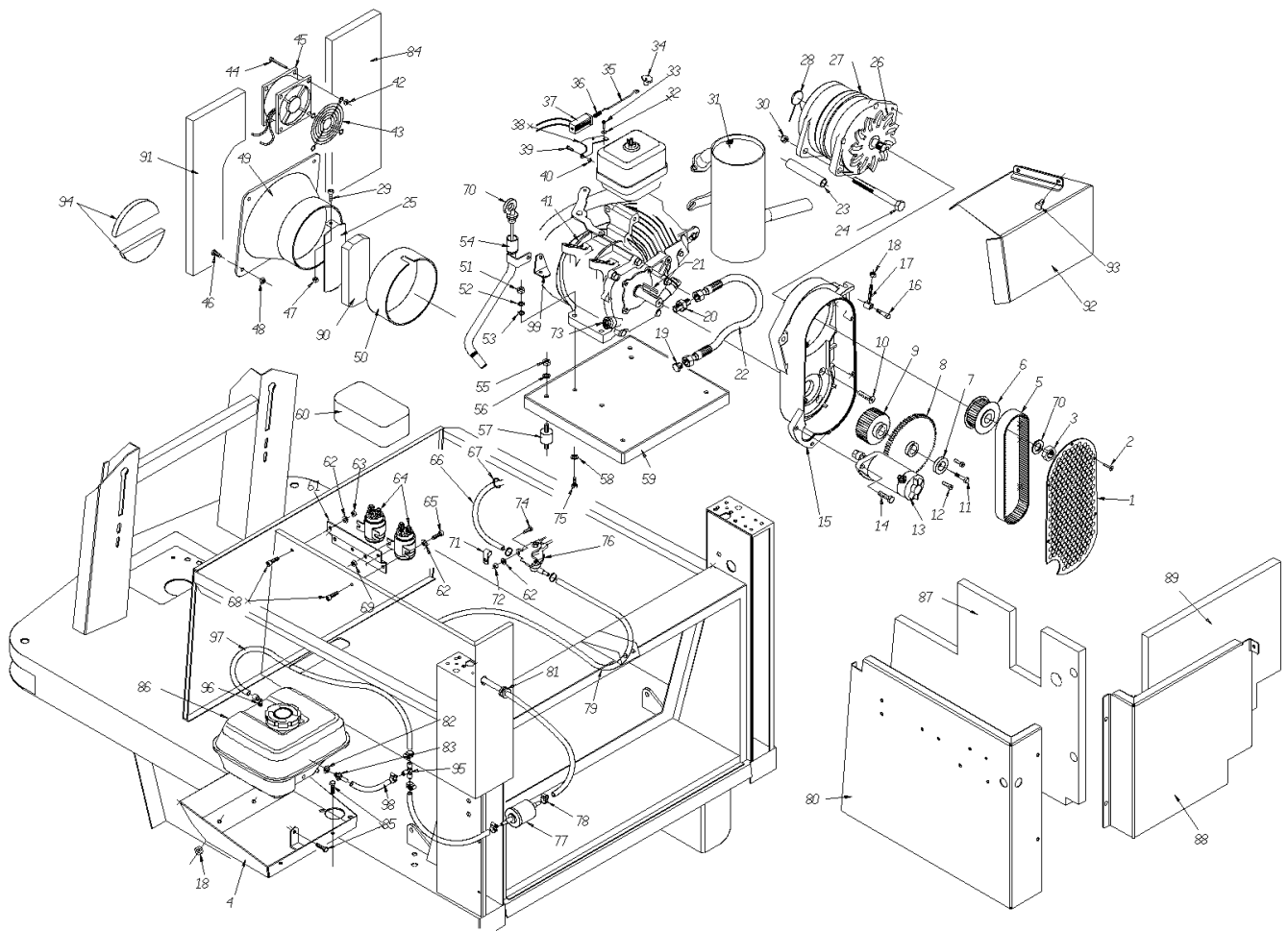
Ref.	K	Part N.	Customer Part N.	Description	Qty	Validity:		Price
						From	To	
0040		MPVR04675		BODY SIDE DX	1,00			--
0041		ITSO00054		PANEL ISOLATORE PORTASEDILE	1,00			--
0042		VTRS04026		WASHER D. 6X18X2.38	8,00			--
0043		MPVR00267		BUMPER LATERALE DX G1200-1300	1,00			--
0044		MPVR00271		BUMPER ANTERIORE G1200-1300	1,00			--
0045		MPVR05058		PLANE MILLERIGHE CON BIADESIVO	1,00			--
0046		MPVR04890		HOOD ANTERIORE G1404	1,00			--
0047		MPVR04989		HOOD POSTERIORE G1404	1,00			--
0048		MELF00052		LANTERN -	2,00	06/2011		--
0048		MEVR00135		LANTERN G1400	2,00		06/2011	--
0049		GUGO45326		O-RING D. 112 X 6 -NBR 70SH	2,00			--
0050		MELF00050		LAMP -	2,00	06/2011		--
0050		MELF87169		LAMP 12V 35W	2,00		06/2011	--
0051		VTVT45339		SCREW TBEI M 5X 16 ISO 7380 ZB	12,00			--
0052		LAFN06589		BRACKET FIANCATA	1,00			--
0053		LAFN06590		BRACKET FIANCATA	1,00			--
0054		ITSO00052		PANEL ISOLATORE PORTASEDILE	1,00			--
0055		CHVR76643		SUPP.HOLDER	1,00			--
0056		LAFN06588		BRACKET FIANCATA	1,00			--
0057		LAFN06587		BRACKET FIANCATA	1,00			--
0058		VTVT62920		SCREW TE F/ROND. M 6X 16 ZB	2,00			--
0059		VTVT09916		SCREW TBEI M 6X 20 ISO 7380 ZB	2,00			--
0060		LAFN06793		BRACKET FISSA FRONTALE	2,00			--



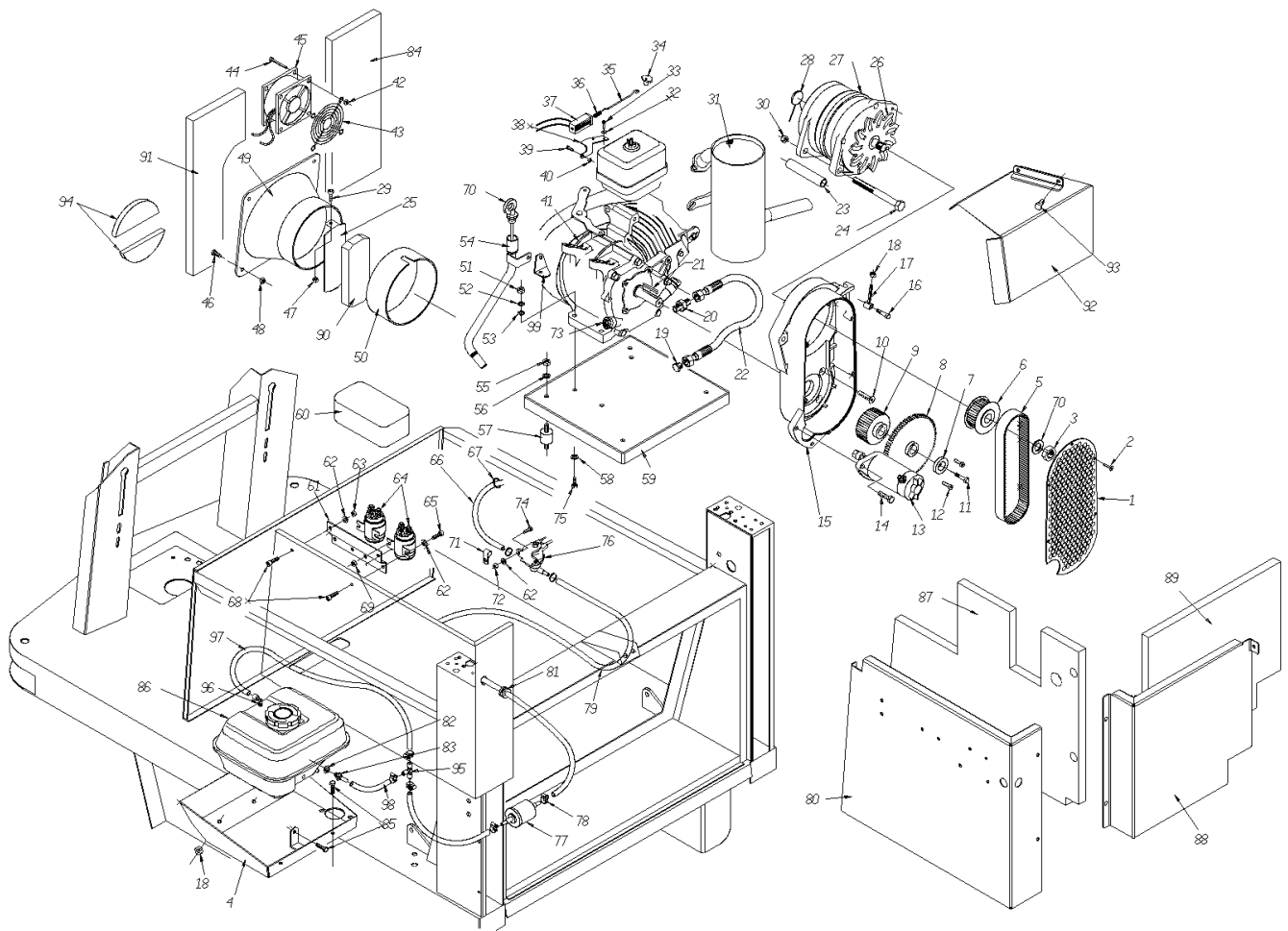
Ref.	K	Part N.	Customer Part N.	Description	Qty	Validity:		Price
						From	To	
0001		MECB44779		WIRING INTERNO BATTERIE	1,00			--
0002		MEVR44180		PLUG FT 80	1,00			--
0003		LAFN87621		PLATE PORTA PRESA TK1300/1200	1,00			--
0004		VTVT00128		SCREW TC M4X30	2,00			--
0005		VTVT13515		SCREW TSPEI M6x16 UNI5933 10.9	2,00			--
0006		VTVT09913		SCREW TCEI 6X16 UNI5931	2,00			--
0007		AZMC75803		DIASASS.SPANNERSW 1000	1,00			--
0008		VTVT00527		SCREW TE FR 6X10 ZB ZIG.	3,00			--
0009		MEVR47082		INSULATOR M6 35-CH32	3,00			--
0010		VTVT47088		SCREW EI-ST 6X30 UNI5923 ZC	3,00			--
0011		VTDD00482		NUT M 6 ZIN UNI 5588	6,00			--
0012		MPVR00296		CONTAINER BATTERIA TK1200	1,00			--
0013		MEVR34820		WIRING B 450 BT	1,00			--
0014		MPVR00048		CAP DIAM.22 NERO P9ARHPR	1,00			--
0015		MEVR47083		KLAXON L.14 24V	1,00			--
0016		VTVT85116		SCREW TE FR 6,3X19 ZIN	1,00			--
0017		MECE00428		SWITCH RELAY 24V	1,00			--
0018		MECI00028		BUTTON DI EMERGENZA TK1400 24V	1,00			--
0019		MECI75801		MICROSWITCH TK	2,00			--
0020		LAFN06784		PLATE SUPPORTO ELETTRONICA	1,00			--
0021		VTVT62920		SCREW TE F/ROND. M 6X 16 ZB	4,00			--
0022		MECI00037		CONTACTOR TL22 P V 24V	1,00			--
0023		MEVR00145		FUSE 100A	1,00			--
0024		MECB00117		WIRING TELERUTTORE	1,00			--
0025		MEVR00146		FUSE-HOLDER MEGA	1,00			--
0026		MECE00019		BOARD POWER TRACTION G1050-1202	1,00			--
0027		MECE45124		PCB RELE' L.1400	1,00			--
0028		ETET01356		ADHESIVE PEDALE P185	1,00		10/2006	--
0029		LAFN51064		ASSEMBLED PEDALE AVANZ.SUPER.	1,00		10/2006	--
0030		MLML00034		SPRING PEDALE AVANZAMENTO G1050	1,00		10/2006	--
0031		VTVT00654		SCREW TC+ M.3-20	2,00		10/2006	--
0032		VTAE48552		CIRCLIP D. 6 UNI 7435	1,00		10/2006	--
0033		VTDD21115		NUT M 3 INOX	2,00		10/2006	--
0034		VTAE48552		CIRCLIP D. 6 UNI 7435	2,00		10/2006	--
0035		LAFN04159		PIN PEDALE P185	1,00		10/2006	--
0036		LAFN51063		ASSEMBLED BASE PEDALE AVANZ.	1,00		10/2006	--
0037		MECB00124		WIRING pedale acceleratore G1050	1,00		10/2006	--
0038		VTVT21096		SCREW TE M 4X 10 INX	1,00		10/2006	--
0039		MPVR51062		COVER POTENZIOM.	1,00		10/2006	--



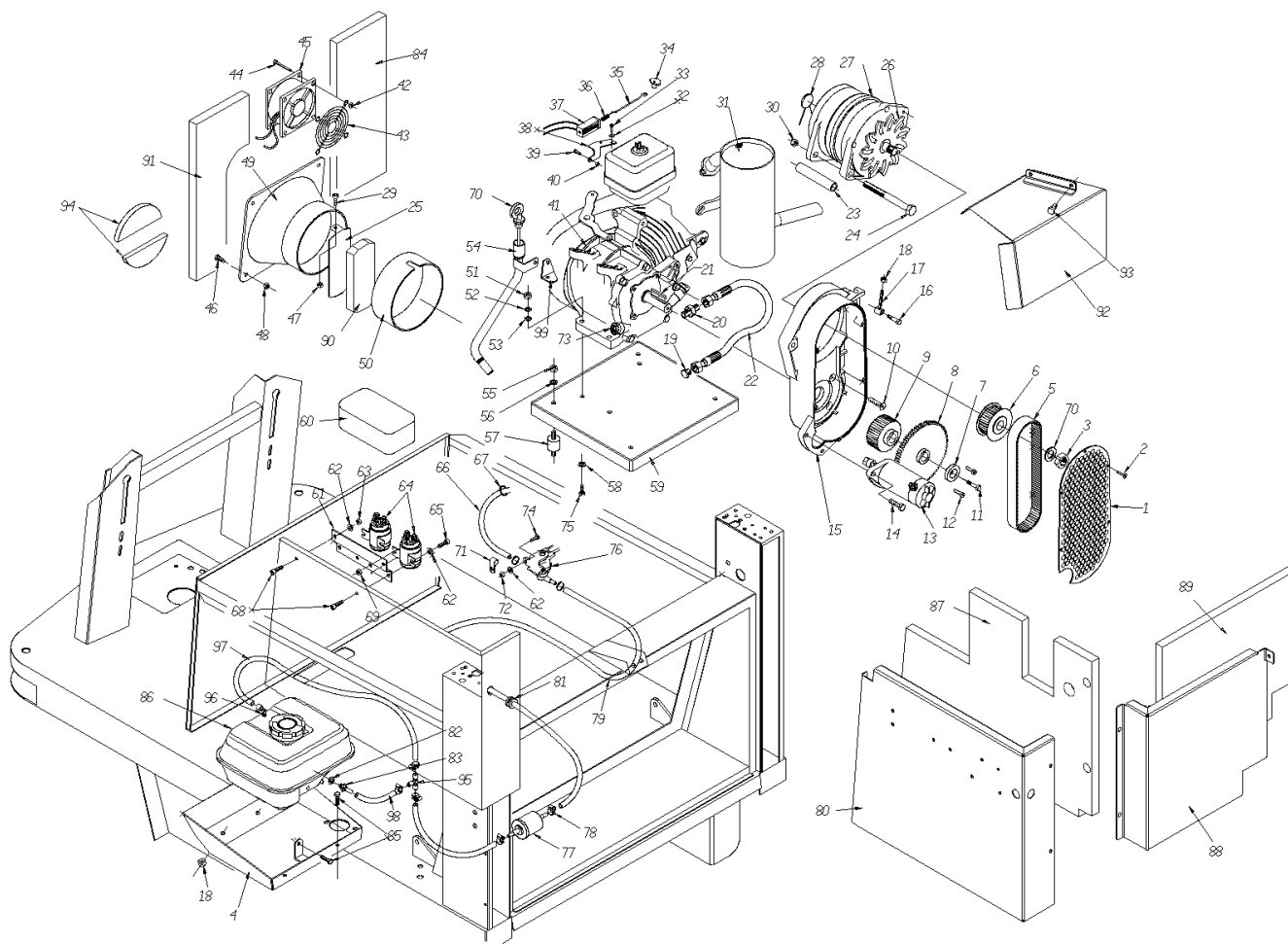
Ref.	K	Part N.	Customer Part N.	Description	Qty	Validity:		Price
						From	To	
0040		VTVT06237		SCREW TCEI 6X20 UNI5931	1,00		10/2006	--
0041		MPVR51061		HANDLE POTENZIOM.	1,00		10/2006	--
0042		LAFN51062		ASSEMBLED BIELLA PEDALE AVANZ.	1,00		10/2006	--
0043		LAFN51061		PIN AGGANCIO PEDALE MOB.	1,00		10/2006	--
0044		MPVR00866		PLANE ANTISDRUCCIOLO G1050	1,00	10/2006		--
0045		LAFN06474		SHEET METAL PA.PEDALE	1,00	10/2006		--
0046		MLML00034		SPRING PEDALE AVANZAMENTO G1050	1,00	10/2006		--
0047		MECB00995		WIRING PEDALE ACCEL.P160	1,00	10/2006		--
0048		LAFN00524		PIN PEDALE TK 1050	1,00	10/2006		--
0049		VTAE48552		CIRCLIP D. 6 UNI 7435	2,00	10/2006		--
0050		VTDD04369		NUT M 4 TEF UNI 7473	1,00	10/2006		--
0051		VTVT00089		SCREW TCCE UNI 5931 4X10 ZB	1,00	10/2006		--
0052		LAFN06473		SHEET METAL PA.PEDALE	1,00	10/2006		--
0053		VTVT00704		SCREW TE M 4X 16 UNI5739 INOX	1,00	10/2006		--
0054		MECB00995		WIRING PEDALE ACCEL.P160	1,00	10/2006		--
0055		MPVR00302		CRANKCASE PEDALE AVANZAMENTO	1,00	10/2006		--
0056		VTVT62920		SCREW TE F/ROND. M 6X 16 ZB	1,00	10/2006		--
0057		LAFN00909		BRACKET BIELLETTA PEDALE	1,00	10/2006		--
0058		VTDD00004		NUT M 6 ZC UNI5588	1,00	10/2006		--
0059		CMCV76639		FORK M 6 UNI 1676	2,00	10/2006		--
0060		CMCV75717		CLIP UNI 1676 M6	2,00	10/2006		--
0061		LAFN01149		CONNECTING ROD PEDALE AVANZAMENTO G1050	1,00	10/2006		--
0062		VTDD00055		NUT M 4 ATB A2	1,00	10/2006		--



Ref.	K	Part N.	Customer Part N.	Description	Qty	Validity:		Price
						From	To	
0001		LAFN47152		BRACKET PROTEZIONE	1,00			--
0002		VTVT00005		SCREW TE FR 5X12 ZB	5,00			--
0003		LAFN00271		NUT FISSA PULEGGIA ALTERNA.	1,00			--
0004		LAFN00793		BRACKET SERBATOIO BENZINA	1,00			--
0005		MTCG44555		BELT HTD 565-5M 25	1,00			--
0006		MTPL00019		PULLEY ALTER.44-RPP5-25 TK1300	1,00			--
0007		LAFN06832		WASHER BLOCCA INGRANAGGIO	1,00			--
0008		MTCR45720		TOOTHED WHEEL Z. 80 P. 1.75	1,00			--
0009		MTPL00020		PULLEY 40RPP5-25 MOT.HONDA5.5	1,00			--
0010		VTVT63134		SCREW M 8X25 TSPEI ZC UNI 5933	4,00			--
0011		VTVT00448		SCREW TE 8X30 UNI5739	1,00			--
0012		VTVT00066		SCREW TCCE UNI 5931 8X25 ZB	2,00			--
0013		MOCC45115		MOTOR 24V 300W SX	1,00			--
0014		VTVT01119		SCREW TCEI 8X20 UNI5931	2,00			--
0015		MFVR47154		CRANKCASE L.14	1,00			--
0016		VTVT28307		SCREW TCCE UNI 5931 10X70 ZN	1,00			--
0017		LAFN47168		BELT-STRETCHER L.14	1,00			--
0018		VTDD19688		NUT M6 UNI 7473	1,00			--
0019		RCDS00002		CAP 1/4"	1,00			--
0020		RCDS47173		NIPPLE 1/4 -M10X1.25	1,00			--
0021		VTVR47158		KEY 5X 5X41 UNI 6604	1,00			--
0022		TBBP47172		L.P. HOSE L=300 1/4F -1/4F 0°	1,00			--
0023		LAFN47157		SPACER L.14	1,00			--
0024		VTVT16260		SCREW TE M 10X160 UNI 5737 ZC	1,00			--
0025		LAFN06980		SHEET METAL PA.PARZIALIZZATORE	1,00			--
0026		VEVR47160		IMPELLER ALTER. A.OR.	1,00			--
0027		ARGN00004		ALTERNATOR 28V-80A	1,00			--
0028		METK47170		PROBE F11-140° NC	1,00			--
0029		VTVT75725		SCREW TBEI M 6X 10 ISO 7380 ZB	2,00			--
0030		VTDD00042		NUT AUT.M10 UNI7474	1,00			--
0031		MRSC00069		SILENCER HD COMPLETA	1,00			--
0032		VTRS27296		WASHER GROWER 3 ZNT	2,00			--
0033		VTVT10068		SCREW TC -TC 3X 6 UNI 7687	2,00			--
0034		MEVR45117		BALANCER L.14	1,00			--
0035		MEVR45118		CONNECTING ROD L.14	1,00			--
0036		MLML45119		SPRING L.14	1,00			--
0037		MEVR45120		SOLENOID K9B-36DL-1041	1,00			--
0038		LAFN47155		BRACKET L.14	1,00			--
0039		VTVT00107		SCREW TCTC UNI 7687 3X12 ZB	1,00			--

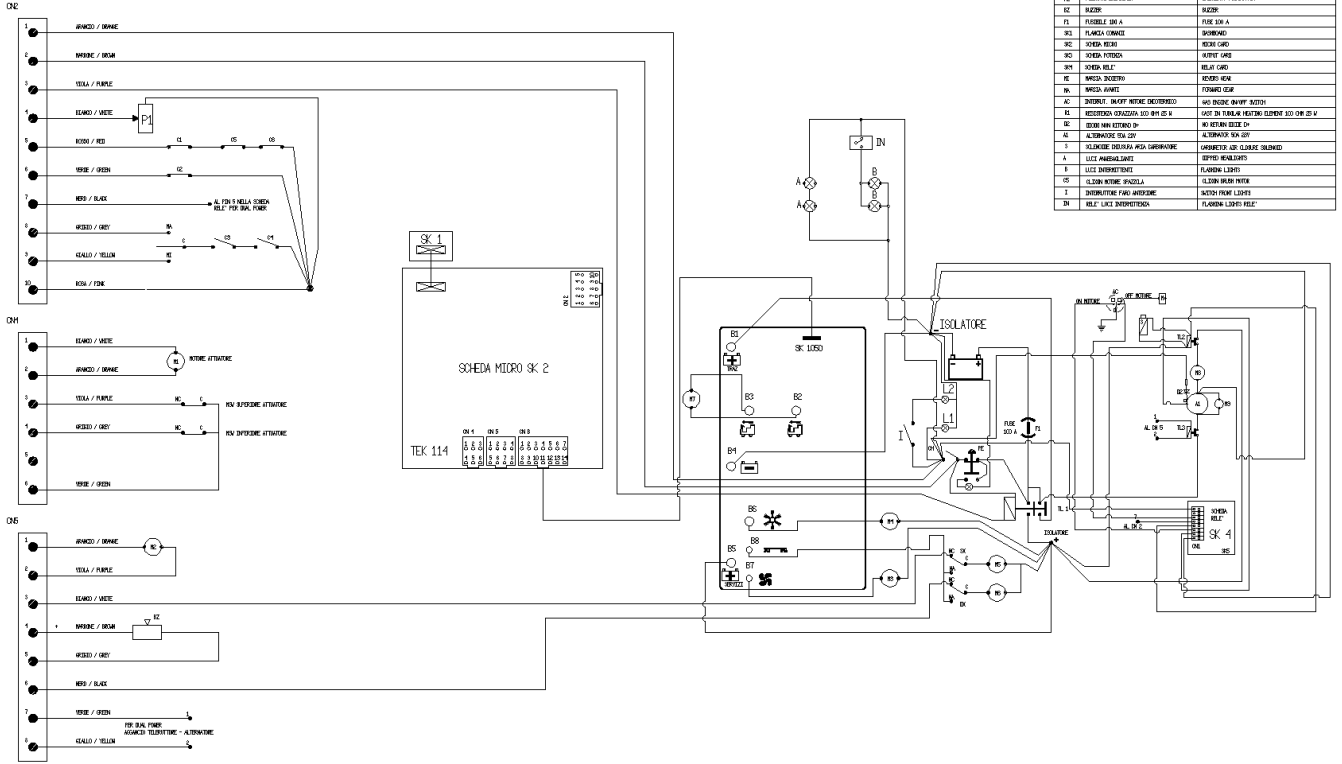


Ref.	K	Part N.	Customer Part N.	Description	Qty	Validity:		Price
						From	To	
0040		VTDD00001		NUT UNI 5588 M3 ZB	1,00			--
0041		MODS00001		MOTOR HONDA GX 160 K1 SX4 OH	1,00			--
0042		VTDD00039		NUT M 4 AB UNI7474 ZC 10/8G	4,00			--
0043		LAFN00009		BRACKET PROTEZIONE	1,00			--
0044		VTVT72043		SCREW M 4 X16 TC UNI7687	4,00			--
0045		VEVR45113		VENTILATOR 24V RF.	1,00			--
0046		VTVT75726		SCREW TBEI M 6X 16 ISO 7380 ZB	4,00			--
0047		VTDD86633		NUT AUTO BLOCK M6 DIN 985	2,00			--
0048		VTDD00491		NUT M 6 TEF	4,00			--
0049		LAFN45978		CONVEYOR L.14	1,00			--
0050		GUVR45977		GASKET L.14	1,00			--
0051		VTDD00124		NUT M 8 BASSO	4,00			--
0052		VTRS01080		WASHER D. 8 GRW	4,00			--
0053		VTRS00504		WASHER D. 8 TE ZC. UNI 6592	4,00			--
0054		LAFN06796		TUBE ASTA LIVELLO OLIO	1,00			--
0055		VTDD00124		NUT M 8 BASSO	4,00			--
0056		VTRS00512		WASHER D. 8 X24 ZC.	4,00			--
0057		ABGO00007		VIBRATION DAMP.MM 30X25 8X16	4,00			--
0058		VTRS00512		WASHER D. 8 X24 ZC.	4,00			--
0059		LAFN47159		MOTOR PLATE L.14	1,00			--
0060		MPVR47166		PROTECTION L.14 TLR.	1,00			--
0061		LAFN47167		BRACKET L.14	1,00			--
0062		VTRS00503		WASHER D. 6 TE UNI 6798	2,00			--
0063		VTDD00491		NUT M 6 TEF	2,00			--
0064		METT45116		CONTACTOR 24V T106 P	2,00			--
0065		VTVT62920		SCREW TE F/ROND. M 6X 16 ZB	2,00			--
0067		FSVR19693		CLAMP D. 7-11	1,00			--
0068		VTVT62920		SCREW TE F/ROND. M 6X 16 ZB	2,00			--
0069		VTDD00491		NUT M 6 TEF	2,00			--
0070		TBBP00383		ROD LIVELLO OLIO	1,00			--
0071		FSVR00005		CLAMP TIPO "ECO"FORO MM8 D.1 W0	1,00			--
0072		VTDD00482		NUT M 6 ZIN UNI 5588	2,00			--
0073		MPVR04911		RUBBER ASTA LIVELLO OLIO	1,00			--
0074		VTVT00527		SCREW TE FR 6X10 ZB ZIG.	2,00			--
0075		VTVT00450		SCREW TE 8X40 UNI5739	4,00			--
0076		MEEV47161		SOLENOID VALVE FUEL	1,00			--
0077		FTCO34840		FUEL FILTER FB 7/A NYL.	1,00			--
0078		FSVR19692		CLAMP D. 11-16 VT	9,00			--
0080		LAFN00769		SHEET METAL PA.DIVIS.VANO MOTOR.1300 VER	1,00			--

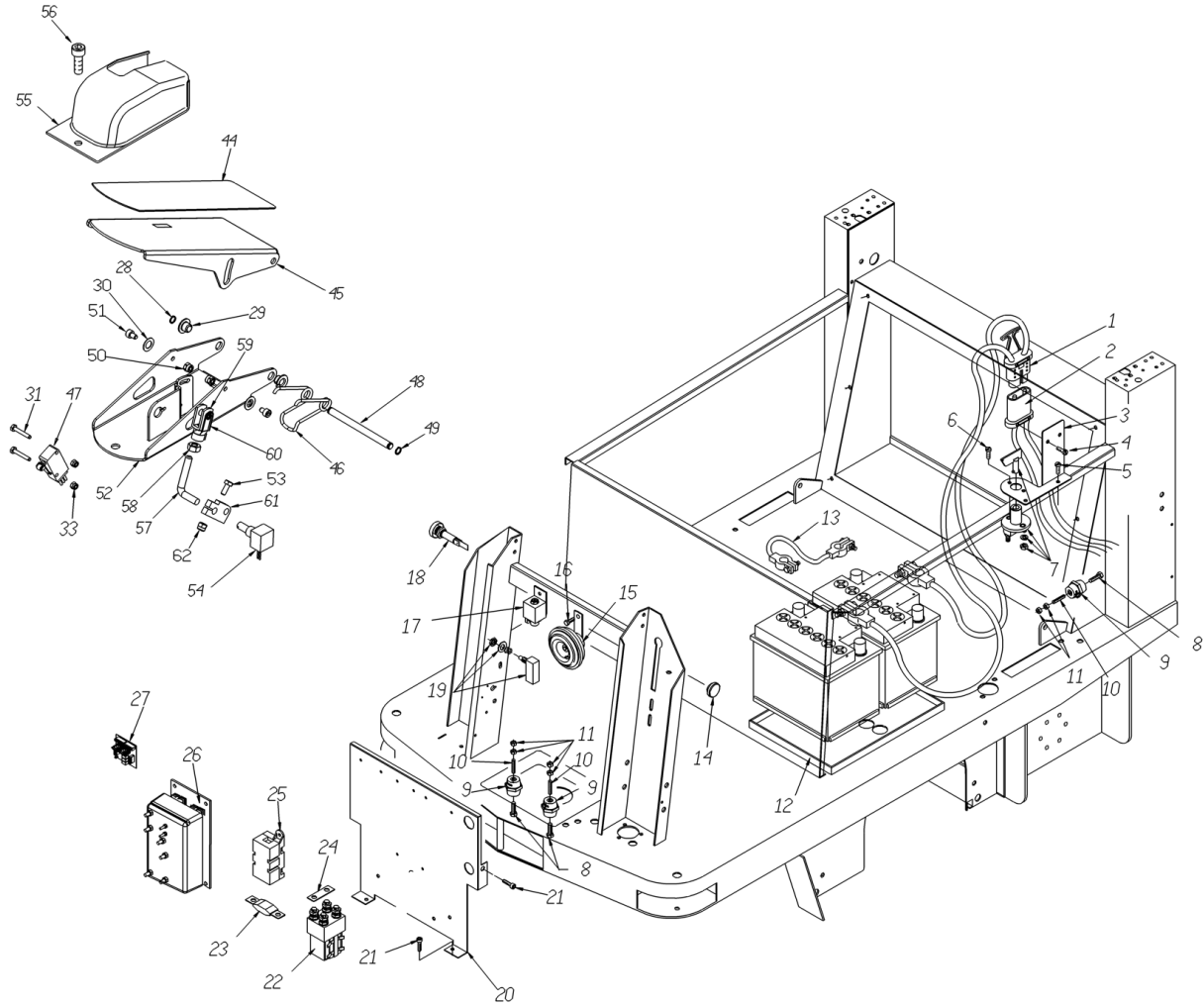


Ref.	K	Part N.	Customer Part N.	Description	Qty	Validity:		Price
						From	To	
0081		MEVR00094		FAIR-LEAD EGP15-20S.60 PAS1	1,00			--
0082		GUVR00009		GASKET RACC.SERBATOIO BENZINA	1,00			--
0083		RCVR00037		CONNECTOR PORTAGOMMA SERB.HONDA	1,00			--
0084		ITSO00050		PANEL ISOLATORE	1,00			--
0085		VTVT62920		SCREW TE F/ROND. M 6X 16 ZB	2,00			--
0086		KTRI00257		TANK G1202	1,00			--
0087		ITSO00051		PANEL LAMIERA	1,00			--
0088		LAFN06982		BULKWARD -	1,00			--
0089		ITSO00053		PANEL ISOLATORE	1,00			--
0090		ITSO00049		PANEL ISOLATORE	1,00			--
0091		ITSO00048		PANEL ISOLATORE	1,00			--
0092		LAFN06981		CONVEYOR -	1,00			--
0093		VTVT01314		SCREW TCEI M6 X 12 INOX	2,00			--
0094		ITSO00007		PANEL FONOASS.MEZZALUNA DIESEL	2,00			--
0095		RCVR00083		CONNECTOR A "T"	1,00			--
0096		RCVR00084		CONNECTOR A "L"	1,00			--
0097		TBBP00023		TUBE COMBUSTIBILE L=25cm	1,00			--
0099		LAFN06838		BRACKET FISSA ASTA OLIO	1,00			--

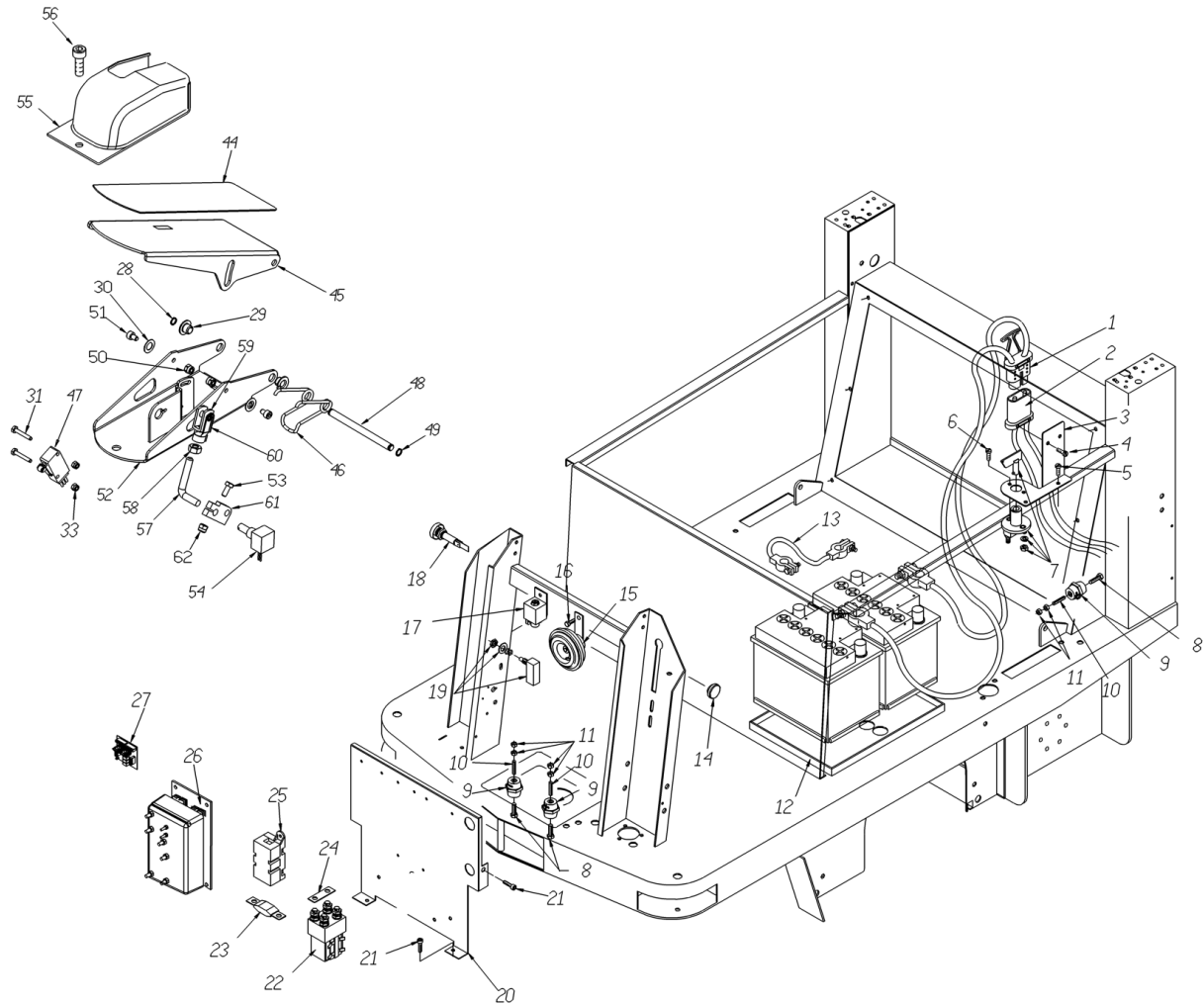
01	INTAKE ATTUATORE	ACTUATOR PRESS
02	INTAKE SENSORE	FILTRACORRE INTAKE
03	INTAKE SENSORE	ACTUATOR COIL
04	INTAKE PAVILLA LUBRIFICAZIONE	INTAKE OILY WATER
05	INTAKE PAVILLA LUBRIFICAZIONE	LEFT OILY WATER
06	INTAKE PAVILLA LUBRIFICAZIONE	RIGHT OILY WATER
07	INTAKE INTAKE	INTAKE PRESS
08	INTAKE ANCHESTRO 24V 2V	COILS 24V 2V
09	INTAKE ANCHESTRO 24V 2V	COILS 24V 2V
10	INTAKE ANCHESTRO 24V 2V	COILS 24V 2V
11	RELATTORIO ELETTRICO	ELECTRICAL SWITCH CONTROL
12	RELATTORIO INTAKE WATER 10A 2V	INTAKE WATER CONTACT SWITCH 10A 2V
13	RELATTORIO ANCHESTRO 24V 2V	ALTERNATING CURRENT CONTACT SWITCH 24V 2V
14	RELATTORIO INTAKE	RELATTORIO INTAKE
15	RELATTORIO INTAKE	RELATTORIO INTAKE
16	RELATTORIO INTAKE	RELATTORIO INTAKE
17	RELATTORIO INTAKE	RELATTORIO INTAKE
18	RELATTORIO INTAKE	RELATTORIO INTAKE
19	RELATTORIO INTAKE	RELATTORIO INTAKE
20	RELATTORIO INTAKE	RELATTORIO INTAKE
21	RELATTORIO INTAKE	RELATTORIO INTAKE
22	RELATTORIO INTAKE	RELATTORIO INTAKE
23	RELATTORIO INTAKE	RELATTORIO INTAKE
24	RELATTORIO INTAKE	RELATTORIO INTAKE
25	RELATTORIO INTAKE	RELATTORIO INTAKE
26	RELATTORIO INTAKE	RELATTORIO INTAKE
27	RELATTORIO INTAKE	RELATTORIO INTAKE
28	RELATTORIO INTAKE	RELATTORIO INTAKE
29	RELATTORIO INTAKE	RELATTORIO INTAKE
30	RELATTORIO INTAKE	RELATTORIO INTAKE
31	RELATTORIO INTAKE	RELATTORIO INTAKE
32	RELATTORIO INTAKE	RELATTORIO INTAKE
33	RELATTORIO INTAKE	RELATTORIO INTAKE
34	RELATTORIO INTAKE	RELATTORIO INTAKE
35	RELATTORIO INTAKE	RELATTORIO INTAKE
36	RELATTORIO INTAKE	RELATTORIO INTAKE
37	RELATTORIO INTAKE	RELATTORIO INTAKE
38	RELATTORIO INTAKE	RELATTORIO INTAKE
39	RELATTORIO INTAKE	RELATTORIO INTAKE
40	RELATTORIO INTAKE	RELATTORIO INTAKE
41	RELATTORIO INTAKE	RELATTORIO INTAKE
42	RELATTORIO INTAKE	RELATTORIO INTAKE
43	RELATTORIO INTAKE	RELATTORIO INTAKE
44	RELATTORIO INTAKE	RELATTORIO INTAKE
45	RELATTORIO INTAKE	RELATTORIO INTAKE
46	RELATTORIO INTAKE	RELATTORIO INTAKE
47	RELATTORIO INTAKE	RELATTORIO INTAKE
48	RELATTORIO INTAKE	RELATTORIO INTAKE
49	RELATTORIO INTAKE	RELATTORIO INTAKE
50	RELATTORIO INTAKE	RELATTORIO INTAKE
51	RELATTORIO INTAKE	RELATTORIO INTAKE
52	RELATTORIO INTAKE	RELATTORIO INTAKE
53	RELATTORIO INTAKE	RELATTORIO INTAKE
54	RELATTORIO INTAKE	RELATTORIO INTAKE
55	RELATTORIO INTAKE	RELATTORIO INTAKE
56	RELATTORIO INTAKE	RELATTORIO INTAKE
57	RELATTORIO INTAKE	RELATTORIO INTAKE
58	RELATTORIO INTAKE	RELATTORIO INTAKE
59	RELATTORIO INTAKE	RELATTORIO INTAKE
60	RELATTORIO INTAKE	RELATTORIO INTAKE
61	RELATTORIO INTAKE	RELATTORIO INTAKE
62	RELATTORIO INTAKE	RELATTORIO INTAKE
63	RELATTORIO INTAKE	RELATTORIO INTAKE
64	RELATTORIO INTAKE	RELATTORIO INTAKE
65	RELATTORIO INTAKE	RELATTORIO INTAKE
66	RELATTORIO INTAKE	RELATTORIO INTAKE
67	RELATTORIO INTAKE	RELATTORIO INTAKE
68	RELATTORIO INTAKE	RELATTORIO INTAKE
69	RELATTORIO INTAKE	RELATTORIO INTAKE
70	RELATTORIO INTAKE	RELATTORIO INTAKE
71	RELATTORIO INTAKE	RELATTORIO INTAKE
72	RELATTORIO INTAKE	RELATTORIO INTAKE
73	RELATTORIO INTAKE	RELATTORIO INTAKE
74	RELATTORIO INTAKE	RELATTORIO INTAKE
75	RELATTORIO INTAKE	RELATTORIO INTAKE
76	RELATTORIO INTAKE	RELATTORIO INTAKE
77	RELATTORIO INTAKE	RELATTORIO INTAKE
78	RELATTORIO INTAKE	RELATTORIO INTAKE
79	RELATTORIO INTAKE	RELATTORIO INTAKE
80	RELATTORIO INTAKE	RELATTORIO INTAKE
81	RELATTORIO INTAKE	RELATTORIO INTAKE
82	RELATTORIO INTAKE	RELATTORIO INTAKE
83	RELATTORIO INTAKE	RELATTORIO INTAKE
84	RELATTORIO INTAKE	RELATTORIO INTAKE
85	RELATTORIO INTAKE	RELATTORIO INTAKE
86	RELATTORIO INTAKE	RELATTORIO INTAKE
87	RELATTORIO INTAKE	RELATTORIO INTAKE
88	RELATTORIO INTAKE	RELATTORIO INTAKE
89	RELATTORIO INTAKE	RELATTORIO INTAKE
90	RELATTORIO INTAKE	RELATTORIO INTAKE
91	RELATTORIO INTAKE	RELATTORIO INTAKE
92	RELATTORIO INTAKE	RELATTORIO INTAKE
93	RELATTORIO INTAKE	RELATTORIO INTAKE
94	RELATTORIO INTAKE	RELATTORIO INTAKE
95	RELATTORIO INTAKE	RELATTORIO INTAKE
96	RELATTORIO INTAKE	RELATTORIO INTAKE
97	RELATTORIO INTAKE	RELATTORIO INTAKE
98	RELATTORIO INTAKE	RELATTORIO INTAKE
99	RELATTORIO INTAKE	RELATTORIO INTAKE
100	RELATTORIO INTAKE	RELATTORIO INTAKE



Ref.	K	Part N.	Customer Part N.	Description	Qty	Validity:	Price
						From To	
A		MEVR00135		LANTERN G1400	1,00		--
A1		ARGN00004		ALTERNATOR 28V-80A	1,00		--
AC		MECI75945		COMMUTAT.SWITCH3 POS. TK	1,00		--
B		MELF85067		LANTERN FLASH 21W 24V OR.	1,00		--
C4		MECB00124		WIRING pedale acceleratore G1050	1,00		--
C5		METK47170		PROBE F11-140° NC	1,00		--
CH		MECI75805		SWITCH TK	1,00		--
F1		MEVR00145		FUSE 100A	1,00		--
I		MECI76658		COMMUTAT.SWITCH2 P. TK	1,00		--
IN		MECE00428		SWITCH RELAY 24V	1,00		--
M1		MECB00983		WIRING ATTUATORE	1,00		--
M2		MOCC45112		MOTOR 24V CC ECC.	1,00		--
M3		MOCC00008		MOTOR SUCTION GENIUS SWEEPER	1,00		--
M4		MOCC00282		MOTOR BRUSH IP44 G1202-1303	1,00		--
M5		RDGR75785		MOTOR.GEARBOX AOMP140 24V 90W SX	1,00		--
M6		RDGR75784		MOTOR.GEARBOX AOMP140 24V TK1000	1,00		--
M7		MOCC00007		MOTOR.GEARBOX TRAZIONE TK1300 DP	1,00		--
M8		MOCC45115		MOTOR 24V 300W SX	1,00		--
M9		VEVR45113		VENTILATOR 24V RF.	1,00		--
MA		MECI00337		SWITCH A LEVA	1,00		--
MI		MECI00337		SWITCH A LEVA	1,00		--
P1		MECB00124		WIRING pedale acceleratore G1050	1,00		--
PE		MECI00028		BUTTON DI EMERGENZA TK1400 24V	1,00		--
S		MEVR45120		SOLENOID K9B-36DL-1041	1,00		--
SK1		MECE00016		PCB MICRO + DISPLAY	1,00		--
SK2		MECE00016		PCB MICRO + DISPLAY	1,00		--
SK3		MECE00019		BOARD POWER TRACTION G1050-1202	1,00		--
SK4		MECE45124		PCB RELE' L. 1400	1,00		--
TL1		MECI00037		CONTACTOR TL22 P V 24V	1,00		--
TL2		METT45116		CONTACTOR 24V T106 P	1,00		--
TL3		METT45116		CONTACTOR 24V T106 P	1,00		--



Ref.	K	Part N.	Customer Part N.	Description	Qty	Validity:		Price
						From	To	
0001		MECB44779		WIRING INTERNO BATTERIE	1,00			--
0002		MEVR44180		PLUG FT 80	1,00			--
0003		LAFN87621		PLATE PORTA PRESA TK1300/1200	1,00			--
0004		VTVT00128		SCREW TC M4X30	2,00			--
0005		VTVT13515		SCREW TSPEI M6x16 UNI5933 10.9	2,00			--
0006		VTVT09913		SCREW TCEI 6X16 UNI5931	2,00			--
0007		AZMC75803		DIASASS.SPANNERSW 1000	1,00			--
0008		VTVT00527		SCREW TE FR 6X10 ZB ZIG.	3,00			--
0009		MEVR47082		INSULATOR M6 35-CH32	3,00			--
0010		VTVT47088		SCREW EI-ST 6X30 UNI5923 ZC	3,00			--
0011		VTDD00482		NUT M 6 ZIN UNI 5588	6,00			--
0012		MPVR00296		CONTAINER BATTERIA TK1200	1,00			--
0013		MEVR34820		WIRING B 450 BT	1,00			--
0014		MPVR00048		CAP DIAM.22 NERO P9ARHPR	1,00			--
0015		MEVR47083		KLAXON L.14 24V	1,00			--
0016		VTVT85116		SCREW TE FR 6,3X19 ZIN	1,00			--
0017		MECE00428		SWITCH RELAY 24V	1,00			--
0018		MECI00028		BUTTON DI EMERGENZA TK1400 24V	1,00			--
0019		MECI75801		MICROSWITCH TK	2,00			--
0020		LAFN06784		PLATE SUPPORTO ELETTRONICA	1,00			--
0021		VTVT62920		SCREW TE F/ROND. M 6X 16 ZB	4,00			--
0022		MECI00037		CONTACTOR TL22 P V 24V	1,00			--
0023		MEVR00145		FUSE 100A	1,00			--
0024		MECB00117		WIRING TELERUTTORE	1,00			--
0025		MEVR00146		FUSE-HOLDER MEGA	1,00			--
0026		MECE00019		BOARD POWER TRACTION G1050-1202	1,00			--
0027		MECE45124		PCB RELE' L.1400	1,00			--
0028		VTAE48552		CIRCLIP D. 6 UNI 7435	1,00			--
0029		CUVR00183		BUSHING -	2,00			--
0030		MPVR05528		WASHER -	2,00			--
0031		VTVT00654		SCREW TC+ M.3-20	2,00			--
0033		VTDD21115		NUT M 3 INOX	2,00			--
0044		MPVR00866		PLANE ANTISDRUCCIOLO G1050	1,00			--
0045		LAFN06474		SHEET METAL PA.PEDALE	1,00			--
0046		MLML00034		SPRING PEDALE AVANZAMENTO G1050	1,00			--
0047		MECB00995		WIRING PEDALE ACCEL.P160	1,00			--
0048		LAFN00524		PIN PEDALE TK 1050	1,00			--
0049		VTAE48552		CIRCLIP D. 6 UNI 7435	1,00			--
0050		VTDD04369		NUT M 4 TEF UNI 7473	1,00			--



Ref.	K	Part N.	Customer Part N.	Description	Qty	Validity:		Price
						From	To	
0051		VTVT00089		SCREW TCCE UNI 5931 4X10 ZB	1,00			--
0052		LAFN07532		BUSHING -	1,00			--
0053		VTVT00727		SCREW TE M. 4-20	1,00			--
0054		MECB00995		WIRING PEDALE ACCEL.P160	1,00			--
0055		MPVR00302		CRANKCASE PEDALE AVANZAMENTO	1,00			--
0056		VTVT62920		SCREW TE F/ROND. M 6X 16 ZB	1,00			--
0057		LAFN00909		BRACKET BIELLETTA PEDALE	1,00			--
0058		VTDD00482		NUT M 6 ZIN UNI 5588	1,00			--
0059		CMCV76639		FORK M 6 UNI 1676	2,00			--
0060		CMCV75717		CLIP UNI 1676 M6	2,00			--
0061		LAFN01149		CONNECTING ROD PEDALE AVANZAMENTO G1050	1,00			--
0062		VTDD04369		NUT M 4 TEF UNI 7473	1,00			--