



IPC Integrated Professional Cleaning

IPC Gansow

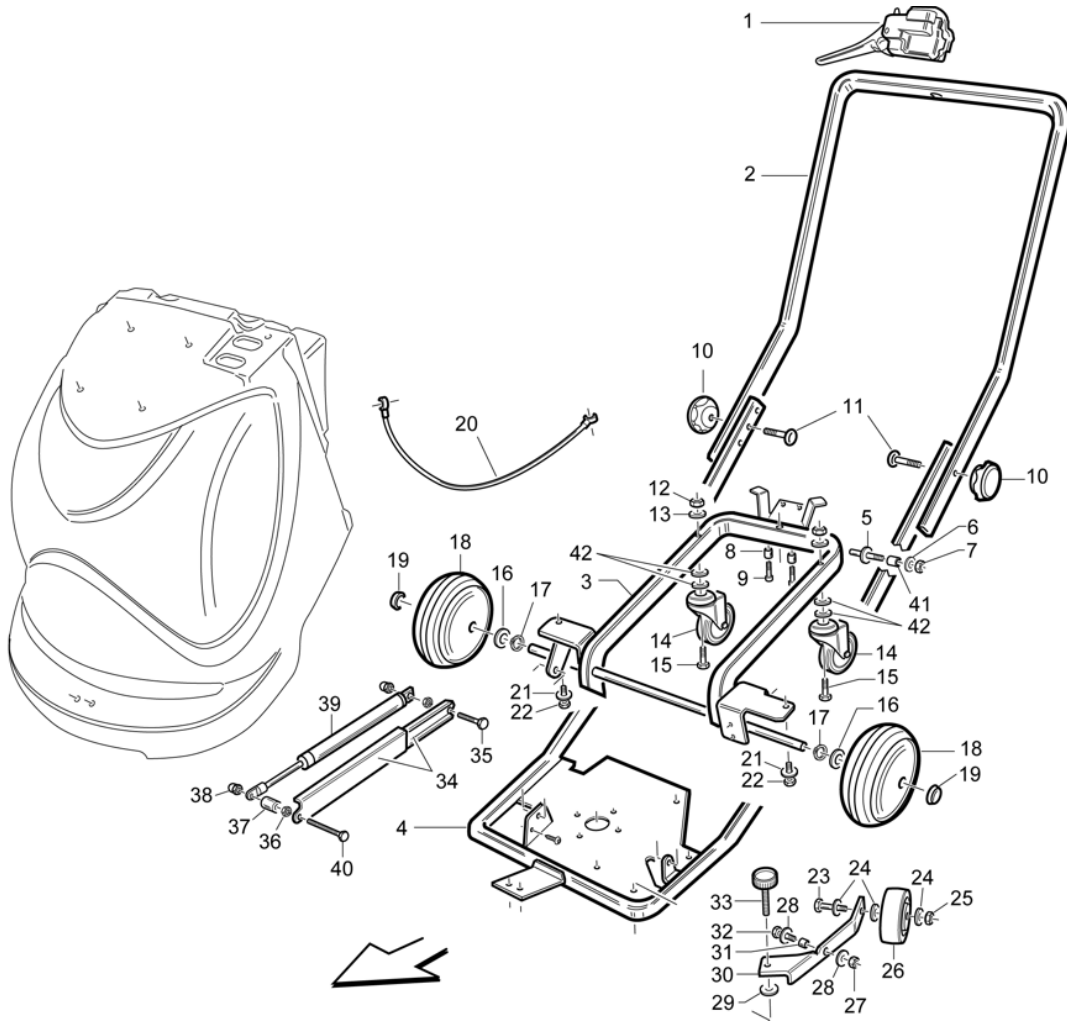
Spare Parts List

TAVERNARO AG

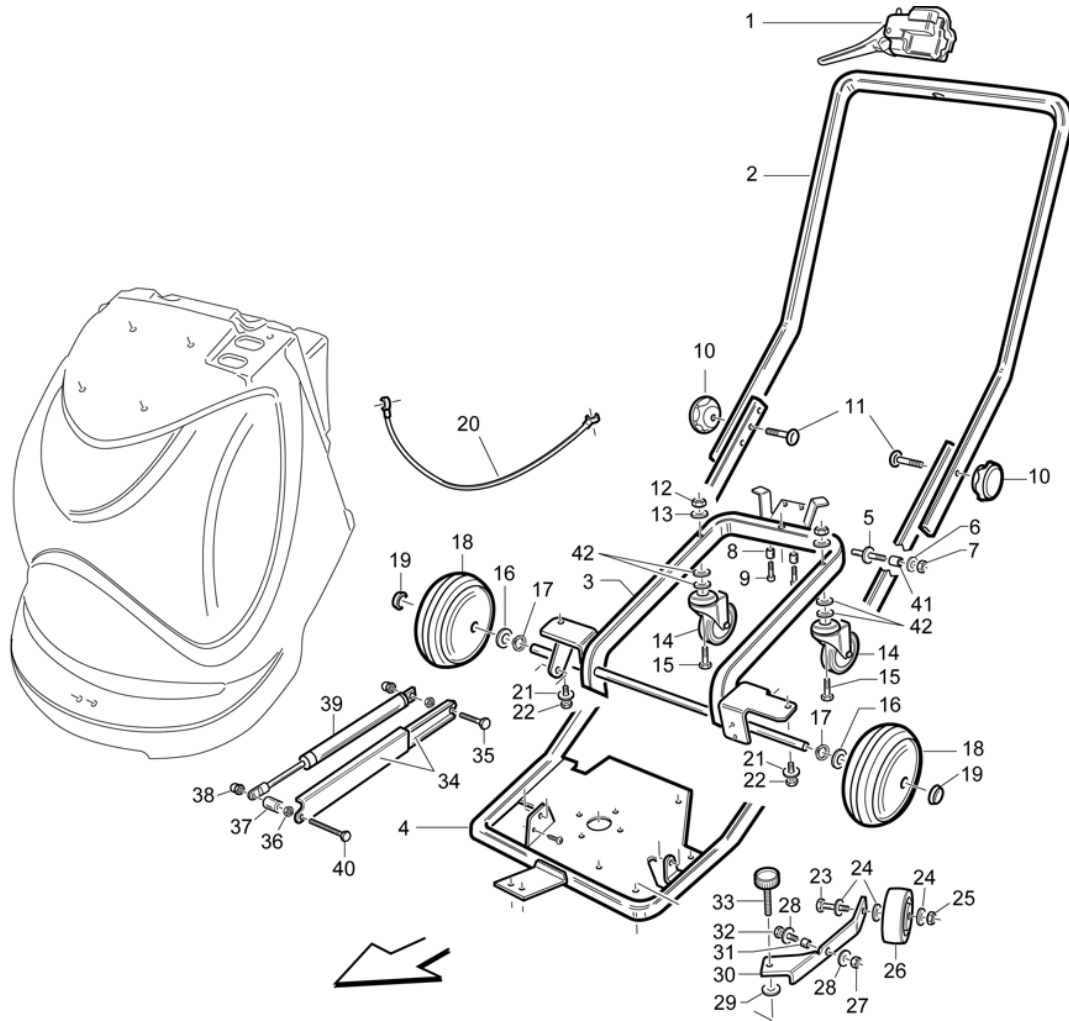
Ref: LPTE00475

Model: LAVASCIUGA GANSY C 230V

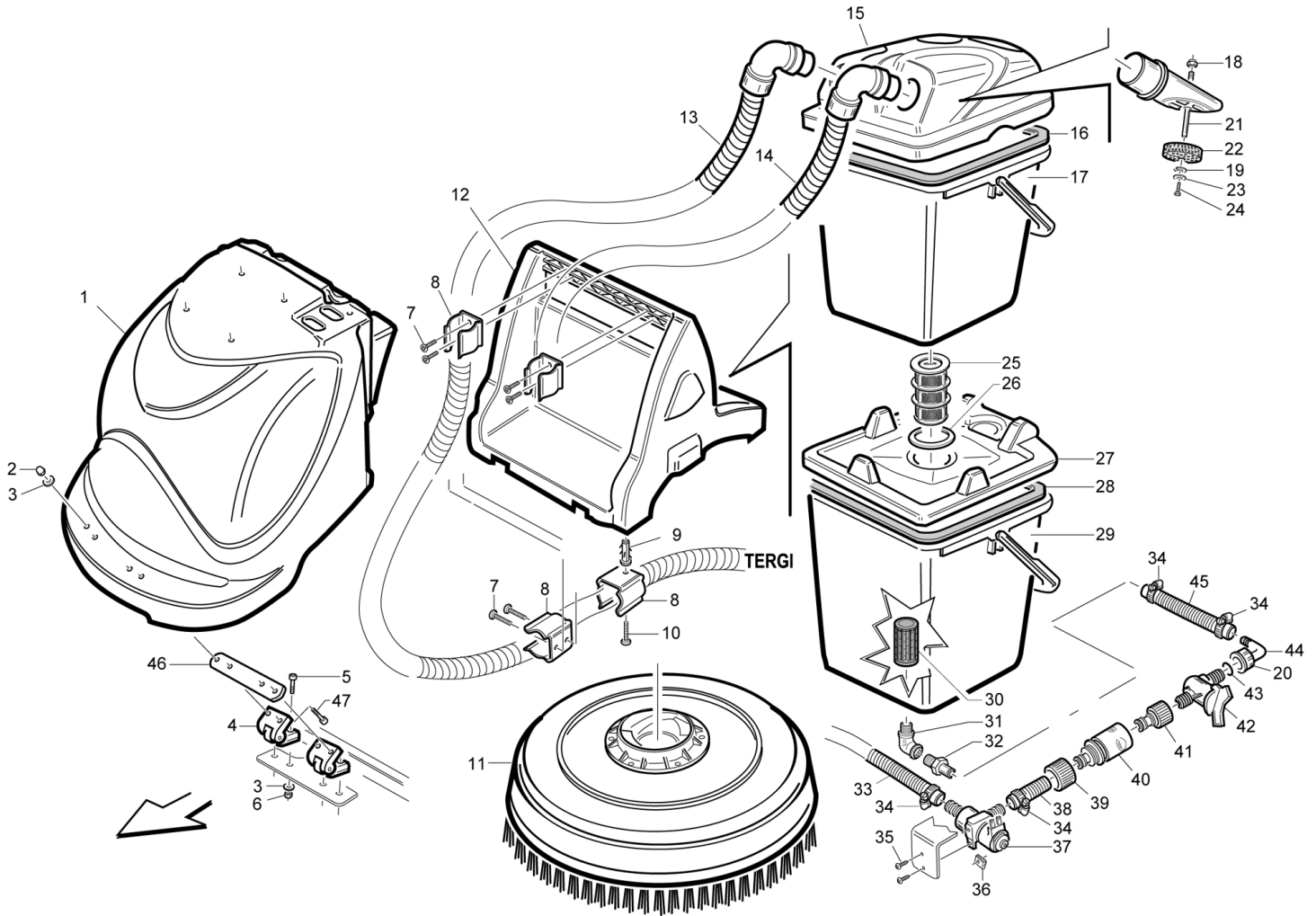
IPC



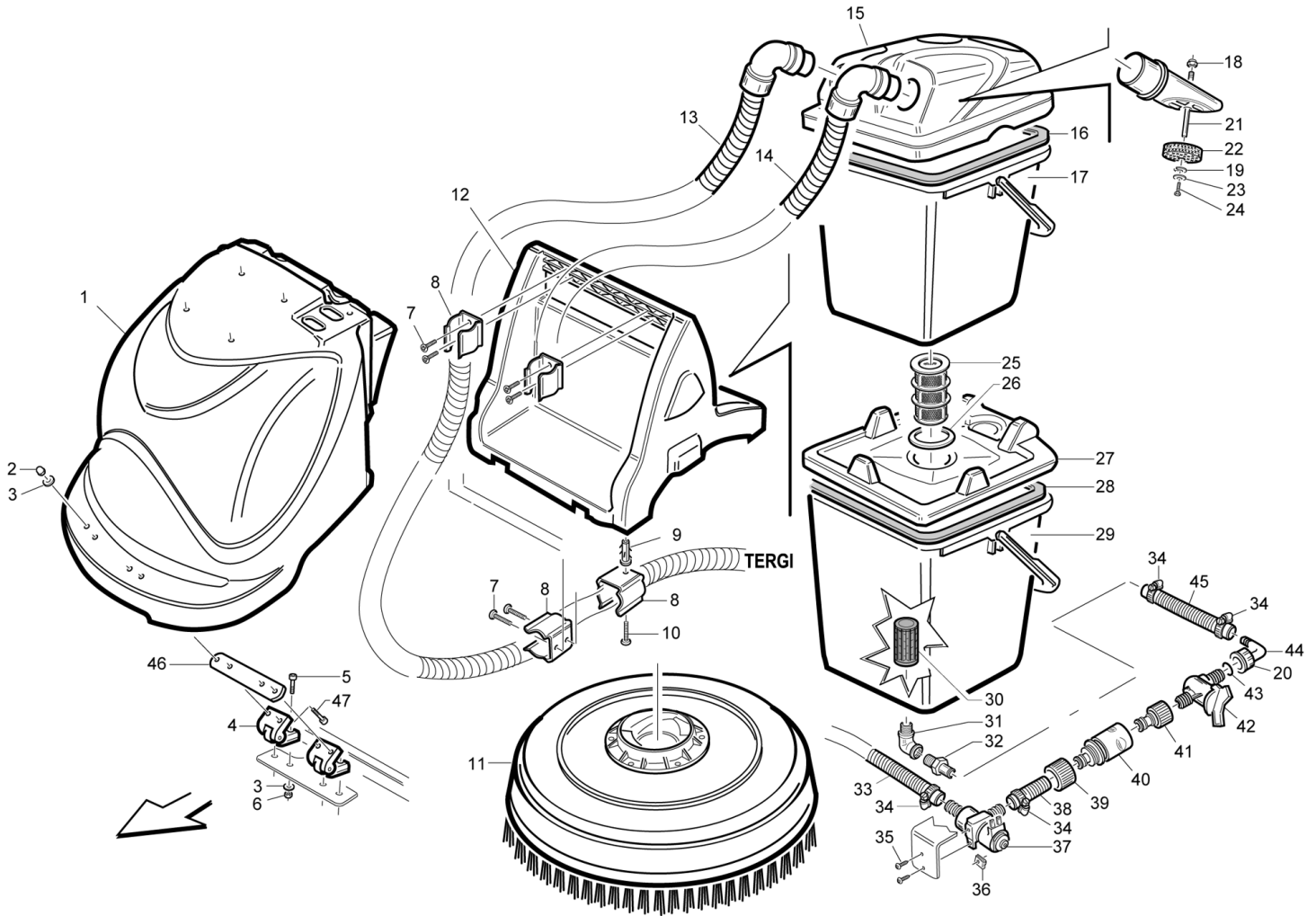
| Ref. K | Part N. | Customer Part N. | Description | Qty | Validity: | | Price |
|--------|-----------|------------------|----------------------------------|------|-----------|----|-------|
| | | | | | From | To | |
| 0001 | MEVR01732 | | HANDLE CT25 | 1,00 | | | -- |
| 0002 | LAFN06863 | | HANDLE CT25 | 1,00 | | | -- |
| 0003 | LAFN06704 | | TUBE CT25 | 1,00 | | | -- |
| 0004 | LAFN06705 | | FRAME CT25 | 1,00 | | | -- |
| 0005 | LAFN06710 | | PIN CT25 | 2,00 | | | -- |
| 0006 | VTRS13946 | | WASHER D. 8 X24 INX UNI 6593 | 2,00 | | | -- |
| 0007 | VTDD01695 | | NUT M 8 INX | 2,00 | | | -- |
| 0008 | LAFN04067 | | BUSHING PER CAVETTO | 2,00 | | | -- |
| 0009 | VTVT17720 | | SCREW TCEI M 5X16 INOX | 2,00 | | | -- |
| 0010 | MPVR05374 | | KNOB CT25 | 2,00 | | | -- |
| 0011 | VTVT01143 | | SCREW TTQDE M8X35 | 2,00 | | | -- |
| 0012 | VTDD10310 | | NUT AUTOBL.M10 INOX DIN 985 | 2,00 | | | -- |
| 0013 | VTRS15523 | | WASHER D.10 X21 INOX UNI 6592 | 2,00 | | | -- |
| 0014 | RTRT00513 | | WHEEL 2870 | 2,00 | | | -- |
| 0015 | VTVT01679 | | SCREW TCEI M 10X50 | 2,00 | | | -- |
| 0016 | VTRS09142 | | WASHER D.12 X 36 | 2,00 | | | -- |
| 0017 | VTAE00051 | | CIRCLIP X ALBERO D. 12 U7435 INX | 2,00 | | | -- |
| 0018 | RTRT00039 | | WHEEL POSTERIORE | 2,00 | | | -- |
| 0019 | VTVR00305 | | WASHER DI FERMO DIAMETRO 12 | 2,00 | | | -- |
| 0020 | CMCV00353 | | CABLE CT25 | 1,00 | | | -- |
| 0021 | VTRS15523 | | WASHER D.10 X21 INOX UNI 6592 | 2,00 | | | -- |
| 0022 | VTVT00715 | | SCREW TE M.10-35 | 2,00 | | | -- |
| 0023 | VTVT00836 | | SCREW TE M12-60 INOX | 1,00 | | | -- |
| 0024 | VTRS15978 | | WASHER D.12X24 UNI 6592 INX | 2,00 | | | -- |
| 0025 | VTDD00176 | | NUT M.12 INOX A2 BASSO AUTOB. | 1,00 | | | -- |
| 0026 | RTRT49171 | | CASTER D. 80-12 | 1,00 | | | -- |
| 0027 | VTDD19689 | | CARRYNG BAG | 1,00 | | | -- |
| 0028 | VTRS13947 | | WASHER D. 8 INX UNI 6592 | 2,00 | | | -- |
| 0029 | VTRS00374 | | KNOB - | 1,00 | | | -- |
| 0030 | LAFN06703 | | BRACKET - | 1,00 | | | -- |
| 0031 | RCDS34717 | | BUSHING D. 9X12X 8.3 | 1,00 | | | -- |
| 0032 | VTVT15907 | | SCREW TE 8X25 UNI5739 INX | 1,00 | | | -- |
| 0033 | MPVR05375 | | KNOB CT25 | 1,00 | | | -- |
| 0034 | LAFN01252 | | ARM FRONT | 1,00 | | | -- |
| 0035 | VTVT13939 | | SCREW TE 6X20 UNI5739 INX | 1,00 | | | -- |
| 0036 | VTDD01694 | | NUT M6 INOX | 1,00 | | | -- |
| 0037 | LAFN03742 | | SPACER SILENZIATORE | 1,00 | | | -- |
| 0038 | VTDD48188 | | NUT M 6 CIE. INX A2 UNI 5721 | 1,00 | | | -- |
| 0039 | MLML00314 | | SPRING - | 1,00 | | | -- |



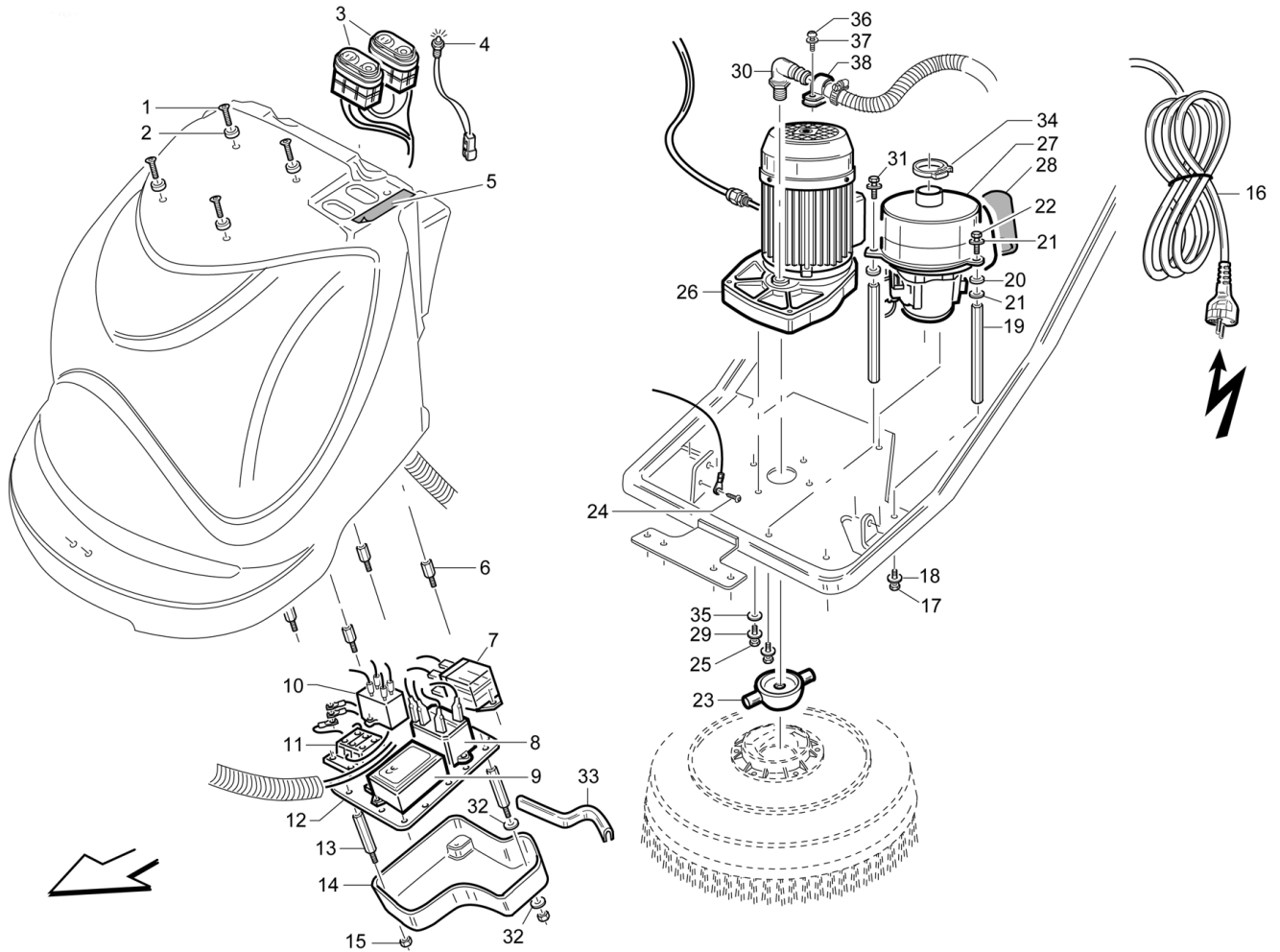
| Ref. | K | Part N. | Customer Part N. | Description | Qty | Validity: | | Price |
|------|---|-----------|------------------|--------------------------|------|-----------|----|-------|
| | | | | | | From | To | |
| 0040 | | VTVT00392 | | SCREW M6x35 UNI5739 inox | 1,00 | | | -- |
| 0041 | | LAFN06711 | | BUSHING CT25 | 2,00 | | | -- |



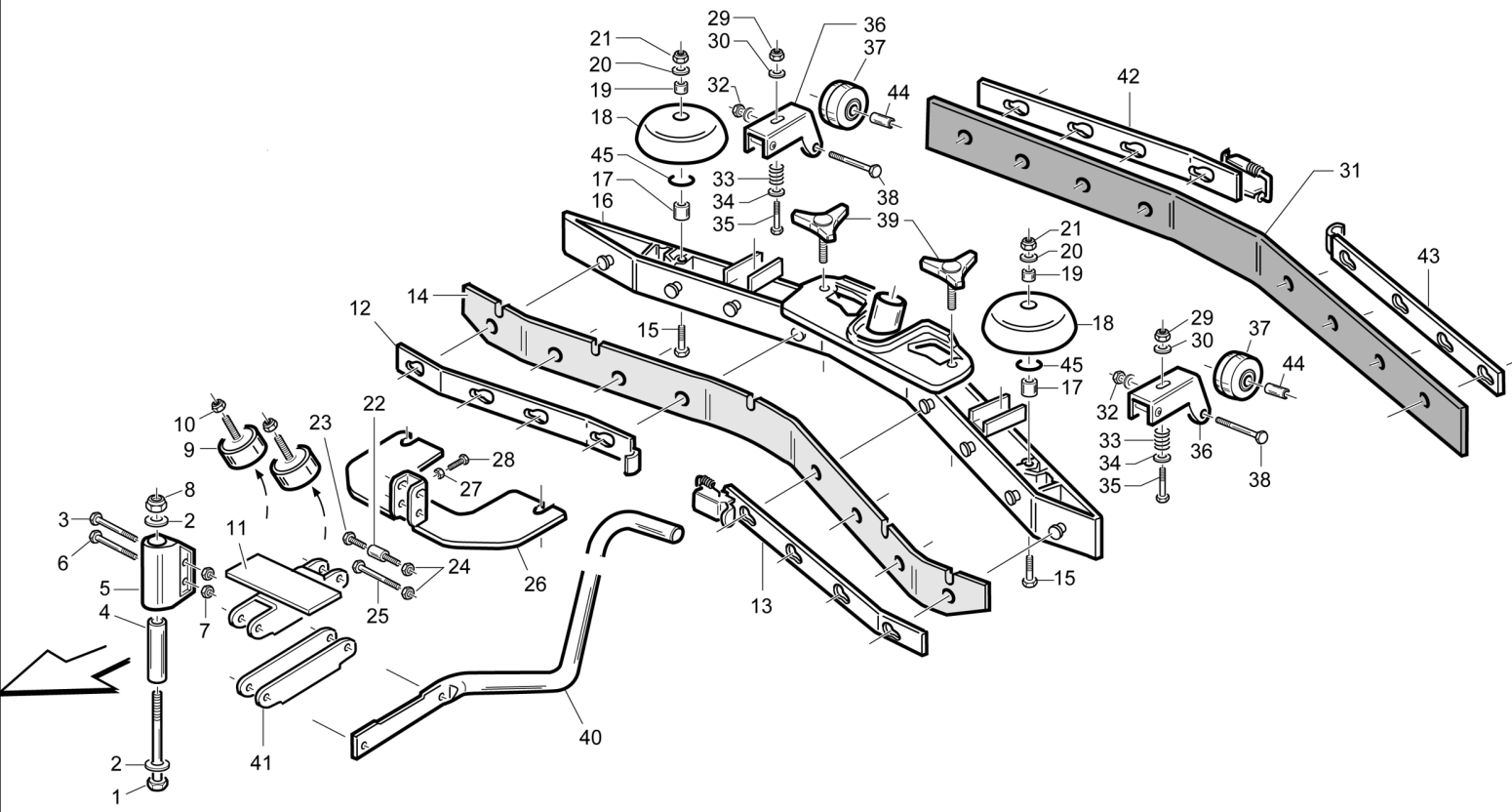
| Ref. | K | Part N. | Customer Part N. | Description | Qty | Validity: | | Price |
|------|---|-----------|------------------|--------------------------------|------|-----------|---------|-------|
| | | | | | | From | To | |
| 0001 | | MPVR05396 | | HOOD CT25 | 1,00 | | 11/2008 | -- |
| 0001 | | MPVR05467 | | HOOD GANSY | 1,00 | 12/2008 | | -- |
| 0002 | | VTDD48188 | | NUT M 6 CIE. INX A2 UNI 5721 | 4,00 | | | -- |
| 0003 | | VTRS13945 | | WASHER D. 6X18 INX UNI 6593 | 8,00 | | | -- |
| 0004 | | CEVR85332 | | HINGE MEB F D.6 TK | 2,00 | | | -- |
| 0005 | | VTVT00717 | | SCREW TCEI M. 6-16 | 8,00 | | | -- |
| 0006 | | VTDD01694 | | NUT M6 INOX | 4,00 | | | -- |
| 0007 | | VTVT00043 | | SCREW AUTOF.LEGNO 4,5X25 TS BR | 6,00 | | | -- |
| 0008 | | MPVR46988 | | CLIP LAV. SHK | 3,00 | | | -- |
| 0009 | | VTVR00485 | | BOSS 8X50 | 1,00 | | | -- |
| 0010 | | VTVR00485 | | BOSS 8X50 | 1,00 | | | -- |
| 0011 | | SPPV01231 | | BRUSH CT25 | 1,00 | | 02/2009 | -- |
| 0011 | | SPPV01239 | | BRUSH D.450 | 1,00 | 02/2009 | | -- |
| 0012 | | MPVR05378 | | FRAME CT25 | 1,00 | | | -- |
| 0013 | | TBFX00316 | | TUBE CT25 | 1,00 | | | -- |
| 0014 | | TBFX00317 | | TUBE CT25 | 1,00 | | | -- |
| 0015 | | MPVR05354 | | COVER CT25 | 1,00 | | | -- |
| 0016 | | MPVR05397 | | MOUSSE CT25 | 1,00 | | | -- |
| 0017 | | MPVR05457 | | TANK CT25 | 1,00 | | | -- |
| 0018 | | VTDD15925 | | NUT M 4 INX | 1,00 | | | -- |
| 0019 | | VTRS15913 | | WASHER D. 4 GROVER A2 UNI1751 | 1,00 | | | -- |
| 0020 | | MPVR05240 | | RING NUT G1/2 | 1,00 | | | -- |
| 0021 | | LAFN06724 | | PIN CT25 | 1,00 | | | -- |
| 0022 | | MPVR05357 | | FLOATER CT25 | 1,00 | | | -- |
| 0023 | | VTRS00251 | | WASHER 4-16 INOX A2 | 1,00 | | | -- |
| 0024 | | VTVT21096 | | SCREW TE M 4X 10 INX | 1,00 | | | -- |
| 0025 | | FTAC48857 | | FILTER ASP. ACQUA SERB. LAVAP. | 1,00 | | | -- |
| 0026 | | GUGO00267 | | GASKET FILTRO | 1,00 | | | -- |
| 0027 | | MPVR05341 | | COVER CT25 | 1,00 | | | -- |
| 0028 | | MPVR05358 | | MOUSSE CT25 | 1,00 | | | -- |
| 0029 | | MPVR05458 | | BASKET LT.25 | 1,00 | | | -- |
| 0030 | | FTAC00001 | | FILTER 1/2" | 1,00 | | | -- |
| 0031 | | RCVR00094 | | CURVE 90° 1/2" F/F | 1,00 | | | -- |
| 0032 | | RCVR00113 | | NIPPLE M-M 1/2"-D.13 | 1,00 | | | -- |
| 0033 | | TBFX00319 | | TUBE | 1,00 | | | -- |
| 0034 | | FSVR00096 | | CLAMP 10-16 INOX | 4,00 | | | -- |
| 0035 | | VTVT48694 | | SCREW TCB TC 5 X12 UNI 9707 TZ | 2,00 | | | -- |
| 0036 | | MLML00002 | | SPRING PRESTOLA DOPPIA 8P | 2,00 | | | -- |
| 0037 | | MEEV00031 | | SOLENOID VALVE | 1,00 | | | -- |



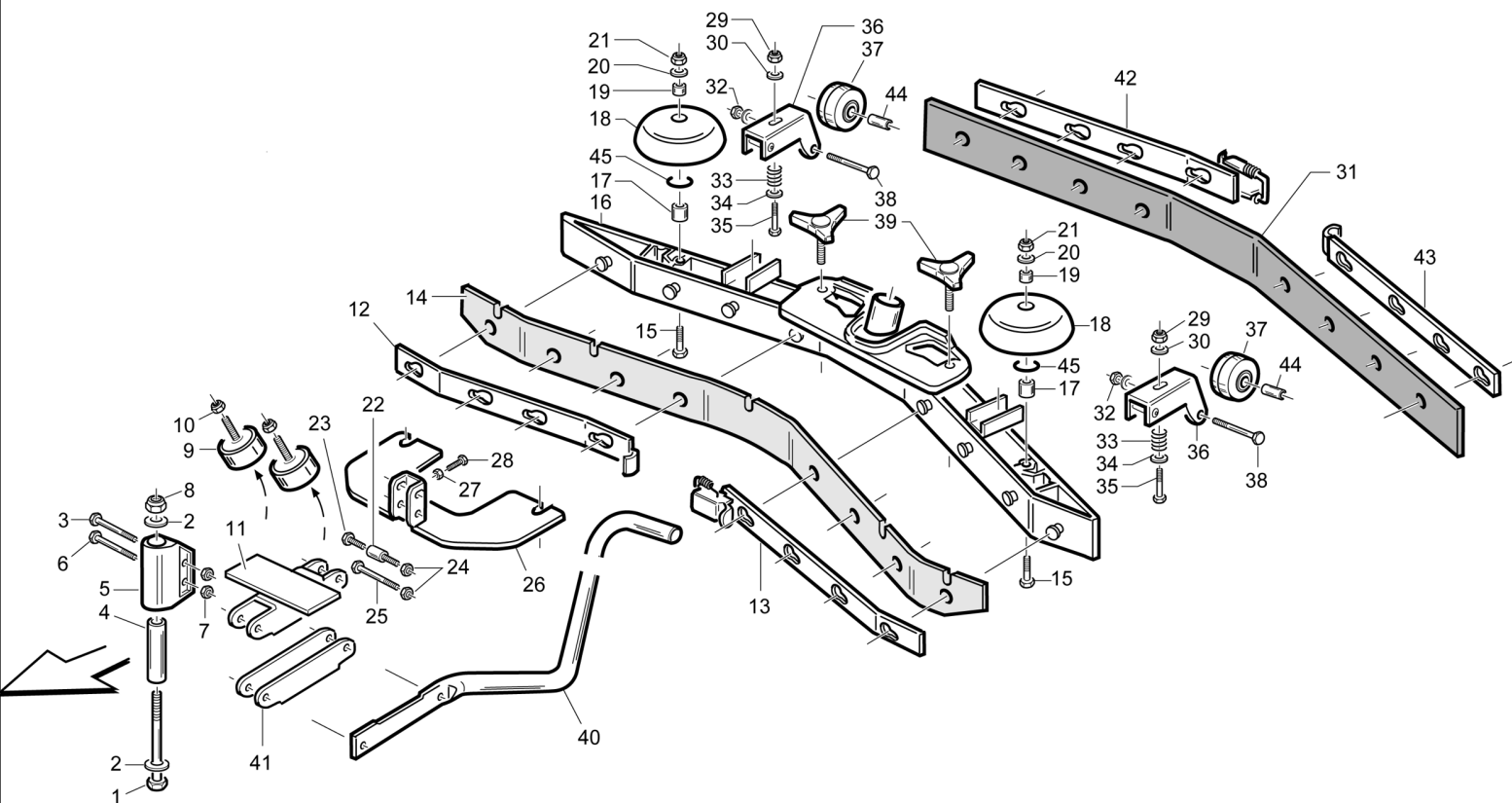
| Ref. K | Part N. | Customer Part N. | Description | Qty | Validity: | | Price |
|--------|-----------|------------------|------------------|------|-----------|----|-------|
| | | | | | From | To | |
| 0038 | TBFX00321 | | TUBE | 1,00 | | | -- |
| 0039 | RCVR00104 | | JOINT 1/2" | 1,00 | | | -- |
| 0040 | RCVR00104 | | JOINT 1/2" | 1,00 | | | -- |
| 0041 | RCVR00103 | | JOINT R 1/2" | 1,00 | | | -- |
| 0042 | RCGR00078 | | TAP - | 1,00 | | | -- |
| 0043 | GUGO00427 | | GASKET - | 1,00 | | | -- |
| 0044 | RCVR00752 | | CONNECTOR G1/2"G | 1,00 | | | -- |
| 0045 | TBFX00320 | | TUBE | 1,00 | | | -- |
| 0046 | LAFN06956 | | FLANGE - | 1,00 | 12/2008 | | -- |



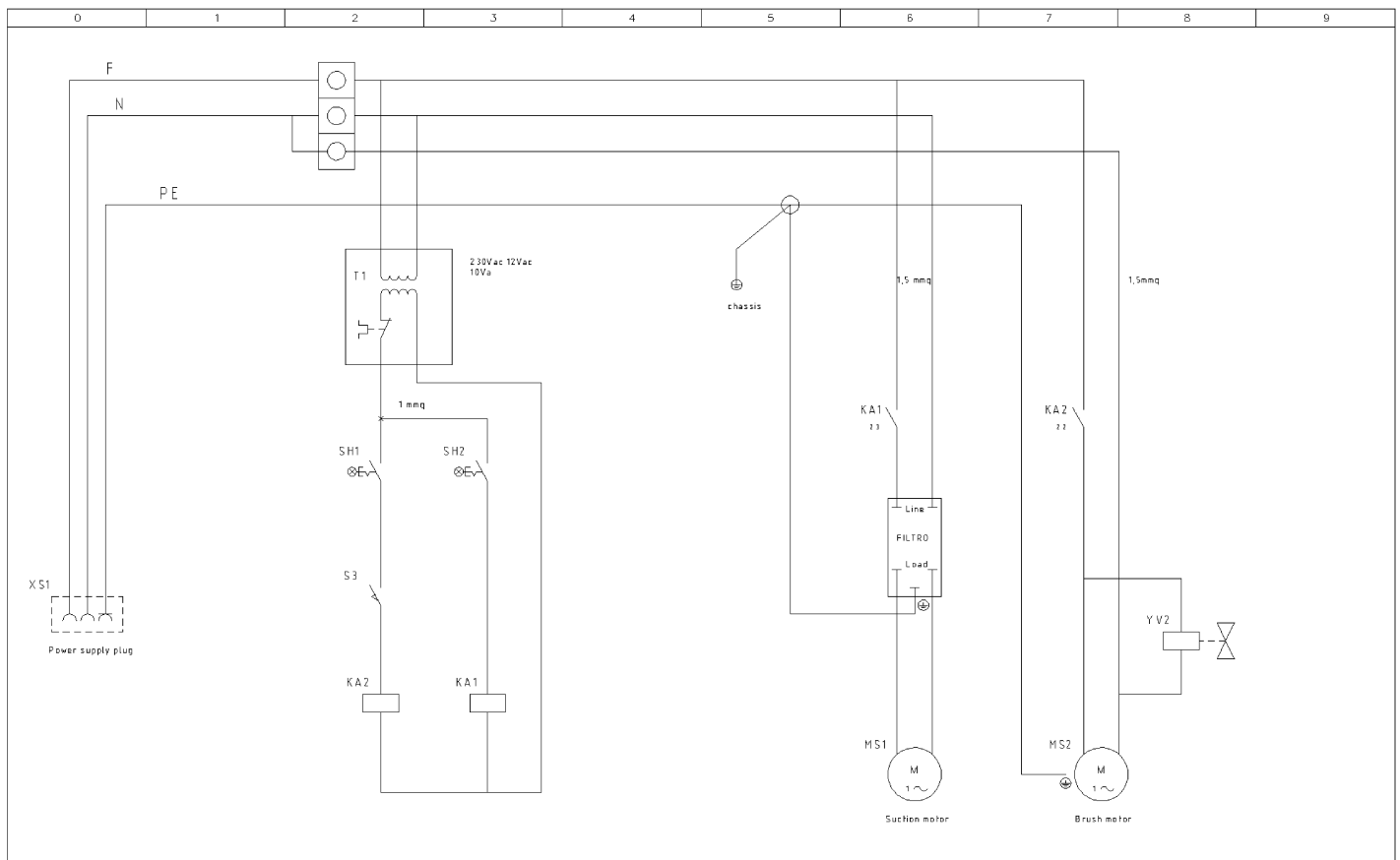
| Ref. | K | Part N. | Customer Part N. | Description | Qty | Validity: | | Price |
|------|---|-----------|------------------|------------------------------|------|-----------|---------|-------|
| | | | | | | From | To | |
| 0001 | | VTVT00474 | | SCREW TSCE uni 5933 4x12 ZB | 4,00 | | | -- |
| 0002 | | VTRS00119 | | WASHER UN.SCREWBLACK | 4,00 | | | -- |
| 0003 | | MECI00346 | | SWITCH TTR/L BIP. 24V | 2,00 | | | -- |
| 0004 | | MECB01067 | | WIRING LED CT25 | 1,00 | | | -- |
| 0005 | | ETET01585 | | LABEL CT25 | 1,00 | | | -- |
| 0006 | | VTVR00552 | | SPACER - | 4,00 | | | -- |
| 0007 | | MERL00010 | | SWITCH RELAY 12V | 1,00 | | | -- |
| 0008 | | MERL00011 | | SWITCH RELAY 12V | 1,00 | | | -- |
| 0009 | | MECI00542 | | TRANSFORMER 230/12V | 1,00 | | | -- |
| 0010 | | MECE31132 | | FILTER LC LAVAM. FL. | 1,00 | | | -- |
| 0011 | | MEVR01111 | | BOARD HOLDER | 1,00 | | | -- |
| 0012 | | LAFN06870 | | PLATE CT25 | 1,00 | | | -- |
| 0013 | | VTVR01679 | | SPACER H60 | 2,00 | | | -- |
| 0014 | | MPVR05350 | | CONTAINER CT25 | 1,00 | | | -- |
| 0015 | | VTDD00481 | | NUT M4 INOX | 2,00 | | | -- |
| 0016 | | MECB01063 | | CABLE ALIMENTAZIONE | 1,00 | | | -- |
| 0017 | | VTVT15143 | | SCREW TE 6X16 UNI5739 | 3,00 | | | -- |
| 0018 | | VTRS15144 | | WASHER D. 6 INX GRW UNI 1751 | 3,00 | | | -- |
| 0019 | | VTVR00550 | | SPACER - | 3,00 | | | -- |
| 0020 | | MPVR35582 | | RUBBER LAV. | 3,00 | | | -- |
| 0021 | | VTRS13945 | | WASHER D. 6X18 INX UNI 6593 | 6,00 | | | -- |
| 0022 | | VTVT15143 | | SCREW TE 6X16 UNI5739 | 3,00 | | | -- |
| 0023 | | MFVR00134 | | DRIVE DISK SPAZZOLE | 1,00 | | | -- |
| 0025 | | VTVT15143 | | SCREW TE 6X16 UNI5739 | 3,00 | | | -- |
| 0026 | | MOMO00234 | | MOTOR 230V | 1,00 | | | -- |
| 0027 | | MOMO00233 | | MOTOR 230V | 1,00 | | | -- |
| 0028 | | KTRI01795 | | TUBE CT25 | 1,00 | | | -- |
| 0029 | | VTRS15144 | | WASHER D. 6 INX GRW UNI 1751 | 3,00 | | | -- |
| 0030 | | RCVR00543 | | CONNECTOR A GOMITO | 1,00 | | 10/2009 | -- |
| 0030 | | RCVR00761 | | HOSE FITTING A GOMITO | 1,00 | 10/2009 | | -- |
| 0031 | | VTVT13939 | | SCREW TE 6X20 UNI5739 INX | 1,00 | | | -- |
| 0032 | | VTRS00515 | | WASHER D. 4 INX | 4,00 | | | -- |
| 0033 | | GUGO00285 | | GASKET TK1320048 | 0,13 | | | -- |
| 0034 | | MEVR00370 | | CLAMP 44mm - 47,5mm | 1,00 | 07/2008 | | -- |
| 0035 | | VTRS00245 | | WASHER D.6 UNI 6592 INOX | 4,00 | 11/2008 | | -- |
| 0036 | | VTVT21887 | | SCREW TCB-TC 4X10 8112 | 1,00 | 10/2009 | | -- |
| 0037 | | VTRS00515 | | WASHER D. 4 INX | 1,00 | 10/2009 | | -- |
| 0038 | | FSVR00099 | | CLAMP FERMATUBO | 1,00 | 10/2009 | | -- |



| Ref. | K | Part N. | Customer Part N. | Description | Qty | Validity: | | Price |
|------|---|-----------|------------------|------------------------------------|------|-----------|---------|-------|
| | | | | | | From | To | |
| 0001 | | VTVT01680 | | SCREW TE M 10X110 | 1,00 | | | -- |
| 0002 | | VTRS15523 | | WASHER D.10 X21 INOX UNI 6592 | 2,00 | | | -- |
| 0003 | | VTVT15142 | | SCREW TE M 6x45 INOX | 1,00 | | | -- |
| 0004 | | LAFN06767 | | BUSHING CT25 | 1,00 | | | -- |
| 0005 | | MPVR04734 | | BLOCK TERGI | 1,00 | | | -- |
| 0006 | | VTVT15145 | | SCREW TE 6X40 UNI5739 INX | 1,00 | | | -- |
| 0007 | | VTDD01694 | | NUT M6 INOX | 2,00 | | | -- |
| 0008 | | VTDD10310 | | NUT AUTOBL.M10 INOX DIN 985 | 1,00 | | | -- |
| 0009 | | MEVR01961 | | CLAMP SM08.3015 | 2,00 | | 10/2008 | -- |
| 0009 | | MEVR01968 | | CLAMP SM08.3015-A 250N | 2,00 | 10/2008 | | -- |
| 0010 | | VTDD01693 | | NUT M 5 INX | 2,00 | | | -- |
| 0011 | | LAFN06707 | | PLATE CT25 | 1,00 | | | -- |
| 0012 | | LAFN51043 | | LAMINATION BLOCCA LAMA ANTER.DX XS | 1,00 | | | -- |
| 0013 | | LAFN51042 | | LAMINATION BLOCCA LAMA ANTER.SX XS | 1,00 | | | -- |
| 0014 | | MPVR51017 | | BLADE ANTER.TERGI XS | 1,00 | | | -- |
| 0015 | | VTVT17342 | | SCREW TE M 6X 60 UNI 5739 INX | 2,00 | | | -- |
| 0016 | | KTRI02051 | | BODY SQUEEGEE PRESSOFUSO "XS" | 1,00 | | | -- |
| 0017 | | LAFN04100 | | SPACER PER RUOTINO PARACOLPI | 2,00 | | | -- |
| 0018 | | RTRT43370 | | CASTER D.100 2V. | 2,00 | | | -- |
| 0019 | | MPVR49229 | | BUSHING SHK | 2,00 | | | -- |
| 0020 | | VTRS00245 | | WASHER D.6 UNI 6592 INOX | 2,00 | | | -- |
| 0021 | | VTDD01694 | | NUT M6 INOX | 2,00 | | | -- |
| 0022 | | LAFN03742 | | SPACER SILENZIATORE | 1,00 | | | -- |
| 0023 | | VTVT15142 | | SCREW TE M 6x45 INOX | 1,00 | | | -- |
| 0024 | | VTDD01694 | | NUT M6 INOX | 2,00 | | | -- |
| 0025 | | VTVT15145 | | SCREW TE 6X40 UNI5739 INX | 1,00 | | | -- |
| 0026 | | LAFN06706 | | PLATE CT25 | 1,00 | | | -- |
| 0027 | | VTDD15521 | | NUT M 8 INX A2 UNI 5588 | 1,00 | | | -- |
| 0028 | | VTVT15907 | | SCREW TE 8X25 UNI5739 INX | 1,00 | | | -- |
| 0029 | | VTDD01695 | | NUT M 8 INX | 2,00 | | | -- |
| 0030 | | VTRS13947 | | WASHER D. 8 INX UNI 6592 | 2,00 | | | -- |
| 0031 | | MPVR51016 | | BLADE POST.TERGI XS | 1,00 | | | -- |
| 0032 | | VTDD01694 | | NUT M6 INOX | 2,00 | | | -- |
| 0033 | | MLML49422 | | SPRING D.15X 45 X1 | 2,00 | | | -- |
| 0034 | | VTRS13947 | | WASHER D. 8 INX UNI 6592 | 2,00 | | | -- |
| 0035 | | VTVT01304 | | SCREW M 8X 40 TTQST UNI 5731 | 2,00 | | | -- |
| 0036 | | LAFN05559 | | SUPPORT RUOTINO | 2,00 | | | -- |
| 0037 | | RTRT49413 | | WHEEL D. 60-D.15 X36 NYL. | 2,00 | | | -- |
| 0038 | | VTVT15515 | | SCREW TE M 6X 50 INOX A2 | 2,00 | | | -- |

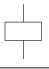
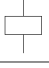










| Ref. | K | Part N. | Customer Part N. | Description | Qty | Validity: | | Price |
|------|---|-----------|------------------|-----------------------------------|------|-----------|----|-------|
| | | | | | | From | To | |
| 0039 | | MPVR05265 | | KNOB 8X25 | 2,00 | | | -- |
| 0040 | | LAFN06701 | | TUBE - | 1,00 | | | -- |
| 0041 | | LAFN05853 | | LEVER ARM SOLLEVAMENTO TERGI | 1,00 | | | -- |
| 0042 | | LAFN51041 | | LAMINATION BLOCCA LAMA POST.DX XS | 1,00 | | | -- |
| 0043 | | LAFN51040 | | LAMINATION BLOCCA LAMA POST.SX XS | 1,00 | | | -- |
| 0044 | | LAFN04041 | | SPACER D6/15 | 2,00 | | | -- |
| 0045 | | GUGO00164 | | GASKET | 2,00 | 09/2009 | | -- |



| | | | | | | | | |
|----------|----------|---|-----------|---------------|---------------------------|-----------|--|--------|
| | | | Dis. N. | Impianto | Wiring diagram cable CT25 | Ordine | | FOGLIO |
| | | | C.A.D. | | | Commissa | | 2 |
| Sorgente | 26-02-08 | 0 | Nome File | Denominazione | PLDC01594 | Esecutore | | SEGUE |
| | | | Data | | | | | |

| Ref. | K | Part N. | Customer Part N. | Description | Qty | Validity: | From | To | Price |
|------|---|-----------|------------------|-----------------------|------|-----------|------|----|-------|
| KA1 | | MERL00010 | | SWITCH RELAY 12V | 1,00 | | | | -- |
| KA2 | | MERL00011 | | SWITCH RELAY 12V | 1,00 | | | | -- |
| MS1 | | MOMO00233 | | MOTOR 230V | 1,00 | | | | -- |
| MS2 | | MOMO00234 | | MOTOR 230V | 1,00 | | | | -- |
| S3 | | MEVR01732 | | HANDLE CT25 | 1,00 | | | | -- |
| SH1 | | MECI00346 | | SWITCH TTR/L BIP. 24V | 1,00 | | | | -- |
| SH2 | | MECI00346 | | SWITCH TTR/L BIP. 24V | 1,00 | | | | -- |
| T1 | | MECI00542 | | TRANSFORMER 230/12V | 1,00 | | | | -- |
| YV2 | | MEEV00029 | | SOLENOID VALVE | 1,00 | | | | -- |

| 0 | 1 | 2 | 3 | 4 | 5 | 6 | 7 | 8 | 9 |
|---|-----------------|---------------------|---|---|---|---|---|---|---|
|  | KA1 =0G 2 | Suction relè | | | | | | | |
|  | KA2 =0G 2 | Brush relè | | | | | | | |
|  | MS1 =0G 2 | Suction motor | | | | | | | |
|  | MS2 =0G 2 | Brush motor | | | | | | | |
|  | S3 =0G 2 | Start brush command | | | | | | | |
|  | SH1 =0G 2 | Brush button | | | | | | | |
|  | SH2 =0G 2 | Suction button | | | | | | | |
|  | T1 =0G 2 | Tension regulator | | | | | | | |
|  | XS1 =0G 2 | Power supply plug | | | | | | | |
|  | YV2 =0G 2 | Electrovalve | | | | | | | |

| | | | |
|--|---------------|-----------|----------------------|
| Dis. N. | Impianto | Ordine | FOGLIO 3 SEGUE |
| C AD <input type="text" value="SPAC"/> | Denominazione | Commessa | |
| Nome File | | Esecutore | |
| Data | | | |

| Ref. K | Part N. | Customer Part N. | Description | Qty | Validity: From To | Price |
|--------|-----------|------------------|-----------------------|------|----------------------|-------|
| KA1 | MERL00010 | | SWITCH RELAY 12V | 1,00 | | -- |
| KA2 | MERL00011 | | SWITCH RELAY 12V | 1,00 | | -- |
| MS1 | MOMO00233 | | MOTOR 230V | 1,00 | | -- |
| MS2 | MOMO00234 | | MOTOR 230V | 1,00 | | -- |
| S3 | MEVR01732 | | HANDLE CT25 | 1,00 | | -- |
| SH1 | MECI00346 | | SWITCH TTR/L BIP. 24V | 1,00 | | -- |
| SH2 | MECI00346 | | SWITCH TTR/L BIP. 24V | 1,00 | | -- |
| T1 | MECI00542 | | TRANSFORMER 230/12V | 1,00 | | -- |
| YV2 | MEEV00029 | | SOLENOID VALVE | 1,00 | | -- |