



**IPC Integrated Professional Cleaning**

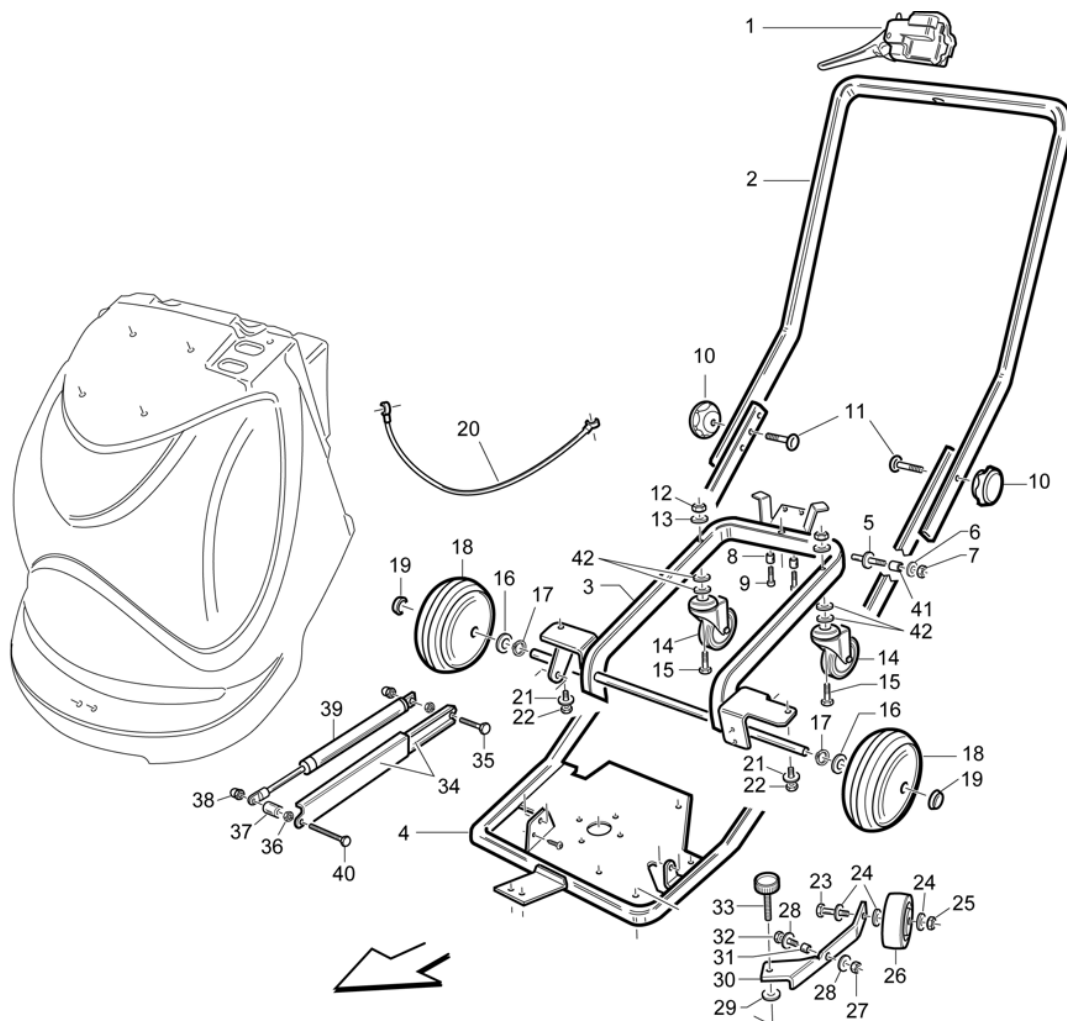
**IPC Gansow**

## Spare Parts List

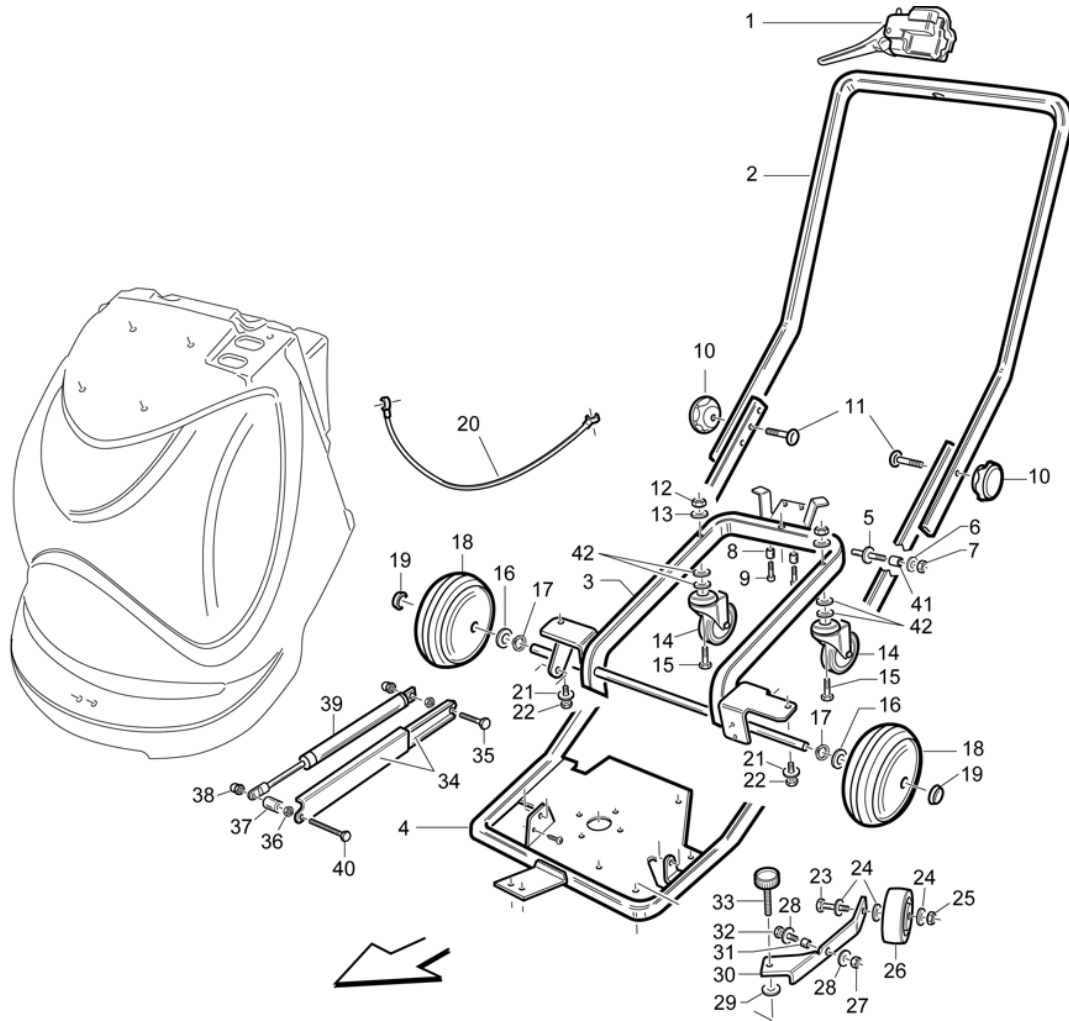
TAVERNARO AG

Ref: LPTB01194

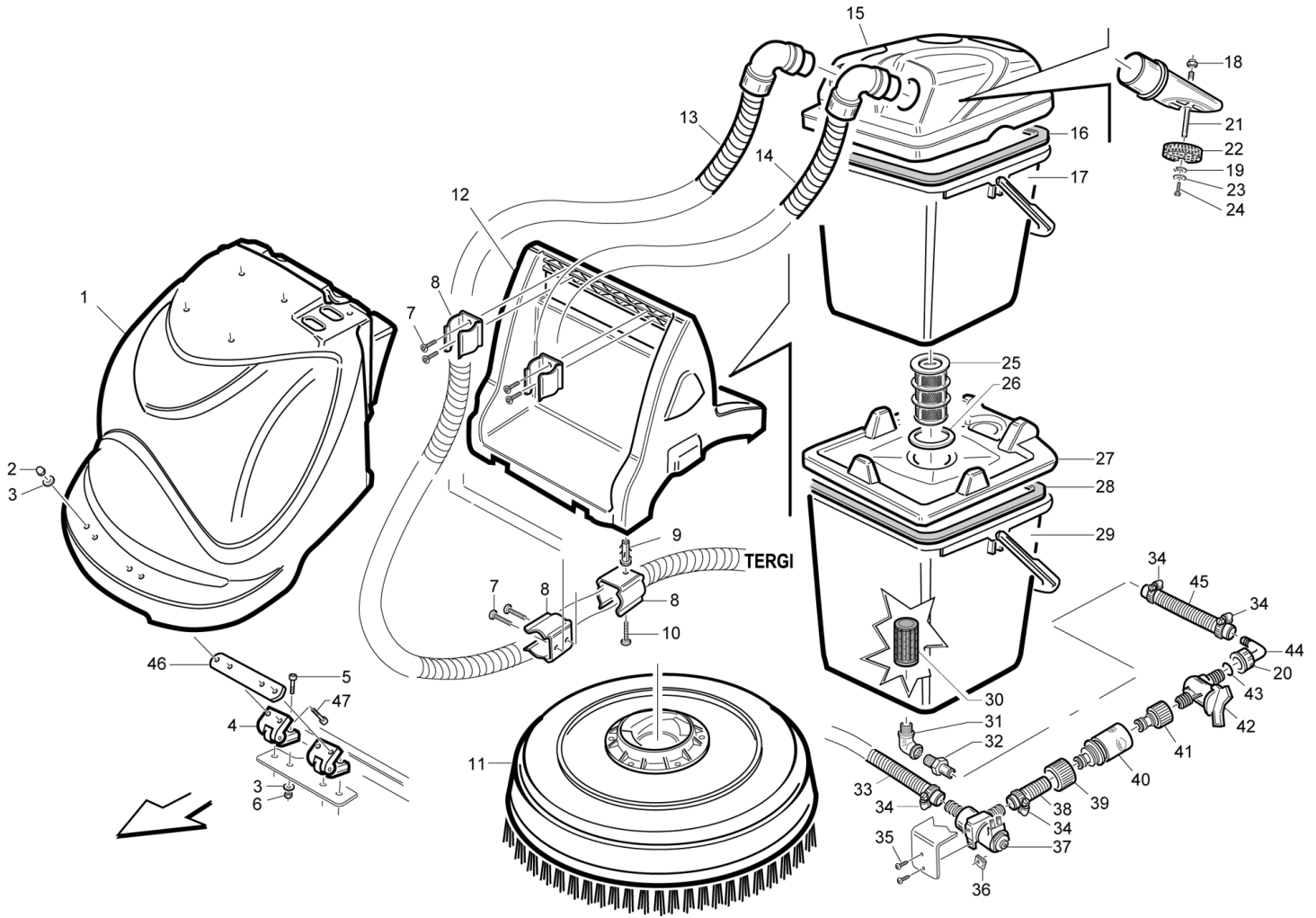
Model: LAVASCIUGA GANSY B + CB +BATT. IPC



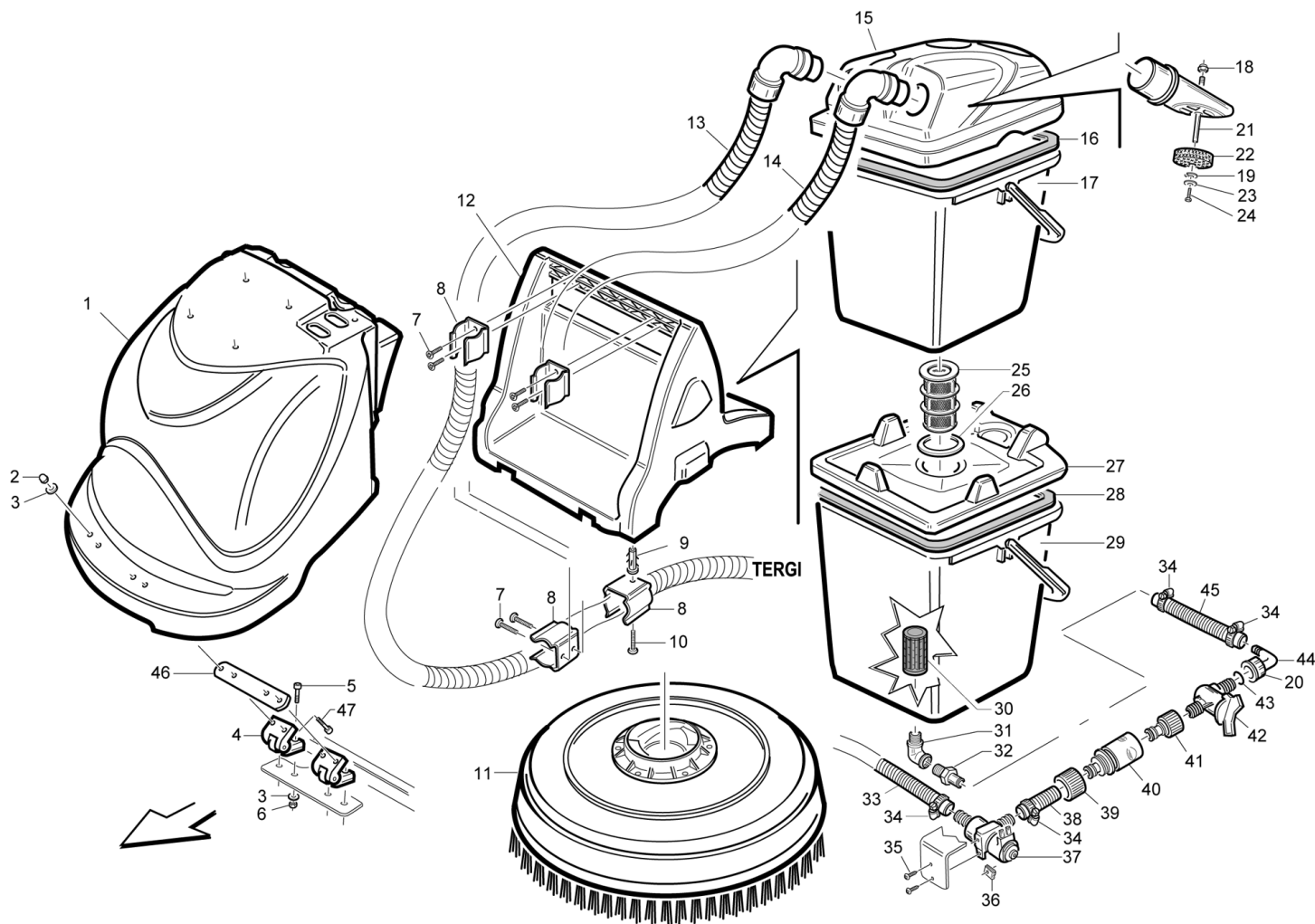
Ref.	K	Part N.	Customer Part N.	Description	Qty	Validity:		Price
						From	To	
0001		MEVR01732		HANDLE CT25	1,00			--
0002		LAFN06702		TUBE -	1,00			--
0003		LAFN06704		TUBE CT25	1,00			--
0004		LAFN06705		FRAME CT25	1,00			--
0005		LAFN06710		PIN CT25	2,00			--
0006		VTRS13946		WASHER D. 8 X24 INX UNI 6593	2,00			--
0007		VTDD01695		NUT M 8 INX	2,00			--
0008		LAFN04067		BUSHING PER CAVETTO	2,00			--
0009		VTVT17720		SCREW TCEI M 5X16 INOX	2,00			--
0010		MPVR05374		KNOB CT25	2,00			--
0011		VTVT01143		SCREW TTQDE M8X35	2,00			--
0012		VTDD10310		NUT AUTOBL.M10 INOX DIN 985	2,00			--
0013		VTRS15523		WASHER D.10 X21 INOX UNI 6592	2,00			--
0014		RTRT00513		WHEEL 2870	2,00			--
0015		VTVT01679		SCREW TCEI M 10X50	2,00			--
0016		VTRS09142		WASHER D.12 X 36	2,00			--
0017		VTAE00051		CIRCLIP X ALBERO D. 12 U7435 INX	2,00			--
0018		RTRT00039		WHEEL POSTERIORE	2,00			--
0019		VTVR00305		WASHER DI FERMO DIAMETRO 12	2,00			--
0020		CMCV00353		CABLE CT25	1,00			--
0021		VTRS15523		WASHER D.10 X21 INOX UNI 6592	2,00			--
0022		VTVT00715		SCREW TE M.10-35	2,00			--
0023		VTVT00836		SCREW TE M12-60 INOX	1,00			--
0024		VTRS15978		WASHER D.12X24 UNI 6592 INX	2,00			--
0025		VTDD00176		NUT M.12 INOX A2 BASSO AUTOB.	1,00			--
0026		RTRT49171		CASTER D. 80-12	1,00			--
0027		VTDD19689		CARRYNG BAG	1,00			--
0028		VTRS13947		WASHER D. 8 INX UNI 6592	2,00			--
0029		VTRS00374		KNOB -	1,00			--
0030		LAFN06703		BRACKET -	1,00			--
0031		RCDS34717		BUSHING D. 9X12X 8.3	1,00			--
0032		VTVT15907		SCREW TE 8X25 UNI5739 INX	1,00			--
0033		MPVR05375		KNOB CT25	1,00			--
0034		LAFN01252		ARM FRONT	1,00			--
0035		VTVT13939		SCREW TE 6X20 UNI5739 INX	1,00			--
0036		VTDD01694		NUT M6 INOX	1,00			--
0037		LAFN03742		SPACER SILENZIATORE	1,00			--
0038		VTDD48188		NUT M 6 CIE. INX A2 UNI 5721	1,00			--
0039		MLML00314		SPRING -	1,00			--



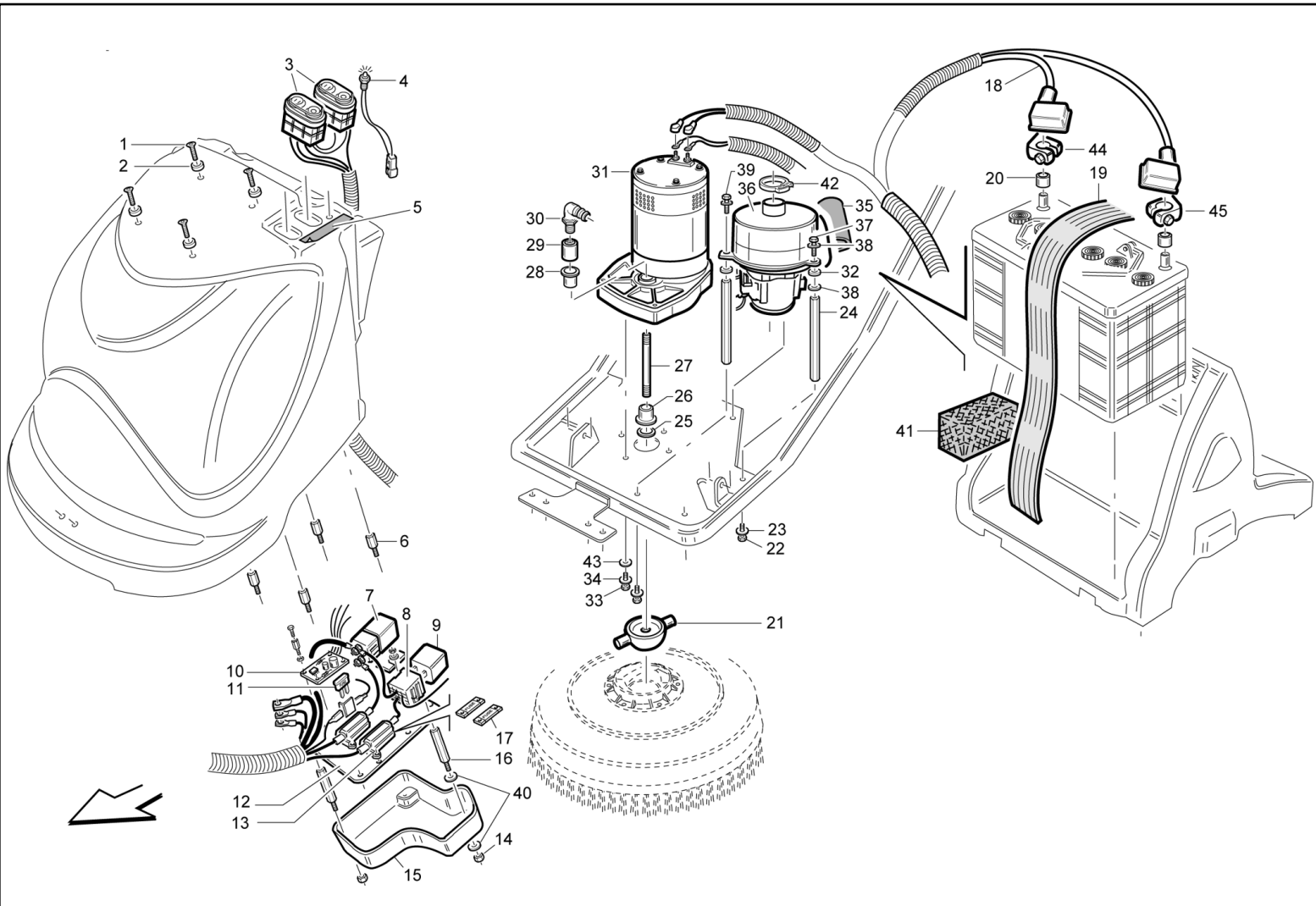
Ref. K	Part N.	Customer Part N.	Description	Qty	Validity:		Price
					From	To	
0040	VTVT00392		SCREW M6x35 UNI5739 inox	1,00			--
0041	LAFN06711		BUSHING CT25	2,00			--
0042	VTRS15978		WASHER D.12X24 UNI 6592 INX	4,00			--



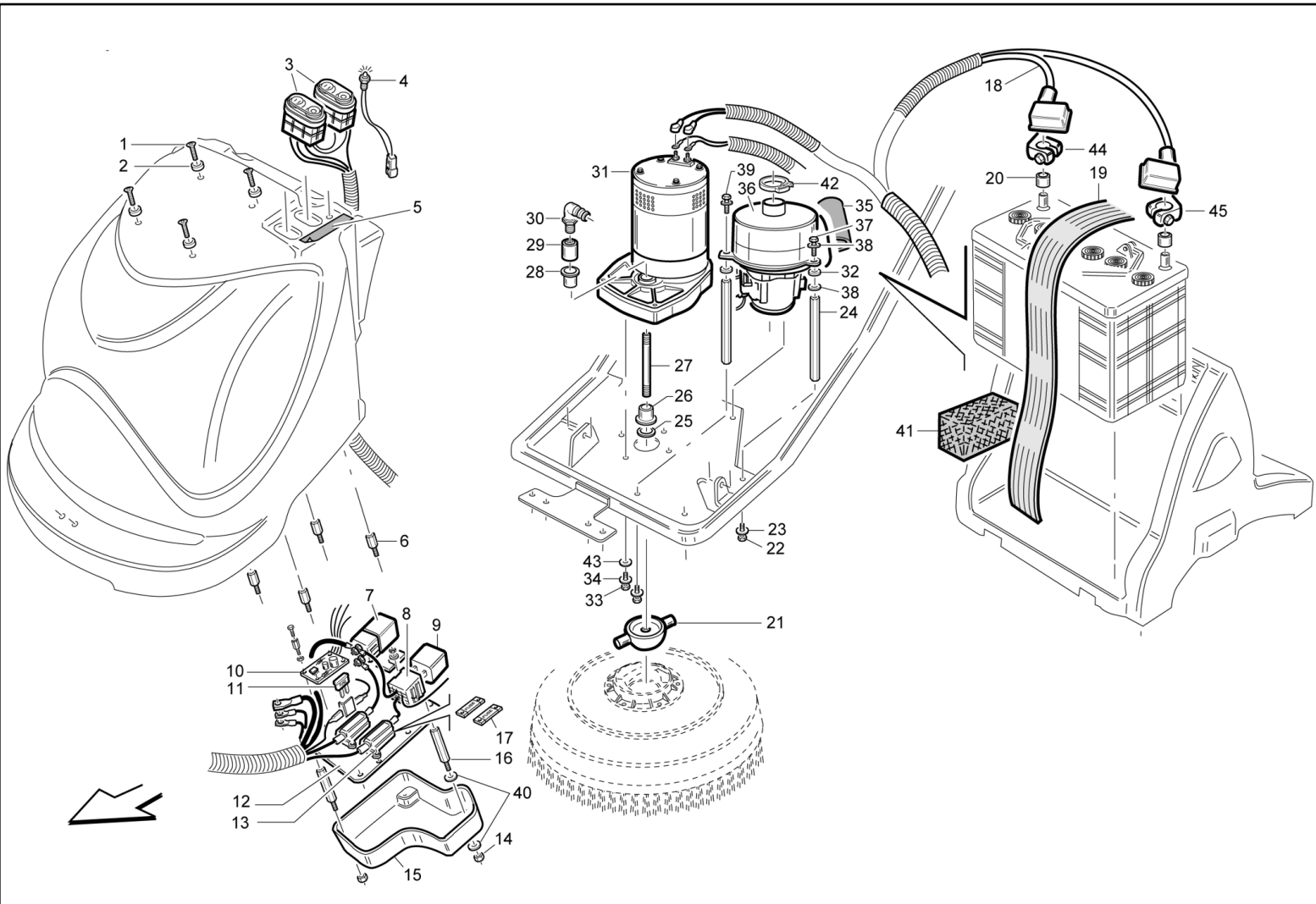
Ref.	K	Part N.	Customer Part N.	Description	Qty	Validity:		Price
						From	To	
0001		MPVR05340		HOOD CT25	1,00		11/2008	--
0001		MPVR05466		HOOD GANSY	1,00	12/2008		--
0002		VTDD48188		NUT M 6 CIE. INX A2 UNI 5721	4,00			--
0003		VTRS13945		WASHER D. 6X18 INX UNI 6593	8,00			--
0004		CEVR85332		HINGE MEB F D.6 TK	2,00			--
0005		VTVT00717		SCREW TCEI M. 6-16	4,00			--
0006		VTDD01694		NUT M6 INOX	4,00			--
0007		VTVT00043		SCREW AUTOF.LEGNO 4,5X25 TS BR	6,00			--
0008		MPVR46988		CLIP LAV. SHK	3,00			--
0009		VTVR00485		BOSS 8X50	1,00			--
0010		VTVR00485		BOSS 8X50	1,00			--
0011		SPPV01231		BRUSH CT25	1,00		02/2009	--
0011		SPPV01239		BRUSH D.450	1,00	02/2009		--
0012		MPVR05378		FRAME CT25	1,00			--
0013		TBFX00316		TUBE CT25	1,00			--
0014		TBFX00317		TUBE CT25	1,00			--
0015		MPVR05354		COVER CT25	1,00			--
0016		MPVR05397		MOUSSE CT25	1,00			--
0017		MPVR05457		TANK CT25	1,00			--
0018		VTDD15925		NUT M 4 INX	1,00			--
0019		VTRS15913		WASHER D. 4 GROVER A2 UNI1751	1,00			--
0020		MPVR05240		RING NUT G1/2	1,00			--
0021		LAFN06724		PIN CT25	1,00			--
0022		MPVR05357		FLOATER CT25	1,00			--
0023		VTRS00251		WASHER 4-16 INOX A2	1,00			--
0024		VTVT21096		SCREW TE M 4X 10 INX	1,00			--
0025		FTAC48857		FILTER ASP. ACQUA SERB. LAVAP.	1,00			--
0026		GUGO00267		GASKET FILTRO	1,00			--
0027		MPVR05341		COVER CT25	1,00			--
0028		MPVR05358		MOUSSE CT25	1,00			--
0029		MPVR05458		BASKET LT.25	1,00			--
0030		FTAC00001		FILTER 1/2"	1,00			--
0031		RCVR00094		CURVE 90° 1/2" F/F	1,00			--
0032		RCVR00113		NIPPLE M-M 1/2"-D.13	1,00			--
0033		TBFX00319		TUBE	1,00			--
0034		FSVR00096		CLAMP 10-16 INOX	4,00			--
0035		VTVT48694		SCREW TCB TC 5 X12 UNI 9707 TZ	2,00			--
0036		MLML00002		SPRING PRESTOLA DOPPIA 8P	2,00			--
0037		MEEV00028		SOLENOID VALVE	1,00			--



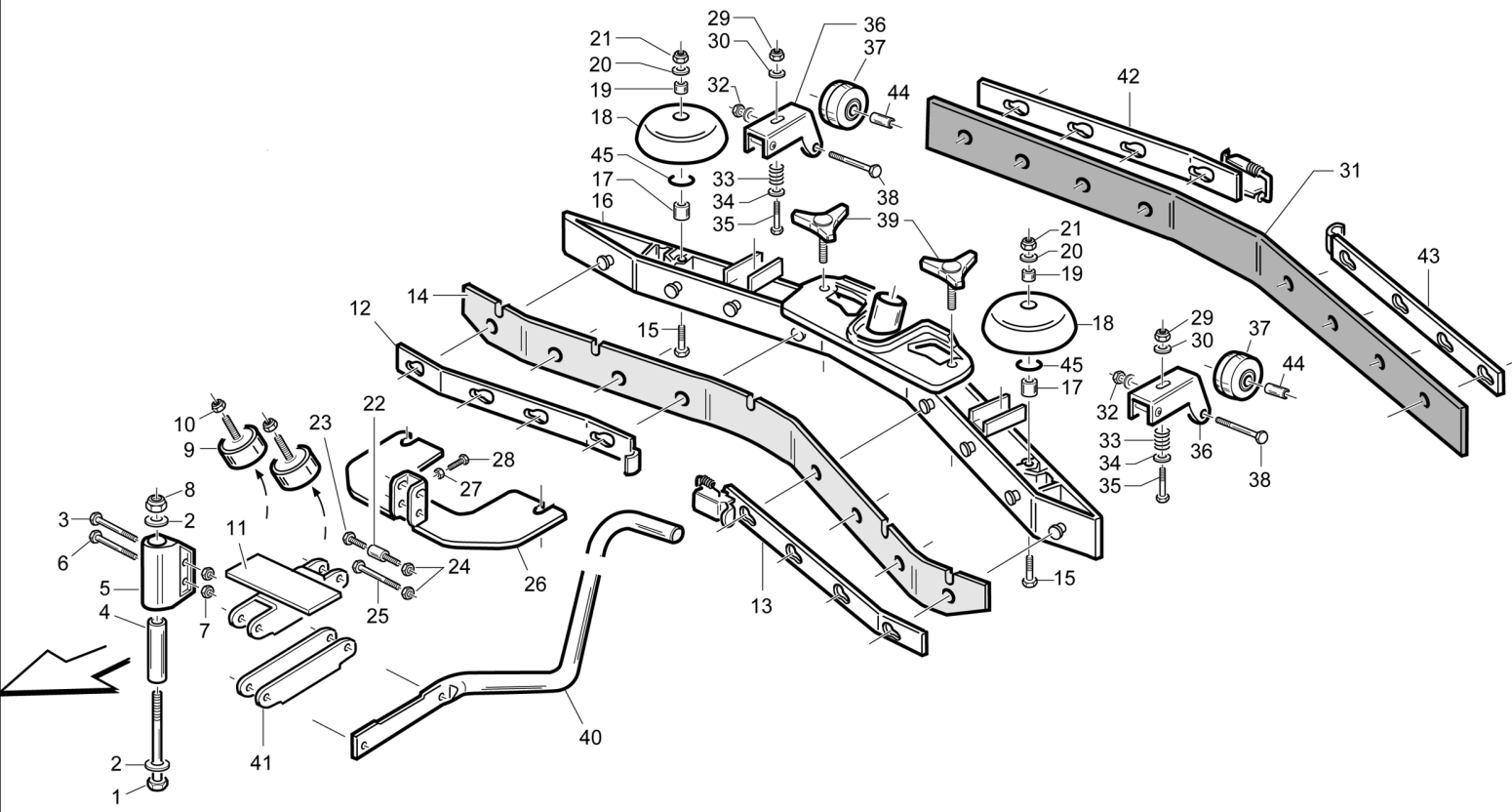
Ref.	K	Part N.	Customer Part N.	Description	Qty	Validity:		Price
						From	To	
0038		TBFX00321		TUBE	1,00			--
0039		RCVR00104		JOINT 1/2"	1,00			--
0040		RCVR00104		JOINT 1/2"	1,00			--
0041		RCVR00103		JOINT R 1/2"	1,00			--
0042		RCGR00078		TAP -	1,00			--
0043		GUGO00427		GASKET -	1,00			--
0044		RCVR00752		CONNECTOR G1/2"G	1,00			--
0045		TBFX00320		TUBE	1,00			--
0046		LAFN06956		FLANGE -	1,00	12/2008		--
0047		VTVT00428		SCREW TCEI 6X20 UNI5931 INX	4,00			--



Ref.	K	Part N.	Customer Part N.	Description	Qty	Validity:		Price
						From	To	
0001		VTVT00474		SCREW TSCE uni 5933 4x12 ZB	4,00			--
0002		VTRS00119		WASHER UN.SCREWBLACK	4,00			--
0003		MECI00346		SWITCH TTR/L BIP. 24V	2,00			--
0004		MECB01067		WIRING LED CT25	1,00			--
0005		ETET01581		LABEL CT25	1,00			--
0006		VTVR00552		SPACER -	4,00			--
0007		METT00080		CONTACTOR E TL 10P 12V 100A	1,00			--
0008		METT00053		BLOCK PORTA RELE'	1,00			--
0009		MECI00408		RELAY FITRE	1,00			--
0010		MECE00473		BOARD CT25	1,00			--
0011		MEVR01133		FUSE 15A 32V	1,00			--
0012		LAFN06870		PLATE CT25	1,00			--
0013		MEVR01332		FUSE-HOLDER	2,00			--
0013		MEVR31036		FUSE-HOLDER	2,00	07/2009	07/2009	--
0014		VTDD00481		NUT M4 INOX	2,00			--
0015		MPVR05350		CONTAINER CT25	1,00			--
0016		VTVR00553		SPACER -	2,00			--
0017		MEVR42990		FUSE 60A NST.	2,00			--
0018		MECB01041		WIRING CT25	1,00			--
0019		MPVR02939		BELT BATTERIA	1,00			--
0020		MEVR01737		KIT -	1,00			--
0021		MFVR00134		DRIVE DISK SPAZZOLE	1,00			--
0022		VTVT15143		SCREW TE 6X16 UNI5739	3,00			--
0023		VTRS15144		WASHER D. 6 INX GRW UNI 1751	3,00			--
0024		VTVR00550		SPACER -	3,00			--
0025		MPVR02997		CLIP ANELLO X PERNO D10	1,00		05/2009	--
0025		VTVR00416		HANDWHEEL M 6MAX110 D.35	1,00	05/2009		--
0026		CUVR43254		BUSHING CB 85 1010 18T	1,00			--
0027		LAFN04202		TUBE SOLUZIONE INOX D10	1,00			--
0028		CUVR43254		BUSHING CB 85 1010 18T	1,00			--
0029		LAFN51028		BUSHING	1,00			--
0030		RCVR45752		HOSE FITTING "L" 3/8M - D.10 PLS.	1,00			--
0031		MOCC00338		MOTOR 12V - 390W	1,00		03/2010	--
0031		MOCC00346		BRUSH -	1,00			--
0031		MOCC00350		MOTOR 12V - 550W	1,00	03/2010		--
0032		MPVR35582		RUBBER LAV.	3,00			--
0033		VTVT15143		SCREW TE 6X16 UNI5739	4,00			--
0034		VTRS15144		WASHER D. 6 INX GRW UNI 1751	4,00			--
0035		KTRIO1795		TUBE CT25	1,00			--

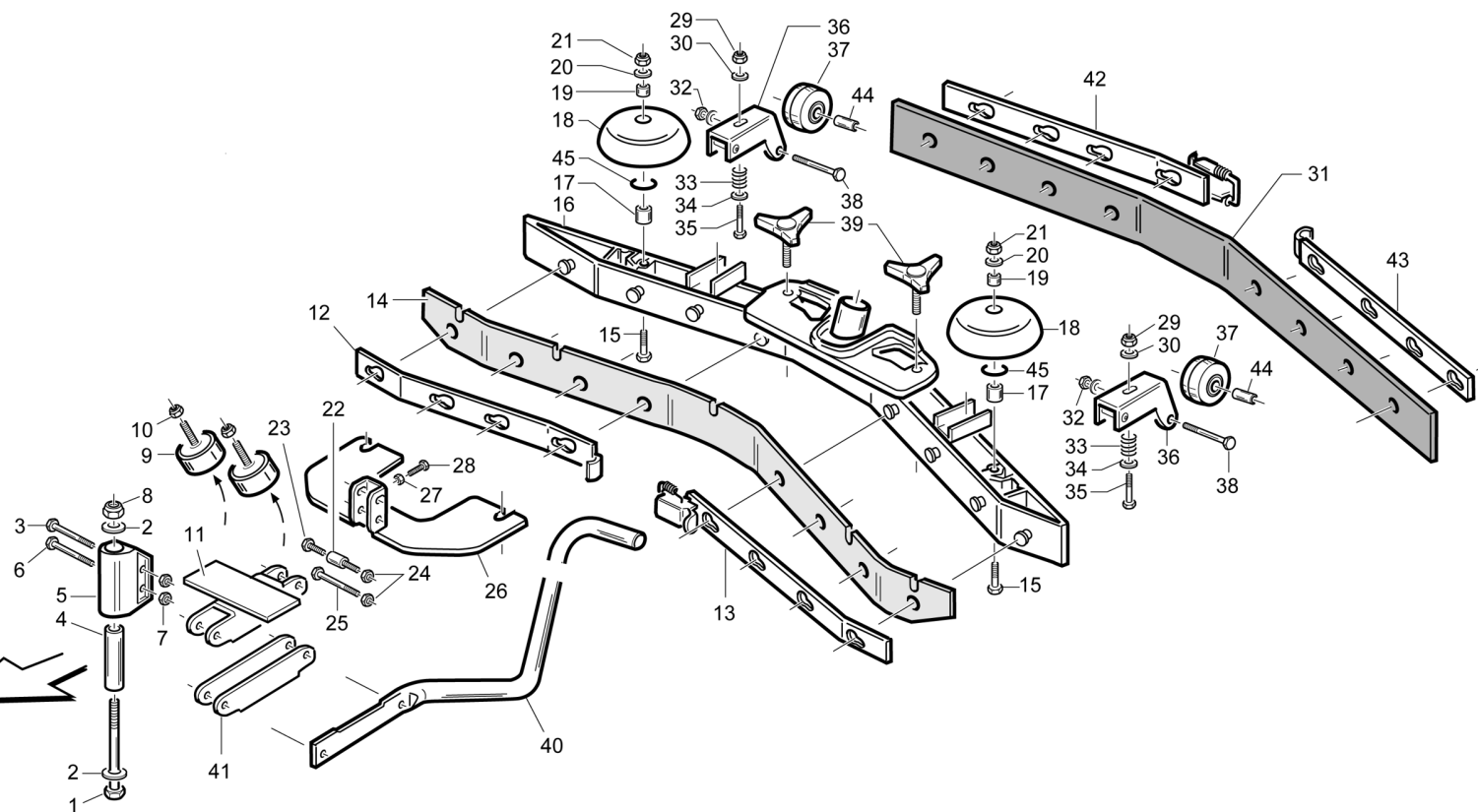


Ref.	K	Part N.	Customer Part N.	Description	Qty	Validity:		Price
						From	To	
0036		MEVR02024		CARBON -	1,00			--
0036		MOCC00337		MOTOR 12V	1,00			--
0037		VTVT15143		SCREW TE 6X16 UNI5739	3,00			--
0038		VTRS13945		WASHER D. 6X18 INX UNI 6593	6,00			--
0039		VTVT13939		SCREW TE 6X20 UNI5739 INX	1,00			--
0040		VTRS00515		WASHER D. 4 INX	5,00			--
0041		GUGO00314		MOUSSE CT25	1,00	07/2008		--
0042		MEVR00370		CLAMP 44mm - 47,5mm	1,00	07/2008		--
0043		VTRS00245		WASHER D.6 UNI 6592 INOX	4,00	11/2008		--
0044		MEVR01963		CLAMP -	1,00			--
0045		MEVR01962		CLAMP +	1,00			--

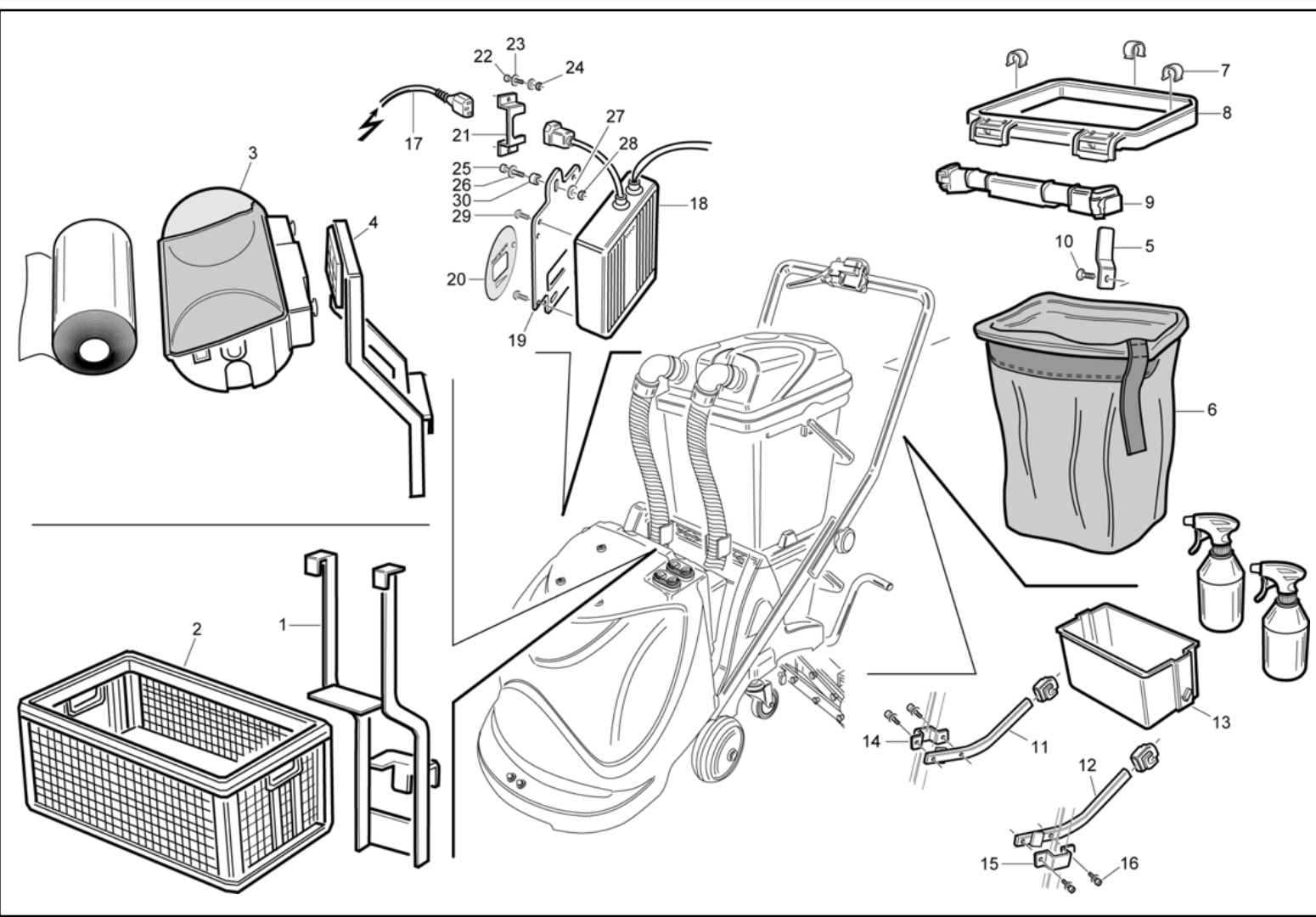


Ref.	K	Part N.	Customer Part N.	Description	Qty	Validity:		Price
						From	To	
0001		VTVT01680		SCREW TE M 10X110	1,00			--
0002		VTRS15523		WASHER D.10 X21 INOX UNI 6592	2,00			--
0003		VTVT15142		SCREW TE M 6x45 INOX	1,00			--
0004		LAFN06767		BUSHING CT25	1,00			--
0005		MPVR04734		BLOCK TERGI	1,00			--
0006		VTVT15145		SCREW TE 6X40 UNI5739 INX	1,00			--
0007		VTDD01694		NUT M6 INOX	2,00			--
0008		VTDD10310		NUT AUTOBL.M10 INOX DIN 985	1,00			--
0009		MEVR01961		CLAMP SM08.3015	2,00		10/2008	--
0009		MEVR01968		CLAMP SM08.3015-A 250N	2,00	10/2008		--
0010		VTDD01693		NUT M 5 INX	2,00			--
0011		LAFN06707		PLATE CT25	1,00			--
0012		LAFN51043		LAMINATION BLOCCA LAMA ANTER.DX XS	1,00			--
0013		LAFN51042		LAMINATION BLOCCA LAMA ANTER.SX XS	1,00			--
0014		MPVR51017		BLADE ANTER.TERGI XS	1,00			--
0015		VTVT17342		SCREW TE M 6X 60 UNI 5739 INX	2,00			--
0016		KTRI02051		BODY SQUEEGEE PRESSOFUSO "XS"	1,00			--
0017		LAFN04100		SPACER PER RUOTINO PARACOLPI	2,00			--
0018		RTRT43370		CASTER D.100 2V.	2,00			--
0019		MPVR49229		BUSHING SHK	2,00			--
0020		VTRS00245		WASHER D.6 UNI 6592 INOX	2,00			--
0021		VTDD01694		NUT M6 INOX	2,00			--
0022		LAFN03742		SPACER SILENZIATORE	1,00			--
0023		VTVT15142		SCREW TE M 6x45 INOX	1,00			--
0024		VTDD01694		NUT M6 INOX	2,00			--
0025		VTVT15145		SCREW TE 6X40 UNI5739 INX	1,00			--
0026		LAFN06706		PLATE CT25	1,00			--
0027		VTDD15521		NUT M 8 INX A2 UNI 5588	1,00			--
0028		VTVT15907		SCREW TE 8X25 UNI5739 INX	1,00			--
0029		VTDD01695		NUT M 8 INX	2,00			--
0030		VTRS13947		WASHER D. 8 INX UNI 6592	2,00			--
0031		MPVR51016		BLADE POST.TERGI XS	1,00			--
0032		VTDD01694		NUT M6 INOX	2,00			--
0033		MLML49422		SPRING D.15X 45 X1	2,00			--
0034		VTRS13947		WASHER D. 8 INX UNI 6592	2,00			--
0035		VTVT01304		SCREW M 8X 40 TTQST UNI 5731	2,00			--
0036		LAFN05559		SUPPORT RUOTINO	2,00			--
0037		RTRT49413		WHEEL D. 60-D.15 X36 NYL.	2,00			--
0038		VTVT15515		SCREW TE M 6X 50 INOX A2	2,00			--

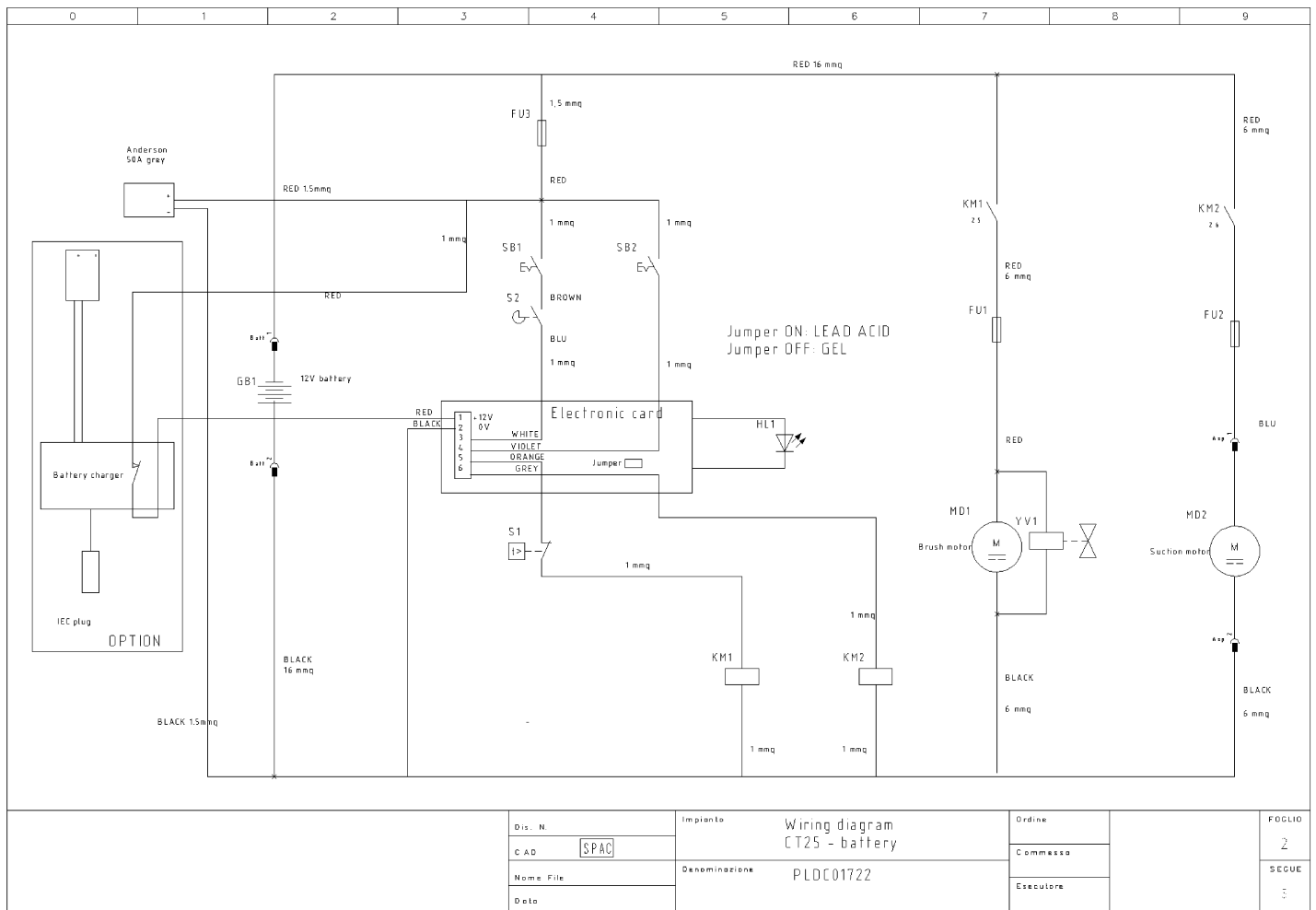









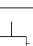







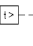
Ref.	K	Part N.	Customer Part N.	Description	Qty	Validity:		Price
						From	To	
0039		MPVR05265		KNOB 8X25	2,00			--
0040		LAFN06701		TUBE -	1,00			--
0041		LAFN05853		LEVER ARM SOLLEVAMENTO TERGI	1,00			--
0042		LAFN51041		LAMINATION BLOCCA LAMA POST.DX XS	1,00			--
0043		LAFN51040		LAMINATION BLOCCA LAMA POST.SX XS	1,00			--
0044		LAFN04041		SPACER D6/15	2,00			--
0045		GUGO00164		GASKET	2,00	09/2009		--



Ref.	K	Part N.	Customer Part N.	Description	Qty	Validity:		Price
						From	To	
0001		LAFN06888		SUPPORT CT25	1,00			--
0002		MPVR05399		SMALL BASKET CT25	1,00			--
0003		MPVR05400		DOOR ROLOLO	1,00			--
0004		LAFN06889		SUPPORT CT25	1,00			--
0005		LAFN06893		PLATE KIT	1,00			--
0006		MPVR05405		SACK LT50	1,00			--
0007		MPVR05407		COVER GANSY	4,00			--
0008		KTRI01808		KIT GANSY	1,00			--
0009		KTRI01808		KIT GANSY	1,00			--
0010		VTVT21887		SCREW TCB-TC 4X10 8112	2,00			--
0011		LAFN06890		SUPPORT CASSETTA	1,00			--
0012		LAFN06895		PLATE KIT	1,00			--
0013		MPVR05402		BOX EUROMOP	1,00			--
0014		LAFN06891		PLATE CASSETTA	1,00			--
0015		LAFN06894		PLATE KIT	1,00			--
0016		VTVT11703		SCREW TCB-TC 5X12	4,00			--
0017		MECB00922		EXTENSION 3x0,75 SHUKO PLUG	1,00			--
0017		MECB00923		EXTENSION AWG18 US PLUG	1,00			--
0018		BACA00126		BATTERY-CHARGERCBHD1 12V 8A	1,00			--
0019		LAFN07267		BRACKET 512-712	1,00			--
0020		ETET01588		LABEL CT25	1,00			--
0021		LAFN06872		BRACKET CT25	1,00			--
0022		VTVT00234		SCREW TSPEI M5x16 UNI5933	2,00			--
0023		VTRS00060		WASHER D.5,3x14,5x3,2	2,00			--
0024		VTDD00040		NUT M5 UNI7474	2,00			--
0025		VTVT00234		SCREW TSPEI M5x16 UNI5933	2,00		11/2008	--
0025		VTVT01687		SCREW M 5X 30 TSPEI UNI 5933	2,00	11/2008		--
0026		VTRS00060		WASHER D.5,3x14,5x3,2	2,00			--
0027		VTRS15958		WASHER D. 5 X15 UNI 6593	2,00			--
0028		VTDD00040		NUT M5 UNI7474	2,00			--
0029		VTVT21887		SCREW TCB-TC 4X10 8112	4,00			--
0030		LAFN07541		SPACER -	2,00	11/2008		--



Ref. K	Part N.	Customer Part N.	Description	Qty	Validity: From	To	Price
FU1	MEVR42990		FUSE 60A NST.	1,00			--
FU2	MEVR42990		FUSE 60A NST.	1,00			--
FU3	MEVR01133		FUSE 15A 32V	1,00			--
HL1	MECB01067		WIRING LED CT25	1,00			--
KM1	METT00080		CONTACTOR E TL 10P 12V 100A	1,00			--
KM2	MECI00408		RELAY FITRE	1,00			--
MD1	MOCC00338		MOTOR 12V - 390W	1,00			--
MD2	MOCC00337		MOTOR 12V	1,00			--
S2	MEVR01732		HANDLE CT25	1,00			--
SB1	MECI00346		SWITCH TTR/L BIP. 24V	1,00			--
SB2	MECI00346		SWITCH TTR/L BIP. 24V	1,00			--
YV1	MEEV00028		SOLENOID VALVE	1,00			--

0		1		2		3		4		5		6		7		8		9	
Sim.\Sym.	Sigla\Item	Funzione\Use	Type	Sim.\Sym.	Sigla\Item	Funzione\Use	Type	Sim.\Sym.	Sigla\Item	Funzione\Use	Type	Sim.\Sym.	Sigla\Item	Funzione\Use	Type	Sim.\Sym.	Sigla\Item	Funzione\Use	Type
	FU1 =0G 2	Brush fuse			SB1 =0G 2	Brush button													
	FU2 =0G 2	Suction fuse			SB2 =0G 2	Suction button													
	FU3 =0G 2	Auxiliary fuse			YV1 =0G 2	Water electrovalve													
	GB1 =0G 2	12V Battery																	
	HL1 =0G 2	Battery led																	
	KM1 =0G 2	Brush relè																	
	KM2 =0G 2	Suction relè																	
	MD1 =0G 2	Brush motor																	
	MD2 =0G 2	Suction motor																	
	S1 =0G 2	Thermal switch brush motor																	
	S2 =0G 2	Brush enable switch																	

Dis. N.	Impianto	Ordine	FOGLIO
CAD <input type="text" value="SPAC"/>		Commesse	3
Nome File	Denominazione	Esecutore	SECUE
Data			4

Ref.	K	Part N.	Customer Part N.	Description	Qty	Validity:	From	To	Price
FU1		MEVR42990		FUSE 60A NST.	1,00				--
FU2		MEVR42990		FUSE 60A NST.	1,00				--
FU3		MEVR01133		FUSE 15A 32V	1,00				--
HL1		MECB01067		WIRING LED CT25	1,00				--
KM1		METT00080		CONTACTOR E TL 10P 12V 100A	1,00				--
KM2		MECI00408		RELAY FITRE	1,00				--
MD1		MOCC00338		MOTOR 12V - 390W	1,00				--
MD2		MOCC00337		MOTOR 12V	1,00				--
S2		MEVR01732		HANDLE CT25	1,00				--
SB1		MECI00346		SWITCH TTR/L BIP. 24V	1,00				--
SB2		MECI00346		SWITCH TTR/L BIP. 24V	1,00				--
YV1		MEEV00028		SOLENOID VALVE	1,00				--