



**IPC Integrated Professional Cleaning**

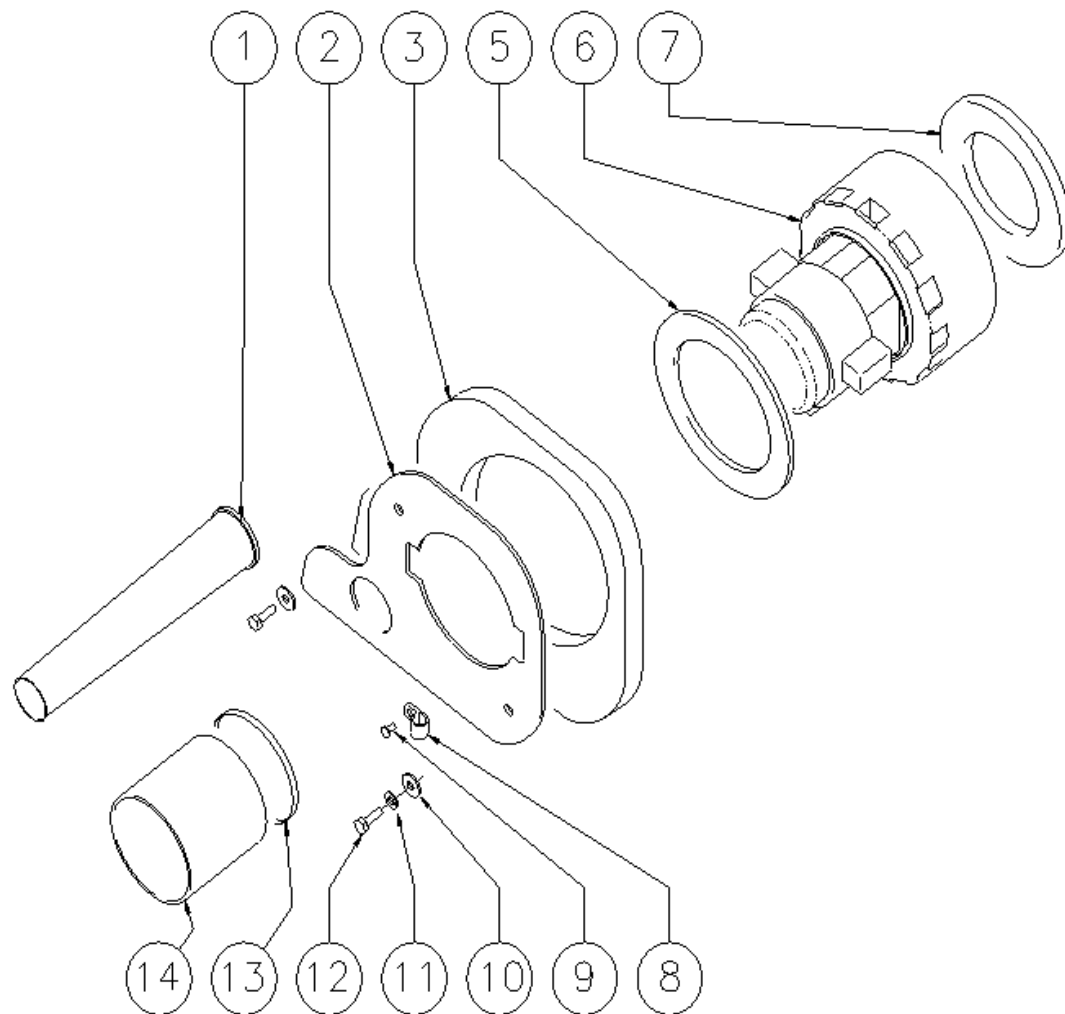
**IPC Gansow**

## Spare Parts List

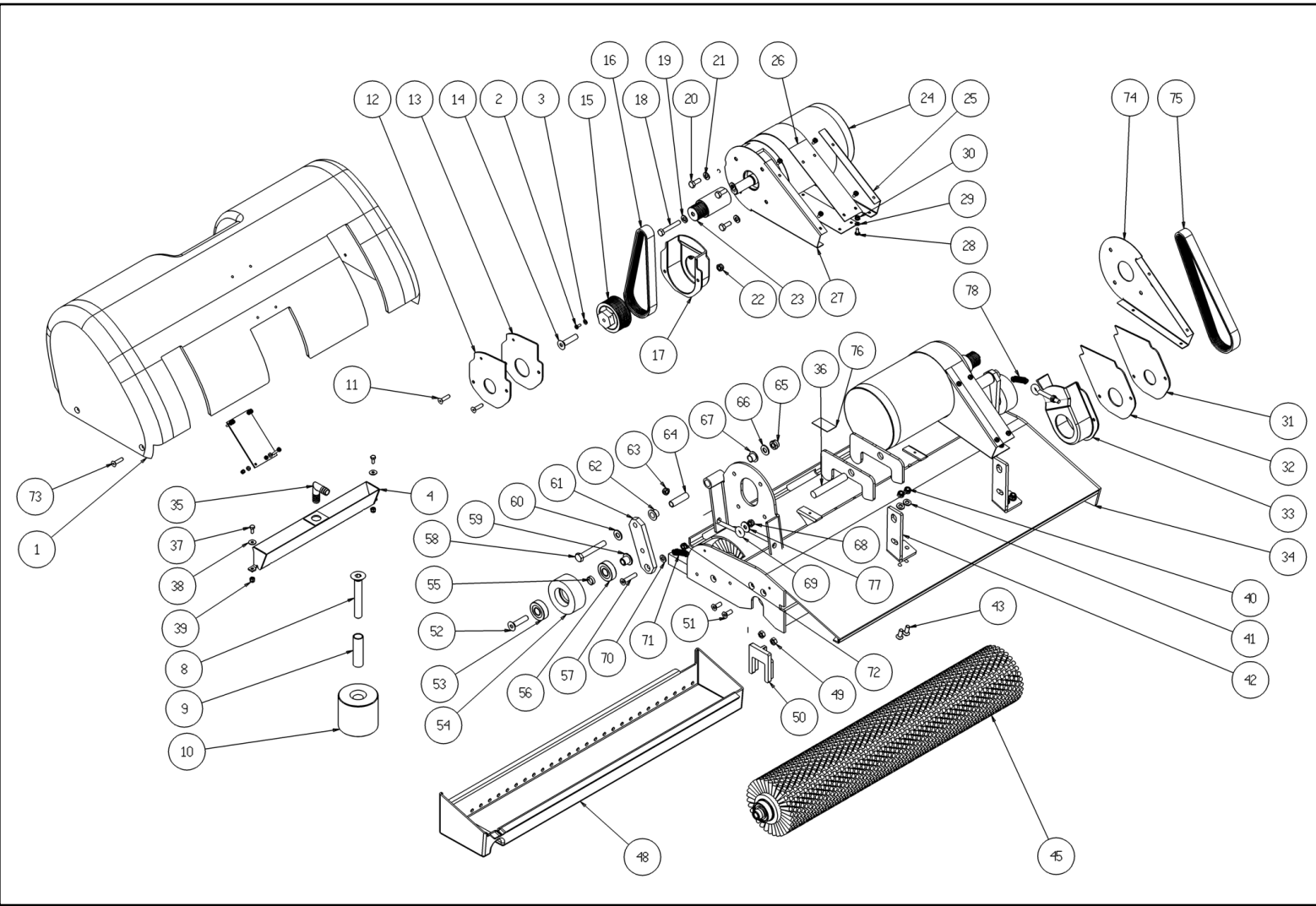
TAVERNARO AG

Ref: LPTB01420

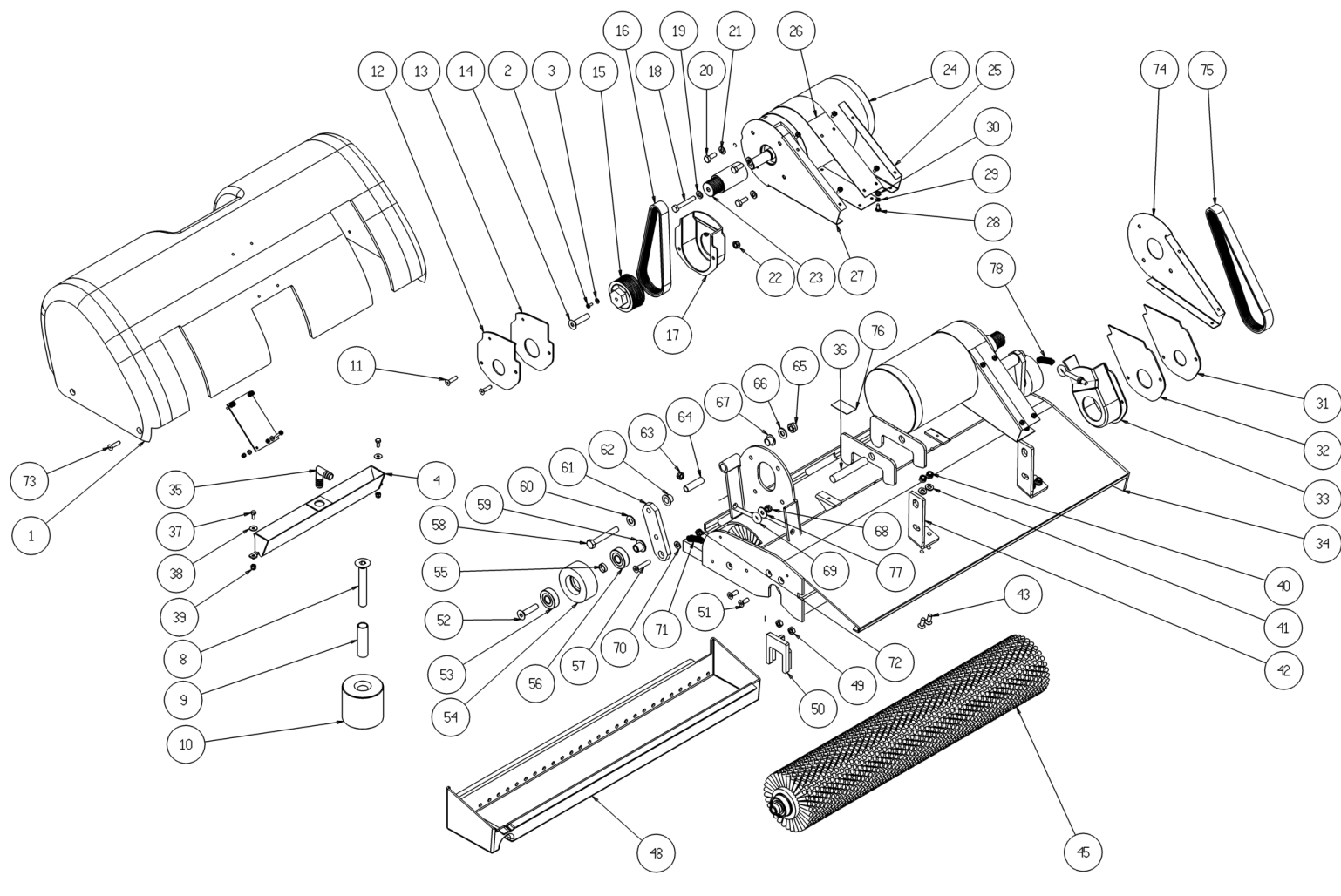
Model: CT70 R GR/VE 2012



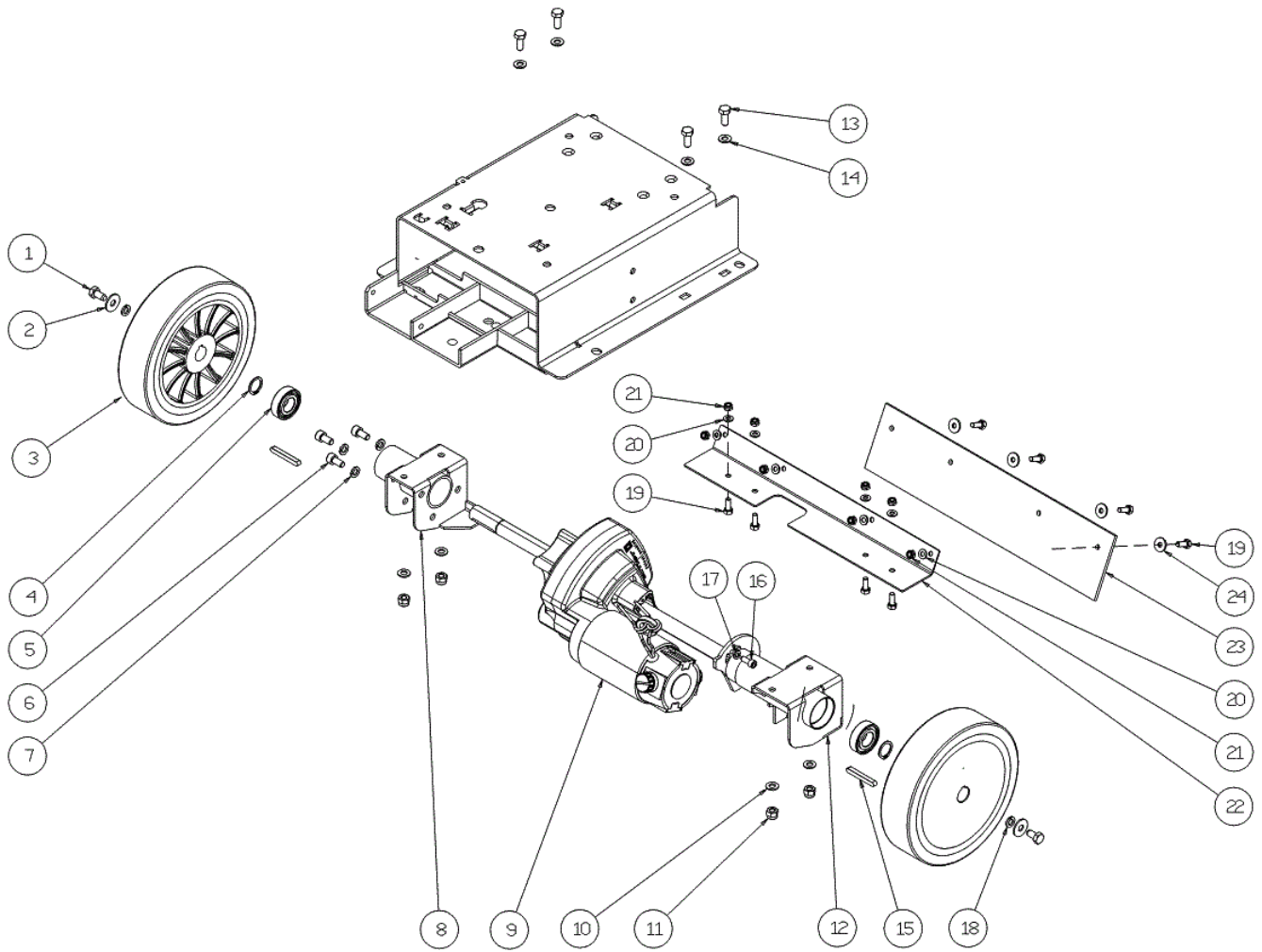
| Ref. | K | Part N.   | Customer Part N. | Description                      | Qty  | Validity: |         | Price |
|------|---|-----------|------------------|----------------------------------|------|-----------|---------|-------|
|      |   |           |                  |                                  |      | From      | To      |       |
| 0001 |   | MPVR05259 |                  | TUBE SCARICO                     | 1,00 | 06/2007   |         | --    |
| 0001 |   | TBFX00244 |                  | TUBE D 34 L200MM                 | 1,00 |           | 06/2007 | --    |
| 0002 |   | LAFN06363 |                  | FLANGE ASPIRATORE                | 1,00 |           |         | --    |
| 0003 |   | MPVR05103 |                  | SOUND-PROOFING ASPIRATORE        | 1,00 |           |         | --    |
| 0005 |   | MPVR04724 |                  | FLANGE IN NYLON                  | 1,00 |           |         | --    |
| 0006 |   | MEVR05200 |                  | CARBON MOTORE ASP.AMET.116599-13 | 2,00 |           |         | --    |
| 0006 |   | MOCC00253 |                  | MOTOR ASPIR.BIST.24V             | 1,00 |           | 11/2008 | --    |
| 0006 |   | MOCC00349 |                  | MOTOR VACUUM 2 STAGES 24V        | 1,00 | 11/2008   |         | --    |
| 0007 |   | GUGO00272 |                  | GASKET VACUUM MOTOR CT           | 1,00 |           |         | --    |
| 0008 |   | FSVR00099 |                  | CLAMP FERMATUBO                  | 1,00 |           |         | --    |
| 0009 |   | VTVT00813 |                  | SCREW M 4X 8 TCB-TC UNI 8112     | 1,00 |           |         | --    |
| 0010 |   | VTRS13945 |                  | WASHER D. 6X18 INX UNI 6593      | 2,00 |           |         | --    |
| 0011 |   | VTRS15144 |                  | WASHER D. 6 INX GRW UNI 1751     | 2,00 |           |         | --    |
| 0012 |   | VTVT15143 |                  | SCREW TE 6X16 UNI5739            | 2,00 |           |         | --    |
| 0013 |   | FSVR00118 |                  | CLAMP D.94                       | 1,00 | 05/2007   |         | --    |
| 0013 |   | FSVR00500 |                  | CLAMP 80-100 INOX                | 1,00 |           | 04/2007 | --    |
| 0014 |   | TBFX00268 |                  | SUCTION HOSE D80 L=80MM          | 1,00 |           | 04/2007 | --    |
| 0014 |   | TBFX00312 |                  | TUBE ASPIRAZIONE                 | 1,00 | 05/2007   |         | --    |



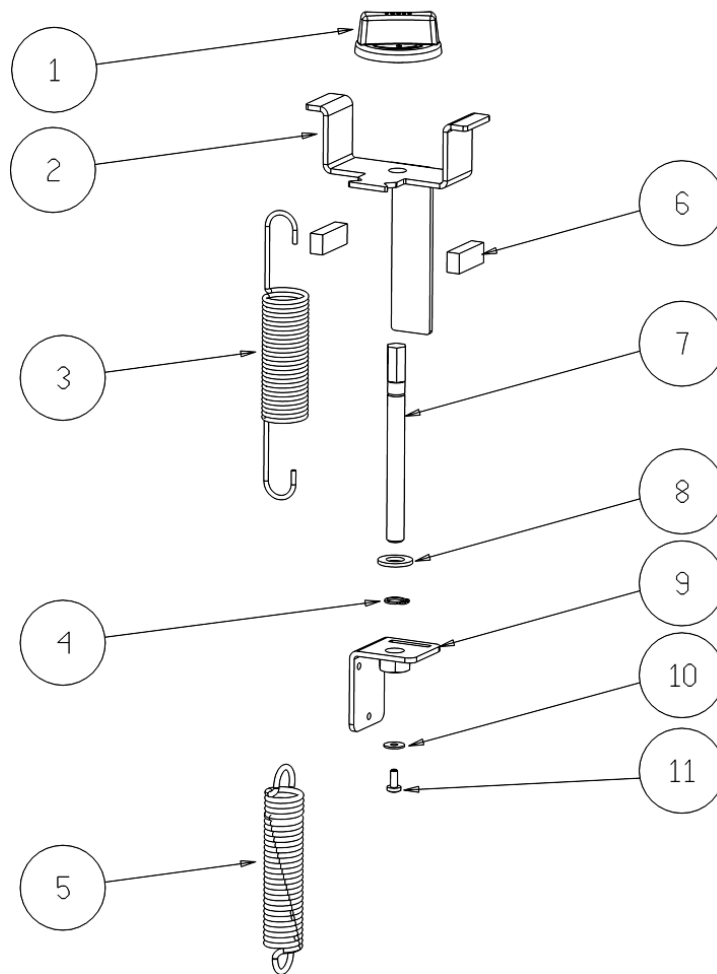
| Ref. | K | Part N.   | Customer Part N. | Description                       | Qty   | Validity: From | To | Price |
|------|---|-----------|------------------|-----------------------------------|-------|----------------|----|-------|
| 0001 |   | MPVR05597 |                  | COVER -                           | 1,00  |                |    | --    |
| 0002 |   | VTVT00722 |                  | SCREW -                           | 1,00  |                |    | --    |
| 0003 |   | VTRS01579 |                  | WASHER D. 3 UNI 6592              | 1,00  |                |    | --    |
| 0008 |   | VTVT00885 |                  | SCREW TSPEI M.12-80               | 2,00  |                |    | --    |
| 0009 |   | LAFN04111 |                  | SPACER -                          | 2,00  |                |    | --    |
| 0010 |   | MPVR05607 |                  | ROLLER -                          | 2,00  |                |    | --    |
| 0011 |   | VTVT00704 |                  | SCREW TE M 4X 16 UNI5739 INOX     | 4,00  |                |    | --    |
| 0012 |   | MPVR05602 |                  | CLOSURE -                         | 1,00  |                |    | --    |
| 0013 |   | MPVR05756 |                  | GASKET -                          | 1,00  |                |    | --    |
| 0014 |   | VTVT00750 |                  | SCREW TSPE M. 6-16                | 2,00  |                |    | --    |
| 0015 |   | MTPL00208 |                  | PULLEY -                          | 1,00  |                |    | --    |
| 0016 |   | MTCG00130 |                  | BELT POLI                         | 1,00  |                |    | --    |
| 0017 |   | MPVR05601 |                  | PROTECTION -                      | 1,00  |                |    | --    |
| 0018 |   | VTVT15145 |                  | SCREW TE 6X40 UNI5739 INX         | 1,00  |                |    | --    |
| 0019 |   | VTRS13945 |                  | WASHER D. 6X18 INX UNI 6593       | 1,00  |                |    | --    |
| 0020 |   | VTVT15143 |                  | SCREW TE 6X16 UNI5739             | 8,00  |                |    | --    |
| 0021 |   | VTRS15144 |                  | WASHER D. 6 INX GRW UNI 1751      | 8,00  |                |    | --    |
| 0022 |   | VTDD15925 |                  | NUT M 4 INX                       | 4,00  |                |    | --    |
| 0023 |   | MTPL00205 |                  | PULLEY -                          | 2,00  |                |    | --    |
| 0024 |   | MEVR02027 |                  | CARBON -                          | 2,00  |                |    | --    |
| 0024 |   | MOC00379  |                  | MOTOR -                           | 2,00  |                |    | --    |
| 0025 |   | LAFN07820 |                  | CONVEYOR -                        | 2,00  |                |    | --    |
| 0026 |   | LAFN07819 |                  | CONVEYOR -                        | 2,00  |                |    | --    |
| 0027 |   | LAFN07817 |                  | CONVEYOR -                        | 1,00  |                |    | --    |
| 0028 |   | VTVT00813 |                  | SCREW M 4X 8 TCB-TC UNI 8112      | 16,00 |                |    | --    |
| 0029 |   | VTRS00515 |                  | WASHER D. 4 INX                   | 16,00 |                |    | --    |
| 0030 |   | VTDD00055 |                  | NUT M 4 ATB A2                    | 16,00 |                |    | --    |
| 0031 |   | MPVR05600 |                  | CLOSURE -                         | 1,00  |                |    | --    |
| 0032 |   | MPVR05757 |                  | GASKET -                          | 1,00  |                |    | --    |
| 0033 |   | MPVR05599 |                  | PROTECTION -                      | 1,00  |                |    | --    |
| 0034 |   | LAFN06764 |                  | HEAD 55                           | 1,00  |                |    | --    |
| 0035 |   | RCVR45752 |                  | HOSE FITTING "L" 3/8M - D.10 PLS. | 1,00  |                |    | --    |
| 0036 |   | LAFN07633 |                  | PIN -                             | 1,00  |                |    | --    |
| 0037 |   | VTVT00817 |                  | SCREW TE M4x12 UNI 5739 INOX      | 2,00  |                |    | --    |
| 0038 |   | VTRS00515 |                  | WASHER D. 4 INX                   | 2,00  |                |    | --    |
| 0039 |   | VTDD15925 |                  | NUT M 4 INX                       | 2,00  |                |    | --    |
| 0040 |   | VTDD01694 |                  | NUT M6 INOX                       | 4,00  |                |    | --    |
| 0041 |   | VTRS00245 |                  | WASHER D.6 UNI 6592 INOX          | 4,00  |                |    | --    |
| 0042 |   | LAFN07634 |                  | BRACKET -                         | 2,00  |                |    | --    |



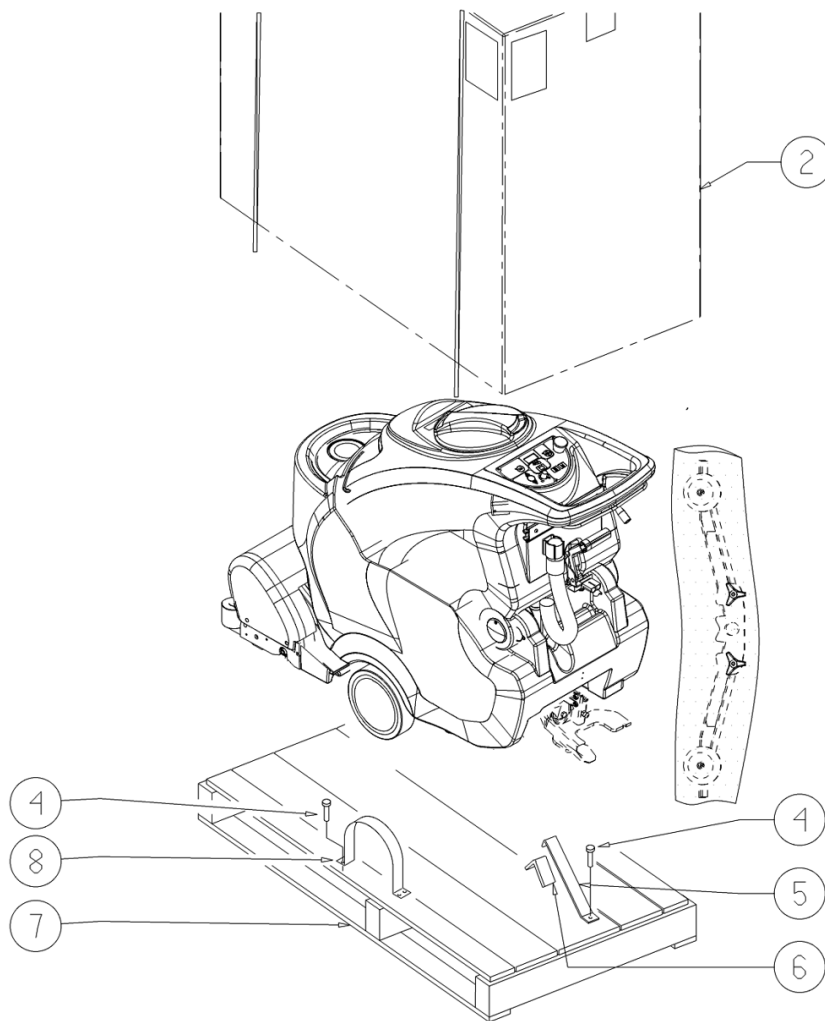
| Ref. | K | Part N.   | Customer Part N. | Description                  | Qty  | Validity:<br>From To | Price |
|------|---|-----------|------------------|------------------------------|------|----------------------|-------|
| 0043 |   | VTVT00832 |                  | SCREW TSPEI M6X16 INOX       | 4,00 |                      | --    |
| 0045 |   | SPPV01163 |                  | BRUSH -                      | 2,00 |                      | --    |
| 0048 |   | MPVR05603 |                  | DRAWER -                     | 1,00 |                      | --    |
| 0049 |   | VTDD15518 |                  | NUT M 6 INX                  | 4,00 |                      | --    |
| 0050 |   | MPVR31929 |                  | SUPPORT E 350 N              | 2,00 |                      | --    |
| 0051 |   | VTVT00750 |                  | SCREW TSPE M. 6-16           | 4,00 |                      | --    |
| 0052 |   | VTVT00816 |                  | CARRYNG BAG                  | 2,00 |                      | --    |
| 0053 |   | CUVR00004 |                  | BEARING 6201 2RS -MARCA-     | 2,00 |                      | --    |
| 0054 |   | MTPL00206 |                  | PULLEY -                     | 2,00 |                      | --    |
| 0055 |   | LAFN07804 |                  | SPACER -                     | 2,00 |                      | --    |
| 0056 |   | CUVR00004 |                  | BEARING 6201 2RS -MARCA-     | 2,00 |                      | --    |
| 0057 |   | VTVT30246 |                  | SCREW TSPEI M 6X 30 UNI 5933 | 2,00 |                      | --    |
| 0058 |   | VTVT00728 |                  | SCREW TE M. 8-55             | 2,00 |                      | --    |
| 0059 |   | LAFN51068 |                  | BUSHING LEVA POSTER.         | 2,00 |                      | --    |
| 0060 |   | VTRS13947 |                  | WASHER D. 8 INX UNI 6592     | 1,00 |                      | --    |
| 0061 |   | LAFN07769 |                  | BRACKET -                    | 2,00 |                      | --    |
| 0062 |   | CUVR43254 |                  | BUSHING CB 85 1010 18T       | 2,00 |                      | --    |
| 0063 |   | VTDD01694 |                  | NUT M6 INOX                  | 2,00 |                      | --    |
| 0064 |   | LAFN07799 |                  | SPACER 10-8 L 39,9           | 2,00 |                      | --    |
| 0065 |   | VTDD01695 |                  | NUT M 8 INX                  | 2,00 |                      | --    |
| 0066 |   | VTRS13947 |                  | WASHER D. 8 INX UNI 6592     | 2,00 |                      | --    |
| 0067 |   | CUVR43254 |                  | BUSHING CB 85 1010 18T       | 2,00 |                      | --    |
| 0068 |   | VTDD01694 |                  | NUT M6 INOX                  | 2,00 |                      | --    |
| 0069 |   | LAFN05186 |                  | TIE ROD                      | 2,00 |                      | --    |
| 0070 |   | VTDD15518 |                  | NUT M 6 INX                  | 2,00 |                      | --    |
| 0071 |   | MLML75961 |                  | SPRING D. 16 L.80            | 1,00 |                      | --    |
| 0072 |   | VTDD01694 |                  | NUT M6 INOX                  | 2,00 |                      | --    |
| 0073 |   | VTVT00855 |                  | SCREW TSP+ M4X15             | 4,00 |                      | --    |
| 0074 |   | LAFN07815 |                  | CONVEYOR -                   | 1,00 |                      | --    |
| 0075 |   | MTCG00129 |                  | BELT POLI                    | 1,00 |                      | --    |
| 0076 |   | GUVR01008 |                  | GASKET -                     | 2,00 |                      | --    |
| 0077 |   | VTRS13945 |                  | WASHER D. 6X18 INX UNI 6593  | 2,00 |                      | --    |
| 0078 |   | MLML00065 |                  | SPRING L0=80 De=12 Df=1.7    | 1,00 |                      | --    |



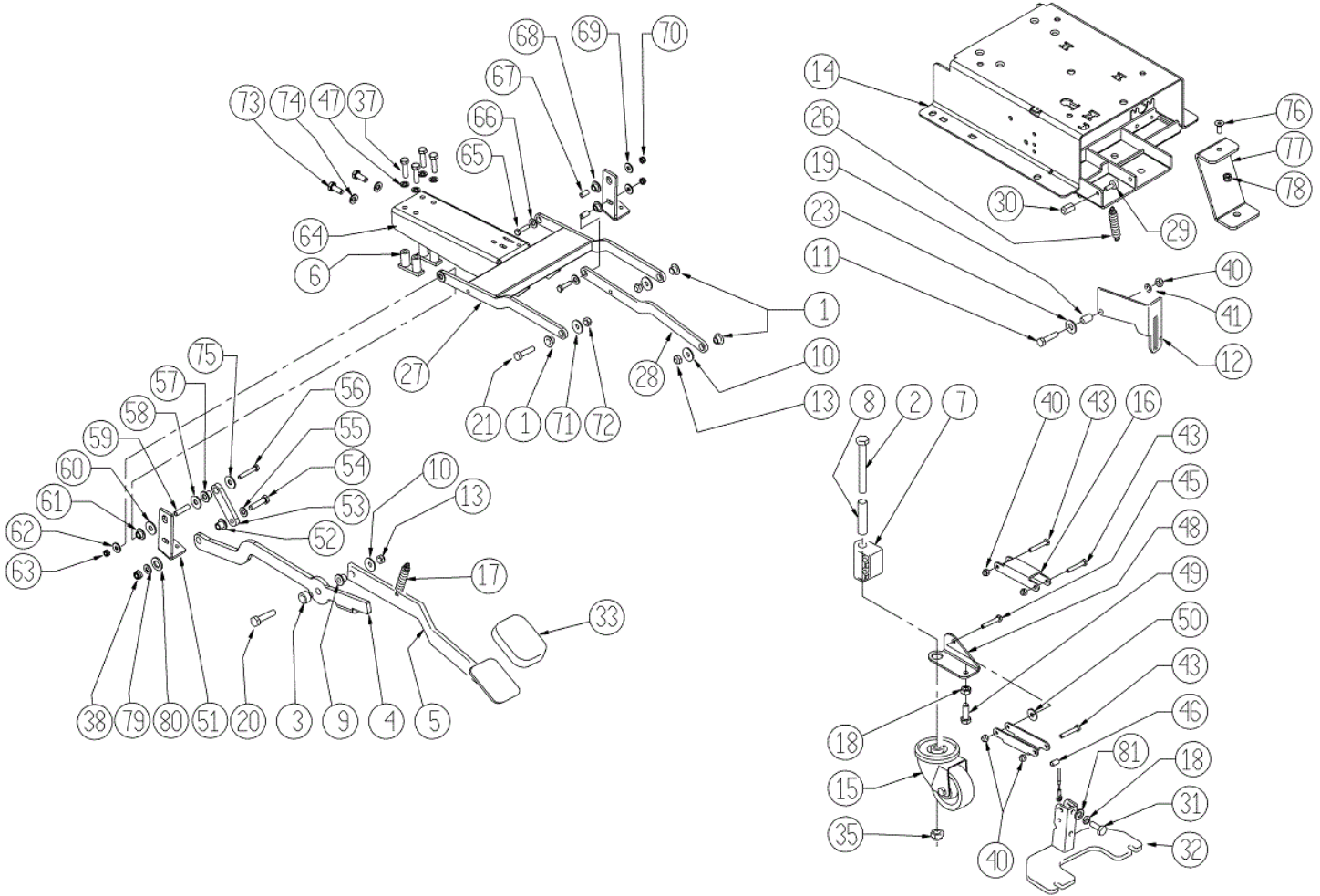
| Ref. | K | Part N.   | Customer Part N. | Description                  | Qty  | Validity: |         | Price |
|------|---|-----------|------------------|------------------------------|------|-----------|---------|-------|
|      |   |           |                  |                              |      | From      | To      |       |
| 0001 |   | VTVT15916 |                  | SCREW TE M 8X 16 UNI 5739 A2 | 2,00 |           |         | --    |
| 0002 |   | VTRS13946 |                  | WASHER D. 8 X24 INX UNI 6593 | 2,00 |           |         | --    |
| 0003 |   | RTRT00524 |                  | WHEEL -                      | 2,00 |           | 05/2010 | --    |
| 0003 |   | RTRT00529 |                  | WHEEL D200                   | 2,00 | 05/2010   | 06/2012 | --    |
| 0003 |   | RTRT00546 |                  | WHEEL D.200                  | 2,00 | 06/2012   |         | --    |
| 0004 |   | VTAE06193 |                  | CIRCLIP D. 20 UNI 7435       | 2,00 |           |         | --    |
| 0005 |   | CUVR00083 |                  | BEARING 6004 2RS H SKF       | 2,00 | 09/2011   | 04/2013 | --    |
| 0005 |   | CUVR00190 |                  | BEARING 6004                 | 2,00 | 04/2013   |         | --    |
| 0005 |   | CUVR19846 |                  | BALL BEARING 6004 2RS1       | 2,00 |           | 09/2011 | --    |
| 0006 |   | VTVT00876 |                  | SCREW TCEI M.8-16            | 3,00 |           |         | --    |
| 0007 |   | VTRS15146 |                  | WASHER D. 8 INX GRW UNI 1751 | 3,00 |           |         | --    |
| 0008 |   | LAFN07811 |                  | SUPPORT -                    | 1,00 |           |         | --    |
| 0009 |   | MOCC00022 |                  | CARBON X MOT.COD.MOCC86902   | 2,00 |           |         | --    |
| 0009 |   | MOCC00373 |                  | MOTOR -                      | 1,00 |           | 10/2010 | --    |
| 0009 |   | MOCC00395 |                  | MOTOR TRACTION 24V 200W 150G | 1,00 | 10/2010   |         | --    |
| 0010 |   | VTRS13947 |                  | WASHER D. 8 INX UNI 6592     | 4,00 |           |         | --    |
| 0011 |   | VTDD01695 |                  | NUT M 8 INX                  | 4,00 |           |         | --    |
| 0012 |   | LAFN07813 |                  | SUPPORT -                    | 1,00 |           |         | --    |
| 0013 |   | VTVT15916 |                  | SCREW TE M 8X 16 UNI 5739 A2 | 4,00 |           |         | --    |
| 0014 |   | VTRS13947 |                  | WASHER D. 8 INX UNI 6592     | 4,00 |           |         | --    |
| 0015 |   | VTVR00566 |                  | KEY 6X10X40                  | 2,00 | 06/2012   |         | --    |
| 0015 |   | VTVR33668 |                  | KEY 6x 6x40 UNI 6604A        | 2,00 |           | 06/2012 | --    |
| 0016 |   | VTVT00717 |                  | SCREW TCEI M. 6-16           | 2,00 |           |         | --    |
| 0017 |   | VTRS15144 |                  | WASHER D. 6 INX GRW UNI 1751 | 2,00 |           |         | --    |
| 0018 |   | VTRS15144 |                  | WASHER D. 6 INX GRW UNI 1751 | 2,00 |           |         | --    |
| 0019 |   | VTVT15143 |                  | SCREW TE 6X16 UNI5739        | 8,00 | 07/2012   |         | --    |
| 0020 |   | VTRS00245 |                  | WASHER D.6 UNI 6592 INOX     | 8,00 | 07/2012   |         | --    |
| 0021 |   | VTDD01694 |                  | NUT M6 INOX                  | 8,00 | 07/2012   |         | --    |
| 0022 |   | LAFN07951 |                  | BRACKET CT40-90              | 1,00 | 07/2012   |         | --    |
| 0023 |   | MPVR06230 |                  | FLAP CT40 CT70-90            | 1,00 | 07/2012   |         | --    |
| 0024 |   | VTRS13945 |                  | WASHER D. 6X18 INX UNI 6593  | 4,00 | 07/2012   |         | --    |



| Ref. K | Part N.   | Customer Part N. | Description                   | Qty  | Validity: |    | Price |
|--------|-----------|------------------|-------------------------------|------|-----------|----|-------|
|        |           |                  |                               |      | From      | To |       |
| 0001   | MPVR75768 |                  | KNOB                          | 1,00 |           |    | --    |
| 0002   | LAFN07458 |                  | SUPPORT -                     | 1,00 |           |    | --    |
| 0003   | MLML00234 |                  | SPRING TESTATA LINEA 3        | 1,00 |           |    | --    |
| 0004   | VTAE13511 |                  | CIRCLIP D. 10 UNI 7435        | 1,00 |           |    | --    |
| 0005   | MLML00225 |                  | SPRING                        | 1,00 |           |    | --    |
| 0006   | GUGO00315 |                  | MOUSSE CT25                   | 2,00 |           |    | --    |
| 0007   | LAFN07457 |                  | SUPPORT -                     | 1,00 |           |    | --    |
| 0008   | VTRS15523 |                  | WASHER D.10 X21 INOX UNI 6592 | 1,00 |           |    | --    |
| 0009   | LAFN07459 |                  | SUPPORT -                     | 1,00 |           |    | --    |
| 0010   | VTRS00251 |                  | WASHER 4-16 INOX A2           | 1,00 |           |    | --    |
| 0011   | VTVT21887 |                  | SCREW TCB-TC 4X10 8112        | 1,00 |           |    | --    |

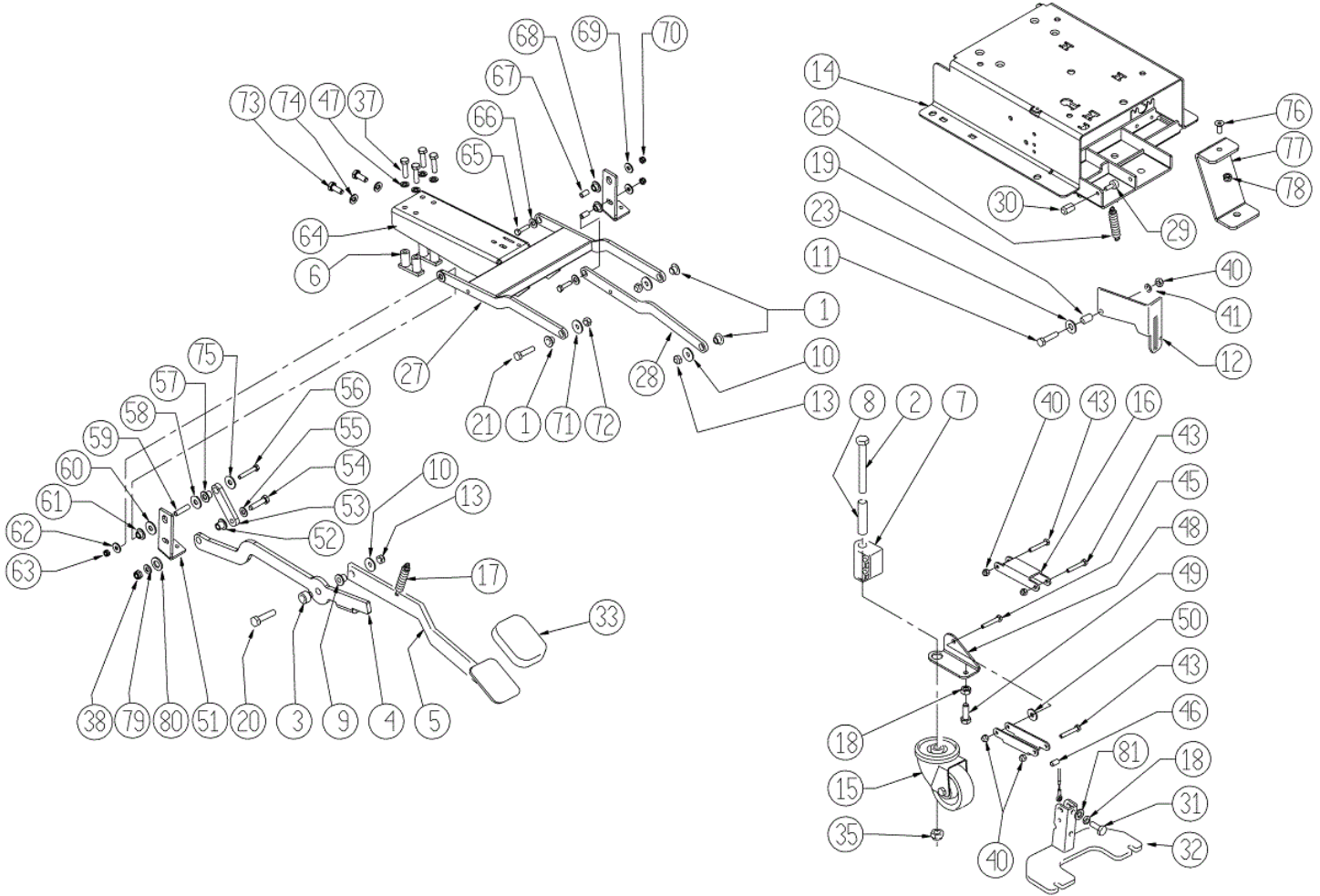


| Ref. K | Part N.   | Customer Part N. | Description                     | Qty  | Validity: |    | Price |
|--------|-----------|------------------|---------------------------------|------|-----------|----|-------|
|        |           |                  |                                 |      | From      | To |       |
| 0002   | MICT00196 |                  | BOX                             | 1,00 |           |    | --    |
| 0004   | VTVT00043 |                  | SCREW AUTOF.LEGNO 4,5X25 TS BR  | 9,00 |           |    | --    |
| 0005   | MIVR00137 |                  | CLAMP RUOTA POSTERIORE X IMBAL. | 1,00 |           |    | --    |
| 0006   | GUGO00009 |                  | MOUSSE                          | 0,05 |           |    | --    |
| 0007   | MIBA00054 |                  | PALLET Scrubber 40/62B/BF/A     | 1,00 |           |    | --    |
| 0008   | MIVR00135 |                  | CLAMP RUOTA POSTERIORE X IMBAL. | 2,00 |           |    | --    |

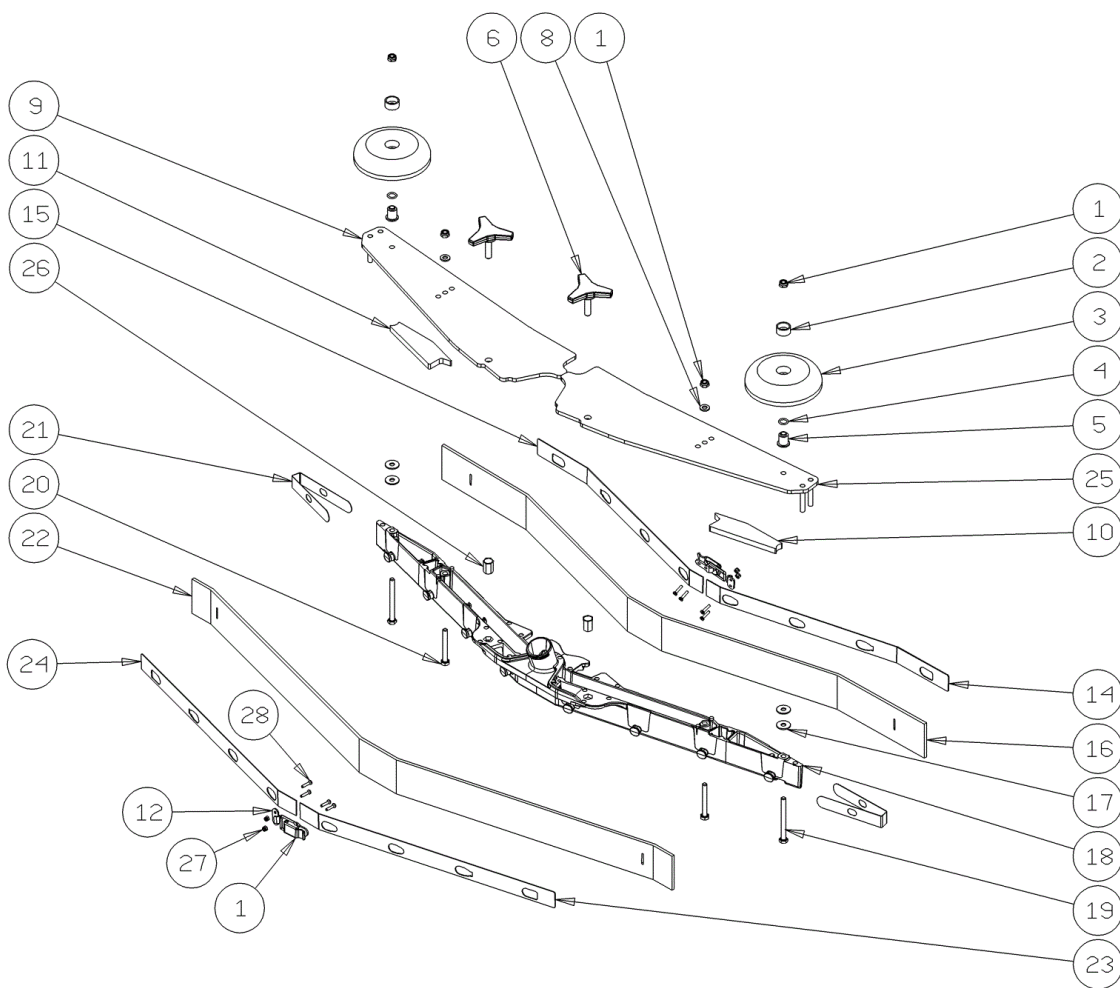


| Ref. | K | Part N.   | Customer Part N. | Description                     | Qty  | Validity: |         | Price |
|------|---|-----------|------------------|---------------------------------|------|-----------|---------|-------|
|      |   |           |                  |                                 |      | From      | To      |       |
| 0001 |   | LAFN06391 |                  | BUSHING PARALLELOGRAMMA         | 6,00 |           |         | --    |
| 0002 |   | VTVT24212 |                  | SCREW TE M 12X100 UNI 5737 INOX | 1,00 |           |         | --    |
| 0003 |   | LAFN04190 |                  | BUSHING PARALLELOGR.TEST.GR.    | 1,00 |           |         | --    |
| 0004 |   | LAFN07593 |                  | BRACKET LIFTING BRUSH HEAD      | 1,00 |           |         | --    |
| 0005 |   | LAFN07602 |                  | LEVER -                         | 1,00 |           | 06/2013 | --    |
| 0005 |   | LAFN09270 |                  | PEDALE -                        | 1,00 | 07/2013   |         | --    |
| 0006 |   | LAFN07603 |                  | BRACKET -                       | 2,00 |           |         | --    |
| 0007 |   | MPVR04734 |                  | BLOCK TERGI                     | 1,00 |           |         | --    |
| 0008 |   | LAFN09006 |                  | PIN -                           | 1,00 |           |         | --    |
| 0009 |   | LAFN51068 |                  | BUSHING LEVA POSTER.            | 1,00 |           |         | --    |
| 0010 |   | VTRS13946 |                  | WASHER D. 8 X24 INX UNI 6593    | 2,00 |           |         | --    |
| 0011 |   | VTVT00161 |                  | SCREW TE M6X20                  | 1,00 |           |         | --    |
| 0012 |   | LAFN10124 |                  | PLATE -                         | 1,00 |           |         | --    |
| 0013 |   | VTDD01695 |                  | NUT M 8 INX                     | 3,00 |           |         | --    |
| 0014 |   | LAFN07606 |                  | BASE -                          | 1,00 |           |         | --    |
| 0015 |   | RTRT00395 |                  | WHEEL CASTOR D.80X25 PU         | 1,00 | 08/2012   |         | --    |
| 0015 |   | RTRT00518 |                  | WHEEL CASTOR D.80X30            | 1,00 |           | 08/2012 | --    |
| 0016 |   | LAFN05853 |                  | LEVER ARM SOLLEVAMENTO TERGI    | 2,00 |           |         | --    |
| 0017 |   | MLML34726 |                  | SPRING TR E350 N                | 1,00 |           |         | --    |
| 0018 |   | VTDD15521 |                  | NUT M 8 INX A2 UNI 5588         | 2,00 |           |         | --    |
| 0019 |   | LAFN03840 |                  | BUSHING                         | 1,00 |           |         | --    |
| 0020 |   | VTVT15917 |                  | SCREW TE M 8X50 INOX A2 UNI     | 1,00 |           |         | --    |
| 0021 |   | VTVT15907 |                  | SCREW TE 8X25 UNI5739 INX       | 3,00 |           |         | --    |
| 0023 |   | VTRS00274 |                  | WASHER NYLON 66 D.8,4-17-2 UNI  | 1,00 |           |         | --    |
| 0026 |   | MLML00303 |                  | SPRING REGISTRAZIONE FLAP       | 1,00 |           |         | --    |
| 0027 |   | LAFN07563 |                  | ARM -                           | 1,00 |           |         | --    |
| 0028 |   | LAFN06389 |                  | ARM PARALLELOGRAMMA             | 1,00 |           |         | --    |
| 0029 |   | MPVR75799 |                  | FOOT 20x9 M 6x18                | 1,00 |           |         | --    |
| 0030 |   | VTVR00215 |                  | CARRYNG BAG                     | 1,00 |           |         | --    |
| 0031 |   | VTVT00410 |                  | SCREW TE M8x35 UNI5739 INOX     | 1,00 |           |         | --    |
| 0032 |   | LAFN07560 |                  | PLATE -                         | 1,00 |           |         | --    |
| 0033 |   | MPVR05186 |                  | COVER -                         | 1,00 |           |         | --    |
| 0035 |   | VTDD00176 |                  | NUT M.12 INOX A2 BASSO AUTOB.   | 1,00 |           |         | --    |
| 0037 |   | VTVT15907 |                  | SCREW TE 8X25 UNI5739 INX       | 4,00 |           |         | --    |
| 0038 |   | VTDD01695 |                  | NUT M 8 INX                     | 1,00 |           |         | --    |
| 0040 |   | VTDD01694 |                  | NUT M6 INOX                     | 5,00 |           |         | --    |
| 0041 |   | VTRS00245 |                  | WASHER D.6 UNI 6592 INOX        | 1,00 |           |         | --    |
| 0043 |   | VTVT01683 |                  | SCREW TE 6X40                   | 4,00 |           |         | --    |
| 0045 |   | VTVT01684 |                  | SCREW TE 6X45                   | 1,00 |           |         | --    |

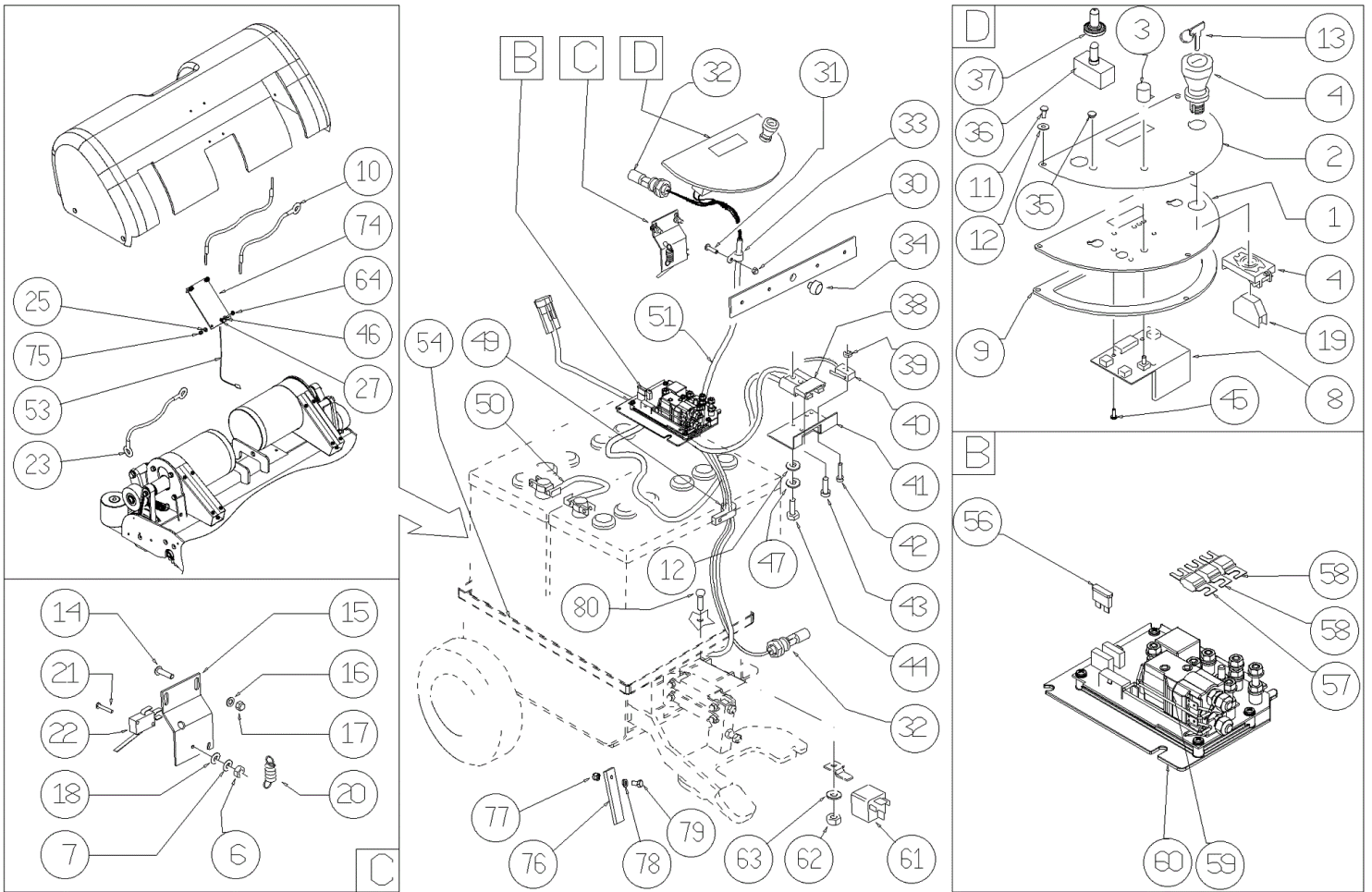




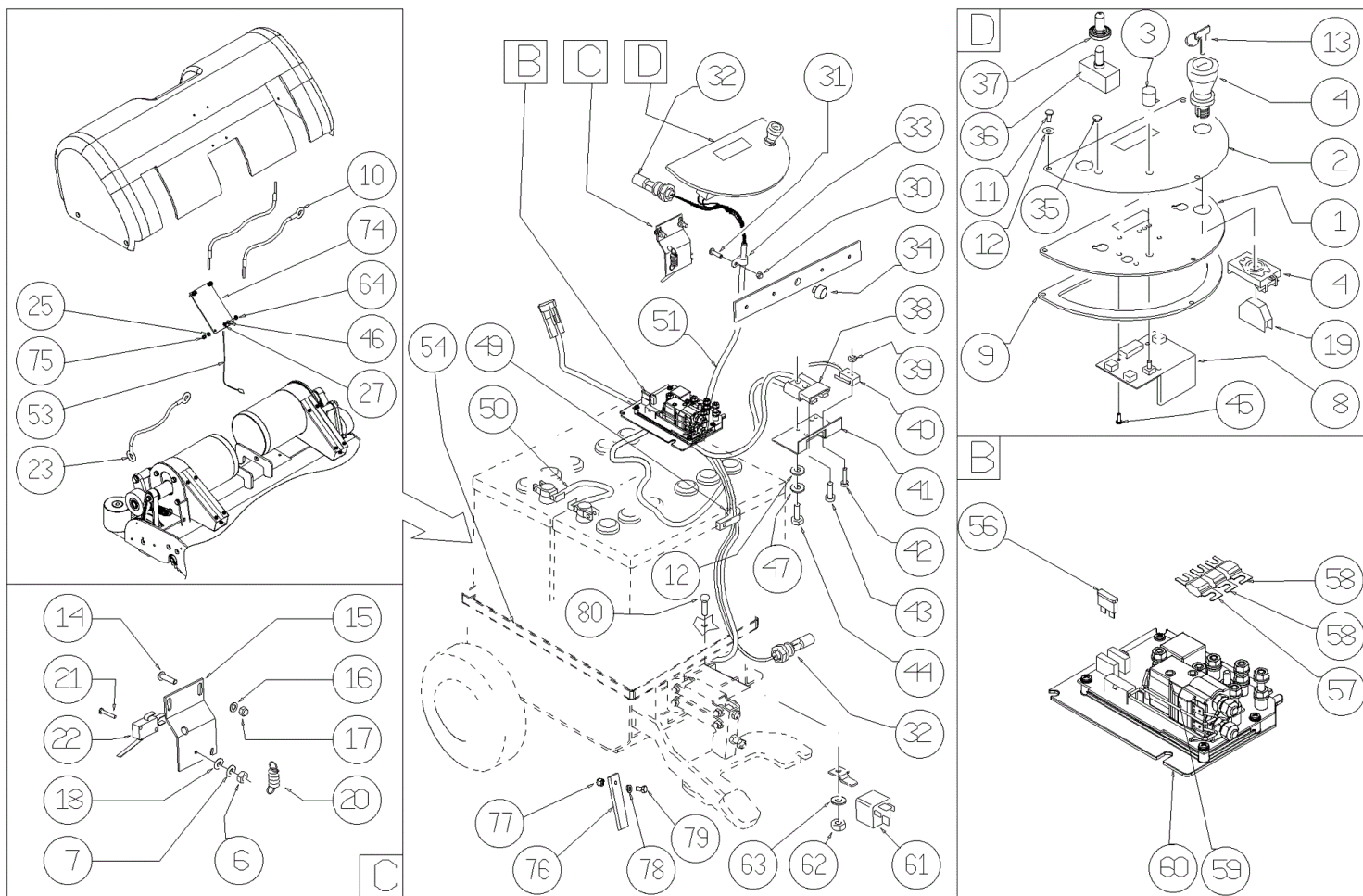
| Ref. | K | Part N.   | Customer Part N. | Description                   | Qty  | Validity: |    | Price |
|------|---|-----------|------------------|-------------------------------|------|-----------|----|-------|
|      |   |           |                  |                               |      | From      | To |       |
| 0046 |   | LAFN06898 |                  | SPACER 6-8 h15                | 1,00 |           |    | --    |
| 0047 |   | VTRS15146 |                  | WASHER D. 8 INX GRW UNI 1751  | 4,00 |           |    | --    |
| 0048 |   | LAFN08999 |                  | BRACKET -                     | 1,00 |           |    | --    |
| 0049 |   | VTVT13938 |                  | SCREW TE 8X20 UNI5739 INX     | 1,00 |           |    | --    |
| 0050 |   | VTRS13945 |                  | WASHER D. 6X18 INX UNI 6593   | 1,00 |           |    | --    |
| 0051 |   | LAFN07634 |                  | BRACKET -                     | 2,00 |           |    | --    |
| 0052 |   | LAFN51068 |                  | BUSHING LEVA POSTER.          | 1,00 |           |    | --    |
| 0053 |   | LAFN07638 |                  | LEVER -                       | 1,00 |           |    | --    |
| 0054 |   | VTVT00410 |                  | SCREW TE M8x35 UNI5739 INOX   | 1,00 |           |    | --    |
| 0055 |   | VTRS13947 |                  | WASHER D. 8 INX UNI 6592      | 1,00 |           |    | --    |
| 0056 |   | VTVT15145 |                  | SCREW TE 6X40 UNI5739 INX     | 1,00 |           |    | --    |
| 0057 |   | LAFN51068 |                  | BUSHING LEVA POSTER.          | 1,00 |           |    | --    |
| 0058 |   | VTRS13946 |                  | WASHER D. 8 X24 INX UNI 6593  | 1,00 |           |    | --    |
| 0059 |   | LAFN06735 |                  | SPACER 6-8 H31.5              | 1,00 |           |    | --    |
| 0060 |   | VTRS13946 |                  | WASHER D. 8 X24 INX UNI 6593  | 1,00 |           |    | --    |
| 0061 |   | LAFN06391 |                  | BUSHING PARALLELOGRAMMA       | 1,00 |           |    | --    |
| 0062 |   | VTRS13945 |                  | WASHER D. 6X18 INX UNI 6593   | 1,00 |           |    | --    |
| 0063 |   | VTDD01694 |                  | NUT M6 INOX                   | 1,00 |           |    | --    |
| 0064 |   | LAFN07635 |                  | BRACKET -                     | 1,00 |           |    | --    |
| 0065 |   | VTVT15141 |                  | SCREW TE M 6X 25 UNI 5739 INX | 2,00 |           |    | --    |
| 0066 |   | VTRS13945 |                  | WASHER D. 6X18 INX UNI 6593   | 2,00 |           |    | --    |
| 0067 |   | LAFN06898 |                  | SPACER 6-8 h15                | 2,00 |           |    | --    |
| 0068 |   | LAFN06391 |                  | BUSHING PARALLELOGRAMMA       | 2,00 |           |    | --    |
| 0069 |   | VTRS13945 |                  | WASHER D. 6X18 INX UNI 6593   | 2,00 |           |    | --    |
| 0070 |   | VTDD01694 |                  | NUT M6 INOX                   | 2,00 |           |    | --    |
| 0071 |   | VTRS13946 |                  | WASHER D. 8 X24 INX UNI 6593  | 1,00 |           |    | --    |
| 0072 |   | VTDD01695 |                  | NUT M 8 INX                   | 1,00 |           |    | --    |
| 0073 |   | VTVT15143 |                  | SCREW TE 6X16 UNI5739         | 2,00 |           |    | --    |
| 0074 |   | VTRS15144 |                  | WASHER D. 6 INX GRW UNI 1751  | 2,00 |           |    | --    |
| 0075 |   | VTRS13945 |                  | WASHER D. 6X18 INX UNI 6593   | 1,00 |           |    | --    |
| 0076 |   | VTVT00224 |                  | SCREW                         | 1,00 |           |    | --    |
| 0077 |   | LAFN06860 |                  | BRACKET CT70                  | 1,00 |           |    | --    |
| 0078 |   | VTDD01695 |                  | NUT M 8 INX                   | 1,00 |           |    | --    |
| 0079 |   | VTRS13947 |                  | WASHER D. 8 INX UNI 6592      | 1,00 |           |    | --    |
| 0080 |   | VTRS15978 |                  | WASHER D.12X24 UNI 6592 INX   | 1,00 |           |    | --    |
| 0081 |   | VTRS15146 |                  | WASHER D. 8 INX GRW UNI 1751  | 1,00 | 03/2013   |    | --    |



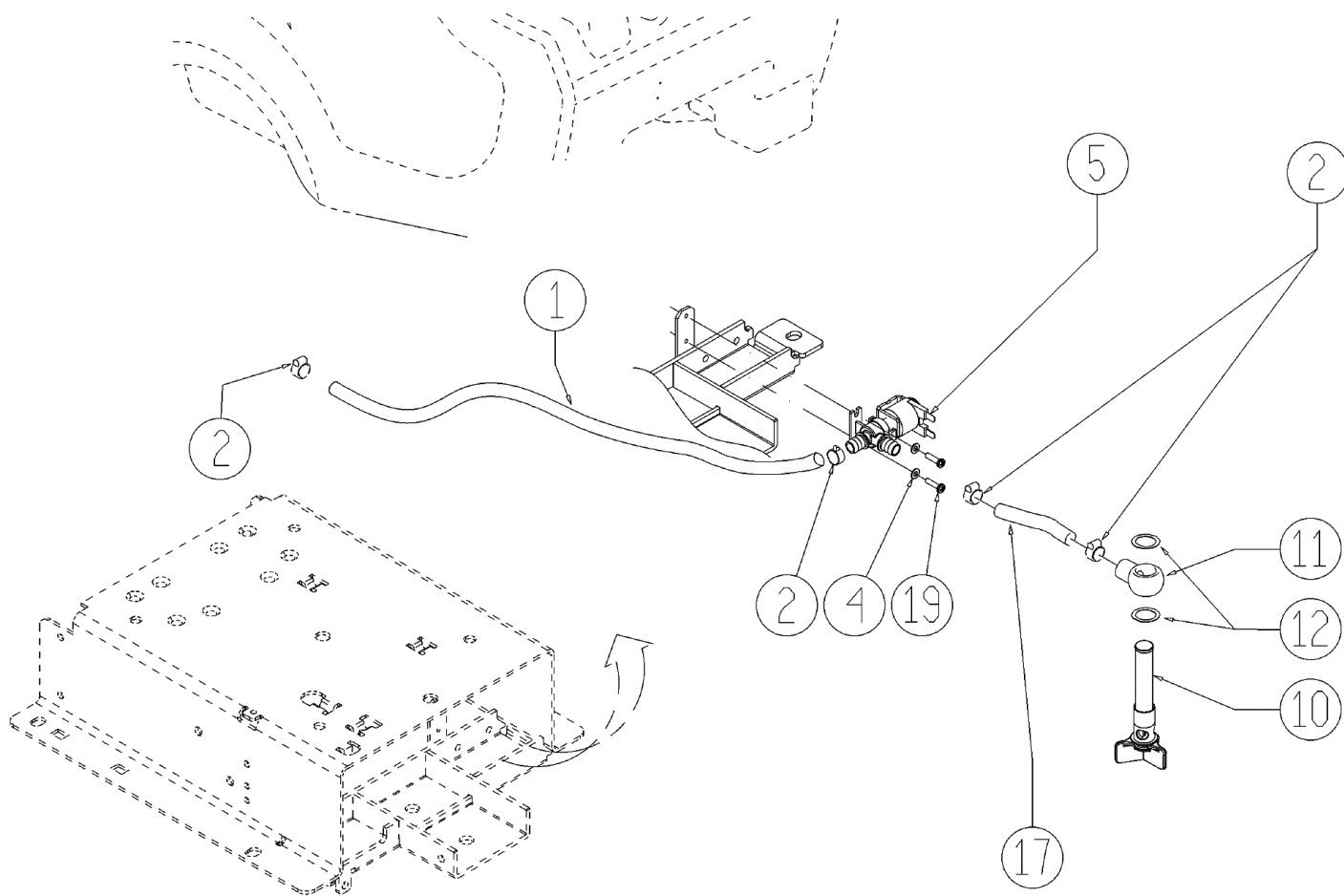
| Ref. | K | Part N.   | Customer Part N. | Description                      | Qty  | Validity: |         | Price |
|------|---|-----------|------------------|----------------------------------|------|-----------|---------|-------|
|      |   |           |                  |                                  |      | From      | To      |       |
| 0001 |   | LAFN09302 |                  | CLOSURE -                        | 2,00 | 09/2013   |         | --    |
| 0002 |   | MPVR49229 |                  | BUSHING SHK                      | 2,00 |           |         | --    |
| 0003 |   | MPVR05290 |                  | ROLLER PARACOLPI                 | 2,00 |           |         | --    |
| 0004 |   | GUGO00164 |                  | GASKET                           | 2,00 |           |         | --    |
| 0005 |   | LAFN04100 |                  | SPACER PER RUOTINO PARACOLPI     | 2,00 |           |         | --    |
| 0006 |   | MPVR06003 |                  | KNOB AISI 304                    | 2,00 |           | 03/2013 | --    |
| 0006 |   | MPVR06004 |                  | KNOB AISI 304                    | 2,00 | 03/2013   |         | --    |
| 0008 |   | VTRS00245 |                  | WASHER D.6 UNI 6592 INOX         | 2,00 |           |         | --    |
| 0009 |   | LAFN09012 |                  | PLATE -                          | 1,00 |           |         | --    |
| 0010 |   | GUVR00301 |                  | GASKET -                         | 1,00 |           |         | --    |
| 0011 |   | GUVR00300 |                  | GASKET -                         | 1,00 |           |         | --    |
| 0012 |   | LAFN09301 |                  | SOCKET -                         | 2,00 | 09/2013   |         | --    |
| 0014 |   | LAFN08948 |                  | BRACKET -                        | 1,00 |           | 09/2013 | --    |
| 0014 |   | LAFN09279 |                  | SHEET METAL PA.-                 | 1,00 | 09/2013   |         | --    |
| 0015 |   | LAFN08949 |                  | BRACKET -                        | 1,00 |           | 09/2013 | --    |
| 0015 |   | LAFN09280 |                  | SHEET METAL PA.-                 | 1,00 | 09/2013   |         | --    |
| 0016 |   | MPVR05800 |                  | RUBBER BLADE FRONT SQUEEGEE S PU | 1,00 |           |         | --    |
| 0017 |   | VTRS13945 |                  | WASHER D. 6X18 INX UNI 6593      | 4,00 |           |         | --    |
| 0018 |   | KTRI02048 |                  | BODY SQUEEGEE PRESSOFUSO "S"     | 1,00 |           |         | --    |
| 0019 |   | VTVT00841 |                  | SCREW TE M 6X65 UNI 5739 INX     | 2,00 |           |         | --    |
| 0020 |   | VTVT15515 |                  | SCREW TE M 6X 50 INOX A2         | 2,00 |           |         | --    |
| 0021 |   | MPVR05897 |                  | CLOSURE S                        | 2,00 |           |         | --    |
| 0022 |   | MPVR05802 |                  | RUBBER REAR SQUEEGEE S PU        | 1,00 |           |         | --    |
| 0023 |   | LAFN08950 |                  | BRACKET -                        | 1,00 |           | 09/2013 | --    |
| 0023 |   | LAFN09281 |                  | SHEET METAL PA.-                 | 1,00 | 09/2013   |         | --    |
| 0024 |   | LAFN08951 |                  | BRACKET -                        | 1,00 |           | 09/2013 | --    |
| 0024 |   | LAFN09283 |                  | SHEET METAL PA.-                 | 1,00 | 09/2013   |         | --    |
| 0025 |   | LAFN09013 |                  | PLATE -                          | 1,00 |           |         | --    |
| 0026 |   | VTVR00565 |                  | INSERT                           | 2,00 |           |         | --    |
| 0027 |   | VTDD00210 |                  | NUT M 3 INOX                     | 8,00 | 09/2013   |         | --    |
| 0028 |   | VTVT01070 |                  | SCREW TSTC M3X8                  | 8,00 | 09/2013   |         | --    |



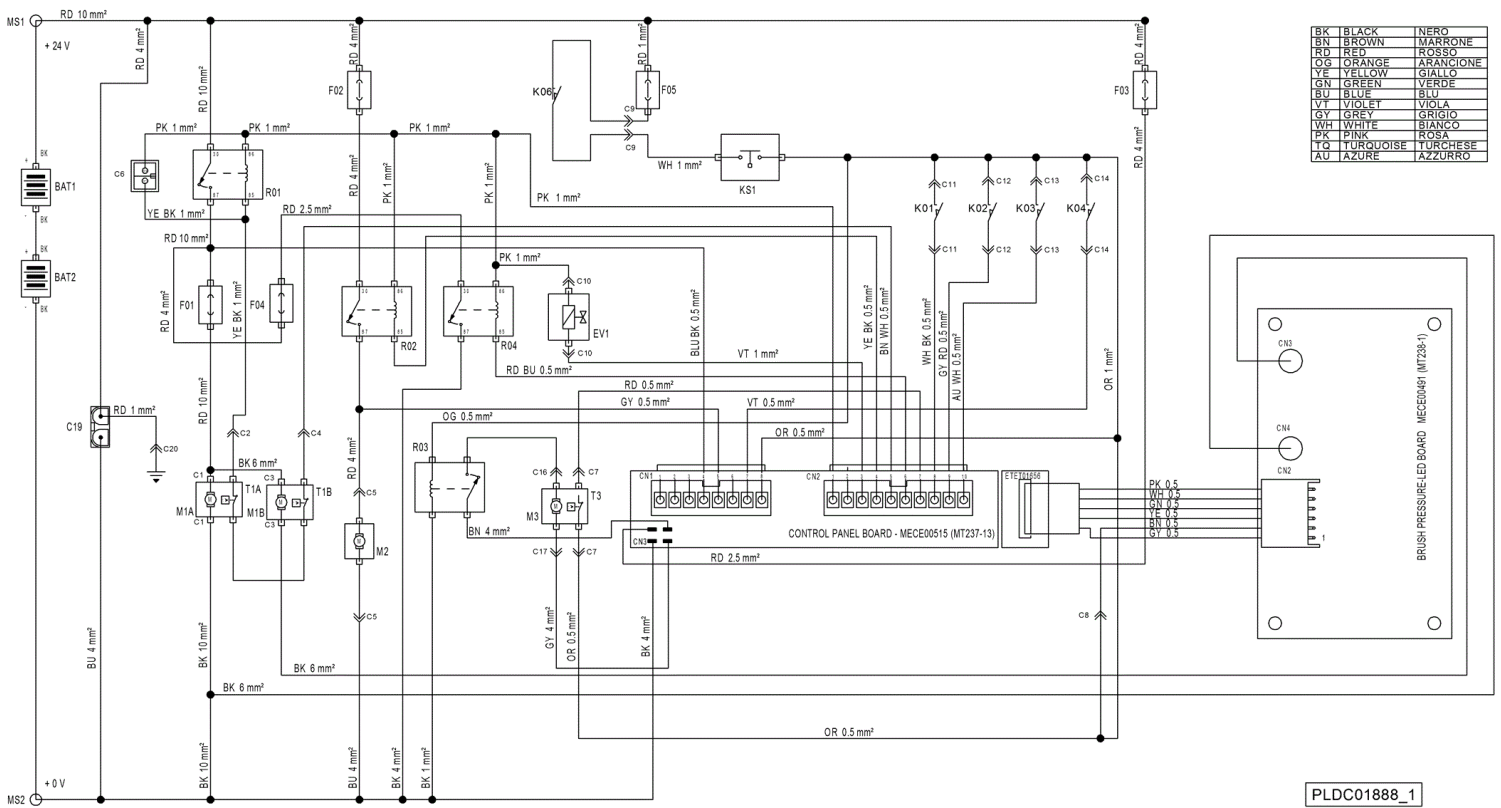
| Ref. | K | Part N.   | Customer Part N. | Description                     | Qty  | Validity: |         | Price |
|------|---|-----------|------------------|---------------------------------|------|-----------|---------|-------|
|      |   |           |                  |                                 |      | From      | To      |       |
| 0001 |   | LAFN08989 |                  | SUPPORT -                       | 1,00 |           |         | --    |
| 0002 |   | ETET01710 |                  | LABEL -                         | 1,00 |           |         | --    |
| 0003 |   | MEVR01666 |                  | KNOB POTENTIOMETER              | 1,00 |           |         | --    |
| 0004 |   | MECI00402 |                  | BUTTON A FUNGO                  | 1,00 |           |         | --    |
| 0006 |   | VTDD21115 |                  | NUT M 3 INOX                    | 1,00 |           |         | --    |
| 0007 |   | VTRS00268 |                  | WASHER D.3                      | 5,00 |           |         | --    |
| 0008 |   | MECB01329 |                  | BOARD BT CT70 H2O - NEW         | 1,00 | 06/2013   |         | --    |
| 0008 |   | MECE00474 |                  | BOARD CT70 EV                   | 1,00 |           | 06/2013 | --    |
| 0009 |   | GUGO38417 |                  | GASKET PANN.COM.EXTREME         | 1,00 |           |         | --    |
| 0011 |   | VTVT37012 |                  | SCREW M 4X 10 TCB-TC INX        | 3,00 |           |         | --    |
| 0012 |   | VTRS00515 |                  | WASHER D. 4 INX                 | 9,00 |           |         | --    |
| 0013 |   | CHVR00051 |                  | DIASASS.SPANNERPULSANTE FUNGO   | 1,00 |           |         | --    |
| 0014 |   | VTVT07725 |                  | SCREW TE 5X16 UNI5739 INX       | 2,00 |           |         | --    |
| 0015 |   | LAFN05904 |                  | PLATE MICRO LEVA                | 1,00 |           |         | --    |
| 0016 |   | VTRS00516 |                  | WASHER D. 5 INX                 | 2,00 |           |         | --    |
| 0017 |   | VTDD01693 |                  | NUT M 5 INX                     | 4,00 |           |         | --    |
| 0018 |   | VTRS21116 |                  | WASHER D. 3 INX                 | 2,00 |           |         | --    |
| 0019 |   | MECI00403 |                  | CONTACT -                       | 1,00 |           |         | --    |
| 0020 |   | MLML34726 |                  | SPRING TR E350 N                | 1,00 |           |         | --    |
| 0021 |   | VTVT01316 |                  | SCREW TC+ M3-16                 | 2,00 |           |         | --    |
| 0022 |   | MECI36393 |                  | MICROSWITCH TRZ. DRW            | 1,00 |           |         | --    |
| 0025 |   | VTRS21116 |                  | WASHER D. 3 INX                 | 4,00 |           |         | --    |
| 0027 |   | VTDD21115 |                  | NUT M 3 INOX                    | 4,00 |           |         | --    |
| 0030 |   | VTDD15925 |                  | NUT M 4 INX                     | 1,00 |           |         | --    |
| 0031 |   | VTVT00704 |                  | SCREW TE M 4X 16 UNI5739 INOX   | 1,00 |           |         | --    |
| 0032 |   | MECI00516 |                  | SENSOR DI LIVELLO ORIZZONTALE   | 2,00 |           |         | --    |
| 0033 |   | FSVR00099 |                  | CLAMP FERMATUBO                 | 1,00 |           |         | --    |
| 0034 |   | MPVR00043 |                  | CAP CHIUS.FORO PORTAFUS.L 15    | 1,00 |           |         | --    |
| 0035 |   | RCVR00164 |                  | CARRYNG BAG                     | 1,00 |           |         | --    |
| 0036 |   | MECI30499 |                  | SWITCH 10A - 250VAC             | 1,00 |           |         | --    |
| 0037 |   | MEVR01975 |                  | RUBBER DEVIATORE                | 1,00 |           |         | --    |
| 0038 |   | MEVR01707 |                  | CONNECTOR -                     | 1,00 |           |         | --    |
| 0039 |   | VTDD08634 |                  | NUT M2                          | 2,00 |           |         | --    |
| 0040 |   | MECI00334 |                  | MICROSWITCH V4                  | 1,00 |           |         | --    |
| 0041 |   | LAFN06409 |                  | SUPPORT -                       | 1,00 |           |         | --    |
| 0042 |   | VTVT00671 |                  | SCREW TC- M.2-16 OTTONE         | 2,00 |           |         | --    |
| 0043 |   | VTVT00872 |                  | SCREW TSP+ 2.9X13 AUTOFIL. INOX | 1,00 |           |         | --    |
| 0044 |   | VTVT00814 |                  | SCREW TE M.4-25                 | 2,00 |           |         | --    |
| 0045 |   | VTVT00722 |                  | SCREW                           | 3,00 |           |         | --    |



| Ref. | K | Part N.   | Customer Part N. | Description                    | Qty  | Validity: |         | Price |
|------|---|-----------|------------------|--------------------------------|------|-----------|---------|-------|
|      |   |           |                  |                                |      | From      | To      |       |
| 0046 |   | VTRS21116 |                  | WASHER D. 3 INX                | 4,00 |           |         | --    |
| 0047 |   | VTRS15913 |                  | WASHER D. 4 GROVER A2 UNI1751  | 2,00 |           |         | --    |
| 0049 |   | FSVR00099 |                  | CLAMP FERMATUBO                | 1,00 |           |         | --    |
| 0050 |   | MEVR34820 |                  | WIRING B 450 BT                | 1,00 |           |         | --    |
| 0051 |   | MECB01302 |                  | WIRING CT40-70 BT              | 1,00 |           | 06/2013 | --    |
| 0051 |   | MECB01334 |                  | WIRING CT40-55-70 BT           | 1,00 | 06/2013   |         | --    |
| 0053 |   | MECB01127 |                  | CABLE -                        | 1,00 |           |         | --    |
| 0056 |   | MEVR01428 |                  | FUSE A LAMA 2 A. UNIVAL        | 1,00 |           |         | --    |
| 0057 |   | MEVR02061 |                  | FUSE 80A                       | 1,00 |           |         | --    |
| 0058 |   | MEVR02060 |                  | FUSE 40A                       | 2,00 |           |         | --    |
| 0059 |   | METT00085 |                  | CONTACTOR 100A                 | 1,00 |           |         | --    |
| 0060 |   | MECE00574 |                  | BOARD CT40-70-90               | 1,00 |           |         | --    |
| 0061 |   | MECI00005 |                  | RELAY 24V 10/20A               | 1,00 |           |         | --    |
| 0062 |   | VTDD01694 |                  | NUT M6 INOX                    | 1,00 |           |         | --    |
| 0063 |   | VTRS00245 |                  | WASHER D.6 UNI 6592 INOX       | 1,00 |           |         | --    |
| 0064 |   | VTVT00654 |                  | SCREW TC+ M.3-20               | 4,00 |           |         | --    |
| 0074 |   | MECE00491 |                  | BOARD 40ECS CURRENT READER LED | 1,00 |           |         | --    |
| 0076 |   | MPVR04693 |                  | RUBBER FUGGISCOSSA             | 1,00 |           |         | --    |
| 0077 |   | VTDD01694 |                  | NUT M6 INOX                    | 1,00 |           |         | --    |
| 0078 |   | VTRS00245 |                  | WASHER D.6 UNI 6592 INOX       | 1,00 |           |         | --    |
| 0079 |   | VTVT15143 |                  | SCREW TE 6X16 UNI5739          | 1,00 |           |         | --    |
| 0080 |   | VTVT01676 |                  | SCREW TSTC UNI 7688 M6X16      | 1,00 |           |         | --    |



| Ref. | K | Part N.   | Customer Part N. | Description                       | Qty  | Validity: |         | Price |
|------|---|-----------|------------------|-----------------------------------|------|-----------|---------|-------|
|      |   |           |                  |                                   |      | From      | To      |       |
| 0001 |   | TBFX48011 |                  | TUBE FLEX D.12X3 ARMORV.PVC TR    | 1,05 |           |         | --    |
| 0002 |   | FSVR00428 |                  | CLAMP D. 12-20                    | 4,00 |           |         | --    |
| 0004 |   | VTRS00515 |                  | WASHER D. 4 INX                   | 2,00 |           |         | --    |
| 0005 |   | MEEV00036 |                  | SOLENOID VALVE HOLE 8mm CLEANTIME | 1,00 |           |         | --    |
| 0010 |   | MPVR05221 |                  | FILTER COMPLETO                   | 1,00 |           | 02/2013 | --    |
| 0010 |   | MPVR06303 |                  | FILTER CT40-70-90                 | 1,00 | 02/2013   |         | --    |
| 0011 |   | LAFN07783 |                  | CONNECTOR -                       | 1,00 |           |         | --    |
| 0012 |   | VTRS00567 |                  | WASHER 1/2                        | 2,00 |           |         | --    |
| 0017 |   | TBFX48011 |                  | TUBE FLEX D.12X3 ARMORV.PVC TR    | 0,17 |           |         | --    |
| 0019 |   | VTVT01158 |                  | SCREW M4x16                       | 2,00 |           |         | --    |



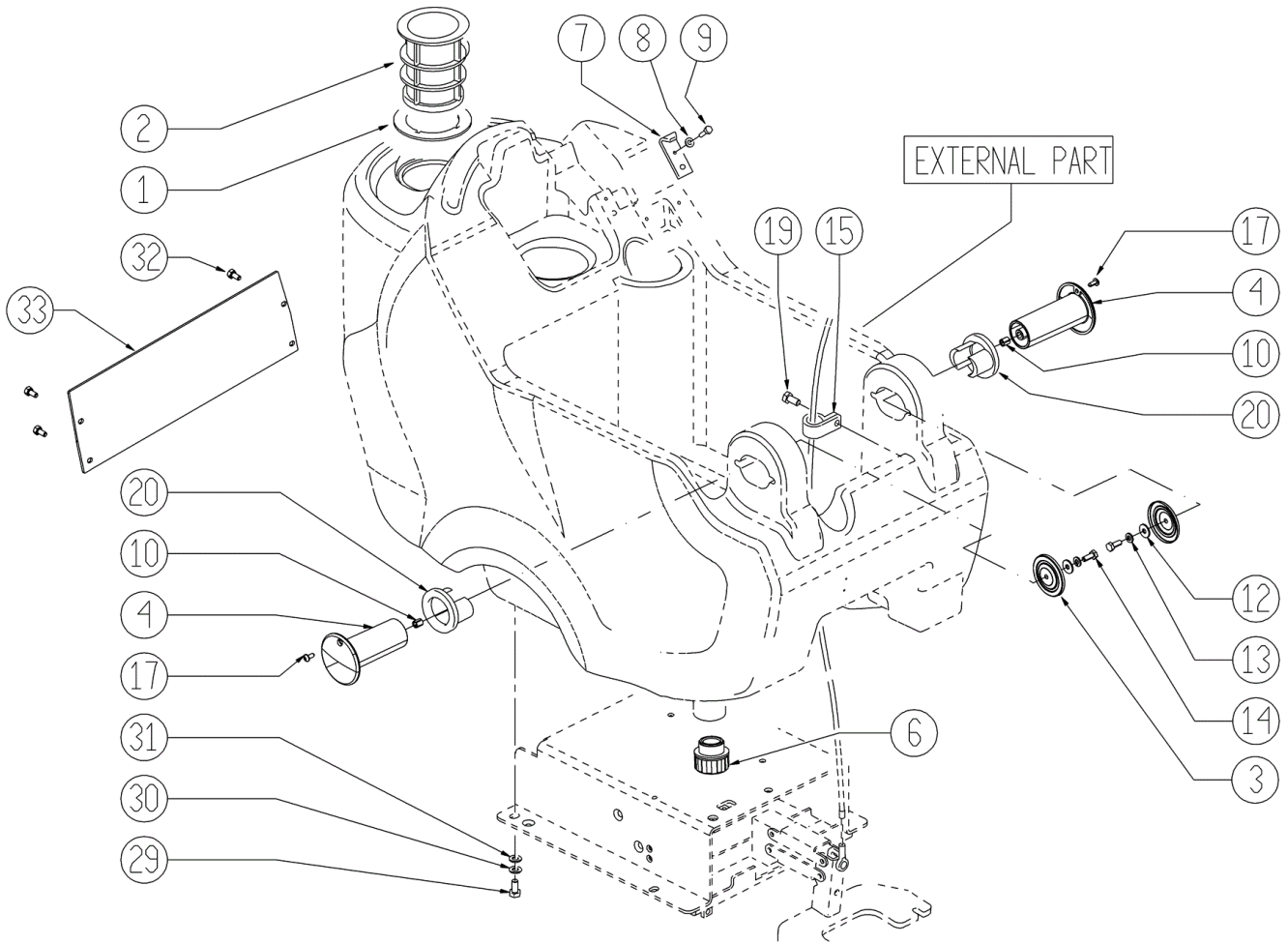
| Ref. | K | Part N.   | Customer Part N. | Description                       | Qty  | Validity: |    | Price |
|------|---|-----------|------------------|-----------------------------------|------|-----------|----|-------|
|      |   |           |                  |                                   |      | From      | To |       |
| EV1  |   | MEEV00036 |                  | SOLENOID VALVE HOLE 8mm CLEANTIME | 1,00 |           |    | --    |
| F01  |   | MEVR02061 |                  | FUSE 80A                          | 1,00 |           |    | --    |
| F02  |   | MEVR02060 |                  | FUSE 40A                          | 1,00 |           |    | --    |
| F03  |   | MEVR02061 |                  | FUSE 80A                          | 1,00 |           |    | --    |
| F04  |   | MEVR02060 |                  | FUSE 40A                          | 1,00 |           |    | --    |
| F05  |   | MEVR01428 |                  | A LAMA 2 A. UNIVAL                | 1,00 |           |    | --    |

| COMPONENTS |                                     |                                     |
|------------|-------------------------------------|-------------------------------------|
| F01        | FUSE- BRUSH MOTORS (80 A)           | FUSIBILE SPAZZOLE POTENZA (80 A)    |
| F02        | FUSE-VACUUM MOTOR (40 A)            | FUSIBILE ASPIRATORE POTENZA (40 A)  |
| F03        | FUSE-TRACTION MOTORS (80 A)         | FUSIBILE MOTORE TRAZIONE (80 A)     |
| F04        | FUSE-BRUSHES RELEASE (40 A)         | FUSIBILE SGANCIO SPAZZOLE (40 A)    |
| F05        | FUSE-CONTROL PANEL (2 A)            | FUSIBILE PLANCIA (2 A)              |
| R01        | RELAY- BRUSH MOTORS                 | TELERUTTORE SPAZZOLE                |
| R02        | RELAY- VACUUM MOTOR                 | RELE' ASPITATORE                    |
| R03        | RELAY- TRACTION MOTOR               | RELE' MOTORE TRAZIONE               |
| R04        | RELAY- BRUSH RELEASE                | RELE' SCANCIO SPAZZOLE              |
| EV1        | ELECTRO-VALVE                       | ELETTROVALVOLA ACQUA                |
| KS1        | GENERAL KEY                         | CHIAVE AVVIAMENTO                   |
| K01        | SWITCH- HAND LEVER                  | INTERRUTTORE LEVA TRAZIONE          |
| K02        | SWITCH- RECOVERY TANK LEVEL (MAX)   | LIVELLO TROPPO PIENO (N.O.)         |
| K03        | SWITCH- SOLUTION TANK LEVEL ( MIN ) | LIVELLO MINIMO SERBATOIO (N.O.)     |
| K04        | SWITCH- FORWARD / REWARD            | INTERRUTTORE MARCIA AVANTI INDIETRO |
| K06        | SWITCH- BATTERY RECHARGE SAFETY     | MICRO SICUREZZA RICARICA BATTERIE   |
| M1A        | MOTOR- BRUSH 1                      | MOTORE SPAZZOLA -1                  |
| M1B        | MOTOR- BRUSH 2                      | MOTORE SPAZZOLA -2                  |
| M2         | MOTOR- VACUUM                       | MOTORE ASPIRATORE                   |
| M3         | MOTOR- TRACTION                     | MOTORE TRAZIONE                     |
| T1A        | THERMIC SWITCH BRUSH MOTOR 1        | TERMICA MOTORE SPAZZOLA -1          |
| T1B        | THERMIC SWITCH BRUSH MOTOR 2        | TERMICA MOTORE SPAZZOLA -2          |
| T3         | THERMIC SWITCH TRACTION MOTOR       | TERMICA MOTORE TRAZIONE             |

| COMPONENTS |   |                                      |
|------------|---|--------------------------------------|
| MS1        | CONNECTOR- BATTERY POSITIVE             | MORSETTO BATTERIA POSITIVO           |
| MS2        | CONNECTOR- BATTERY NEGATIVE             | MORSETTO BATTERIA NEGATIVO           |
| C1         | CONNECTOR- BRUSH MOTOR 1                | CONN. MOTORE SPAZZOLA -1             |
| C2         | CONNECTOR- THERMIC SW. BRUSH MOTOR 1    | CONN. TERMICA MOTORE SPAZZOLA -1     |
| C3         | CONNECTOR- BRUSH MOTOR 2                | CONN. MOTORE SPAZZOLA -2             |
| C4         | CONNECTOR- THERMIC SW. BRUSH MOTOR 2    | CONN. TERMICA MOTORE SPAZZOLA -2     |
| C5         | CONNECTOR- VACUUM MOTOR                 | CONN. MOTORE ASPIRAZIONE             |
| C6         | CONNECTOR- "CHEM DOSE" ACCESSORY        | CONN. CHEM-DOS                       |
| C7         | CONNECTOR THERMIC SWITCH-TRACTION MOTOR | CONN. TERMICA MOTORE TRAZIONE        |
| C8         | CONNECTOR- PRESSURE BOARD               | CONN. POSITIVO SCHEDA PRESSIONE      |
| C9         | CONNECTOR- BATTERY RECHARGE SAFETY      | CONN.SICUREZZA RICARICA BATTERIE     |
| C10        | CONNECTOR- BOARD/ ELECTROVALVE          | CONN. E.V. H2O DA SCHEDA ELETTRONICA |
| C11        | CONNECTOR- HAND LEVER                   | CONN. LEVA TRAZIONE                  |
| C12        | CONNECTOR- RECOVERY TANK LEVEL (MAX)    | CONN. LIVELLO TROPPO PIENO           |
| C13        | CONNECTOR- SOLUTION TANK LEVEL ( MIN )  | CONN. LIVELLO MINIMO                 |
| C14        | CONNECTOR- FORWARD / REWARD             | CONN. SELETORE MARCIA                |
| C15        | CONNECTOR- EXTERNAL BATT.CHARGER        | CONN. MICRO C.B. ESTERNO             |
| C16        | CONNECTOR- TRACTION MOTOR               | CONN. MOTORE TRAZIONE                |
| C17        | CONNECTOR- TRACTION MOTOR               | CONN. MOTORE TRAZIONE                |
| C19        | CONNECTOR- BATTERY RECHARGE             | SPINA ANDERSON RICARICA BATTERIE     |
| C20        | RING TERMINAL Ø8                        | CAPICORDA CON OCCHIELLO Ø8           |
| CN1        | CONNECTOR- CONTROL PANEL BOARD          | CONN. 1 SCHEDA PLANCIA               |
| CN2        | CONNECTOR- CONTROL PANEL BOARD          | CONN. 2 SCHEDA PLANCIA               |
| CN3        | CONNECTOR- CONTROL PANEL BOARD          | CONN. 3 SCHEDA PLANCIA               |
| CN4        | CONNECTOR- CONTROL PANEL BOARD          | CONN. 4 SCHEDA PLANCIA               |

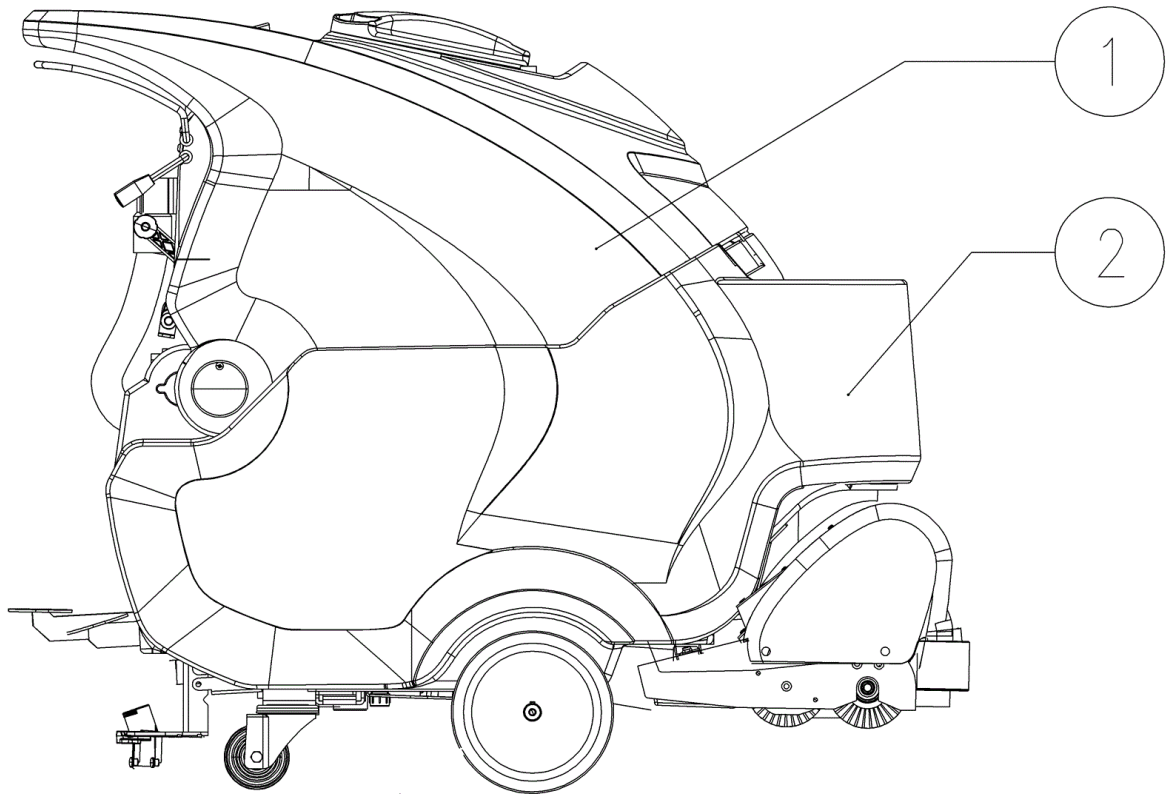
PLDC01888\_1

| Ref. | K | Part N.   | Customer Part N. | Description                       | Qty  | Validity: |    | Price |
|------|---|-----------|------------------|-----------------------------------|------|-----------|----|-------|
|      |   |           |                  |                                   |      | From      | To |       |
| EV1  |   | MEEV00036 |                  | SOLENOID VALVE HOLE 8mm CLEANTIME | 1,00 |           |    | --    |
| F01  |   | MEVR02061 |                  | FUSE 80A                          | 1,00 |           |    | --    |
| F02  |   | MEVR02060 |                  | FUSE 40A                          | 1,00 |           |    | --    |
| F03  |   | MEVR02061 |                  | FUSE 80A                          | 1,00 |           |    | --    |
| F04  |   | MEVR02060 |                  | FUSE 40A                          | 1,00 |           |    | --    |
| F05  |   | MEVR01428 |                  | FUSE A LAMA 2 A. UNIVAL           | 1,00 |           |    | --    |

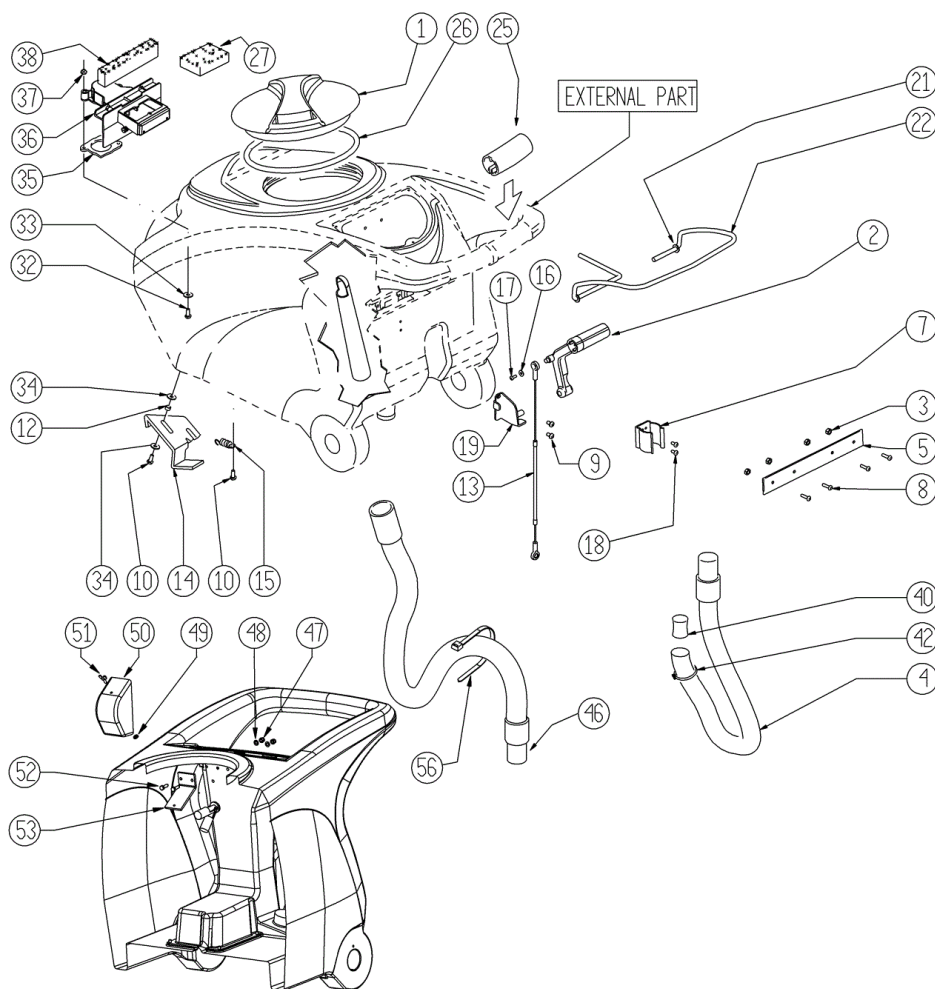


| Ref. K | Part N.   | Customer Part N. | Description                    | Qty  | Validity: |    | Price |
|--------|-----------|------------------|--------------------------------|------|-----------|----|-------|
|        |           |                  |                                |      | From      | To |       |
| 0001   | GUGO00267 |                  | GASKET FILTRO                  | 1,00 |           |    | --    |
| 0002   | FTAC00040 |                  | FILTER -                       | 1,00 |           |    | --    |
| 0003   | LAFN07800 |                  | SHEET METAL PA.-               | 2,00 |           |    | --    |
| 0004   | MPVR48695 |                  | PIN SHK.BK                     | 2,00 |           |    | --    |
| 0006   | MPVR08003 |                  | CAP                            | 1,00 |           |    | --    |
| 0007   | LAFN06489 |                  | PLATE                          | 1,00 |           |    | --    |
| 0008   | VTRS15144 |                  | WASHER D. 6 INX GRW UNI 1751   | 1,00 |           |    | --    |
| 0009   | VTVT01303 |                  | SCREW TE M6-10 INOX            | 1,00 |           |    | --    |
| 0010   | VTVR48693 |                  | INSERT M6 D.9                  | 2,00 |           |    | --    |
| 0012   | VTRS13945 |                  | WASHER D. 6X18 INX UNI 6593    | 2,00 |           |    | --    |
| 0013   | VTRS15144 |                  | WASHER D. 6 INX GRW UNI 1751   | 2,00 |           |    | --    |
| 0014   | VTVT15143 |                  | SCREW TE 6X16 UNI5739          | 2,00 |           |    | --    |
| 0015   | MPVR02933 |                  | DUCT LOCK D.9,5                | 2,00 |           |    | --    |
| 0017   | VTVT48694 |                  | SCREW TCB TC 5 X12 UNI 9707 TZ | 2,00 |           |    | --    |
| 0019   | VTVT15961 |                  | SCREW M 5X 16 TCB TC UNI 7687  | 1,00 |           |    | --    |
| 0020   | PMVR02028 |                  | RUBBER GRUPPO MONTAGGIO        | 2,00 |           |    | --    |
| 0029   | VTVT15916 |                  | SCREW TE M 8X 16 UNI 5739 A2   | 4,00 |           |    | --    |
| 0030   | VTRS00269 |                  | WASHER D. 8 DIN 6798-A INX A2  | 4,00 |           |    | --    |
| 0031   | VTRS13947 |                  | WASHER D. 8 INX UNI 6592       | 4,00 |           |    | --    |
| 0033   | MPVR05605 |                  | CLOSURE -                      | 1,00 |           |    | --    |

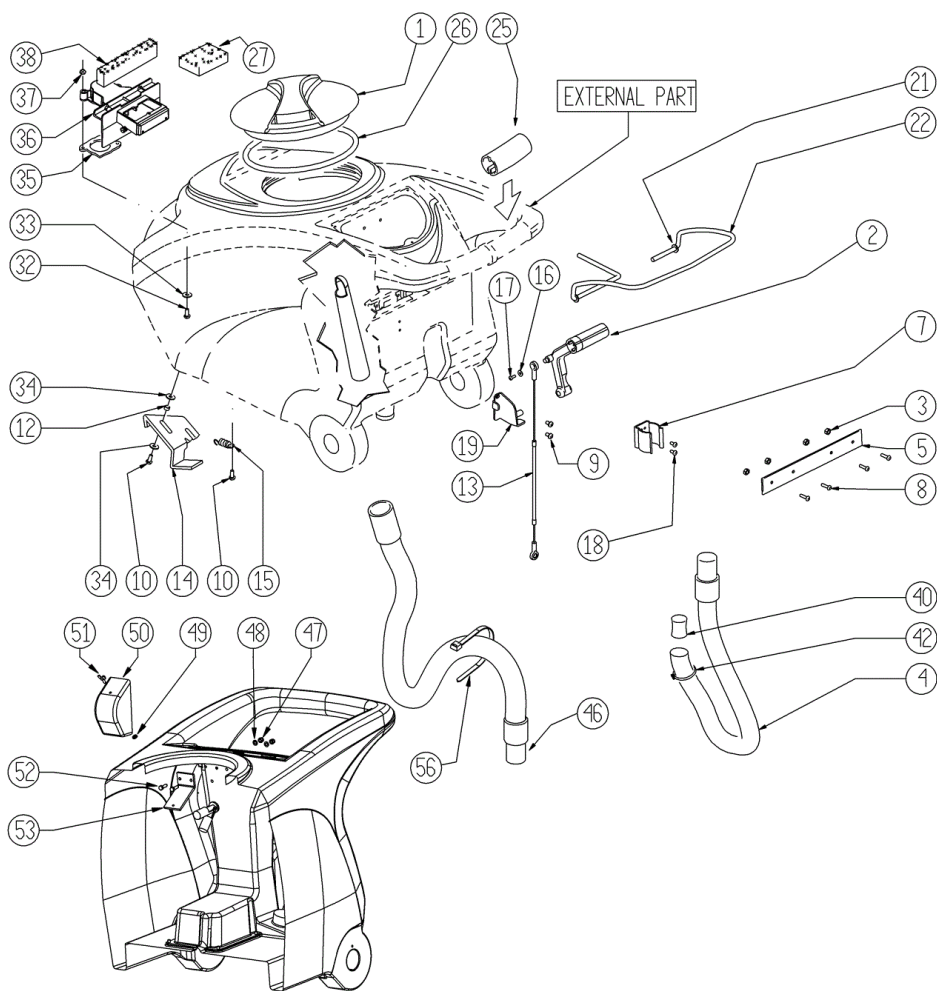




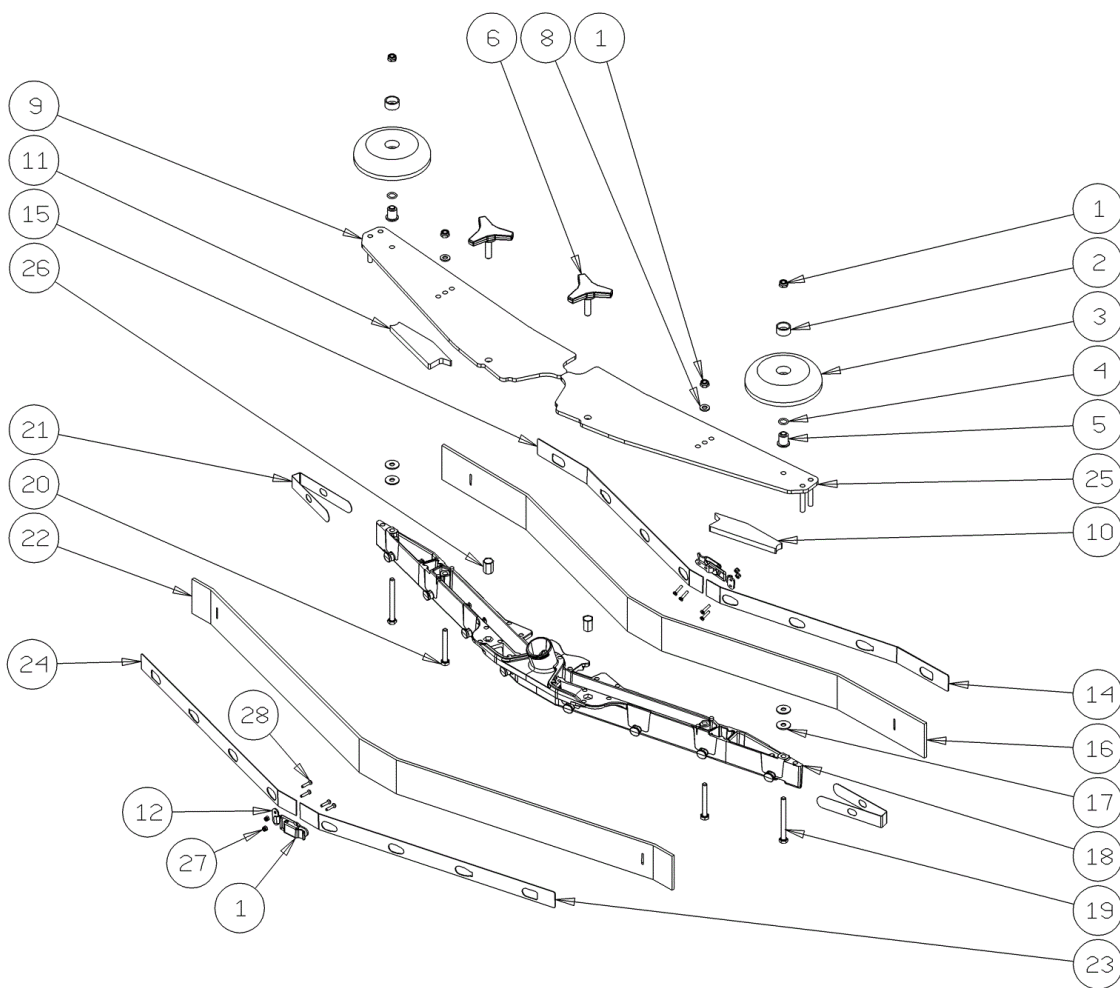
| Ref. K | Part N.   | Customer Part N. | Description         | Qty  | Validity: |    | Price |
|--------|-----------|------------------|---------------------|------|-----------|----|-------|
|        |           |                  |                     |      | From      | To |       |
| 0001   | MPVR05929 |                  | TANK SOLUZIONE CT75 | 1,00 |           |    | --    |
| 0002   | MPVR05559 |                  | TANK SOLUTION CT70  | 1,00 |           |    | --    |



| Ref. K | Part N.   | Customer Part N. | Description                     | Qty  | Validity: |         | Price |
|--------|-----------|------------------|---------------------------------|------|-----------|---------|-------|
|        |           |                  |                                 |      | From      | To      |       |
| 0001   | MPVR04051 |                  | TANK CAP                        | 1,00 |           |         | --    |
| 0002   | MPVR49942 |                  | LEVER SHK PP                    | 1,00 |           |         | --    |
| 0003   | VTDD15518 |                  | NUT M 6 INX                     | 4,00 |           |         | --    |
| 0004   | TBFX00348 |                  | TUBE CT40-70-90 HOSE DRAIN      | 1,00 |           | 04/2013 | --    |
| 0004   | TBFX00358 |                  | TUBE PU CT40/70/90              | 1,00 | 04/2013   |         | --    |
| 0005   | LAFN05865 |                  | PLATE COPRILEVA CONSENSO        | 1,00 |           |         | --    |
| 0007   | MPVR46988 |                  | CLIP LAV. SHK                   | 1,00 |           |         | --    |
| 0008   | VTVT00651 |                  | SCREW TBEI M. 5x16 INOX         | 4,00 |           |         | --    |
| 0009   | VTVT15906 |                  | SCREW TE 6X 12 A2 UNI 5739      | 2,00 |           |         | --    |
| 0010   | VTVT15143 |                  | SCREW TE 6X16 UNI5739           | 3,00 |           |         | --    |
| 0012   | LAFN03626 |                  | SPACER                          | 2,00 |           |         | --    |
| 0013   | CMCV00361 |                  | CABLE -                         | 1,00 |           |         | --    |
| 0014   | LAFN06849 |                  | HANDLE CT 70                    | 1,00 |           |         | --    |
| 0015   | MLML00203 |                  | SPRING                          | 1,00 |           |         | --    |
| 0016   | VTRS00251 |                  | WASHER 4-16 INOX A2             | 1,00 |           |         | --    |
| 0017   | VTVT00800 |                  | SCREW TC 4X12 ZN                | 1,00 |           |         | --    |
| 0018   | VTVT21096 |                  | SCREW TE M 4X 10 INX            | 2,00 |           |         | --    |
| 0019   | LAFN05870 |                  | BRACKET LEVA SOLLEVAM. SQUEEGEE | 1,00 |           |         | --    |
| 0021   | VTRS13947 |                  | WASHER D. 8 INX UNI 6592        | 2,00 |           |         | --    |
| 0022   | LAFN05861 |                  | LEVER CONSENSO SPAZZOLE         | 1,00 |           |         | --    |
| 0025   | MPVR05215 |                  | KNOB -                          | 2,00 |           |         | --    |
| 0026   | GUGO00263 |                  | GASKET CIRCOLARE TAPPO          | 1,00 |           |         | --    |
| 0027   | FTDP00133 |                  | FILTER                          | 1,00 |           |         | --    |
| 0032   | VTVT01139 |                  | SCREW TE M.4-25                 | 2,00 |           |         | --    |
| 0033   | VTRS00515 |                  | WASHER D. 4 INX                 | 2,00 |           |         | --    |
| 0034   | VTRS00274 |                  | WASHER NYLON 66 D.8,4-17-2 UNI  | 4,00 |           |         | --    |
| 0035   | GUGO00417 |                  | GASKET SCATOLA ASPIRAZIONE      | 1,00 |           |         | --    |
| 0036   | MPVR05482 |                  | BOX -                           | 1,00 |           |         | --    |
| 0037   | VTDD15925 |                  | NUT M 4 INX                     | 2,00 |           |         | --    |
| 0038   | GUGO00418 |                  | GASKET CONDOTTO ASPIRAZIONE     | 1,00 |           |         | --    |
| 0040   | GUGO00245 |                  | GASKET                          | 1,00 |           |         | --    |
| 0042   | FSVR43136 |                  | CLAMP D. 35-40 DF.              | 1,00 |           |         | --    |
| 0046   | TBFX00353 |                  | TUBE PU CT70-CT90               | 1,00 |           |         | --    |
| 0047   | VTDD01693 |                  | NUT M 5 INX                     | 2,00 |           |         | --    |
| 0048   | VTRS00516 |                  | WASHER D. 5 INX                 | 2,00 |           |         | --    |
| 0049   | VTVR01038 |                  | WASHER -                        | 1,00 |           |         | --    |
| 0050   | MPVR05596 |                  | PROTECTION -                    | 1,00 |           |         | --    |
| 0051   | VTVT01150 |                  | SCREW 4x10                      | 1,00 |           |         | --    |
| 0052   | VTVT07725 |                  | SCREW TE 5X16 UNI5739 INX       | 2,00 |           |         | --    |



| Ref. | K | Part N.   | Customer Part N. | Description | Qty  | Validity: |    | Price |
|------|---|-----------|------------------|-------------|------|-----------|----|-------|
|      |   |           |                  |             |      | From      | To |       |
| 0053 |   | LAFN07631 |                  | BRACKET -   | 1,00 |           |    | --    |
| 0056 |   | FSVR00248 |                  | CLAMP -     | 1,00 |           |    | --    |



| Ref. | K | Part N.   | Customer Part N. | Description                  | Qty  | Validity: |         | Price |
|------|---|-----------|------------------|------------------------------|------|-----------|---------|-------|
|      |   |           |                  |                              |      | From      | To      |       |
| 0001 |   | LAFN09302 |                  | CLOSURE -                    | 2,00 | 09/2013   |         | --    |
| 0002 |   | MPVR49229 |                  | BUSHING SHK                  | 2,00 |           |         | --    |
| 0003 |   | MPVR05290 |                  | ROLLER PARACOLPI             | 2,00 |           |         | --    |
| 0004 |   | GUGO00164 |                  | GASKET                       | 2,00 |           |         | --    |
| 0005 |   | LAFN04100 |                  | SPACER PER RUOTINO PARACOLPI | 2,00 |           |         | --    |
| 0006 |   | MPVR06003 |                  | KNOB AISI 304                | 2,00 |           | 03/2013 | --    |
| 0006 |   | MPVR06004 |                  | KNOB AISI 304                | 2,00 | 03/2013   |         | --    |
| 0008 |   | VTRS00245 |                  | WASHER D.6 UNI 6592 INOX     | 2,00 |           |         | --    |
| 0009 |   | LAFN09012 |                  | PLATE -                      | 1,00 |           |         | --    |
| 0010 |   | GUVR00301 |                  | GASKET -                     | 1,00 |           |         | --    |
| 0011 |   | GUVR00300 |                  | GASKET -                     | 1,00 |           |         | --    |
| 0012 |   | LAFN09301 |                  | SOCKET -                     | 2,00 | 09/2013   |         | --    |
| 0014 |   | LAFN08948 |                  | BRACKET -                    | 1,00 |           | 09/2013 | --    |
| 0014 |   | LAFN09279 |                  | SHEET METAL PA.-             | 1,00 | 09/2013   |         | --    |
| 0015 |   | LAFN08949 |                  | BRACKET -                    | 1,00 |           | 09/2013 | --    |
| 0015 |   | LAFN09280 |                  | SHEET METAL PA.-             | 1,00 | 09/2013   |         | --    |
| 0016 |   | MPVR08039 |                  | BLADE S LATEX                | 1,00 |           |         | --    |
| 0017 |   | VTRS13945 |                  | WASHER D. 6X18 INX UNI 6593  | 4,00 |           |         | --    |
| 0018 |   | KTRI02048 |                  | BODY SQUEEGEE PRESSOFUSO "S" | 1,00 |           |         | --    |
| 0019 |   | VTVT00841 |                  | SCREW TE M 6X65 UNI 5739 INX | 2,00 |           |         | --    |
| 0020 |   | VTVT15515 |                  | SCREW TE M 6X 50 INOX A2     | 2,00 |           |         | --    |
| 0021 |   | MPVR05897 |                  | CLOSURE S                    | 2,00 |           |         | --    |
| 0022 |   | MPVR08035 |                  | BLADE S LATEX                | 1,00 |           |         | --    |
| 0023 |   | LAFN08950 |                  | BRACKET -                    | 1,00 |           | 09/2013 | --    |
| 0023 |   | LAFN09281 |                  | SHEET METAL PA.-             | 1,00 | 09/2013   |         | --    |
| 0024 |   | LAFN08951 |                  | BRACKET -                    | 1,00 |           | 09/2013 | --    |
| 0024 |   | LAFN09283 |                  | SHEET METAL PA.-             | 1,00 | 09/2013   |         | --    |
| 0025 |   | LAFN09013 |                  | PLATE -                      | 1,00 |           |         | --    |
| 0026 |   | VTVR00565 |                  | INSERT                       | 2,00 |           |         | --    |
| 0027 |   | VTDD00210 |                  | NUT M 3 INOX                 | 8,00 | 09/2013   |         | --    |
| 0028 |   | VTVT01070 |                  | SCREW TSTC M3X8              | 8,00 | 09/2013   |         | --    |