



IPC Integrated Professional Cleaning

IPC Gansow

Spare Parts List

TAVERNARO AG

Ref: LPTB01408

Model: CT40 BT50 GR/VE 2012



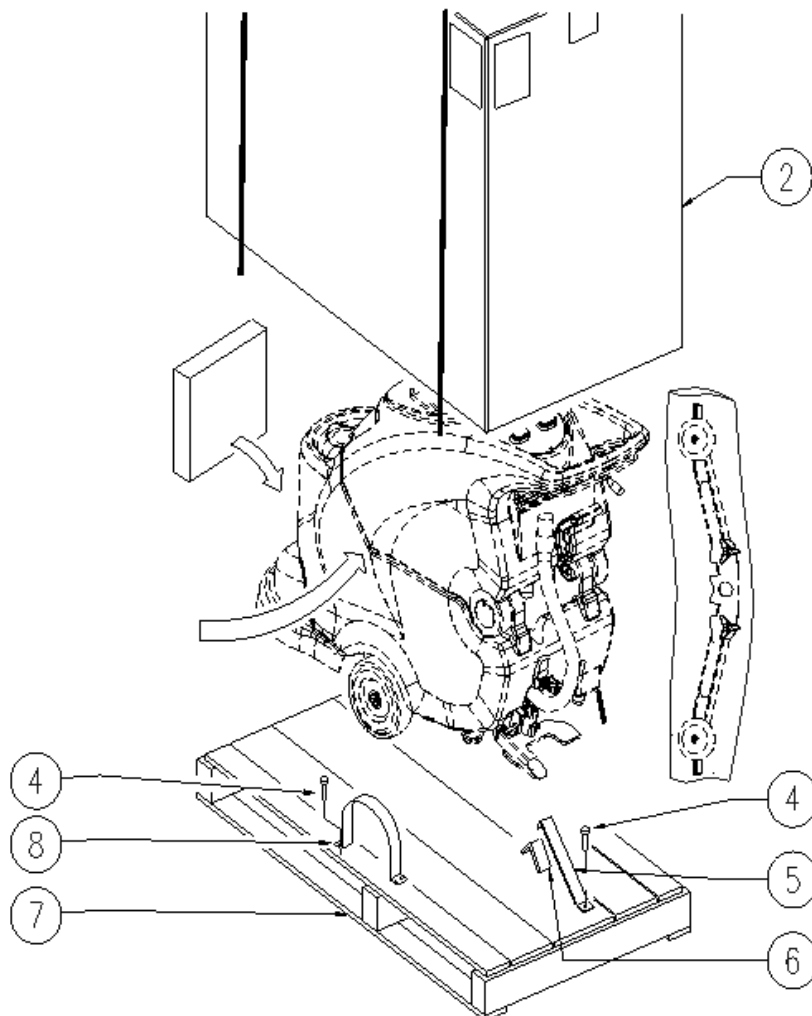
IMPORT: TAVERNARO AG

Seuzachstrasse 28

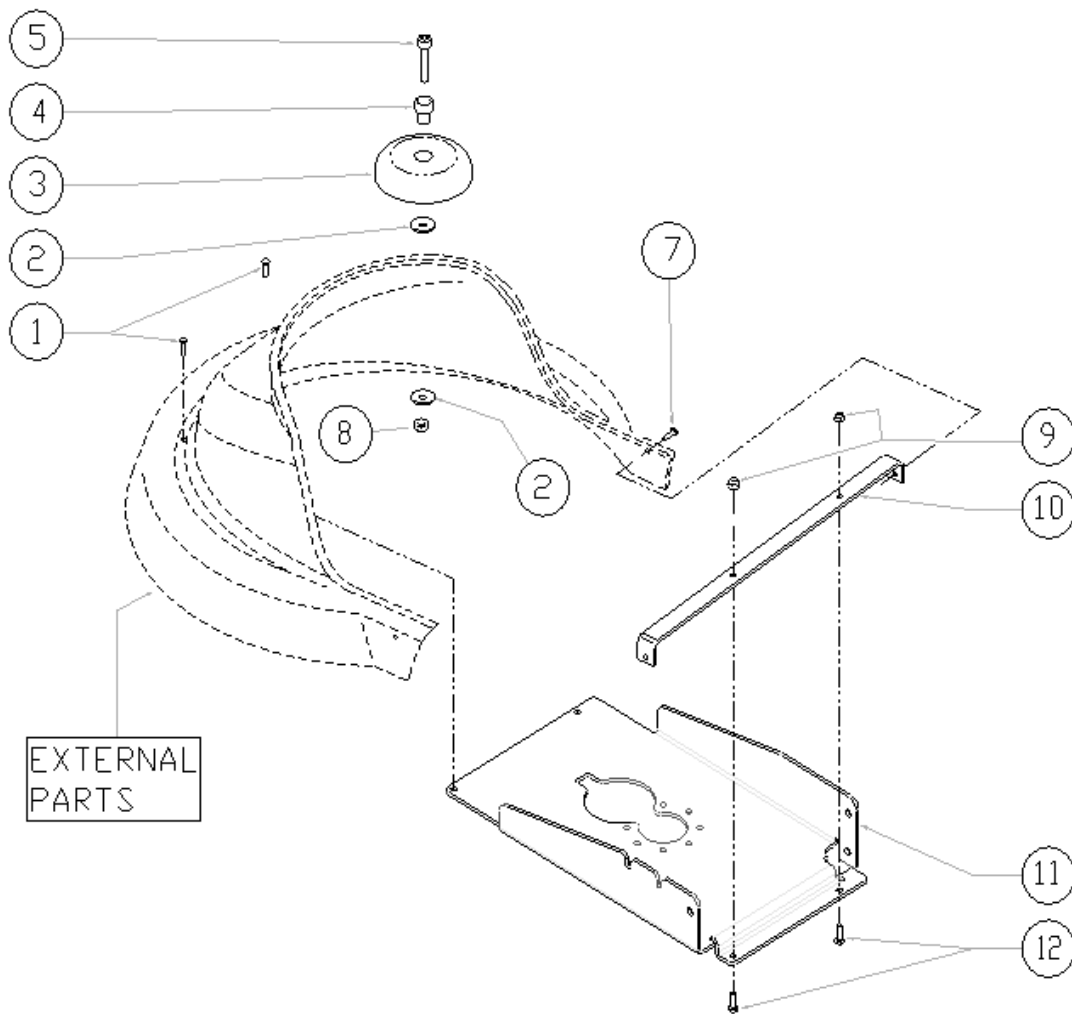
CH-8413 Neftenbach-Winterthur

Telefon: 052 315 19 78, Fax: 052 315 30 70

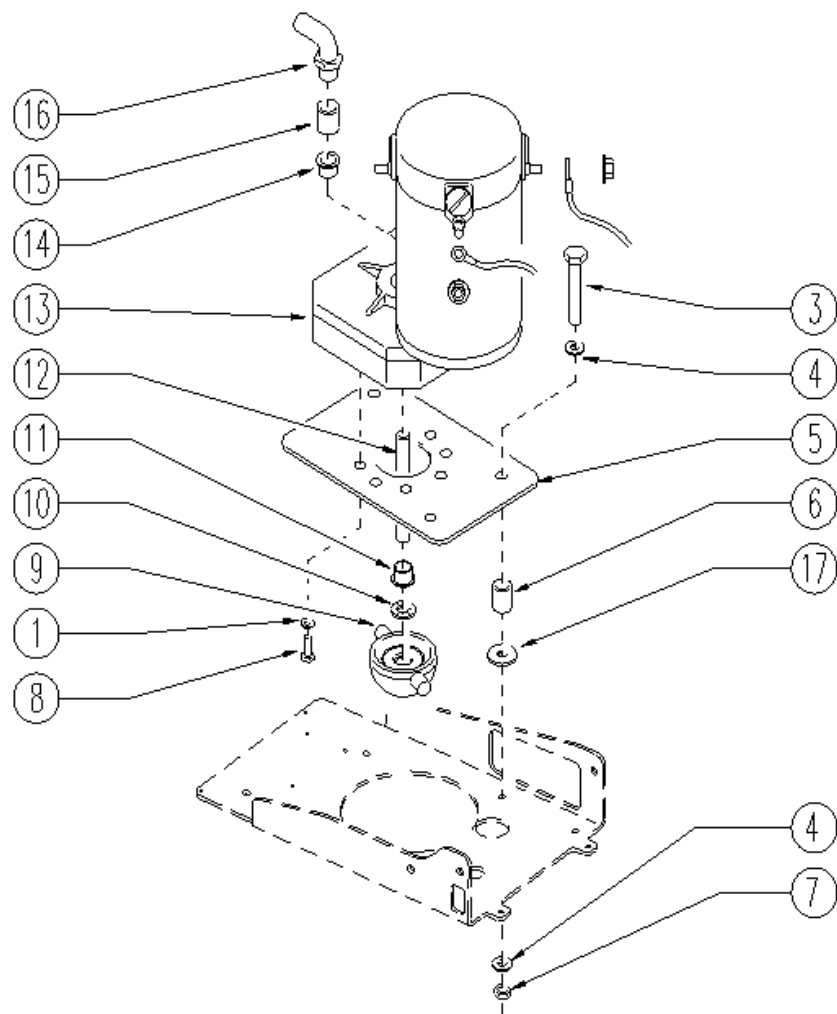
info@taverno.com, www.cleanshop.ch



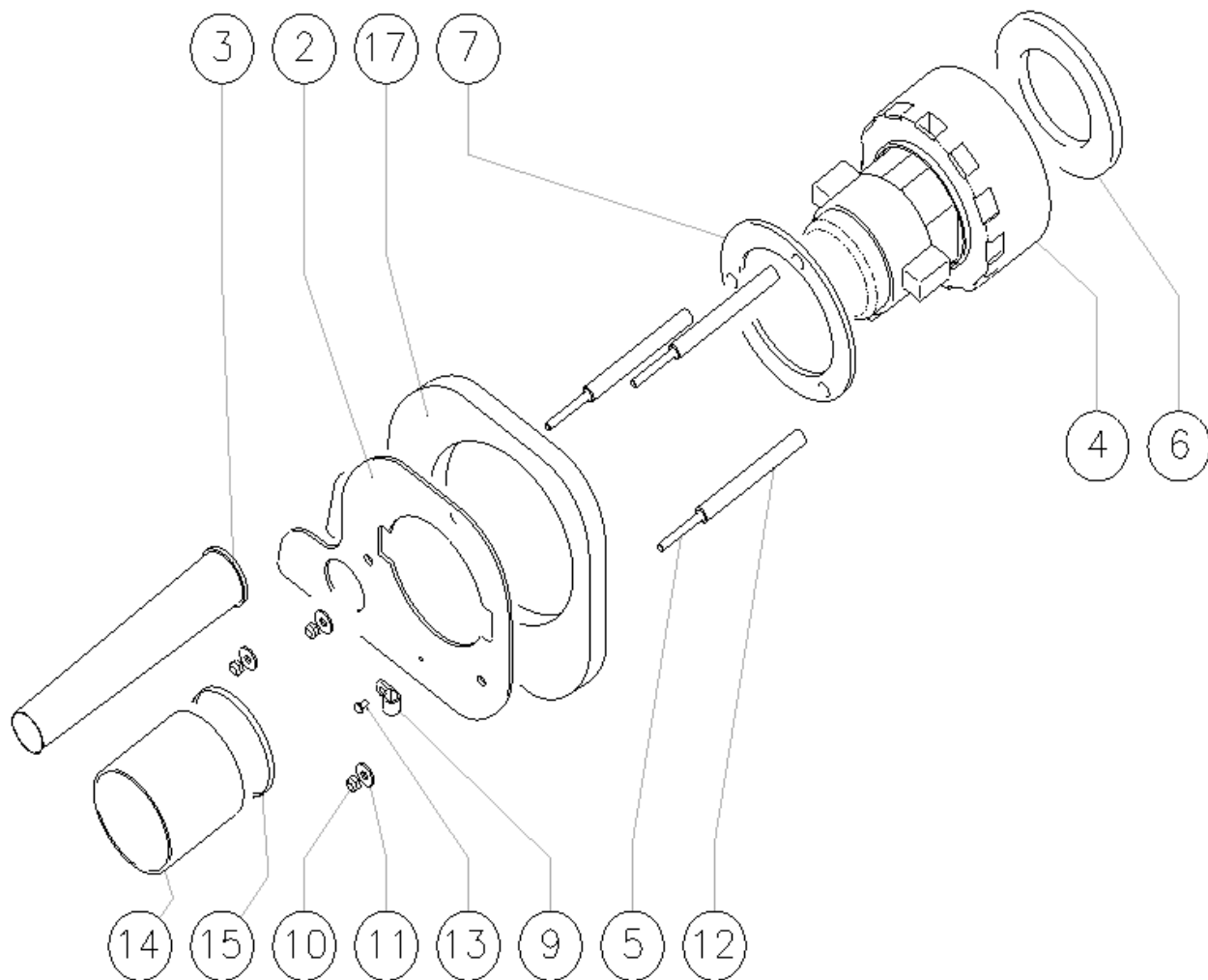
Ref.	K	Part N.	Customer Part N.	Description	Qty	Validity:		Price
						From	To	
0002		MICT00147		CARTON IMBALLO RULLI	1,00			--
0004		VTVT00043		SCREW AUTOF.LEGNO 4,5X25 TS BR	9,00			--
0005		MIVR00137		CLAMP RUOTA POSTERIORE X IMBAL.	1,00			--
0006		GUGO00009		MOUSSE	0,05			--
0007		MIBA00077		PALLET RULLI	1,00			--
0008		MIVR00135		CLAMP RUOTA POSTERIORE X IMBAL.	2,00			--



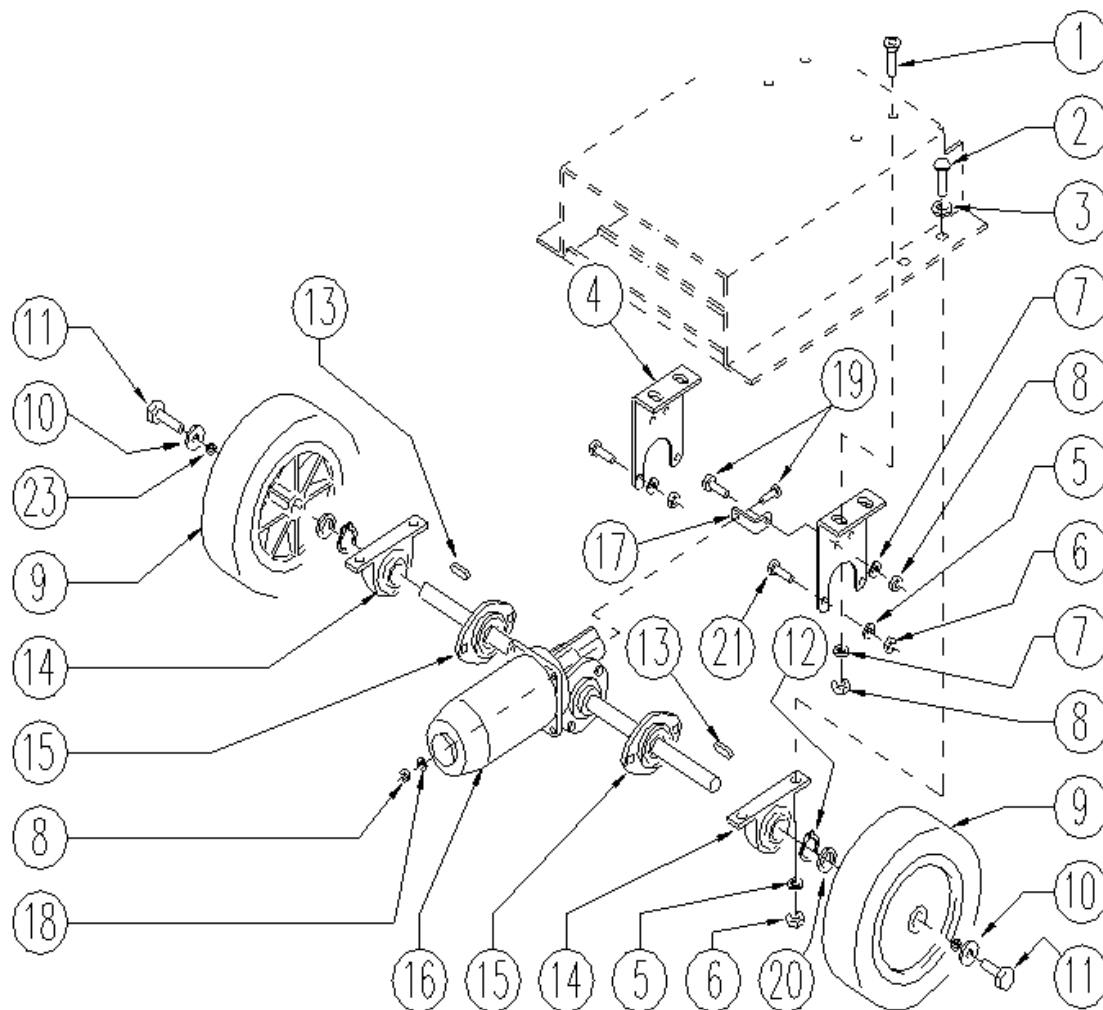
Ref.	K	Part N.	Customer Part N.	Description	Qty	Validity:		Price
						From	To	
0001		VTVT00659		SCREW TC+ M. 4-15	2,00		02/2010	--
0001		VTVT01366		SCREW M4X16	2,00	02/2010		--
0002		VTRS13946		WASHER D. 8 X24 INX UNI 6593	2,00			--
0003		MPVR05290		ROLLER PARACOLPI	1,00			--
0004		LAFN03915		BUSHING NUOVO RUOTINO STRONG	1,00			--
0005		VTVT00822		SCREW TCEI M 8-30	1,00	06/2009		--
0005		VTVT17349		SCREW TCEI M 8X30	1,00		06/2009	--
0007		VTVT01366		SCREW M4X16	2,00			--
0008		VTDD01695		NUT M 8 INX	1,00			--
0009		VTDD15518		NUT M 6 INX	2,00			--
0010		LAFN05899		SUPPORT BRACKET CARTER 1 EXTREME	1,00			--
0011		LAFN07373		PLATE RIDUTTORE	1,00			--
0012		VTVT15143		SCREW TE 6X16 UNI5739	2,00			--



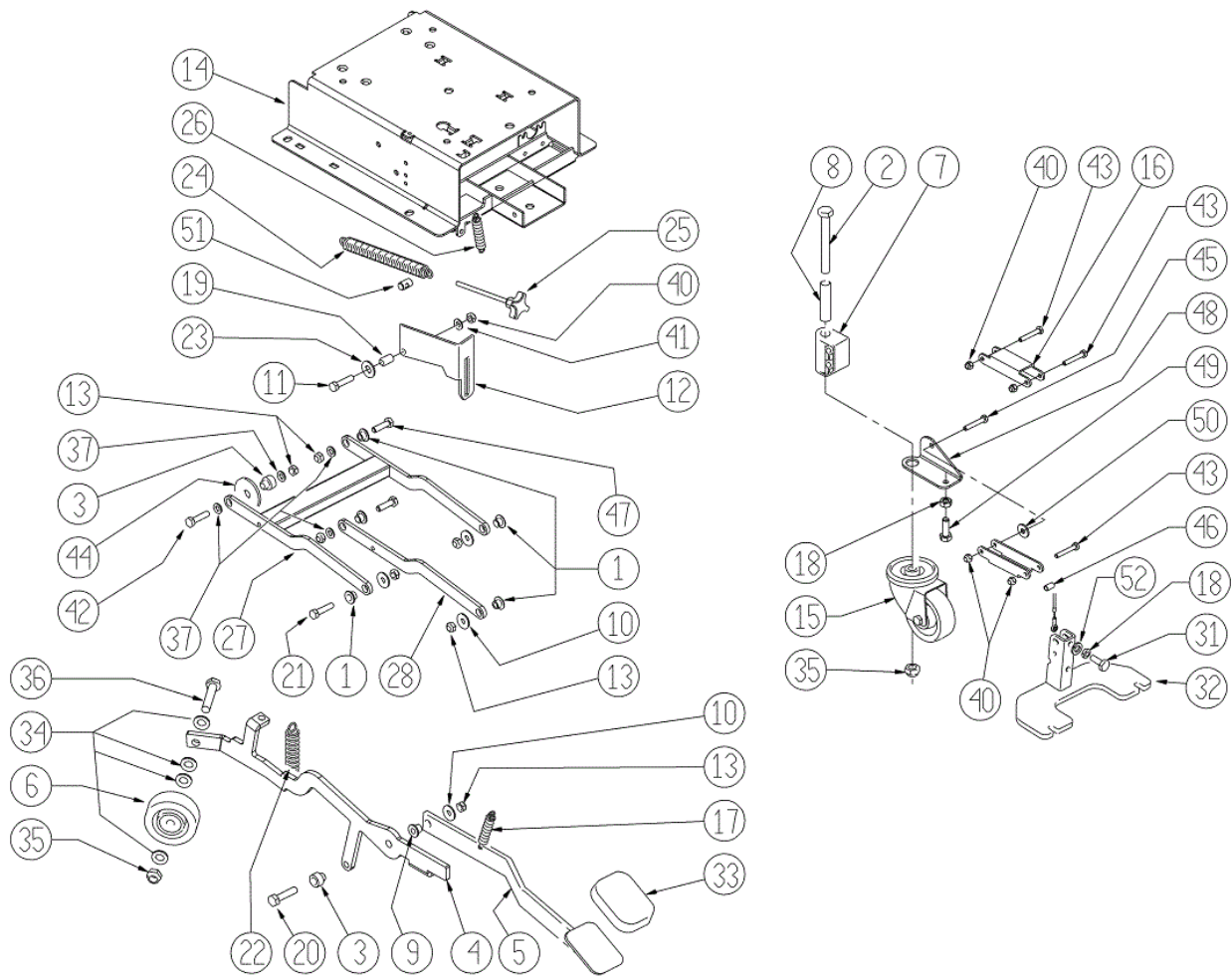
Ref.	K	Part N.	Customer Part N.	Description	Qty	Validity:		Price
						From	To	
0001		VTRS15144		WASHER D. 6 INX GRW UNI 1751	8,00			--
0003		VTVT13937		SCREW TE M 8X 30 INX UNI 5739	4,00		03/2008	--
0004		VTRS13947		WASHER D. 8 INX UNI 6592	4,00		03/2008	--
0005		LAFN05920		FLANGE RIDUTTORE	1,00		03/2008	--
0006		RCDS34717		BUSHING D. 9X12X 8.3	4,00		03/2008	--
0007		VTDD01695		NUT M 8 INX	4,00		03/2008	--
0008		VTVT15906		SCREW TE 6X 12 A2 UNI 5739	8,00			--
0009		MFVR00134		DRIVE DISK SPAZZOLE	1,00			--
0010		MPVR02997		CLIP ANELLO X PERNO D10	1,00		05/2009	--
0010		VTVR00416		HANDWHEEL M 6MAX110 D.35	1,00	05/2009		--
0011		CUVR43254		BUSHING CB 85 1010 18T	1,00			--
0012		LAFN04202		TUBE SOLUZIONE INOX D10	1,00			--
0013		MOCC00298		MOTOR.GEARBOX MRP6	1,00		02/2008	--
0013		MOCC00327		MOTOR GEARBOX 24V 550W	1,00	02/2008		--
0013		MOCC00344		BRUSH -	4,00			--
0014		CUVR43254		BUSHING CB 85 1010 18T	1,00			--
0015		LAFN51028		BUSHING	1,00			--
0016		RCVR45752		HOSE FITTING "L" 3/8M - D.10 PLS.	1,00			--
0017		VTRS00241		WASHER D. 8-24	4,00		03/2008	--



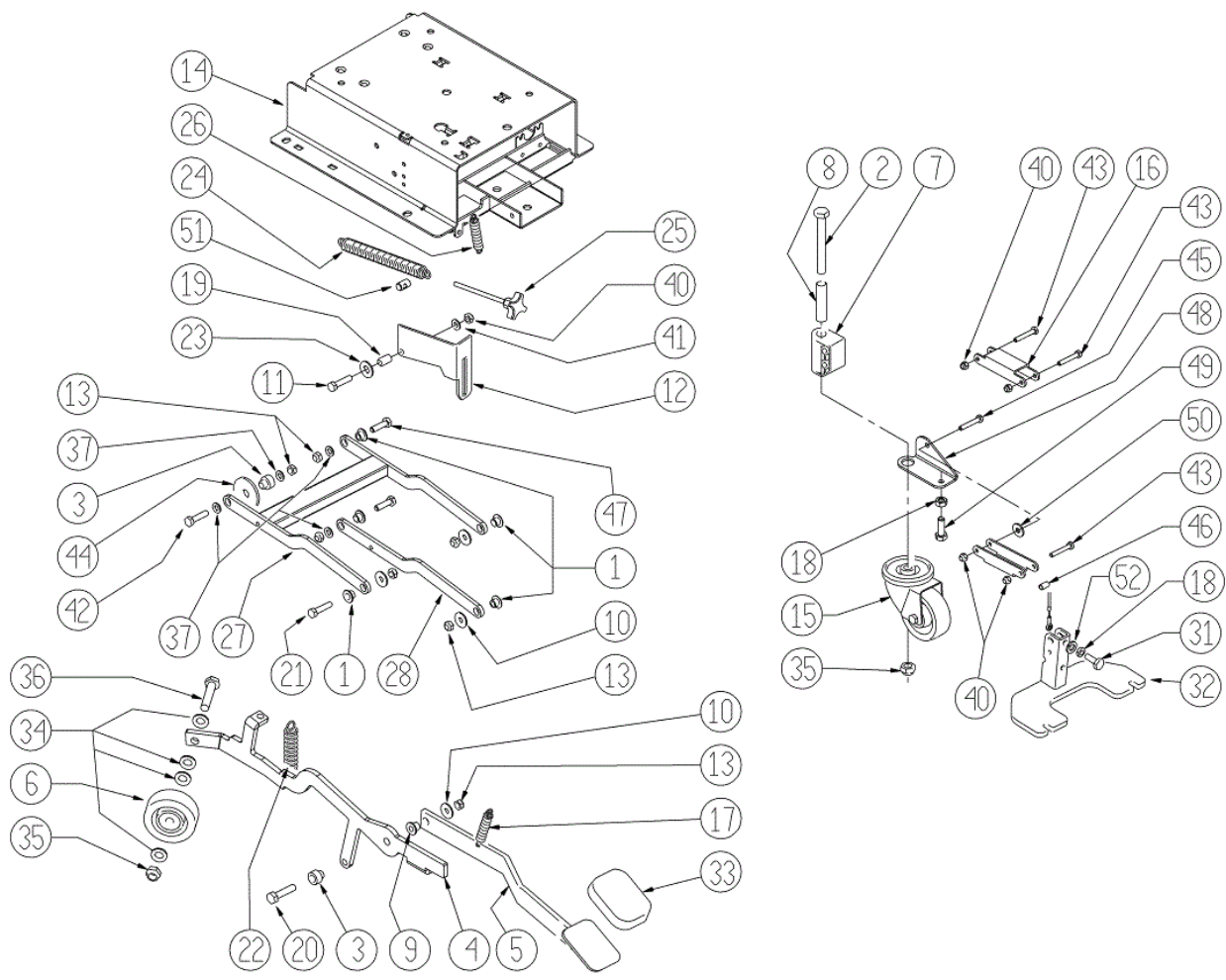
Ref. K	Part N.	Customer Part N.	Description	Qty	Validity:		Price
					From	To	
0002	LAFN06363		FLANGE ASPIRATORE	1,00			--
0003	MPVR05259		TUBE SCARICO	1,00	06/2007		--
0003	TBFX00244		TUBE D 34 L200MM	1,00		06/2007	--
0004	MEVR05200		CARBON MOTORE ASP.AMET.116599-13	2,00			--
0004	MOCC00253		MOTOR ASPIR.BIST.24V	1,00		11/2008	--
0004	MOCC00349		MOTOR VACUUM 2 STAGES 24V	1,00	11/2008		--
0005	VTVR00198		ROD	3,00			--
0006	GUGO00272		GASKET VACUUM MOTOR CT	1,00			--
0007	MPVR04724		FLANGE IN NYLON	1,00			--
0009	FSVR00099		CLAMP FERMATUBO	1,00			--
0010	VTDD01694		NUT M6 INOX	3,00			--
0011	VTRS13945		WASHER D. 6X18 INX UNI 6593	3,00			--
0012	LAFN51078		SPACER SH	3,00			--
0013	VTVT00813		SCREW M 4X 8 TCB-TC UNI 8112	1,00			--
0014	TBFX00268		SUCTION HOSE D80 L=80MM	1,00		04/2007	--
0014	TBFX00312		TUBE ASPIRAZIONE	1,00	05/2007		--
0015	FSVR00118		CLAMP D.94	1,00	05/2007		--
0015	FSVR00500		CLAMP 80-100 INOX	1,00		04/2007	--
0017	MPVR05103		SOUND-PROOFING ASPIRATORE	1,00			--



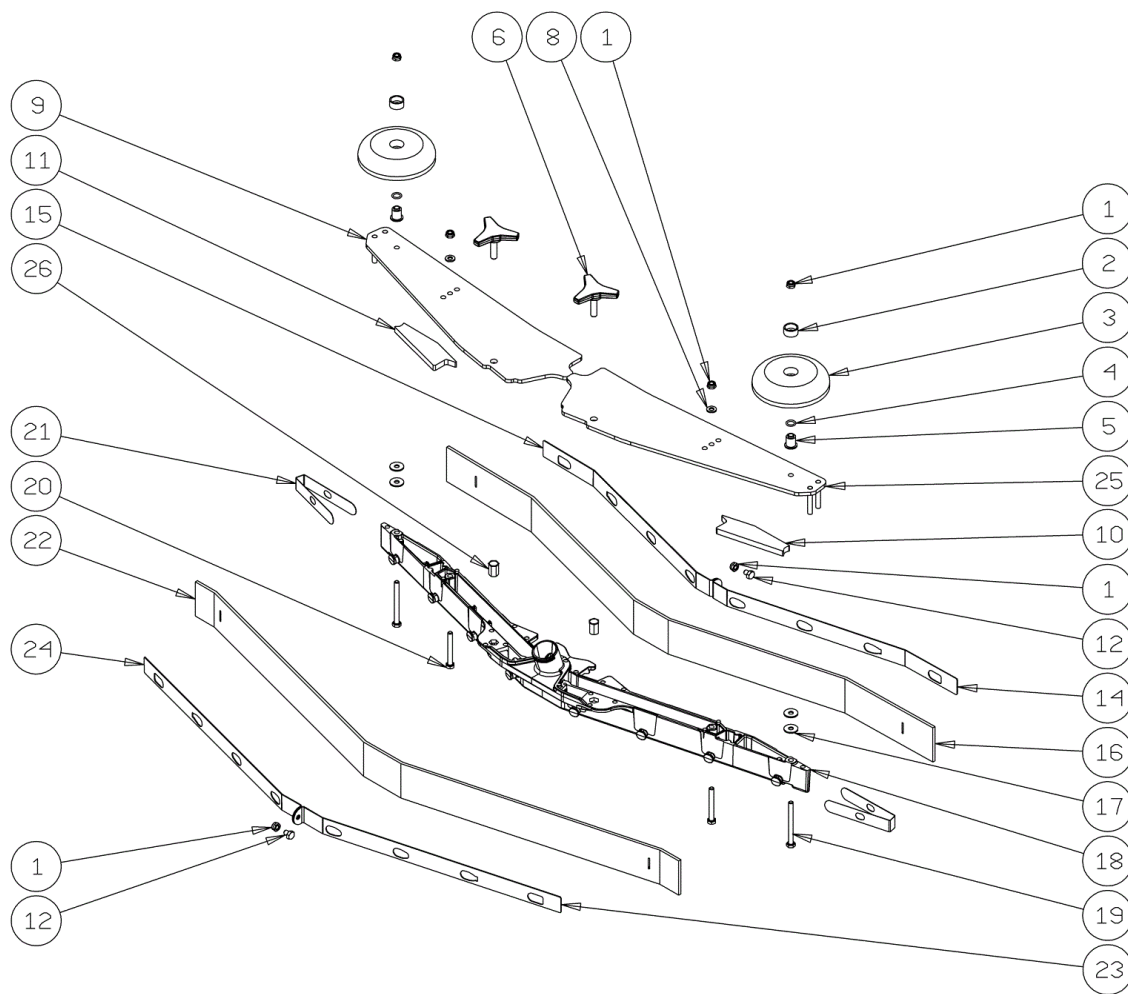
Ref.	K	Part N.	Customer Part N.	Description	Qty	Validity:		Price
						From	To	
0001		VTVT13940		SCREW M 6X 20 TSPEI UNI 5933	4,00			--
0002		VTVT00842		SCREW	4,00			--
0003		VTRS15978		WASHER D.12X24 UNI 6592 INX	4,00			--
0004		LAFN09092		BRACKET MOTORE	2,00			--
0005		VTRS13947		WASHER D. 8 INX UNI 6592	8,00			--
0006		VTDD01695		NUT M 8 INX	8,00			--
0007		VTRS13945		WASHER D. 6X18 INX UNI 6593	5,00			--
0008		VTDD01694		NUT M6 INOX	6,00			--
0009		RTRT00503		WHEEL CT40	2,00		05/2010	--
0009		RTRT00529		WHEEL D200	2,00	05/2010		--
0010		VTRS13946		WASHER D. 8 X24 INX UNI 6593	2,00			--
0011		VTVT15916		SCREW TE M 8X 16 UNI 5739 A2	2,00			--
0012		VTAE06193		CIRCLIP D. 20 UNI 7435	2,00			--
0013		VTVR33668		KEY 6x 6x40 UNI 6604A	2,00			--
0014		CUVR00169		BEARING FLANGIA P47	2,00			--
0015		CUVR00105		SUPPORT	2,00			--
0016		MEVR01070		CARBON	2,00			--
0016		MOCC00348		MOTOR AOMPDI 24V 145W	1,00			--
0017		LAFN09093		SMALL SQUARE -	1,00			--
0018		VTRS00245		WASHER D.6 UNI 6592 INOX	1,00			--
0019		VTVT13939		SCREW TE 6X20 UNI5739 INX	2,00			--
0020		VTRS00019		WASHER UNI 6592 FORO 20 INOX	2,00			--
0021		VTVT15907		SCREW TE 8X25 UNI5739 INX	4,00			--
0023		VTRS15146		WASHER D. 8 INX GRW UNI 1751	2,00			--



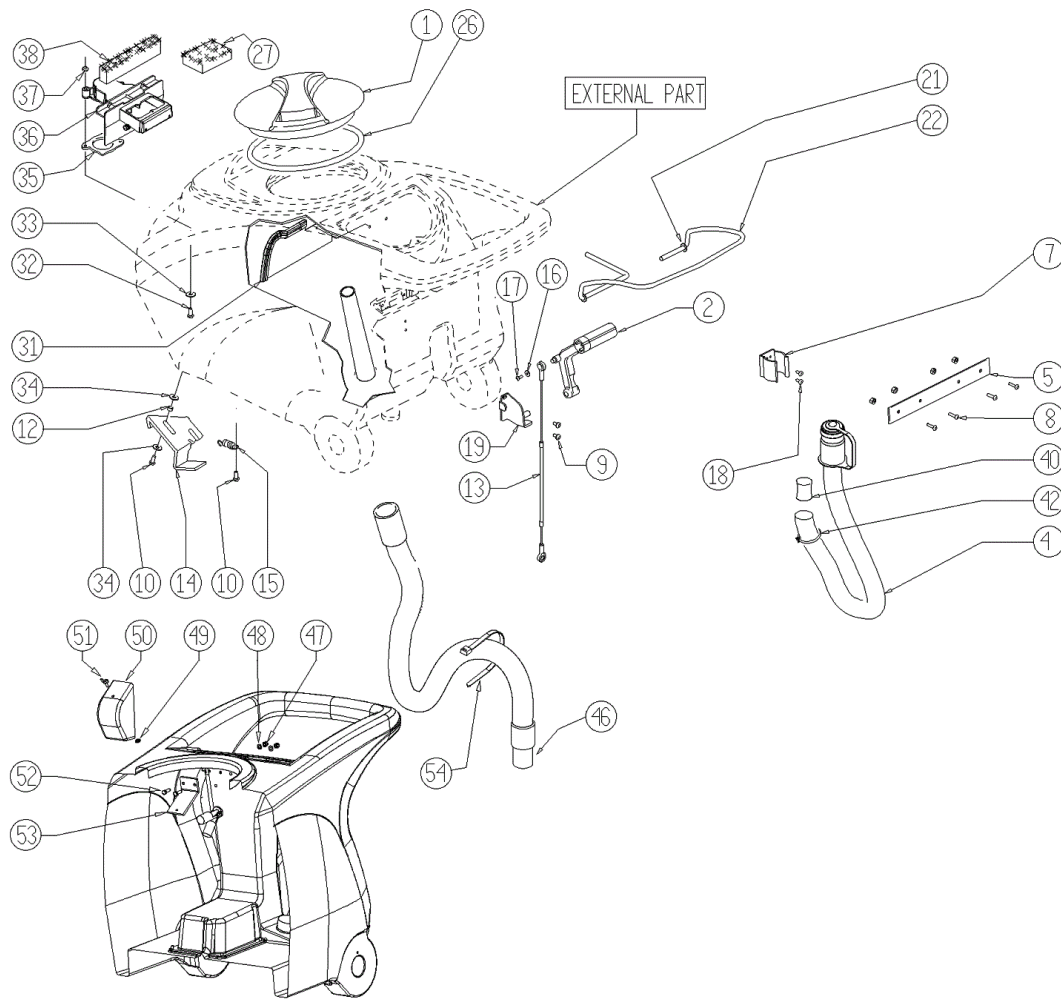
Ref.	K	Part N.	Customer Part N.	Description	Qty	Validity:		Price
						From	To	
0001		LAFN06391		BUSHING PARALLELOGRAMMA	5,00			--
0002		VTVT24212		SCREW TE M 12X100 UNI 5737 INOX	1,00			--
0003		LAFN04190		BUSHING PARALLELOGR.TEST.GR.	2,00			--
0004		LAFN07872		LEVER -	1,00			--
0005		LAFN07602		LEVER -	1,00		06/2013	--
0005		LAFN09270		PEDALE -	1,00	07/2013		--
0006		RTRT49171		CASTER D. 80-12	1,00			--
0007		MPVR04734		BLOCK TERGI	1,00			--
0008		LAFN09006		PIN -	1,00			--
0009		LAFN51068		BUSHING LEVA POSTER.	1,00			--
0010		VTRS13946		WASHER D. 8 X24 INX UNI 6593	4,00			--
0011		VTVT00161		SCREW TE M6X20	1,00			--
0012		LAFN10124		PLATE -	1,00			--
0013		VTDD01695		NUT M 8 INX	7,00			--
0014		LAFN07293		BASE SERBATOIO	1,00			--
0015		RTRT00276		SMALL WHEEL GIREVOLE PER SPAZZANTE	1,00			--
0016		LAFN05853		LEVER ARM SOLLEVAMENTO TERGI	2,00			--
0017		MLML34726		SPRING TR E350 N	1,00			--
0018		VTDD15521		NUT M 8 INX A2 UNI 5588	1,00			--
0019		LAFN03840		BUSHING -	1,00			--
0020		VTVT15917		SCREW TE M 8X50 INOX A2 UNI	1,00			--
0021		VTVT15907		SCREW TE 8X25 UNI5739 INX	3,00			--
0022		MLML00313		SPRING -	1,00			--
0023		VTRS00274		WASHER NYLON 66 D.8,4-17-2 UNI	1,00			--
0024		MLML31130		SPRING D. 17.5 X110 N38	1,00			--
0025		VTVR35749		HANDWHEEL M 6MAX110 D.35	1,00			--
0026		MLML00303		SPRING REGISTRAZIONE FLAP	1,00			--
0027		LAFN06388		ARM TESTATA SUPERIORE	1,00			--
0028		LAFN06389		ARM PARALLELOGRAMMA	1,00			--
0031		VTVT00410		SCREW TE M8x35 UNI5739 INOX	1,00			--
0032		LAFN07560		PLATE -	1,00			--
0033		MPVR05186		COVER -	1,00			--
0034		VTRS15978		WASHER D.12X24 UNI 6592 INX	4,00			--
0035		VTDD00176		NUT M.12 INOX A2 BASSO AUTOB.	2,00			--
0036		VTVT00836		SCREW TE M12-60 INOX	1,00			--
0037		VTRS13947		WASHER D. 8 INX UNI 6592	4,00			--
0040		VTDD01694		NUT M6 INOX	5,00			--
0041		VTRS00245		WASHER D.6 UNI 6592 INOX	1,00			--
0042		VTVT00410		SCREW TE M8x35 UNI5739 INOX	1,00			--



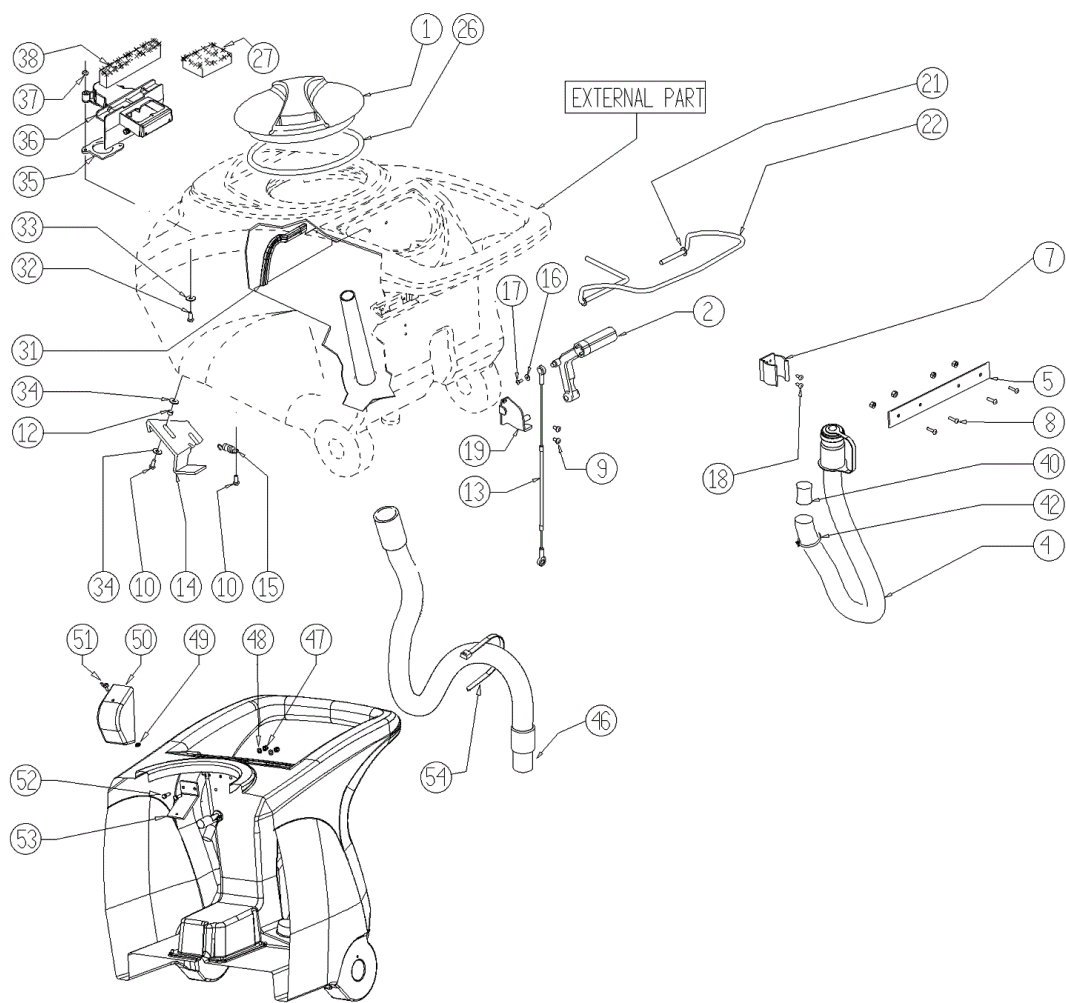
Ref.	K	Part N.	Customer Part N.	Description	Qty	Validity:		Price
						From	To	
0043		VTVT01683		SCREW TE 6X40	3,00			--
0044		MPVR05134		GASKET D.60 FORO D.12 SP.2	1,00			--
0045		VTVT01684		SCREW TE 6X45	1,00			--
0046		LAFN06898		SPACER 6-8 h15	1,00			--
0047		VTVT13937		SCREW TE M 8X 30 INX UNI 5739	2,00			--
0048		LAFN08999		BRACKET -	1,00			--
0049		VTVT13938		SCREW TE 8X20 UNI5739 INX	1,00			--
0050		VTRS13945		WASHER D. 6X18 INX UNI 6593	1,00			--
0051		LAFN35747		SPRING SUPPORT LAV. E/B 450	1,00			--
0052		VTRS15146		WASHER D. 8 INX GRW UNI 1751	1,00	03/2013		--



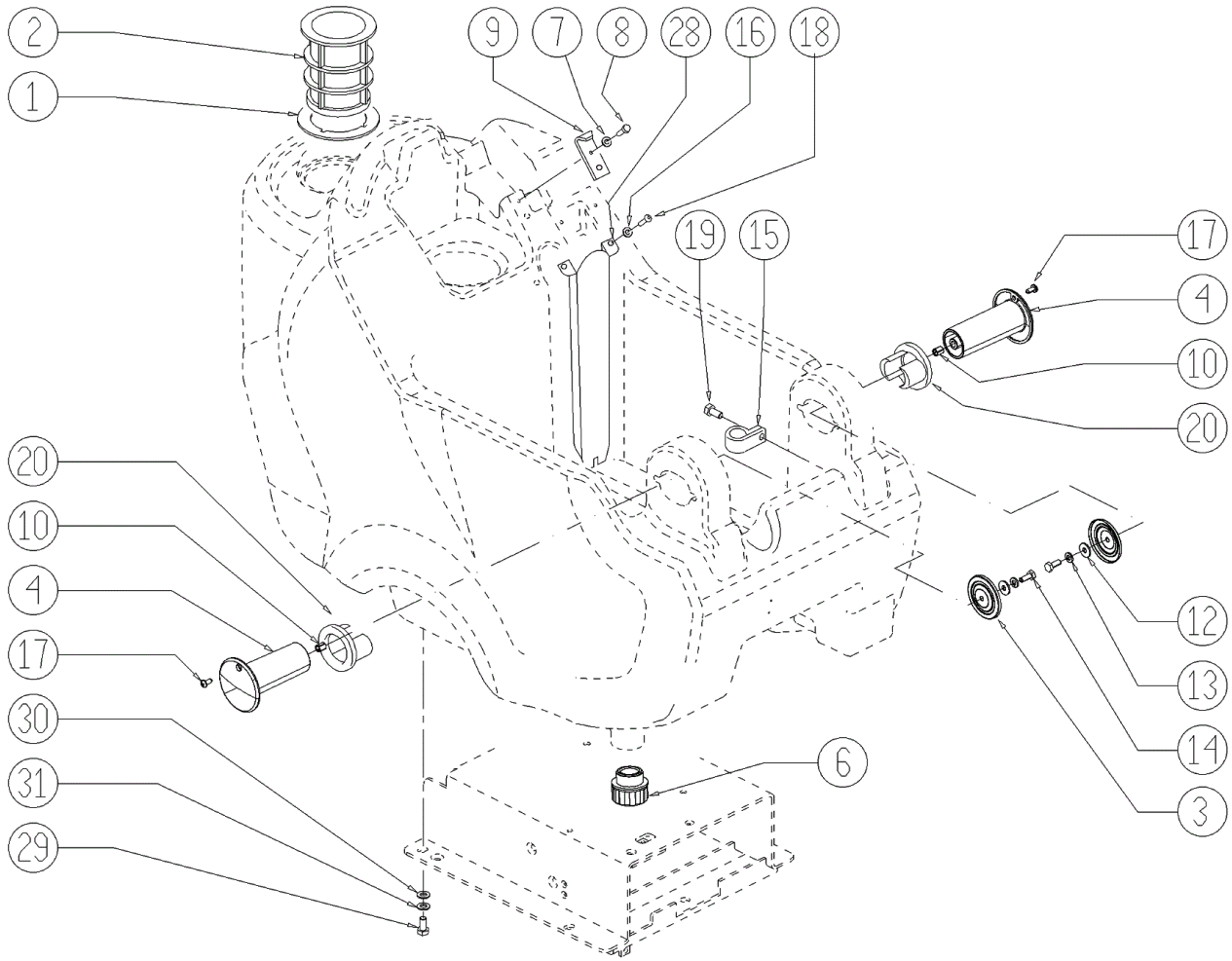
Ref.	K	Part N.	Customer Part N.	Description	Qty	Validity:		Price
						From	To	
0001		VTDD01694		NUT M6 INOX	6,00			--
0002		MPVR49229		BUSHING SHK	2,00			--
0003		MPVR05290		ROLLER PARACOLPI	2,00			--
0004		GUGO00164		GASKET	2,00			--
0005		LAFN04100		SPACER PER RUOTINO PARACOLPI	2,00			--
0006		MPVR06003		KNOB AISI 304	2,00		03/2013	--
0006		MPVR06004		KNOB AISI 304	2,00	03/2013		--
0008		VTRS00245		WASHER D.6 UNI 6592 INOX	2,00			--
0009		LAFN09012		PLATE -	1,00			--
0010		GUVR00301		GASKET -	1,00			--
0011		GUVR00300		GASKET -	1,00			--
0012		VTVT01161		SCREW M6x8	2,00			--
0014		LAFN08948		BRACKET -	1,00			--
0015		LAFN08949		BRACKET -	1,00			--
0016		MPVR05800		RUBBER BLADE FRONT SQUEEGEE S PU	1,00			--
0017		VTRS13945		WASHER D. 6X18 INX UNI 6593	4,00			--
0018		KTRI02048		BODY SQUEEGEE PRESSOFUSO "S"	1,00			--
0019		VTVT00841		SCREW TE M 6X65 UNI 5739 INX	2,00			--
0020		VTVT15515		SCREW TE M 6X 50 INOX A2	2,00			--
0021		MPVR05897		CLOSURE S	2,00			--
0022		MPVR05802		RUBBER REAR SQUEEGEE S PU	1,00			--
0023		LAFN08950		BRACKET -	1,00			--
0024		LAFN08951		BRACKET -	1,00			--
0025		LAFN09013		PLATE -	1,00			--
0026		VTVR00565		INSERT -	2,00			--



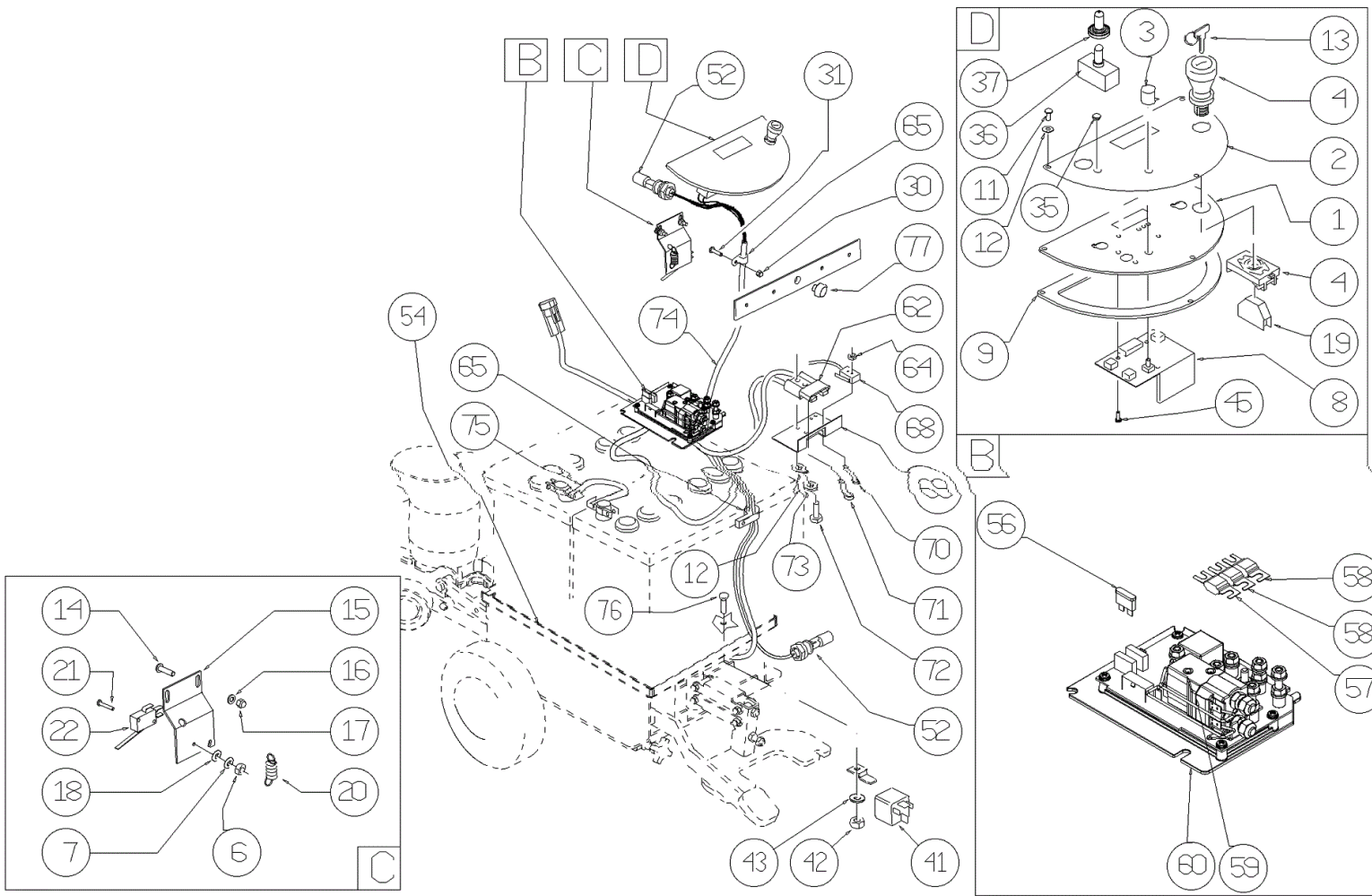
Ref.	K	Part N.	Customer Part N.	Description	Qty	Validity:		Price
						From	To	
0001		MPVR04051		TANK CAP	1,00			--
0002		MPVR49942		LEVER SHK PP	1,00			--
0003		VTDD01694		NUT M6 INOX	4,00			--
0004		TBFX00348		TUBE CT40-70-90 HOSE DRAIN	1,00		04/2013	--
0004		TBFX00358		TUBE PU CT40/70/90	1,00	04/2013		--
0005		LAFN05865		PLATE COPRILEVA CONSENSO	1,00			--
0007		MPVR46988		CLIP LAV. SHK	1,00			--
0008		VTVT07725		SCREW TE 5X16 UNI5739 INX	4,00			--
0009		VTVT15906		SCREW TE 6X 12 A2 UNI 5739	2,00			--
0010		VTVT15143		SCREW TE 6X16 UNI5739	3,00			--
0012		LAFN03626		SPACER	1,00			--
0013		CMCV00361		CABLE -	1,00			--
0014		LAFN06490		HANDLE	1,00			--
0015		MLML00203		SPRING	1,00			--
0016		VTRS00251		WASHER 4-16 INOX A2	1,00			--
0017		VTVT00800		SCREW TC 4X12 ZN	1,00			--
0018		VTVT21096		SCREW TE M 4X 10 INX	2,00			--
0019		LAFN05870		BRACKET LEVA SOLLEVAM. SQUEEGEE	1,00			--
0021		VTRS13947		WASHER D. 8 INX UNI 6592	2,00			--
0022		LAFN05861		LEVER CONSENSO SPAZZOLE	1,00			--
0026		GUGO00263		GASKET CIRCOLARE TAPPO	1,00			--
0027		FTDP00133		FILTER	1,00			--
0031		MPVR07074		PLATE -	1,00			--
0032		VTVT00814		SCREW TE M.4-25	2,00			--
0033		VTRS00515		WASHER D. 4 INX	2,00			--
0034		VTRS00274		WASHER NYLON 66 D.8,4-17-2 UNI	4,00			--
0035		GUGO00417		GASKET SCATOLA ASPIRAZIONE	1,00			--
0036		MPVR05482		BOX -	1,00			--
0037		VTDD15925		NUT M 4 INX	2,00			--
0038		GUGO00418		GASKET CONDOTTO ASPIRAZIONE	1,00			--
0040		GUGO00245		GASKET	2,00			--
0042		FSVR43136		CLAMP D. 35-40 DF.	1,00			--
0046		TBFX00353		TUBE PU CT70-CT90	1,00			--
0047		VTDD01693		NUT M 5 INX	2,00			--
0048		VTRS00516		WASHER D. 5 INX	4,00			--
0049		VTVR01038		WASHER -	1,00			--
0050		MPVR05596		PROTECTION -	1,00			--
0051		VTVT01150		SCREW 4x10	1,00			--
0052		VTVT07726		SCREW TE 5X20	2,00			--



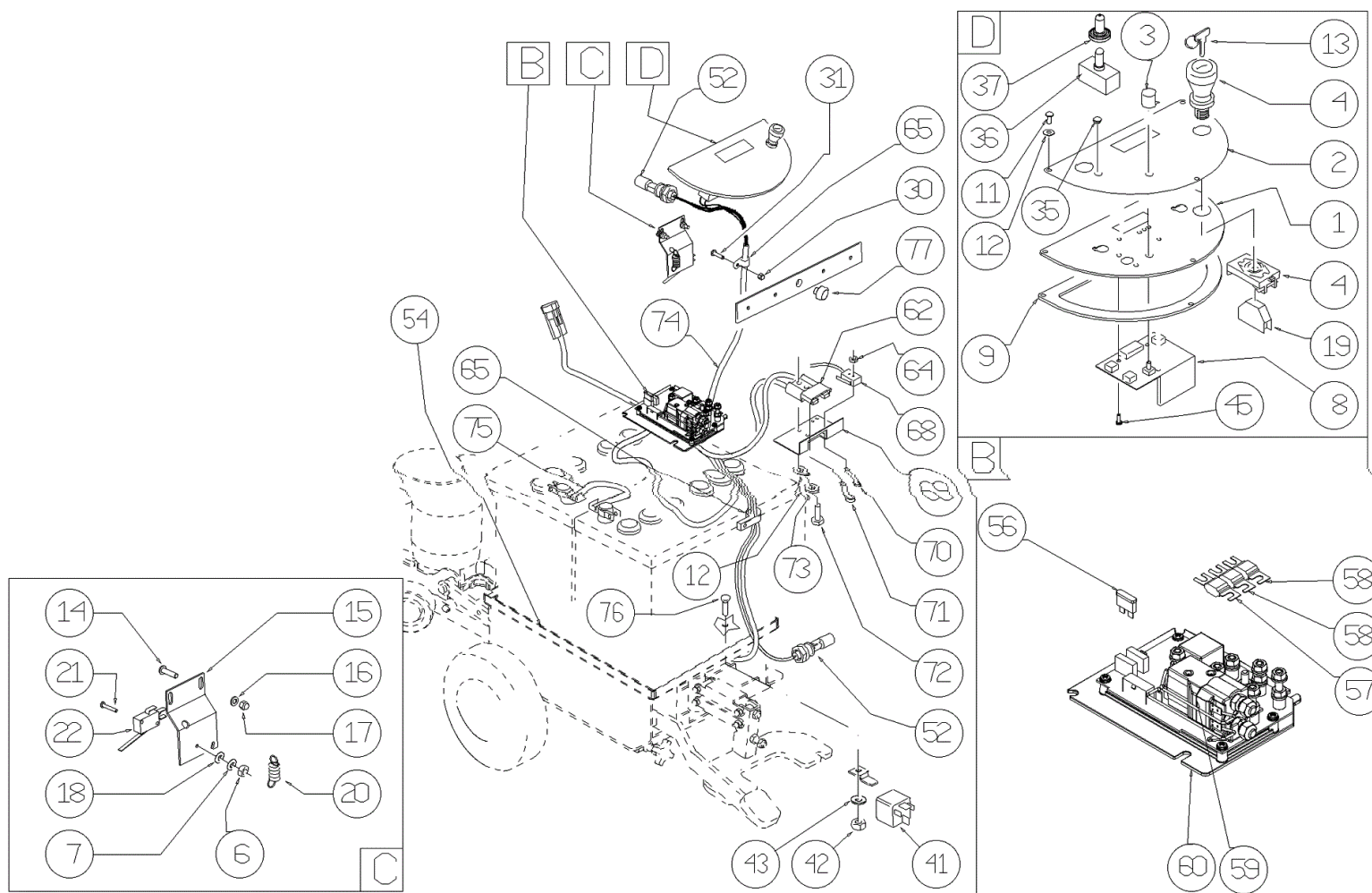
Ref. K	Part N.	Customer Part N.	Description	Qty	Validity:		Price
					From	To	
0053	LAFN07631		BRACKET -	1,00			--
0054	FSVR00248		CLAMP -	1,00			--



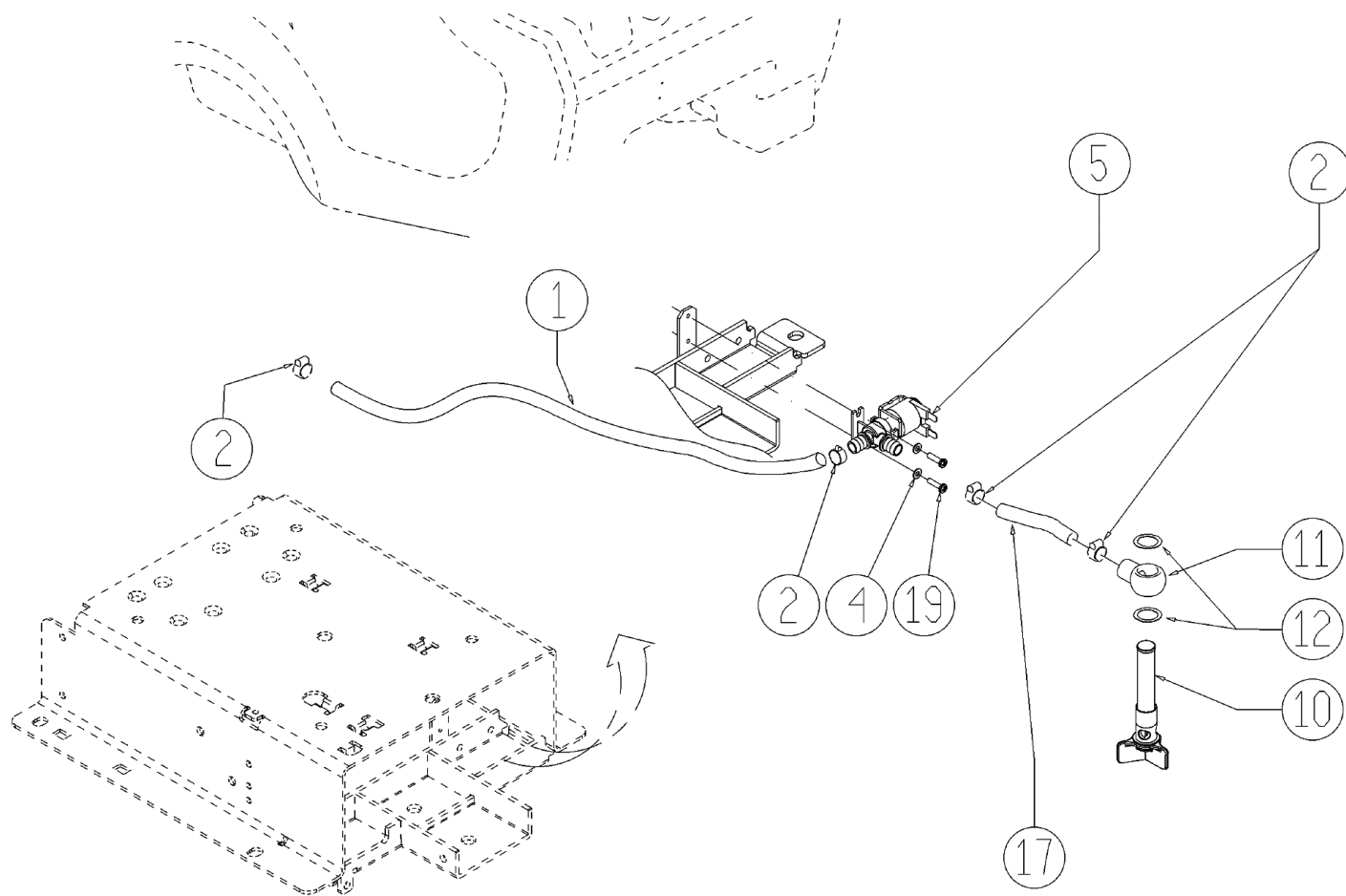
Ref.	K	Part N.	Customer Part N.	Description	Qty	Validity:		Price
						From	To	
0001		GUGO00267		GASKET FILTRO	1,00			--
0002		FTAC48857		FILTER ASP. ACQUA SERB. LAVAP.	1,00			--
0003		LAFN07800		SHEET METAL PA.-	2,00			--
0004		MPVR48695		PIN SHK.BK	2,00			--
0006		MPVR08003		CAP	1,00			--
0007		VTRS15144		WASHER D. 6 INX GRW UNI 1751	1,00			--
0008		VTVT01303		SCREW TE M6-10 INOX	1,00			--
0009		LAFN06489		PLATE	1,00			--
0010		VTVR48693		INSERT M6 D.9	1,00			--
0012		VTRS13945		WASHER D. 6X18 INX UNI 6593	2,00			--
0013		VTRS15144		WASHER D. 6 INX GRW UNI 1751	2,00			--
0014		VTVT15143		SCREW TE 6X16 UNI5739	2,00			--
0015		FSVR00099		CLAMP FERMATUBO	2,00			--
0016		VTRS00515		WASHER D. 4 INX	2,00			--
0017		VTVT48694		SCREW TCB TC 5 X12 UNI 9707 TZ	2,00			--
0018		VTVT37012		SCREW M 4X 10 TCB-TC INX	2,00			--
0019		VTVT15961		SCREW M 5X 16 TCB TC UNI 7687	1,00			--
0020		PMVR02028		RUBBER GRUPPO MONTAGGIO	2,00			--
0028		MPVR51085		FLAP POSTER.TERGI 950 MAGG.	1,00			--
0029		VTVT15916		SCREW TE M 8X 16 UNI 5739 A2	4,00			--
0030		VTRS13947		WASHER D. 8 INX UNI 6592	4,00			--
0031		VTRS00269		WASHER D. 8 DIN 6798-A INX A2	4,00			--



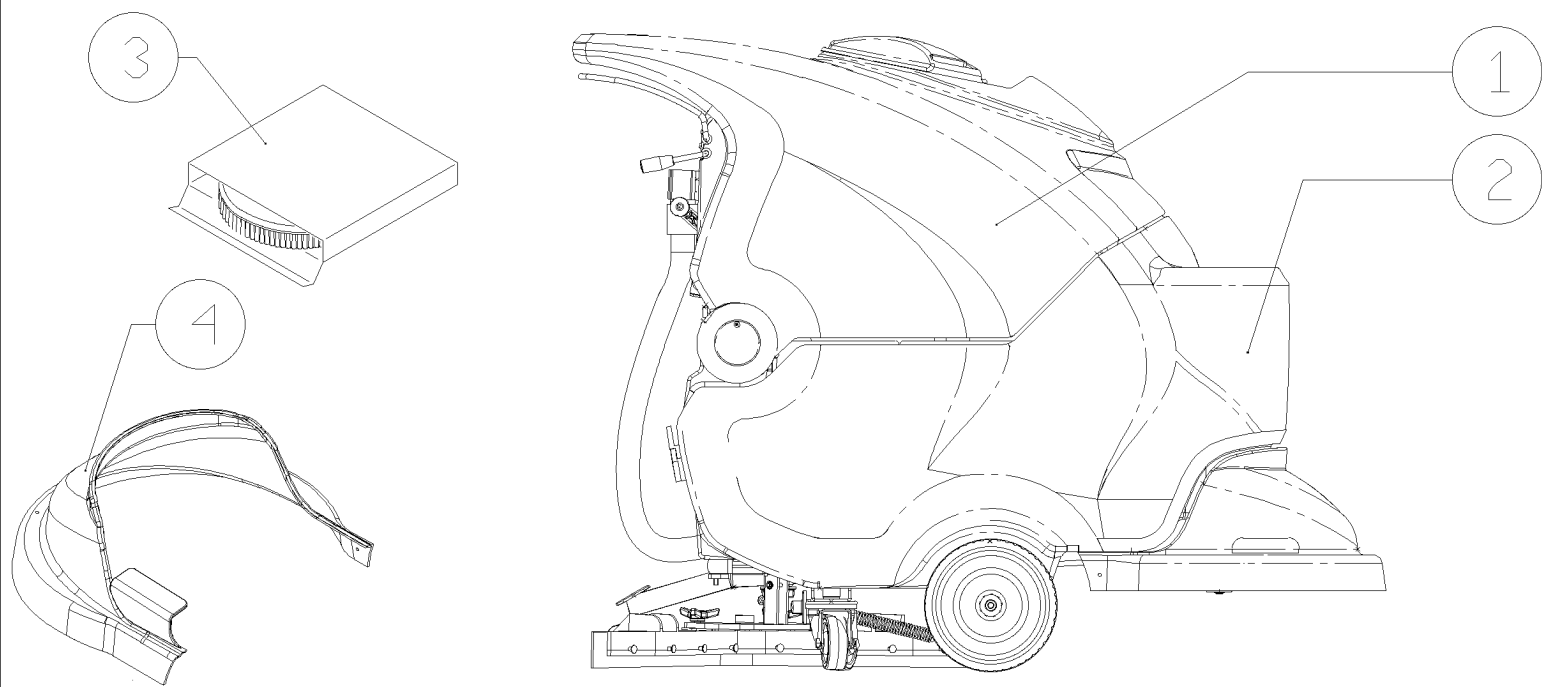
Ref.	K	Part N.	Customer Part N.	Description	Qty	Validity:		Price
						From	To	
0001	LAFN08989			SUPPORT	1,00			--
0002	ETET01717			LABEL	1,00			--
0003	MEVR01666			KNOB POTENTIOMETER	1,00			--
0004	MECI00402			BUTTON A FUNGO	1,00			--
0006	VTDD21115			NUT M 3 INOX	5,00			--
0007	VTRS00268			WASHER D.3	5,00			--
0008	MECB01329			BOARD BT CT70 H2O - NEW	1,00	04/2013		--
0008	MECE00474			BOARD CT70 EV	1,00		04/2013	--
0009	GUGO38417			GASKET PANN.COM.EXTREME	1,00			--
0011	VTVT37012			SCREW M 4X 10 TCB-TC INX	3,00			--
0012	VTRS00515			WASHER D. 4 INX	10,00			--
0013	CHVR00051			DIASS.SPANNERPULSANTE FUNGO	1,00			--
0014	VTVT07725			SCREW TE 5X16 UNI5739 INX	2,00			--
0015	LAFN05904			PLATE MICRO LEVA	1,00			--
0016	VTRS00516			WASHER D. 5 INX	2,00			--
0017	VTDD01693			NUT M 5 INX	6,00			--
0018	VTRS21116			WASHER D. 3 INX	2,00			--
0019	MECI00403			CONTACT	1,00			--
0020	MLML34726			SPRING TR E350 N	1,00			--
0021	VTVT01316			SCREW TC+ M3-16	2,00			--
0022	MECI36393			MICROSWITCH TRZ. DRW	1,00			--
0030	VTDD15925			NUT M 4 INX	1,00			--
0031	VTVT00704			SCREW TE M 4X 16 UNI5739 INOX	5,00			--
0035	RCVR00164			CARRYNG BAG	1,00			--
0036	MECI30499			SWITCH 10A - 250VAC	1,00			--
0037	MEVR01975			RUBBER DEVIATORE	1,00			--
0041	MECI00005			RELAY 24V 10/20A	1,00			--
0042	VTDD01694			NUT M6 INOX	1,00			--
0043	VTRS00245			WASHER D.6 UNI 6592 INOX	1,00			--
0045	VTVT00722			SCREW	3,00			--
0052	MECI00516			SENSOR DI LIVELLO ORIZZONTALE	2,00			--
0054	LAFN35588			BATTERY SUPPORTLAV. BT	1,00			--
0056	MEVR01428			FUSE A LAMA 2 A. UNIVAL	1,00			--
0057	MEVR02061			FUSE 80A	1,00			--
0058	MEVR02060			FUSE 40A	2,00			--
0059	METT00085			CONTACTOR 100A	1,00			--
0060	MECE00574			BOARD CT40-70-90	1,00			--
0062	MEVR01079			PLUG M CB50 A 600V RD.	1,00			--
0064	VTDD08634			NUT M2	2,00			--



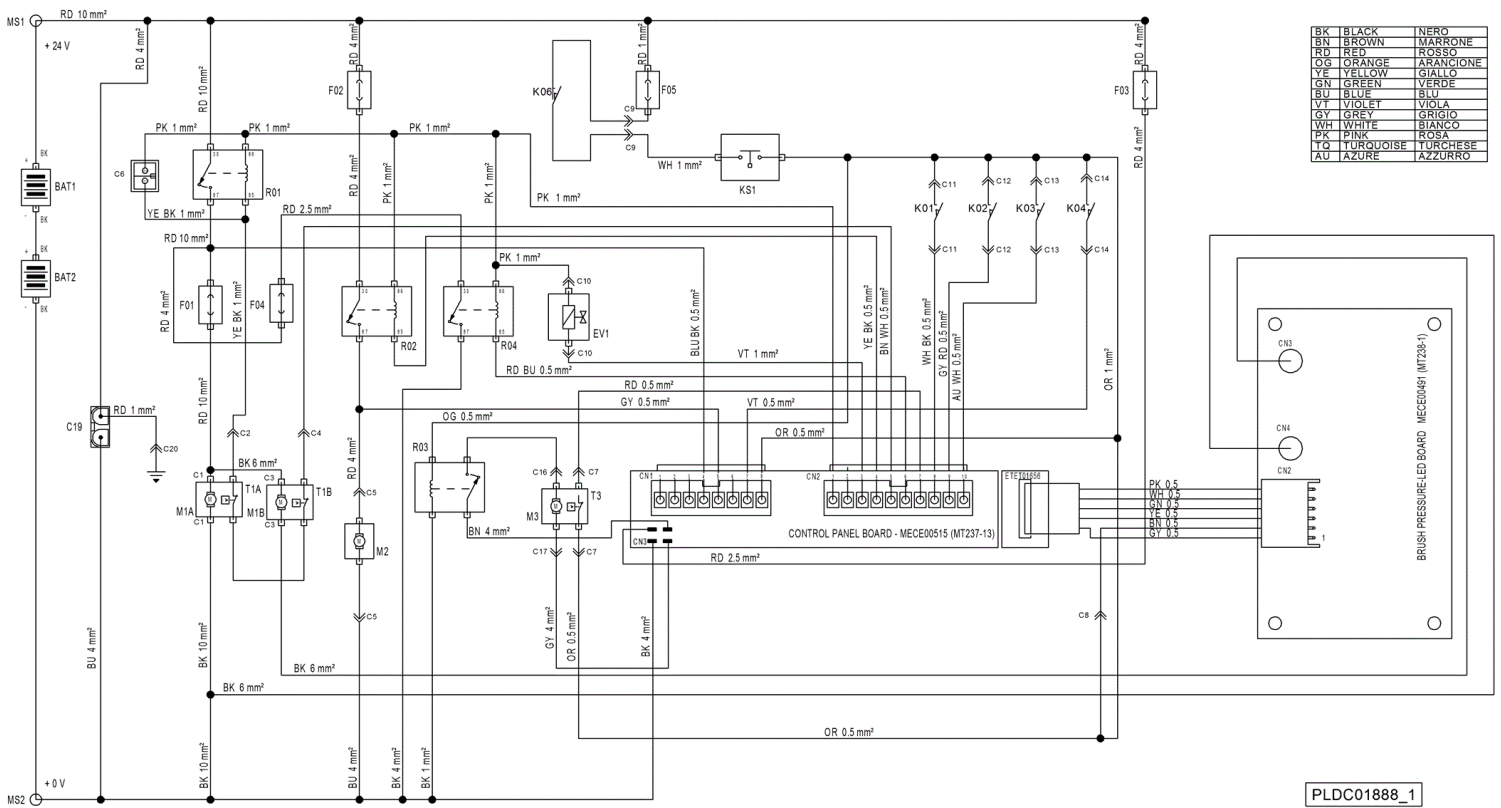
Ref.	K	Part N.	Customer Part N.	Description	Qty	Validity:		Price
						From	To	
0065		FSVR00099		CLAMP FERMATUBO	2,00			--
0068		MECI00334		MICROSWITCH V4	1,00			--
0069		LAFN06409		SUPPORT -	1,00			--
0070		VTVT00671		SCREW TC- M.2-16 OTTONE	2,00			--
0071		VTVT00872		SCREW TSP+ 2.9X13 AUTOFIL. INOX	1,00			--
0072		VTVT00814		SCREW TE M.4-25	2,00			--
0073		VTRS15913		WASHER D. 4 GROVER A2 UNI1751	2,00			--
0074		MECB01302		WIRING CT40-70 BT	1,00		04/2013	--
0074		MECB01334		WIRING CT40-55-70 BT	1,00	04/2013		--
0075		MEVR34820		WIRING B 450 BT	1,00			--
0076		VTVT01676		SCREW TSTC UNI 7688 M6X16	1,00			--
0077		MPVR00043		CAP CHIUS.FORO PORTAFUS.L 15	1,00			--



Ref.	K	Part N.	Customer Part N.	Description	Qty	Validity:		Price
						From	To	
0001		TBFX48011		TUBE FLEX D.12X3 ARMORV.PVC TR	0,71			--
0002		FSVR00428		CLAMP D. 12-20	4,00			--
0004		VTRS00515		WASHER D. 4 INX	2,00			--
0005		MEEV00036		SOLENOID VALVE HOLE 8mm CLEANTIME	1,00			--
0010		MPVR05221		FILTER COMPLETO	1,00		02/2013	--
0010		MPVR06303		FILTER CT40-70-90	1,00	02/2013		--
0011		LAFN07783		CONNECTOR -	1,00			--
0012		VTRS00567		WASHER 1/2	2,00			--
0017		TBFX48011		TUBE FLEX D.12X3 ARMORV.PVC TR	0,17			--
0019		VTVT01158		SCREW M4x16	2,00			--



Ref.	K	Part N.	Customer Part N.	Description	Qty	Validity:		Price
						From	To	
0001		MPVR07066		TANK RECOVERY CT40 PANTONE 368	1,00			--
0002		MPVR05090		TANK SOLUTION RAL7024	1,00			--
0003		SPPV43963		BRUSH NYL 0.8 500	1,00			--
0004		MPVR04722		BRUSH PROTECT. 55	1,00			--



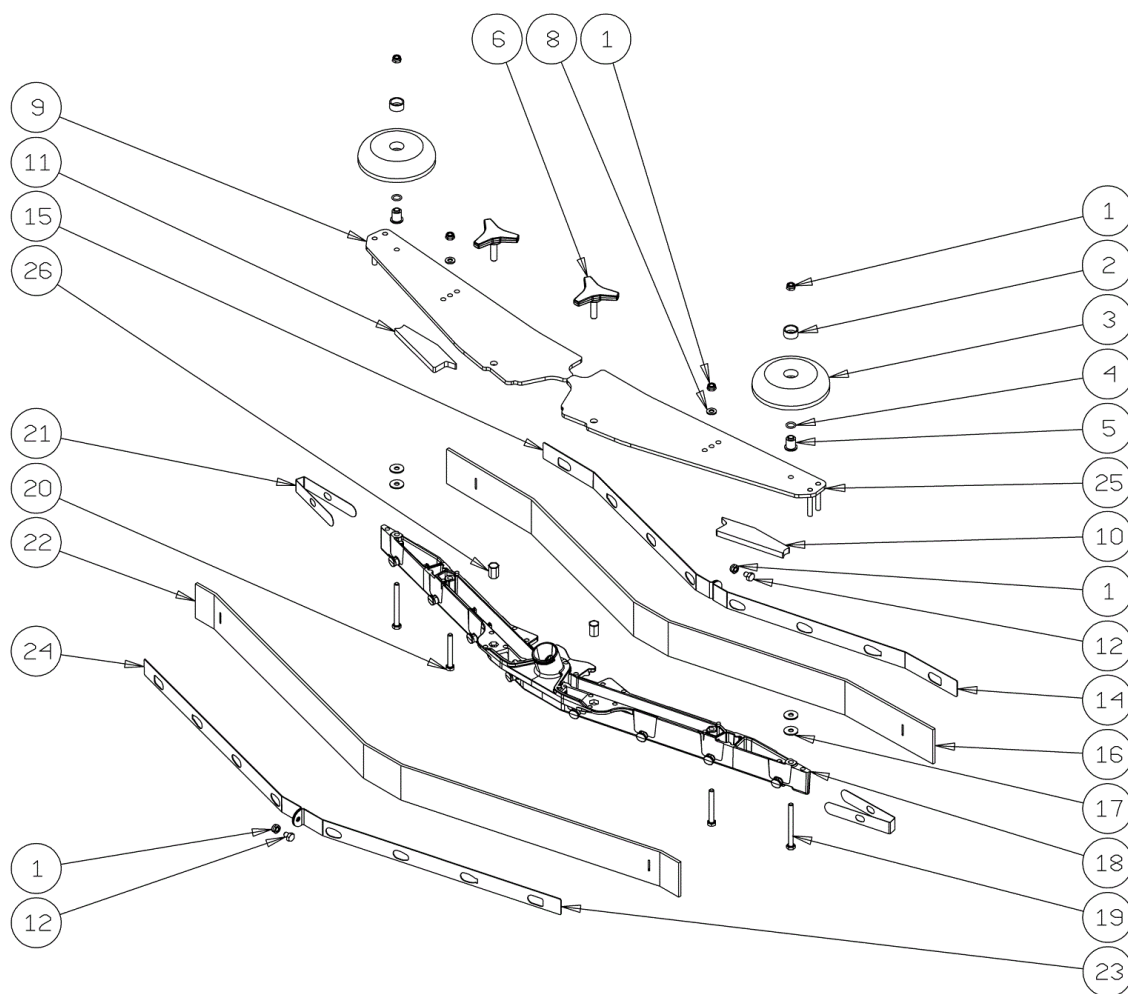
Ref.	K	Part N.	Customer Part N.	Description	Qty	Validity:		Price
						From	To	
EV1		MEEV00036		SOLENOID VALVE HOLE 8mm CLEANTIME	1,00			--
F01		MEVR02061		FUSE 80A	1,00			--
F02		MEVR02060		FUSE 40A	1,00			--
F03		MEVR02061		FUSE 80A	1,00			--
F04		MEVR02060		FUSE 40A	1,00			--
F05		MEVR01428		A LAMA 2 A. UNIVAL	1,00			--

COMPONENTS		
F01	FUSE- BRUSH MOTORS (80 A)	FUSIBILE SPAZZOLE POTENZA (80 A)
F02	FUSE-VACUUM MOTOR (40 A)	FUSIBILE ASPIRATORE POTENZA (40 A)
F03	FUSE-TRACTION MOTORS (80 A)	FUSIBILE MOTORE TRAZIONE (80 A)
F04	FUSE-BRUSHES RELEASE (40 A)	FUSIBILE SGANCIO SPAZZOLE (40 A)
F05	FUSE-CONTROL PANEL (2 A)	FUSIBILE PLANCIA (2 A)
R01	RELAY- BRUSH MOTORS	TELERUTTORE SPAZZOLE
R02	RELAY- VACUUM MOTOR	RELE' ASPITATORE
R03	RELAY- TRACTION MOTOR	RELE' MOTORE TRAZIONE
R04	RELAY- BRUSH RELEASE	RELE' SCANCIO SPAZZOLE
EV1	ELECTRO-VALVE	ELETTROVALVOLA ACQUA
KS1	GENERAL KEY	CHIAVE AVVIAMENTO
K01	SWITCH- HAND LEVER	INTERRUTTORE LEVA TRAZIONE
K02	SWITCH- RECOVERY TANK LEVEL (MAX)	LIVELLO TROPPO PIENO (N.O.)
K03	SWITCH- SOLUTION TANK LEVEL (MIN)	LIVELLO MINIMO SERBATOIO (N.O.)
K04	SWITCH- FORWARD / REWARD	INTERRUTTORE MARCIA AVANTI INDIETRO
K06	SWITCH- BATTERY RECHARGE SAFETY	MICRO SICUREZZA RICARICA BATTERIE
M1A	MOTOR- BRUSH 1	MOTORE SPAZZOLA -1
M1B	MOTOR- BRUSH 2	MOTORE SPAZZOLA -2
M2	MOTOR- VACUUM	MOTORE ASPIRATORE
M3	MOTOR- TRACTION	MOTORE TRAZIONE
T1A	THERMIC SWITCH BRUSH MOTOR 1	TERMICA MOTORE SPAZZOLA -1
T1B	THERMIC SWITCH BRUSH MOTOR 2	TERMICA MOTORE SPAZZOLA -2
T3	THERMIC SWITCH TRACTION MOTOR	TERMICA MOTORE TRAZIONE

COMPONENTS		
MS1	CONNECTOR- BATTERY POSITIVE	MORSETTO BATTERIA POSITIVO
MS2	CONNECTOR- BATTERY NEGATIVE	MORSETTO BATTERIA NEGATIVO
C1	CONNECTOR- BRUSH MOTOR 1	CONN. MOTORE SPAZZOLA -1
C2	CONNECTOR- THERMIC SW. BRUSH MOTOR 1	CONN. TERMICA MOTORE SPAZZOLA -1
C3	CONNECTOR- BRUSH MOTOR 2	CONN. MOTORE SPAZZOLA -2
C4	CONNECTOR- THERMIC SW. BRUSH MOTOR 2	CONN. TERMICA MOTORE SPAZZOLA -2
C5	CONNECTOR- VACUUM MOTOR	CONN. MOTORE ASPIRAZIONE
C6	CONNECTOR- "CHEM DOSE" ACCESSORY	CONN. CHEM-DOS
C7	CONNECTOR THERMIC SWITCH-TRACTION MOTOR	CONN. TERMICA MOTORE TRAZIONE
C8	CONNECTOR- PRESSURE BOARD	CONN. POSITIVO SCHEDA PRESSIONE
C9	CONNECTOR- BATTERY RECHARGE SAFETY	CONN.SICUREZZA RICARICA BATTERIE
C10	CONNECTOR- BOARD/ ELECTROVALVE	CONN. E.V. H2O DA SCHEDA ELETTRONICA
C11	CONNECTOR- HAND LEVER	CONN. LEVA TRAZIONE
C12	CONNECTOR- RECOVERY TANK LEVEL (MAX)	CONN. LIVELLO TROPPO PIENO
C13	CONNECTOR- SOLUTION TANK LEVEL (MIN)	CONN. LIVELLO MINIMO
C14	CONNECTOR- FORWARD / REWARD	CONN. SELETORE MARCIA
C15	CONNECTOR- EXTERNAL BATT.CHARGER	CONN. MICRO C.B. ESTERNO
C16	CONNECTOR- TRACTION MOTOR	CONN. MOTORE TRAZIONE
C17	CONNECTOR- TRACTION MOTOR	CONN. MOTORE TRAZIONE
C19	CONNECTOR- BATTERY RECHARGE	SPINA ANDERSON RICARICA BATTERIE
C20	RING TERMINAL Ø8	CAPICORDA CON OCCHIELLO Ø8
CN1	CONNECTOR- CONTROL PANEL BOARD	CONN. 1 SCHEDA PLANCIA
CN2	CONNECTOR- CONTROL PANEL BOARD	CONN. 2 SCHEDA PLANCIA
CN3	CONNECTOR- CONTROL PANEL BOARD	CONN. 3 SCHEDA PLANCIA
CN4	CONNECTOR- CONTROL PANEL BOARD	CONN. 4 SCHEDA PLANCIA

PLDC01888_1

Ref.	K	Part N.	Customer Part N.	Description	Qty	Validity:		Price
						From	To	
EV1		MEEV00036		SOLENOID VALVE HOLE 8mm CLEANTIME	1,00			--
F01		MEVR02061		FUSE 80A	1,00			--
F02		MEVR02060		FUSE 40A	1,00			--
F03		MEVR02061		FUSE 80A	1,00			--
F04		MEVR02060		FUSE 40A	1,00			--
F05		MEVR01428		FUSE A LAMA 2 A. UNIVAL	1,00			--



Ref.	K	Part N.	Customer Part N.	Description	Qty	Validity:		Price
						From	To	
0001		VTDD01694		NUT M6 INOX	6,00			--
0002		MPVR49229		BUSHING SHK	2,00			--
0003		MPVR05290		ROLLER PARACOLPI	2,00			--
0004		GUGO00164		GASKET	2,00			--
0005		LAFN04100		SPACER PER RUOTINO PARACOLPI	2,00			--
0006		MPVR06003		KNOB AISI 304	2,00		03/2013	--
0006		MPVR06004		KNOB AISI 304	2,00	03/2013		--
0008		VTRS00245		WASHER D.6 UNI 6592 INOX	2,00			--
0009		LAFN09012		PLATE -	1,00			--
0010		GUVR00301		GASKET -	1,00			--
0011		GUVR00300		GASKET -	1,00			--
0012		VTVT01161		SCREW M6x8	2,00			--
0014		LAFN08948		BRACKET -	1,00			--
0015		LAFN08949		BRACKET -	1,00			--
0016		MPVR08039		BLADE S LATEX	1,00			--
0017		VTRS13945		WASHER D. 6X18 INX UNI 6593	4,00			--
0018		KTRI02048		BODY SQUEEGEE PRESSOFUSO "S"	1,00			--
0019		VTVT00841		SCREW TE M 6X65 UNI 5739 INX	2,00			--
0020		VTVT15515		SCREW TE M 6X 50 INOX A2	2,00			--
0021		MPVR05897		CLOSURE S	2,00			--
0022		MPVR08035		BLADE S LATEX	1,00			--
0023		LAFN08950		BRACKET -	1,00			--
0024		LAFN08951		BRACKET -	1,00			--
0025		LAFN09013		PLATE -	1,00			--
0026		VTVR00565		INSERT -	2,00			--