

IPC Integrated Professional Cleaning

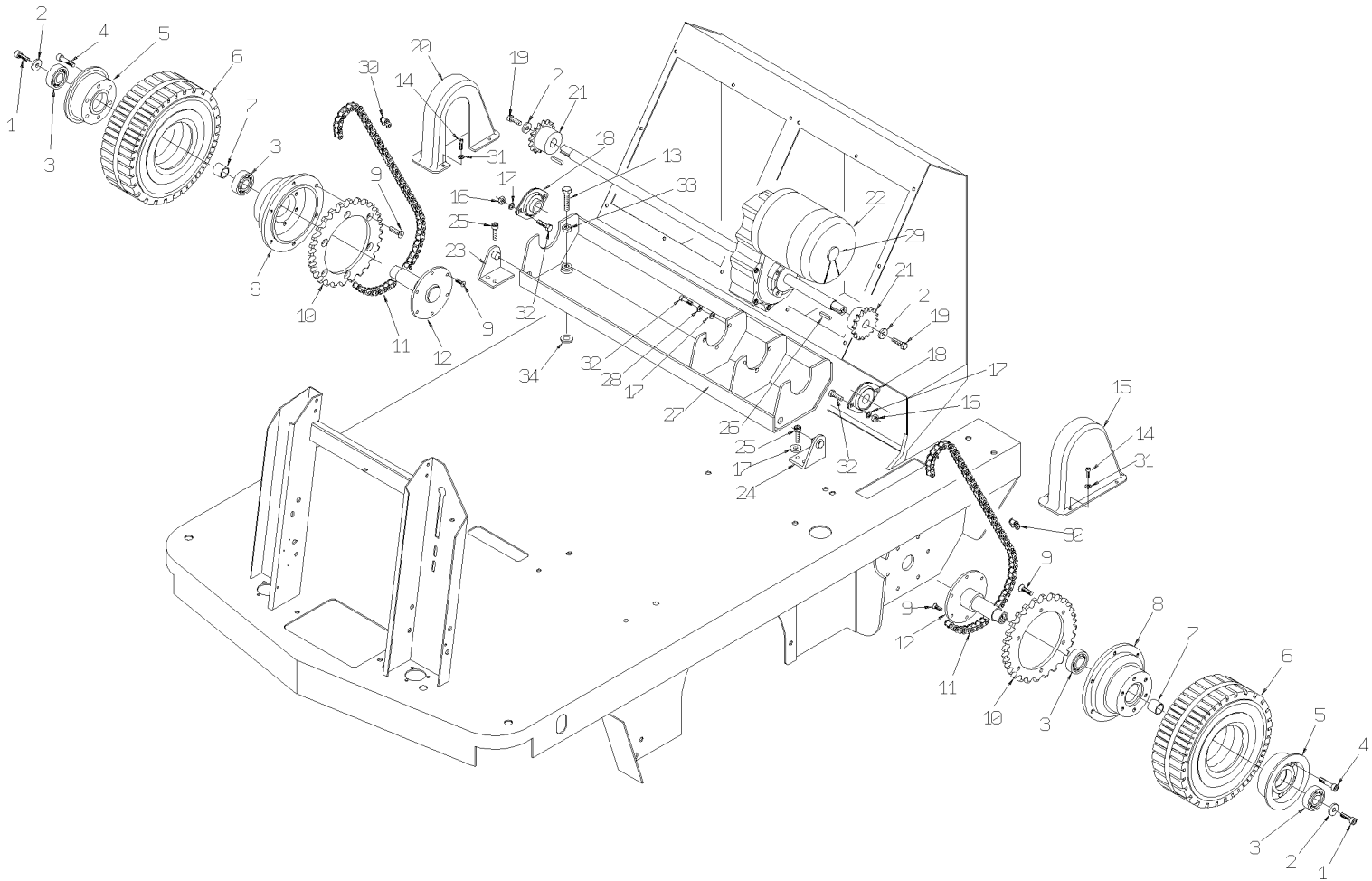
IPC Gansow

Spare Parts List

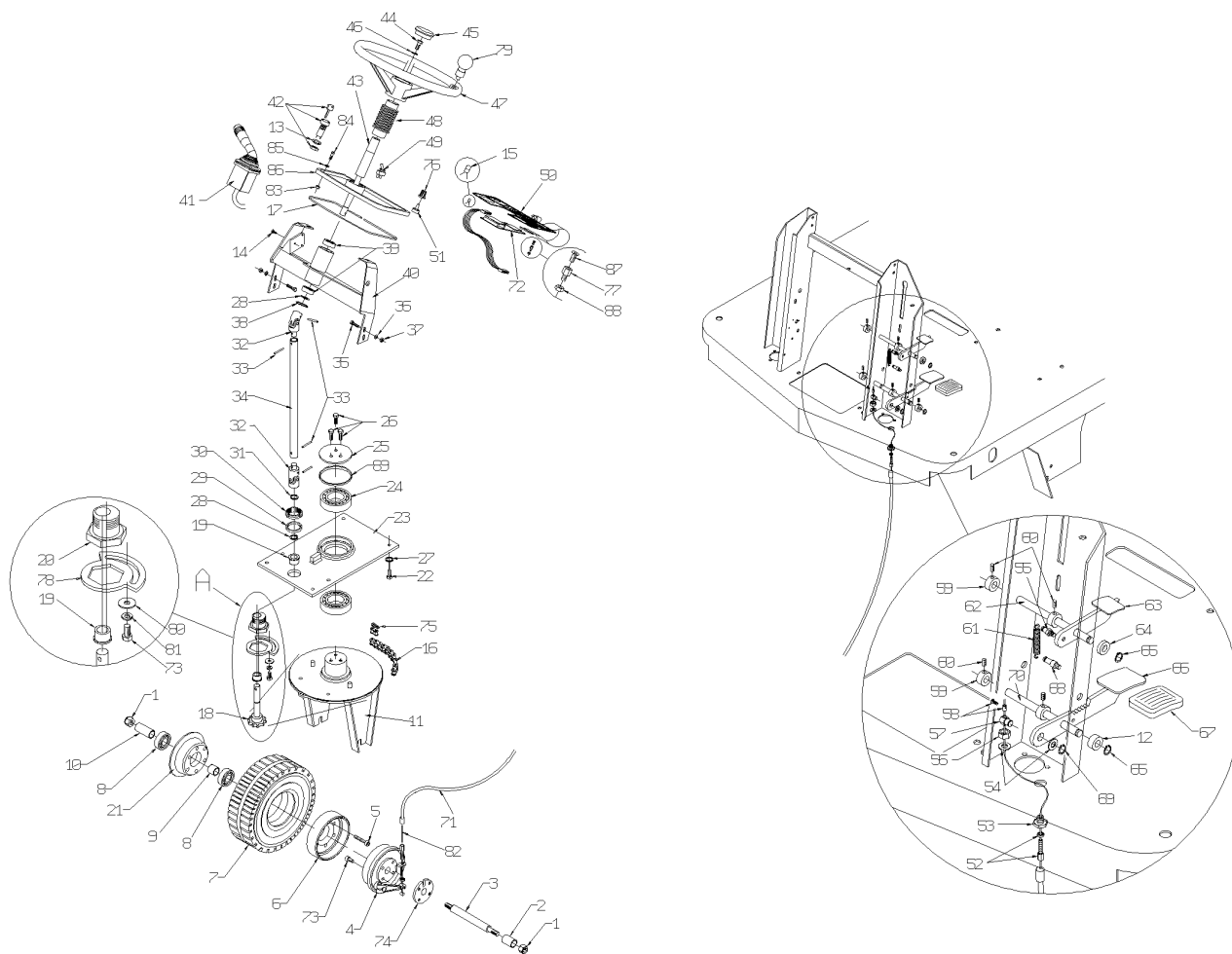
TAVERNARO AG

Ref: MSUB00085

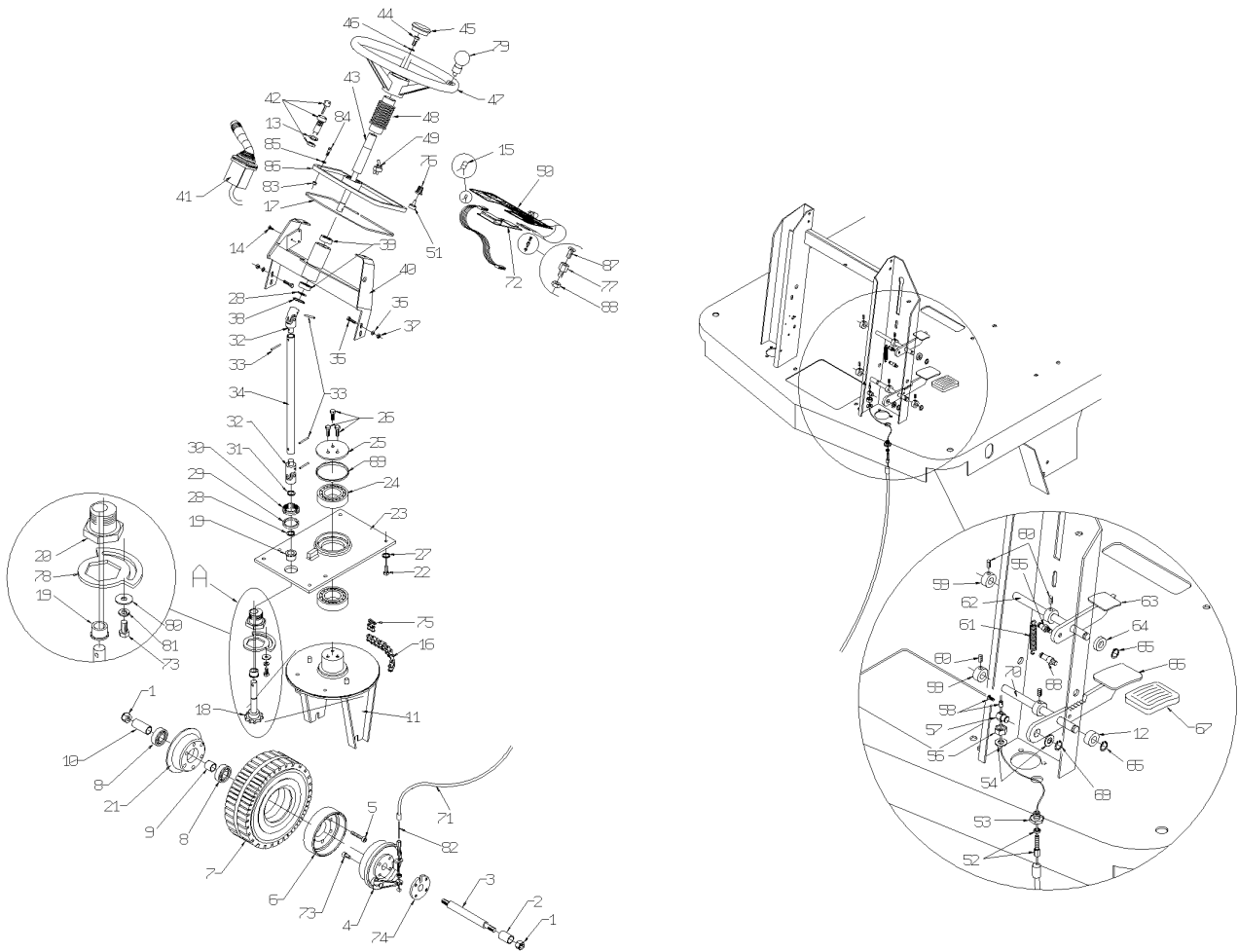
Model: Spazzatrice G 1400 DP DIESEL gri/gri 2SP



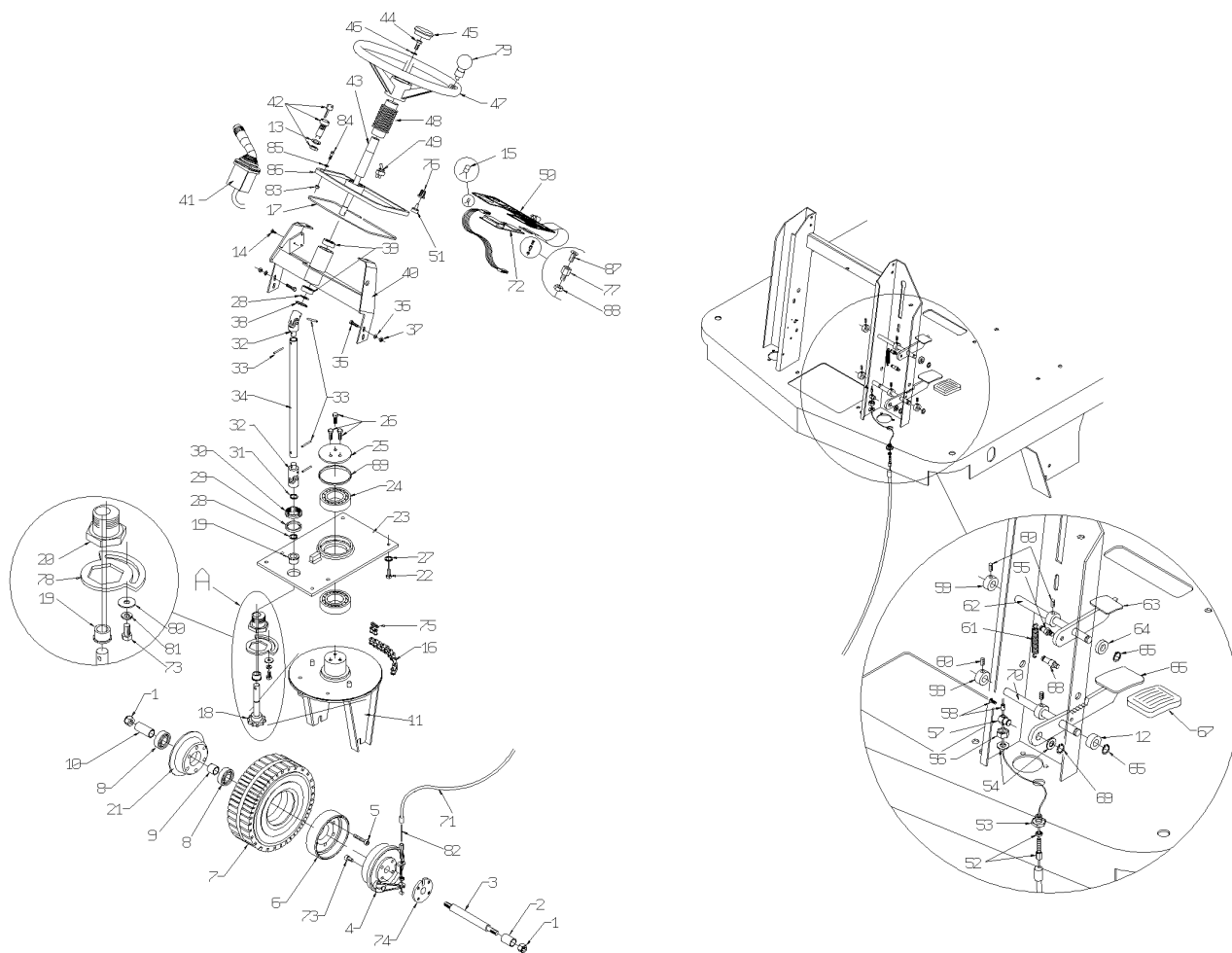
Ref. K	Part N.	Customer Part N.	Description	Qty	Validity:		Price
					From	To	
0001	VTVT87271		SCREW TBEI M 8X 16 ISO 7380	2,00			--
0002	VTRS00513		WASHER D. 8 X32 P.	4,00			--
0003	CUVR08998		BALL BEARING 6204 2RS1	4,00			--
0004	VTVT01119		SCREW TCEI 8X20 UNI5931	12,00			--
0005	LAFN45083		HUB TK1400 AN/PST.	2,00			--
0006	RTRT45132		WHEEL D.306 4.00-4 S.EL.	2,00			--
0007	LAFN45336		SPACER D. 20-24 L=22	2,00			--
0008	LAFN45084		HUB TK1400 PST.	2,00			--
0009	VTVT01534		SCREW TSPEI 8X30 UNI5933	18,00			--
0010	MTCR45337		TOOTHED WHEEL Z. 45 P 1/2"	2,00			--
0011	MTCR45085		CHAIN 1/2 TK1400 TRZ.	2,00			--
0012	LAFN45086		WHEEL SUPPORT TK1400 PST.	2,00			--
0013	VTVT01536		SCREW TE 10X45 UNI5739	2,00			--
0014	VTVT75726		SCREW TBEI M 6X 16 ISO 7380 ZB	4,00			--
0015	MPVR45338		CRANKCASE L.14 SX	1,00			--
0016	VTDD87083		NUT AUTO BLOCK M8 DIN 985 ZB	4,00			--
0017	VTRS76640		WASHER 8 X 17	14,00			--
0018	LAFN87166		SUPPORT	2,00		11/2010	--
0018	CUVR00105		SUPPORT	2,00	11/2010		--
0019	VTVT87271		SCREW TBEI M 8X 16 ISO 7380	2,00			--
0020	MPVR45396		CRANKCASE L.14 DX	1,00			--
0021	MTCR45897		PINION Z.12 P 1/2	2,00			--
0022	RDGR45088		MOTOR.GEARBOX DV 1400 24V	1,00			--
0023	LAFN45397		SUPPORT L.14 DX	1,00			--
0024	LAFN45398		SUPPORT L.14 SX	1,00			--
0025	VTVT00066		SCREW TCCE UNI 5931 8X25 ZB	4,00			--
0026	VTVR23472		KEY 6X6X25	2,00			--
0027	MPVR45399		SHAFT SUPPORT L.14	1,00			--
0028	VTRS00020		WASHER GOWER UNI 1751 UNI 1751	6,00			--
0029	MECI00035		DASHBOARD DI TEMPERATURA F11-95 NC	1,00			--
0030	MTCR45401		WARP KNITTING 1/2	2,00			--
0031	VTRS00011		WASHER UNI 6592 6X12 ZB	2,00			--
0032	VTVT29810		SCREW TCEI M 8X20 UNI 5931	10,00			--
0033	VTDD00006		NUT UNI 5588 M10 ZB	2,00			--
0034	LAFN47016		SPACER L.14	2,00			--



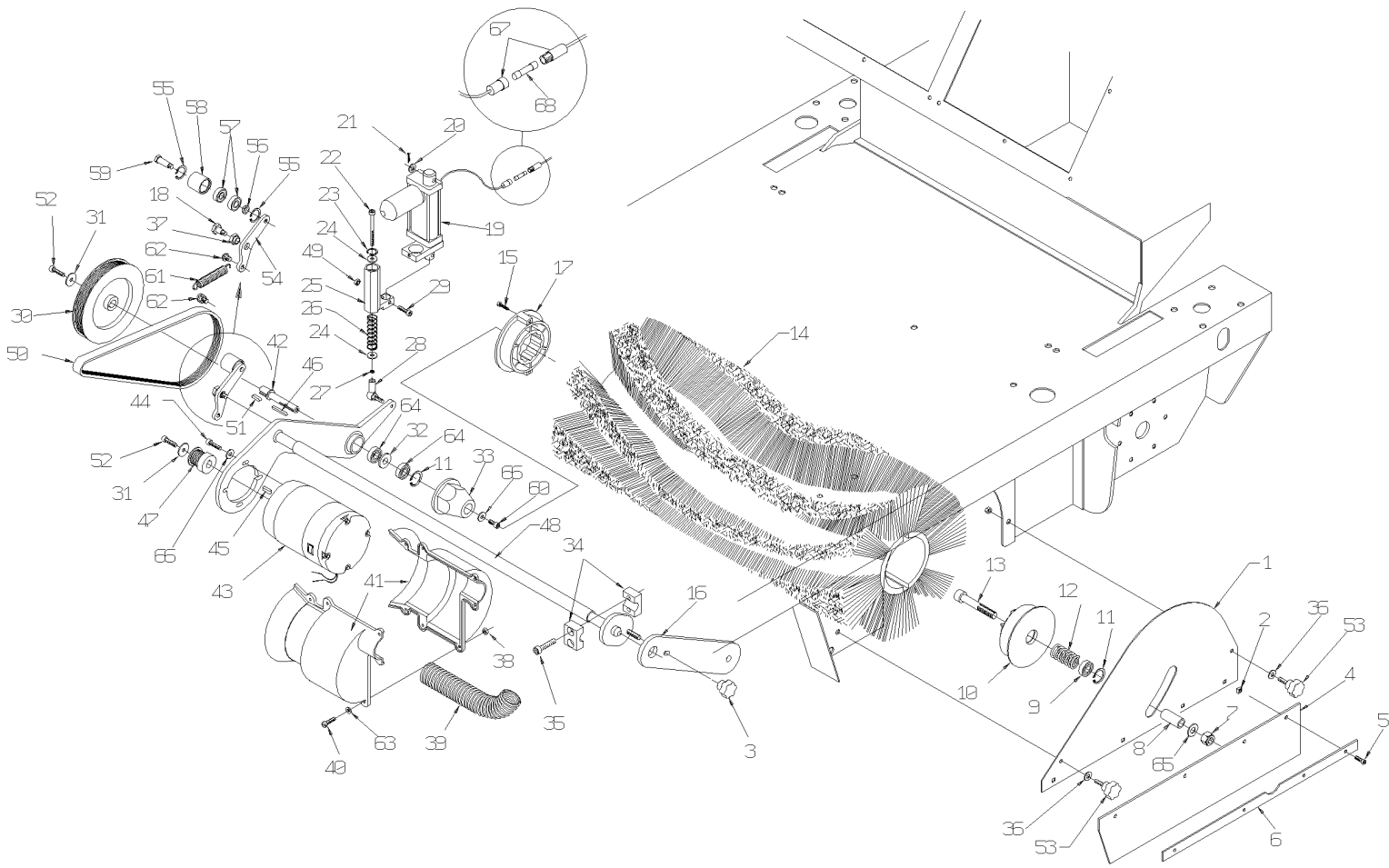
Ref.	K	Part N.	Customer Part N.	Description	Qty	Validity:		Price
						From	To	
0001		VTDD00012		NUT AUTOBLOK DIN 985 M12 ZB	2,00			--
0002		LAFN47017		SPACER D. 20-24 L=55	1,00			--
0003		LAFN45089		WHEEL PIN TK1400 ANT.	1,00			--
0004		RTRT45090		BLOCK BRAKE D.125 TK	1,00			--
0005		VTVT00066		SCREW TCCE UNI 5931 8X25 ZB	6,00			--
0006		LAFN45091		HUB TK1400 FRN.	1,00			--
0007		RTRT45132		WHEEL D.306 4.00-4 S.EL.	1,00			--
0008		CUVR08998		BALL BEARING 6204 2RS1	2,00			--
0009		LAFN45336		SPACER D. 20-24 L=22	1,00			--
000A		KTRI46514		PIN TK 1000 + BUSCH.	1,00			--
0010		LAFN47018		SPACER D. 20-24 L=35	1,00			--
0011		LAFN45092		WHEEL SUPPORT TK1400 ANT.	1,00			--
0011		LAFN45092		WHEEL SUPPORT TK1400 ANT.	1,00			--
0012		LAFN47019		BUSHING L.14	1,00			--
0013		VTRS00023		WASHER DENTATA INT.UNI 6798 D.18	1,00			--
0014		VTVT00099		SCREW AUTOF.TC UNI 6954 3.9X13	3,00			--
0015		MEVR00141		OIL WARN-LIGHT LED OLIO,BENZINA TK1400	2,00			--
0016		MTCR45093		CHAIN 3/8 TK1400 STE.	1,00			--
0017		GUVR44786		GASKET L.14	1,00			--
0018		LAFN75974		PIN TK 1000	1,00			--
0019		LAFN75841		BUSHING TK 1000	2,00			--
0020		LAFN75842		BUSHING TK 1000	1,00			--
0021		LAFN45083		HUB TK1400 AN/PST.	1,00			--
0022		VTVT00015		SCREW TE UNI 5739 8X25 ZB	6,00			--
0023		LAFN45094		FLANGE TK1400	1,00			--
0024		CUVR75816		BEARING 51112	2,00			--
0025		LAFN47004		FLANGE TK1400	1,00			--
0026		VTVT00014		SCREW TE UNI 5739 8X20 CL.10.9	3,00			--
0027		VTRS00020		WASHER GOWER UNI 1751 UNI 1751	6,00			--
0028		LAFN47020		THICKNESS D.15X22X1.0	2,00			--
0029		LAFN75913		SPACER TK	1,00			--
0030		VTVR75747		RING NUT AUTOBLOK M 35 X 1,5 GUK	1,00			--
0031		VTAE17003		CIRCLIP D. 15 UNI 7435	1,00			--
0032		VTVR47021		ARTICULATION D. 5-15	2,00			--
0033		VTVR46987		ELASTIC PLUG 5X25 UNI 6873	4,00			--
0034		LAFN47022		LOW STEERING L.14	1,00			--
0035		VTVT62920		SCREW TE F/ROND. M 6X 16 ZB	4,00			--
0036		VTRS86634		WASHER 6X18X1,5 UNI6593	4,00			--
0037		VTDD00010		NUT AUTOBLOK DIN 985 M6 BASSO	4,00			--



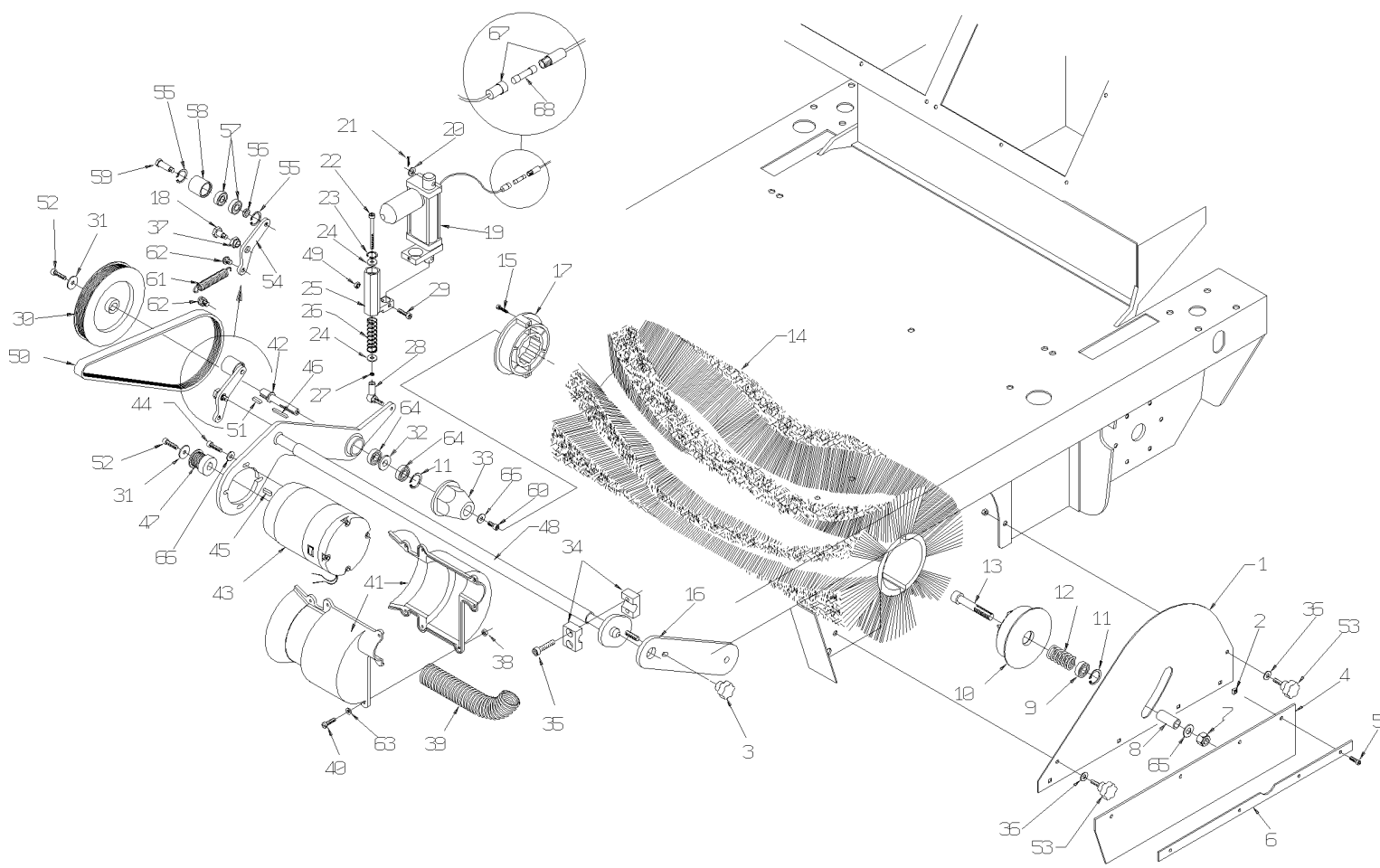
Ref. K	Part N.	Customer Part N.	Description	Qty	Validity:		Price
					From	To	
0038	VTAE17003		CIRCLIP D. 15 UNI 7435	1,00			--
0039	CUVR00005		BEARING 6202 2RS	2,00			--
0040	LAFN47023		SUPPORT L.14	1,00			--
0041	MECI00033		SELECTOR DIRECTIONAL CONTROL	1,00			--
0042	MECI75805		SWITCH TK	1,00			--
0043	LAFN47024		UP STEERING L.14	1,00			--
0044	VTVT47025		SCREW TBEI M 10X 16 ISO 7380 ZB	1,00			--
0045	MPVR47026		BLACK CAP L.14	1,00			--
0046	VTRS44254		WASHER D.10 X40X2.5 UNI6593	1,00			--
0047	MPVR47027		STEERING WHEEL D. 320 L.14	1,00			--
0048	MPVR47028		PROTECTOR STZ. L.14	1,00			--
0049	MECI75945		COMMUTAT.SWITCH3 POS. TK	1,00			--
0050	MECE44770		PCB L.1400	1,00			--
0051	MECB00082		CABLE 26 CABLAG.SPAZZATR.TK1400	1,00			--
0052	CMCV75723		REGISTER D.7	1,00			--
0053	LAFN75975		PIN TK	1,00			--
0054	VTRS86510		WASHER 15X24 UNI6592	2,00			--
0055	LAFN47029		PIN CH.10 H.16	1,00			--
0056	VTDD00007		NUT UNI 5588 M12 ZB	1,00			--
0057	LAFN75973		PIN FLAP TK	1,00			--
0058	VTVR00031		CLAMP FRENO TK1400	1,00			--
0059	LAFN47030		BUSHING L.14	4,00			--
0060	VTVT75731		SCREW UNI 5923 6 X5	3,00			--
0061	MLML75960		SPRING D. 8 X1 X32	1,00			--
0062	LAFN47031		PIN L.14	1,00			--
0063	LAFN47032		PEDALE L.14	1,00			--
0064	LAFN47033		BUSHING L.14	1,00			--
0065	VTAE87276		SEGER EXT. D10 DIN471	2,00			--
0066	LAFN47034		BRAKE PEDAL L.14	1,00			--
0067	MPVR45096		RUBBER V 1201 GR.	1,00			--
0068	LAFN47035		PIN CH.10 H.26	1,00			--
0069	VTAE14016		CIRCLIP D. 12 UNI 7435	1,00			--
0070	LAFN47036		PIN BRK.+FLAP L.14	1,00			--
0071	CMCV87173		SHEATH CAVO FRENO 21251013	1,00			--
0072	MECE44771		PCB DISPLAY L.1400	1,00			--
0073	VTVT00013		SCREW TE UNI 5739 8X16 ZB	5,00			--
0074	LAFN45872		FLANGE L.14	1,00			--
0075	MTCR47037		WARP KNITTING 3/8	2,00			--
0076	MECB00082		CABLE 26 CABLAG.SPAZZATR.TK1400	1,00			--



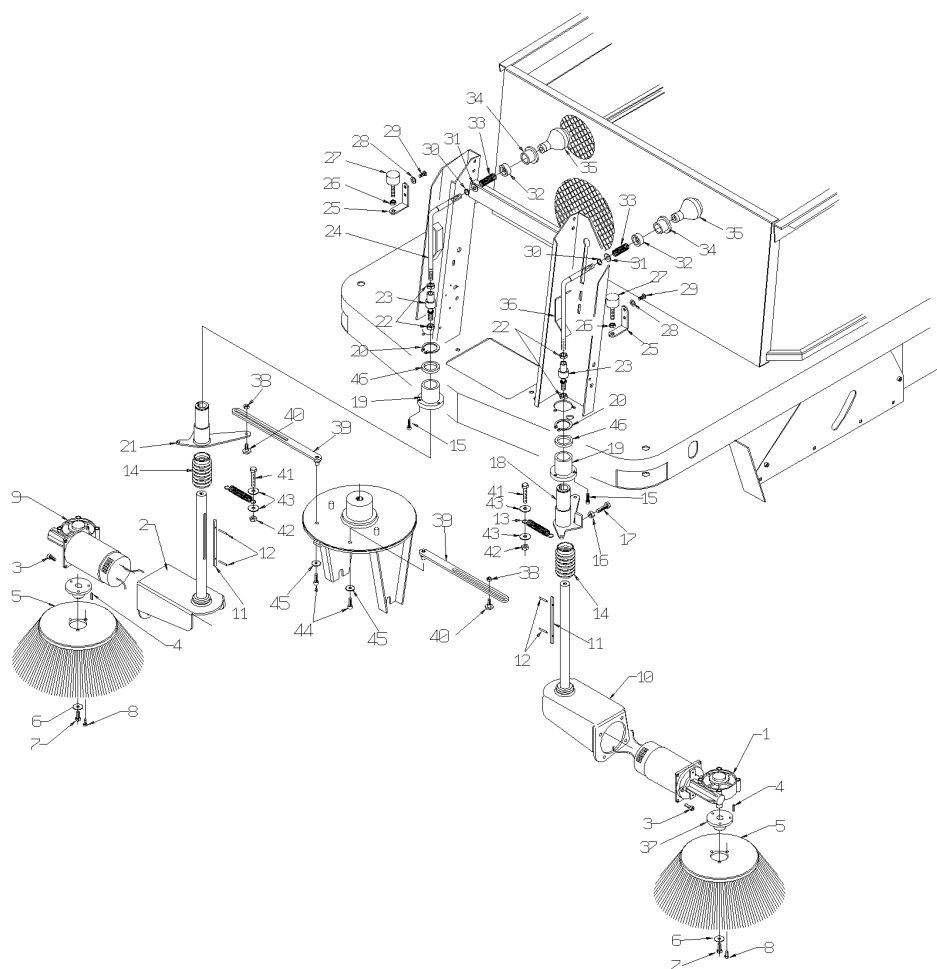
Ref. K	Part N.	Customer Part N.	Description	Qty	Validity:		Price
					From	To	
0077	LAFN47038		CONNECTOR M-F M3	3,00			--
0078	LAFN47039		FLANGE L.14	1,00			--
0079	MPVR47040		KNOB L.14	1,00			--
0080	VTRS87283		WASHER D.8X24X2,5 ZB UNI 6593	1,00			--
0081	VTRS00020		WASHER GOWER UNI 1751 UNI 1751	1,00			--
0082	CMCV85320		CABLE D.2,5 L.760 21251003	1,00			--
0083	VTDD00013		NUT INGABBIATO UNI 3740 M6	2,00			--
0084	VTVT09916		SCREW TBEI M 6X 20 ISO 7380 ZB	2,00			--
0085	VTRS00011		WASHER UNI 6592 6X12 ZB	2,00			--
0086	MPVR44783		INSTR.PANEL L.1400 ABS	1,00			--
0087	VTVT00035		SCREW M 3X 8 TS TC ZC	3,00			--
0088	VTDD00001		NUT UNI 5588 M3 ZB	6,00			--
0089	LAFN00912		THICKNESS STERZO	1,00			--



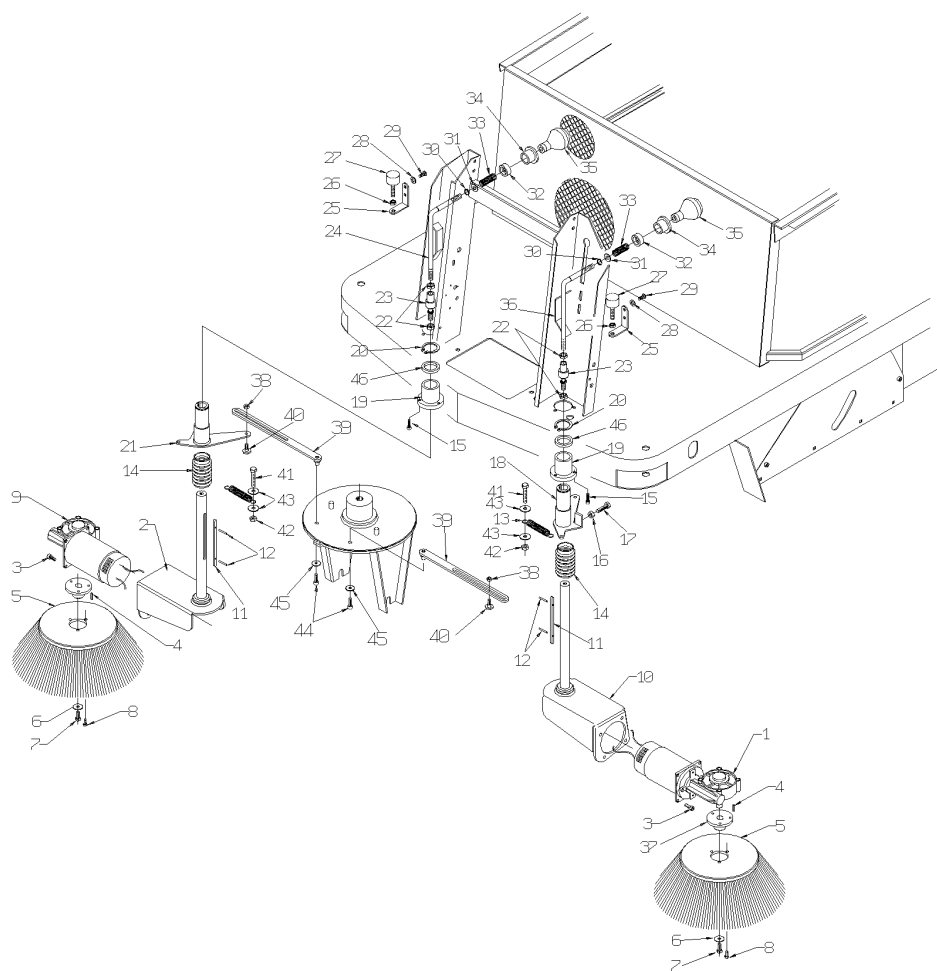
Ref.	K	Part N.	Customer Part N.	Description	Qty	Validity:		Price
						From	To	
0001		LAFN47045		DOOR L.14	1,00			--
0002		VTVR47015		INSERT PLS. D.3	4,00			--
0003		VTVR00047		HANDWHEEL D.50 M8	1,00			--
0004		MPVR44782		RUBBER L.1400 DX-SX	1,00			--
0005		VTVT00106		SCREW AUTOFIL. TC 3,5X14,5	4,00			--
0006		LAFN47046		HOSE CLIP L.14 LT.	1,00			--
0007		VTDD00012		NUT AUTOBLOK DIN 985 M12 ZB	1,00			--
0008		LAFN47047		SPACER L.14	1,00			--
0009		CUVR00002		BEARING 6001 2RS	1,00		04/2003	--
0009		CUVR46942		BALL BEARING 6001-2RS1 -SKF	1,00	04/2003		--
0010		LAFN44772		FLANGE L.1400	1,00			--
0011		VTAE00010		SEEGER INTERNO DIN 472 D.28	2,00			--
0012		MLML45098		SPRING D. 25X38 TK1400	1,00			--
0013		VTVT47048		SCREW TCEI M12X80 UNI 5931	1,00			--
0014		SPPV43840		BRUSH D.330x800 ST.MD.	1,00			--
0014		SPPV43841		BRUSH D.330x800 ST.DR.	1,00			--
0015		VTVT47049		SCREW ATF TSP-TC 3,5X45 U.6955	2,00			--
0016		LAFN47050		LATERAL ARM L.14	1,00			--
0017		LAFN45099		DRIVE DISK TK1400	1,00			--
0018		LAFN47051		PIN L.14	1,00			--
0019		PMQE00017		ATUATOR SPAZZOLA CENTRALE	1,00	09/2003		--
0019		PMQE00138		CARRYNG BAG	1,00		09/2003	--
0020		VTRS00011		WASHER UNI 6592 6X12 ZB	1,00			--
0021		VTVR47052		SPLIT PIN "R" D. 2 X 43 ZC	1,00			--
0022		VTAE47053		CIRCLIP D. 20 UNI 7437	1,00			--
0023		VTAE00009		SEEGER INTERNO DIN 472 D.20	1,00			--
0024		MPVR45282		BUSHING TK1400	2,00			--
0025		MPVR45279		CASE TK1400	1,00			--
0026		MLML00018		SPRING D.20X2X81 X CILIND.STAB.	1,00			--
0027		VTDD00004		NUT M 6 ZC UNI5588	1,00			--
0028		VTVR45280		ARTICULATION AS M6	1,00			--
0029		VTVT00008		SCREW TE UNI 5739 6X30 ZB	1,00			--
0030		MTPL47054		PULLEY POLY-V J8 D. 155	1,00			--
0031		VTRS63242		WASHER D. 6 X24 ZC	2,00			--
0032		LAFN46932		SPACER L.14	1,00			--
0033		LAFN44774		HUB 1050	1,00			--
0034		LAFN47055		HOSE COLLAR C3 D.18	4,00			--
0035		VTVT06236		SCREW TCEI 6X40 UNI5931	4,00			--
0036		VTRS76640		WASHER 8 X 17	2,00			--



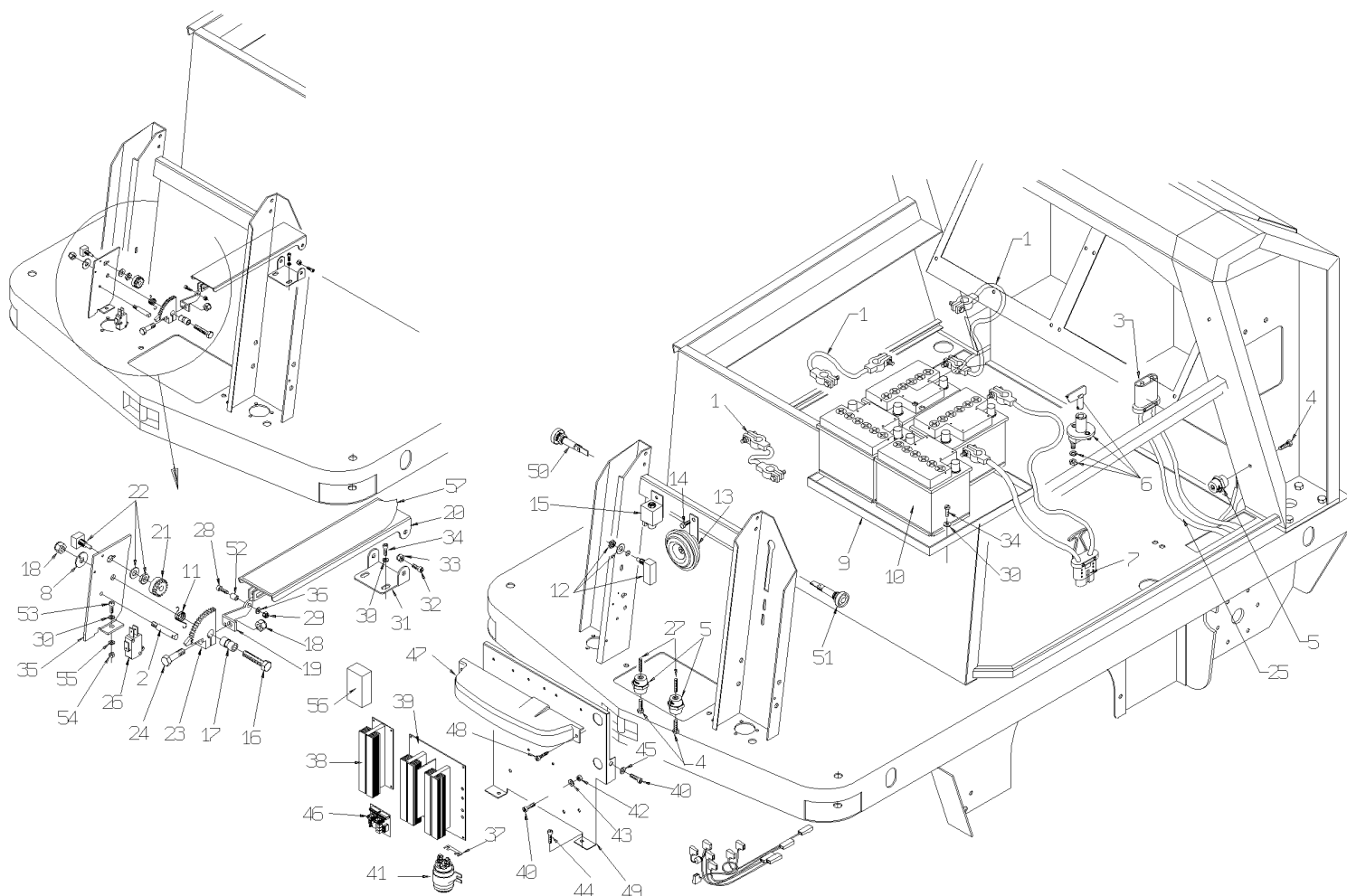
Ref.	K	Part N.	Customer Part N.	Description	Qty	Validity:		Price
						From	To	
0037		LAFN47033		BUSHING L.14	1,00			--
0038		VTVR47057		INSERT M4 X12	7,00			--
0039		TBFX00003		TUBE RAFFRE.MOT.SPAZ.CENT.1400	1,00			--
0040		VTVT72043		SCREW M 4 X16 TC UNI7687	7,00			--
0041		MPVR47058		CRANKCASE L.14	1,00			--
0042		LAFN44775		BRUSH PIN L.1400	1,00			--
0043		MOCC45100		TRACTION MOTOR CC L.14	1,00			--
0044		VTVT06237		SCREW TCEI 6X20 UNI5931	5,00			--
0045		VTVR13164		KEY 5X5X30	1,00			--
0046		VTVR00006		KEY UNI 6604 4X4X35	1,00			--
0047		MTPL45101		PULLEY POLY-V J8 TK1400	1,00			--
0048		LAFN46940		ARM L.14 CP.	1,00			--
0049		VTDD19688		NUT M6 UNI 7473	1,00			--
0050		MTCG44767		BELT POLY-V J8 864-340	1,00			--
0051		VTVR13165		KEY 5X5X20	1,00			--
0052		VTVT24209		SCREW TCEI 6X12 UNI5931	1,00			--
0053		RTRT00022		HANDWHEEL D.30 M6X15	2,00			--
0054		LAFN47059		BELT-STRETCHER L.14	1,00			--
0055		VTAE00008		SEEGER INTERNO DIN 472 D.26	2,00			--
0056		LAFN47060		SPACER L.14	1,00			--
0057		CUVR86373		BEARING 6000 2RS	2,00			--
0058		MTPL47061		ROLLER L.14	1,00			--
0059		LAFN47062		PIN L.14	1,00			--
0060		VTVT24209		SCREW TCEI 6X12 UNI5931	1,00			--
0061		MLML75961		SPRING D. 16 L.80	1,00			--
0062		VTVT45395		SCREW TBEI M 8X 10 ISO 7380 ZB	2,00			--
0063		VTRS15959		WASHER D. 4X12 UNI 6593	7,00			--
0064		CUVR46942		BALL BEARING 6001-2RS1 -SKF	2,00			--
0065		VTRS86510		WASHER 15X24 UNI6592	1,00			--
0066		VTRS86634		WASHER 6X18X1,5 UNI6593	5,00			--
0067		MEVR00080		FUSE-HOLDER PV610 10A	1,00			--
0068		MEVR00079		FUSE 3.15A 250V 5X20	1,00			--



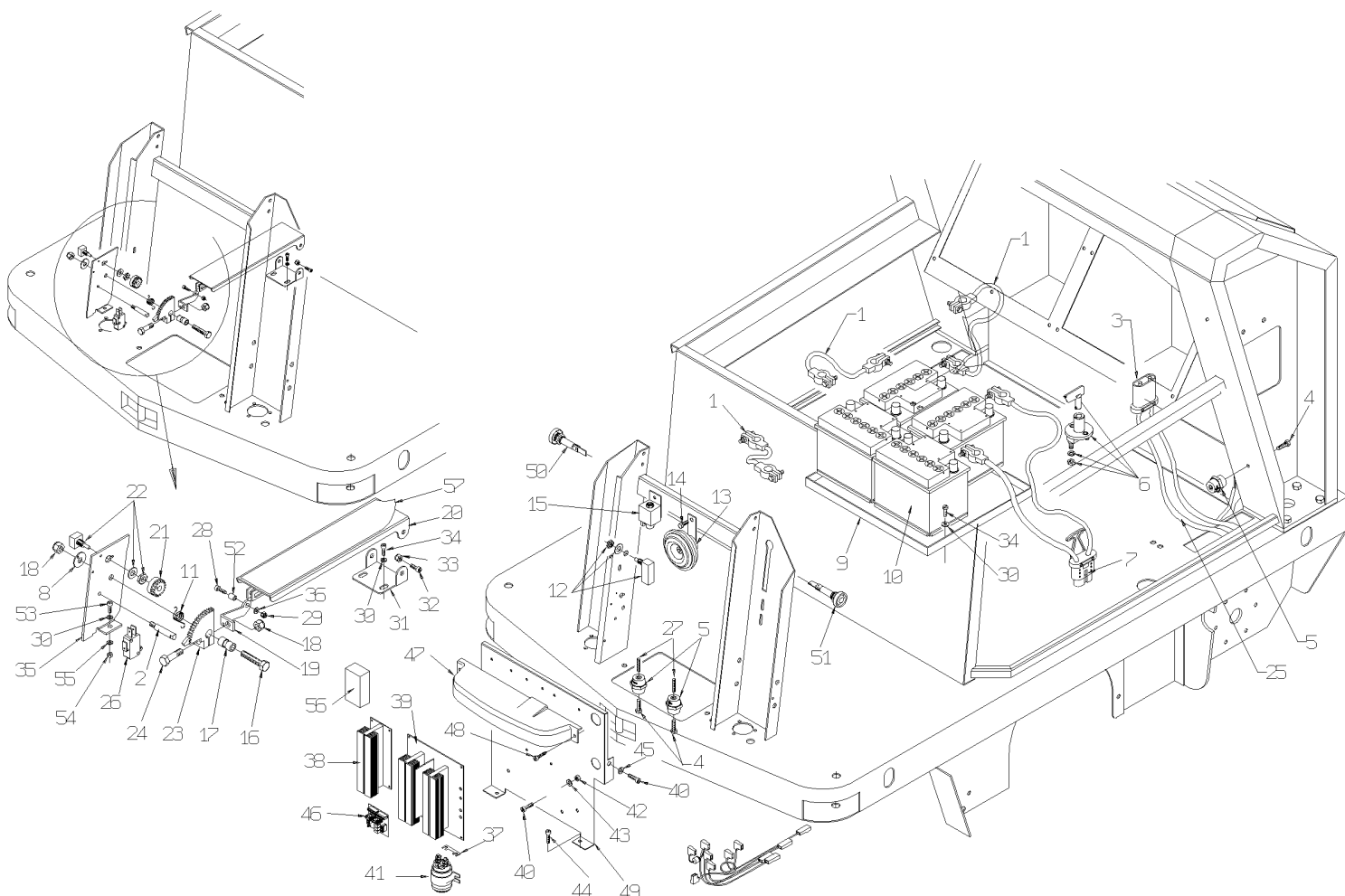
Ref.	K	Part N.	Customer Part N.	Description	Qty	Validity: From To	Price
0001		RDGR44777		MOTOR.GEARBOX AOMP140 24V 90W SX	1,00		--
0002		LAFN47063		MOTOR SUPPORT L.14 DX	1,00		--
0003		VTVT06237		SCREW TCEI 6X20 UNI5931	8,00		--
0004		VTVR33667		KEY 5x 5x25 UNI 6604A	2,00		--
0005		SPPV43844		SIDE-BRUSH D. 500 ST.MD.	2,00		--
0006		VTRS63242		WASHER D. 6 X24 ZC	2,00		--
0007		VTVT75719		SCREW TE F/ROND. M 6 X 10	2,00		--
0008		VTVT62920		SCREW TE F/ROND. M 6X 16 ZB	6,00		--
0009		RDGR44776		MOTOR.GEARBOX AOMP140 24V 90W DX	1,00		--
0010		LAFN47064		MOTOR SUPPORT L.14 SX	1,00		--
0011		VTVR47065		KEY 6X 6X130 UNI 6604	2,00		--
0012		VTVR00009		ELASTIC PLUG DIN 1481 3X20	4,00		--
0013		MLML45102		SPRING TR	2,00		--
0014		MPVR47066		PROTECTOR L.14	2,00		--
0015		VTVT09913		SCREW TCEI 6X16 UNI5931	6,00		--
0016		VTDD00005		NUT UNI 5588 M8 ZB	6,00		--
0017		VTVT00017		SCREW TE UNI 5739 8X35 ZB	2,00		--
0018		LAFN47067		GUIDE L.14 SX	1,00		--
0019		LAFN47070		FLANGE L.14 LT.	2,00		--
0020		VTAE12644		CIRCLIP D. 30 UNI 7435	2,00		--
0021		LAFN47071		GUIDE L.14 DX	1,00		--
0022		VTDD00006		NUT UNI 5588 M10 ZB	4,00		--
0023		VTVR47072		ARTICULATION AS M10	2,00		--
0024		LAFN47073		ARM L.14 DX	1,00		--
0025		MPVR86579		SUPPORT TK	2,00		--
0026		VTDD00004		NUT M 6 ZC UNI5588	2,00		--
0027		MPVR75799		FOOT 20x9 M 6x18	2,00		--
0028		VTRS86634		WASHER 6X18X1,5 UNI6593	4,00		--
0029		VTVT75726		SCREW TBEI M 6X 16 ISO 7380 ZB	4,00		--
0030		VTAE87276		SEGER EXT. D10 DIN471	2,00		--
0031		VTRS00012		WASHER UNI 6592 10X21 ZB	2,00		--
0032		MPVR47074		BUSHING L.14 INT.	2,00		--
0033		MLML47075		SPRING D.15X 24 X1.5	2,00		--
0034		MPVR47076		BUSHING L.14 EXT.	2,00		--
0035		MPVR47077		KNOB L.14	2,00		--
0036		LAFN47078		ARM L.14 SX	1,00		--
0037		LAFN45010		FLANGE L.1400 LT.	2,00		--
0038		VTDD00010		NUT AUTOBLOK DIN 985 M6 BASSO	2,00		--
0039		ALTR00023		ROD ROTAZ.SPAZZ.LAT.G1400zb	2,00		--



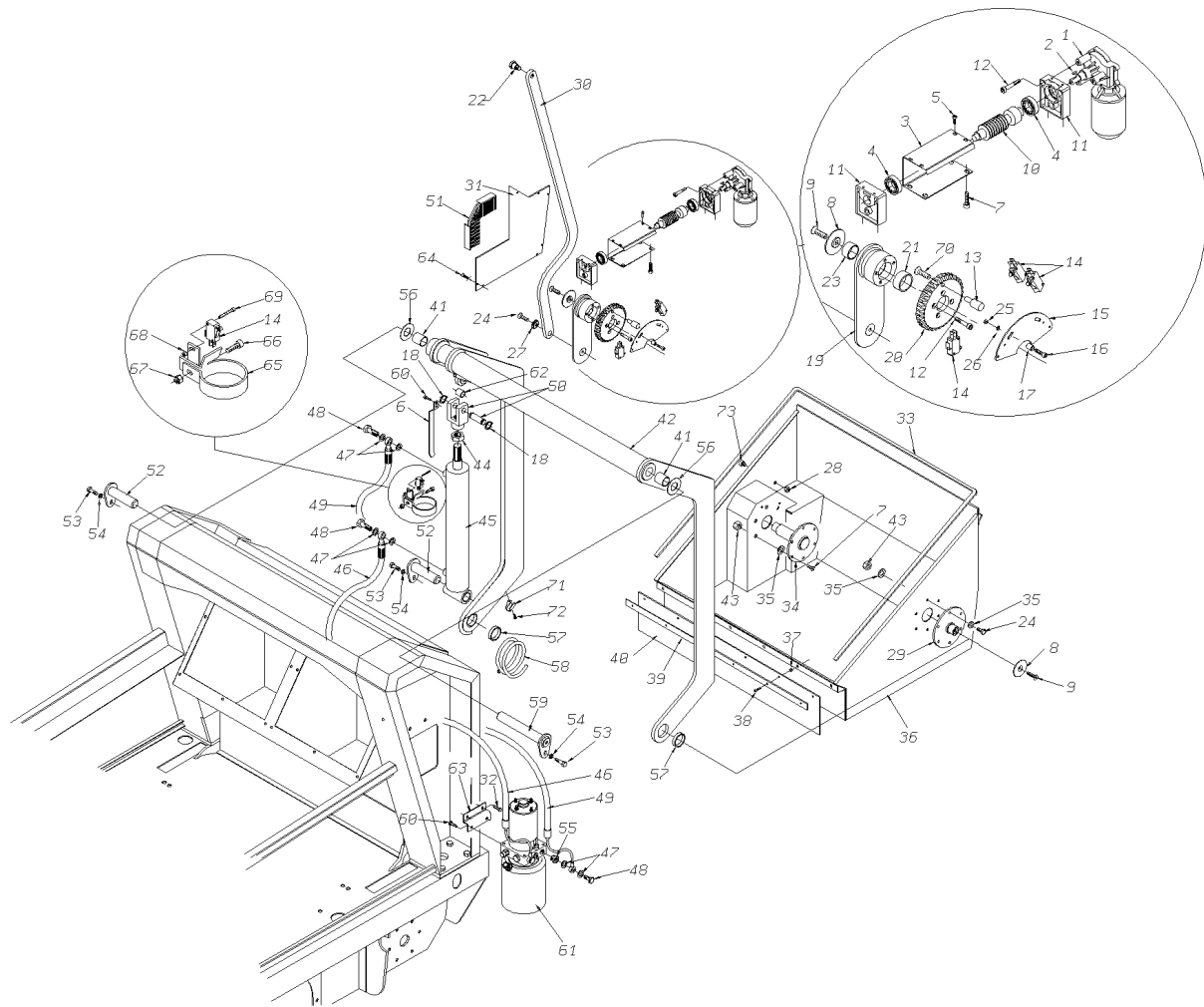
Ref. K	Part N.	Customer Part N.	Description	Qty	Validity:		Price
					From	To	
0040	LAFN47080		SCREW L.14	2,00			--
0041	VTVT00010		SCREW TE UNI 5739 8X40 ZB	2,00			--
0042	VTDD87083		NUT AUTO BLOCK M8 DIN 985 ZB	2,00			--
0043	VTRS87283		WASHER D.8X24X2,5 ZB UNI 6593	4,00			--
0044	VTVT00058		SCREW TCEI M 5X12 ZB U.5931	2,00			--
0045	VTRS00016		WASHER UNI 6593 5X20X1,5 ZB	2,00			--
0046	LAFN47081		SPACER L.14	2,00			--



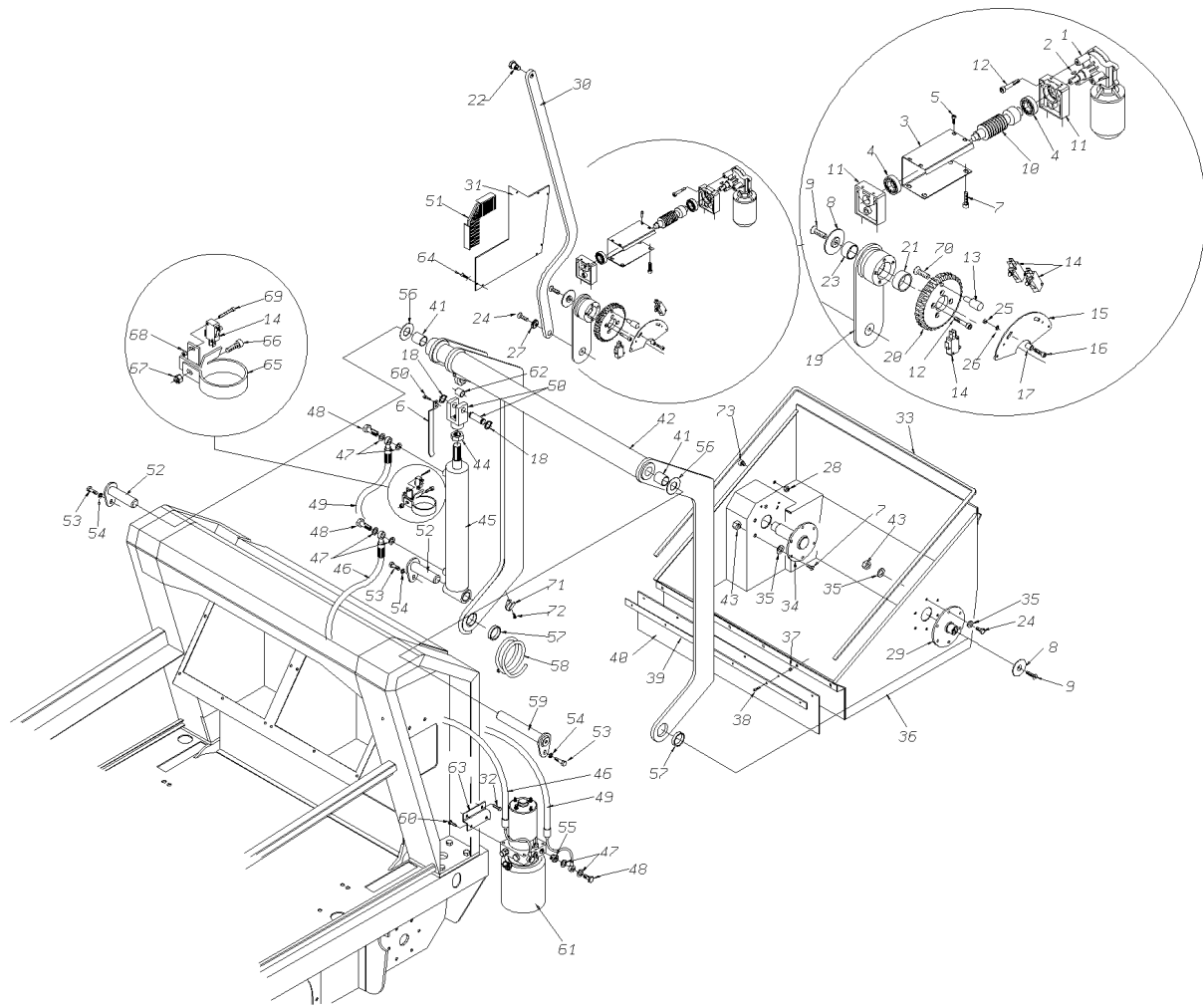
Ref.	K	Part N.	Customer Part N.	Description	Qty	Validity:		Price
						From	To	
0001		MECB44778		CABLE BATT. 1X16 L.1400	3,00			--
0002		LAFN75969		PIN D.9 H.33	1,00			--
0003		MEVR44180		PLUG FT 80	1,00			--
0004		VTVT75719		SCREW TE F/ROND. M 6 X 10	4,00			--
0005		MEVR47082		INSULATOR M6 35-CH32	3,00			--
0006		AZMC75803		DIASSASS.SPANNERSW 1000	1,00			--
0007		MECB44779		WIRING INTERNO BATTERIE	1,00			--
0008		VTRS87283		WASHER D.8X24X2,5 ZB UNI 6593	1,00			--
0009		LAFN46836		BATTERY SUPPORTL.14000 TK	1,00			--
0010		BAAC00005		BATTERY 6 V 180 AH (C5)	4,00			--
0010		BAAC00008		BATTERY 12V 120AH SEMITRAZIONE	2,00			--
0011		MLML85997		SPRING D.2 TK1000	1,00			--
0012		MECI75801		MICROSWITCH TK	2,00			--
0013		MEVR47083		KLAXON L.14 24V	1,00			--
0014		VTVT85116		SCREW TE FR 6,3X19 ZIN	1,00			--
0015		MECE85520		SWITCH RELAY 24V 220W	1,00			--
0016		VTVT00017		SCREW TE UNI 5739 8X35 ZB	1,00			--
0017		LAFN47084		BUSHING L.14	1,00			--
0018		VTDD87083		NUT AUTO BLOCC M8 DIN 985 ZB	2,00			--
0019		LAFN47085		CONNECTING ROD L.14	1,00			--
0020		LAFN47086		PEDALE L.14	1,00			--
0021		MTIG85318		GEAR SW 1000	1,00			--
0022		MEVR47087		POTENTIOMETER L.14	1,00			--
0023		MTIG85317		GEAR SW 1000	1,00			--
0024		VTVT00016		SCREW TE UNI 5739 8X30 ZB	1,00			--
0025		MECB00012		ELECTRI.INSTAL.COMPLETO TK1400	1,00			--
0026		MEVR47087		POTENTIOMETER L.14	1,00			--
0027		VTVT47088		SCREW EI-ST 6X30 UNI5923 ZC	2,00			--
0028		VTVT19236		SCREW TCEI 5X20 UNI 5931	1,00			--
0029		VTDD00003		NUT UNI 5588 M5 ZB	1,00			--
0030		VTRS00011		WASHER UNI 6592 6X12 ZB	6,00			--
0031		LAFN47089		SUPPORT L.14 ACC.	1,00			--
0032		VTVT75725		SCREW TBEI M 6X 10 ISO 7380 ZB	2,00			--
0033		VTDD00010		NUT AUTOBLOK DIN 985 M6 BASSO	2,00			--
0034		VTVT75726		SCREW TBEI M 6X 16 ISO 7380 ZB	6,00			--
0035		LAFN47090		BRACKET SIST.ACC. L.14	1,00			--
0036		VTRS15958		WASHER D. 5 X15 UNI 6593	2,00			--
0037		MEVR00067		FUSE A BARRA 100A	1,00			--
0038		MECE44784		PCB L.1400	1,00			--



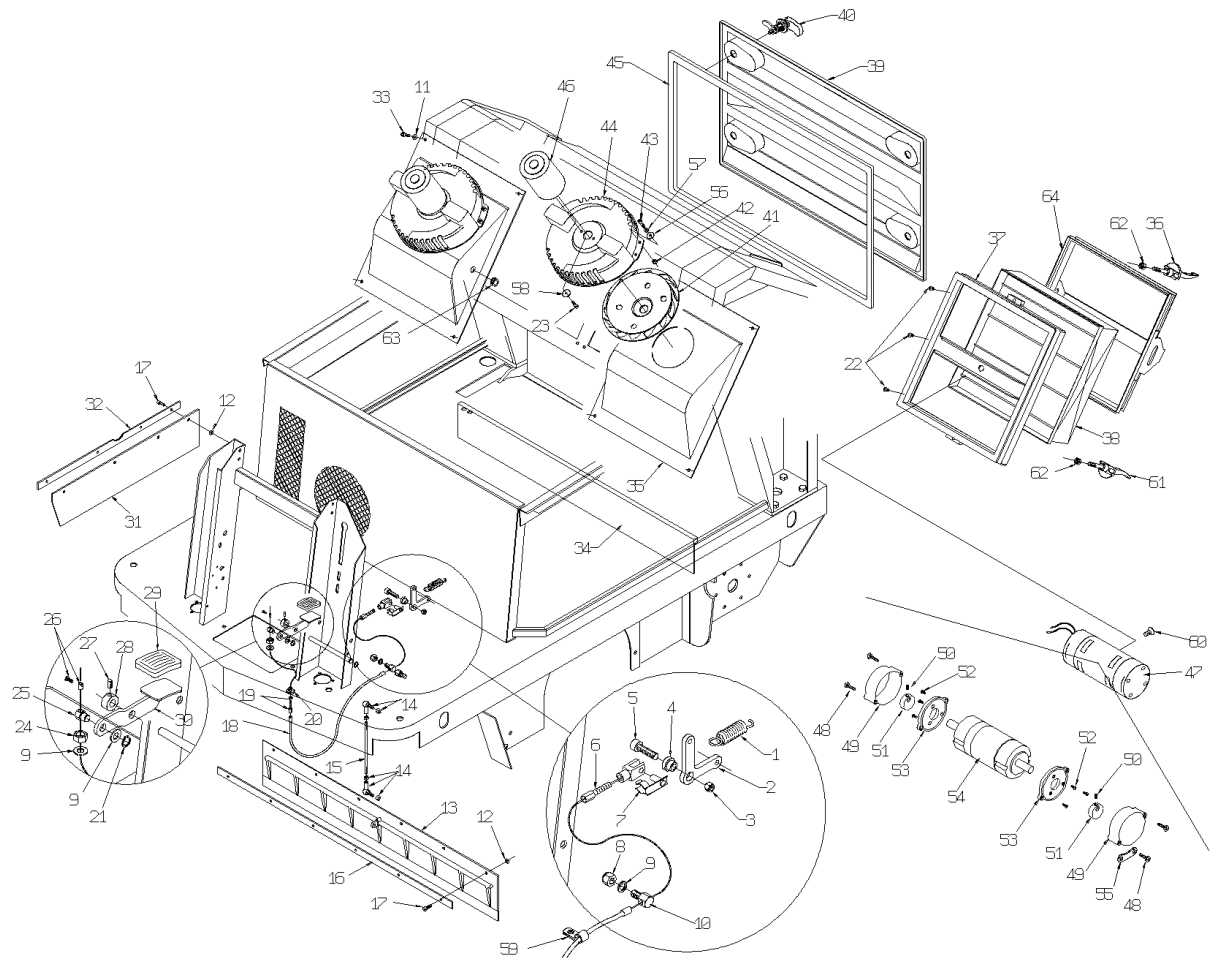
Ref.	K	Part N.	Customer Part N.	Description	Qty	Validity:		Price
						From	To	
0039		MECE00012		PCB POTENZA G1300/1400 COMPL.	1,00			--
0039		MECE44785		PCB L.1400 TRACT.	1,00		01/2003	--
0040		VTVT62920		SCREW TE F/ROND. M 6X 16 ZB	4,00			--
0041		METT45116		CONTACTOR 24V T106 P	1,00			--
0042		VTDD00010		NUT AUTOBLOK DIN 985 M6 BASSO	5,00			--
0043		VTRS63242		WASHER D. 6 X24 ZC	1,00			--
0044		VTVT75719		SCREW TE F/ROND. M 6 X 10	1,00			--
0045		VTRS86634		WASHER 6X18X1,5 UNI6593	1,00			--
0046		MECE45124		PCB RELE' L.1400	1,00			--
0047		MPVR45718		COVER L.14	1,00			--
0048		VTVT00098		SCREW AUTOF.TC UNI 6954 3,9X9,5	6,00			--
0049		LAFN45988		PLATE L.14	1,00			--
0050		MECI00028		BUTTON DI EMERGENZA TK1400 24V	1,00			--
0051		MECI45121		SWITCH D.22 RS.	1,00			--
0052		LAFN47091		BUSHING L.14 ACC.	1,00			--
0053		VTVT62920		SCREW TE F/ROND. M 6X 16 ZB	1,00			--
0054		VTDD00004		NUT M 6 ZC UNI5588	1,00			--
0055		VTRS00011		WASHER UNI 6592 6X12 ZB	1,00			--
0056		MECI00005		RELAY 24V 10/20A	1,00			--
0057		MPVR47092		PLANE L.14	1,00			--



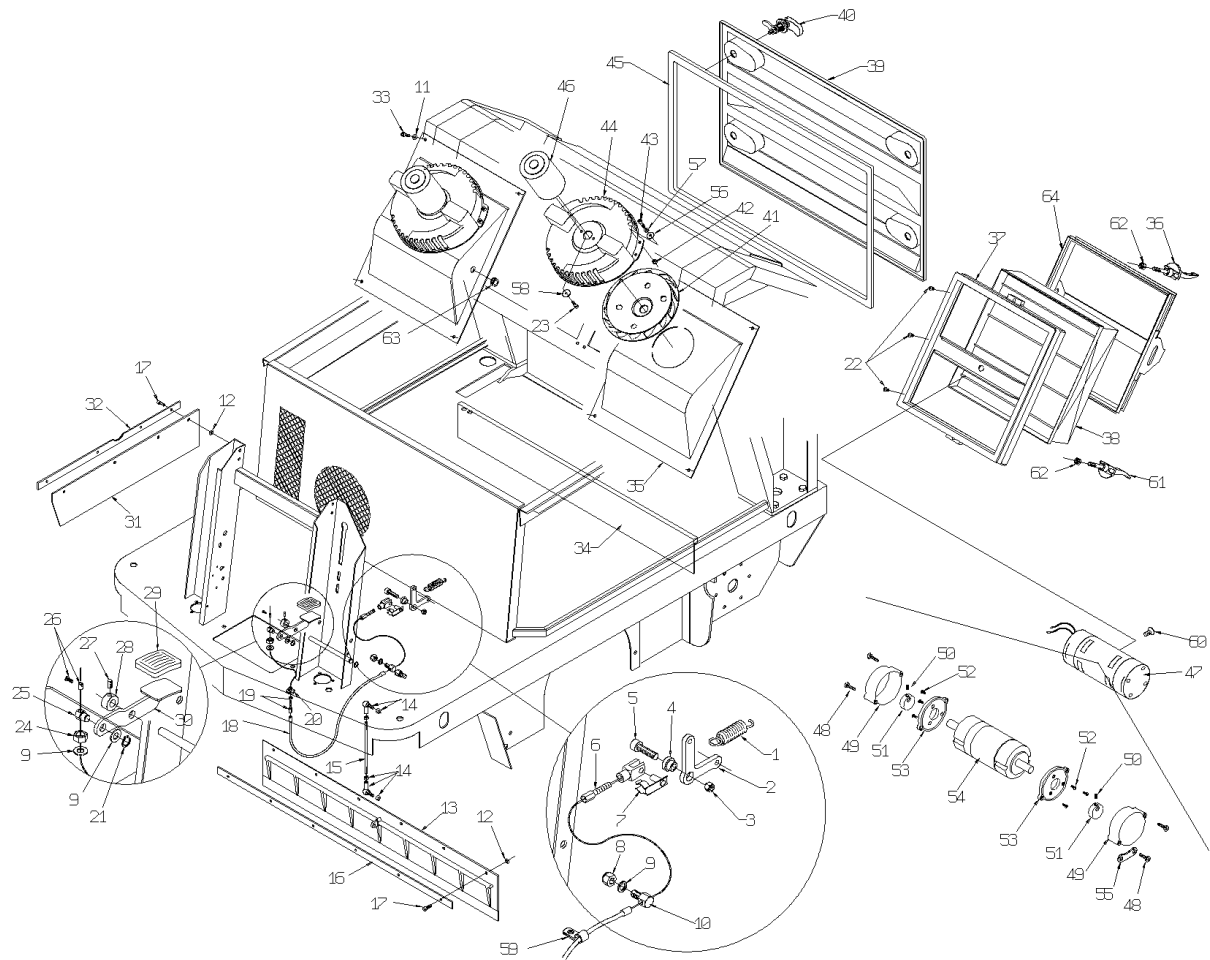
Ref.	K	Part N.	Customer Part N.	Description	Qty	Validity:		Price
						From	To	
0001		RDGR31335		MOTOR.GEARBOX L. 70TE	1,00			--
0002		VTVR75730		KEY UNI 6606 3 X 3,7	1,00			--
0003		LAFN45321		COVER L.14	1,00			--
0004		CUVR75813		BEARING 6002RS	2,00			--
0005		VTVT00098		SCREW AUTOF.TC UNI 6954 3,9X9,5	4,00			--
0006		LAFN47093		ECCENTRIC CAM L.14	1,00			--
0007		VTVT62920		SCREW TE F/ROND. M 6X 16 ZB	10,00			--
0008		LAFN47094		SPACER L.14	2,00			--
0009		VTVT45340		SCREW TSPEI 8X16 UNI5933	2,00			--
0010		MTIG45320		TOOTHED WHEEL L.14	1,00			--
0011		LAFN45319		SUPPORT L.14	2,00			--
0012		VTVT06237		SCREW TCEI 6X20 UNI5931	7,00			--
0013		LAFN45233		PAWL TK1400	1,00			--
0014		MECI44780		MICROSWITCH D2VW-5L2A-1M OMR	4,00			--
0015		LAFN45283		PLATE TK1400	1,00			--
0016		VTVT19236		SCREW TCEI 5X20 UNI 5931	2,00			--
0017		LAFN47095		SPACER D. 6-10 L= 8	2,00			--
0018		VTAE17003		CIRCLIP D. 15 UNI 7435	2,00			--
0019		LAFN47096		CONNECTING ROD L.14 CASS.	1,00			--
0020		MTCR46479		TOOTHED WHEEL L.14 EL.	1,00			--
0021		MPVR47097		BUSHING D. 30X34X15 GLYC.	1,00			--
0022		LAFN47098		PIN L.14 PARALL.	1,00			--
0023		MPVR00006		BUSHING GLYCODUR GLY.PG 25-28-15F	1,00			--
0024		VTVT62920		SCREW TE F/ROND. M 6X 16 ZB	6,00			--
0025		VTDD00017		NUT AUTOBLOK DIN 985 M5	2,00			--
0026		VTRS00010		WASHER UNI 6592 5X10 ZB	4,00			--
0027		LAFN47099		SPACER L.14	1,00			--
0028		VTDD87083		NUT AUTO BLOCK M8 DIN 985 ZB	2,00			--
0029		LAFN47100		PIN L.14 SX	1,00			--
0030		LAFN47101		ARM L.14	1,00			--
0031		LAFN45284		BOX COVER TK1400	1,00			--
0032		VTVT75719		SCREW TE F/ROND. M 6 X 10	2,00			--
0033		GUVR45103		GASKET TK1400	1,00			--
0034		LAFN47102		PIN L.14 DX	1,00			--
0035		VTRS00011		WASHER UNI 6592 6X12 ZB	18,00			--
0036		LAFN47103		DRAWER L.14	1,00			--
0037		VTVR47015		INSERT PLS. D.3	6,00			--
0038		VTVT00106		SCREW AUTOFIL. TC 3,5X14,5	6,00			--
0039		LAFN47104		DUCT LOCK FLAP	1,00			--



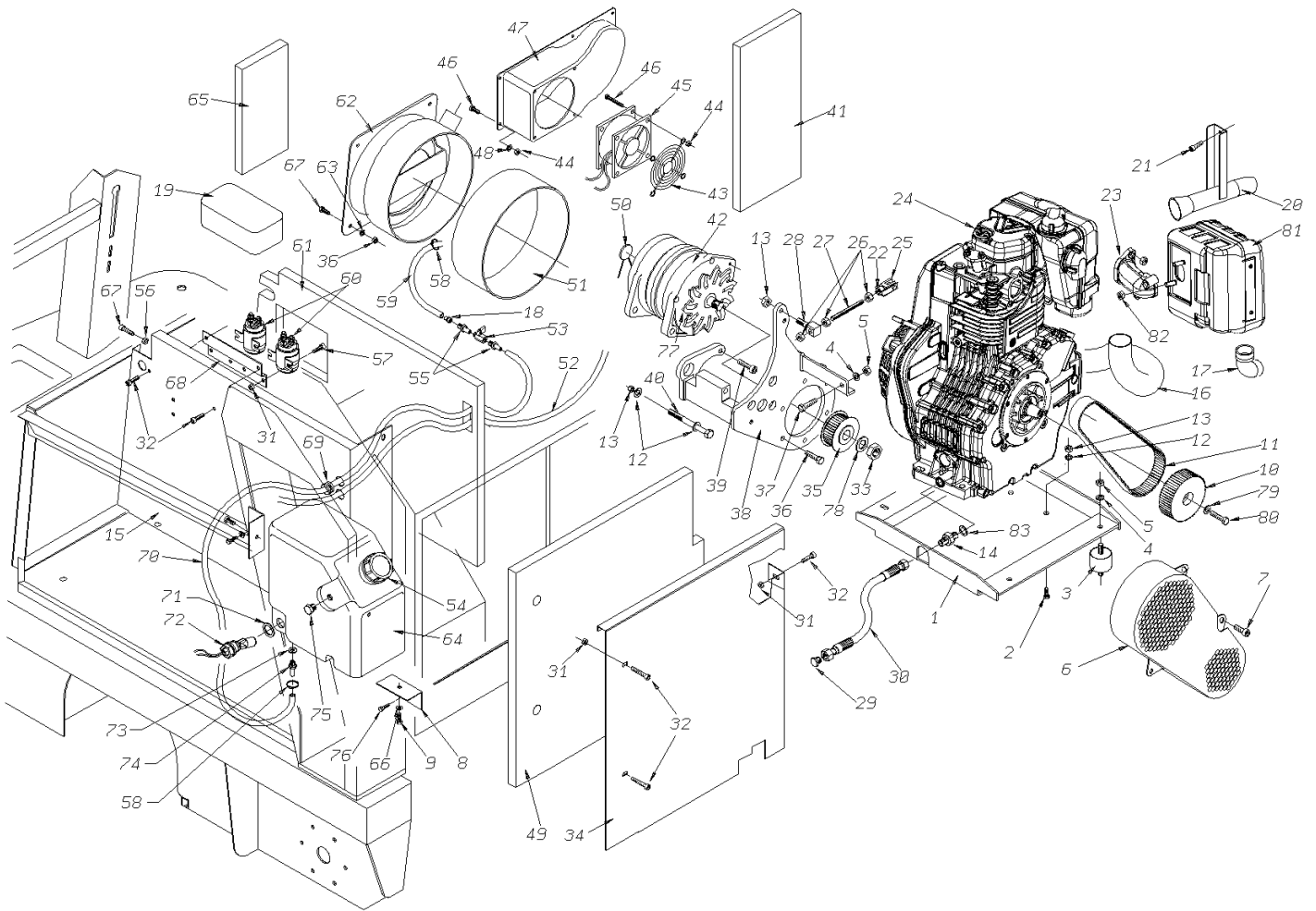
Ref.	K	Part N.	Customer Part N.	Description	Qty	Validity:		Price
						From	To	
0040		MPVR45104		RUBBER FLAP L.1400	1,00			--
0041		MPVR47105		BUSHING D. 25X28X25 GLYC.	2,00			--
0042		LAFN47106		ARM L.14	1,00			--
0043		VTDD00010		NUT AUTOBLOK DIN 985 M6 BASSO	12,00			--
0044		VTDD46131		NUT M20 ZC UNI 5589 PG	1,00			--
0045		PIID45105		PISTON D.50 ST25	1,00			--
0046		TBAP45106		HOSE-FITTING 3/16 L.14	1,00			--
0047		VTRS00037		WASHER IN DAWTY 1/8	8,00			--
0048		RCDS47107		SCREW G 1/8	4,00			--
0049		TBAP45107		HOSE-FITTING 3/16 L.14	1,00			--
0050		CMCV47108		FORK M20 X15 +PN.	1,00			--
0051		LAFN01089		PROTECTION ANTIPOLVERE TK1400	1,00			--
0052		LAFN47110		PIN L.14 DX	2,00			--
0053		VTVT09916		SCREW TBEI M 6X 20 ISO 7380 ZB	3,00			--
0054		VTRS63242		WASHER D. 6 X24 ZC	3,00			--
0055		RCVR00081		REDUCTION X CENTRALINA IDRAUL.1400	2,00			--
0056		VTRS47111		WASHER D.25 X50 X1.5 PVC	2,00			--
0057		LAFN47123		BUSHING L.14	2,00			--
0058		MPVR45285		SHEATH TK1400	1,00			--
0059		LAFN47124		PIN L.14 SX	1,00			--
0060		VTVT17639		SCREW TCEI M 5X10 UNI 5931	4,00			--
0061		PPEL45108		MOTOR-DRIV.PUMPIDR. 24V L.14	1,00			--
0062		MPVR47125		BUSHING D. 16X18X20 GLYC.	1,00			--
0063		LAFN47126		SUPPORT BRACKETL.14	1,00			--
0064		VTVT00099		SCREW AUTOF.TC UNI 6954 3,9X13	4,00			--
0065		LAFN47127		SUPPORT MICRO.L.14	1,00			--
0066		VTVT09916		SCREW TBEI M 6X 20 ISO 7380 ZB	1,00			--
0067		VTDD19688		NUT M6 UNI 7473	1,00			--
0068		VTDD00001		NUT UNI 5588 M3 ZB	6,00			--
0069		VTVT00019		SCREW TE UNI 5739 3X20 ZB	4,00			--
0070		VTVT00062		SCREW TSCE UNI 5933 6X25 ZB	1,00			--
0071		LAFN45717		PLATE L.14	1,00			--
0072		VTVT00089		SCREW TCCE UNI 5931 4X10 ZB	1,00			--
0073		VTVT19472		SCREW TCEI M 8X10 UNI 5931	2,00			--



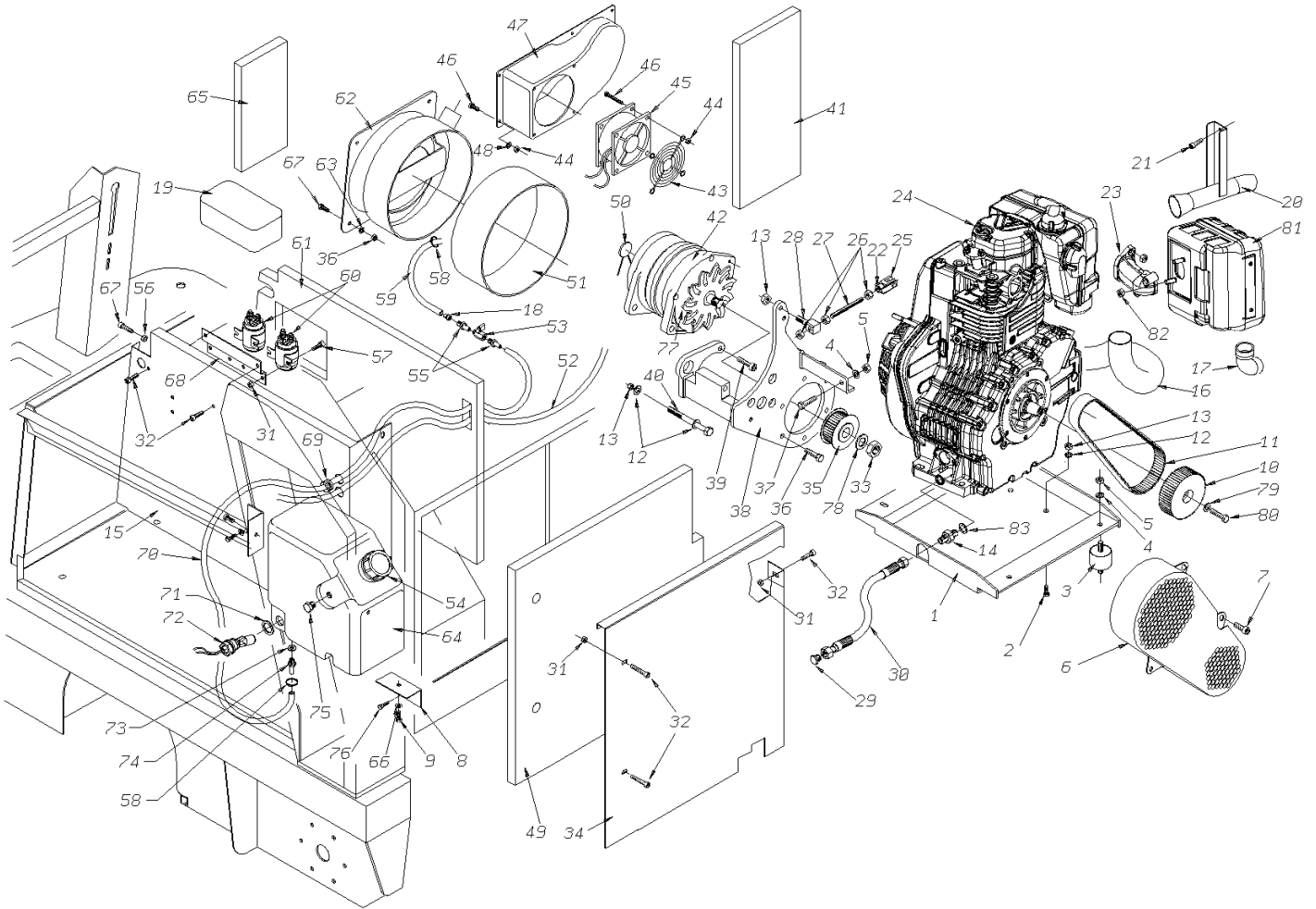
Ref.	K	Part N.	Customer Part N.	Description	Qty	Validity:		Price
						From	To	
0001		MLML45109		SPRING TR D. 12X1.7X79.5	1,00			--
0002		LAFN47128		LEVER L.14	1,00			--
0003		VTDD87083		NUT AUTO BLOCK M8 DIN 985 ZB	1,00			--
0004		LAFN47129		BUSHING L.14 A.FLAP	1,00			--
0005		VTVT00016		SCREW TE UNI 5739 8X30 ZB	1,00			--
0006		CMCV87172		CABLE ALZA FLAP 2125404	1,00			--
0007		CMCV75717		CLIP UNI 1676 M6	3,00			--
0008		VTDD00012		NUT AUTOBLOK DIN 985 M12 ZB	1,00			--
0009		VTRS86510		WASHER 15X24 UNI6592	4,00			--
0010		LAFN75976		SPRING GUIDE TK 1000	1,00			--
0011		VTRS86634		WASHER 6X18X1,5 UNI6593	8,00			--
0012		VTVR47015		INSERT PLS. D.3	10,00			--
0013		MPVR00744		FLAP ANTER.REGOLABILE TK1400	1,00			--
0013		MPVR44781		RUBBER FLAP FRONT G1404-G1400	1,00			--
0014		CMCV76639		FORK M 6 UNI 1676	2,00			--
0015		LAFN47130		PIN L.14 A.FLAP	1,00			--
0016		LAFN47131		SHEET METAL PA.FLAP ANTERIORE	1,00			--
0017		VTVT00106		SCREW AUTOFIL. TC 3,5X14,5	10,00			--
0018		CMCV47132		SHEATH L.14 A.FLAP	1,00			--
0019		CMCV75723		REGISTER D.7	1,00			--
0020		LAFN75975		PIN TK	1,00			--
0021		VTAE14016		CIRCLIP D. 12 UNI 7435	1,00			--
0022		VTVT75732		SCREW TSCE UNI 5933 6 X 16	8,00			--
0023		VTVT14062		SCREW TE 5X16 UNI5739	4,00			--
0024		VTDD00007		NUT UNI 5588 M12 ZB	1,00			--
0025		LAFN75973		PIN FLAP TK	1,00			--
0026		CMCV47134		CLAMP VL D.7 A.C7035	1,00		04/2003	--
0026		VTVR00028		CLAMP PER CASSETTO G1300	1,00	04/2003		--
0027		VTVT75731		SCREW UNI 5923 6 X5	4,00			--
0028		LAFN47030		BUSHING L.14	1,00			--
0029		MPVR45096		RUBBER V 1201 GR.	1,00			--
0030		LAFN47133		PEDALE L.14 FLAP	1,00			--
0031		MPVR44782		RUBBER L.1400 DX-SX	1,00			--
0032		LAFN47046		HOSE CLIP L.14 LT.	1,00			--
0033		VTVT09916		SCREW TBEI M 6X 20 ISO 7380 ZB	8,00			--
0034		MPVR45327		RUBBER L.1400 PST	1,00			--
0035		MPVR47135		PANEL L.14 VT.	2,00			--
0036		PMVR00217		HANDLE BLOCCAGGIO FILTRO TK1400	2,00			--
0037		LAFN47137		FRAME PORTA FILTRO	2,00			--



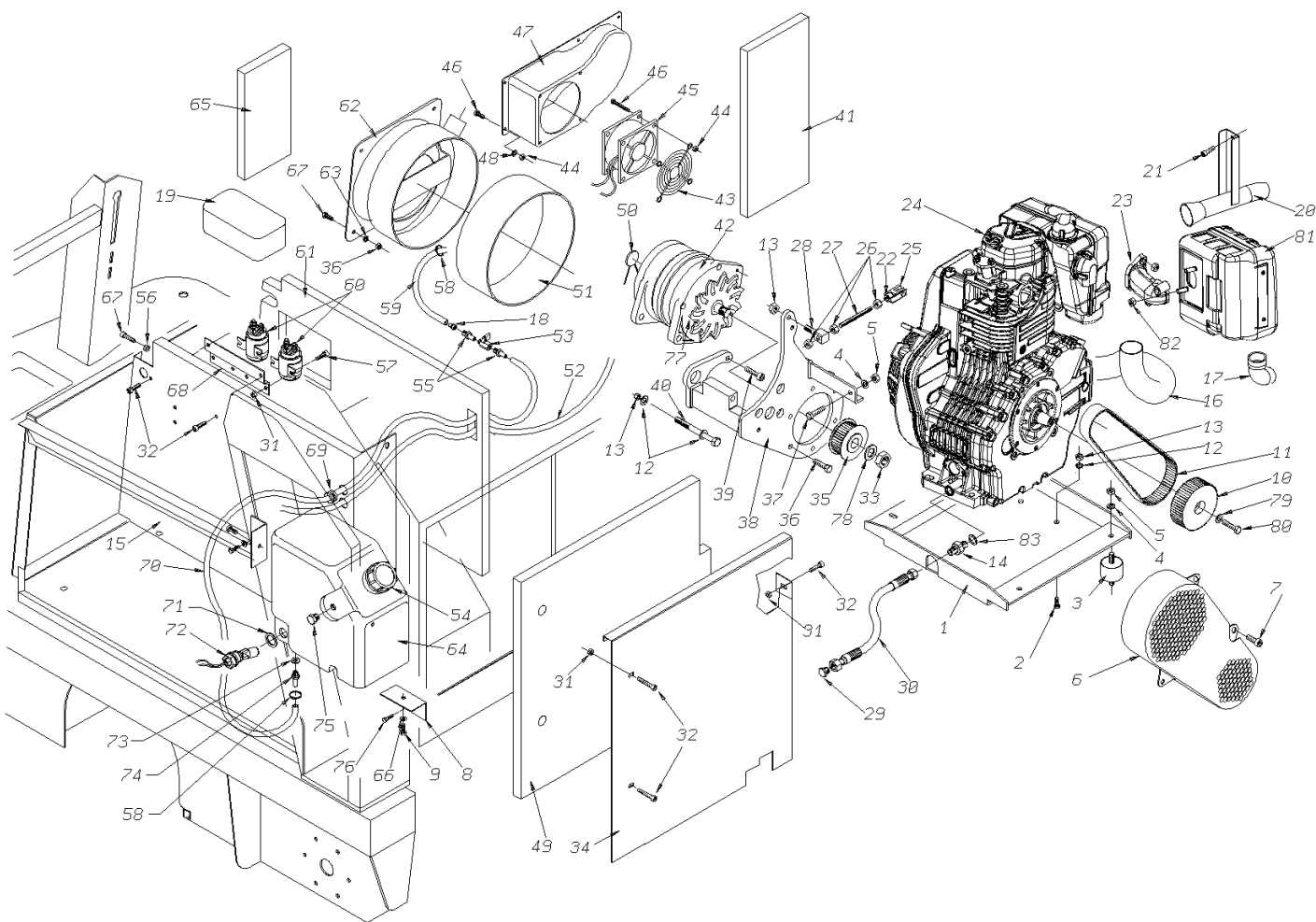
Ref.	K	Part N.	Customer Part N.	Description	Qty	Validity:		Price
						From	To	
0038		FTDP43838		FILTER L.14000 CAR.	2,00		07/2003	--
0038		FTDP48536		FILTER L.14000 CAR. 2V.	2,00	07/2003		--
0039		MPVR45784		COVER CHIUSURA FILTRO	1,00			--
0040		KTRI00025		LOCK TEK COMPLETA	4,00			--
0041		VEVR26677		IMPELLER D.200 L.50HE	2,00			--
0042		VTDD00010		NUT AUTOBLOK DIN 985 M6 BASSO	8,00			--
0043		VTVT09916		SCREW TBEI M 6X 20 ISO 7380 ZB	8,00			--
0044		MPVR44865		CRANKCASE L.14000	2,00			--
0045		GUVR46899		GASKET COPERCHIO	1,00			--
0046		MOCC45111		MOTOR D.77 24V	2,00			--
0047		PMQE00001		MOTOR SCUOTIF.ELETTR.COMPL. 24V	2,00			--
0048		VTVT47138		SCREW TSP-TC 3,9X32 ZC. UNI6955	8,00			--
0049		LAFN47139		MOTOR COVER L.14 FILT.	4,00			--
0050		VTVT75731		SCREW UNI 5923 6 X5	4,00			--
0051		LAFN47140		BUSHING L.14	4,00			--
0052		VTVT76616		SCREW M 4x18 STEAM GUN	12,00			--
0053		MFVR47141		FLANGE MOTOR L.14	4,00			--
0054		MOCC00004		MOTOR D.63 24V G3800 W35	2,00			--
0055		MPVR00765		RUBBER FISSAGGIO FILO SCUOTIFIL.	2,00			--
0056		VTRS86634		WASHER 6X18X1,5 UNI6593	8,00			--
0057		VTRS00011		WASHER UNI 6592 6X12 ZB	8,00			--
0058		VTRS00016		WASHER UNI 6593 5X20X1,5 ZB	4,00			--
0059		FSVR00005		CLAMP TIPO "ECO"FORO MM8 D.1 W0	1,00			--
0060		VTVT47143		SCREW TSPEI M 10X 16 ZC UNI5933	2,00			--
0061		PMVR00217		HANDLE BLOCCAGGIO FILTRO TK1400	2,00	07/2003		--
0061		PMVR00220		HANDLE BLOCC.FILTRO COMPL.TK1400	2,00		07/2003	--
0062		VTDD13261		NUT M 8X1 UNI 5589	4,00			--
0063		MEVR00119		RUBBER PASSACAVO 15X8X10	2,00			--
0064		LAFN01031		FRAME FISSA FILTRO	2,00	07/2003		--



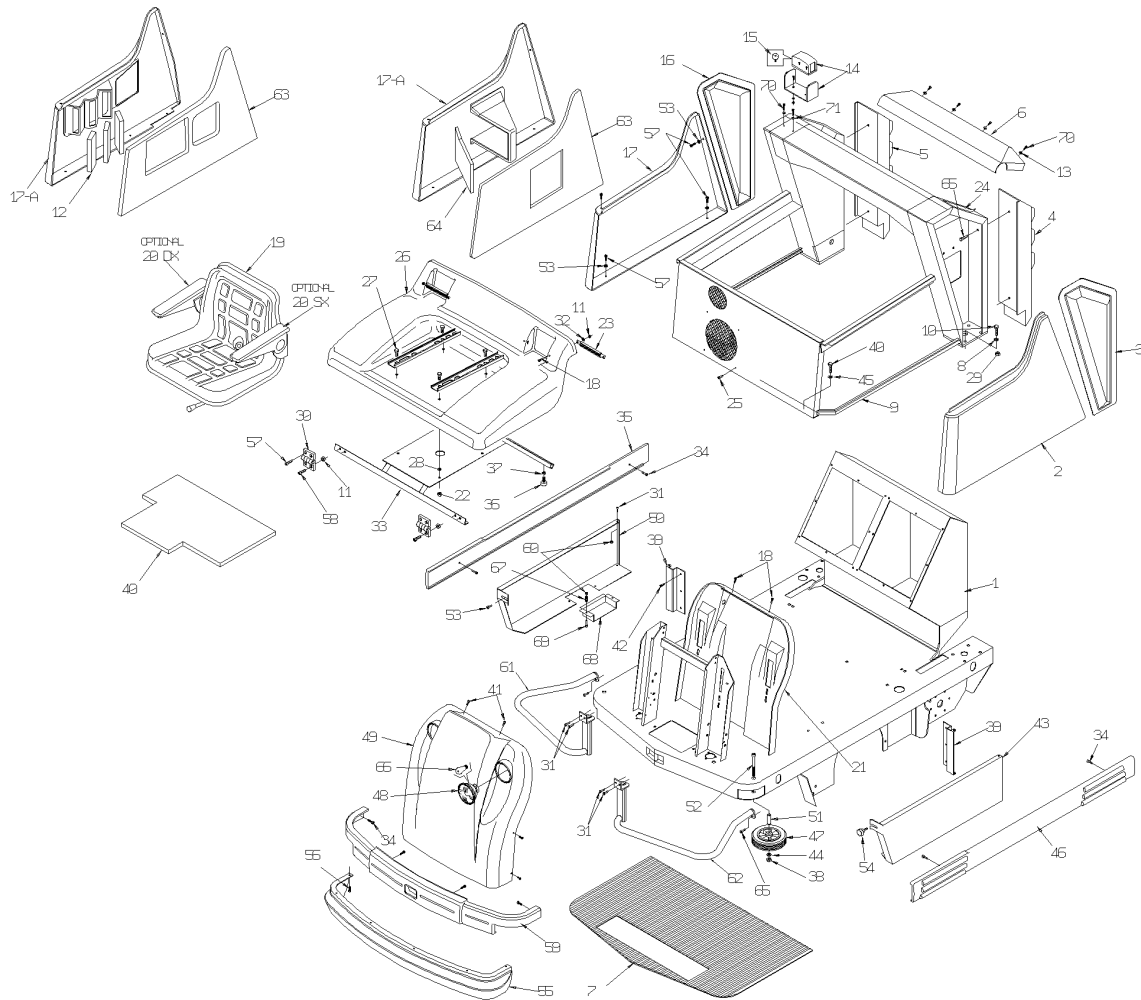
Ref.	K	Part N.	Customer Part N.	Description	Qty	Validity:		Price
						From	To	
0001		LAFN00759		PLATE SUPP.MOT.DIESEL 1400 ZN	1,00			--
0002		VTVT00067		SCREW TSCE UNI5933 10X40 A.10.9	4,00			--
0003		ABGO00009		VIBRATION DAMP.MM 40X30 8MAX25	4,00			--
0004		VTRS76640		WASHER 8 X 17	4,00			--
0005		VTDD87083		NUT AUTO BLOCK M8 DIN 985 ZB	4,00			--
0006		MPVR48957		CRANKCASE G.14 D.	1,00			--
0007		VTVT63128		SCREW FE/FR M8X10	3,00			--
0008		LAFN47171		BRACKET L.14 TANK.	2,00			--
0009		VTVT17639		SCREW TCEI M 5X10 UNI 5931	2,00			--
0010		MTPL00021		PULLEY MOT.DIESEL Z60 RPP5 25	1,00			--
0011		MTCG87403		BELT DENTATA DYCO ISORAN	1,00			--
0012		VTRS00012		WASHER UNI 6592 10X21 ZB	4,00			--
0013		VTDD00011		NUT AUTOBLOK DIN 985 M10	4,00			--
0014		RCVR00036		CONNECTOR NIPPLES 1/4"	1,00			--
0015		LAFN00758		SHEET METAL PA.DIVIS.VANO MOT.DIES.1400	1,00			--
0016		TBBP00029		TUBE GOMMA X CONV.ARIA DIESEL	1,00			--
0017		LAFN87627		TUBE TERMIN.SCARICO 1400 DIES.	1,00			--
0018		RCVR00019		SLEEVE 1/8"	1,00			--
0019		MPVR47166		PROTECTION L.14 TLR.	1,00			--
0020		MRSC00007		MANIFOLD SCARICO X DIESEL 1400	1,00			--
0021		VTVT00093		SCREW TBCE ISO 7380 6X12 ZB	2,00			--
0022		CMCV00001		FORK UNI 1676 M8X16	1,00			--
0023		MRSC00006		MANIFOLD SCARICO LOMBARDINI 1400	1,00			--
0024		MEQE00001		MOTOR DIESEL LOMBARDINI K3A5232	1,00			--
0025		CMCV75718		CLIP UNI 1676 M8	1,00			--
0026		VTDD00005		NUT UNI 5588 M8 ZB	3,00			--
0027		LAFN00760		ROD FILETT.TENDIC.ALTERN.DIES	1,00			--
0028		LAFN00022		SCREW X TIRANTE ALTERNAT.DIESEL	1,00			--
0029		RCDS00002		CAP 1/4"	1,00			--
0030		TBBP47172		L.P. HOSE L=300 1/4F -1/4F 0°	1,00			--
0031		VTDD00010		NUT AUTOBLOK DIN 985 M6 BASSO	1,00			--
0032		VTVT62920		SCREW TE F/ROND. M 6X 16 ZB	3,00			--
0033		LAFN00271		NUT FISSA PULEGGIA ALTERNA.	1,00			--
0034		LAFN00906		CARRYNG BAG	1,00			--
0035		MTPL45322		PULLEY HTD 40-5M 25 6F TK14	1,00			--
0036		VTVT00015		SCREW TE UNI 5739 8X25 ZB	6,00			--
0037		VTVT00014		SCREW TE UNI 5739 8X20 CL.10.9	1,00			--
0038		LAFN00786		PLATE X ALTERNAT.DIESEL 1400	1,00			--
0039		VTVT00077		SCREW TCCE UNI 5931 10X35 ZB	1,00			--



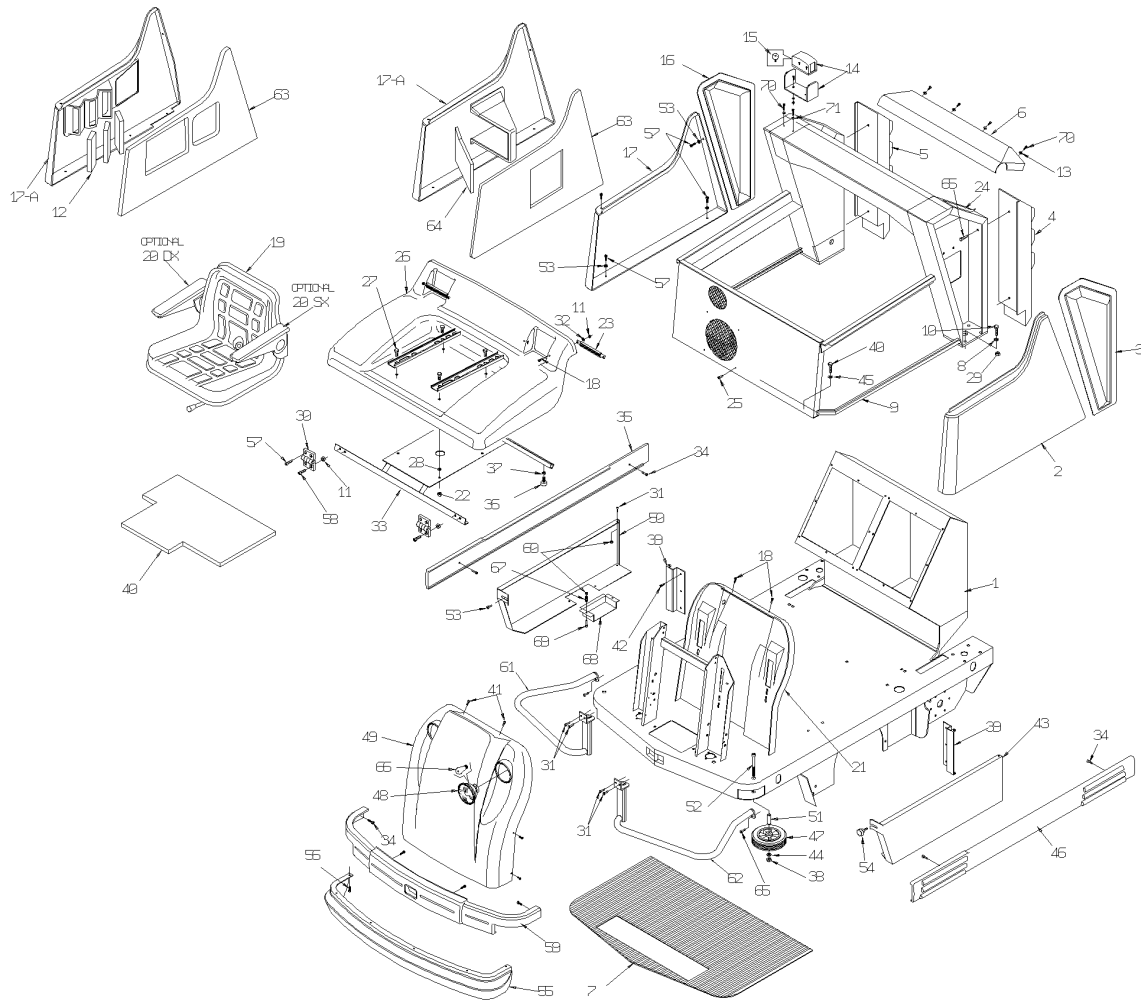
Ref.	K	Part N.	Customer Part N.	Description	Qty	Validity:		Price
						From	To	
0040		VTVT00069		SCREW TE UNI 5739 10X130 ZB	1,00			--
0041		ITTE00006		PANEL FONOASS.FRONT.DX DIESEL	1,00			--
0042		ARGN45114		ALTERNATOR 80 A 28V	1,00			--
0043		LAFN00009		BRACKET PROTEZIONE	1,00			--
0044		VTDD00009		NUT AUTOBLOK DIN 985 M4 BASSO	4,00			--
0045		VEVR45113		VENTILATOR 24V RF.	1,00			--
0046		VTVT72043		SCREW M 4 X16 TC UNI7687	4,00			--
0047		MPVR00283		CONVEYOR VENT.MOTORE DIESEL 1400	1,00			--
0048		VTRS05904		WASHER D. 4 X16 2.083	4,00			--
0049		ITSO00002		PANEL FONOASS.LATO VENT.DIESEL	1,00			--
0050		METK47170		PROBE F11-140° NC	1,00			--
0051		GUGO00034		GASKET CONV.ARIA X MOT.DIESEL	1,00			--
0053		RCGR00008		VALVE A SFERA MF 1/8"	1,00			--
0054		MPVR47165		TANK CAP C/VALV.	1,00			--
0055		RCVR00004		CONNECTOR PORTAGOMMA 1/8" D.7	2,00			--
0056		VTDD19688		NUT M6 UNI 7473	1,00			--
0057		VTVT75725		SCREW TBEI M 6X 10 ISO 7380 ZB	2,00			--
0058		FSVR19692		CLAMP D. 11-16 VT	6,00			--
0060		METT45116		CONTACTOR 24V T106 P	2,00			--
0061		ITSO00005		PANEL FONOASS.VANO MOT.DIESEL	1,00			--
0062		MPVR00257		CONVEYOR ARIA MOTORE DIESEL TK1400	1,00			--
0063		VTRS00011		WASHER UNI 6592 6X12 ZB	1,00			--
0064		MPVR00280		TANK CARBURANTE TK1400 DIESEL	1,00			--
0065		ITSO00001		PANEL FONOASS.FRON.LATO SX 1400	1,00			--
0066		VTRS15958		WASHER D. 5 X15 UNI 6593	2,00			--
0067		VTVT75726		SCREW TBEI M 6X 16 ISO 7380 ZB	4,00			--
0068		LAFN47167		BRACKET L.14	1,00			--
0069		MEVR00094		FAIR-LEAD EGP15-20S.60 PAS1	3,00			--
0071		GUGO00033		GASKET SENSORE BENZINA TK1400	2,00			--
0072		MEVR00090		CARRYNG BAG	1,00			--
0073		GUVR47174		GASKET L.14	2,00			--
0074		LAFN01091		HOSE FITTING SERBATOIO CARBURANTE 1400	1,00			--
0075		RCDS00002		CAP 1/4"	1,00			--
0076		VTVT75719		SCREW TE F/ROND. M 6 X 10	2,00			--
0077		VEVR47160		IMPELLER ALTER. A.OR.	1,00			--
0078		LAFN00025		WASHER PULEGGIA ALTERNAT.TK1400	1,00			--
0079		LAFN00276		SPACER X PULEGGIA DIESEL	1,00			--
0080		LAFN00026		SCREW TE 8X28	1,00			--
0081		MRSC00008		SILENCER	1,00			--



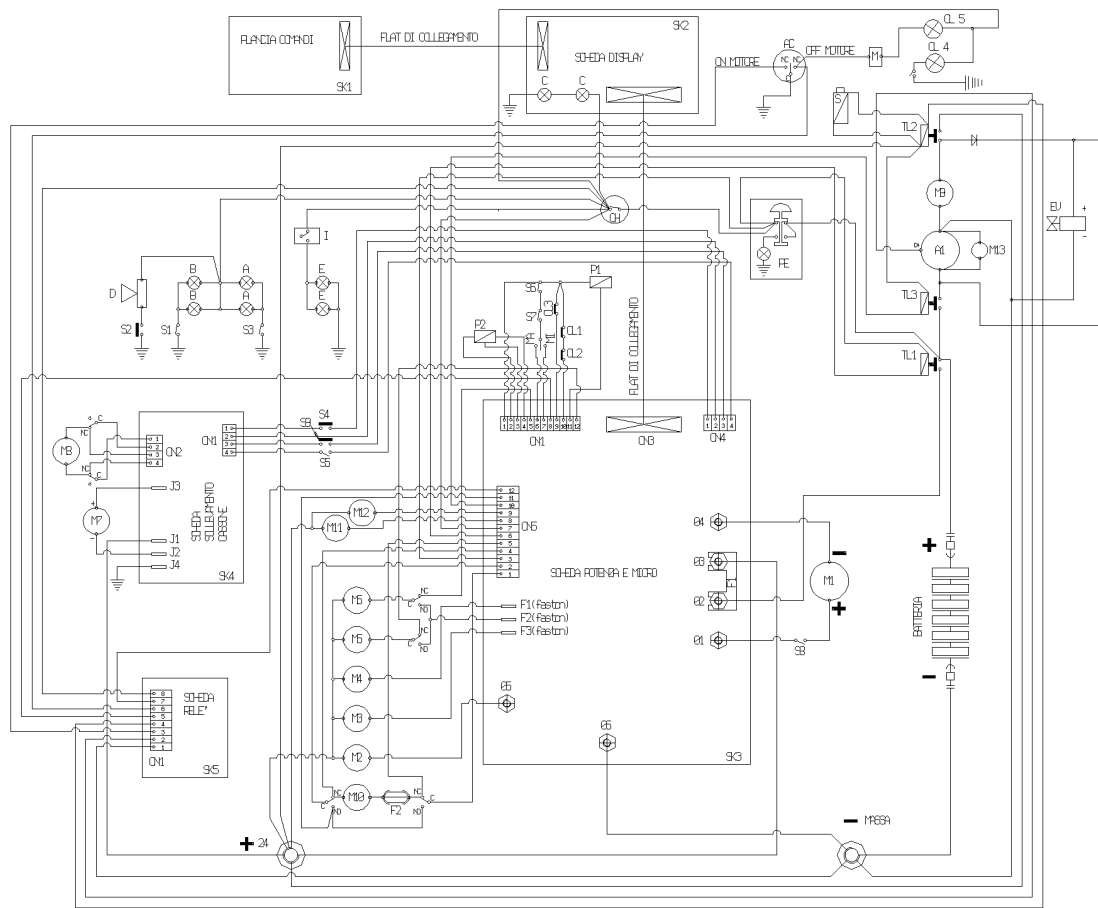
Ref. K	Part N.	Customer Part N.	Description	Qty	Validity:		Price
					From	To	
0082	LAFN00277		NUT M8 FISSAG.COLLETT.DIESEL	2,00			--
0083	GUVR00018		GASKET X NIPLESS MOTORE DIESEL	1,00			--



Ref.	K	Part N.	Customer Part N.	Description	Qty	Validity:		Price
						From	To	
0001		LAFN45969		BODY LION 14000	1,00			--
0002		PMLA00003		BODY SIDE LAT.SX COMPL.TK1400 GRIG.	1,00			--
0003		MPVR00234		UPRIGHT SPALLA SX	1,00			--
0004		MPVR00229		BUMPER POSTERIORE SX TK1400	1,00			--
0005		MPVR00227		BUMPER POSTERIORE DX TK1400	1,00			--
0006		PMLA00005		CRANKCASE SUPERIORE VENTIL.TK1400	1,00			--
0007		MPVR45975		PLANE L.14	1,00			--
0008		VTRS00012		WASHER UNI 6592 10X21 ZB	8,00			--
0009		LAFN45976		SUPPORT L.14	1,00			--
0010		VTVT01535		SCREW TCEI M10X 40 UNI 5931 ZB	8,00			--
0011		VTDD00010		NUT AUTOBLOK DIN 985 M6 BASSO	6,00			--
0012		ITSO00003		PANEL FONOASS.DEFL.PICC.DIESEL	3,00			--
0013		VTRS00027		WASHER DENTATA UNI 8841 D.6	4,00			--
0014		KTRI00103		LAMP FLASH 24V ORANGE	2,00			--
0015		MELF33431		LAMP 24 V 21 W	2,00			--
0016		MPVR00235		UPRIGHT SPALLA DX	1,00			--
0018		VTVT75726		SCREW TBEI M 6X 16 ISO 7380 ZB	6,00			--
0019		SESD45981		SEAT SC 73 L.14	1,00			--
0020		SESD00001		KIT BRACCIOLO DX	1,00			--
0020		SESD00002		KIT BRACCIOLO SX	1,00			--
0021		MPVR00231		CRANKCASE FRONTALE INT.TK1400+TASCA	1,00			--
0022		VTDD87083		NUT AUTO BLOCK M8 DIN 985 ZB	4,00			--
0023		KTRI01632		HANDLE COFANO PORTASEDILE	2,00	04/2005		--
0023		PMVR00145		HANDLE CASSETTO ANT.SILVER COMPL	2,00		04/2005	--
0024		ETET00103		LABEL ADESIVA "DIESEL"	1,00			--
0025		VTVT09916		SCREW TBEI M 6X 20 ISO 7380 ZB	8,00			--
0026		MPVR00258		HOOD SUPERIORE 1400 GR.XDIESEL	1,00			--
0027		VTVT00015		SCREW TE UNI 5739 8X25 ZB	4,00			--
0028		VTRS87283		WASHER D.8X24X2,5 ZB UNI 6593	8,00			--
0029		VTDD00011		NUT AUTOBLOK DIN 985 M10	8,00			--
0030		CEVR85332		HINGE MEB F D.6 TK	2,00			--
0031		VTVT62920		SCREW TE F/ROND. M 6X 16 ZB	9,00			--
0032		VTRS00011		WASHER UNI 6592 6X12 ZB	8,00			--
0033		LAFN01018		FRAME PORTASED.TK1400 DIESEL ZN	1,00			--
0034		VTVT00074		SCREW TCCE UNI 5931 8X16 ZB	4,00			--
0035		MPVR00225		BUMPER LATERALE DX TK1400	1,00			--
0036		ABGO00008		VIBRATION DAMP.PM 20X20 M6X20	2,00			--
0037		VTDD00004		NUT M 6 ZC UNI5588	2,00			--
0038		VTDD00011		NUT AUTOBLOK DIN 985 M10	2,00			--

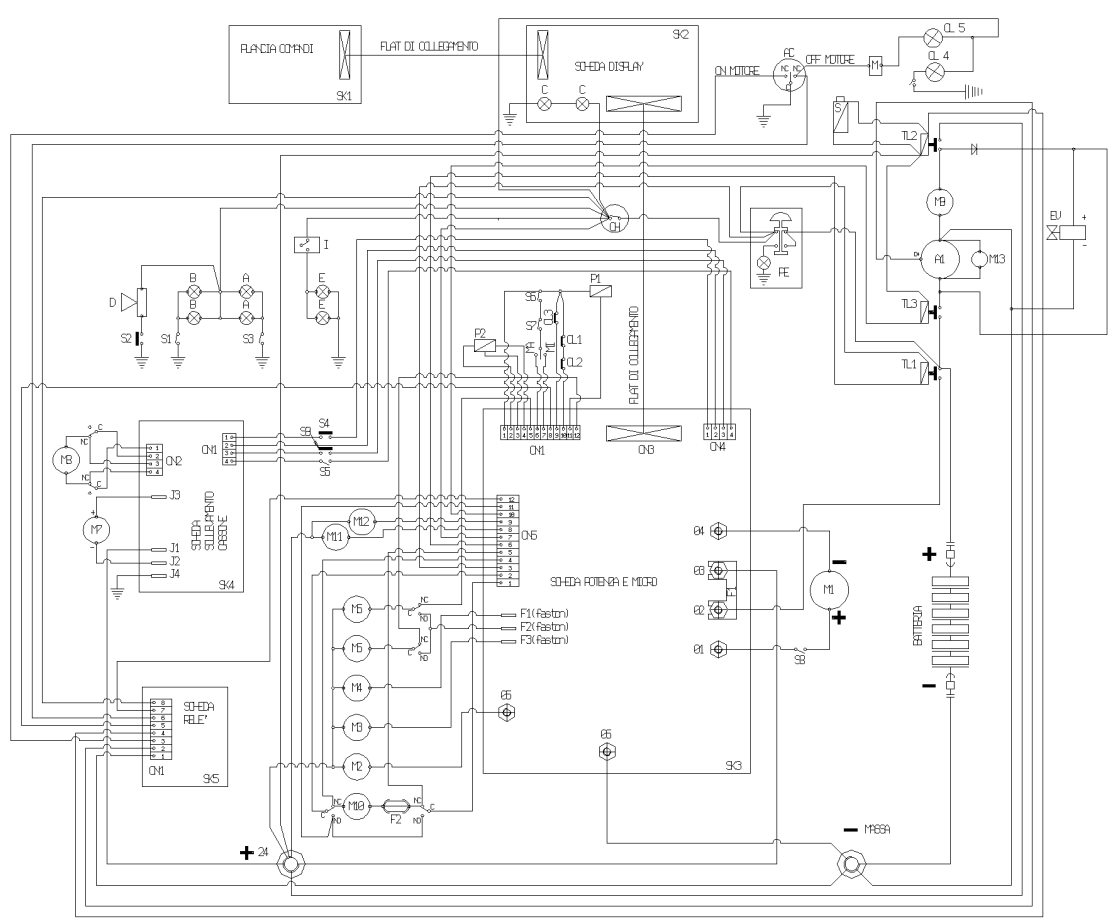


Ref.	K	Part N.	Customer Part N.	Description	Qty	Validity:		Price
						From	To	
0039		CEVR45986		HINGE L.14	2,00			--
0040		ITSO00006		PANEL FONOASS.SOTTOSED.DIESEL	1,00			--
0041		VTVT75726		SCREW TBEI M 6X 16 ISO 7380 ZB	4,00			--
0042		VTVT75719		SCREW TE F/ROND. M 6 X 10	6,00			--
0043		LAFN00724		PLANE LATERALE SX	1,00			--
0044		VTRS00012		WASHER UNI 6592 10X21 ZB	2,00			--
0045		VTRS86634		WASHER 6X18X1,5 UNI6593	4,00			--
0046		MPVR00226		BUMPER LATERALE SX 1400	1,00			--
0047		RTRT47010		WHEEL D.150-D.15 X45 L.14	2,00			--
0048		MEVR00135		LANTERN G1400	2,00			--
0049		MPVR49249		COVER G 1400 ANT.	1,00			--
0050		LAFN00723		PLANE LATERALE DX	1,00			--
0051		LAFN47011		BUSHING L.14	2,00			--
0052		VTVT04857		SCREW TCEI M 10X70 UNI 5931	2,00			--
0053		VTVT62920		SCREW TE F/ROND. M 6X 16 ZB	1,00			--
0054		RTRT00022		HANDWHEEL D.30 M6X15	1,00			--
0055		MPVR00240		CRANKCASE SPOILER ANTERIORE	1,00			--
0056		VTVT00100		SCREW AUTOF.TC UNI 6954 3,9X16	6,00			--
0057		VTVT06237		SCREW TCEI 6X20 UNI5931	12,00			--
0058		VTVT12255		SCREW TCEI 6X25 UNI5931	4,00			--
0059		MPVR87170		BUMPER GRIGIO CPL 21201056	1,00			--
0060		VTDD00010		NUT AUTOBLOK DIN 985 M6 BASSO	6,00			--
0061		LAFN01102		BUMPER ANTERIORE DX	1,00			--
0062		LAFN01103		BUMPER ANTERIORE SX	1,00			--
0063		ITTE00005		PANEL FONOASS.FIAN.LAT.DX DIES.	1,00			--
0064		ITTE00004		PANEL TERMORIFL.CONVOGL.1400	1,00			--
0065		VTVT63129		SCREW TE F/ROND. M 8X16 ZB	6,00			--
0066		MELF87169		LAMP 12V 35W	1,00			--
0067		MLML46644		SPRING D. 6	2,00			--
0068		LAFN46645		PROTECTION L.14 DX	1,00			--
0069		VTVT63029		SCREW TCEI M 6X 35 UNI 5931 ZB	2,00			--
0070		VTVT00106		SCREW AUTOFIL. TC 3,5X14,5	4,00			--
017A		PMLA00012		BODY SIDE LAT.DX COMP.1400 DIESEL	1,00			--



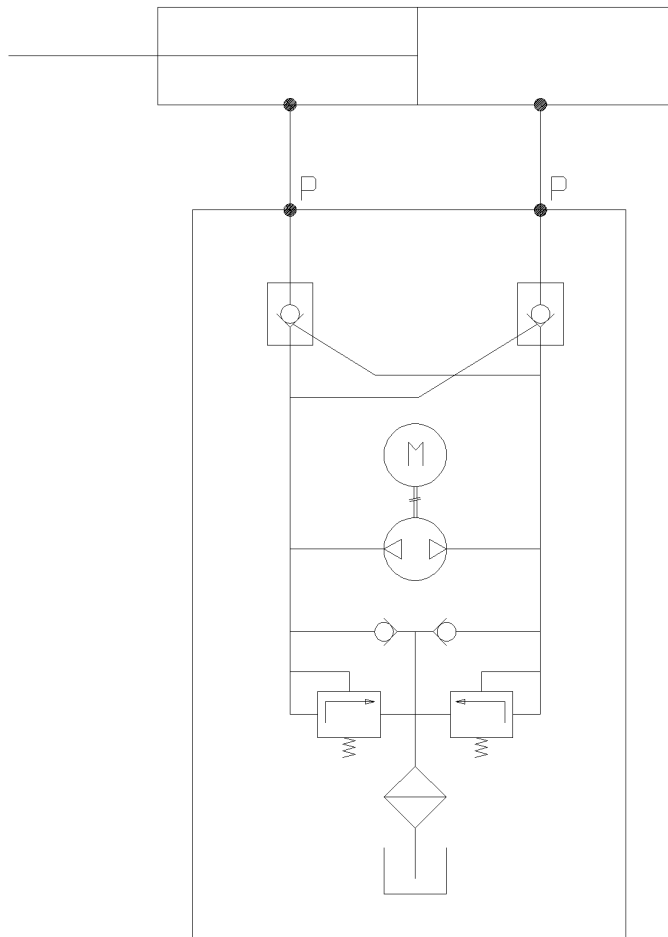
91	PLACCA CIRCUIT	DASHBOARD
92	SCHEDA DISPLAY	DISPLAY GND
93	SCHEDA POTENZA E MICRO	DISPLAY AND MICRO GND
94	SCHEDA COLLEGAMENTO GREENE	GREENE LIFTING GND
95	SCHEDA RELAY	RELAY GND
11	FORNICE TERMO H65	HEAT ENGINE H65
11	FORNICE TRAZIONE 3830 U 24V	TRACTION MOTOR 3830 U 24V
12	FORNICE SPAZZOLA CENTRALE 383U 24V	FRONT BLUSH MOTOR 383U 24V
13	FORNICE ABBANDONE SX 133U 24V	LEFT SLIDION MOTOR 133U 24V
14	FORNICE ABBANDONE DX 133U 24V	RIGHT SLIDION MOTOR 133U 24V
15	FORNICE SPAZZOLA LATERALE SX 38U 24V	LEFTSIDE BLUSH MOTOR 38U 24V
16	FORNICE SPAZZOLA LATERALE DX 38U 24V	RIGHTSIDE BLUSH MOTOR 38U 24V
17	FORNICE GENERALE POMPINA 383U 24V	PUMP PLANE MOTOR 383U 24V
18	FORNICE RIBALTAMENTO GREENE 133U 24V	GREENE CUSHION MOTOR 133U 24V
18	FORNICE RIAPPENDIO 383U 24V	SHOWER 383U 24V
19	FORNICE ATTORRE S.C. 38U 24V	ACTUATOR MOTOR S. C. 38U 24V
111	FORNICE SCUOTIFILTO SX 38U 24V	LEFT FILTER SHAVER MOTOR 38U 24V
112	FORNICE SCUOTIFILTO DX 38U 24V	RIGHT FILTER SHAVER MOTOR 38U 24V
113	VENTILATORE ABBANDONATO 24V	COLLING FAN BU 24V
114	TELESPERTE INGRESSO GEN. 128A 24V	INPUT GEN. REMOTE CONTR. SWITCH 128A 24V
115	TELESPERTE ABBANDONATO 128A 24V	OFF. SHAF. REMOTE CONTR. SWITCH 128A 24V
116	TELESPERTE ABBANDONATO ALER. 128A 24V	ALTERNATING REMOTE CONTR. SWITCH 128A 24V
F1	FIUSINE LAMPADINE 383A	FUSE 383A
F2	FIUSINE ABBANDONE 3.15 A 5X20	ACTUATOR FUSE 3.15 A 5X20
F3	FIUSINE ALTERNATORE 80A 28V	ALTERNATOR 80A 28V
A	LUCE RESIDUO	PARKING LIGHTS
B	LUCE ABBANDONATO	OFFROAD LIGHTS
C	LUCE DISPLAY	DISPLAY LIGHTS
D	ALTERNATIVE ABBANDONATO	IGN SW
E	LUCE INERTE/ATTIVO	PARKING LIGHTS SWITCH
I	INERTE/ATTIVO	INERTE/ATTIVO
S	SOLENOIDE CHIUSURA ABBANDONATO	GRABATOR AIR CLOSURE SOLENOID
OH	INERTE/ATTIVO 04A	KEY SWITCH
PI	POTENTIOMETRO ABBANDONATO 40"	FEED POTENTIOMETER 40"
P2	POTENTIOMETRO SPERDIZIONE LATERALE SX	SEE BLUSH POTENTIOMETER SX
Q1	SENSORE INERTE/ATTIVO 04A	TELESPERTE REMOTE CONTR. SWITCH 04A
Q2	SENSORE INERTE/ATTIVO ALER. 04A	TELESPERTE REMOTE CONTR. SWITCH 04A
Q3	SENSORE DISPLAY GREENE PIANO	FULL GREENE LABEL 383A
FE	ALTERNATIVE ABBANDONATO	OFFROAD LIGHTS SWITCH
S1	INERTE/ATTIVO LUCE ABBANDONATO	OFFROAD LIGHTS SWITCH
S2	INERTE/ATTIVO ALTERNATIVE ABBANDONATO	IGN SWITCH
S3	INERTE/ATTIVO LUCE RESIDUO	PARKING LIGHTS SWITCH
S4	ALTERNATIVE ABBANDONATO GREENE	GREENE CONTR. ABBANDONATO
S5	VEV/04A/04A GREENE	VEV GREENE CLOSURE
S6	VEV/SEDE/04A	VEV SEAT
S7	VEV/PIEDALE ABBANDONATO	VEV FEED PEDAL
S8	04A/04A INERTE/ATTIVO TERMO	TEMP. INTERRUPTION KEY
S9	VEV/SOLLEVAZIONE RIBALTAMENTO GREENE	GREENE SECURITY SEAT
AC	INERTE/ATTIVO OFF FORNICE ABBANDONATO	OFF ENGINE ON/OFF SWITCH
Q4	SENSORE ABBANDONATO	FUEL LIGHT IN/OFF SW
Q5	SENSORE DISPLAY 04A FORNICE	OIL ALARM
BU	ELETTROVALVOLA ABBANDONATO	FUSE, SOLENOID VALVE

Ref.	K	Part N.	Customer Part N.	Description	Qty	Validity:		Price
						From	To	
000D		MEVR47083		KLAXON L.14 24V	1,00			--
000E		KTRI00103		LAMP FLASH 24V ORANGE	2,00			--
000I		MECE85520		SWITCH RELAY 24V 220W	1,00			--
000M		MOSC47149		ENGINE MOTOR HONDA GX200 QM- 4-OH	1,00			--
000S		MEVR45120		SOLENOID K9B-36DL-1041	1,00			--
00A1		ARGN45114		ALTERNATOR 80 A 28V	1,00			--
00CH		MECI75805		SWITCH TK	1,00			--
00EV		MEEV47161		SOLENOID VALVE FUEL	1,00			--
00F1		MEVR00067		FUSE A BARRA 100A	1,00			--
00F2		MEVR00079		FUSE 3.15A 250V 5X20	1,00			--
00M1		RDGR45088		MOTOR.GEARBOX DV 1400 24V	1,00			--
00M2		MOCC45100		TRACTION MOTOR CC L.14	1,00			--
00M3		MOCC45111		MOTOR D.77 24V	1,00			--
00M4		MOCC45111		MOTOR D.77 24V	1,00			--
00M5		RDGR44777		MOTOR.GEARBOX AOMP140 24V 90W SX	1,00			--
00M6		RDGR44776		MOTOR.GEARBOX AOMP140 24V 90W DX	1,00			--
00M7		PPEL45108		MOTOR-DRIV.PUMPIDR. 24V L.14	1,00			--
00M8		RDGR31335		MOTOR.GEARBOX L. 70TE	1,00			--
00M9		MOCC45115		MOTOR 24V 300W SX	1,00			--
00P1		MEVR47087		POTENTIOMETER L.14	1,00			--
00P2		MECB00082		CABLE 26 CABLAG.SPAZZATR.TK1400	1,00			--
00PE		MECI00028		BUTTON DI EMERGENZA TK1400 24V	1,00			--
00S4		MECI45121		SWITCH D.22 RS.	1,00			--
00S5		MECI44780		MICROSWITCH D2VW-5L2A-1M OMR	1,00			--
00S7		MECI75950		MICROSWITCH TK	1,00			--
00S8		AZMC75803		DIASASS.SPANNERSW 1000	1,00			--
00S9		MECI44780		MICROSWITCH D2VW-5L2A-1M OMR	3,00			--
0CL1		MECI00035		DASHBOARD DI TEMPERATURA F11-95 NC	1,00			--
0CL2		METK47170		PROBE F11-140° NC	1,00			--
0CL4		KTRI00105		CARRYNG BAG	1,00			--
0M10		MOCC00009		ATUATOR CENTRAL BRUSH	1,00			--
0M11		PMQE00001		MOTOR SCUOTIF.ELETTR.COMPL. 24V	1,00			--
0M12		PMQE00001		MOTOR SCUOTIF.ELETTR.COMPL. 24V	1,00			--
0M13		VEVR45113		VENTILATOR 24V RF.	1,00			--
0SK1		MECE44770		PCB L.1400	1,00			--
0SK2		MECE44771		PCB DISPLAY L.1400	1,00			--
0SK3		MECE44785		PCB L.1400 TRACT.	1,00			--
0SK4		MECE44784		PCB L.1400	1,00			--
0SK5		MECE45124		PCB RELE' L.1400	1,00			--



SK1	PLACCA CONDIZ.	SK1	CONDIZ.
SK2	PLAT DI COLLEGGIEMTO	SK2	CONNECTOR
SK3	SCHEDA DISPLAY	SK3	DISPLAY
SK4	SCHEDA POTENZA E MICRO	SK4	PWR & MICRO
SK5	SCHEDA COLLEGGIEMTO GREENE	SK5	CONNECTOR GREENE
SK5	SCHEDA RELAY	SK5	RELAY
11	TORCE TORNO HFS	11	HEAT ENGINE HFS
11	TORCE TORNO 330 V 24V	11	TRACTION MOTOR 330 V 24V
12	TORCE SPAZZA CONDIZIONE 330V 24V	12	FAN BLAH MOTOR 330V 24V
13	TORCE AFRAPPODE SX 130V 24V	13	LEFT SLCTON MOTOR 130V 24V
14	TORCE AFRAPPODE DX 130V 24V	14	RIGHT SLCTON MOTOR 130V 24V
15	TORCE SPAZZA LATERALE SX 330V 24V	15	LEFTSIDE BLAH MOTOR 330V 24V
16	TORCE SPAZZA LATERALE DX 330V 24V	16	RIGHTSIDE BLAH MOTOR 330V 24V
17	TORCE GENERALI ARIA 330V 24V	17	AIR PLANE MOTOR 330V 24V
18	TORCE RIBALTAMENTO GREENE 130V 24V	18	GREEN GREEN MOTOR 130V 24V
18	TORNO ALI 330V 24V	18	SHAFER 330V 24V
18	TORCE ATTORRE S.C. 330V 24V	18	ACTUATOR MOTOR S. C. 330V 24V
111	TORCE SOTTIFILTRO SX 330V 24V	111	LEFT FILTER SHAFER MOTOR 330V 24V
112	TORCE SOTTIFILTRO DX 330V 24V	112	RIGHT FILTER SHAFER MOTOR 330V 24V
113	LENDICE DI AFRAPPODE 330V 24V	113	COILING AIR BU 24V
11.1	TEMPERATURE INGRESSO 120V 24V	11.1	INLET GEN. TEMPE CONTROL SWITCH 120V 24V
11.2	TEMPERATURE ALI 120V 24V	11.2	INLET GEN. TEMPE CONTROL SWITCH 120V 24V
11.3	TEMPERATURE AERODIN. 120V 24V	11.3	TEMPERATURE AERODIN. CONTROL SWITCH 120V 24V
F1	FUSIBILE LAMPADINE 330V	F1	FUSE 330V 330V
F2	FUSIBILE AFRAPPODE 3.15 A 5/20	F2	ACTUATOR FUSE 3.15 A 5/20
F4	ALTERNANZA 330V 24V	F4	ALTERNATOR 330V 24V
A	LUCE RESIZIONE	A	PARKING LIGHTS
B	LUCE AFRAPPODE	B	HEAT ENGINE LIGHTS
C	LUCE DISPLAY	C	DISPLAY LIGHTS
D	ALUSPARE AERODIN	D	AIR LIGHTS
E	LUCE INERTEZIM	E	PARKING LIGHTS
I	INERTEZIM	I	INERTER
S	SOLENOIDE CHILDRAN ARIA CONDIZIONE	S	ACTUATOR AIR CONDIZ. SOLENOID
O1	INERTEZIM 03A/E	O1	KEY SWITCH
P1	POTENZIOERO ALI 40V	P1	FEED POTENTIOMETER 40V
P2	POTENZIOERO SPAZZA LATERALI 33V	P2	SIDE BLAH POTENTIOMETER 33V
CL1	SENORE TEMPERATURA INT. INP. 3P	CL1	TEMPERATURE SENSOR Traction MOTOR 3P
CL2	SENORE TEMPERATURA INT. ALI 3P	CL2	TEMPERATURE SENSOR ALI. Traction 3P
CL3	SENORE CILINDRO GREENE PIEDO	CL3	FULL GREEN CYL. 3P
FE	ALUSPARE SPANZA	FE	EMERGENCY ALARM
SK1	INERTEZIM LUCE AFRAPPODE	SK1	HEAT ENGINE LIGHTS SWITCH
SK2	INERTEZIM ALUSPARE AERODIN	SK2	AIR SWITCH
SK3	INERTEZIM LUCE RESIZIONE	SK3	PARKING LIGHTS SWITCH
SK4	ALUSPARE CONDIZIONE GREENE	SK4	GREEN CONDIZ. ALARM
SK5	RELE' CONDIZIONE GREENE	SK5	RELE' GREEN CONDIZ.
S5	RELE' SEDE	S5	RELE' SEAT
S7	RELE' PEDALE ALI 330V	S7	RELE' PEDAL
S8	CHIAVE INERTEZIM TORNO	S8	KEY INERTER
S9	RELE' SULLA SPAZZA RIBALTAMENTO GREENE	S9	GREEN GREEN SECURITY RELE'
AC	INERTEZIM ON/OFF TORNO BICOINERTEZIM	AC	GEN ENGINE ON/OFF SWITCH
CL4	SENORE RESERVA CONDIZ.	CL4	FUEL LIGHT INDUCTOR
CL5	SENORE CILINDRO ORO TORNO	CL5	OIL ALARM
BU	ELETTROVALVOLA CONDIZ.	BU	FUEL SOLENOID VALVE

Ref.	K	Part N.	Customer Part N.	Description	Qty	Validity:		Price
						From	To	
OTL1		METT45116		CONTACTOR 24V T106 P	1,00			--
OTL2		METT45116		CONTACTOR 24V T106 P	1,00			--
OTL3		METT45116		CONTACTOR 24V T106 P	1,00			--



Ref. K	Part N.	Customer Part N.	Description	Qty	Validity:		Price
					From	To	
000M	PPEL45108		MOTOR-DRIV.PUMPIDR. 24V L.14	1,00			--