



IPC Integrated Professional Cleaning

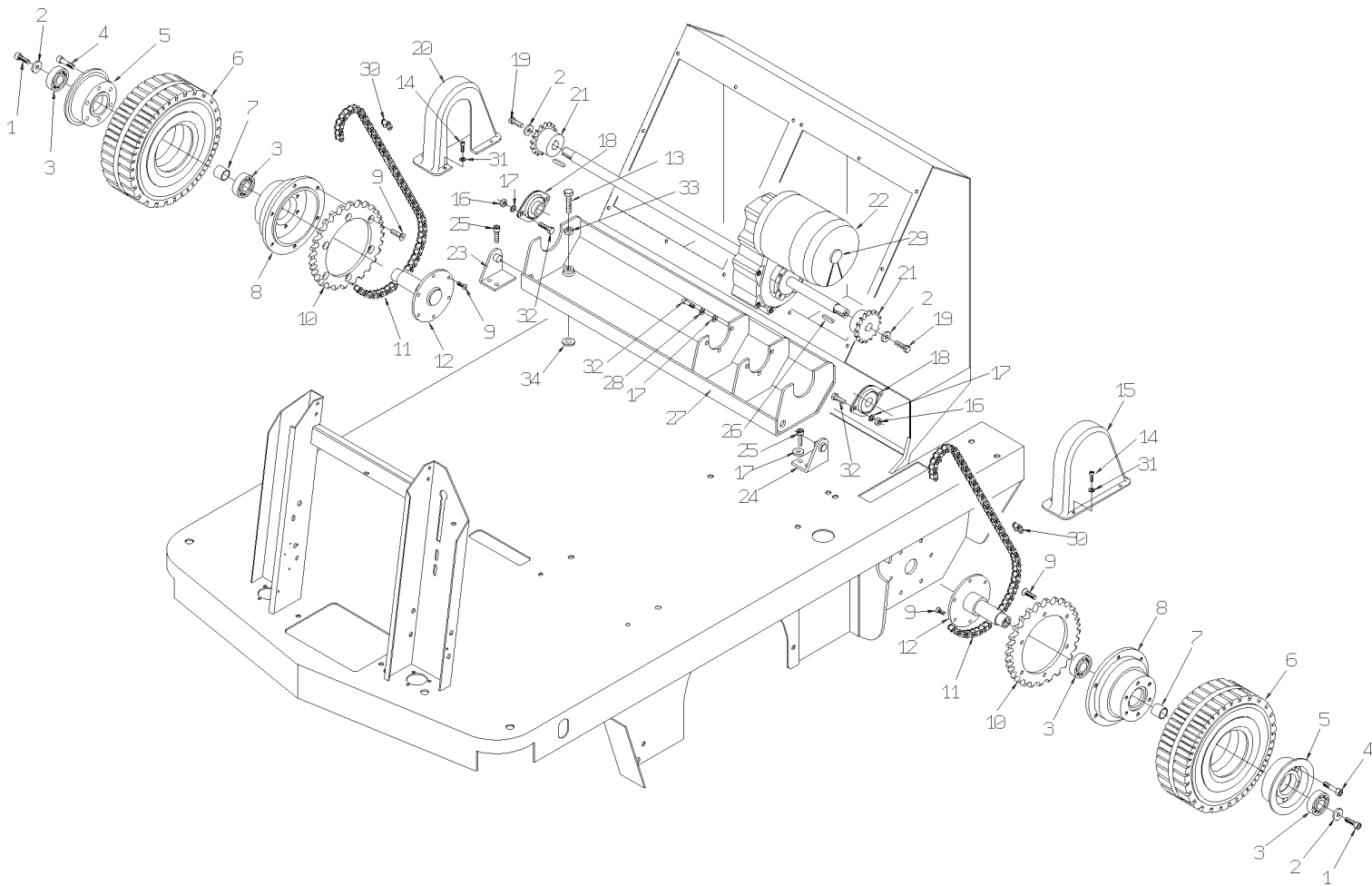
**IPC**Gansow

## **Spare Parts List**

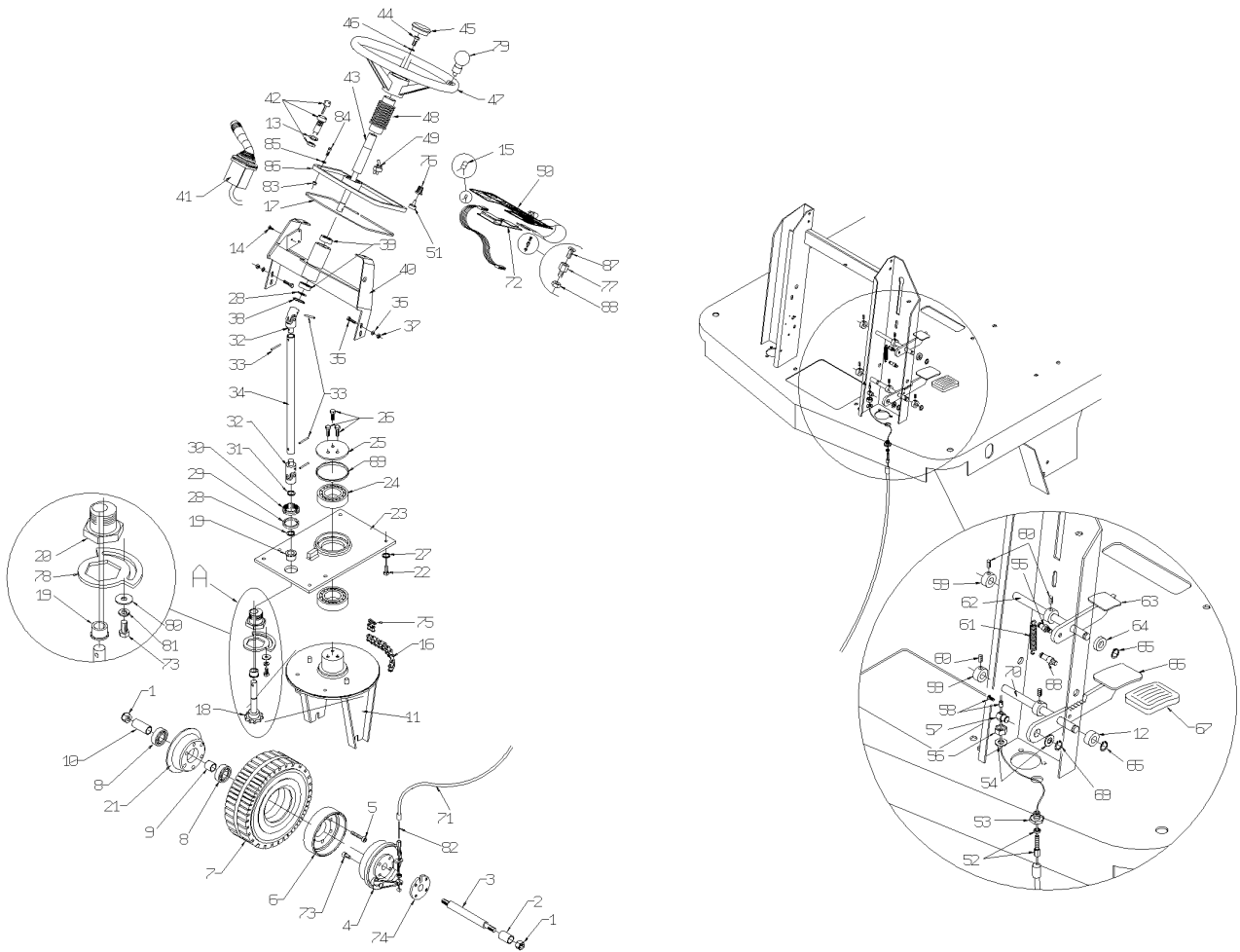
**TAVERNARO AG**

**Ref: MSUB00077**

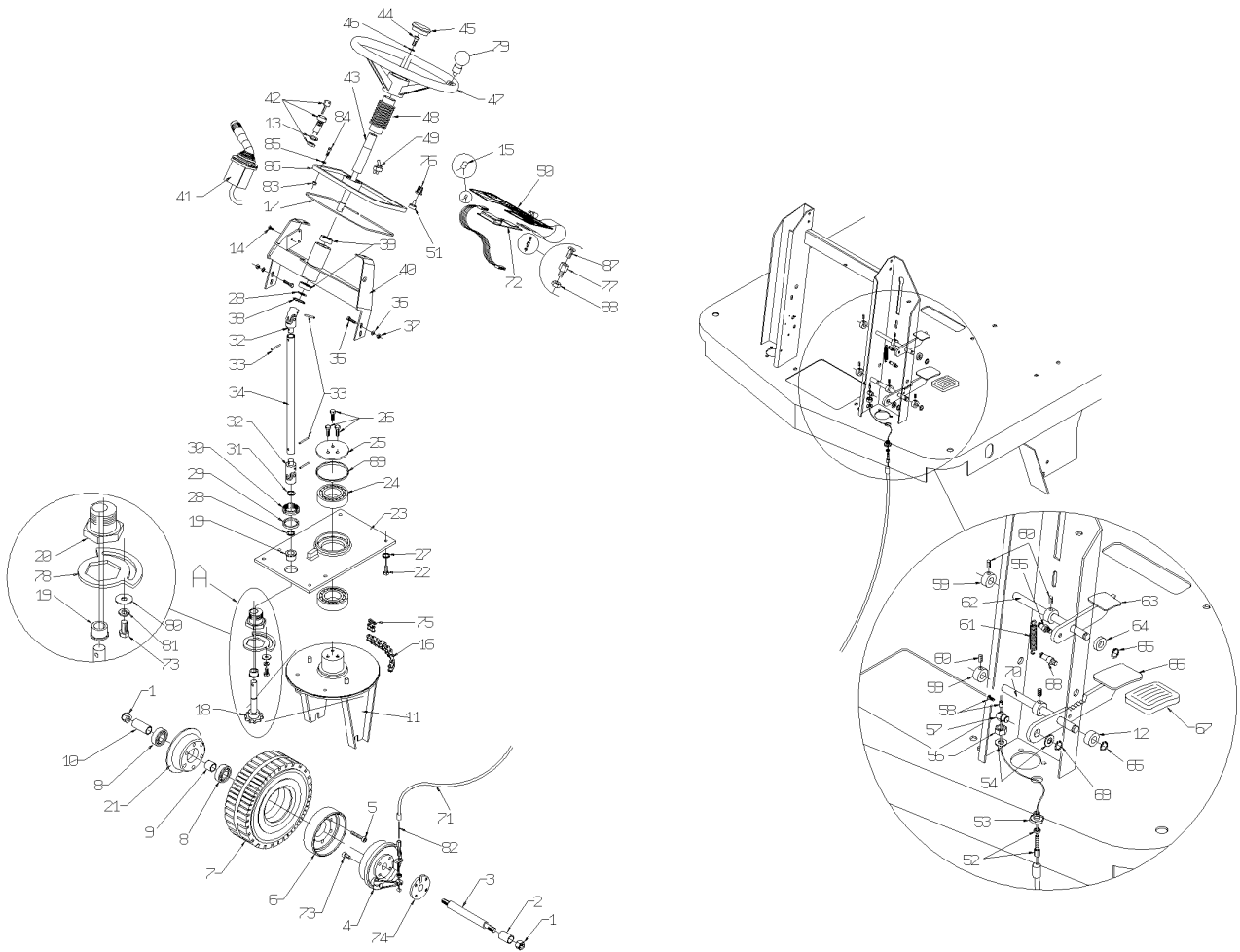
**Model: Spazzatrice G 1400 DP gri/gri 2SP**



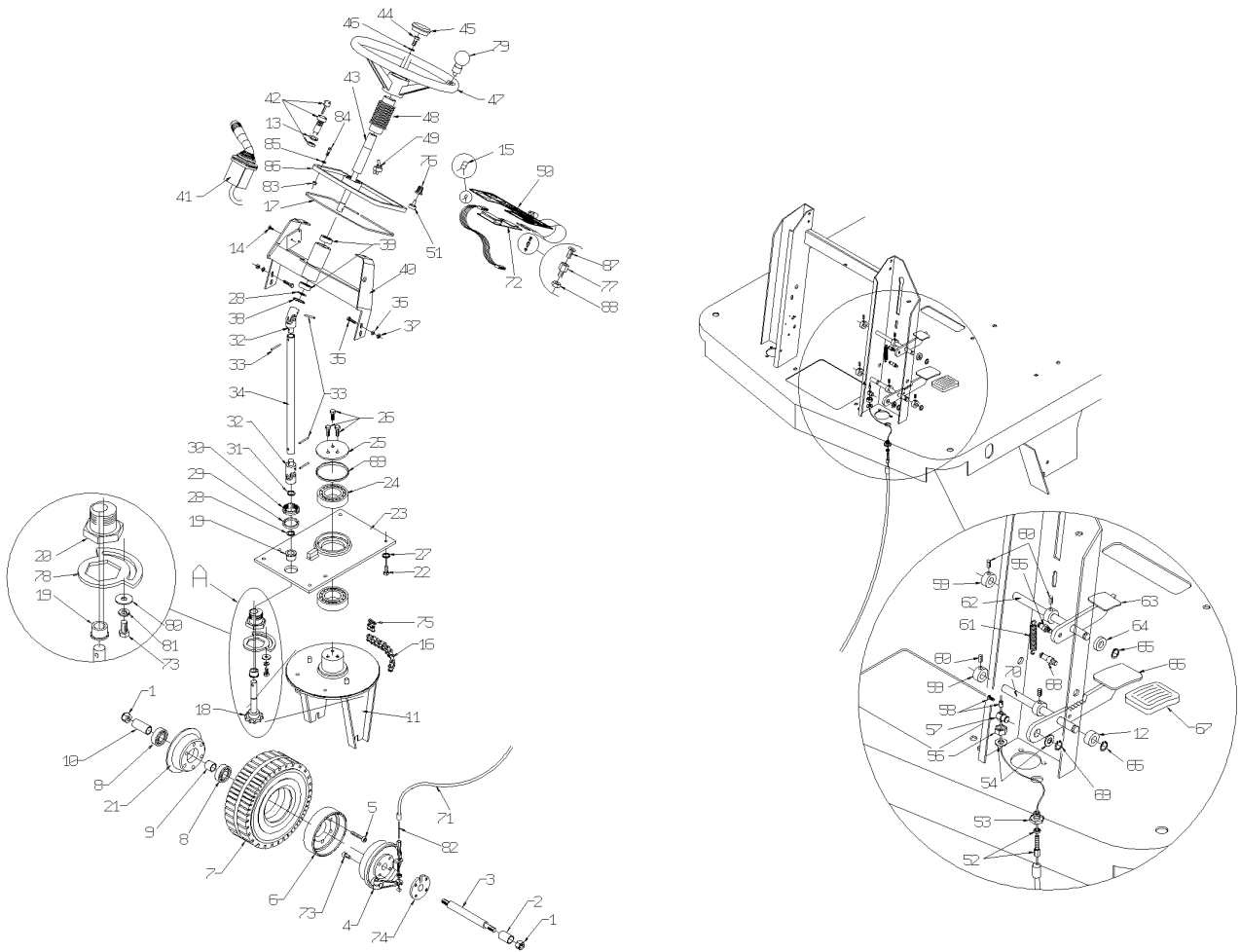
Ref. K	Part N.	Customer Part N.	Description	Qty	Validity: From To	Price
0001	VTVT87271		SCREW TBEI M 8X 16 ISO 7380	2,00		--
0002	VTRS00513		WASHER D. 8 X32 P.	4,00		--
0003	CUVR08998		BALL BEARING 6204 2RS1	4,00		--
0004	VTVT01119		SCREW TCEI 8X20 UNI5931	12,00		--
0005	LAFN45083		HUB TK1400 AN/PST.	2,00		--
0006	RTRT45132		WHEEL D.306 4.00-4 S.EL.	2,00		--
0007	LAFN45336		SPACER D. 20-24 L=22	2,00		--
0008	LAFN45084		HUB TK1400 PST.	2,00		--
0009	VTVT01534		SCREW TSPEI 8X30 UNI5933	18,00		--
0010	MTCR45337		TOOTHED WHEEL Z. 45 P 1/2"	2,00		--
0011	MTCR45085		CHAIN 1/2 TK1400 TRZ.	2,00		--
0012	LAFN45086		WHEEL SUPPORT TK1400 PST.	2,00		--
0013	VTVT01536		SCREW TE 10X45 UNI5739	2,00		--
0014	VTVT75726		SCREW TBEI M 6X 16 ISO 7380 ZB	4,00		--
0015	MPVR45338		CRANKCASE L.14 SX	1,00		--
0016	VTDD87083		NUT AUTO BLOCK M8 DIN 985 ZB	4,00		--
0017	VTRS76640		WASHER 8 X 17	14,00		--
0018	LAFN87166		SUPPORT	2,00		--
0019	VTVT87271		SCREW TBEI M 8X 16 ISO 7380	2,00		--
0020	MPVR45396		CRANKCASE L.14 DX	1,00		--
0021	MTCR45897		PINION Z.12 P 1/2	2,00		--
0022	RDGR45088		MOTOR.GEARBOX DV 1400 24V	1,00		--
0023	LAFN45397		SUPPORT L.14 DX	1,00		--
0024	LAFN45398		SUPPORT L.14 SX	1,00		--
0025	VTVT00066		SCREW TCCE UNI 5931 8X25 ZB	4,00		--
0026	VTVR23472		KEY 6X6X25	2,00		--
0027	MPVR45399		SHAFT SUPPORT L.14	1,00		--
0028	VTRS00020		WASHER GOWER UNI 1751 UNI 1751	6,00		--
0029	MECI00035		DASHBOARD DI TEMPERATURA F11-95 NC	1,00		--
0030	MTCR45401		WARP KNITTING 1/2	2,00		--
0031	VTRS00011		WASHER UNI 6592 6X12 ZB	2,00		--
0032	VTVT29810		SCREW TCEI M 8X20 UNI 5931	10,00		--
0033	VTDD00006		NUT UNI 5588 M10 ZB	2,00		--
0034	LAFN47016		SPACER L.14	2,00		--



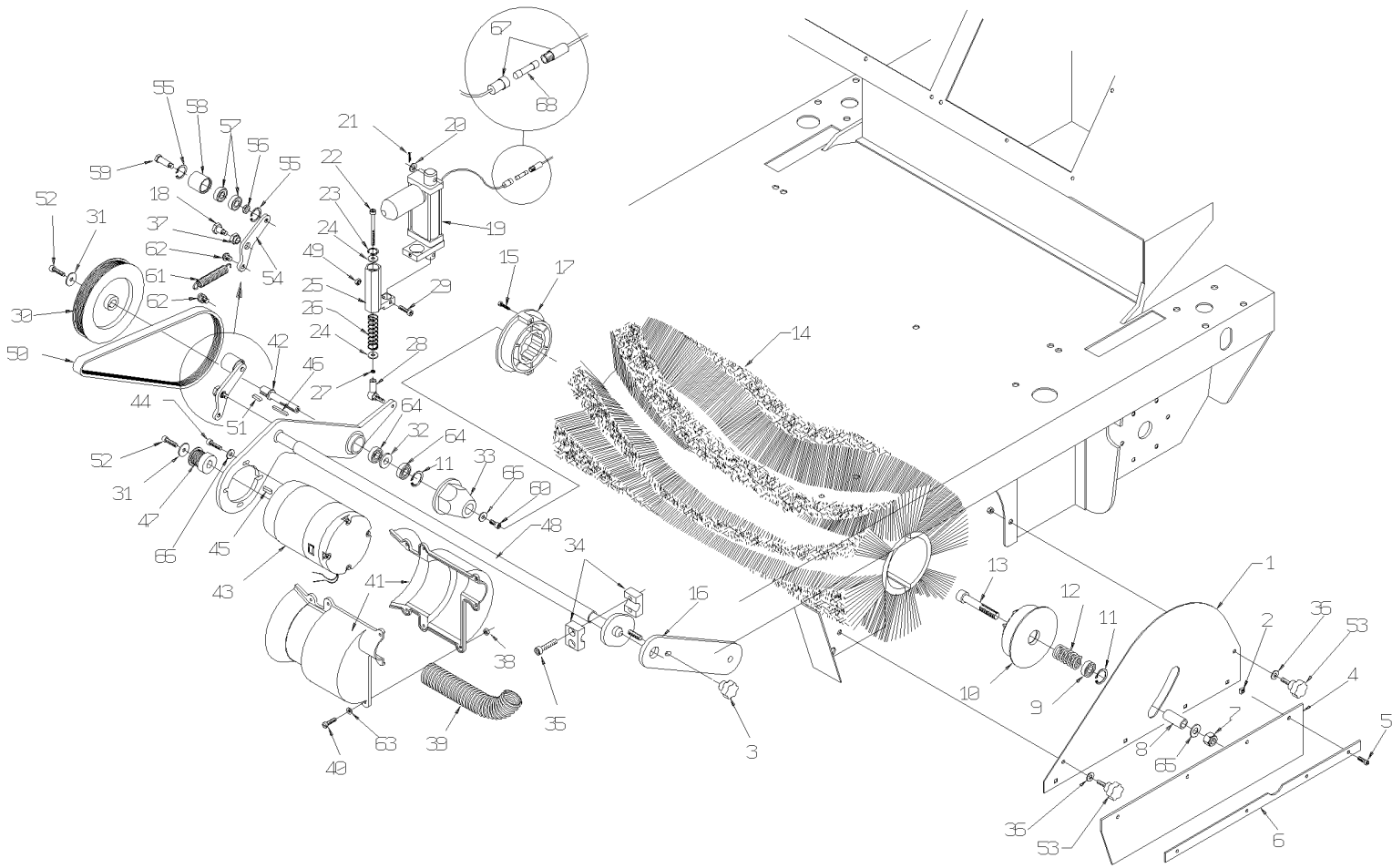
Ref.	K	Part N.	Customer Part N.	Description	Qty	Validity: From To	Price
0001		VTDD00012		NUT AUTOBLOK DIN 985 M12 ZB	2,00		--
0002		LAFN47017		SPACER D. 20-24 L=55	1,00		--
0003		LAFN45089		WHEEL PIN TK1400 ANT.	1,00		--
0004		RTRT45090		BLOCK BRAKE D.125 TK	1,00		--
0005		VTVT00066		SCREW TCCE UNI 5931 8X25 ZB	6,00		--
0006		LAFN45091		HUB TK1400 FRN.	1,00		--
0007		RTRT45132		WHEEL D.306 4.00-4 S.EL.	1,00		--
0008		CUVR08998		BALL BEARING 6204 2RS1	2,00		--
0009		LAFN45336		SPACER D. 20-24 L=22	1,00		--
000A		KTRI46514		PIN TK 1000 + BUSCH.	1,00		--
0010		LAFN47018		SPACER D. 20-24 L=35	1,00		--
0011		LAFN45092		WHEEL SUPPORT TK1400 ANT.	1,00		--
0011		LAFN45092		WHEEL SUPPORT TK1400 ANT.	1,00		--
0012		LAFN47019		BUSHING L.14	1,00		--
0013		VTRS00023		WASHER DENTATA INT.UNI 6798 D.18	1,00		--
0014		VTVT00099		SCREW AUTOF.TC UNI 6954 3,9X13	3,00		--
0015		MEVR00141		OIL WARN-LIGHT LED OLIO,BENZINA TK1400	2,00		--
0016		MTCR45093		CHAIN 3/8 TK1400 STE.	1,00		--
0017		GUVR44786		GASKET L.14	1,00		--
0018		LAFN75974		PIN TK 1000	1,00		--
0019		LAFN75841		BUSHING TK 1000	2,00		--
0020		LAFN75842		BUSHING TK 1000	1,00		--
0021		LAFN45083		HUB TK1400 AN/PST.	1,00		--
0022		VTVT00015		SCREW TE UNI 5739 8X25 ZB	6,00		--
0023		LAFN45094		FLANGE TK1400	1,00		--
0024		CUVR75816		BEARING 51112	2,00		--
0025		LAFN47004		FLANGE TK1400	1,00		--
0026		VTVT00014		SCREW TE UNI 5739 8X20 CL.10.9	3,00		--
0027		VTRS00020		WASHER GOWER UNI 1751 UNI 1751	6,00		--
0028		LAFN47020		THICKNESS D.15X22X1.0	2,00		--
0029		LAFN75913		SPACER TK	1,00		--
0030		VTVR75747		RING NUT AUTOBLOK M 35 X 1,5 GUK	1,00		--
0031		VTAE17003		CIRCLIP D. 15 UNI 7435	1,00		--
0032		VTVR47021		ARTICULATION D. 5-15	2,00		--
0033		VTVR46987		ELASTIC PLUG 5X25 UNI 6873	4,00		--
0034		LAFN47022		LOW STEERING L.14	1,00		--
0035		VTVT62920		SCREW TE F/ROND. M 6X 16 ZB	4,00		--
0036		VTRS86634		WASHER 6X18X1,5 UNI6593	4,00		--
0037		VTDD00010		NUT AUTOBLOK DIN 985 M6 BASSO	4,00		--



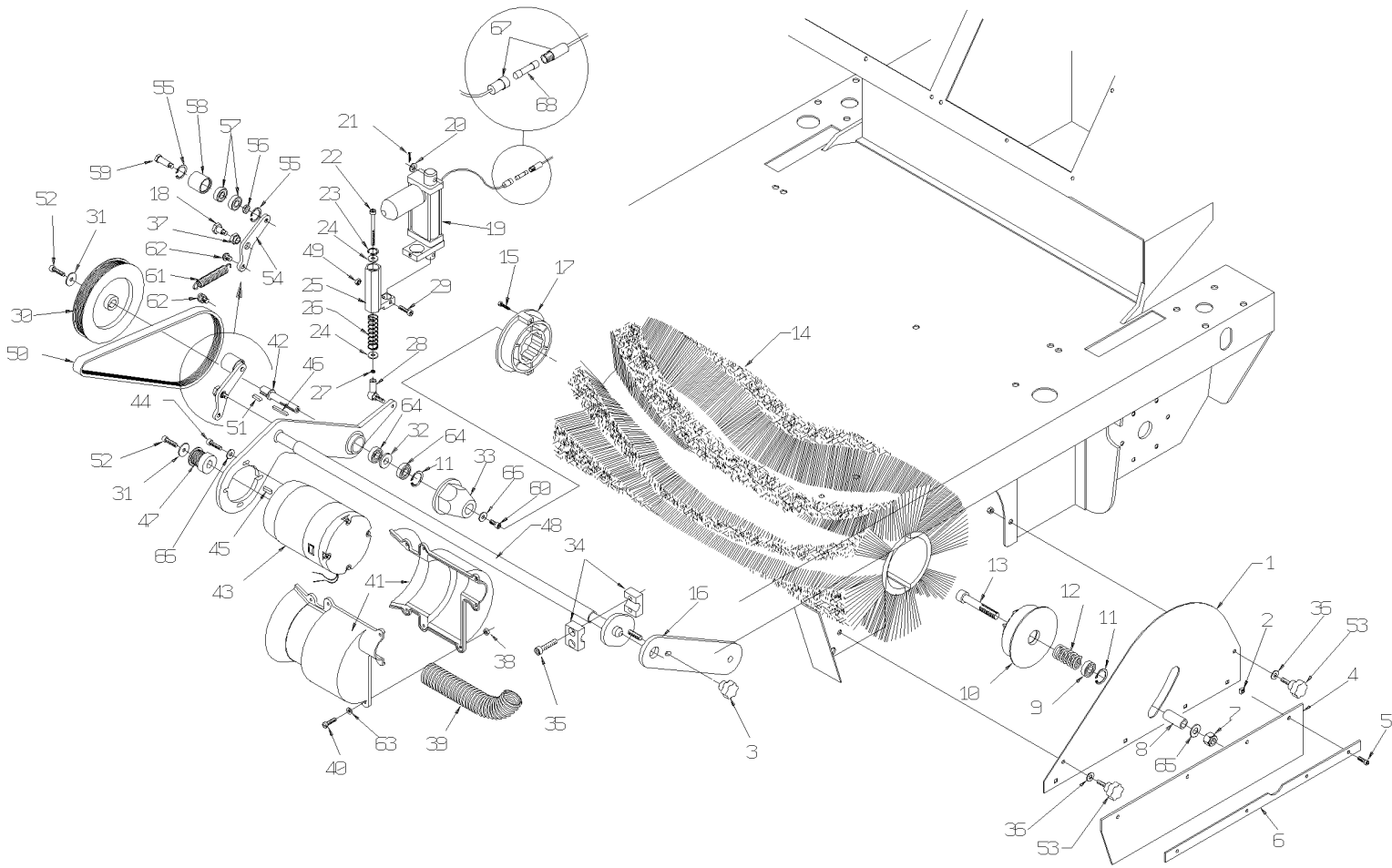
Ref. K	Part N.	Customer Part N.	Description	Qty	Validity:		Price
					From	To	
0038	VTAE17003		CIRCLIP D. 15 UNI 7435	1,00			--
0039	CUVR00005		BEARING 6202 2RS	2,00			--
0040	LAFN47023		SUPPORT L.14	1,00			--
0042	MECI75805		SWITCH TK	1,00			--
0043	LAFN47024		UP STEERING L.14	1,00			--
0044	VTVT47025		SCREW TBEI M 10X 16 ISO 7380 ZB	1,00			--
0045	MPVR47026		BLACK CAP L.14	1,00			--
0046	VTRS44254		WASHER D.10 X40X2.5 UNI6593	1,00			--
0047	MPVR47027		STEERING WHEEL D. 320 L.14	1,00			--
0048	MPVR47028		PROTECTOR STZ. L.14	1,00			--
0049	MECI75945		COMMUTAT.SWITCH3 POS. TK	1,00			--
0050	MECE44770		PCB L.1400	1,00			--
0051	MECB00082		CABLE 26 CABLAG.SPAZZATR.TK1400	1,00			--
0052	CMCV75723		REGISTER D.7	1,00			--
0053	LAFN75975		PIN TK	1,00			--
0054	VTRS86510		WASHER 15X24 UNI6592	2,00			--
0055	LAFN47029		PIN CH.10 H.16	1,00			--
0056	VTDD00007		NUT UNI 5588 M12 ZB	1,00			--
0057	LAFN75973		PIN FLAP TK	1,00			--
0058	VTVR00031		CLAMP FRENO TK1400	1,00			--
0059	LAFN47030		BUSHING L.14	4,00			--
0060	VTVT75731		SCREW UNI 5923 6 X5	3,00			--
0061	MLML75960		SPRING D. 8 X1 X32	1,00			--
0062	LAFN47031		PIN L.14	1,00			--
0063	LAFN47032		PEDALE L.14	1,00			--
0064	LAFN47033		BUSHING L.14	1,00			--
0065	VTAE87276		SEEGER EXT. D10 DIN471	2,00			--
0066	LAFN47034		BRAKE PEDAL L.14	1,00			--
0067	MPVR45096		RUBBER V 1201 GR.	1,00			--
0068	LAFN47035		PIN CH.10 H.26	1,00			--
0069	VTAE14016		CIRCLIP D. 12 UNI 7435	1,00			--
0070	LAFN47036		PIN BRK.+FLAP L.14	1,00			--
0071	CMCV87173		SHEATH CAVO FRENO 21251013	1,00			--
0072	MECE44771		PCB DISPLAY L.1400	1,00			--
0073	VTVT00013		SCREW TE UNI 5739 8X16 ZB	5,00			--
0074	LAFN45872		FLANGE L.14	1,00			--
0075	MTCR47037		WARP KNITTING 3/8	2,00			--
0076	MECB00082		CABLE 26 CABLAG.SPAZZATR.TK1400	1,00			--
0077	LAFN47038		CONNECTOR M-F M3	3,00			--



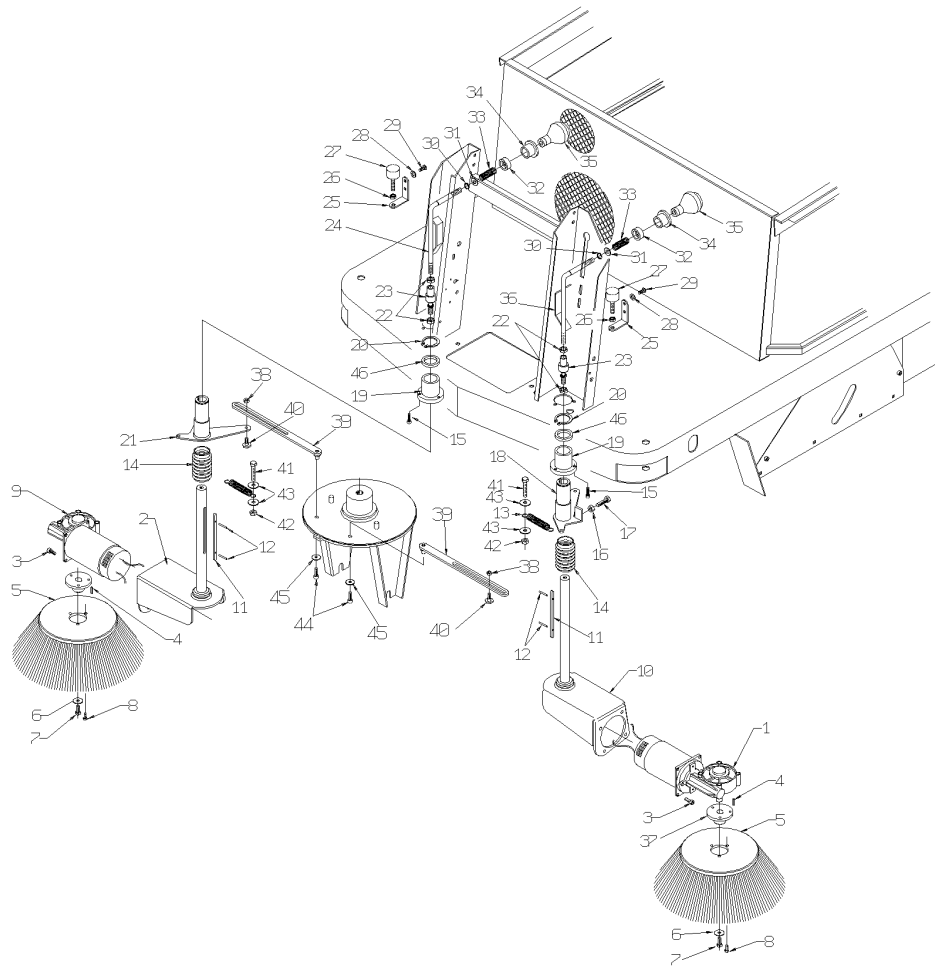
Ref. K	Part N.	Customer Part N.	Description	Qty	Validity:		Price
					From	To	
0078	LAFN47039		FLANGE L.14	1,00			--
0079	MPVR47040		KNOB L.14	1,00			--
0080	VTRS87283		WASHER D.8X24X2,5 ZB UNI 6593	1,00			--
0081	VTRS00020		WASHER GOWER UNI 1751 UNI 1751	1,00			--
0082	CMCV85320		CABLE D.2,5 L.760 21251003	1,00			--
0083	VTDD00013		NUT INGABBIATO UNI 3740 M6	2,00			--
0084	VTVT09916		SCREW TBEI M 6X 20 ISO 7380 ZB	2,00			--
0085	VTRS00011		WASHER UNI 6592 6X12 ZB	2,00			--
0086	MPVR44783		INSTR.PANEL L.1400 ABS	1,00			--
0087	VTVT00035		SCREW TSTC 3X8 ZB	3,00			--
0088	VTDD00001		NUT UNI 5588 M3 ZB	6,00			--
0089	LAFN00912		THICKNESS STERZO	1,00			--



Ref. K	Part N.	Customer Part N.	Description	Qty	Validity: From To	Price
0001	LAFN47045		DOOR L.14	1,00		--
0002	VTVR47015		INSERT PLS. D.3	4,00		--
0003	VTVR00047		HANDWHEEL D.50 M8	1,00		--
0004	MPVR44782		RUBBER L.1400 DX-SX	1,00		--
0005	VTVT00106		SCREW AUTOFIL. TC 3,5X14,5	4,00		--
0006	LAFN47046		HOSE CLIP L.14 LT.	1,00		--
0007	VTDD00012		NUT AUTOBLOK DIN 985 M12 ZB	1,00		--
0008	LAFN47047		SPACER L.14	1,00		--
0009	CUVR00002		BEARING 6001 2RS	1,00		04/2003
0009	CUVR46942		BALL BEARING 6001-2RS1 -SKF	1,00	04/2003	--
0010	LAFN44772		FLANGE L.1400	1,00		--
0011	VTAE00010		SEEGER INTERNO DIN 472 D.28	2,00		--
0012	MLML45098		SPRING D. 25X38 TK1400	1,00		--
0013	VTVT47048		SCREW TCEI M12X80 UNI 5931	1,00		--
0014	SPPV43840		BRUSH D.330x800 ST.MD.	1,00		--
0014	SPPV43841		BRUSH D.330x800 ST.DR.	1,00		--
0015	VTVT47049		SCREW ATF TSP-TC 3,5X45 U.6955	2,00		--
0016	LAFN47050		LATERAL ARM L.14	1,00		--
0017	LAFN45099		DRIVE DISK TK1400	1,00		--
0018	LAFN47051		PIN L.14	1,00		--
0019	PMQE00017		ATUATOR SPAZZOLA CENTRALE	1,00	09/2003	--
0020	VTRS00011		WASHER UNI 6592 6X12 ZB	1,00		--
0021	VTVR47052		SPLIT PIN "R" D. 2 X 43 ZC	1,00		--
0022	VTAE47053		CIRCLIP D. 20 UNI 7437	1,00		--
0023	VTAE00009		SEEGER INTERNO DIN 472 D.20	1,00		--
0024	MPVR45282		BUSHING TK1400	2,00		--
0025	MPVR45279		CASE TK1400	1,00		--
0026	MLML00018		SPRING D.20X2X81 X CILIND.STAB.	1,00		--
0027	VTDD00004		NUT UNI 5588 M6 ZB	1,00		--
0028	VTVR45280		ARTICULATION AS M6	1,00		--
0029	VTVT00008		SCREW TE UNI 5739 6X30 ZB	1,00		--
0030	MTPL47054		PULLEY POLY-V J8 D. 155	1,00		--
0031	VTRS63242		WASHER D. 6 X24 ZC	2,00		--
0032	LAFN46932		SPACER L.14	1,00		--
0033	LAFN44774		HUB 1050	1,00		--
0034	LAFN47055		HOSE COLLAR C3 D.18	4,00		--
0035	VTVT06236		SCREW TCEI 6X40 UNI5931	4,00		--
0036	VTRS76640		WASHER 8 X 17	2,00		--
0037	LAFN47033		BUSHING L.14	1,00		--

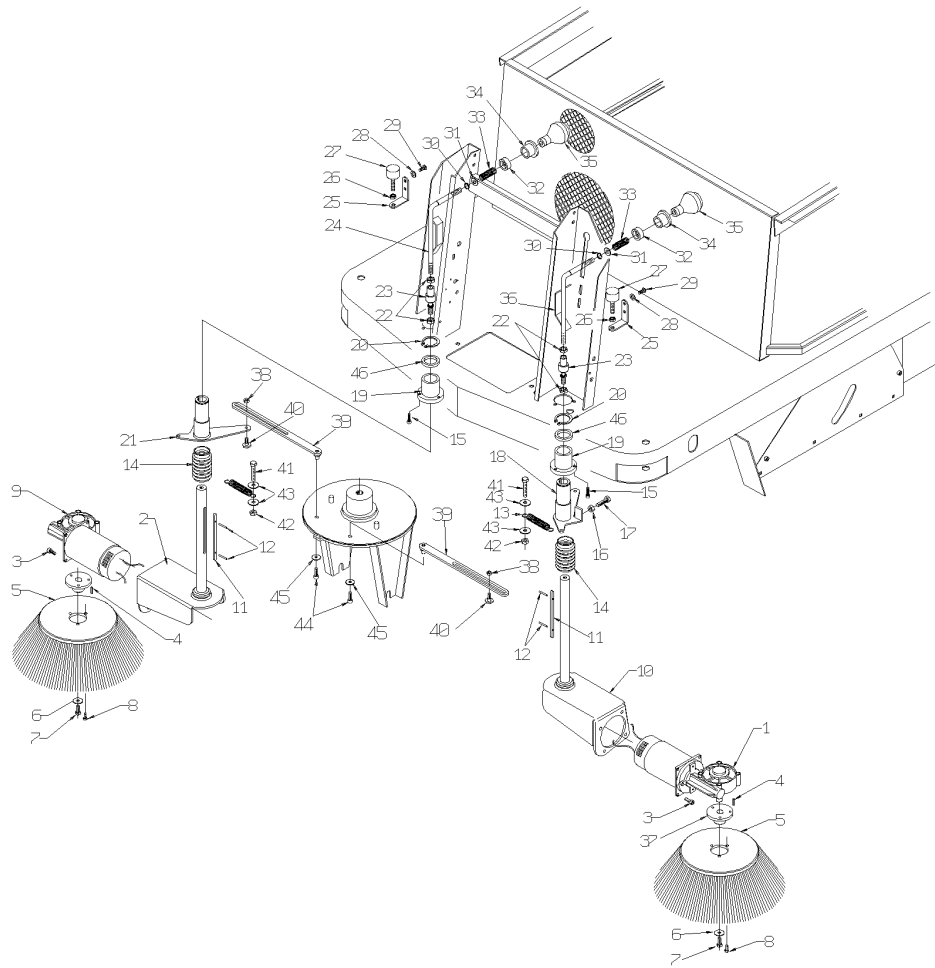


Ref. K	Part N.	Customer Part N.	Description	Qty	Validity:		Price
					From	To	
0038	VTVR47057		INSERT M4 X12	7,00			--
0039	TBFX00003		TUBE RAFFRE.MOT.SPAZ.CENT.1400	1,00			--
0040	VTVT72043		SCREW M 4 X16 TC UNI7687	7,00			--
0041	MPVR47058		CRANKCASE L.14	1,00			--
0042	LAFN44775		BRUSH PIN L.1400	1,00			--
0043	MOCC45100		TRACTION MOTOR CC L.14	1,00			--
0044	VTVT06237		SCREW TCEI 6X20 UNI5931	5,00			--
0045	VTVR13164		KEY 5X5X30	1,00			--
0046	VTVR00006		KEY UNI 6604 4X4X35	1,00			--
0047	MTPL45101		PULLEY POLY-V J8 TK1400	1,00			--
0048	LAFN46940		ARM L.14 CP.	1,00			--
0049	VTDD19688		NUT M6 UNI 7473	1,00			--
0050	MTCG44767		BELT POLY-V J8 864-340	1,00			--
0051	VTVR13165		KEY 5X5X20	1,00			--
0052	VTVT24209		SCREW TCEI 6X12 UNI5931	1,00			--
0053	RTRT00022		HANDWHEEL D.30 M6X15	2,00			--
0054	LAFN47059		BELT-STRETCHER L.14	1,00			--
0055	VTAE00008		SEEGER INTERNO DIN 472 D.26	2,00			--
0056	LAFN47060		SPACER L.14	1,00			--
0057	CUVR86373		BEARING 6000 2RS	2,00			--
0058	MTPL47061		ROLLER L.14	1,00			--
0059	LAFN47062		PIN L.14	1,00			--
0060	VTVT24209		SCREW TCEI 6X12 UNI5931	1,00			--
0061	MLML75961		SPRING D. 16 L.80	1,00			--
0062	VTVT45395		SCREW TBEI M 8X 10 ISO 7380 ZB	2,00			--
0063	VTRS15959		WASHER D. 4X12 UNI 6593	7,00			--
0064	CUVR46942		BALL BEARING 6001-2RS1 -SKF	2,00			--
0065	VTRS86510		WASHER 15X24 UNI6592	1,00			--
0066	VTRS86634		WASHER 6X18X1,5 UNI6593	5,00			--
0067	MEVR00080		FUSE-HOLDER PV610 10A	1,00			--
0068	MEVR00079		FUSE 3.15A 250V 5X20	1,00			--

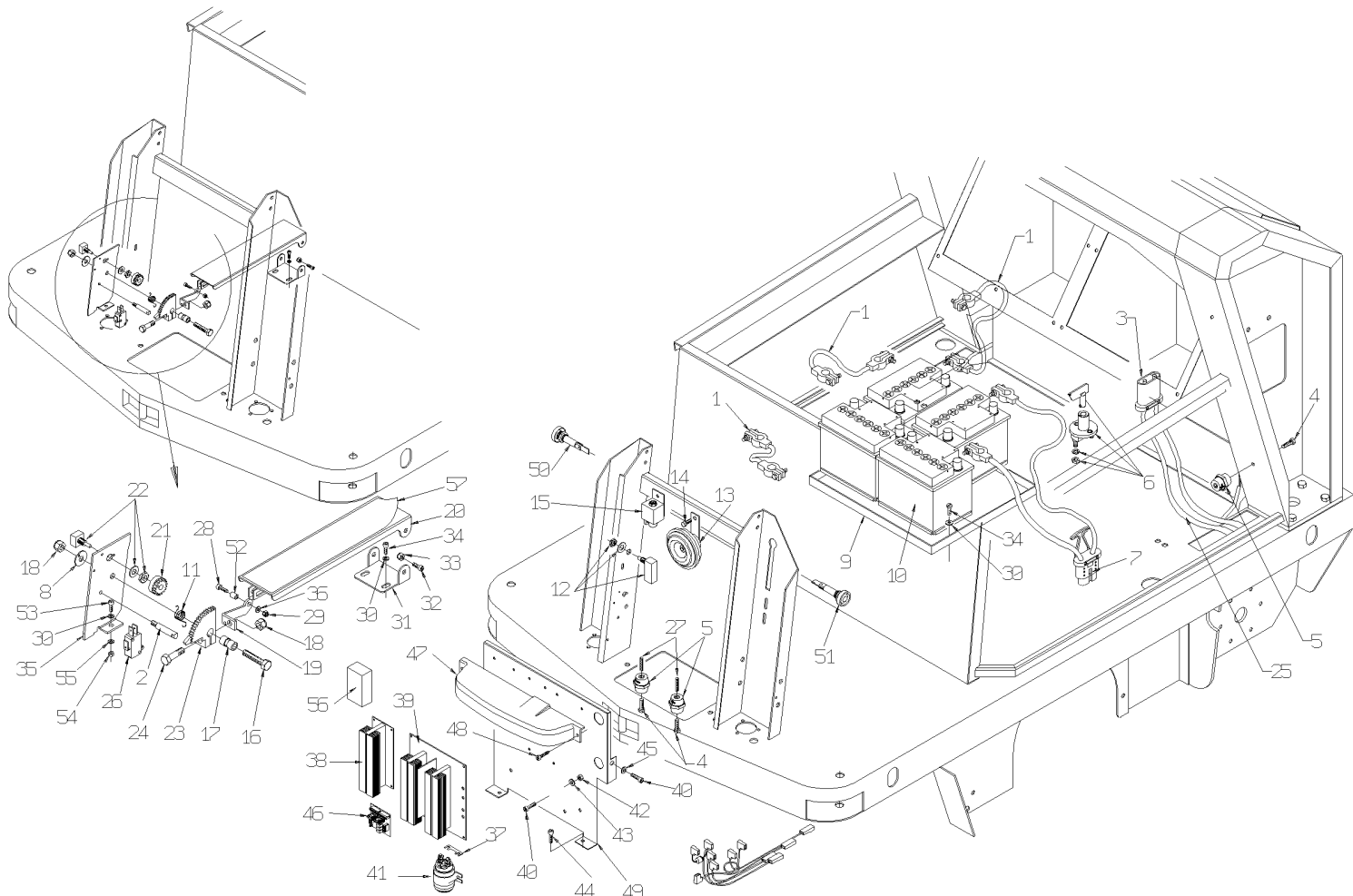


Ref. K	Part N.	Customer Part N.	Description	Qty	Validity:		Price
					From	To	
0001	RDGR44777		MOTOR.GEARBOX AOMP140 24V 90W SX	1,00			--
0002	LAFN47063		MOTOR SUPPORT L.14 DX	1,00			--
0003	VTVT06237		SCREW TCEI 6X20 UNI5931	8,00			--
0004	VTVR33667		KEY 5x 5x25 UNI 6604A	2,00			--
0005	SPPV43844		SIDE-BRUSH D. 500 ST.MD.	2,00			--
0006	VTRS63242		WASHER D. 6 X24 ZC	2,00			--
0007	VTVT75719		SCREW TE F/ROND. M 6 X 10	2,00			--
0008	VTVT62920		SCREW TE F/ROND. M 6X 16 ZB	6,00			--
0009	RDGR44776		MOTOR.GEARBOX AOMP140 24V 90W DX	1,00			--
0010	LAFN47064		MOTOR SUPPORT L.14 SX	1,00			--
0011	VTVR47065		KEY 6X 6X130 UNI 6604	2,00			--
0012	VTVR00009		ELASTIC PLUG DIN 1481 3X20	4,00			--
0013	MLML45102		SPRING TR	2,00			--
0014	MPVR47066		PROTECTOR L.14	2,00			--
0015	VTVT09913		SCREW TCEI 6X16 UNI5931	6,00			--
0016	VTDD00005		NUT UNI 5588 M8 ZB	6,00			--
0017	VTVT00017		SCREW TE UNI 5739 8X35 ZB	2,00			--
0018	LAFN47067		GUIDE L.14 SX	1,00			--
0019	LAFN47070		FLANGE L.14 LT.	2,00			--
0020	VTAE12644		CIRCLIP D. 30 UNI 7435	2,00			--
0021	LAFN47071		GUIDE L.14 DX	1,00			--
0022	VTDD00006		NUT UNI 5588 M10 ZB	4,00			--
0023	VTVR47072		ARTICULATION AS M10	2,00			--
0024	LAFN47073		ARM L.14 DX	1,00			--
0025	MPVR86579		SUPPORT TK	2,00			--
0026	VTDD00004		NUT UNI 5588 M6 ZB	2,00			--
0027	MPVR75799		FOOT 20x9 M 6x18	2,00			--
0028	VTRS86634		WASHER 6X18X1,5 UNI6593	4,00			--
0029	VTVT75726		SCREW TBEI M 6X 16 ISO 7380 ZB	4,00			--
0030	VTAE87276		SEGER EXT. D10 DIN471	2,00			--
0031	VTRS00012		WASHER UNI 6592 10X21 ZB	2,00			--
0032	MPVR47074		BUSHING L.14 INT.	2,00			--
0033	MLML47075		SPRING D.15X 24 X1.5	2,00			--
0034	MPVR47076		BUSHING L.14 EXT.	2,00			--
0035	MPVR47077		KNOB L.14	2,00			--
0036	LAFN47078		ARM L.14 SX	1,00			--
0037	LAFN45010		FLANGE L.1400 LT.	2,00			--
0038	VTDD00010		NUT AUTOBLOK DIN 985 M6 BASSO	2,00			--
0039	ALTR00023		ROD ROTAZ.SPAZZ.LAT.G1400zb	2,00			--

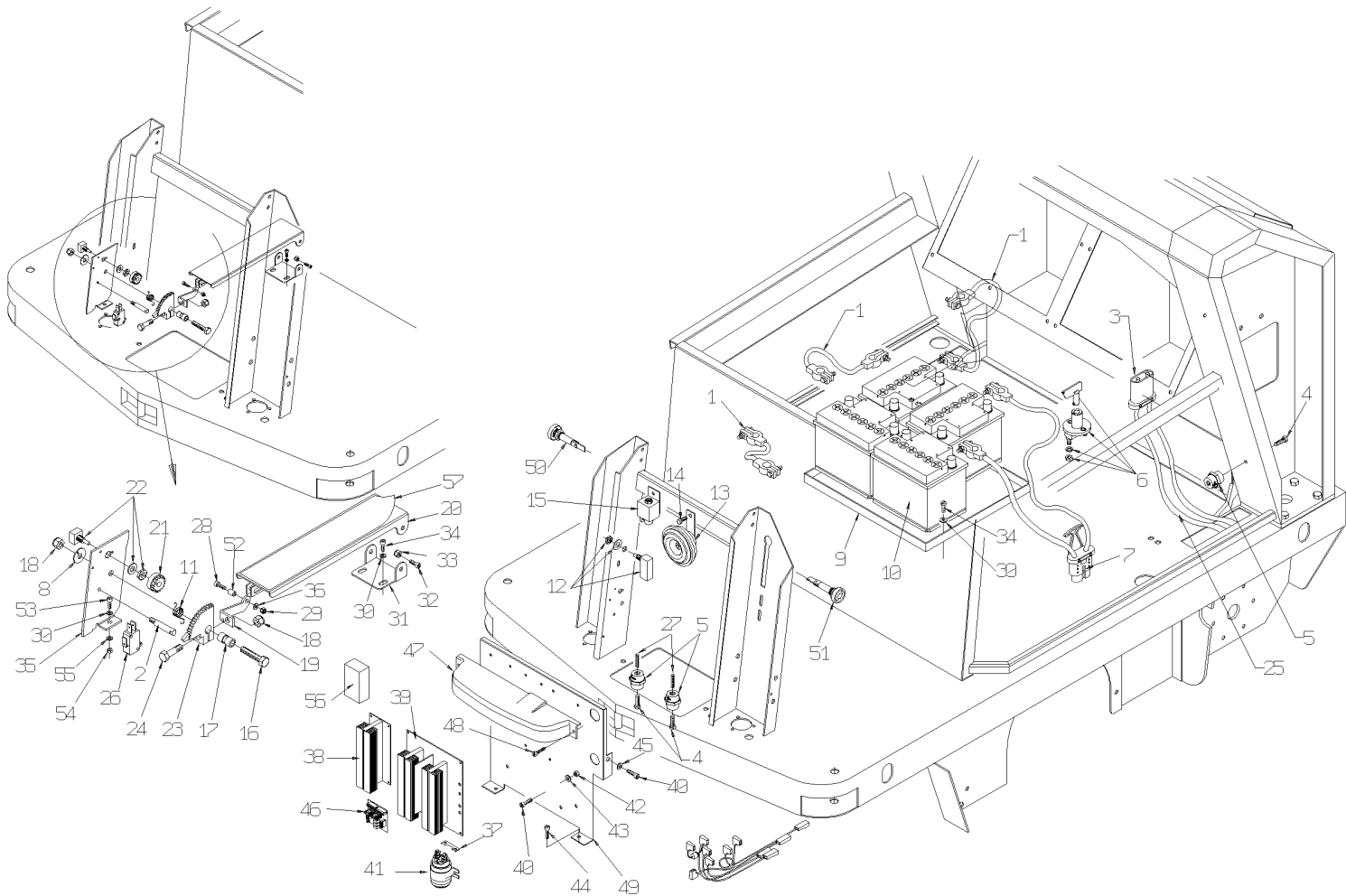




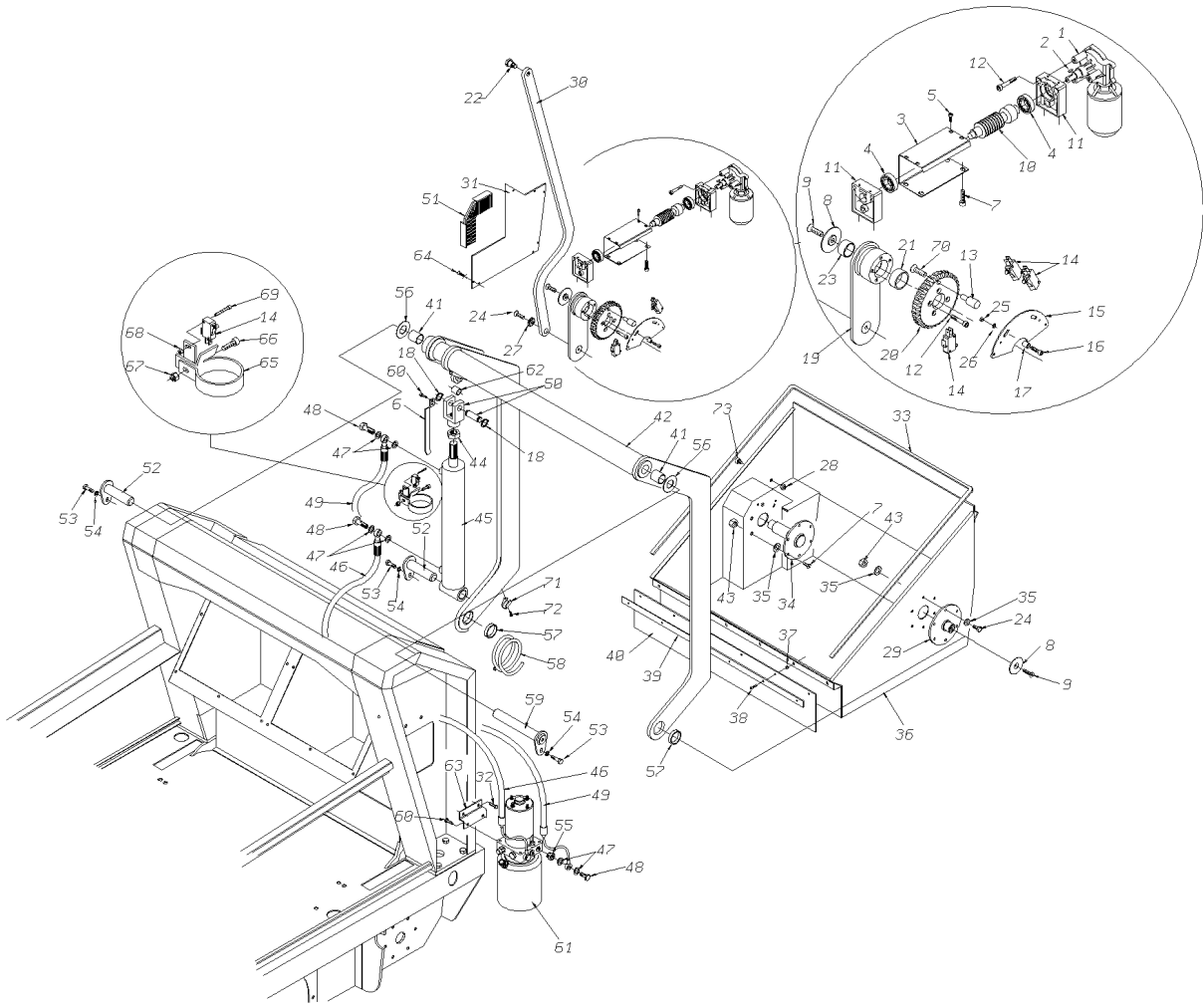
Ref. K	Part N.	Customer Part N.	Description	Qty	Validity:		Price
					From	To	
0040	LAFN47080		SCREW L.14	2,00			--
0041	VTVT00010		SCREW TE UNI 5739 8X40 ZB	2,00			--
0042	VTDD87083		NUT AUTO BLOCC M8 DIN 985 ZB	2,00			--
0043	VTRS87283		WASHER D.8X24X2,5 ZB UNI 6593	4,00			--
0044	VTVT00058		SCREW TCCE UNI 5931 5X12 ZB	2,00			--
0045	VTRS00016		WASHER UNI 6593 5X20X1,5 ZB	2,00			--
0046	LAFN47081		SPACER L.14	2,00			--



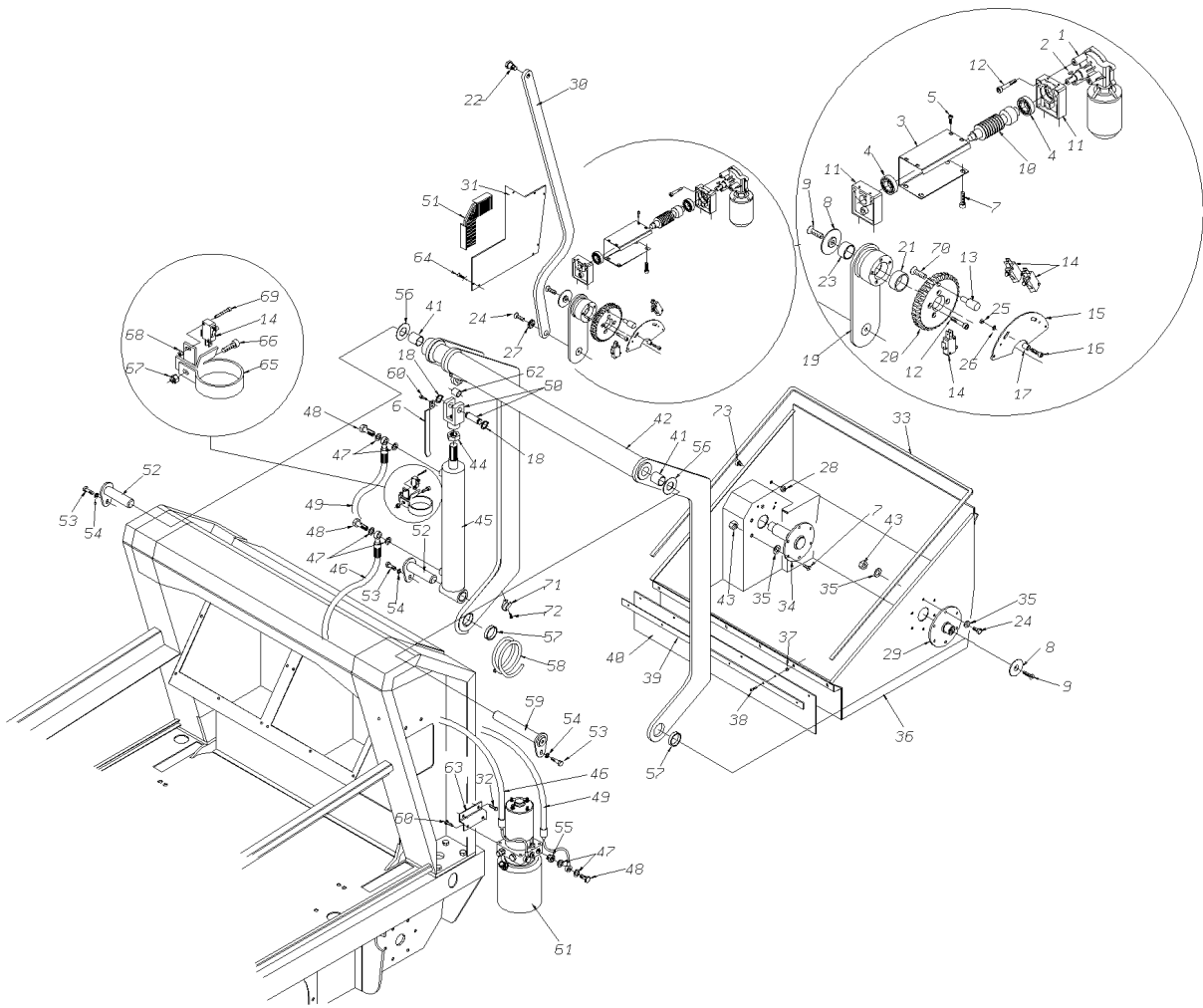
Ref. K	Part N.	Customer Part N.	Description	Qty	Validity: From To	Price
0001	MECB44778		CABLE BATT. 1X16 L.1400	3,00		--
0002	LAFN75969		PIN D.9 H.33	1,00		--
0003	MEVR44180		PLUG FT 80	1,00		--
0004	VTVT75719		SCREW TE F/ROND. M 6 X 10	4,00		--
0005	MEVR47082		INSULATOR M6 35-CH32	3,00		--
0006	AZMC75803		DIASSASS.SPANNERSW 1000	1,00		--
0007	MECB44779		WIRING INTERNO BATTERIE	1,00		--
0008	VTRS87283		WASHER D.8X24X2,5 ZB UNI 6593	1,00		--
0009	LAFN46836		BATTERY SUPPORTL.14000 TK	1,00		--
0010	BAAC00005		BATTERY 6 V 240 AH PIANA	4,00		--
0011	MLML85997		SPRING D. 2 TK1000	1,00		--
0012	MECI75801		MICROSWITCH TK	2,00		--
0013	MEVR47083		KLAXON L.14 24V	1,00		--
0014	VTVT85116		SCREW TE FR 6,3X19 ZIN	1,00		--
0015	MECE85520		SWITCH RELAY 24V 220W	1,00		--
0016	VTVT00017		SCREW TE UNI 5739 8X35 ZB	1,00		--
0017	LAFN47084		BUSHING L.14	1,00		--
0018	VTDD87083		NUT AUTO BLOCK M8 DIN 985 ZB	2,00		--
0019	LAFN47085		CONNECTING ROD L.14	1,00		--
0020	LAFN47086		PEDALE L.14	1,00		--
0021	MTIG85318		GEAR SW 1000	1,00		--
0022	MEVR47087		POTENTIOMETER L.14	1,00		--
0023	MTIG85317		GEAR SW 1000	1,00		--
0024	VTVT00016		SCREW TE UNI 5739 8X30 ZB	1,00		--
0025	MECB00012		ELECTRI.INSTAL.COMPLETO TK1400	1,00		--
0026	MEVR47087		POTENTIOMETER L.14	1,00		--
0027	VTVT47088		SCREW EI-ST 6X30 UNI5923 ZC	2,00		--
0028	VTVT19236		SCREW TCEI 5X20 UNI 5931	1,00		--
0029	VTDD00003		NUT UNI 5588 M5 ZB	1,00		--
0030	VTRS00011		WASHER UNI 6592 6X12 ZB	6,00		--
0031	LAFN47089		SUPPORT L.14 ACC.	1,00		--
0032	VTVT75725		SCREW TBEI M 6X 10 ISO 7380 ZB	2,00		--
0033	VTDD00010		NUT AUTOBLOK DIN 985 M6 BASSO	2,00		--
0034	VTVT75726		SCREW TBEI M 6X 16 ISO 7380 ZB	6,00		--
0035	LAFN47090		BRACKET SIST.ACC. L.14	1,00		--
0036	VTRS15958		WASHER D. 5 X15 UNI 6593	2,00		--
0037	MEVR00067		FUSE A BARRA 100A	1,00		--
0038	MECE44784		PCB L.1400	1,00		--
0039	MECE00012		PCB POTENZA G1300/1400 COMPL.	1,00		--



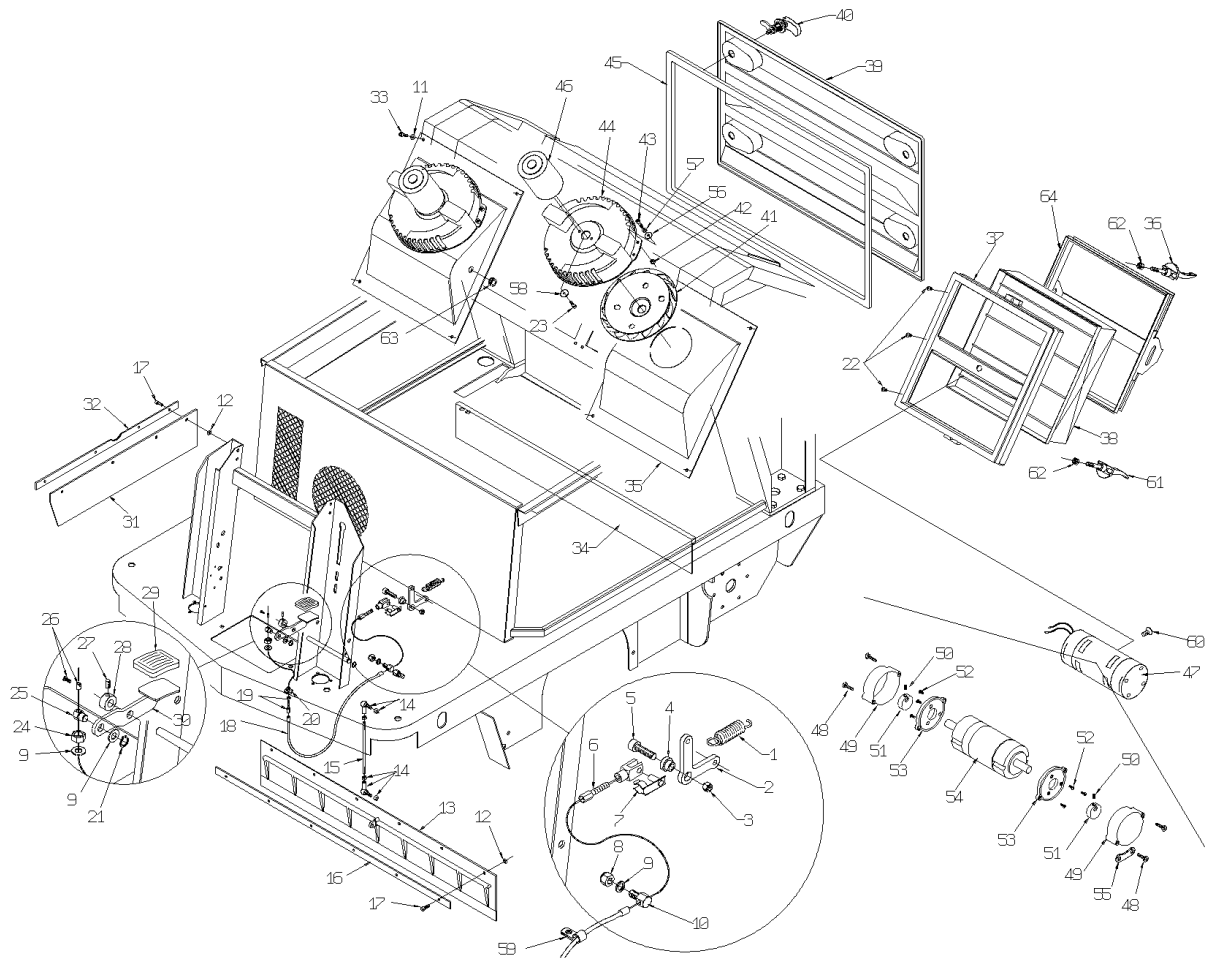
Ref. K	Part N.	Customer Part N.	Description	Qty	Validity:		Price
					From	To	
0039	MECE44785		PCB L.1400 TRACT.	1,00		01/2003	--
0040	VTVT62920		SCREW TE F/ROND. M 6X 16 ZB	4,00			--
0041	METT45116		CONTACTOR 24V T106 P	1,00			--
0042	VTDD00010		NUT AUTOBLOK DIN 985 M6 BASSO	5,00			--
0043	VTRS63242		WASHER D. 6 X24 ZC	1,00			--
0044	VTVT75719		SCREW TE F/ROND. M 6 X 10	1,00			--
0045	VTRS86634		WASHER 6X18X1,5 UNI6593	1,00			--
0046	MECE45124		PCB RELE' L.1400	1,00			--
0047	MPVR45718		COVER L.14	1,00			--
0048	VTVT00098		SCREW AUTOF.TC UNI 6954 3,9X9,5	6,00			--
0049	LAFN45988		PLATE L.14	1,00			--
0050	MECI00028		BUTTON DI EMERGENZA TK1400 24V	1,00			--
0051	MECI45121		SWITCH D.22 RS.	1,00			--
0052	LAFN47091		BUSHING L.14 ACC.	1,00			--
0053	VTVT62920		SCREW TE F/ROND. M 6X 16 ZB	1,00			--
0054	VTDD00004		NUT UNI 5588 M6 ZB	1,00			--
0055	VTRS00011		WASHER UNI 6592 6X12 ZB	1,00			--
0056	MECI00005		RELAY 24V 10/20A	1,00			--
0057	MPVR47092		PLANE L.14	1,00			--



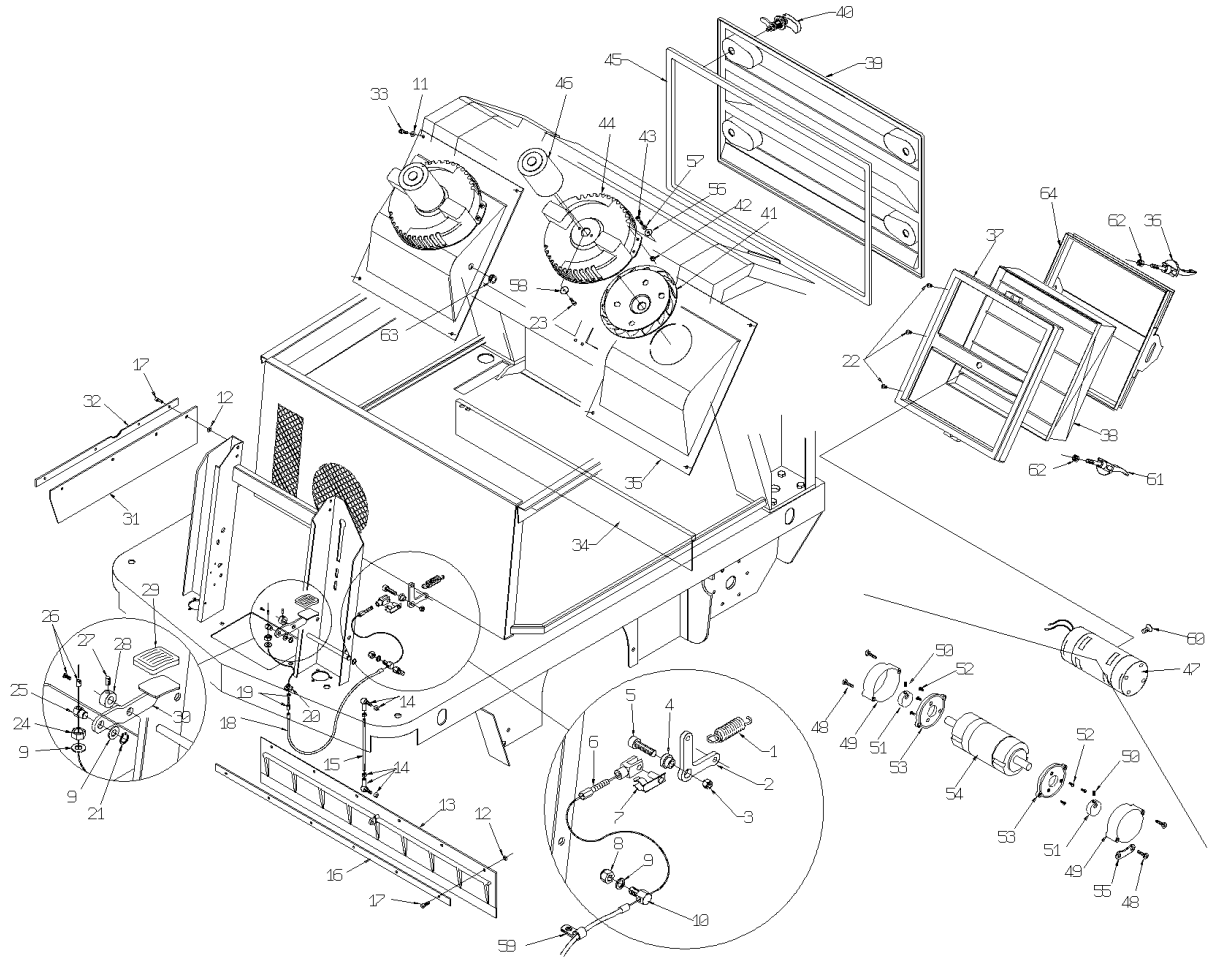
Ref. K	Part N.	Customer Part N.	Description	Qty	Validity: From To	Price
0001	RDGR31335		MOTOR.GEARBOX L. 70TE	1,00	--	--
0002	VTVR75730		KEY UNI 6606 3 X 3,7	1,00	--	--
0003	LAFN45321		COVER L.14	1,00	--	--
0004	CUVR75813		BEARING 6002RS	2,00	--	--
0005	VTVT00098		SCREW AUTOF.TC UNI 6954 3,9X9,5	4,00	--	--
0006	LAFN47093		ECCENTRIC CAM L.14	1,00	--	--
0007	VTVT62920		SCREW TE F/ROND. M 6X 16 ZB	10,00	--	--
0008	LAFN47094		SPACER L.14	2,00	--	--
0009	VTVT45340		SCREW TSPEI 8X16 UNI5933	2,00	--	--
0010	MTIG45320		TOOTHED WHEEL L.14	1,00	--	--
0011	LAFN45319		SUPPORT L.14	2,00	--	--
0012	VTVT06237		SCREW TCEI 6X20 UNI5931	7,00	--	--
0013	LAFN45233		PAWL TK1400	1,00	--	--
0014	MECI44780		MICROSWITCH D2VW-5L2A-1M OMR	4,00	--	--
0015	LAFN45283		PLATE TK1400	1,00	--	--
0016	VTVT19236		SCREW TCEI 5X20 UNI 5931	2,00	--	--
0017	LAFN47095		SPACER D. 6-10 L= 8	2,00	--	--
0018	VTAE17003		CIRCLIP D. 15 UNI 7435	2,00	--	--
0019	LAFN47096		CONNECTING ROD L.14 CASS.	1,00	--	--
0020	MTCR46479		TOOTHED WHEEL L.14 EL.	1,00	--	--
0021	MPVR47097		BUSHING D. 30X34X15 GLYC.	1,00	--	--
0022	LAFN47098		PIN L.14 PARALL.	1,00	--	--
0023	MPVR00006		BUSHING GLYCODUR GLY.PG 25-28-15F	1,00	--	--
0024	VTVT62920		SCREW TE F/ROND. M 6X 16 ZB	6,00	--	--
0025	VTDD00017		NUT AUTOBLOK DIN 985 M5	2,00	--	--
0026	VTRS00010		WASHER UNI 6592 5X10 ZB	4,00	--	--
0027	LAFN47099		SPACER L.14	1,00	--	--
0028	VTDD87083		NUT AUTO BLOCK M8 DIN 985 ZB	2,00	--	--
0029	LAFN47100		PIN L.14 SX	1,00	--	--
0030	LAFN47101		ARM L.14	1,00	--	--
0031	LAFN45284		BOX COVER TK1400	1,00	--	--
0032	VTVT75719		SCREW TE F/ROND. M 6 X 10	2,00	--	--
0033	GUVR45103		GASKET TK1400	1,00	--	--
0034	LAFN47102		PIN L.14 DX	1,00	--	--
0035	VTRS00011		WASHER UNI 6592 6X12 ZB	18,00	--	--
0036	LAFN47103		DRAWER L.14	1,00	--	--
0037	VTVR47015		INSERT PLS. D.3	6,00	--	--
0038	VTVT00106		SCREW AUTOFIL. TC 3,5X14,5	6,00	--	--
0039	LAFN47104		HOSE CLIP L.14	1,00	--	--



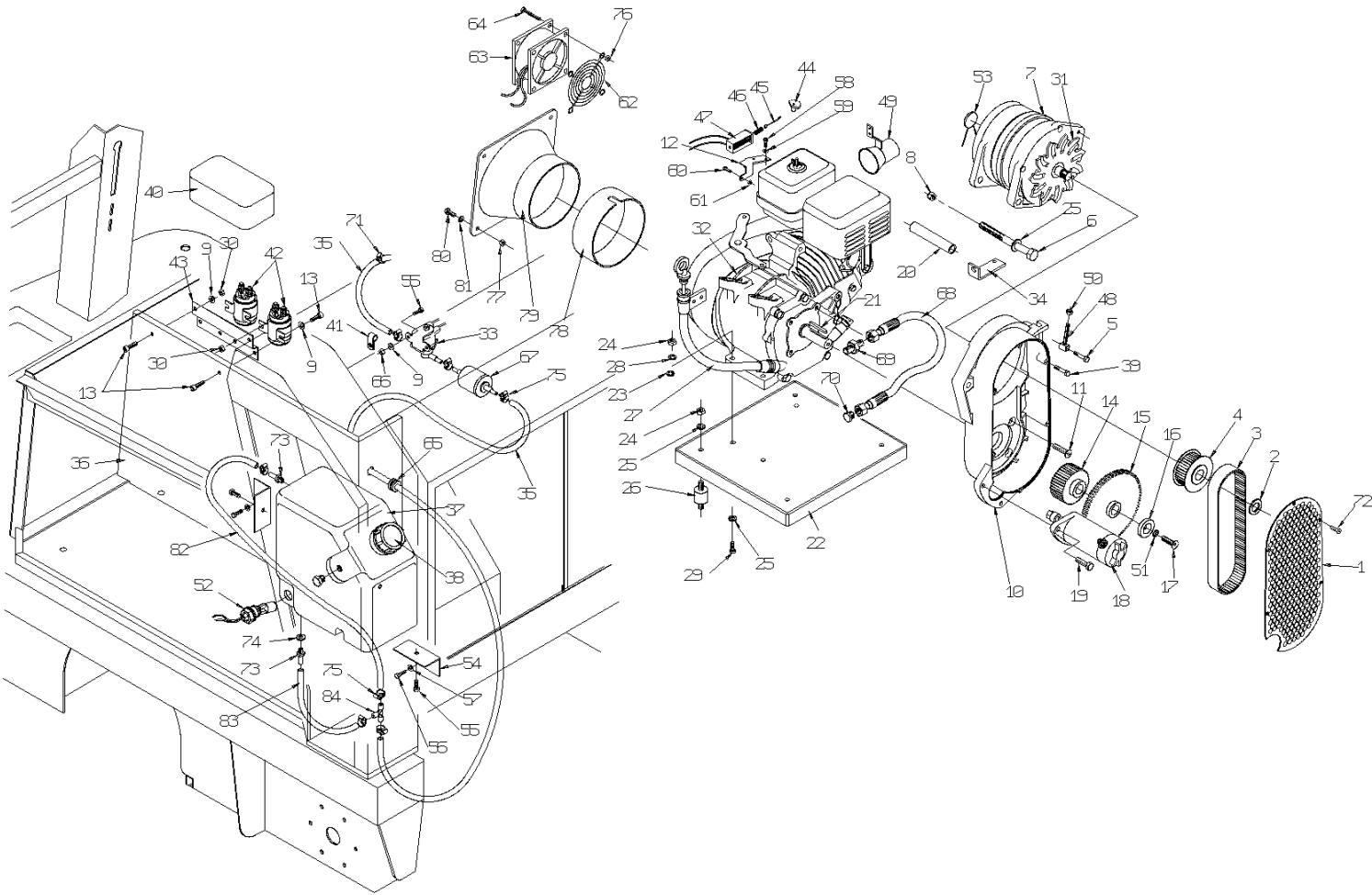
Ref.	K	Part N.	Customer Part N.	Description	Qty	Validity:		Price
						From	To	
0040		MPVR45104		RUBBER FLAP L.1400	1,00			--
0041		MPVR47105		BUSHING D. 25X28X25 GLYC.	2,00			--
0042		LAFN47106		ARM L.14	1,00			--
0043		VTDD00010		NUT AUTOBLOK DIN 985 M6 BASSO	12,00			--
0044		VTDD46131		NUT M20 ZC UNI 5589 PG	1,00			--
0045		PIID45105		PISTON D.50 ST25	1,00			--
0046		TBAP45106		HOSE-FITTING 3/16 L.14	1,00			--
0047		VTRS00037		WASHER IN DAWTY 1/8	8,00			--
0048		RCDS47107		SCREW G 1/8	4,00			--
0049		TBAP45107		HOSE-FITTING 3/16 L.14	1,00			--
0050		CMCV47108		FORK M20 X15 +PN.	1,00			--
0051		LAFN01089		PROTECTION ANTIPOLVERE TK1400	1,00			--
0052		LAFN47110		PIN L.14 DX	2,00			--
0053		VTVT09916		SCREW TBEI M 6X 20 ISO 7380 ZB	3,00			--
0054		VTRS63242		WASHER D. 6 X24 ZC	3,00			--
0055		RCVR00081		REDUCTION X CENTRALINA IDRAUL.1400	2,00			--
0056		VTRS47111		WASHER D.25 X50 X1.5 PVC	2,00			--
0057		LAFN47123		BUSHING L.14	2,00			--
0058		MPVR45285		SHEATH TK1400	1,00			--
0059		LAFN47124		PIN L.14 SX	1,00			--
0060		VTVT17639		SCREW TCEI M 5X10 UNI 5931	4,00			--
0061		PPEL45108		MOTOR-DRIV.PUMPIDR. 24V L.14	1,00			--
0062		MPVR47125		BUSHING D. 16X18X20 GLYC.	1,00			--
0063		LAFN47126		SUPPORT BRACKETL.14	1,00			--
0064		VTVT00099		SCREW AUTOF.TC UNI 6954 3,9X13	4,00			--
0065		LAFN47127		SUPPORT MICRO.L.14	1,00			--
0066		VTVT09916		SCREW TBEI M 6X 20 ISO 7380 ZB	1,00			--
0067		VTDD19688		NUT M6 UNI 7473	1,00			--
0068		VTDD00001		NUT UNI 5588 M3 ZB	6,00			--
0069		VTVT00019		SCREW TE UNI 5739 3X20 ZB	4,00			--
0070		VTVT00062		SCREW TSCE UNI 5933 6X25 ZB	1,00			--
0071		LAFN45717		PLATE L.14	1,00			--
0072		VTVT00089		SCREW TCCE UNI 5931 4X10 ZB	1,00			--
0073		VTVT19472		SCREW TCEI M 8X10 UNI 5931	2,00			--



Ref. K	Part N.	Customer Part N.	Description	Qty	Validity:		Price
					From	To	
0001	MLML45109		SPRING TR D. 12X1.7X79.5	1,00			--
0002	LAFN47128		LEVER L.14	1,00			--
0003	VTDD87083		NUT AUTO BLOCK M8 DIN 985 ZB	1,00			--
0004	LAFN47129		BUSHING L.14 A.FLAP	1,00			--
0005	VTVT00016		SCREW TE UNI 5739 8X30 ZB	1,00			--
0006	CMCV87172		CABLE ALZA FLAP 2125404	1,00			--
0007	CMCV75717		CLIP UNI 1676 M6	3,00			--
0008	VTDD00012		NUT AUTOBLOK DIN 985 M12 ZB	1,00			--
0009	VTRS86510		WASHER 15X24 UNI6592	4,00			--
0010	LAFN75976		SPRING GUIDE TK 1000	1,00			--
0011	VTRS86634		WASHER 6X18X1,5 UNI6593	8,00			--
0012	VTVR47015		INSERT PLS. D.3	10,00			--
0013	MPVR00744		FLAP ANTER.REGOLABILE TK1400	1,00			--
0013	MPVR44781		RUBBER FLAP L.1400 RG.	1,00			--
0014	CMCV76639		FORK M 6 UNI 1676	2,00			--
0015	LAFN47130		PIN L.14 A.FLAP	1,00			--
0016	LAFN47131		SHEET METAL PA.FLAP ANTERIORE	1,00			--
0017	VTVT00106		SCREW AUTOFIL. TC 3,5X14,5	10,00			--
0018	CMCV47132		SHEATH L.14 A.FLAP	1,00			--
0019	CMCV75723		REGISTER D.7	1,00			--
0020	LAFN75975		PIN TK	1,00			--
0021	VTAE14016		CIRCLIP D. 12 UNI 7435	1,00			--
0022	VTVT75732		SCREW TSCE UNI 5933 6 X 16	8,00			--
0023	VTVT14062		SCREW TE 5X16 UNI5739	4,00			--
0024	VTDD00007		NUT UNI 5588 M12 ZB	1,00			--
0025	LAFN75973		PIN FLAP TK	1,00			--
0026	CMCV47134		CLAMP VL D.7 A.C7035	1,00		04/2003	--
0026	VTVR00028		CLAMP PER CASSETTO G1300	1,00	04/2003		--
0027	VTVT75731		SCREW UNI 5923 6 X5	4,00			--
0028	LAFN47030		BUSHING L.14	1,00			--
0029	MPVR45096		RUBBER V 1201 GR.	1,00			--
0030	LAFN47133		PEDALE L.14 FLAP	1,00			--
0031	MPVR44782		RUBBER L.1400 DX-SX	1,00			--
0032	LAFN47046		HOSE CLIP L.14 LT.	1,00			--
0033	VTVT09916		SCREW TBEI M 6X 20 ISO 7380 ZB	8,00			--
0034	MPVR45327		RUBBER L.1400 PST	1,00			--
0035	MPVR47135		PANEL L.14 VT.	2,00			--
0036	PMVR00217		HANDLE BLOCCAGGIO FILTRO TK1400	2,00			--
0037	LAFN47137		FRAME PORTA FILTRO	2,00			--

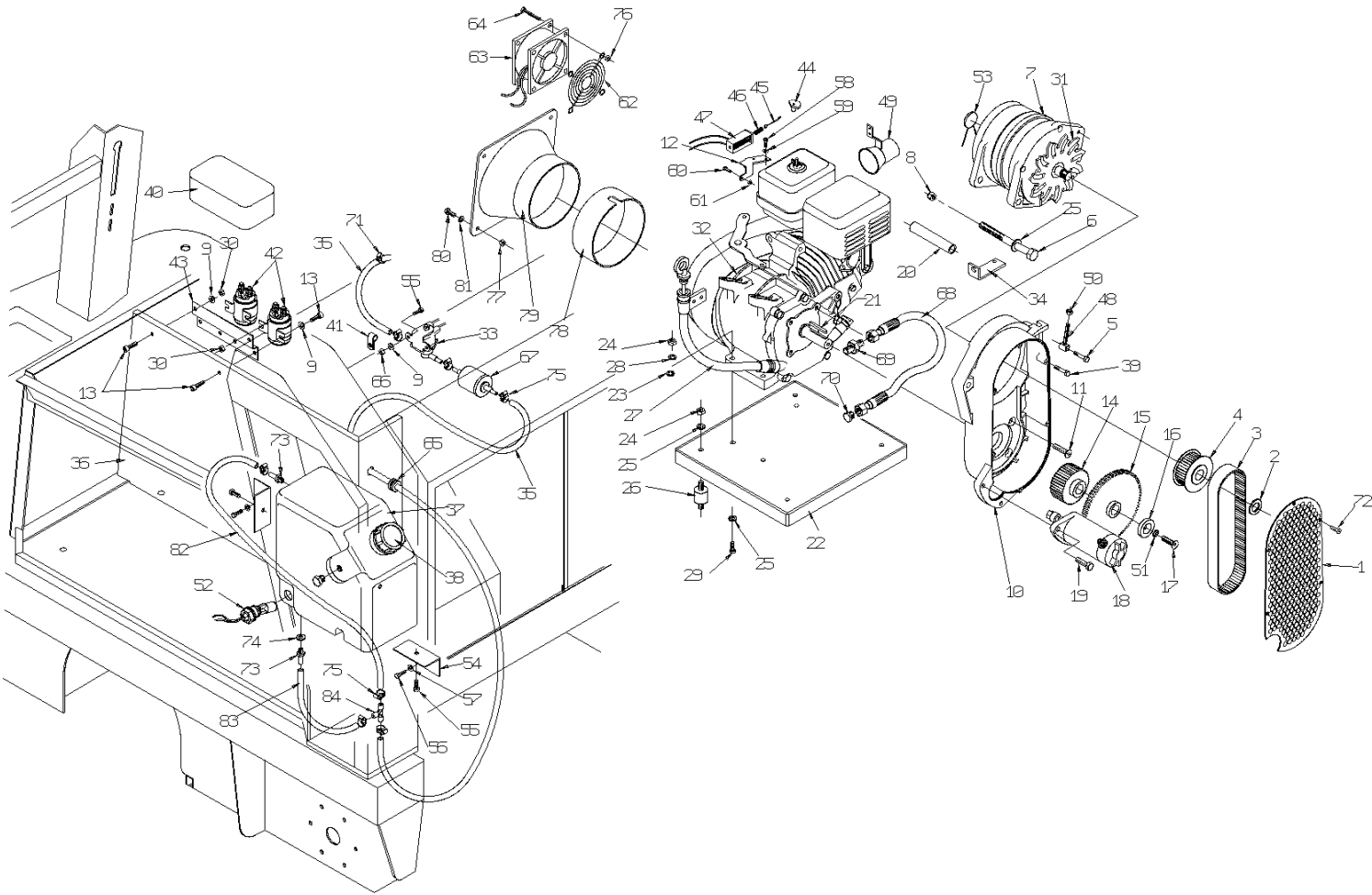


Ref. K	Part N.	Customer Part N.	Description	Qty	Validity:		Price
					From	To	
0038	FTDP43838		FILTER L.14000 CAR.	2,00		07/2003	--
0038	FTDP48536		FILTER L.14000 CAR. 2V.	2,00	07/2003		--
0039	MPVR45784		COVER CHIUSURA FILTRO	1,00			--
0040	KTRI00025		LOCK TEK COMPLETA	4,00			--
0041	VEVR26677		IMPELLER D.200 L.50HE	2,00			--
0042	VTDD00010		NUT AUTOBLOK DIN 985 M6 BASSO	8,00			--
0043	VTVT09916		SCREW TBEI M 6X 20 ISO 7380 ZB	8,00			--
0044	MPVR44865		CRANKCASE L.14000	2,00			--
0045	GUVR46899		GASKET COPERCHIO	1,00			--
0046	MOCC45111		MOTOR D.77 24V	2,00			--
0047	PMQE00001		MOTOR SCUOTIF.ELETTR.COMPL. 24V	2,00			--
0048	VTVT47138		SCREW TSP-TC 3,9X32 ZC. UNI6955	8,00			--
0049	LAFN47139		MOTOR COVER L.14 FILT.	4,00			--
0050	VTVT75731		SCREW UNI 5923 6 X5	4,00			--
0051	LAFN47140		BUSHING L.14	4,00			--
0052	VTVT76616		SCREW M 4x18 STEAM GUN	12,00			--
0053	MFVR47141		FLANGE MOTOR L.14	4,00			--
0054	MOCC00004		MOTOR D.63 24V G3800 W35	2,00			--
0055	MPVR00765		RUBBER FISSAGGIO FILO SCUOTIFIL.	2,00			--
0056	VTRS86634		WASHER 6X18X1,5 UNI6593	8,00			--
0057	VTRS00011		WASHER UNI 6592 6X12 ZB	8,00			--
0058	VTRS00016		WASHER UNI 6593 5X20X1,5 ZB	4,00			--
0059	FSVR00005		CLAMP TIPO "ECO"FORO MM8 D.1 W0	1,00			--
0060	VTVT47143		SCREW TSPEI M 10X 16 ZC UNI5933	2,00			--
0061	PMVR00217		HANDLE BLOCCAGGIO FILTRO TK1400	2,00	07/2003		--
0061	PMVR00220		HANDLE BLOCC.FILTRO COMPL.TK1400	2,00		07/2003	--
0062	VTDD13261		NUT M 8X1 UNI 5589	4,00			--
0063	MEVR00119		RUBBER PASSACAVO 15X8X10	2,00			--
0064	LAFN01031		FRAME FISSA FILTRO	2,00	07/2003		--

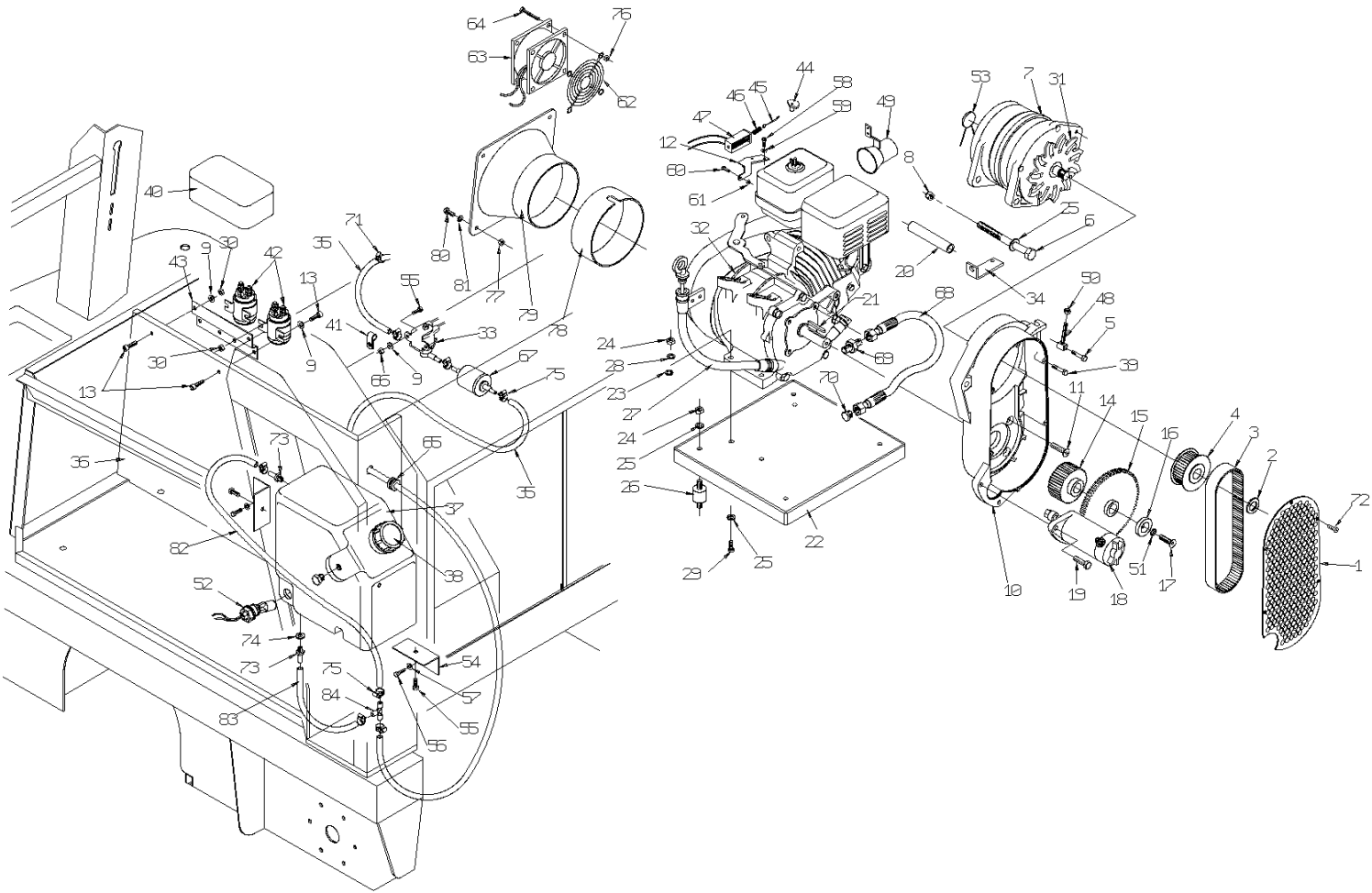


Ref. K	Part N.	Customer Part N.	Description	Qty	Validity:		Price
					From	To	
0001	LAFN47152		BRACKET PROTEZIONE	1,00			--
0002	LAFN00271		NUT FISSA PULEGGIA ALTERNA.	1,00			--
0003	MTCG44555		BELT HTD 565-5M 25	1,00			--
0004	MTPL45322		PULLEY HTD 40-5M 25 6F TK14	1,00			--
0005	VTVT00453		SCREW TE 8X60 UNI5739	1,00			--
0006	VTVT16260		SCREW TE M 10X160 UNI 5737 ZC	1,00			--
0007	ARGN45114		ALTERNATOR 80 A 28V	1,00			--
0008	VTDD00011		NUT AUTOBLOK DIN 985 M10	2,00			--
0009	VTRS00011		WASHER UNI 6592 6X12 ZB	2,00			--
0010	MFVR47154		CRANKCASE L.14	1,00			--
0011	VTVT00057		SCREW TSCE UNI 5933 8X25 ZB	4,00			--
0012	LAFN47155		BRACKET L.14	1,00			--
0013	VTVT62920		SCREW TE F/ROND. M 6X 16 ZB	4,00			--
0014	MTPL45323		PULLEY L.14 6.5HP	1,00			--
0015	MTCR45720		TOOTHED WHEEL Z. 80 P 1.75	1,00			--
0016	LAFN47156		FLANGE L.14	1,00			--
0017	VTVT00108		SCREW TSCE UNI 5933 8X25 A.10.9	1,00			--
0018	MOCC45115		MOTOR 24V 300W SX	1,00			--
0019	VTVT01119		SCREW TCEI 8X20 UNI5931	2,00			--
0020	LAFN47157		SPACER L.14	1,00			--
0021	VTVR47158		KEY 5X 5X41 UNI 6604	1,00			--
0022	LAFN47159		MOTOR PLATE L.14	1,00			--
0023	VTRS76640		WASHER 8 X 17	8,00			--
0024	VTDD87083		NUT AUTO BLOCK M8 DIN 985 ZB	10,00			--
0025	VTRS87283		WASHER D.8X24X2,5 ZB UNI 6593	8,00			--
0026	ABGO00007		VIBRATION DAMP.MM 30X25 8X16	4,00			--
0027	MPVR00074		ROD LIVELLO OLIO GX270	1,00			--
0028	VTRS00020		WASHER GOWER UNI 1751 UNI 1751	4,00			--
0029	VTVT00010		SCREW TE UNI 5739 8X40 ZB	4,00			--
0030	VTDD00010		NUT AUTOBLOK DIN 985 M6 BASSO	2,00			--
0031	VEVR47160		IMPELLER ALTER. A.OR.	1,00			--
0032	MOSC47149		ENGINE MOTOR HONDA GX200 QM- 4-OH	1,00			--
0033	MEEV47161		SOLENOID VALVE FUEL	1,00			--
0034	LAFN00787		BRACKET X TUBO LIVELLO OLIO 1400	1,00			--
0035	TBBP00021		TUBE COMBUSTUBILE L=80 cm	1,00		07/2003	--
0036	LAFN47163		PANEL L.14 MT.	1,00			--
0037	MPVR47164		TANK L.14 5LT	1,00			--
0038	MPVR47165		TANK CAP C/VALV.	1,00			--
0039	VTVT00451		SCREW TE M 8X 45 UNI 5739 ZC	2,00			--

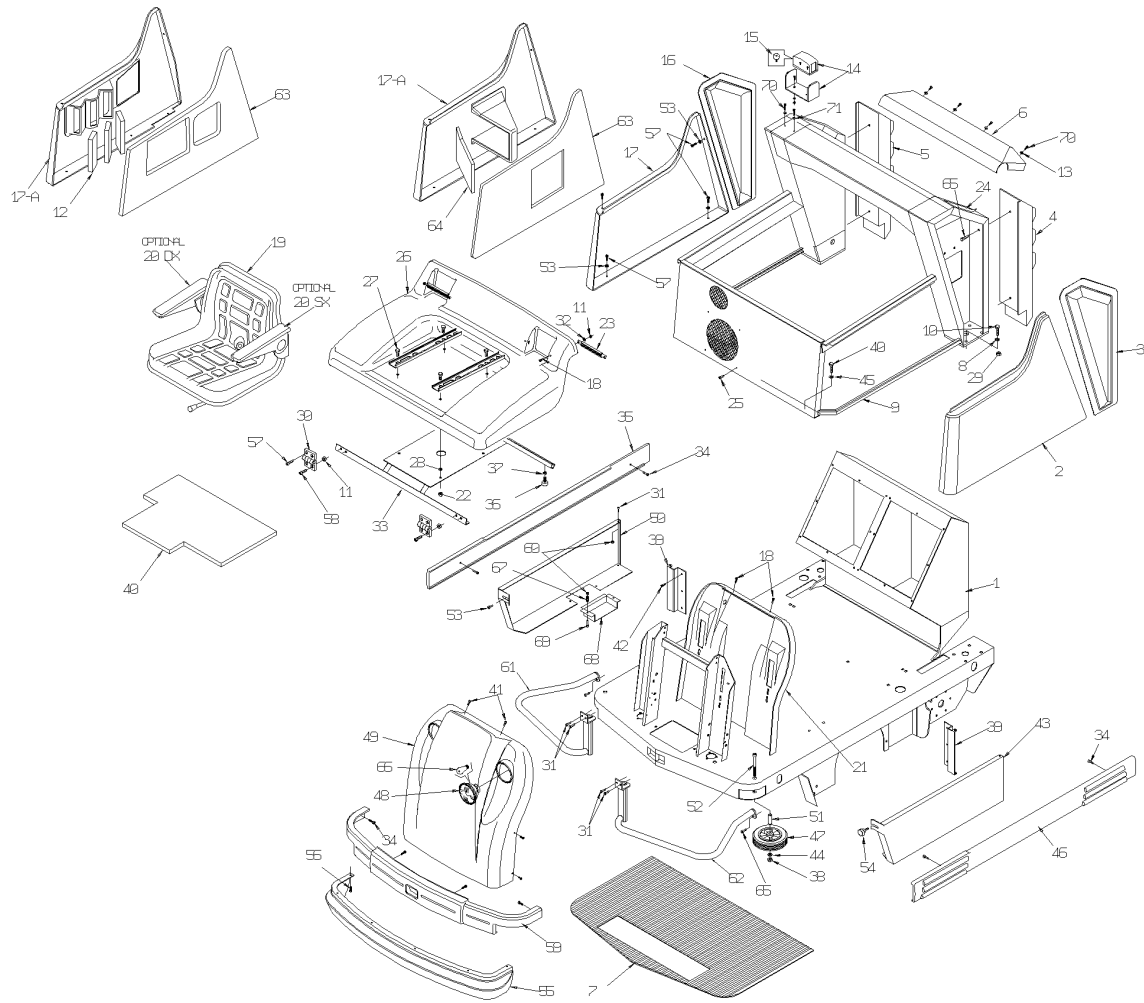




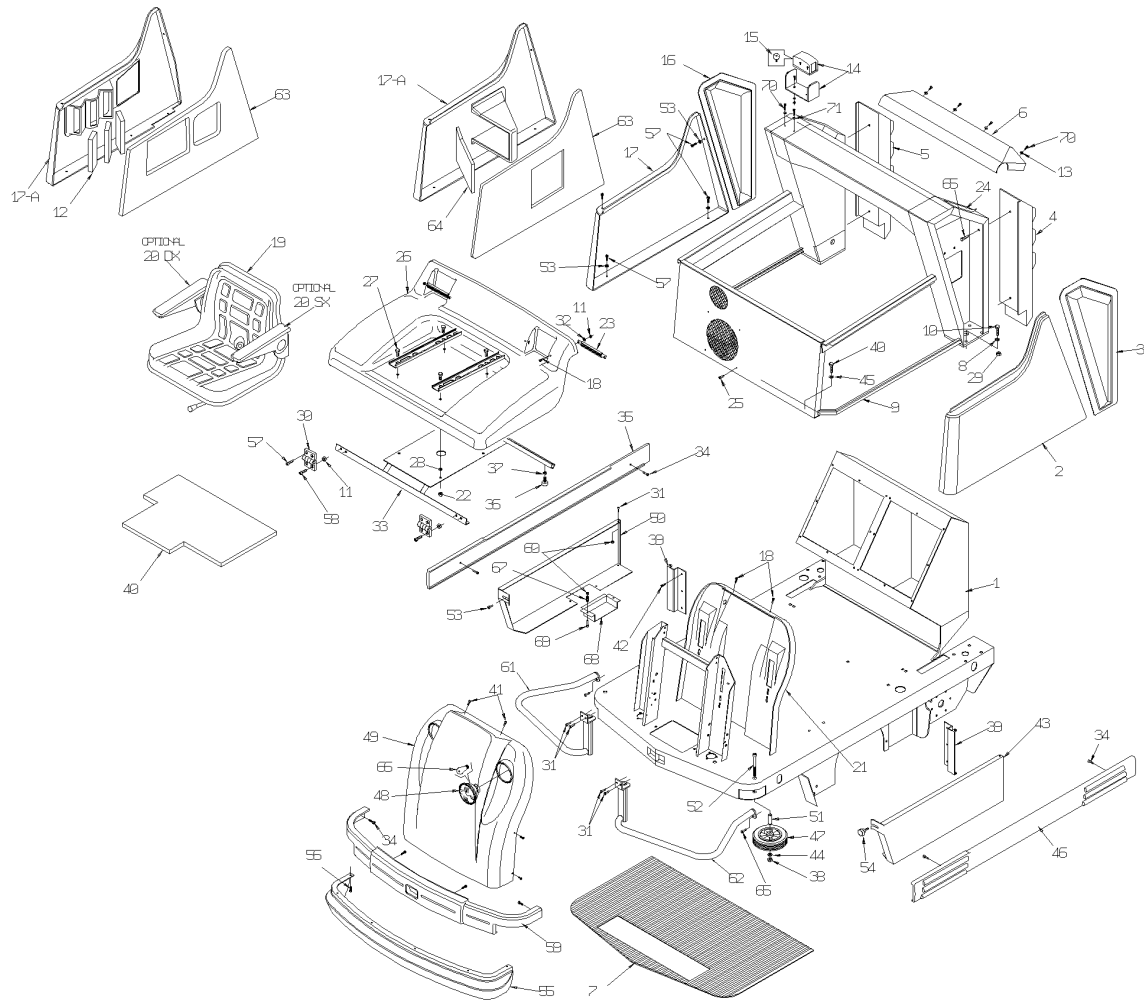
Ref. K	Part N.	Customer Part N.	Description	Qty	Validity:		Price
					From	To	
0040	MPVR47166		PROTECTION L.14 TLR.	1,00			--
0041	FSVR00005		CLAMP TIPO "ECO"FORO MM8 D.1 W0	5,00			--
0042	METT45116		CONTACTOR 24V T106 P	2,00			--
0043	LAFN47167		BRACKET L.14	1,00			--
0044	MEVR45117		BALANCER L.14	1,00			--
0045	MEVR45118		CONNECTING ROD L.14	1,00			--
0046	MLML45119		SPRING L.14	1,00			--
0047	MEVR45120		SOLENOID K9B-36DL-1041	1,00			--
0048	LAFN47168		BELT-STRETCHER L.14	1,00			--
0049	LAFN47169		EXTENSION L.14 SC.	1,00			--
0050	VTDD19688		NUT M6 UNI 7473	1,00			--
0051	VTRS63307		WASHER D. 8 D.E.	1,00			--
0053	METK47170		PROBE F11-140° NC	1,00			--
0054	LAFN47171		BRACKET L.14 TANK.	2,00			--
0055	VTVT75719		SCREW TE F/ROND. M 6 X 10	2,00			--
0056	VTVT17639		SCREW TCEI M 5X10 UNI 5931	2,00			--
0057	VTRS15958		WASHER D. 5 X15 UNI 6593	2,00			--
0058	VTVT10068		SCREW TC -TC 3X 6 UNI 7687	2,00			--
0059	VTRS27296		WASHER GROWER 3 ZNT	2,00			--
0060	VTVT00107		SCREW TCTC UNI 7687 3X12 ZB	1,00			--
0061	VTDD00001		NUT UNI 5588 M3 ZB	1,00			--
0062	LAFN00009		BRACKET PROTEZIONE	1,00			--
0063	VEVR45113		VENTILATOR 24V RF.	1,00			--
0064	VTVT72043		SCREW M 4 X16 TC UNI7687	8,00			--
0065	MEVR00094		FAIR-LEAD EGP15-20S.60 PAS1	1,00			--
0066	VTDD00004		NUT UNI 5588 M6 ZB	2,00			--
0067	FTCO00001		FILTER CARBURANTE TK1400	1,00			--
0068	TBBP47172		L.P. HOSE L=300 1/4F -1/4F 0°	1,00			--
0069	RCDS47173		NIPPLE 1/4 -M10X1.25	1,00			--
0070	RCDS00002		CAP 1/4"	1,00			--
0071	FSVR19693		CLAMP D. 7-11	1,00			--
0072	VTVT00005		SCREW TE FR 5X12 ZB	5,00			--
0073	LAFN01091		HOSE FITTING SERBATOIO CARBURANTE 1400	2,00			--
0074	GUVR47174		GASKET L.14	2,00			--
0075	FSVR19692		CLAMP D. 11-16 VT	9,00			--
0076	VTDD00009		NUT AUTOBLOK DIN 985 M4 BASSO	8,00			--
0077	VTDD00010		NUT AUTOBLOK DIN 985 M6 BASSO	4,00			--
0078	GUVR45977		GASKET L.14	1,00			--
0079	LAFN45978		CONVEYOR L.14	1,00			--



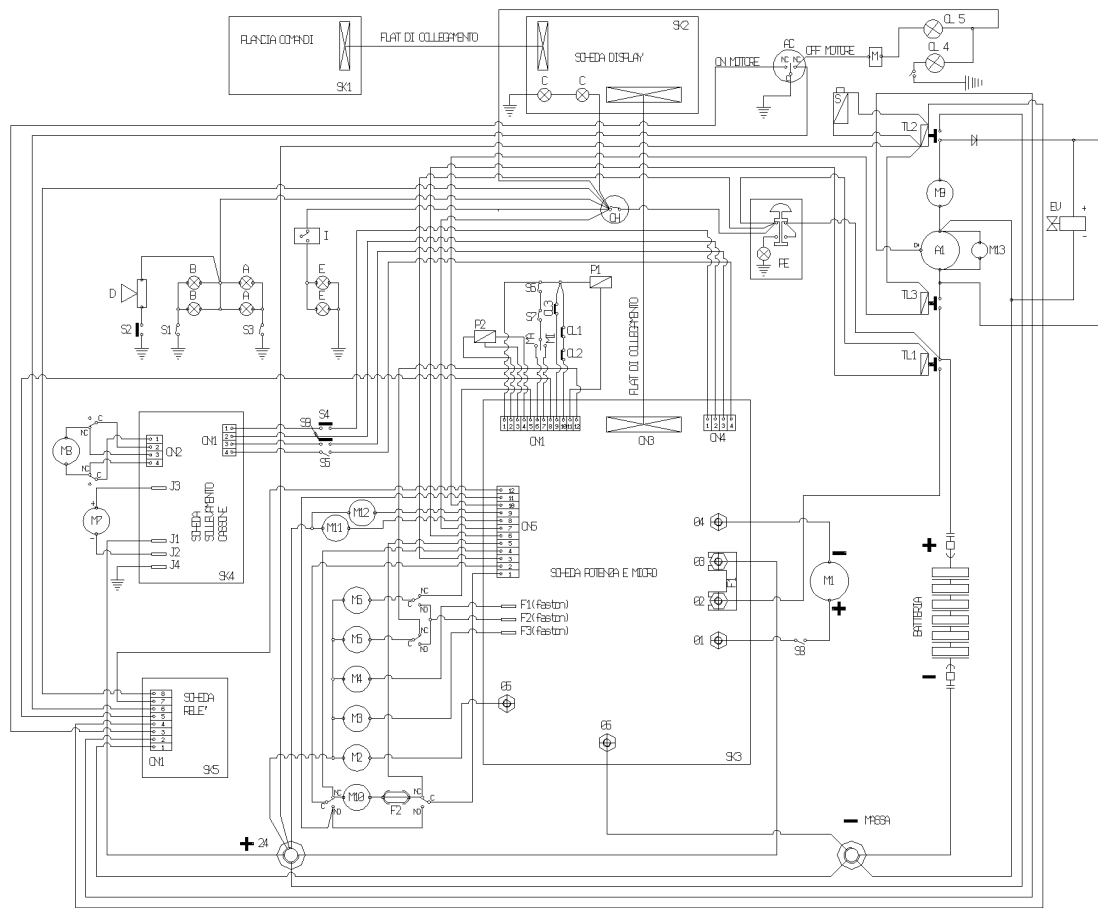
Ref. K	Part N.	Customer Part N.	Description	Qty	Validity:		Price
					From	To	
0080	VTVT75726		SCREW TBEI M 6X 16 ISO 7380 ZB	4,00			--
0081	VTRS86634		WASHER 6X18X1,5 UNI6593	4,00			--
0082	TBBP00022		TUBE COMBUSTIBILE L=50cm	1,00	07/2003		--
0083	TBBP00022		TUBE COMBUSTIBILE L=50cm	1,00	07/2003		--
0084	RCVR00083		CONNECTOR A "T"	1,00	07/2003		--



Ref.	K	Part N.	Customer Part N.	Description	Qty	Validity:		Price
						From	To	
0001		LAFN45969		BODY LION 14000	1,00			--
0002		PMLA00003		BODY SIDE LAT.SX COMPL.TK1400 GRIG.	1,00			--
0003		MPVR00234		UPRIGHT SPALLA SX	1,00			--
0004		MPVR00229		BUMPER POSTERIORE SX TK1400	1,00			--
0005		MPVR00227		BUMPER POSTERIORE DX TK1400	1,00			--
0006		PMLA00005		CRANKCASE SUPERIORE VENTIL.TK1400	1,00			--
0007		MPVR45975		PLANE L.14	1,00			--
0008		VTRS00012		WASHER UNI 6592 10X21 ZB	8,00			--
0009		LAFN45976		SUPPORT L.14	1,00			--
0010		VTVT01535		SCREW TCEI M10X 40 UNI 5931 ZB	8,00			--
0011		VTDD00010		NUT AUTOBLOK DIN 985 M6 BASSO	6,00			--
0013		VTRS00027		WASHER DENTATA UNI 8841 D.6	4,00			--
0014		KTRI00103		LAMP FLASH 24V ORANGE	2,00			--
0015		MELF33431		LAMP 24 V 21 W	2,00			--
0016		MPVR00235		UPRIGHT SPALLA DX	1,00			--
0018		VTVT75726		SCREW TBEI M 6X 16 ISO 7380 ZB	6,00			--
0019		SESD45981		SEAT SC 73 L.14	1,00			--
0020		SESD00001		KIT BRACCIOLO DX	1,00			--
0020		SESD00002		KIT BRACCIOLO SX	1,00			--
0021		MPVR00231		CRANKCASE FRONTALE INT.TK1400+TASCA	1,00			--
0022		VTDD87083		NUT AUTO BLOCK M8 DIN 985 ZB	4,00			--
0023		KTRI01632		HANDLE COFANO PORTASEDILE	2,00	04/2005		--
0023		PMVR00145		HANDLE CASSETTO ANT.SILVER COMPL	2,00		04/2005	--
0024		ETET00100		LABEL ADESIVA BENZINA VERDE	1,00			--
0025		VTVT09916		SCREW TBEI M 6X 20 ISO 7380 ZB	8,00			--
0026		MPVR00245		HOOD SUPERIORE TK1400 GRIGIO	1,00			--
0027		VTVT00015		SCREW TE UNI 5739 8X25 ZB	4,00			--
0028		VTRS87283		WASHER D.8X24X2,5 ZB UNI 6593	8,00			--
0029		VTDD00011		NUT AUTOBLOK DIN 985 M10	8,00			--
0030		CEVR85332		HINGE MEB F D.6 TK	2,00			--
0031		VTVT62920		SCREW TE F/ROND. M 6X 16 ZB	9,00			--
0032		VTRS00011		WASHER UNI 6592 6X12 ZB	8,00			--
0033		LAFN45984		FRAME L.14	1,00			--
0034		VTVT00074		SCREW TCCE UNI 5931 8X16 ZB	4,00			--
0035		MPVR00225		BUMPER LATERALE DX TK1400	1,00			--
0036		ABGO00008		VIBRATION DAMP.PM 20X20 M6X20	2,00			--
0037		VTDD00004		NUT UNI 5588 M6 ZB	2,00			--
0038		VTDD00011		NUT AUTOBLOK DIN 985 M10	2,00			--
0039		CEVR45986		HINGE L.14	2,00			--

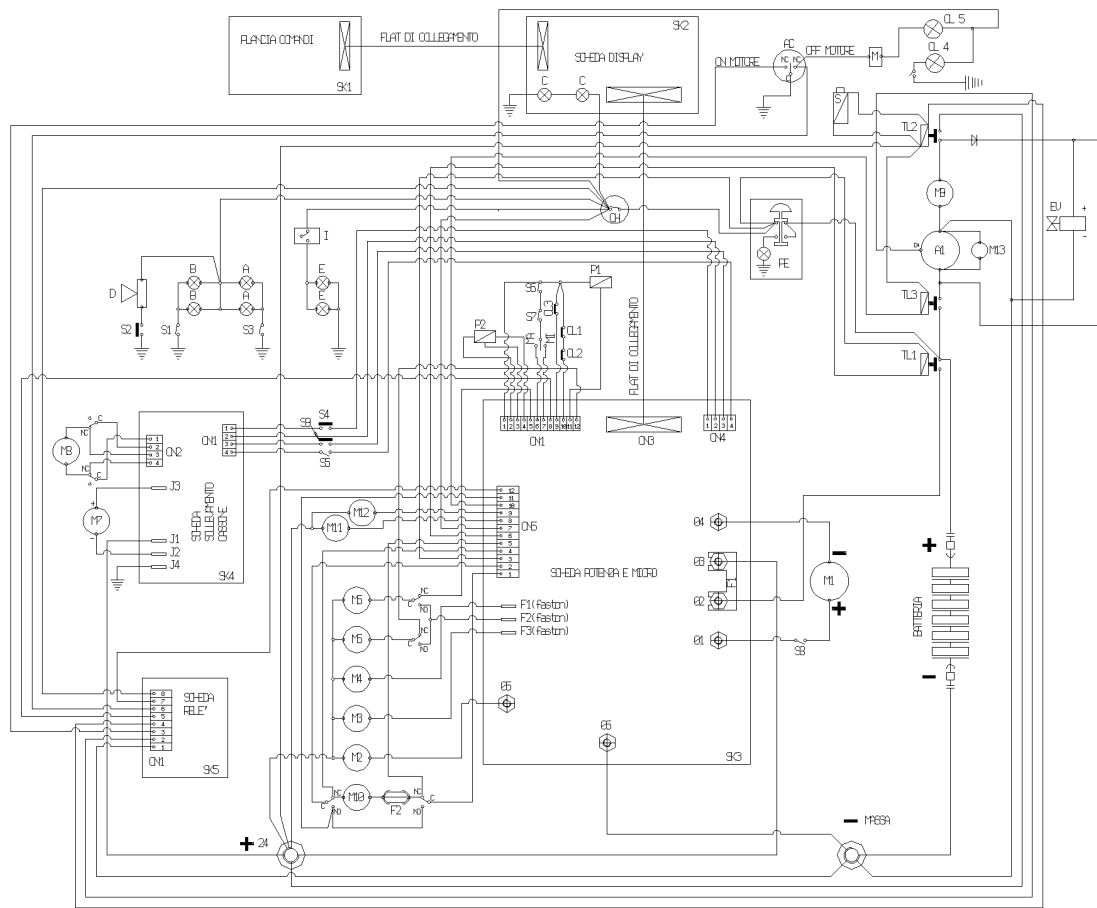


Ref. K	Part N.	Customer Part N.	Description	Qty	Validity: From To	Price
0041	VTVT75726		SCREW TBEI M 6X 16 ISO 7380 ZB	4,00		--
0042	VTVT75719		SCREW TE F/ROND. M 6 X 10	6,00		--
0043	LAFN00724		PLANE LATERALE SX	1,00		--
0044	VTRS00012		WASHER UNI 6592 10X21 ZB	2,00		--
0045	VTRS86634		WASHER 6X18X1,5 UNI6593	4,00		--
0046	MPVR00226		BUMPER LATERALE SX 1400	1,00		--
0047	RTRT47010		WHEEL D.150-D.15 X45 L.14	2,00		--
0048	MEVR00135		LANTERN G1400	2,00		--
0049	MPVR49249		COVER G 1400 ANT.	1,00		--
0050	LAFN00723		PLANE LATERALE DX	1,00		--
0051	LAFN47011		BUSHING L.14	2,00		--
0052	VTVT04857		SCREW TCEI M 10X70 UNI 5931	2,00		--
0053	VTVT62920		SCREW TE F/ROND. M 6X 16 ZB	1,00		--
0054	RTRT00022		HANDWHEEL D.30 M6X15	1,00		--
0055	MPVR00240		CRANKCASE SPOILER ANTERIORE	1,00		--
0056	VTVT00100		SCREW AUTOF.TC UNI 6954 3,9X16	6,00		--
0057	VTVT06237		SCREW TCEI 6X20 UNI5931	12,00		--
0058	VTVT12255		SCREW TCEI 6X25 UNI5931	4,00		--
0059	MPVR87170		BUMPER GRIGIO CPL 21201056	1,00		--
0060	VTDD00010		NUT AUTOBLOK DIN 985 M6 BASSO	6,00		--
0061	LAFN01102		BUMPER ANTERIORE DX	1,00		--
0062	LAFN01103		BUMPER ANTERIORE SX	1,00		--
0063	ITTE00003		PANEL TERMORIFLET.FIAN.LAT.1400	1,00		--
0064	ITTE00004		PANEL TERMORIFL.CONVOGL.1400	1,00		--
0065	VTVT63129		SCREW TE F/ROND. M 8X16 ZB	6,00		--
0066	MELF87169		LAMP 12V 35W	1,00		--
0067	MLML46644		SPRING D. 6	2,00		--
0068	LAFN46645		PROTECTION L.14 DX	1,00		--
0069	VTVT63029		SCREW TCEI M 6X 35 UNI 5931 ZB	2,00		--
0070	VTVT00106		SCREW AUTOFIL. TC 3,5X14,5	4,00		--
017A	PMLA00002		BODY SIDE LAT.DX COM. TK1400DP GRIG	1,00		--



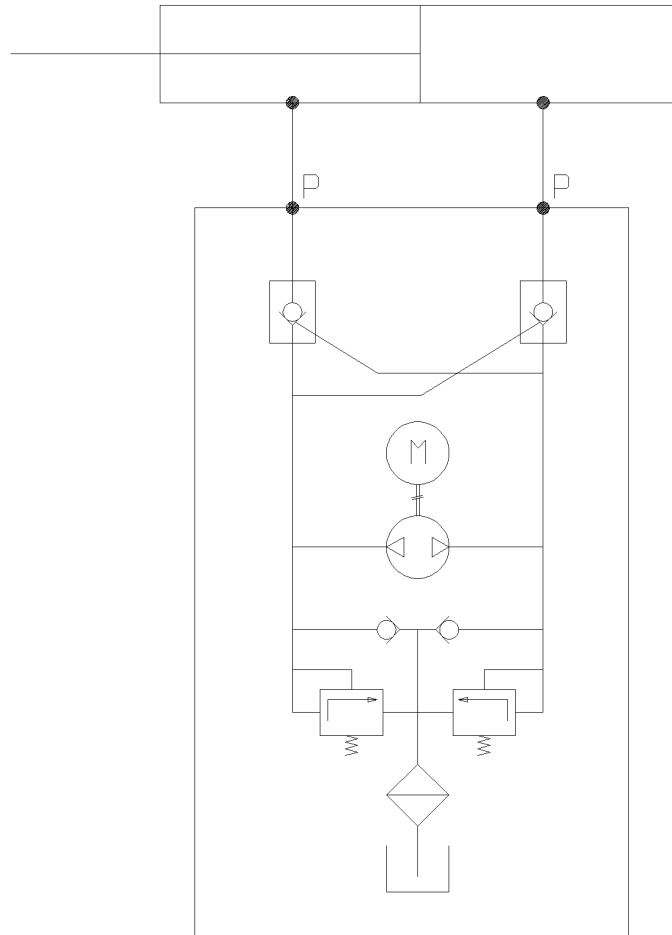
91	PLACA CHAVI	DASHBOARD
92	SEHA DISPLAY	DISPLAY GRD
93	SEHA FORTA E MOTO	CLUTCH AND MOTOR GRD
94	SEHA COLLEBANDI	OVERSHOFTING GRD
95	SEHA RELI?	RELAY GRD
11	TORRE TRIND HES	HEAT ENGINE HES
11	TORRE TRIND 333 U 24V	TRACTION MOTOR 333 U 24V
12	TORRE SPAZZA OMBRE 333U 24V	RAIN BRUSH MOTOR 333U 24V
13	TORRE ABRAPIDE SX 133U 24V	LEFT SLIDING MOTOR 133U 24V
14	TORRE ABRAPIDE DX 133U 24V	RIGHT SLIDING MOTOR 133U 24V
15	TORRE SPAZZA LATERALE SX 33U 24V	LEFTSIDE BRUSH MOTOR 33U 24V
16	TORRE SPAZZA LATERALE DX 33U 24V	RIGHTSIDE BRUSH MOTOR 33U 24V
17	TORRE GENERALIA FORA 333U 24V	RUP PLANT MOTOR 333U 24V
18	TORRE RIALZANDI GREENE 133U 24V	GREEN GREEN MOTOR 133U 24V
19	TORRE RIALZANDI 333U 24V	SHIFTER 333U 24V
110	TORRE ATTORRE S.C. 33U 24V	ACTUATOR S. C. 33U 24V
111	TORRE SCUOTIFLO SX 33U 24V	LEFT FILTER SHAFER MOTOR 33U 24V
112	TORRE SCUOTIFLO DX 33U 24V	RIGHT FILTER SHAFER MOTOR 33U 24V
113	VENTOLA DI ABBANDONO 33U 24V	COLLING FAN 33U 24V
114	TEMPERATURE INGRESSO 33A 24V	INLET GEN. TEMPE. CONTR. SWITCH 33A 24V
115	TEMPERATURE ALIANTI 33A 24V	INT. SHIF. TEMPE. CONTR. SWITCH 33A 24V
116	TEMPERATURE ABBANDONO 33A 24V	ALTERNATING TEMPE. CONTR. SWITCH 33A 24V
F1	ALTERNATIVE 33A	FUSE 33A
F2	FUSIBILE ABBANDONO 3.15 A 5X20	ALTERNATOR FUSE 3.15 A 5X20
A	ALTERNATIVE 80A 28V	ALTERNATOR 80A 28V
R	LUCE RESIZIONE	PARKING LIGHTS
B	LUCE ABBANDONO	EMERGENCY FLASHLIGHT
C	LUCE DISPLAY	DASHBOARD LIGHTS
D	ALTERNATIVE ABBANDONO	IGN. SWITCH
E	LUCE INERENTEM	FLASHING LIGHTS
I	INERENTEM	INERENTEM
S	SELAONE CHIAVIA FORA OMBRE	OVERSHOFTING AIR OMBRE SOLENOID
O1	INERENTEM OMBRE	KEY SWITCH
P1	POTENTIOMETRO ALTERNANDO 40?	FEED POTENTIOMETER 40?
P2	POTENTIOMETRO SEHALE LATERALI 33?	SEE SEHA POTENTIOMETER 33?
Q1	SEHALE TEMPERATURA INT. 33?	TEMPERATURE SENSOR TRACTION MOTOR 33?
Q2	SEHALE TEMPERATURA INT. ALIANTI 33?	TEMPERATURE SENSOR ALIANTI MOTOR 33?
Q3	SEHALE CILINDRO GREENE 333?	FULL GREEN LABEL 333?
FE	ALISNE OMBRE	EMERGENCY FLASHLIGHT
S1	INERENTEM LUCE ABBANDONO	EMERGENCY FLASHLIGHT SWITCH
S2	INERENTEM ALTERNATIVE ABBANDONO	IGN. SWITCH
S3	INERENTEM LUCE RESIZIONE	PARKING LIGHTS SWITCH
A1	ALISNE OMBRE OMBRE GREENE	GREEN OMBRE ALIANTI
S5	FEU OMBRE GREENE	RED GREEN OMBRE
S6	FEU SEHALE	RED SHIF
S7	FEU PEDALE ALTERNANDO	RED FEED PEDAL
O4	OMBRE INERENTEM TRIND	TRIND INERENTEM KEY
S9	FEU SCELZAZZA RIALZANDI GREENE	CLUTCH AND GREEN SECURITY FEU
K1	INERENTEM ON OFF TORRE BCOBERNED	G6 ENGINE ON/OFF SWITCH
Q4	SEHALE RESERVA GENCHA	FUEL LIGHT IN OMBRE
Q5	SEHALE CILINDRO OMO TORRE	OIL ALARM
B1	ELETTROVALVA GENCHA	FUEL SOLENOID VALVE

Ref. K	Part N.	Customer Part N.	Description	Qty	Validity:		Price
					From	To	
000D	MEVR47083		KLAXON L.14 24V	1,00			--
000E	KTRI00103		LAMP FLASH 24V ORANGE	2,00			--
000I	MECE85520		SWITCH RELAY 24V 220W	1,00			--
000M	MOSC47149		ENGINE MOTOR HONDA GX200 QM- 4-OH	1,00			--
000S	MEVR45120		SOLENOID K9B-36DL-1041	1,00			--
00A1	ARGN45114		ALTERNATOR 80 A 28V	1,00			--
00CH	MECI75805		SWITCH TK	1,00			--
00EV	MEEV47161		SOLENOID VALVE FUEL	1,00			--
00F1	MEVR00067		FUSE A BARRA 100A	1,00			--
00F2	MEVR00079		FUSE 3.15A 250V 5X20	1,00			--
00M1	RDGR45088		MOTOR.GEARBOX DV 1400 24V	1,00			--
00M2	MOCC45100		TRACTION MOTOR CC L.14	1,00			--
00M3	MOCC45111		MOTOR D.77 24V	1,00			--
00M4	MOCC45111		MOTOR D.77 24V	1,00			--
00M5	RDGR44777		MOTOR.GEARBOX AOMP140 24V 90W SX	1,00			--
00M6	RDGR44776		MOTOR.GEARBOX AOMP140 24V 90W DX	1,00			--
00M7	PPEL45108		MOTOR-DRIV.PUMPIDR. 24V L.14	1,00			--
00M8	RDGR31335		MOTOR.GEARBOX L. 70TE	1,00			--
00M9	MOCC45115		MOTOR 24V 300W SX	1,00			--
00P1	MEVR47087		POTENTIOMETER L.14	1,00			--
00P2	MECB00082		CABLE 26 CABLAG.SPAZZATR.TK1400	1,00			--
00PE	MECI00028		BUTTON DI EMERGENZA TK1400 24V	1,00			--
00S4	MECI45121		SWITCH D.22 RS.	1,00			--
00S5	MECI44780		MICROSWITCH D2VW-5L2A-1M OMR	1,00			--
00S7	MECI75950		MICROSWITCH TK	1,00			--
00S8	AZMC75803		DIASSASS.SPANNERSW 1000	1,00			--
00S9	MECI44780		MICROSWITCH D2VW-5L2A-1M OMR	3,00			--
OCL1	MECI00035		DASHBOARD DI TEMPERATURA F11-95 NC	1,00			--
OCL2	METK47170		PROBE F11-140° NC	1,00			--
OM10	MOCC00009		ATUATOR SPAZZ.CENT. TK1400 24V	1,00			--
OM11	PMQE00001		MOTOR SCUOTIF.ELETT.R.COMPL. 24V	1,00			--
OM12	PMQE00001		MOTOR SCUOTIF.ELETT.R.COMPL. 24V	1,00			--
OM13	VEVR45113		VENTILATOR 24V RF.	1,00			--
OSK1	MECE44770		PCB L.1400	1,00			--
OSK2	MECE44771		PCB DISPLAY L.1400	1,00			--
OSK3	MECE44785		PCB L.1400 TRACT.	1,00			--
OSK4	MECE44784		PCB L.1400	1,00			--
OSK5	MECE45124		PCB RELE' L.1400	1,00			--
OTL1	METT45116		CONTACTOR 24V T106 P	1,00			--



91	PLACCA CONDICI	SK1
92	SCHEDE DISPLAY	92
93	SCHEDE SULL'AVANTO GREEDE	93
94	SCHEDE SULL'AVANTO GREEDE	94
95	SCHEDE SULL'AVANTO GREEDE	95
96	SCHEDE SULL'AVANTO GREEDE	96
97	SCHEDE SULL'AVANTO GREEDE	97
98	SCHEDE SULL'AVANTO GREEDE	98
99	SCHEDE SULL'AVANTO GREEDE	99
100	SCHEDE SULL'AVANTO GREEDE	100
101	SCHEDE SULL'AVANTO GREEDE	101
102	SCHEDE SULL'AVANTO GREEDE	102
103	SCHEDE SULL'AVANTO GREEDE	103
104	SCHEDE SULL'AVANTO GREEDE	104
105	SCHEDE SULL'AVANTO GREEDE	105
106	SCHEDE SULL'AVANTO GREEDE	106
107	SCHEDE SULL'AVANTO GREEDE	107
108	SCHEDE SULL'AVANTO GREEDE	108
109	SCHEDE SULL'AVANTO GREEDE	109
110	SCHEDE SULL'AVANTO GREEDE	110
111	SCHEDE SULL'AVANTO GREEDE	111
112	SCHEDE SULL'AVANTO GREEDE	112
113	SCHEDE SULL'AVANTO GREEDE	113
114	SCHEDE SULL'AVANTO GREEDE	114
115	SCHEDE SULL'AVANTO GREEDE	115
116	SCHEDE SULL'AVANTO GREEDE	116
117	SCHEDE SULL'AVANTO GREEDE	117
118	SCHEDE SULL'AVANTO GREEDE	118
119	SCHEDE SULL'AVANTO GREEDE	119
120	SCHEDE SULL'AVANTO GREEDE	120
121	SCHEDE SULL'AVANTO GREEDE	121
122	SCHEDE SULL'AVANTO GREEDE	122
123	SCHEDE SULL'AVANTO GREEDE	123
124	SCHEDE SULL'AVANTO GREEDE	124
125	SCHEDE SULL'AVANTO GREEDE	125
126	SCHEDE SULL'AVANTO GREEDE	126
127	SCHEDE SULL'AVANTO GREEDE	127
128	SCHEDE SULL'AVANTO GREEDE	128
129	SCHEDE SULL'AVANTO GREEDE	129
130	SCHEDE SULL'AVANTO GREEDE	130
131	SCHEDE SULL'AVANTO GREEDE	131
132	SCHEDE SULL'AVANTO GREEDE	132
133	SCHEDE SULL'AVANTO GREEDE	133
134	SCHEDE SULL'AVANTO GREEDE	134
135	SCHEDE SULL'AVANTO GREEDE	135
136	SCHEDE SULL'AVANTO GREEDE	136
137	SCHEDE SULL'AVANTO GREEDE	137
138	SCHEDE SULL'AVANTO GREEDE	138
139	SCHEDE SULL'AVANTO GREEDE	139
140	SCHEDE SULL'AVANTO GREEDE	140
141	SCHEDE SULL'AVANTO GREEDE	141
142	SCHEDE SULL'AVANTO GREEDE	142
143	SCHEDE SULL'AVANTO GREEDE	143
144	SCHEDE SULL'AVANTO GREEDE	144
145	SCHEDE SULL'AVANTO GREEDE	145
146	SCHEDE SULL'AVANTO GREEDE	146
147	SCHEDE SULL'AVANTO GREEDE	147
148	SCHEDE SULL'AVANTO GREEDE	148
149	SCHEDE SULL'AVANTO GREEDE	149
150	SCHEDE SULL'AVANTO GREEDE	150

Ref.	K	Part N.	Customer Part N.	Description	Qty	Validity: From To	Price
OTL2		METT45116		CONTACTOR 24V T106 P	1,00		--
OTL3		METT45116		CONTACTOR 24V T106 P	1,00		--



Ref. K	Part N.	Customer Part N.	Description	Qty	Validity:		Price
					From	To	
000M	PPEL45108		MOTOR-DRIV.PUMPIDR. 24V L.14	1,00			--