



IPC Integrated Professional Cleaning

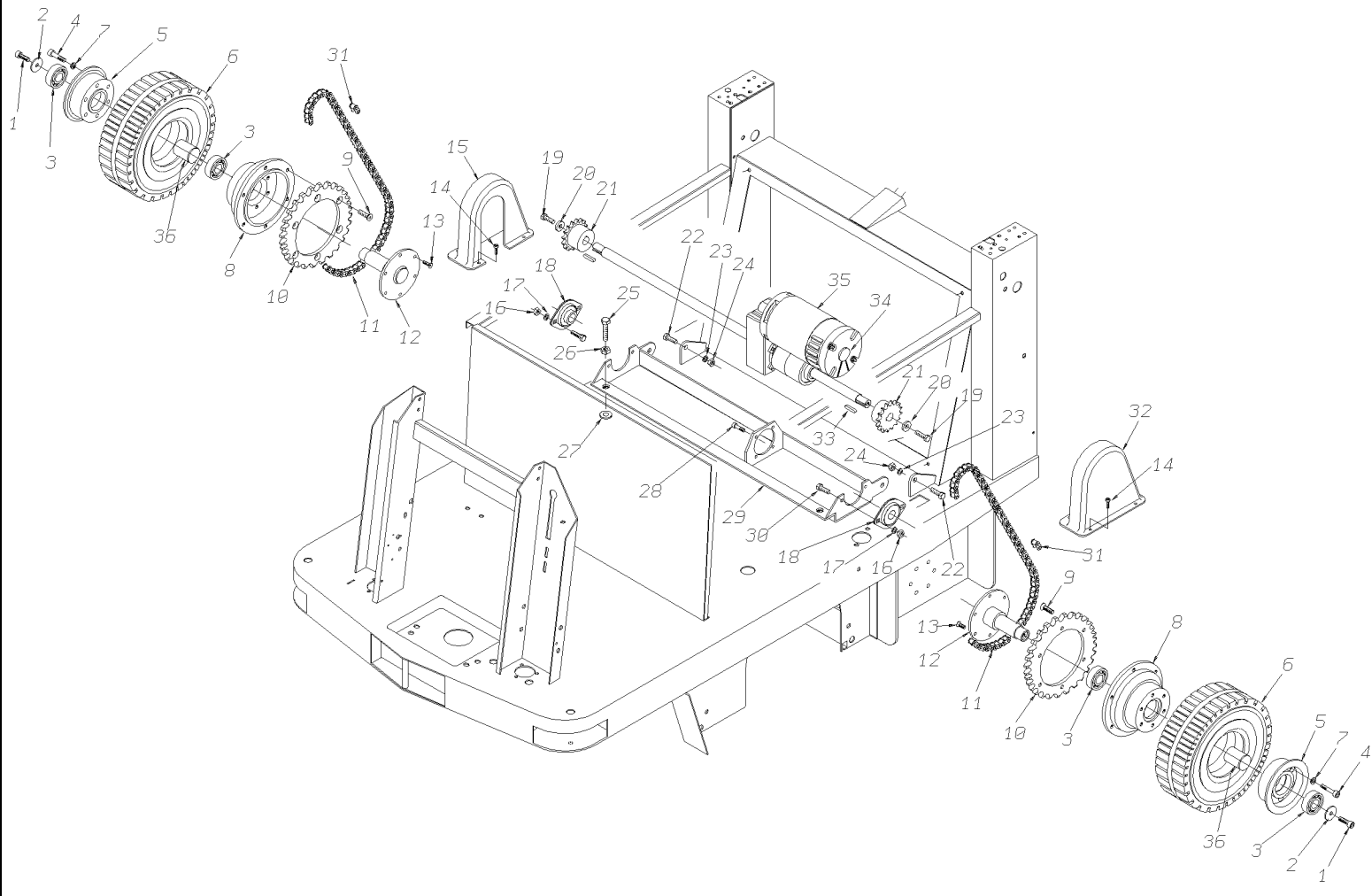
IPC Gansow

Spare Parts List

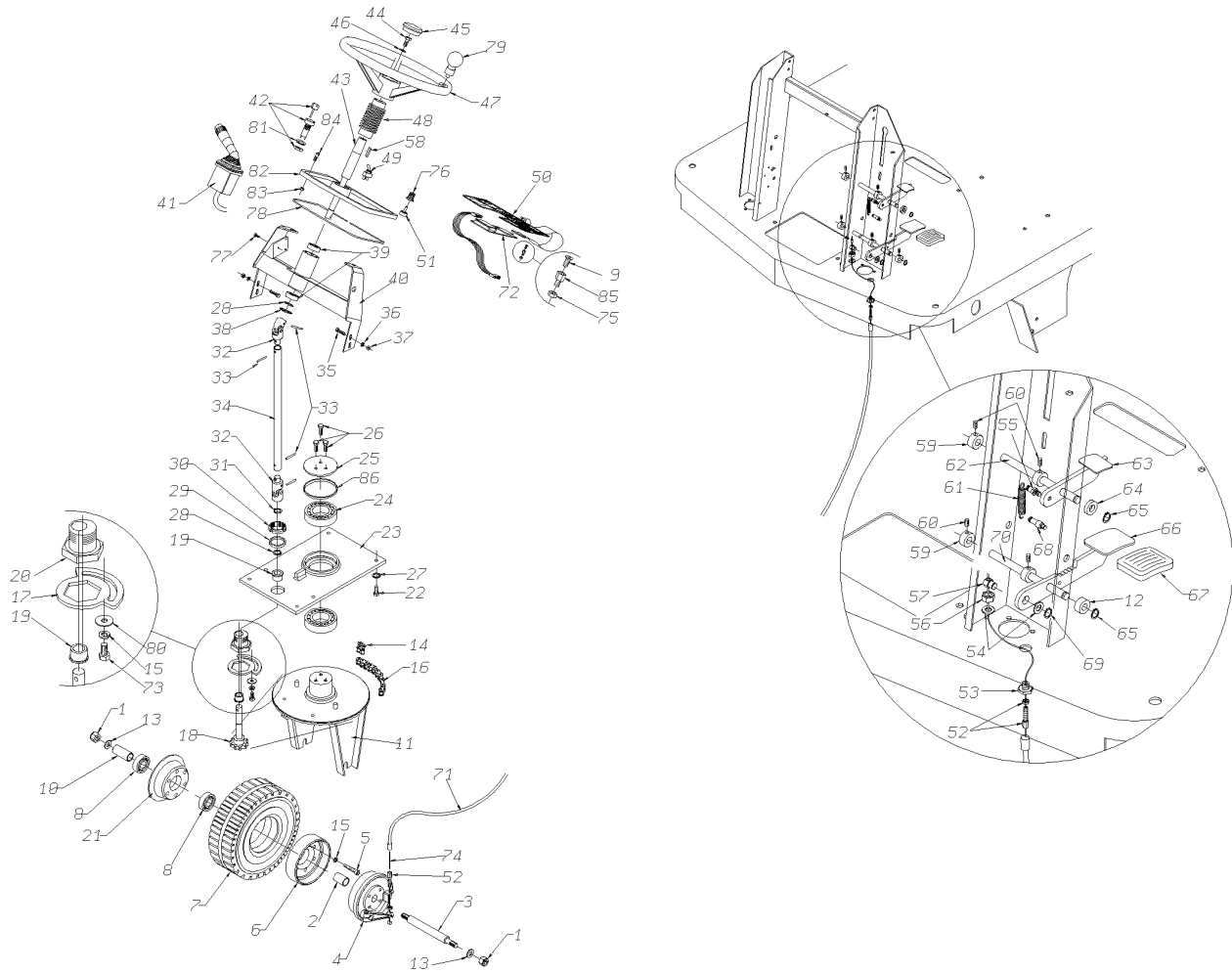
TAVERNARO AG

Ref: MSUB00048

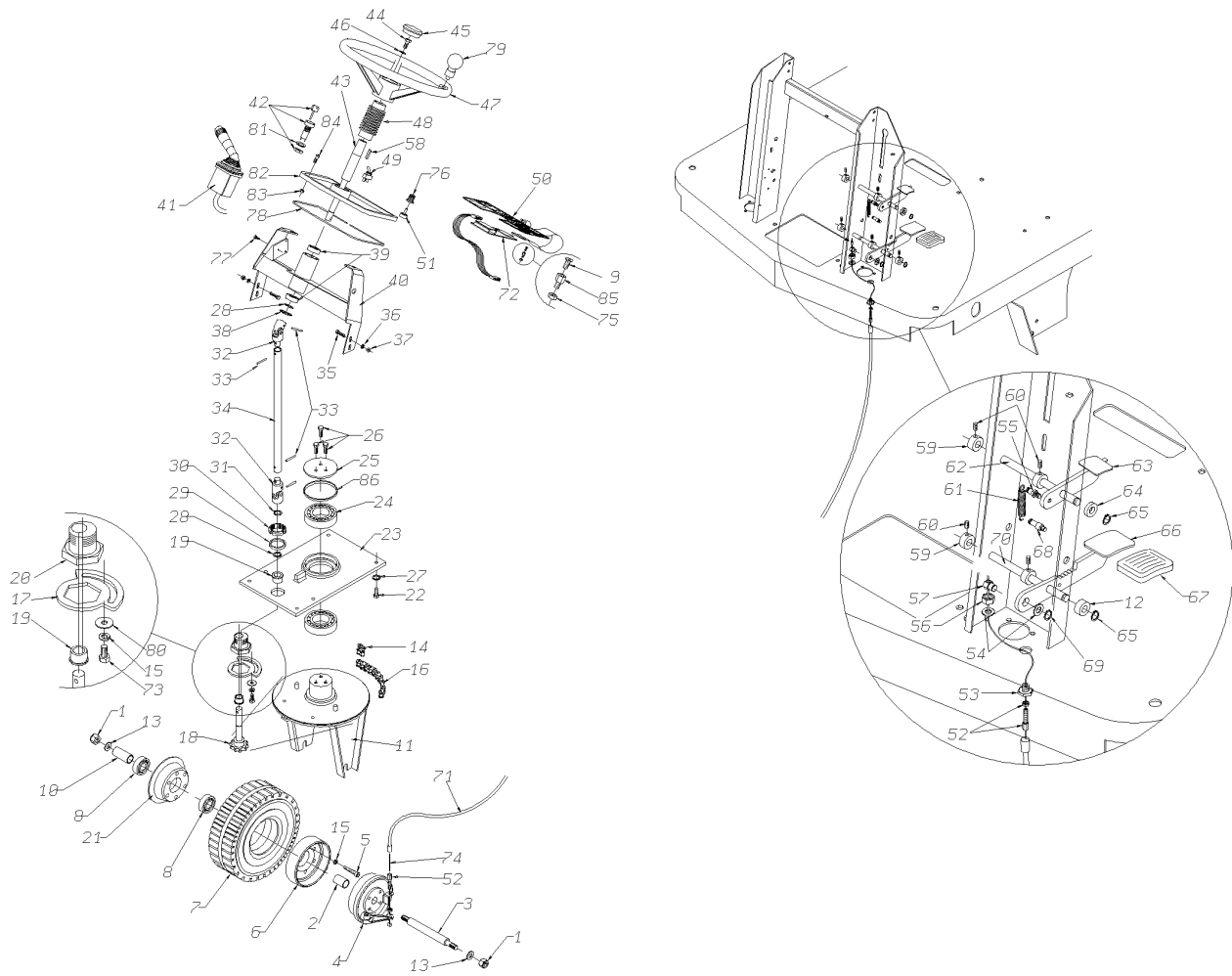
Model: Spazzatrice G 1200E gri/gri 2SP SA+ LUCI



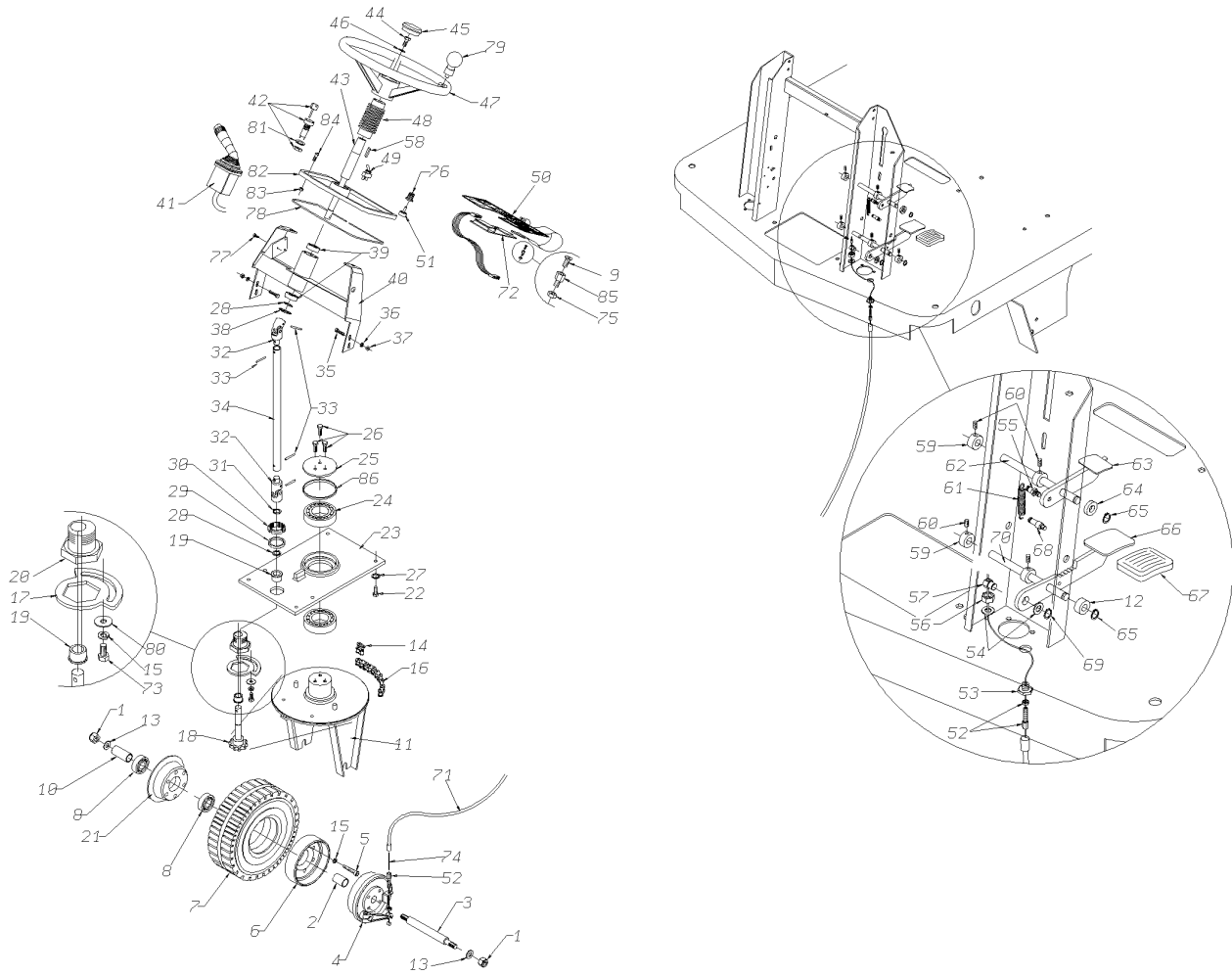
Ref. K	Part N.	Customer Part N.	Description	Qty	Validity: From To	Price
0001	VTVT87271		SCREW TBEI M 8X 16 ISO 7380	2,00	--	--
0002	VTRS87283		WASHER D.8X24X2,5 ZB UNI 6593	2,00	--	--
0003	CUVR00008		BEARING 6003 2RS	4,00	--	--
0004	VTVT00066		SCREW TCCE UNI 5931 8X25 ZB	10,00	--	--
0005	LAFN85290		HUB SW 1000 22501004	2,00	--	--
0006	KTRI75744		REAR WHEELS TK1000	2,00	--	--
0007	VTRS00020		WASHER GOWER UNI 1751 UNI 1751	10,00	--	--
0008	LAFN00633		HUB PORTACORONA TK1300	2,00	--	--
0009	VTVT00061		SCREW TSCE UNI 5933 6X20 ZB	10,00	--	--
0010	MTCR00002		BRAKE TRAZIONE RUOTE	2,00	--	--
0011	MTCR00004		CHAIN TRASMISSIONE TK1300/1200	2,00	--	--
0012	LAFN00317		FLANGE CON PERNO RUOTA POST.	2,00	--	--
0013	VTVT45340		SCREW TSPEI 8X16 UNI5933	12,00	--	--
0014	VTVT09913		SCREW TCEI 6X16 UNI5931	4,00	--	--
0015	MPVR00259		CRANKCASE PROTEZIONE CATENA DX 1300	1,00	--	--
0016	VTDD87083		NUT AUTO BLOCK M8 DIN 985 ZB	4,00	--	--
0017	VTRS76640		WASHER 8 X 17	4,00	--	--
0018	LAFN87166		SUPPORT	2,00	--	--
0019	VTVT29810		SCREW TCEI M 8X20 UNI 5931	2,00	--	--
0020	VTRS87283		WASHER D.8X24X2,5 ZB UNI 6593	2,00	--	--
0021	MTIG00035		PINION DIFFERENZ. Z22 P66.93 1300	2,00	--	--
0022	VTVT00456		SCREW TE 10X25 UNI5739	2,00	--	--
0023	VTRS00012		WASHER UNI 6592 10X21 ZB	4,00	--	--
0024	VTDD00011		NUT AUTOBLOK DIN 985 M10	2,00	--	--
0025	VTVT00068		SCREW TE UNI 5739 10X60 ZB	2,00	--	--
0026	VTDD00006		NUT UNI 5588 M10 ZB	2,00	--	--
0027	LAFN47016		SPACER L.14	2,00	--	--
0028	VTVT62920		SCREW TE F/ROND. M 6X 16 ZB	4,00	--	--
0029	LAFN00771		SUPPORT DIFFERENZIALE TK1300 ZINC	1,00	--	--
0030	VTVT29810		SCREW TCEI M 8X20 UNI 5931	4,00	--	--
0031	MTCR47037		WARP KNITTING 3/8	2,00	--	--
0032	MPVR00260		CRANKCASE PROTEZIONE CATENA SX 1300	1,00	--	--
0033	VTVR28706		KEY 6X 6X20 UNI 6604A	2,00	--	--
0034	MECI00035		DASHBOARD DI TEMPERATURA F11-95 NC	1,00	--	--
0035	MOCC00007		MOTOR.GEARBOX TRAZIONE TK1300 DP	1,00	--	--
0036	LAFN00275		SPACER INTERNO RUOTA POST.TK1300	2,00	--	--



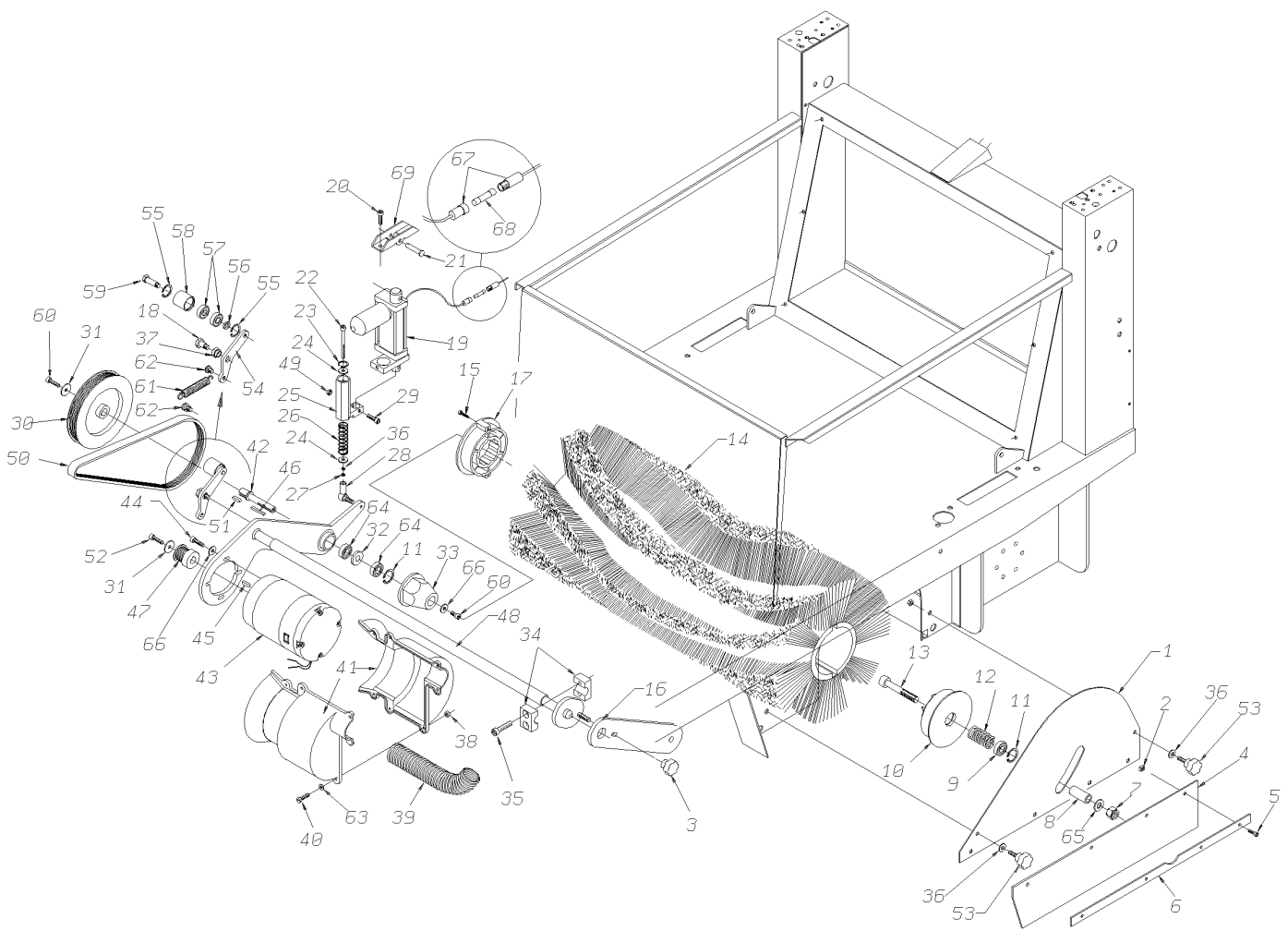
Ref.	K	Part N.	Customer Part N.	Description	Qty	Validity:		Price
						From	To	
0001		VTDD00012		NUT AUTOBLOK DIN 985 M12 ZB	2,00			--
0002		LAFN00265		SPACER RUOTA ANT.LATO FRENO 1000	1,00			--
0003		LAFN87163		PIN	1,00			--
0004		PMVR00231		BRAKE G1202	1,00			--
0005		VTVT29810		SCREW TCEI M 8X20 UNI 5931	5,00			--
0006		LAFN85291		HUB SW 1000 22501002	1,00			--
0007		KTRI75744		REAR WHEELS TK1000	1,00			--
0008		CUVR00005		BEARING 6202 2RS	2,00			--
0009		VTVT00035		SCREW TSTC 3X8 ZB	3,00			--
0010		LAFN00264		SPACER RUOTA ANTERIORE TK1000	1,00			--
0011		LAFN00853		SUPPORT RUOTA ANTER.MODIF.ZINC.	1,00			--
0012		LAFN47019		BUSHING L.14	1,00			--
0013		VTRS86510		WASHER 15X24 UNI6592	3,00			--
0014		MTCR47037		WARP KNITTING 3/8	2,00			--
0015		VTRS00020		WASHER GOWER UNI 1751 UNI 1751	5,00			--
0016		MTCR00005		CHAIN STERZO TK1300/1200 3/8"	1,00			--
0017		LAFN47039		FLANGE L.14	1,00			--
0018		KTRI46514		PIN TK 1000 + BUSCH.	1,00			--
0019		LAFN75841		BUSHING TK 1000	2,00			--
0020		LAFN75842		BUSHING TK 1000	1,00			--
0021		LAFN85290		HUB SW 1000 22501004	1,00			--
0022		VTVT00015		SCREW TE UNI 5739 8X25 ZB	6,00			--
0023		LAFN00318		FLANGE FISSAG.RUOTA ANT.1300 ZIN	1,00			--
0024		CUVR75816		BEARING 51112	2,00			--
0025		LAFN47004		FLANGE TK1400	1,00			--
0026		VTVT00014		SCREW TE UNI 5739 8X20 CL.10.9	3,00			--
0027		VTRS00020		WASHER GOWER UNI 1751 UNI 1751	6,00			--
0028		LAFN47020		THICKNESS D.15X22X1.0	5,00			--
0029		LAFN75913		SPACER TK	1,00			--
0030		VTVR75747		RING NUT AUTOBLOK M 35 X 1,5 GUK	1,00			--
0031		VTAE17003		CIRCLIP D. 15 UNI 7435	1,00			--
0032		VTVR47021		ARTICULATION D. 5-15	2,00			--
0033		VTVR46987		ELASTIC PLUG 5X25 UNI 6873	2,00			--
0034		ALTR00035		SHAFT STERZO G1200-G1300 ZINC.	1,00			--
0035		VTVT62920		SCREW TE F/ROND. M 6X 16 ZB	4,00			--
0036		VTRS86634		WASHER 6X18X1,5 UNI6593	4,00			--
0037		VTDD00010		NUT AUTOBLOK DIN 985 M6 BASSO	4,00			--
0038		VTAE17003		CIRCLIP D. 15 UNI 7435	1,00			--
0039		CUVR00005		BEARING 6202 2RS	2,00			--



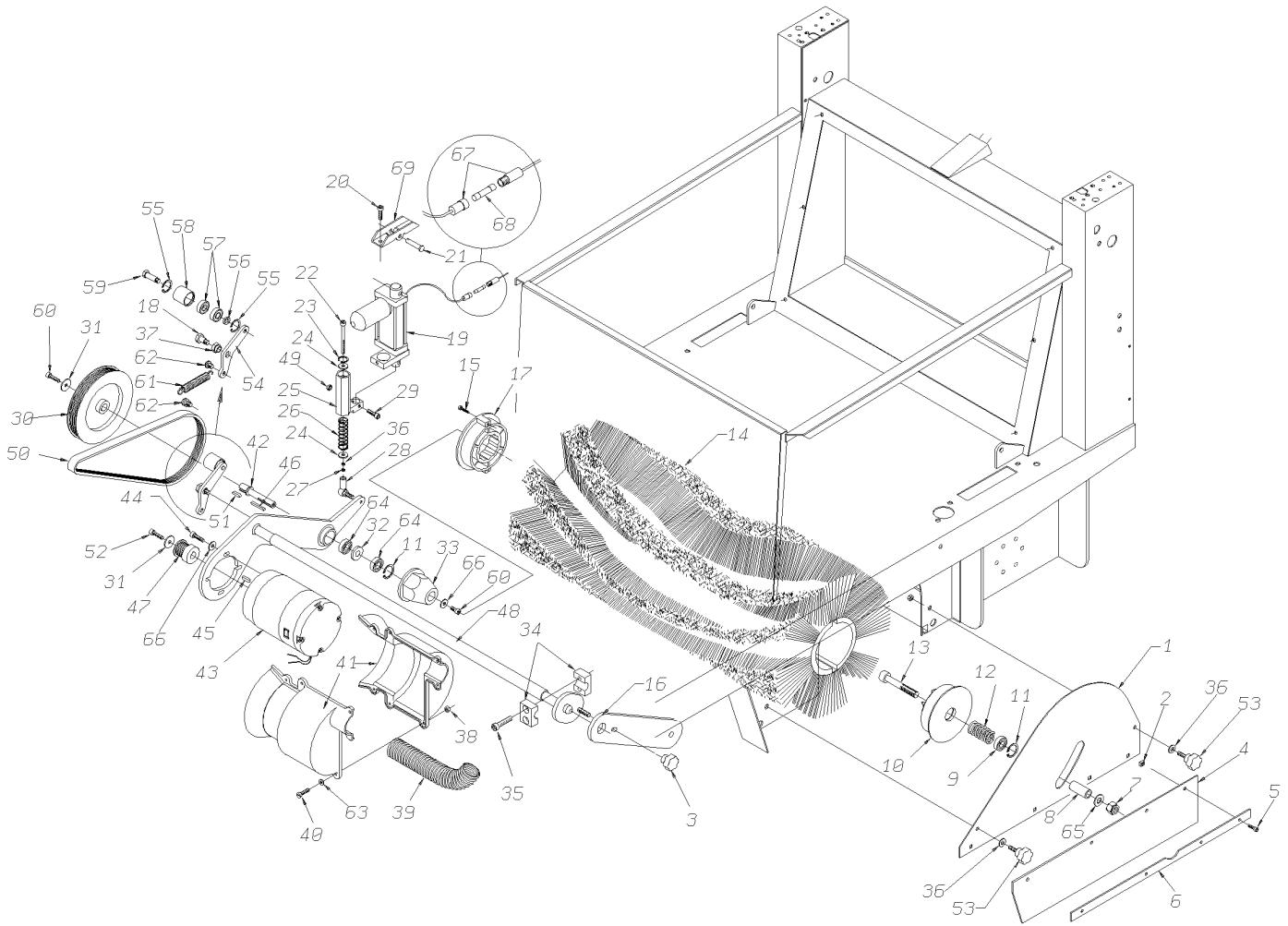
Ref. K	Part N.	Customer Part N.	Description	Qty	Validity:		Price
					From	To	
0040	LAFN47023		SUPPORT L.14	1,00			--
0042	MECI75805		SWITCH TK	1,00			--
0043	LAFN47024		UP STEERING L.14	1,00			--
0044	VTVT47025		SCREW TBEI M 10X 16 ISO 7380 ZB	1,00			--
0045	MPVR47026		BLACK CAP L.14	1,00			--
0046	VTRS44254		WASHER D.10 X40X2.5 UNI6593	1,00			--
0047	MPVR47027		STEERING WHEEL D. 320 L.14	1,00			--
0048	MPVR47028		PROTECTOR STZ. L.14	1,00			--
0049	MECI75945		COMMUTAT.SWITCH3 POS. TK	1,00			--
0050	MEVR00019		DASHBOARD A MEMBRANA X CRUSC.TK1200	1,00			--
0051	MECB00082		CABLE 26 CABLAG.SPAZZATR.TK1400	1,00			--
0052	CMCV75723		REGISTER D.7	1,00			--
0053	LAFN75975		PIN TK	1,00			--
0054	VTRS86510		WASHER 15X24 UNI6592	2,00			--
0055	LAFN47029		PIN CH.10 H.16	1,00			--
0056	VTDD00007		NUT UNI 5588 M12 ZB	1,00			--
0057	LAFN75973		PIN FLAP TK	1,00			--
0058	VTVR33667		KEY 5x 5x25 UNI 6604A	1,00			--
0059	LAFN47030		BUSHING L.14	3,00			--
0060	VTVT75731		SCREW UNI 5923 6 X5	3,00			--
0061	MLML75960		SPRING D. 8 X1 X32	1,00			--
0062	LAFN47031		PIN L.14	1,00			--
0063	LAFN47032		PEDALE L.14	1,00			--
0064	LAFN47033		BUSHING L.14	1,00			--
0065	VTAE87276		SEEGER EXT. D10 DIN471	2,00			--
0066	LAFN47034		BRAKE PEDAL L.14	1,00			--
0067	MPVR45096		RUBBER V 1201 GR.	1,00			--
0068	LAFN47035		PIN CH.10 H.26	1,00			--
0069	VTAE14016		CIRCLIP D. 12 UNI 7435	1,00			--
0070	LAFN47036		PIN BRK.+FLAP L.14	1,00			--
0071	CMCV75904		BRAKE SHEATH TK 1000E/S	1,00			--
0072	MECE44771		PCB DISPLAY L.1400	1,00			--
0073	VTVT00013		SCREW TE UNI 5739 8X16 ZB	1,00			--
0074	CMCV85320		CABLE D.2,5 L.760 21251003	1,00			--
0075	VTDD00001		NUT UNI 5588 M3 ZB	3,00			--
0076	MECB00082		CABLE 26 CABLAG.SPAZZATR.TK1400	1,00			--
0077	VTVT00071		SCREW TSCE UNI 5933 3X20 ZB	4,00			--
0078	GUVR44786		GASKET L.14	1,00			--
0079	MPVR47040		KNOB L.14	1,00			--



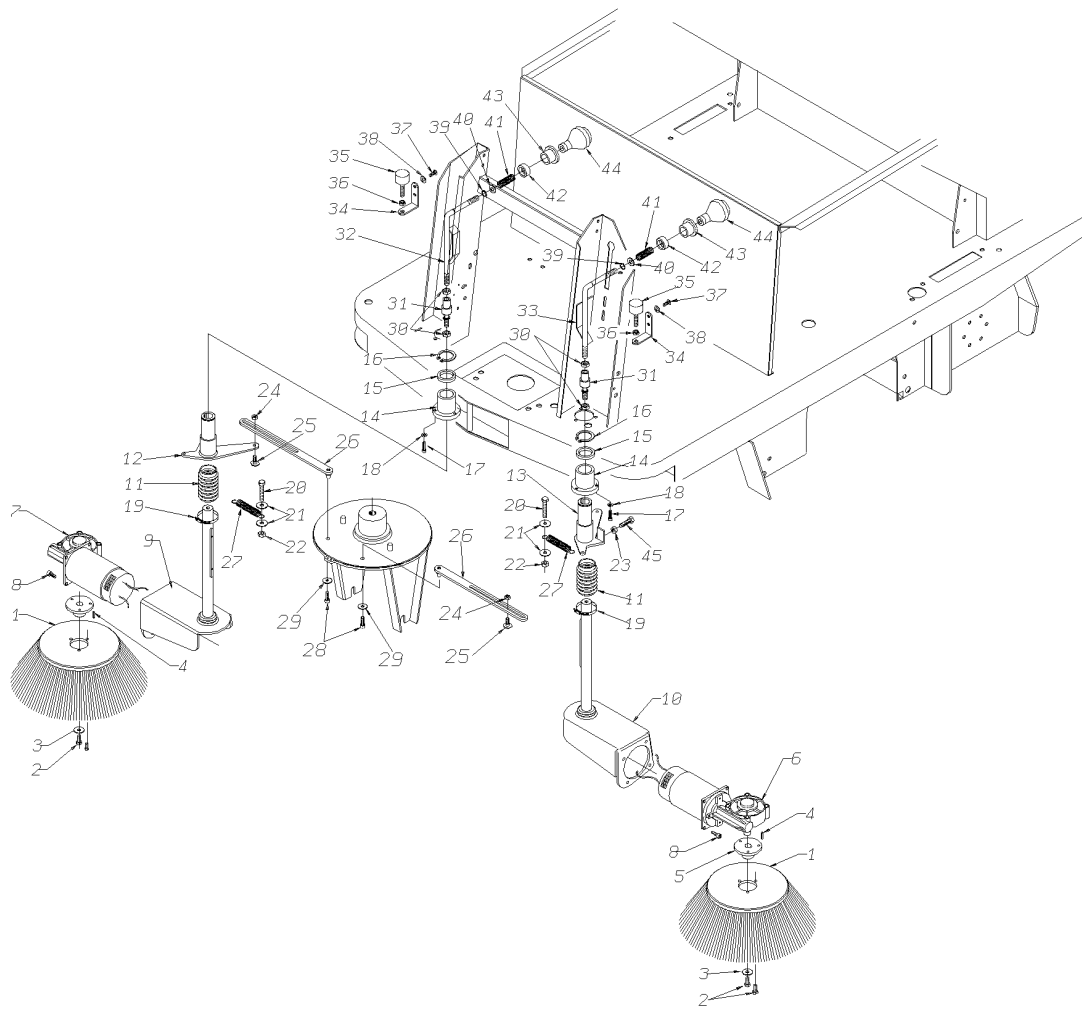
Ref. K	Part N.	Customer Part N.	Description	Qty	Validity:		Price
					From	To	
0080	VTRS87283		WASHER D.8X24X2,5 ZB UNI 6593	1,00			--
0081	VTRS00023		WASHER DENTATA INT.UNI 6798 D.18	1,00			--
0082	MPVR44783		INSTR.PANEL L.1400 ABS	1,00			--
0083	VTDD00013		NUT INGABBIATO UNI 3740 M6	6,00			--
0084	VTVT75726		SCREW TBEI M 6X 16 ISO 7380 ZB	2,00			--
0085	LAFN47038		CONNECTOR M-F M3	3,00			--
0086	LAFN00912		THICKNESS STERZO	3,00			--



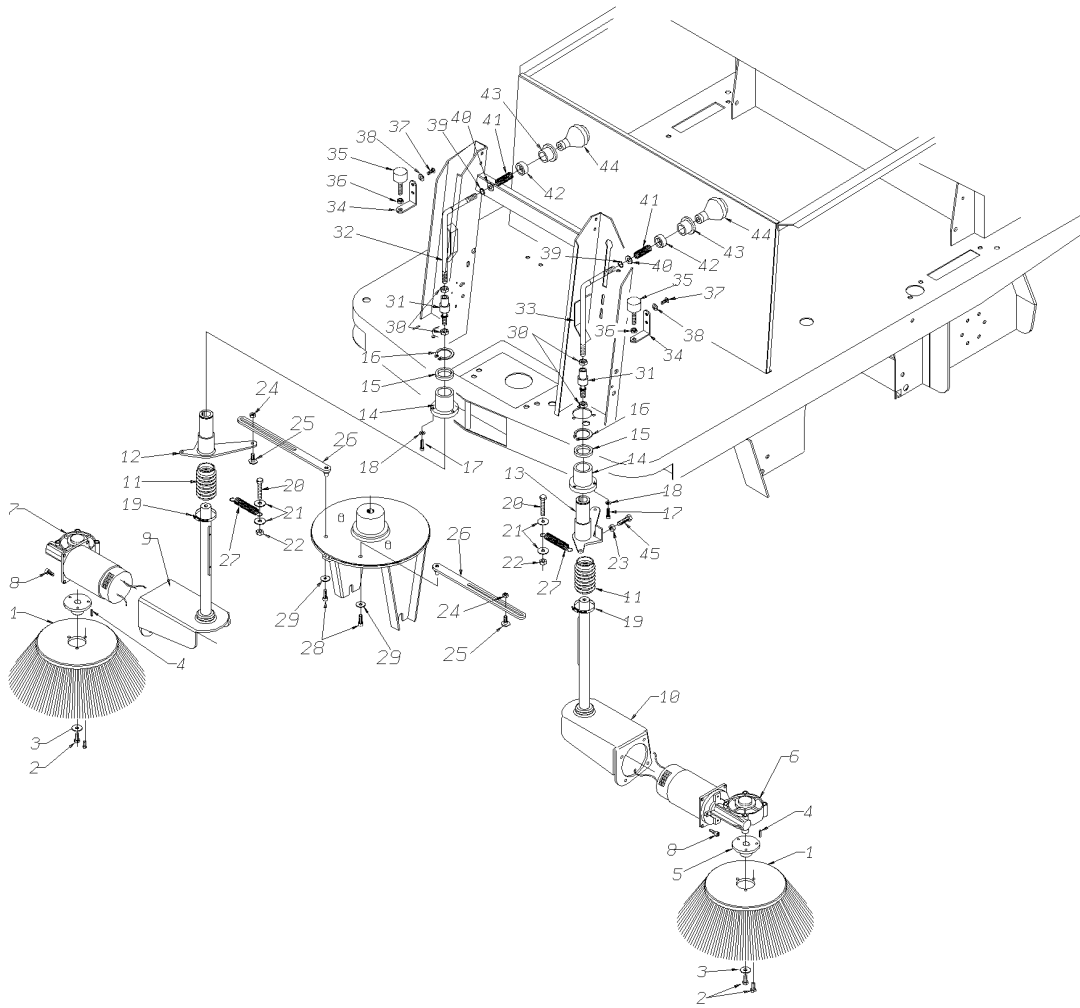
Ref.	K	Part N.	Customer Part N.	Description	Qty	Validity: From To	Price
0002		VTVR47015		INSERT PLS. D.3	4,00		--
0003		VTVR00047		HANDWHEEL D.50 M8	1,00		--
0004		MPVR00750		FLAP LATERALE DX/SX TK1300	1,00		--
0005		VTVT00106		SCREW AUTOFIL. TC 3,5X14,5	4,00		--
0006		LAFN00319		FLAP LOCK LATERALE TK1300 ZINCATO	1,00		--
0007		VTDD00012		NUT AUTOBLOK DIN 985 M12 ZB	1,00		--
0008		LAFN47047		SPACER L.14	1,00		--
0009		CUVR00002		BEARING 6001 2RS	1,00		04/2003
0009		CUVR46942		BALL BEARING 6001-2RS1 -SKF	1,00	04/2003	--
0010		LAFN44772		FLANGE L.1400	1,00		--
0011		VTAE00010		SEEGER INTERNO DIN 472 D.28	2,00		--
0012		MLML45098		SPRING D. 25X38 TK1400	1,00		--
0013		VTVT47048		SCREW TCEI M12X80 UNI 5931	1,00		--
0014		SPPV00052		CENTRAL BRUSH D.280X686 6R0.5/1.2 1200	1,00		--
0015		VTVT47138		SCREW TSP-TC 3,9X32 ZC. UNI6955	2,00		--
0016		LAFN47050		LATERAL ARM L.14	1,00		--
0017		LAFN45099		DRIVE DISK TK1400	1,00		--
0018		LAFN47051		PIN L.14	1,00		--
0019		PMQE00017		ATUATOR SPAZZOLA CENTRALE	1,00		--
0020		VTVT09913		SCREW TCEI 6X16 UNI5931	2,00		--
0021		LAFN00487		PIN FISSAG.ATTUATORE TK1300	1,00		--
0022		VTAE47053		CIRCLIP D. 20 UNI 7437	1,00		--
0023		VTAE00009		SEEGER INTERNO DIN 472 D.20	1,00		--
0024		LAFN00124		BUSHING BATTUTA CILINDRO	2,00		--
0025		MPVR45279		CASE TK1400	1,00		--
0026		MLML00018		SPRING D.20X2X81 X CILIND.STAB.	1,00		--
0027		VTDD00003		NUT UNI 5588 M5 ZB	2,00		--
0028		VTVR45280		ARTICULATION AS M6	1,00		--
0029		VTVT00008		SCREW TE UNI 5739 6X30 ZB	1,00		--
0030		MTPL47054		PULLEY POLY-V J8 D. 155	1,00		--
0031		VTRS63242		WASHER D. 6 X24 ZC	2,00		--
0032		LAFN46932		SPACER L.14	1,00		--
0033		LAFN44774		HUB 1050	1,00		--
0034		LAFN47055		HOSE COLLAR C3 D.18	4,00		--
0035		VTVT06236		SCREW TCEI 6X40 UNI5931	4,00		--
0036		VTRS86634		WASHER 6X18X1,5 UNI6593	2,00		--
0037		LAFN47033		BUSHING L.14	1,00		--
0038		VTVR47057		INSERT M4 X12	7,00		--
0039		TBFX00003		TUBE RAFFRE.MOT.SPAZ.CENT.1400	1,00		--



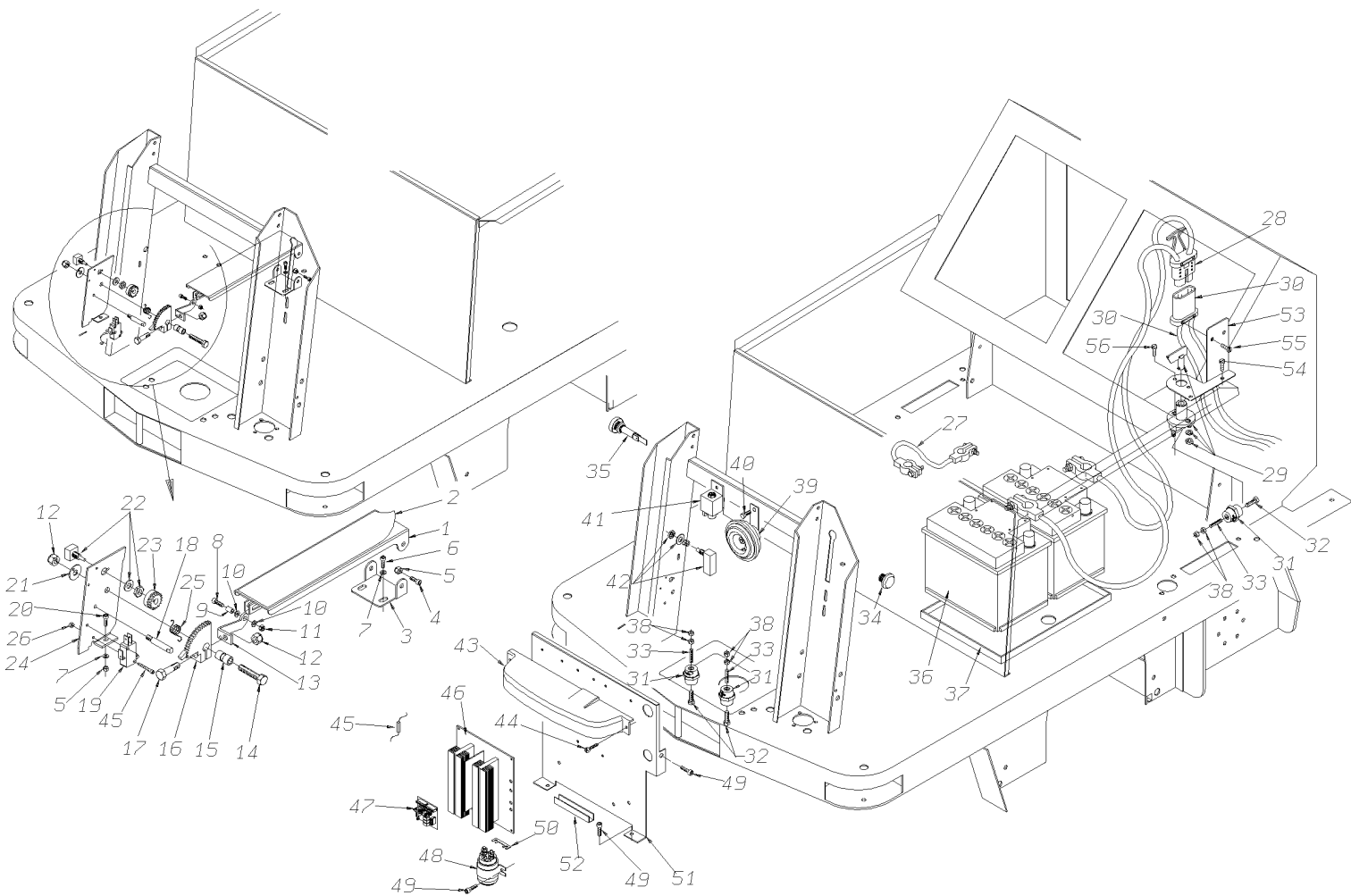
Ref.	K	Part N.	Customer Part N.	Description	Qty	Validity:		Price
						From	To	
0040		VTVT72043		SCREW M 4 X16 TC UNI7687	7,00			--
0041		MPVR47058		CRANKCASE L.14	1,00			--
0042		LAFN44775		BRUSH PIN L.1400	1,00			--
0043		MOCC45100		TRACTION MOTOR CC L.14	1,00			--
0044		VTVT06237		SCREW TCEI 6X20 UNI5931	4,00			--
0045		VTVR13164		KEY 5X5X30	1,00			--
0046		VTVR00006		KEY UNI 6604 4X4X35	1,00			--
0047		MTPL45101		PULLEY POLY-V J8 TK1400	1,00			--
0048		LAFN00852		ARM PORTASPAZ.CENT.DIST.COM.	1,00			--
0049		VTDD00004		NUT UNI 5588 M6 ZB	1,00			--
0050		MTCG44767		BELT POLY-V J8 864-340	1,00			--
0051		VTVR13165		KEY 5X5X20	1,00			--
0052		VTVT06237		SCREW TCEI 6X20 UNI5931	1,00			--
0053		RTRT00022		HANDWHEEL D.30 M6X15	2,00			--
0054		LAFN47059		BELT-STRETCHER L.14	1,00			--
0055		VTAE00008		SEEGER INTERNO DIN 472 D.26	2,00			--
0056		LAFN47060		SPACER L.14	1,00			--
0057		CUVR86373		BEARING 6000 2RS	2,00			--
0058		MTPL47061		ROLLER L.14	1,00			--
0059		LAFN47062		PIN L.14	1,00			--
0060		VTVT24209		SCREW TCEI 6X12 UNI5931	2,00			--
0061		MLML75961		SPRING D. 16 L.80	1,00			--
0062		VTVT45395		SCREW TBEI M 8X 10 ISO 7380 ZB	2,00			--
0063		VTRS15959		WASHER D. 4X12 UNI 6593	7,00			--
0064		CUVR46942		BALL BEARING 6001-2RS1 -SKF	2,00			--
0065		VTRS86510		WASHER 15X24 UNI6592	1,00			--
0066		VTRS86634		WASHER 6X18X1,5 UNI6593	4,00			--
0067		MEVR00080		FUSE-HOLDER PV610 10A	1,00			--
0068		MEVR00079		FUSE 3.15A 250V 5X20	1,00			--
0069		LAFN00772		PLATE PORTA ATTUATORE 1300/1200	1,00			--



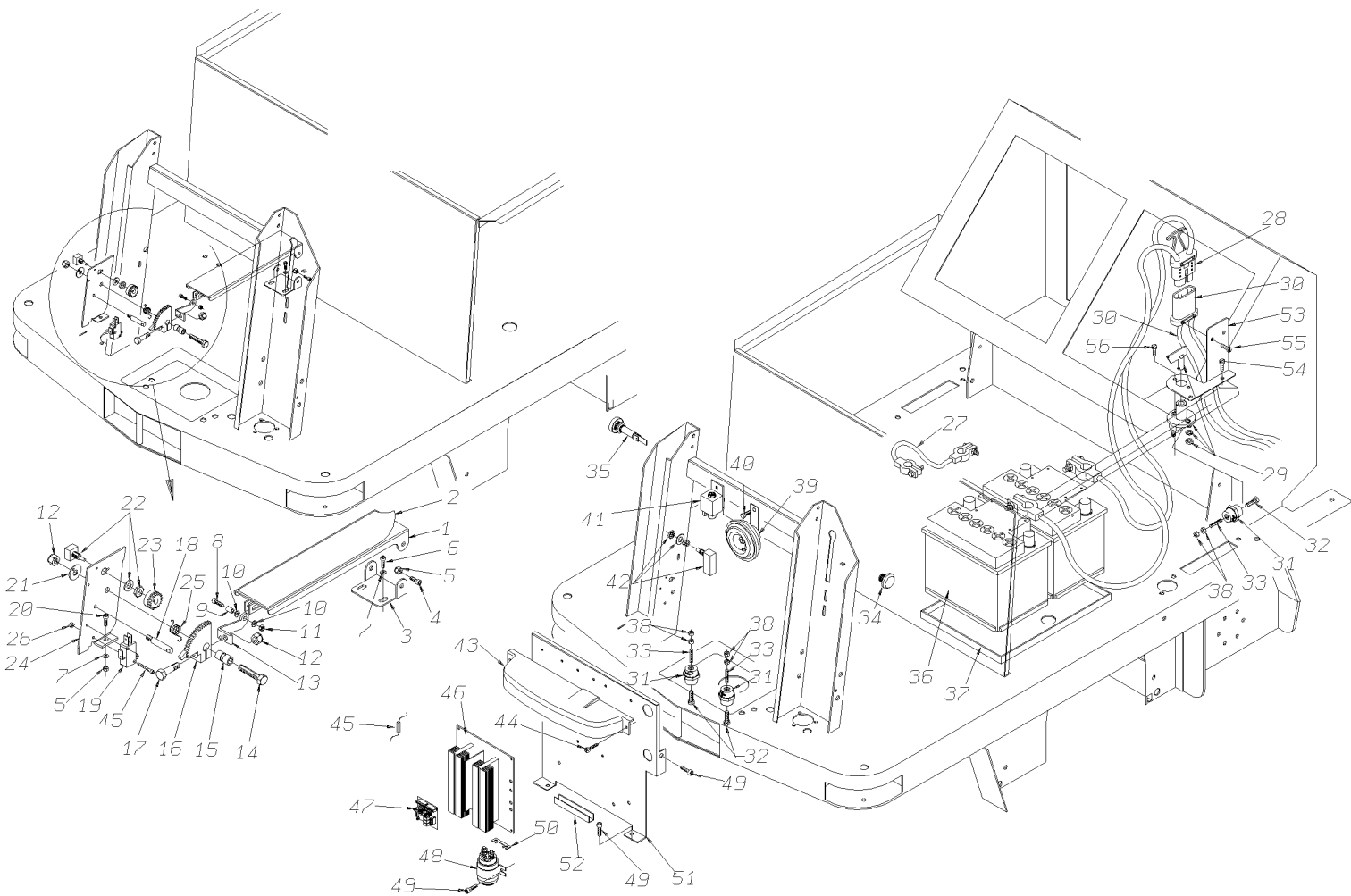
Ref. K	Part N.	Customer Part N.	Description	Qty	Validity: From To	Price
0001	SPPV00018		BRUSH LATERALE TK1300/TK1200	2,00		--
0002	VTVT62920		SCREW TE F/ROND. M 6X 16 ZB	10,00		--
0003	VTRS63242		WASHER D. 6 X24 ZC	2,00		--
0004	VTVR33667		KEY 5x 5x25 UNI 6604A	2,00		--
0005	LAFN45010		FLANGE L.1400 LT.	2,00		--
0006	RDGR75785		MOTOR.GEARBOX AOMP140 24V 90W SX	1,00		--
0007	RDGR75784		MOTOR.GEARBOX AOMP140 24V TK1000	1,00		--
0008	VTVT09913		SCREW TCEI 6X16 UNI5931	8,00		--
0009	LAFN00784		ARM DX ALZA SPAZ.LAT.COMPL.	1,00		--
0010	LAFN00785		ARM SX ALZA SPAZ.LAT.COMPL.	1,00		--
0011	MPVR47066		PROTECTOR L.14	2,00		--
0012	LAFN00766		GUIDE ALBERO SPAZ.LAT.DX 1300zn	1,00		--
0013	LAFN00767		GUIDE ALBERO SPAZ.LAT.SX ZB	1,00		--
0014	LAFN47070		FLANGE L.14 LT.	2,00		--
0015	LAFN47081		SPACER L.14	2,00		--
0016	VTAE12644		CIRCLIP D. 30 UNI 7435	2,00		--
0017	VTVT09913		SCREW TCEI 6X16 UNI5931	6,00		--
0018	VTRS00011		WASHER UNI 6592 6X12 ZB	6,00		--
0019	MEVR00114		CLAMP FISS.GUAINA NYLON 200X2.5	4,00		--
0020	VTVT00016		SCREW TE UNI 5739 8X30 ZB	2,00		--
0021	VTRS87283		WASHER D.8X24X2,5 ZB UNI 6593	4,00		--
0022	VTDD87083		NUT AUTO BLOCK M8 DIN 985 ZB	4,00		--
0023	VTDD00004		NUT UNI 5588 M6 ZB	2,00		--
0024	VTDD00010		NUT AUTOBLOK DIN 985 M6 BASSO	2,00		--
0025	LAFN47080		SCREW L.14	2,00		--
0026	ALTR00028		ROD ROTAZ.SPAZ.LAT.COMPL.	2,00		--
0027	MLML45102		SPRING TR	2,00		--
0028	VTVT24209		SCREW TCEI 6X12 UNI5931	2,00		--
0029	VTRS63242		WASHER D. 6 X24 ZC	2,00		--
0030	VTDD00006		NUT UNI 5588 M10 ZB	4,00		--
0031	VTVR47072		ARTICULATION AS M10	2,00		--
0032	LAFN47073		ARM L.14 DX	1,00		--
0033	LAFN47078		ARM L.14 SX	1,00		--
0034	MPVR86579		SUPPORT TK	2,00		--
0035	ABGO00008		VIBRATION DAMP.PM 20X20 M6X20	2,00		--
0036	VTDD00004		NUT UNI 5588 M6 ZB	2,00		--
0037	VTVT75726		SCREW TBEI M 6X 16 ISO 7380 ZB	4,00		--
0038	VTRS86634		WASHER 6X18X1,5 UNI6593	4,00		--
0039	VTAE87276		SEEGER EXT. D10 DIN471	2,00		--



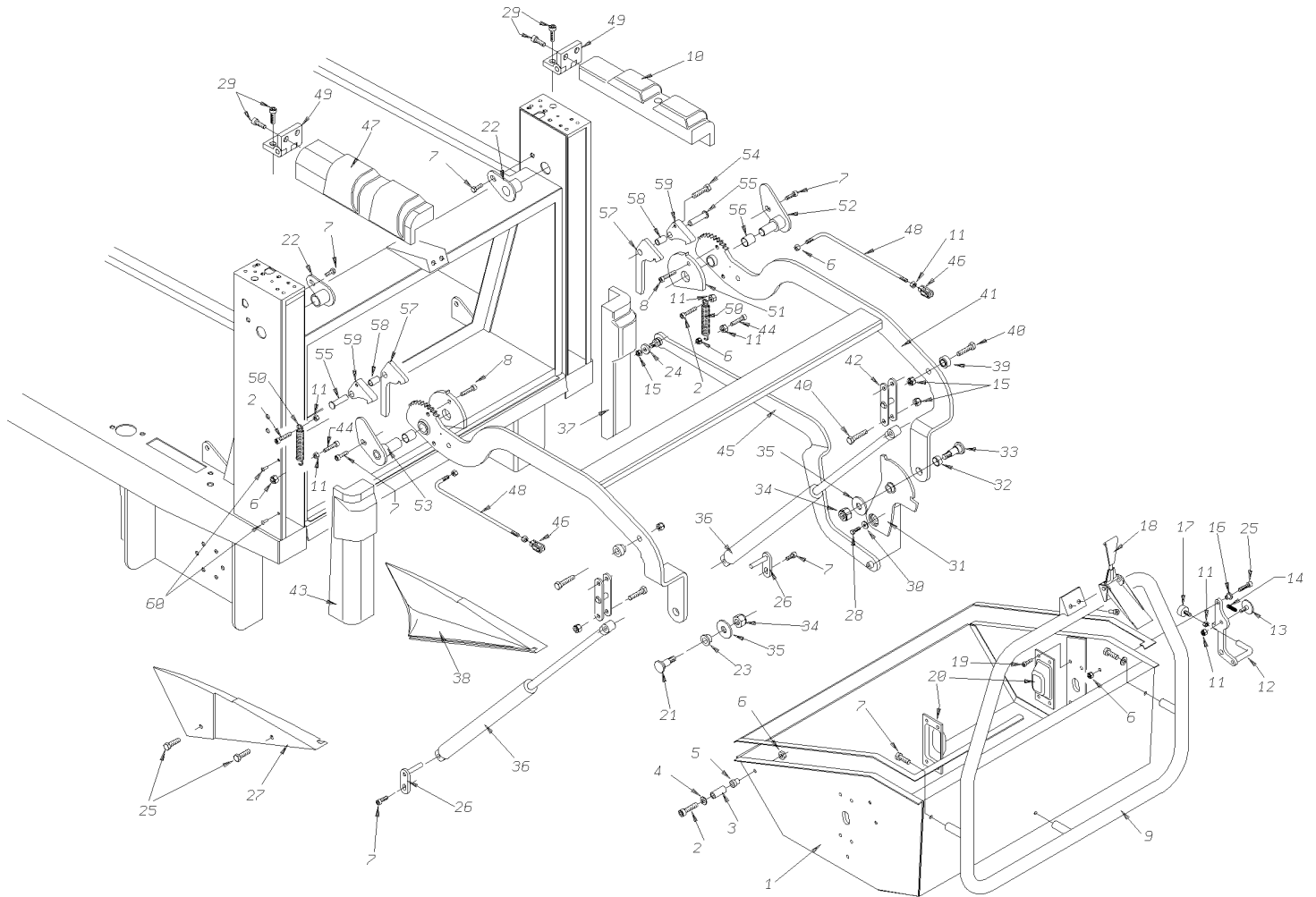
Ref. K	Part N.	Customer Part N.	Description	Qty	Validity:		Price
					From	To	
0040	VTRS00012		WASHER UNI 6592 10X21 ZB	2,00			--
0041	MLML47075		SPRING D.15X 24 X1.5	2,00			--
0042	MPVR47074		BUSHING L.14 INT.	2,00			--
0043	MPVR47076		BUSHING L.14 EXT.	2,00			--
0044	MPVR47077		KNOB L.14	2,00			--
0045	VTVT00008		SCREW TE UNI 5739 6X30 ZB	2,00			--



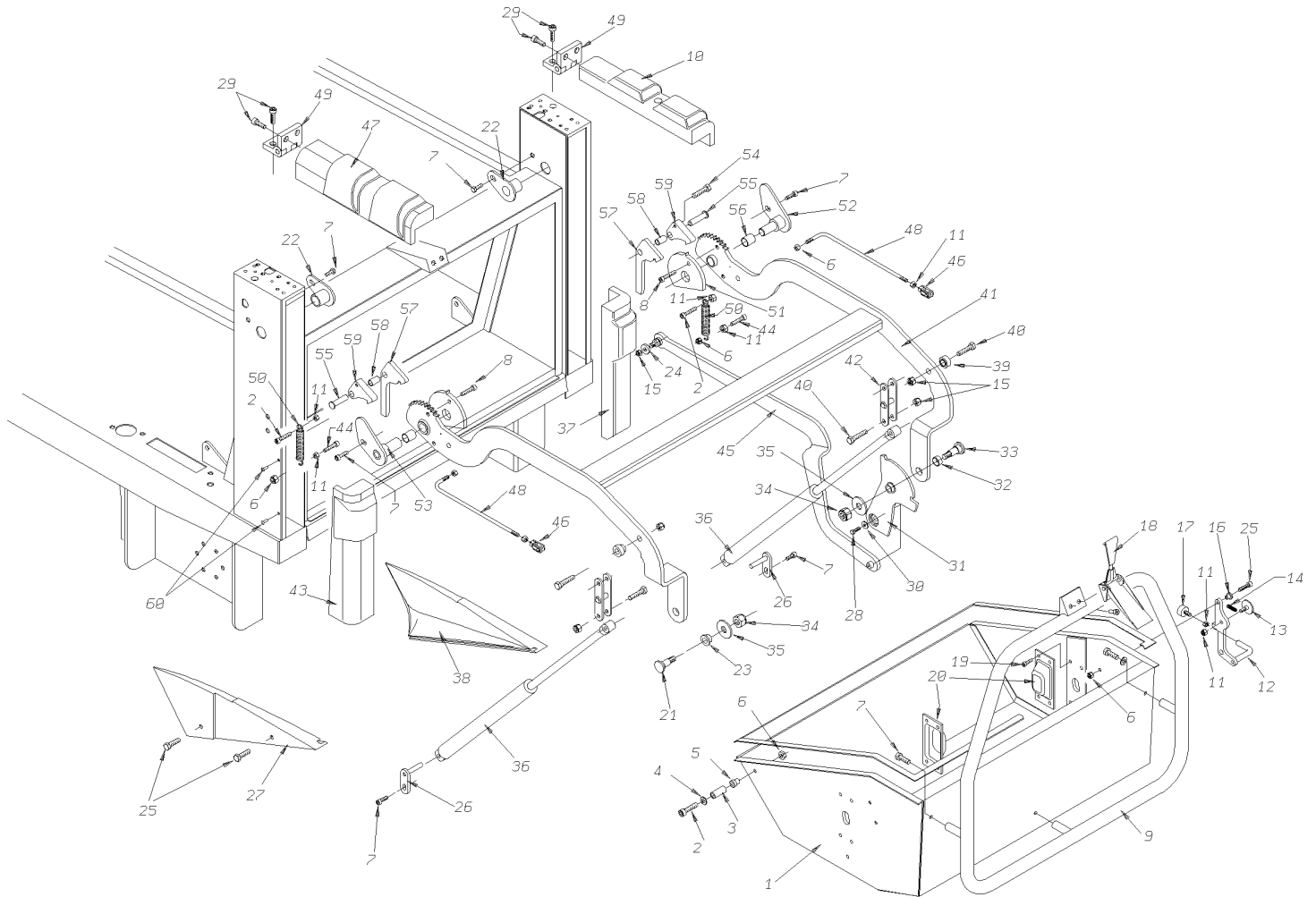
Ref.	K	Part N.	Customer Part N.	Description	Qty	Validity: From To	Price
0001		LAFN47086		PEDALE L.14	1,00		--
0002		MPVR47092		PLANE L.14	1,00		--
0003		LAFN47089		SUPPORT L.14 ACC.	1,00		--
0004		VTVT75725		SCREW TBEI M 6X 10 ISO 7380 ZB	2,00		--
0005		VTDD00010		NUT AUTOBLOK DIN 985 M6 BASSO	2,00		--
0006		VTVT75726		SCREW TBEI M 6X 16 ISO 7380 ZB	2,00		--
0007		VTRS00011		WASHER UNI 6592 6X12 ZB	2,00		--
0008		VTVT00085		SCREW TCCE UNI 5931 5X25 ZB	1,00		--
0009		LAFN47091		BUSHING L.14 ACC.	1,00		--
0010		VTRS15958		WASHER D. 5 X15 UNI 6593	2,00		--
0011		VTDD00003		NUT UNI 5588 M5 ZB	1,00		--
0012		VTDD87083		NUT AUTO BLOCK M8 DIN 985 ZB	2,00		--
0013		LAFN47085		CONNECTING ROD L.14	1,00		--
0014		VTVT00017		SCREW TE UNI 5739 8X35 ZB	1,00		--
0015		LAFN47084		BUSHING L.14	1,00		--
0016		MTIG85317		GEAR SW 1000	1,00		--
0017		VTVT00016		SCREW TE UNI 5739 8X30 ZB	1,00		--
0018		LAFN75969		PIN D.9 H.33	1,00		--
0019		MEVR47087		POTENTIOMETER L.14	1,00		--
0020		VTVT09913		SCREW TCEI 6X16 UNI5931	1,00		--
0021		VTRS87283		WASHER D.8X24X2,5 ZB UNI 6593	1,00		--
0022		MEVR47087		POTENTIOMETER L.14	1,00		--
0023		MTIG85318		GEAR SW 1000	1,00		--
0024		LAFN47090		BRACKET SIST.ACC. L.14	1,00		--
0025		MLML85997		SPRING D. 2 TK1000	1,00		--
0026		VTDD00001		NUT UNI 5588 M3 ZB	6,00		--
0027		MECB44778		CABLE BATT. 1X16 L.1400	3,00		--
0028		MECB44779		WIRING INTERNO BATTERIE	1,00		--
0029		AZMC75803		DIASASS.SPANNERSW 1000	1,00		--
0030		MEVR44180		PLUG FT 80	1,00		--
0031		MEVR47082		INSULATOR M6 35-CH32	3,00		--
0032		VTVT75719		SCREW TE F/ROND. M 6 X 10	3,00		--
0033		VTVT47088		SCREW EI-ST 6X30 UNI5923 ZC	2,00		--
0034		MPVR00048		CAP DIAM.22 NERO P9ARHPR	1,00		--
0035		MECI00028		BUTTON DI EMERGENZA TK1400 24V	1,00		--
0036		BAAC00008		BATTERY 12V 120AH SEMITRAZIONE	2,00		--
0037		LAFN46836		BATTERY SUPPORTL.14000 TK	1,00		--
0038		VTDD00004		NUT UNI 5588 M6 ZB	6,00		--
0039		MEVR47083		KLAXON L.14 24V	1,00		--



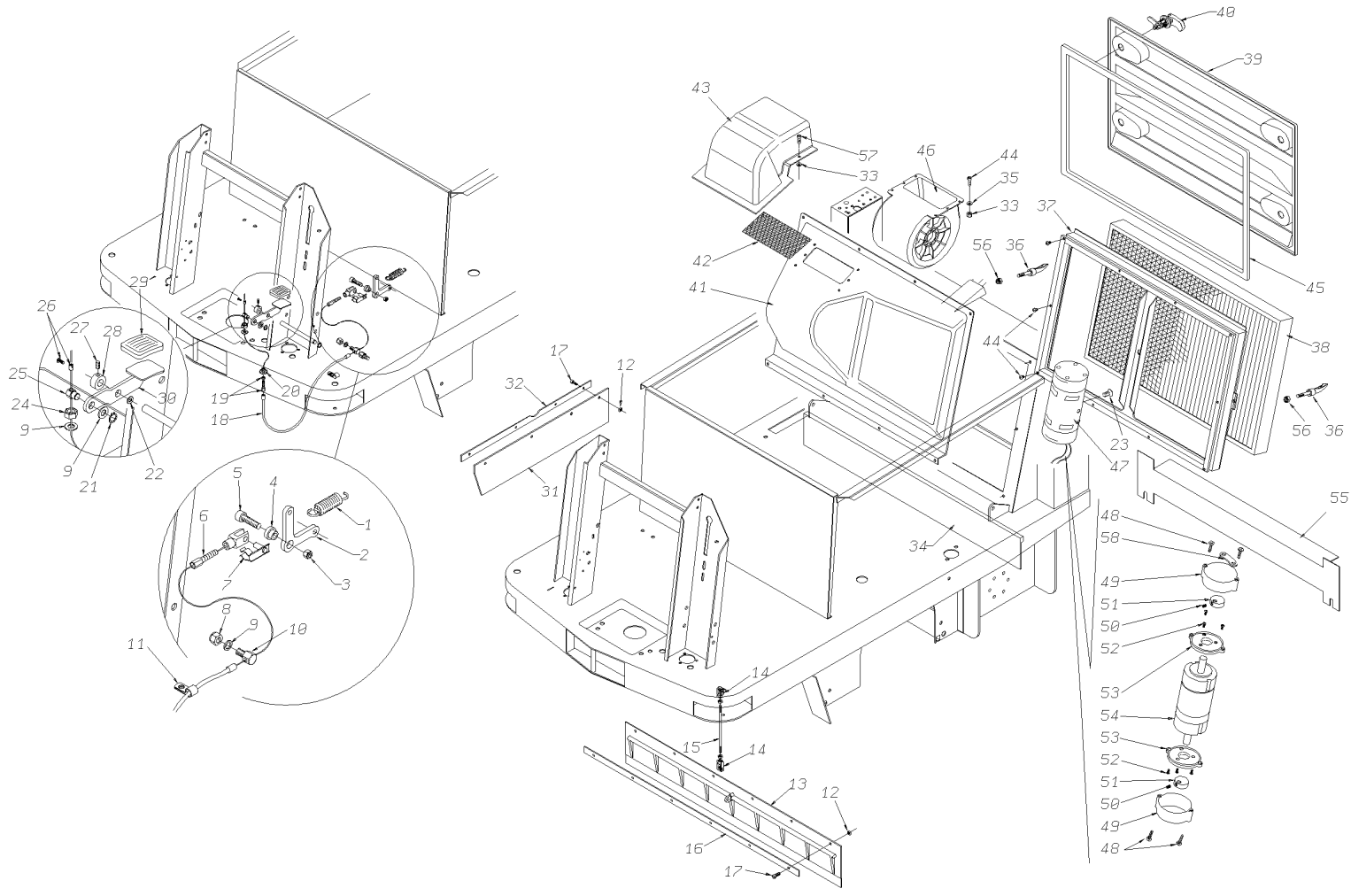
Ref. K	Part N.	Customer Part N.	Description	Qty	Validity:		Price
					From	To	
0040	VTVT85116		SCREW TE FR 6,3X19 ZIN	2,00			--
0041	MECE85520		SWITCH RELAY 24V 220W	1,00			--
0042	MECI75801		MICROSWITCH TK	2,00			--
0043	MPVR45718		COVER L.14	1,00			--
0044	VTVT00098		SCREW AUTOF.TC UNI 6954 3,9X9,5	2,00			--
0045	MEVR00027		RESISTANCE COREZZATA 100 OHM 25W	1,00			--
0046	MECE00013		PCB POTENZA G1200 COMPL.	1,00			--
0047	MECE45124		PCB RELE' L.1400	1,00			--
0048	METT45116		CONTACTOR 24V T106 P	1,00			--
0049	VTVT62920		SCREW TE F/ROND. M 6X 16 ZB	4,00			--
0050	MEVR00067		FUSE A BARRA 100A	1,00			--
0051	LAFN45988		PLATE L.14	1,00			--
0053	LAFN87621		PLATE PORTA PRESA TK1300/1200	1,00			--
0054	VTVT00060		SCREW TSPEI M 6 X16 U.5933 ZC	2,00			--
0055	VTVT00105		SCREW TCTC INOX 4X30	2,00		03/2003	--
0055	VTVT00128		SCREW TC M4X30	2,00	03/2003		--
0056	VTVT09913		SCREW TCEI 6X16 UNI5931	2,00			--
0057	VTVT00021		SCREW TE UNI 5739 3X25 ZB	2,00			--



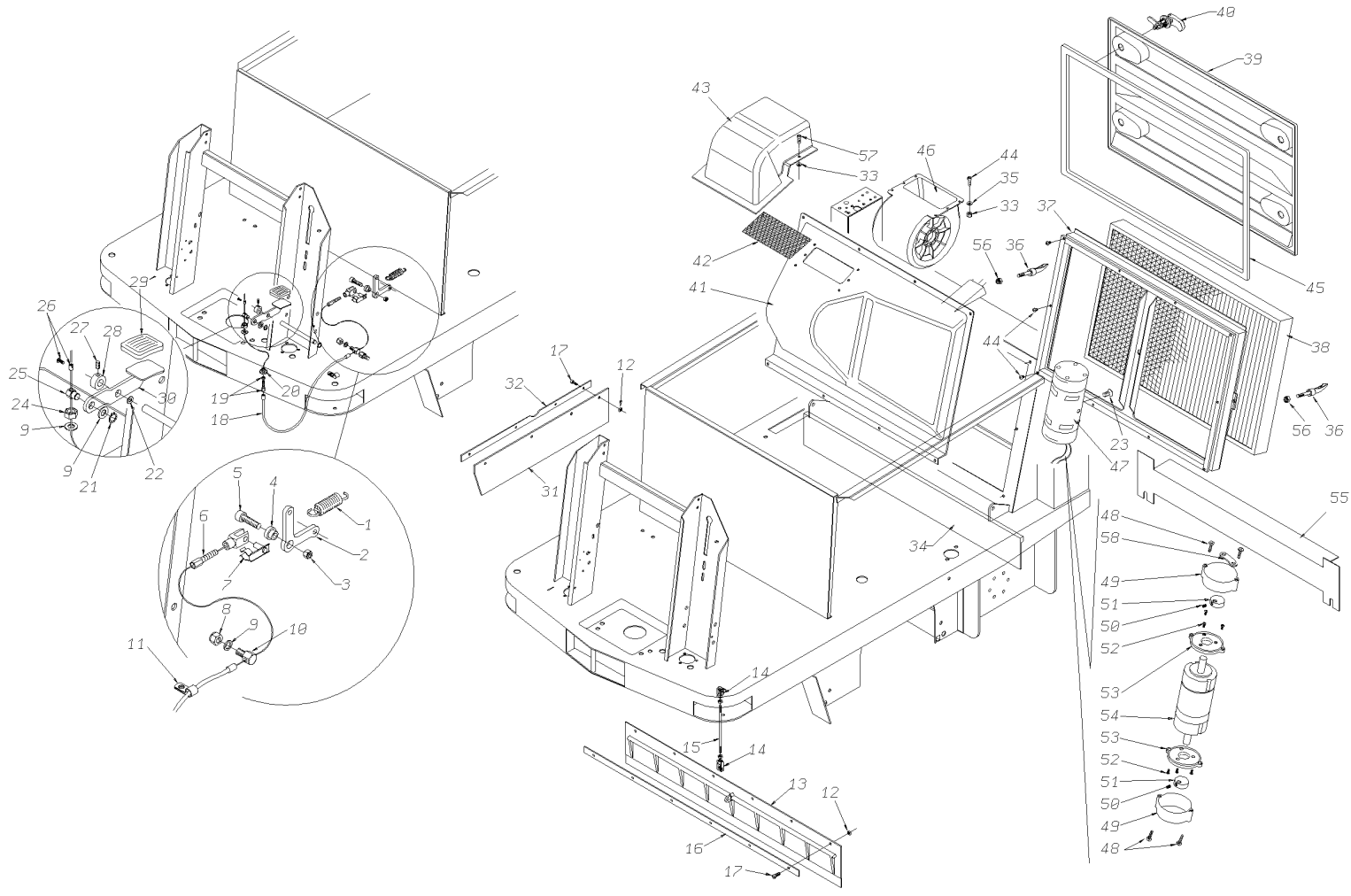
Ref. K	Part N.	Customer Part N.	Description	Qty	Validity:		Price
					From	To	
0001	LAFN00245		DRAWER TK1200 COMPL.RAL7024 SOLL	1,00			--
0002	VTVT63029		SCREW TCEI M 6X 35 UNI 5931 ZB	3,00			--
0003	LAFN00141		BUSHING RULLINO CASSETTO TK1200	1,00			--
0004	VTRS00011		WASHER UNI 6592 6X12 ZB	1,00			--
0005	LAFN00635		ROLLER CASSETTO TK1200	1,00			--
0006	VTDD19688		NUT M6 UNI 7473	6,00			--
0007	VTVT62920		SCREW TE F/ROND. M 6X 16 ZB	7,00			--
0008	VTVT00074		SCREW TCCE UNI 5931 8X16 ZB	2,00			--
0009	LAFN00410		HANDLE CASSETTO COMPLETO RAL7024	1,00			--
0010	MPVR00294		BUMPER POSTERIORE SUP.DX TK1200	1,00			--
0011	VTDD00004		NUT UNI 5588 M6 ZB	8,00			--
0012	LAFN00354		LEVER SGANCIO CASSETTO	1,00			--
0013	LAFN00504		PIN MOLLA LEVA SGANCIO TK1200	1,00			--
0014	MLML00021		SPRING CHIAVISTELLO ROT.CASSETTO	1,00			--
0015	VTDD87083		NUT AUTO BLOCK M8 DIN 985 ZB	5,00			--
0016	LAFN00506		PIN LEVA SGANCIO	1,00			--
0017	ABGO00008		VIBRATION DAMP.PM 20X20 M6X20	1,00			--
0018	CHVR00001		CLOSURE A LEVA TK1000 2.40.08/6	1,00			--
0019	VTVT75719		SCREW TE F/ROND. M 6 X 10	8,00			--
0020	MPVR00284		COWLING COPRI PERNO	2,00			--
0021	LAFN00502		PIN CASSETTO	1,00			--
0022	LAFN00515		PIN BRACCIO	2,00			--
0023	LAFN00023		WASHER SPALLAMENTO CASSET.TK1200	1,00			--
0024	VTRS87283		WASHER D.8X24X2,5 ZB UNI 6593	1,00			--
0025	VTVT24209		SCREW TCEI 6X12 UNI5931	5,00			--
0026	LAFN00508		PIN MOLLA GAS COMPLETO	2,00			--
0027	MPVR00286		CONVEYOR CASSETTO SX TK1200	1,00			--
0028	VTVT17639		SCREW TCEI M 5X10 UNI 5931	1,00			--
0029	VTVT09913		SCREW TCEI 6X16 UNI5931	8,00			--
0030	VTRS00016		WASHER UNI 6593 5X20X1,5 ZB	1,00			--
0031	LAFN00792		BRACKET PARELLOGRAMMA COMPLETO	1,00			--
0032	LAFN00143		BUSHING BRACCIO	2,00			--
0033	LAFN00502		PIN CASSETTO	1,00			--
0034	VTDD00011		NUT AUTOBLOK DIN 985 M10	2,00			--
0035	VTRS00514		WASHER D.10X30X11.4	2,00			--
0036	MLML00004		SPRING A GAS X CASSETTO TK 1200	2,00			--
0037	MPVR00292		BUMPER POSTERIORE INF.DX TK1200	1,00			--
0038	MPVR00285		CONVEYOR CASSETTO DX TK1200	1,00			--
0039	LAFN00503		PIN BIELLA	2,00			--



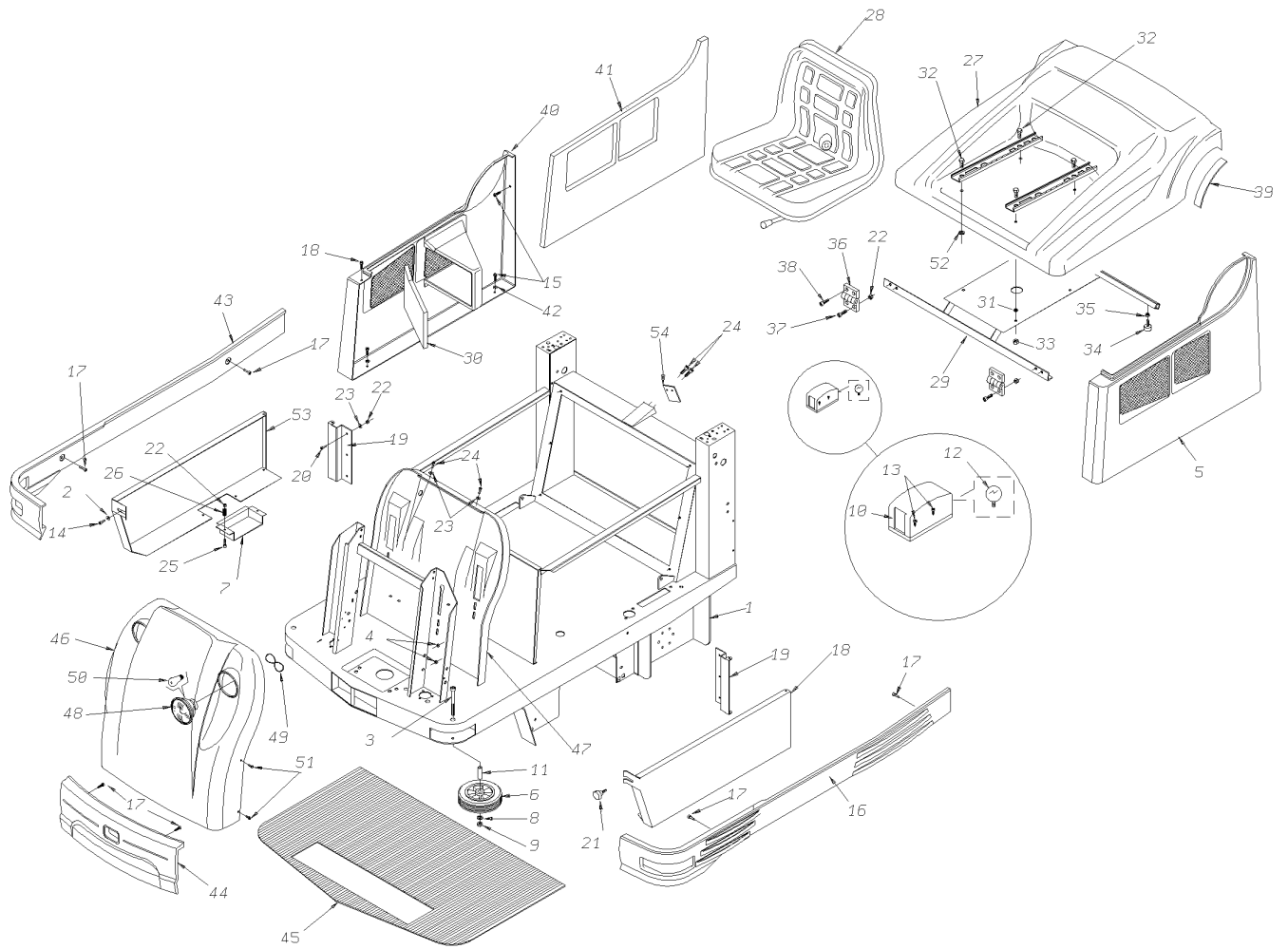
Ref.	K	Part N.	Customer Part N.	Description	Qty	Validity:		Price
						From	To	
0040		VTVT00017		SCREW TE UNI 5739 8X35 ZB	4,00			--
0041		LAFN00789		ARM SOLLEVAM.TK1200 COMPL ZIN	1,00			--
0042		LAFN00355		CONNECTING ROD COMPLETA	2,00			--
0043		MPVR00293		BUMPER POSTERIORE INF.SX TK1200	1,00			--
0044		VTVT00090		SCREW TE UNI 5739 6X25 ZB	2,00			--
0045		LAFN00788		ARM PRALELOGRAMMA COMPL.1200	1,00			--
0046		CMCV75717		CLIP UNI 1676 M6	2,00			--
0046		CMCV76639		FORK M 6 UNI 1676	2,00			--
0047		MPVR00295		BUMPER POSTERIORE SUP.SX TK1200	1,00			--
0048		LAFN00797		CONTOLE ROD PARAURTI POSTERIORE COMPL	2,00			--
0049		CEVR85332		HINGE MEB F D.6 TK	2,00			--
0050		MLML00022		SPRING GANCIO ARPIONE	2,00			--
0051		LAFN00323		FLANGE SGANCIO SOLLEVAMENTO 1200	2,00			--
0052		LAFN00511		PIN ESTERNO BRACCIO DESTRO	1,00			--
0053		LAFN00512		PIN ESTERNO BRACCIO SINISTRO	1,00			--
0054		VTVT12255		SCREW TCEI 6X25 UNI5931	2,00			--
0055		LAFN00505		PIN GANCIO ARPIONE TK 1200	2,00			--
0056		MPVR47125		BUSHING D. 16X18X20 GLYC.	2,00			--
0057		LAFN00790		HOOK ARPIONE BRACCIO	2,00			--
0058		MPVR00011		BUSHING GLYCODUR GLY.PG 10-12-20F	2,00			--
0059		LAFN00791		HOOK ARPIONE	2,00			--
0060		VTVT06237		SCREW TCEI 6X20 UNI5931	4,00			--



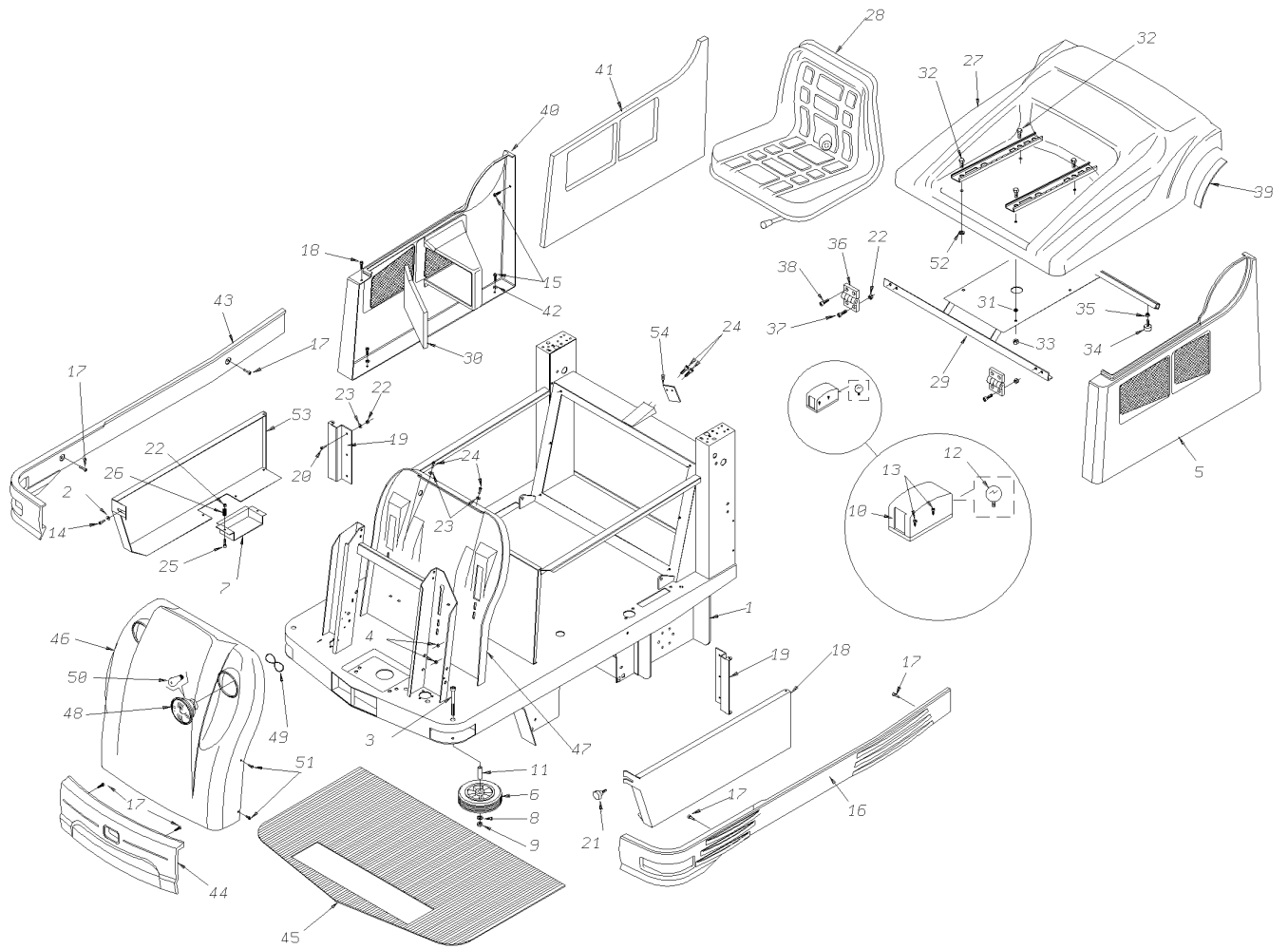
Ref. K	Part N.	Customer Part N.	Description	Qty	Validity:		Price
					From	To	
0001	MLML45109		SPRING TR D. 12X1.7X79.5	1,00			--
0002	LAFN47128		LEVER L.14	1,00			--
0003	VTDD87083		NUT AUTO BLOCK M8 DIN 985 ZB	1,00			--
0004	LAFN47129		BUSHING L.14 A.FLAP	1,00			--
0005	VTVT00016		SCREW TE UNI 5739 8X30 ZB	1,00			--
0006	CMCV87172		CABLE ALZA FLAP 2125404	1,00			--
0007	CMCV75717		CLIP UNI 1676 M6	3,00			--
0008	VTDD00012		NUT AUTOBLOK DIN 985 M12 ZB	1,00			--
0009	VTRS86510		WASHER 15X24 UNI6592	4,00			--
0010	LAFN75976		SPRING GUIDE TK 1000	1,00			--
0011	FSVR00005		CLAMP TIPO "ECO"FORO MM8 D.1 W0	1,00			--
0012	VTVR47015		INSERT PLS. D.3	4,00			--
0013	MPVR00754		FLAP ANTERIORE TK1200 COMPL.	1,00			--
0014	CMCV76639		FORK M 6 UNI 1676	2,00			--
0015	LAFN00517		PIN TIRANTE ALZAFLAP ZINC.	1,00			--
0016	LAFN00324		CLAMP FLAP ANTER.TK1200 ZINC.	1,00			--
0017	VTVT00106		SCREW AUTOFIL. TC 3,5X14,5	4,00			--
0018	CMCV75904		BRAKE SHEATH TK 1000E/S	1,00			--
0019	CMCV75723		REGISTER D.7	1,00			--
0020	LAFN75975		PIN TK	1,00			--
0021	VTAE14016		CIRCLIP D. 12 UNI 7435	2,00			--
0022	VTRS00012		WASHER UNI 6592 10X21 ZB	1,00			--
0023	VTVT47143		SCREW TSPEI M 10X 16 ZC UNI5933	1,00			--
0024	VTDD00007		NUT UNI 5588 M12 ZB	1,00			--
0025	LAFN75973		PIN FLAP TK	1,00			--
0026	CMCV47134		CLAMP VL D.7 A.C7035	1,00		04/2003	--
0026	VTVR00028		CLAMP PER CASSETTO G1300	1,00	04/2003		--
0027	VTVT75731		SCREW UNI 5923 6 X5	1,00			--
0028	LAFN47030		BUSHING L.14	1,00			--
0029	MPVR45096		RUBBER V 1201 GR.	1,00			--
0030	LAFN47133		PEDALE L.14 FLAP	1,00			--
0031	MPVR00750		FLAP LATERALE DX/SX TK1300	1,00			--
0032	LAFN00319		FLAP LOCK LATERALE TK1300 ZINCATO	1,00			--
0033	VTDD00010		NUT AUTOBLOK DIN 985 M6 BASSO	8,00			--
0034	MPVR00755		FLAP POSTERIORE FISSO TK1200	1,00			--
0035	VTRS00011		WASHER UNI 6592 6X12 ZB	6,00			--
0036	PMVR00290		HANDLE BLOCCAG.FILTRO TK1200	2,00			--
0037	PMVR00289		FRAME PORTA FILTRO	1,00			--
0038	FTDP76067		FILTER SW1000	1,00			--



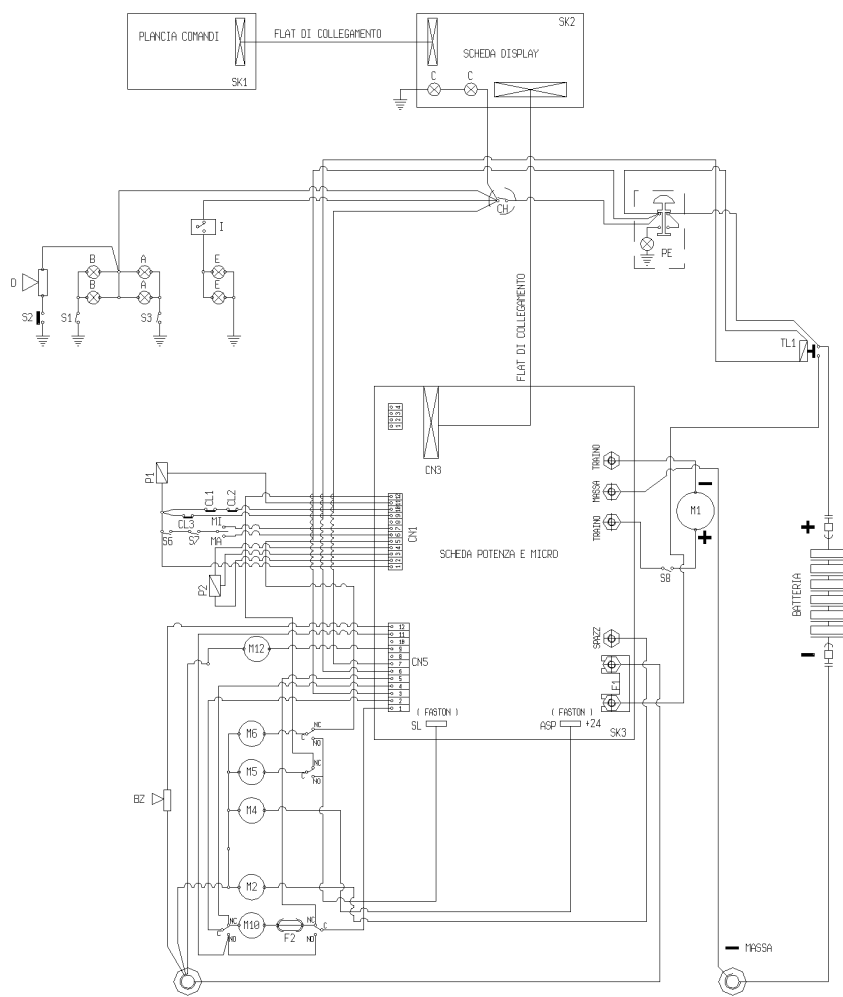
Ref. K	Part N.	Customer Part N.	Description	Qty	Validity:		Price
					From	To	
0039	MPVR45784		COVER CHIUSURA FILTRO	1,00			--
0040	KTRI00025		LOCK TEK COMPLETA	4,00			--
0042	LAFN00908		BRACKET VENTOLA	1,00			--
0043	PMVR00500		TUNNEL ESPULSIONE ARIA TK1200	1,00			--
0044	VTVT75726		SCREW TBEI M 6X 16 ISO 7380 ZB	18,00			--
0045	GUVR46899		GASKET COPERCHIO	1,00			--
0046	MOCC00008		MOTOR VENTOLA ASPIRAZ.TK1200	1,00			--
0047	PMQE00001		MOTOR SCUOTIF.ELETTR.COMPL. 24V	1,00			--
0048	VTVT47138		SCREW TSP-TC 3,9X32 ZC. UNI6955	8,00			--
0049	LAFN47139		MOTOR COVER L.14 FILT.	4,00			--
0050	VTVT75731		SCREW UNI 5923 6 X5	4,00			--
0051	LAFN47140		BUSHING L.14	4,00			--
0052	VTVT76616		SCREW M 4x18 STEAM GUN	12,00			--
0053	MFVR47141		FLANGE MOTOR L.14	4,00			--
0054	MOCC00004		MOTOR D.63 24V G3800 W35	2,00			--
0055	LAFN00855		BRACKET BLOCCA FILTRO G1200 VERN.	1,00			--
0056	VTDD13261		NUT M 8X1 UNI 5589	4,00			--
0057	VTVT62920		SCREW TE F/ROND. M 6X 16 ZB	2,00			--
0058	MPVR00765		RUBBER FISSAGGIO FILO SCUOTIFIL.	2,00			--



Ref. K	Part N.	Customer Part N.	Description	Qty	Validity: From To	Price
0001	LAFN01024		FRAME TK1200 GRIGIO RAL7024	1,00		--
0002	VTRS86634		WASHER 6X18X1,5 UNI6593	1,00		--
0003	VTVT04857		SCREW TCEI M 10X70 UNI 5931	2,00		--
0004	VTDD00013		NUT INGABBIATO UNI 3740 M6	4,00		--
0005	PMLA00019		BODY SIDE LAT.SX COM.TK1200 GRIGIO	1,00		--
0006	RTRT47010		WHEEL D.150-D.15 X45 L.14	2,00		--
0007	LAFN00776		PROTECTION CING.PORT.LAT DX 1300/200	1,00		--
0008	VTRS00012		WASHER UNI 6592 10X21 ZB	2,00		--
0009	VTDD00011		NUT AUTOBLOK DIN 985 M10	2,00		--
0010	MELF85067		LANTERN FLASH 21W 24V OR.	2,00		--
0011	LAFN47011		BUSHING L.14	2,00		--
0012	MELF33431		LAMP 24 V 21 W	2,00		--
0013	VTVT19236		SCREW TCEI 5X20 UNI 5931	4,00		--
0014	VTVT62920		SCREW TE F/ROND. M 6X 16 ZB	3,00		--
0015	VTVT09913		SCREW TCEI 6X16 UNI5931	8,00		--
0016	MPVR00268		BUMPER LATERALE SX G1200-1300	1,00		--
0017	VTVT00074		SCREW TCCE UNI 5931 8X16 ZB	8,00		--
0018	LAFN00782		BODY SIDE DX	1,00		--
0019	CEVR00001		HINGE X PORTELLI TK1300 ZINCATA	2,00		--
0020	VTVT75719		SCREW TE F/ROND. M 6 X 10	2,00		--
0021	RTRT00022		HANDWHEEL D.30 M6X15	1,00		--
0022	VTDD00010		NUT AUTOBLOK DIN 985 M6 BASSO	2,00		--
0023	VTRS00011		WASHER UNI 6592 6X12 ZB	2,00		--
0024	VTVT75726		SCREW TBEI M 6X 16 ISO 7380 ZB	2,00		--
0025	VTVT12255		SCREW TCEI 6X25 UNI5931	2,00		--
0026	MLML46644		SPRING D. 6	2,00		--
0027	MPVR00287		HOOD SUPERIORE TK1200 GRIGIO	1,00		--
0028	SESD00003		SEAT TK1300 CON MICRO.E GUIDE	1,00		--
0029	LAFN01023		FRAME PORTASEDILE TK1200 COMPL.	1,00		--
0031	VTRS76640		WASHER 8 X 17	4,00		--
0032	VTVT00015		SCREW TE UNI 5739 8X25 ZB	4,00		--
0033	VTDD87083		NUT AUTO BLOCK M8 DIN 985 ZB	4,00		--
0034	ABGO00008		VIBRATION DAMP.PM 20X20 M6X20	2,00		--
0035	VTDD00004		NUT UNI 5588 M6 ZB	2,00		--
0036	CEVR85332		HINGE MEB F D.6 TK	2,00		--
0037	VTVT06237		SCREW TCEI 6X20 UNI5931	4,00		--
0038	VTVT12255		SCREW TCEI 6X25 UNI5931	4,00		--
0040	PMLA00020		BODY SIDE LAT.DX COM.TK1200ET GRIG.	1,00		--
0042	VTRS86634		WASHER 6X18X1,5 UNI6593	8,00		--



Ref. K	Part N.	Customer Part N.	Description	Qty	Validity:		Price
					From	To	
0043	MPVR00267		BUMPER LATERALE DX G1200-1300	1,00			--
0044	MPVR00271		BUMPER ANTERIORE G1200-1300	1,00			--
0045	MPVR00757		PLANE MILLERIGHE TK1200	1,00			--
0046	MPVR49249		COVER G 1400 ANT.	1,00			--
0047	MPVR00231		CRANKCASE FRONTALE INT.TK1400+TASCA	1,00			--
0048	MEVR00135		LANTERN G1400	2,00			--
0049	GUGO45326		O-RING D. 112 X 6 -NBR 70SH	2,00			--
0050	MELF87169		LAMP 12V 35W	2,00			--
0051	VTVT09916		SCREW TBEI M 6X 20 ISO 7380 ZB	6,00			--
0052	VTRS87283		WASHER D.8X24X2,5 ZB UNI 6593	4,00			--
0054	CHVR76643		SUPP.HOLDER	1,00			--



SK1	PLANCIA COMANDI	DASHBOARD
SK2	SCHEDA DISPLAY	DISPLAY CARD
SK3	SCHEDA POTENZA E MICRO	OUTPUT AND MICRO CARD
M1	MOTORE TRAZIONE 600 W 24V	TRACTION MOTOR 1000 W 24V
M2	MOTORE SPAZZOLA CENTRALE 500W 24V	MAIN BRUSH MOTOR 500W 24V
M4	MOTORE ASPIRAZIONE 200W 24V	RIGHT SUCTION MOTOR 130W 24V
M5	MOTORE SPAZZOLA LATERALE SX 90W 24V	LEFTSIDE BRUSH MOTOR 90W 24V
M6	MOTORE SPAZZOLA LATERALE DX 90W 24V	RIGHTSIDE BRUSH MOTOR 90W 24V
M10	MOTORE ATTUATORE S.C. 50W 24V	ACTUATOR MOTOR S . C 50W 24V
M12	MOTORE SCUOTIFILTRO DX 60W 24V	RIGHT FILTER SHAKER MOTOR 60W 24V
TL1	TELEATTUATORE INGRESSO GEN. 120A 24V	INPUT GEN. REMOTE CONTROL SWITCH 120A 24V
F1	FUSIBILE LAPELLARE 100A	FUSE STRIP 100A
F2	FUSIBILE ATTUATORE 3.15 A 5X20	ACTUATOR FUSE 3.15 A 5x20
A	LUCI POSIZIONE	PARKING LIGHTS
B	LUCI ANABBAGLIANTI	DIPPED HEADLIGHTS
C	LUCI DISPLAY	DISPLAY LIGHTS
D	AVVISATORE ACUSTICO	HORN
E	LUCI INTERMITTENTI	FLASHING LIGHTS
I	INTERMITTENTE	INTERMITTENZA
CH	INTERUTTORE CHIAVE	KEY SWITCH
P1	POTENZIOMETRO AVANZAMENTO 4K7	FEED POTENTIOMETER 4K7
P2	POTENZIOMETRO SPAZZOLE LATERALI 10K	SIDE BRUSH POTENTIOMETER 10K
CL1	SENSORE TEMPERATURA MOT. TRAZ. 95°	TEMPERATUR SENSOR TRACTION MOTOR 95°
PE	PULSANE EMERGENZA	EMERGENCY PUSHBUTTON
S1	INTERUTTORE LUCI ANABBAGLIANTI	DIPPED HEADLIGHTS SWITCH
S2	INTERUTTORE AVVISATORE ACUSTICO	HORN SWITCH
S3	INTERUTTORE LUCI POSIZIONE	PARKING LIGHTS SWITCH
MS	MSU SEATLE	MSU SEAT
SP	MSU PEDALE AVANZAMENTO	MSU FEED PEDAL
S8	CHIAVE INTERRUZIONE TRAINO	TOWING INTERRUPTION KEY
BZ	BUZZER	BUZZER

Ref.	K	Part N.	Customer Part N.	Description	Qty	Validity: From To	Price
000A		MEVR00135		LANTERN G1400	2,00	--	--
000B		MEVR00135		LANTERN G1400	2,00	--	--
000D		MEVR47083		KLAXON L.14 24V	1,00	--	--
000E		MELF85067		LANTERN FLASH 21W 24V OR.	2,00	--	--
000I		MECE85520		SWITCH RELAY 24V 220W	1,00	--	--
00CH		MECI75805		SWITCH TK	1,00	--	--
00F1		MEVR00067		FUSE A BARRA 100A	1,00	--	--
00F2		MEVR00079		FUSE 3.15A 250V 5X20	1,00	--	--
00M1		MOCC00007		MOTOR.GEARBOX TRAZIONE TK1300 DP	1,00	--	--
00M2		MOCC45100		TRACTION MOTOR CC L.14	1,00	--	--
00M4		MOCC00008		MOTOR VENTOLA ASPIRAZ.TK1200	1,00	--	--
00M5		RDGR75785		MOTOR.GEARBOX AOMP140 24V 90W SX	1,00	--	--
00M6		RDGR75784		MOTOR.GEARBOX AOMP140 24V TK1000	1,00	--	--
00P1		MEVR47087		POTENTIOMETER L.14	1,00	--	--
00P2		MECB00082		CABLE 26 CABLAG.SPAZZATR.TK1400	1,00	--	--
00PE		MECI00028		BUTTON DI EMERGENZA TK1400 24V	1,00	--	--
00S1		MECI44769		COMMUTAT.SWITCHL.1400	1,00	--	--
00S2		MECI44769		COMMUTAT.SWITCHL.1400	1,00	--	--
00S3		MECI44769		COMMUTAT.SWITCHL.1400	1,00	--	--
00S7		MEVR47087		POTENTIOMETER L.14	1,00	--	--
00S8		AZMC75803		DIASASS.SPANNERSW 1000	1,00	--	--
OCL1		MECI00035		DASHBOARD DI TEMPERATURA F11-95 NC	1,00	--	--
0M10		MOCC00009		ATUATOR SPAZZ.CENT. TK1400 24V	1,00	--	--
0M12		PMQE00001		MOTOR SCUOTIF.ELETT.R.COMPL. 24V	1,00	--	--
0SK1		MEVR00019		DASHBOARD A MEMBRANA X CRUSC.TK1200	1,00	--	--
0SK2		MECE44771		PCB DISPLAY L.1400	1,00	--	--
0SK3		MECE00013		PCB POTENZA G1200 COMPL.	1,00	--	--
0SK5		MECE45124		PCB RELE' L.1400	1,00	--	--
0TL1		METT45116		CONTACTOR 24V T106 P	1,00	--	--