

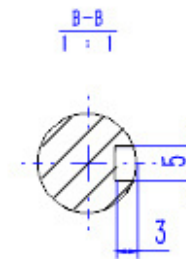
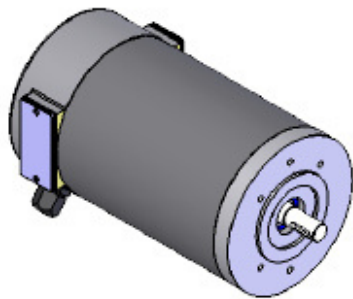
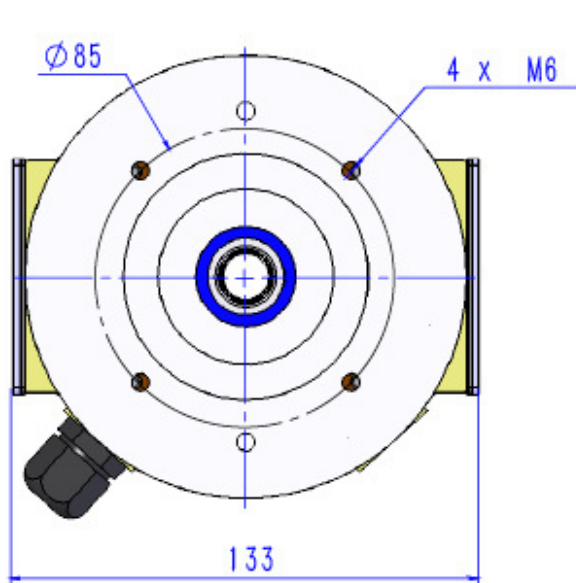
SECTION A-A

THIS DOCUMENT & ENCLOSED INFORMATION REMAIN THE PROPERTY OF ELECTRIC MOTOR POWER PTY LTD. INFORMATION HEREIN MAY NOT BE COPIED NOR DISCLOSED WITHOUT THE WRITTEN CONSENT BY MANAGEMENT OF ELECTRIC MOTOR POWER PTY LTD.

Description S5 DC Motor (D71B5)
14mm Shaft with 5mm Key Slot | 160mm Flange (D71B5 Frame)

Part Number M5-7171

Notes



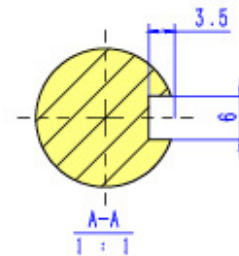
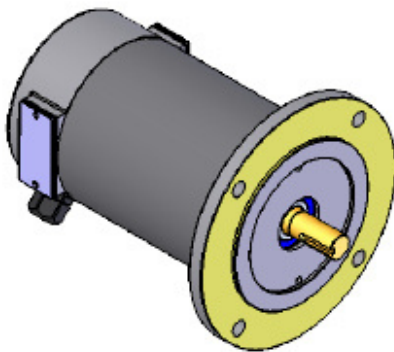
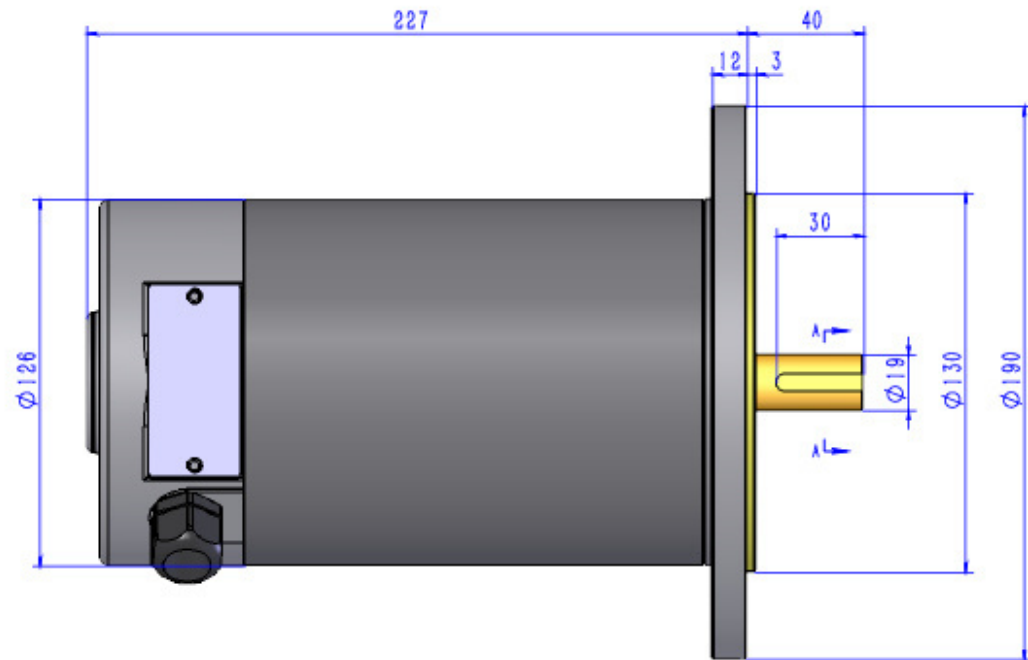
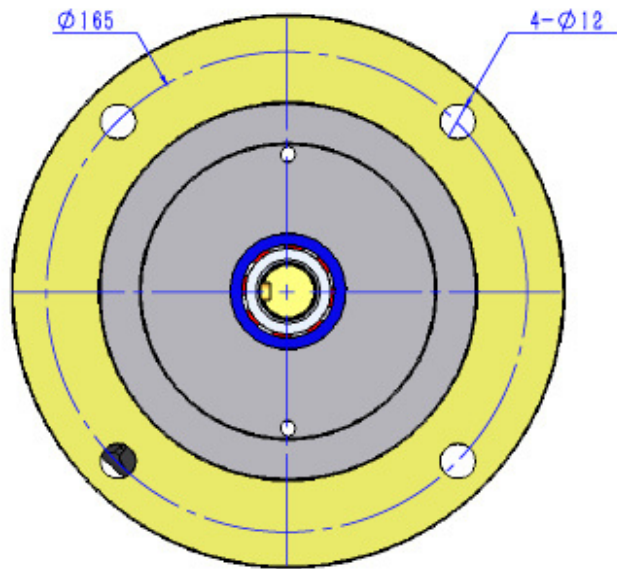
THIS DOCUMENT & ENCLOSED INFORMATION REMAIN THE PROPERTY OF ELECTRIC MOTOR POWER PTY LTD. INFORMATION HEREIN MAY NOT BE COPIED NOR DISCLOSED WITHOUT THE WRITTEN CONSENT BY MANAGEMENT OF ELECTRIC MOTOR POWER PTY LTD.

Description

Part Number M5-7172

Notes





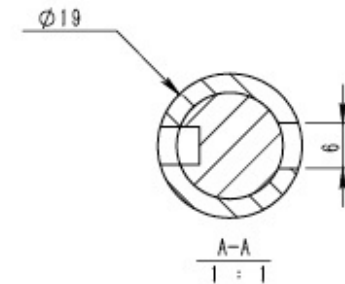
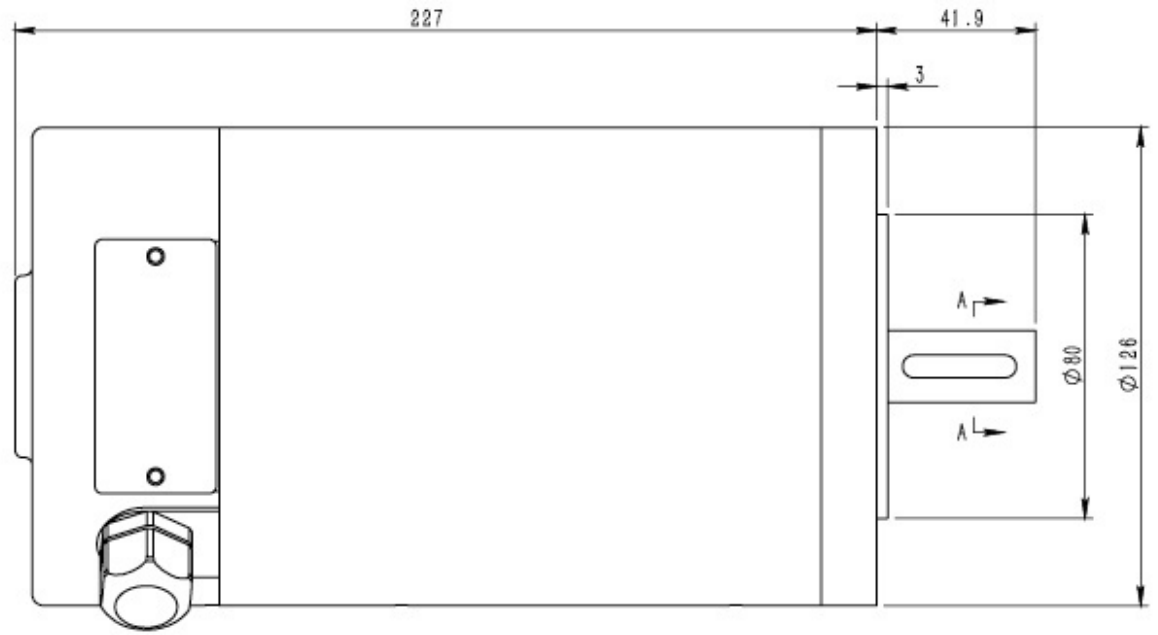
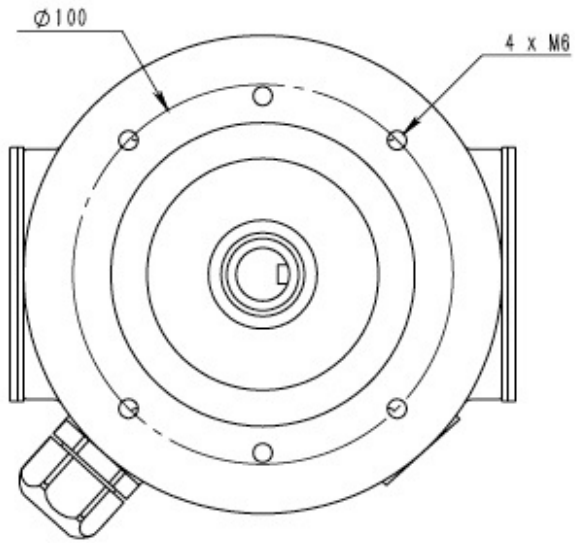
THIS DOCUMENT & ENCLOSED INFORMATION REMAIN THE PROPERTY OF ELECTRIC MOTOR POWER PTY LTD. INFORMATION HEREIN MAY NOT BE COPIED NOR DISCLOSED WITHOUT THE WRITTEN CONSENT BY MANAGEMENT OF ELECTRIC MOTOR POWER PTY LTD.

Description

Part Number M5-8080

Notes Customer is responsible for determining that motor is suitable for their application.





THIS DOCUMENT & ENCLOSED INFORMATION REMAIN THE PROPERTY OF ELECTRIC MOTOR POWER PTY LTD. INFORMATION HEREIN MAY NOT BE COPIED NOR DISCLOSED WITHOUT THE WRITTEN CONSENT BY MANAGEMENT OF ELECTRIC MOTOR POWER PTY LTD.

Description

Part Number M5-8081

Notes

