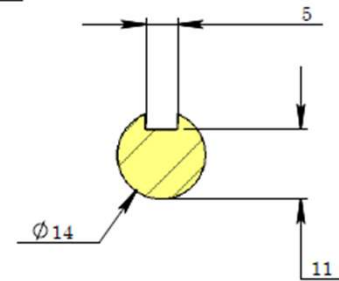
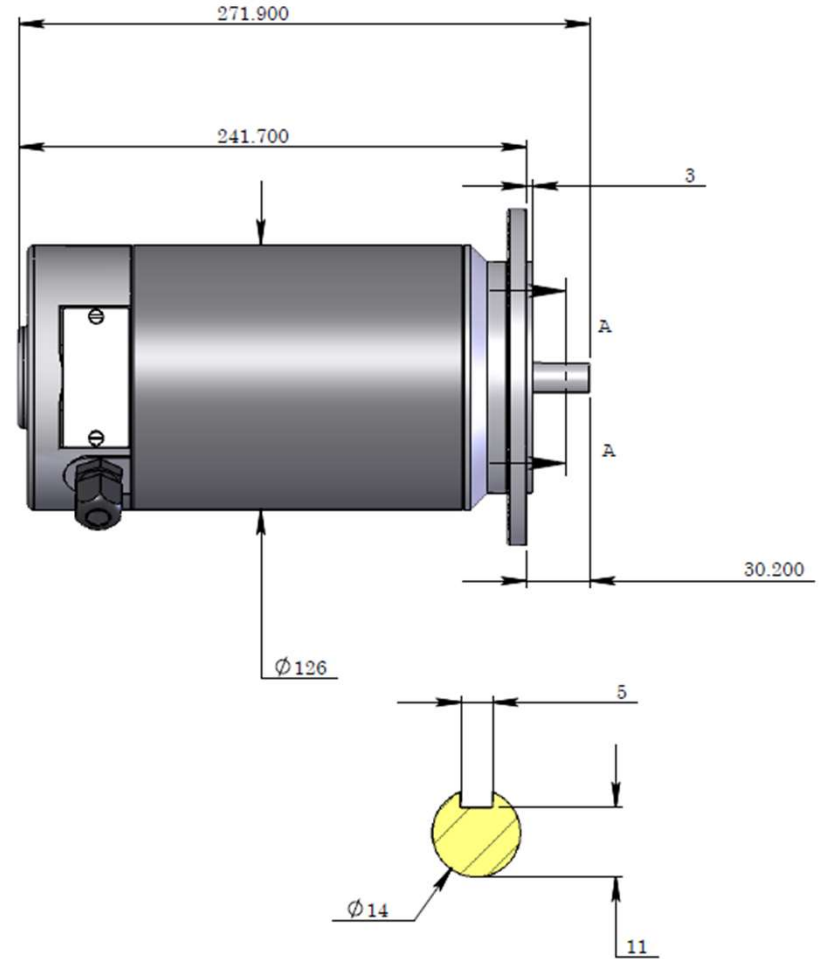
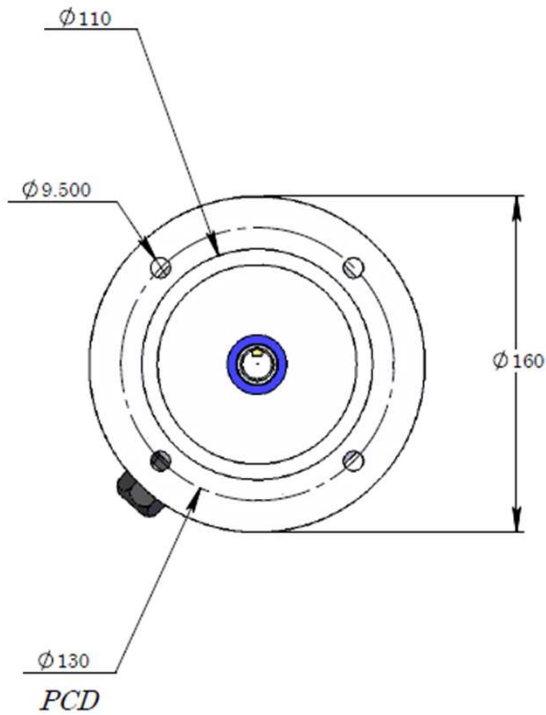


# M5-7171

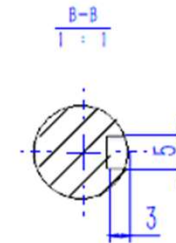
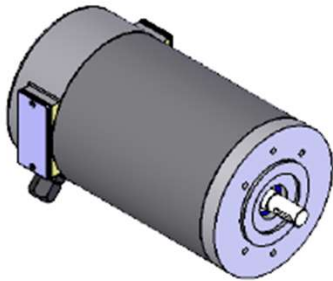
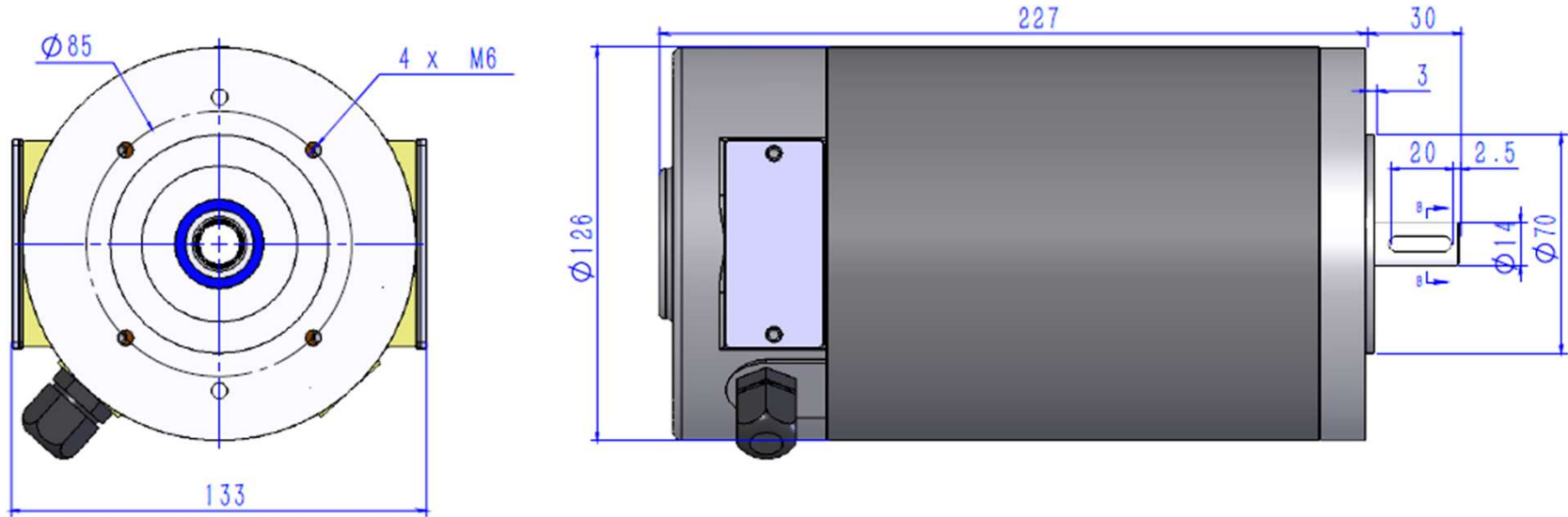


SECTION A-A



Description: M5 Brushed DC motor 14mm shaft with 5mm key slot; (130mm PCD) – D71B5	Drawing # M5-7171 Revision # 2
	Drawn By: Date:
Notes:	Approved By: C.Matheou Date: 17/07/2005
	Part Number: M5-7171

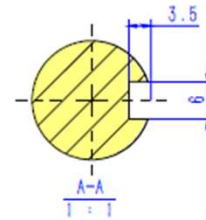
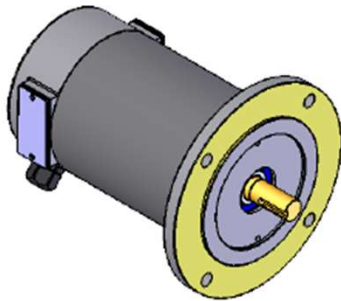
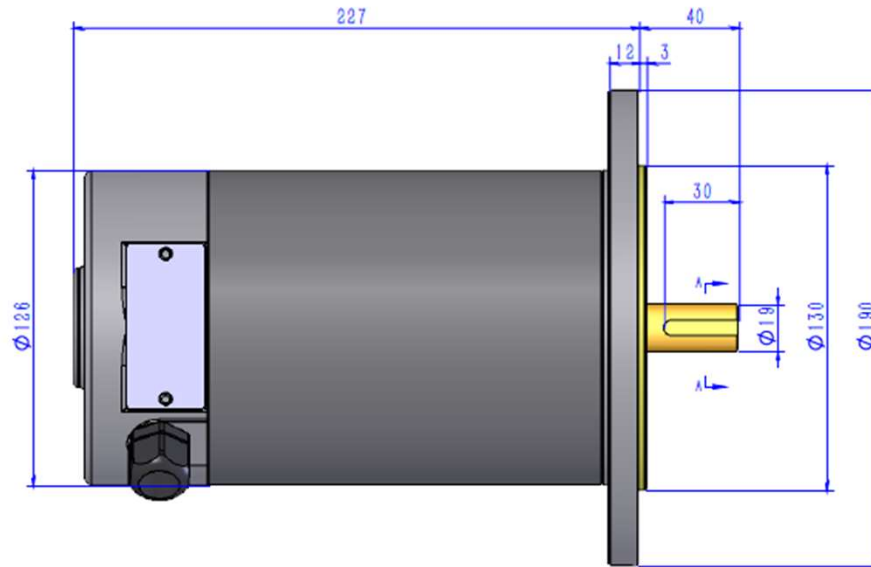
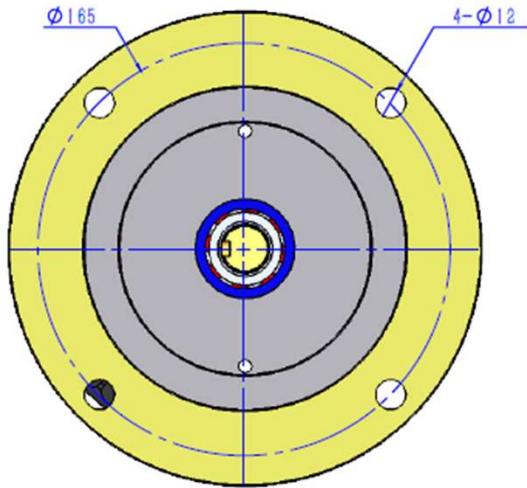
# M5-7172



Description: M5 Brushed DC motor 14mm shaft with 5mm key slot; (85mm PCD) – D71B14	Drawing # M5-7172 Revision # 3
	Drawn By: Date:
Notes:	Approved By: C.Matheou Date: 3/04/2019
	Part Number: M5-7172



# M5-8080



Description: M5 Brushed DC motor  
19mm shaft with 6mm key slot; (165mm PCD) – D80B5

Drawing # M5-8080  
Revision # 1

Drawn By: X.Yan  
Date:15/08/2019

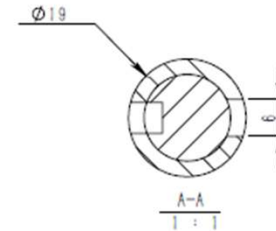
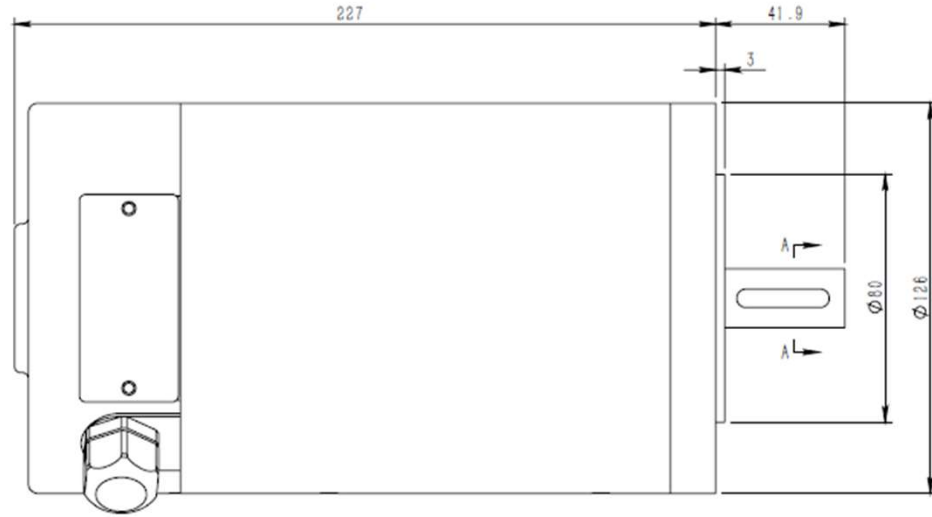
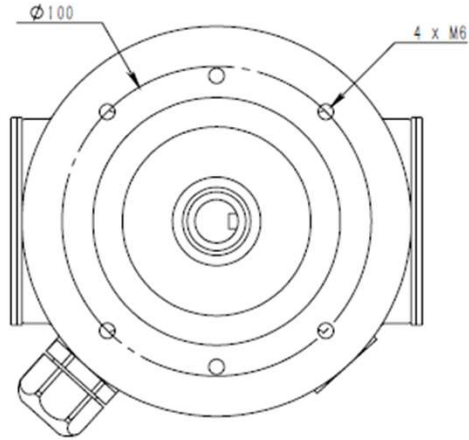
Notes:

Approved By: C.Matheou  
Date: 15/08/2019

Part Number: M5-8080



# M5-8081



Description: M5 Brushed DC motor 19mm shaft with 6mm key slot; (100mm PCD) – D80B14	Drawing # M5-8081 Revision # 1
	Drawn By: X.Yan Date: 21/01/2014
Notes:	Approved By: C.Matheou Date: 21/01/2014
	Part Number: M5-8081

