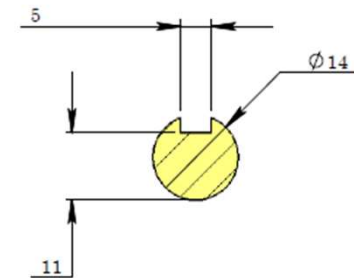
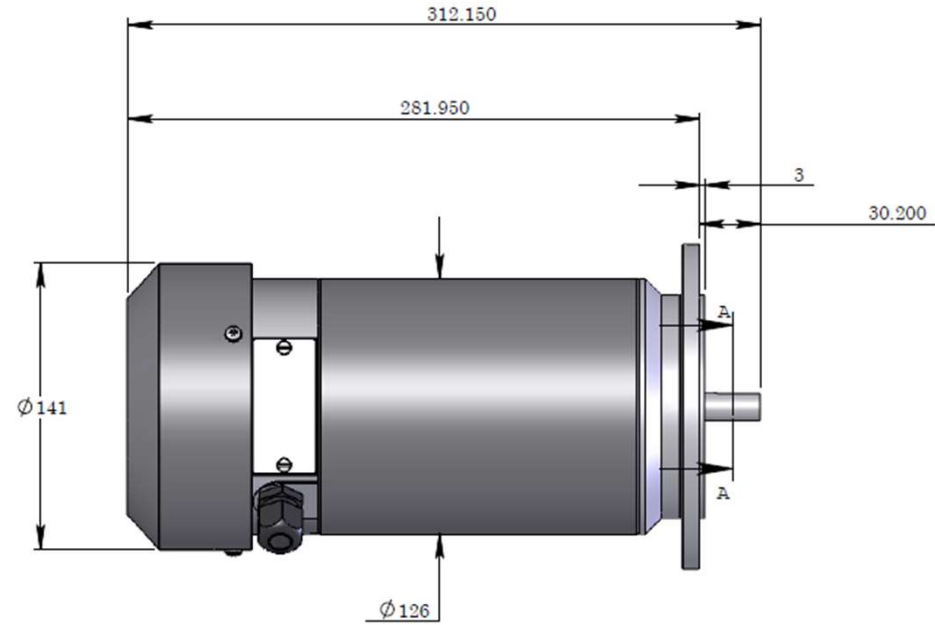
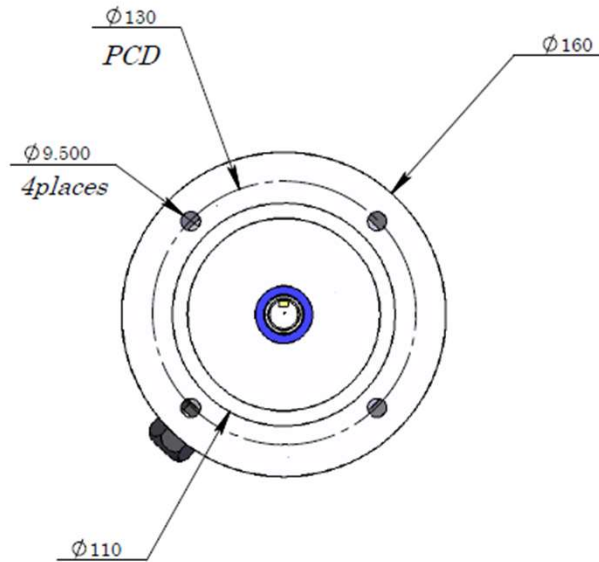


M5-7471N



SECTION A-A

Description: M5 Brushed DC motor
 14mm shaft with 5mm key slot; (130mm PCD) – D71B5 + Cooling Fan

Drawing # M5-7471N
 Revision # 2

Drawn By:
 Date:

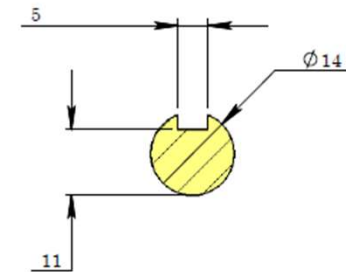
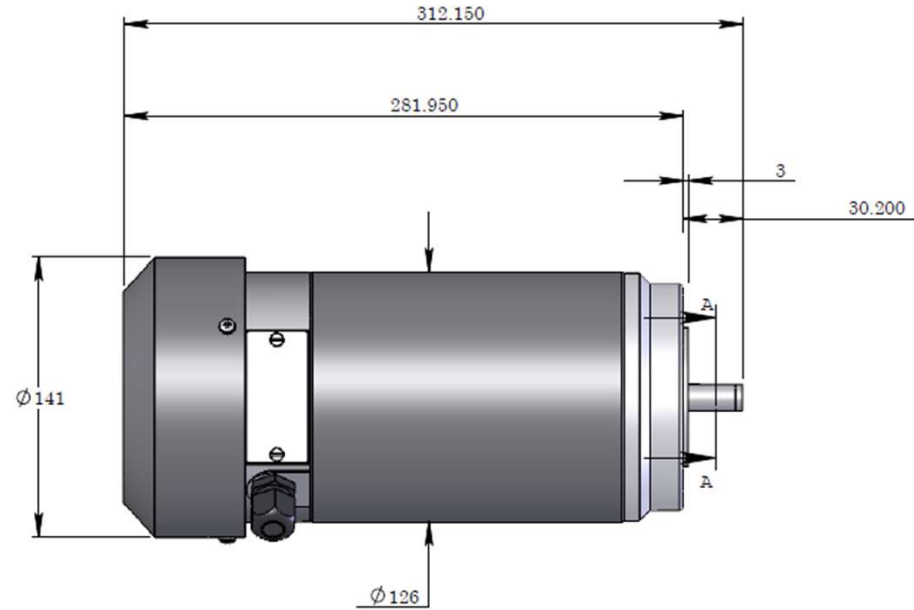
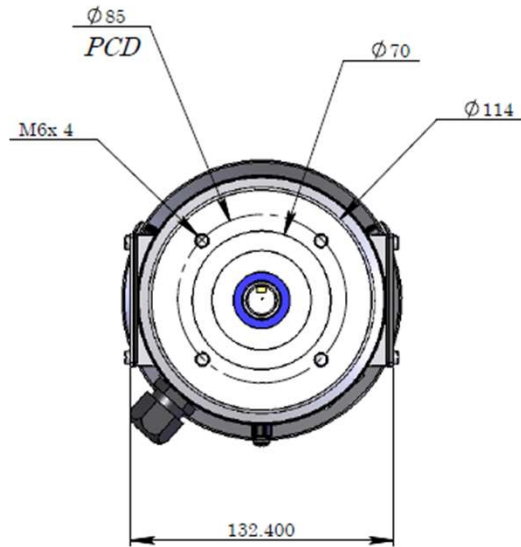
Notes:

Approved By: C.Matheou
 Date: 17/07/2005

Part Number: M5-7471N



M5-7472N

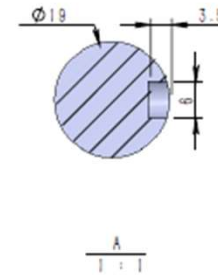
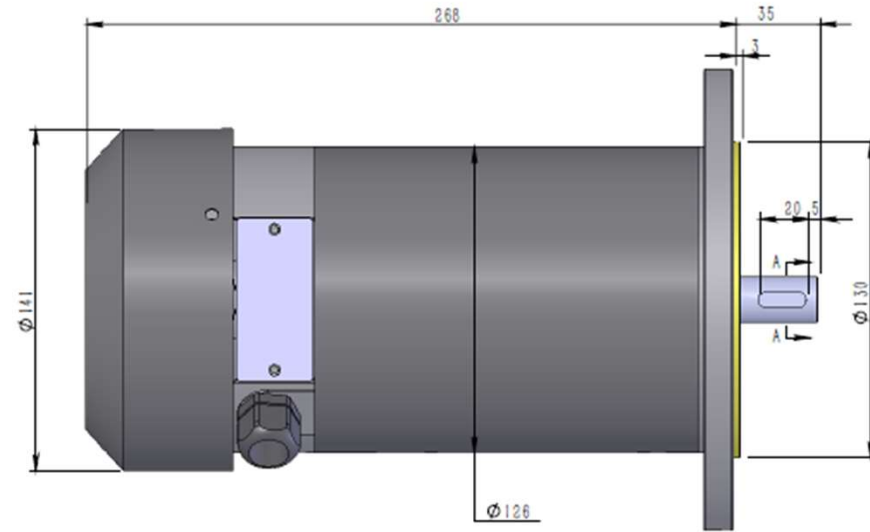
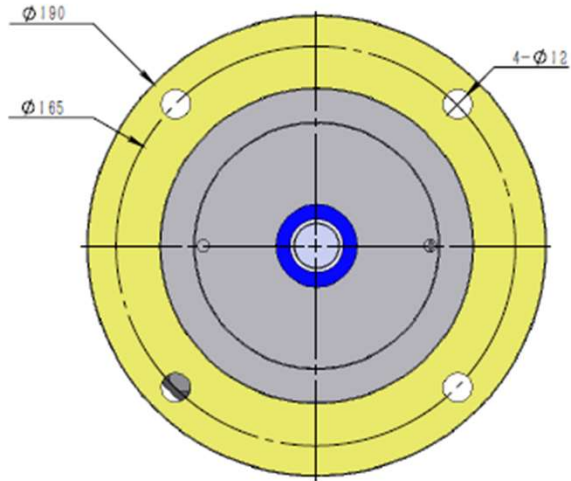


SECTION A-A

Description: M5 Brushed DC motor 14mm shaft with 5mm key slot; (85mm PCD) – D71B14 + Cooling Fan	Drawing # M5-7472N Revision # 1
	Drawn By: Date:
Notes:	Approved By: C.Matheou Date: 3/04/2019
	Part Number: M5-7472N



M5-8480N



Description: M5 Brushed DC motor
19mm shaft with 6mm key slot; (165mm PCD) – D80B5 + Cooling Fan

Drawing # M5-8480N
Revision # 1

Drawn By: X.Yan
Date:15/08/2019

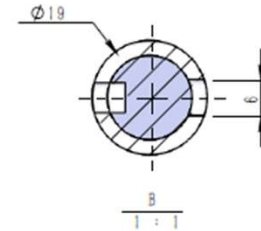
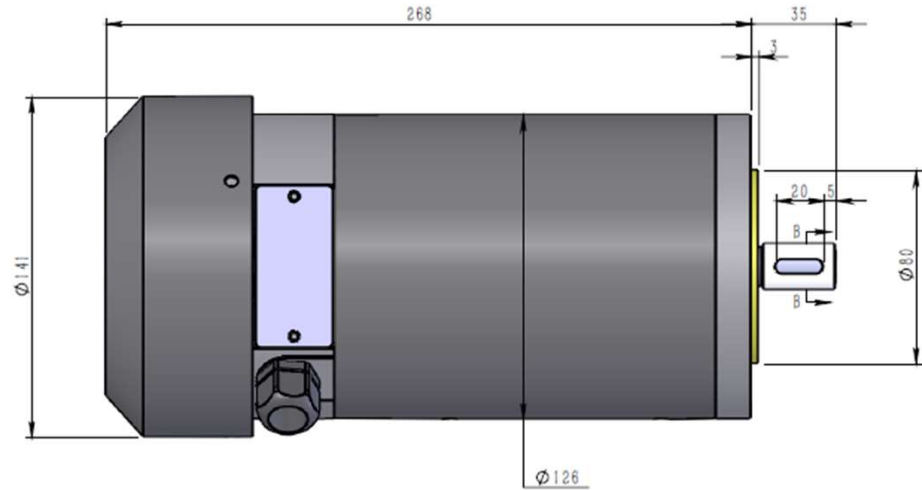
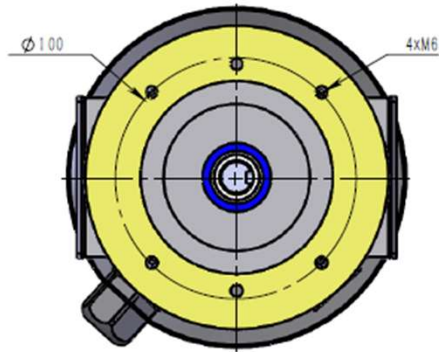
Notes:

Approved By: C.Matheou
Date: 15/08/2019

Part Number: M5-8480N

EMP
ELECTRIC MOTOR POWER

M5-8481N



Description: M5 Brushed DC motor
19mm shaft with 6mm key slot; (100mm PCD) – D80B14 + Cooling Fan

Drawing # M5-8481N
Revision # 1

Drawn By: X.Yan
Date: 21/01/2014

Approved By: C.Matheou
Date: 21/01/2014

Part Number: M5-8481N

Notes:

