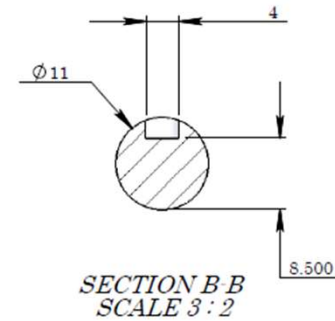
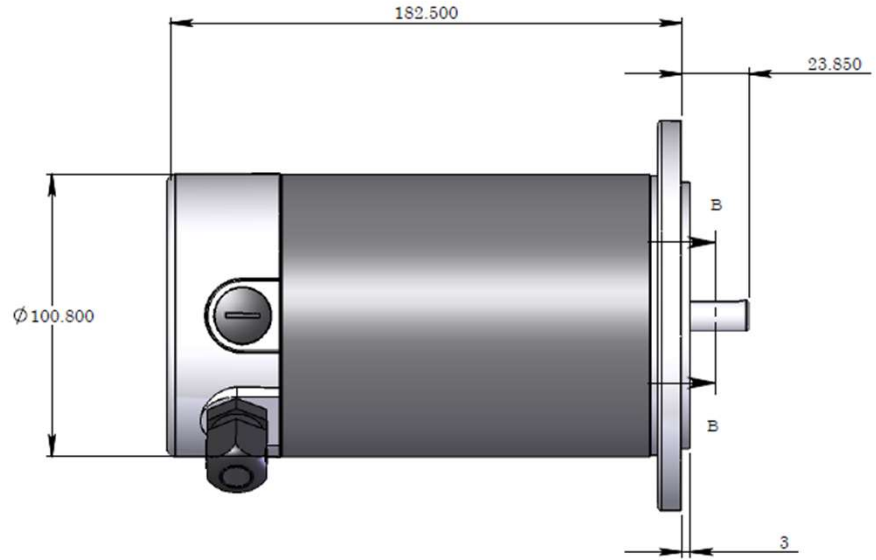
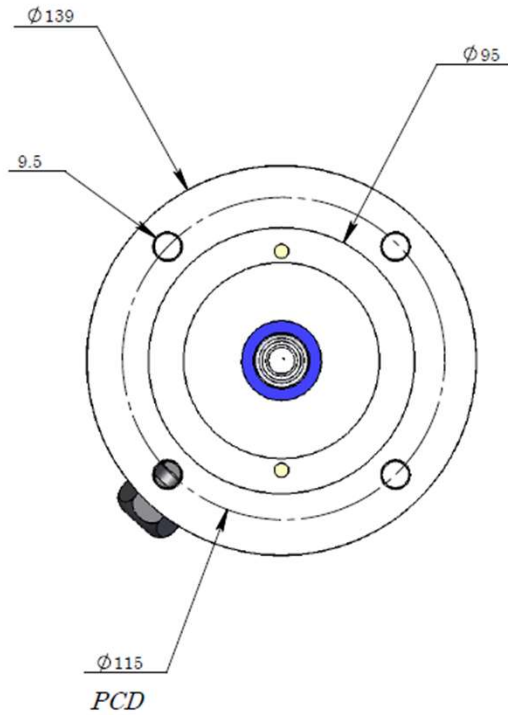


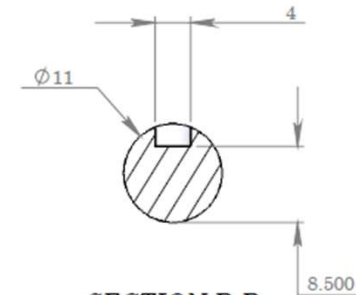
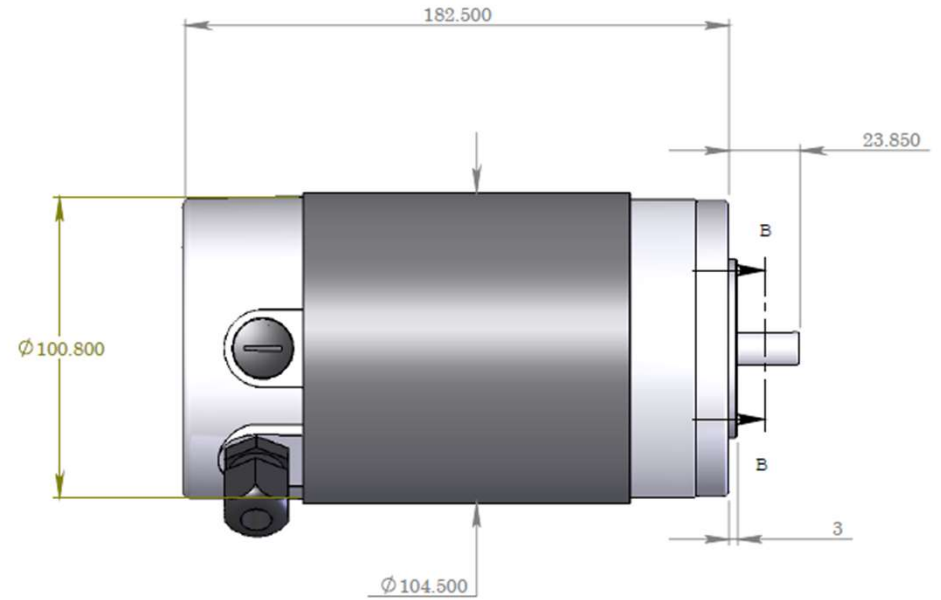
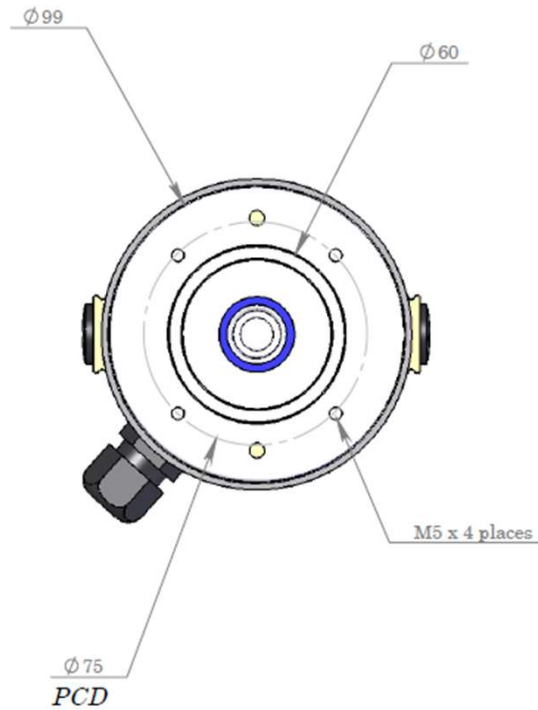
M3-6363



Description: M4 Brushed DC motor 11mm shaft with 4mm key slot; 140mm flange (115mm PCD) – D63B5	Drawing # M4-6363 Revision # 1
	Drawn By: Date:
Notes:	Approved By: C.Matheou Date: 08/07/2009
	Part Number: M4-6363



M4-6364

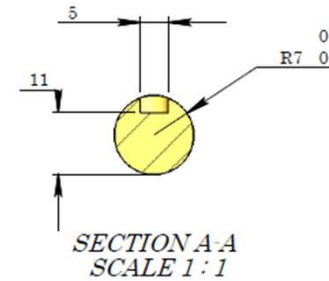
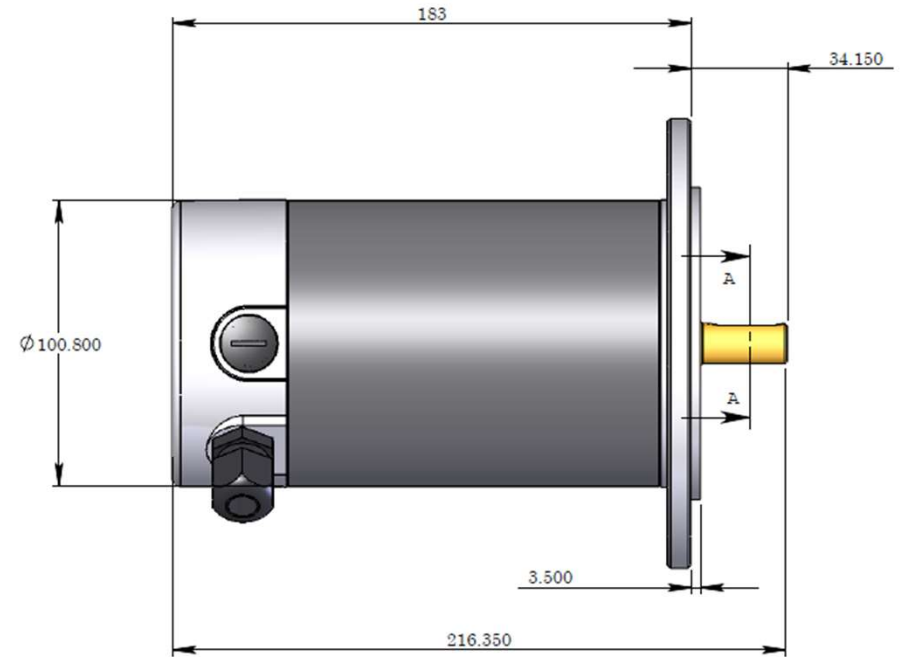
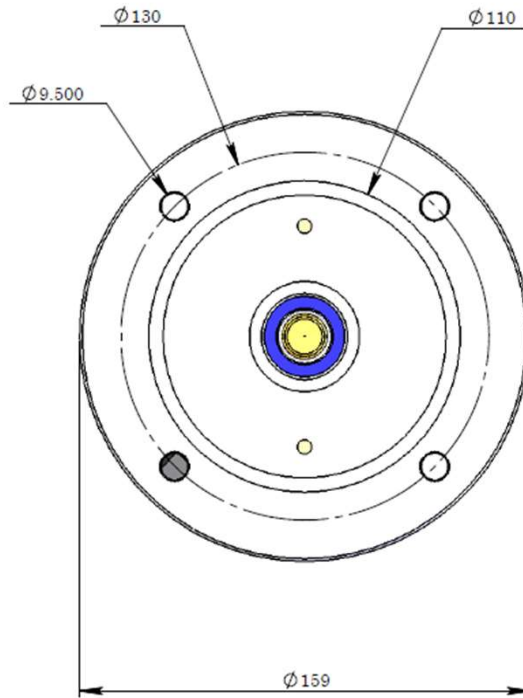


SECTION B B
SCALE 3 : 2

Description: M4 Brushed DC motor 11mm shaft with 4mm key slot; 90mm flange (75mm PCD) – D63B14	Drawing # M4-6364 Revision # 1
	Drawn By: Date:
Notes:	Approved By: C.Matheou Date: 08/07/2009
	Part Number: M4-6364



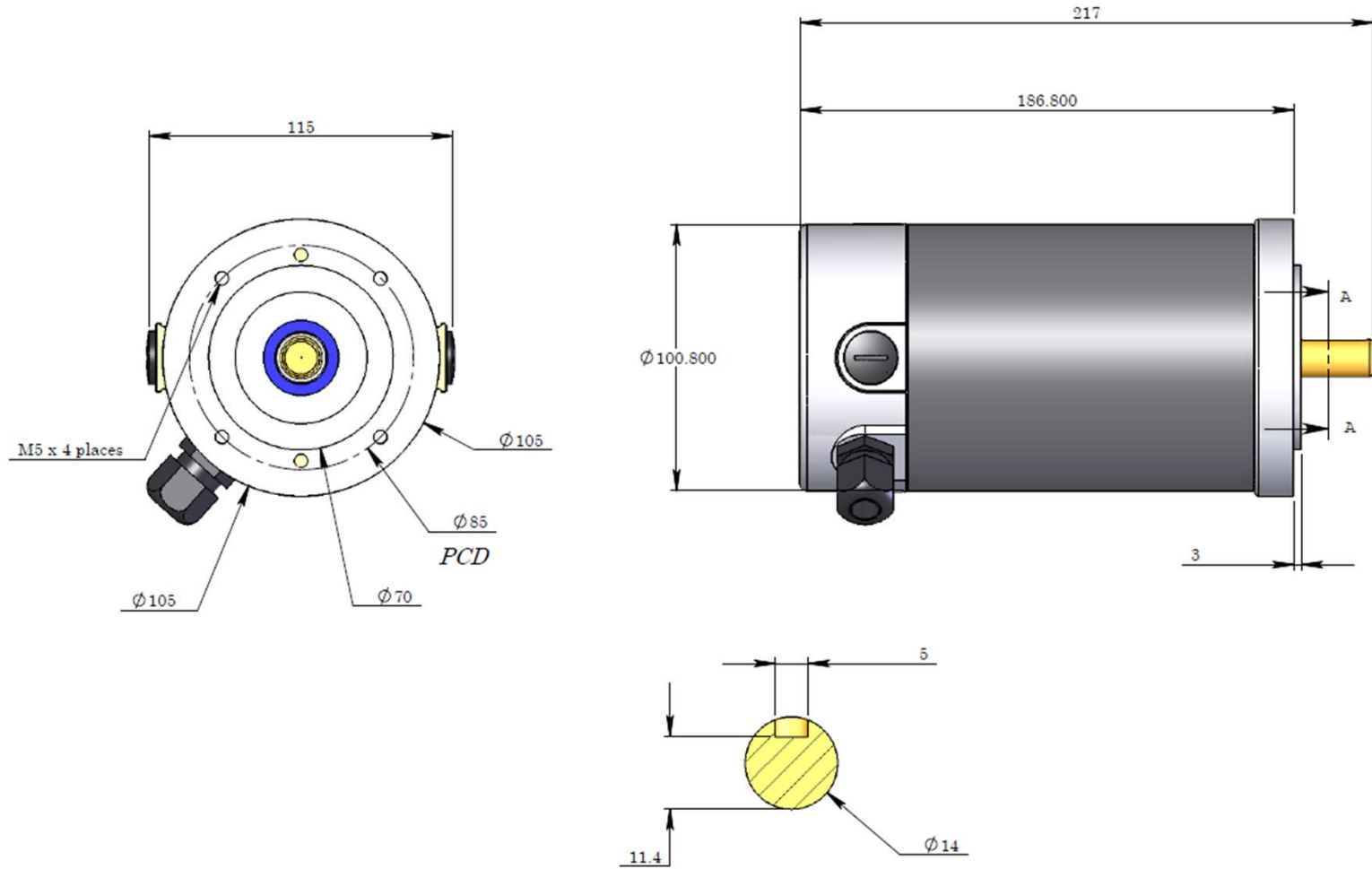
M4-7171



Description: M4 Brushed DC motor 14mm shaft with 5mm key slot; 160mm flange (130mm PCD) – D71B5	Drawing # M4-7171 Revision # 1
	Drawn By: Date:
Notes:	Approved By: C.Matheou Date: 14/07/2005
	Part Number: M4-7171



M4-7172



SECTION A-A
SCALE 2.5 : 2

Description: M4 Brushed DC motor 14mm shaft with 5mm key slot; 105mm flange (85mm PCD) – D71B14	Drawing # M4-7172 Revision # 1
	Drawn By: Date:
Notes:	Approved By: C.Matheou Date: 14/07/2005
	Part Number: M4-7172

