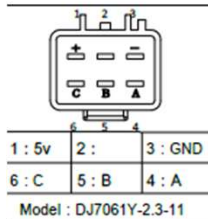
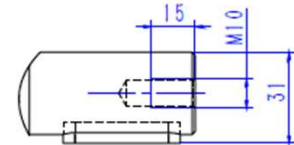
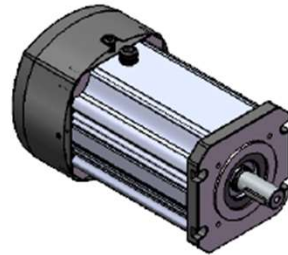
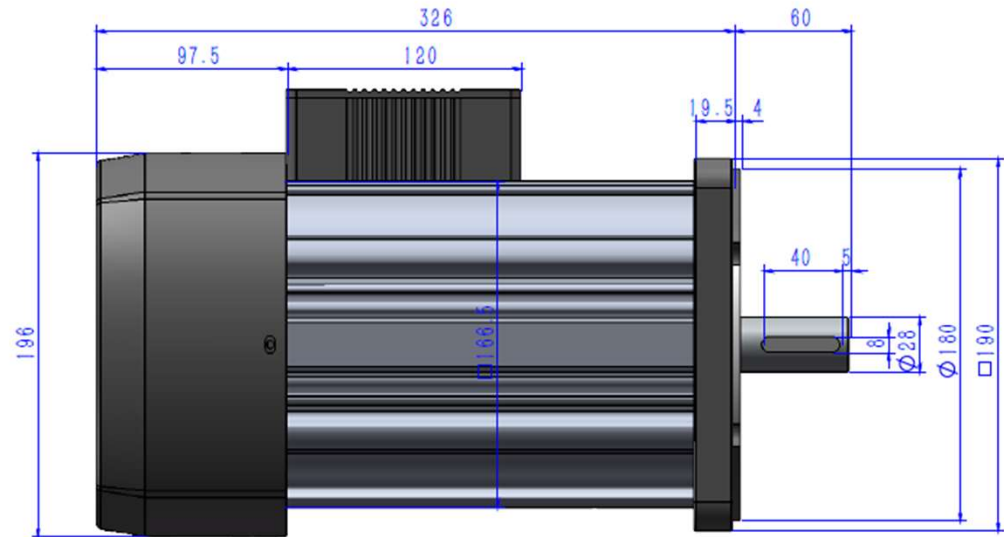
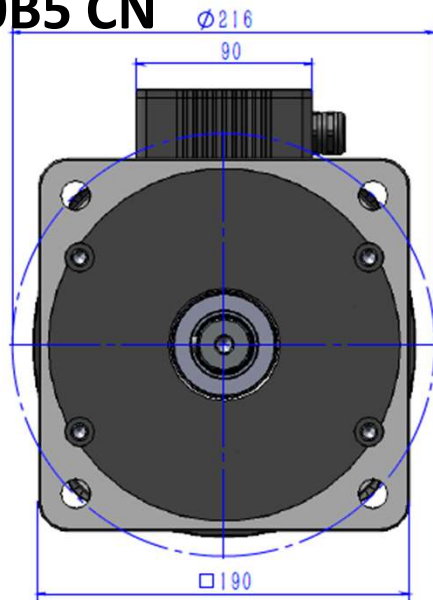


# M154S D100B5 CN



<b>Description:</b> M154 Brushless DC Motor (Short Housing) with 28mm shaft & 8mm key slot and 215mm PCD flange (D100B5) + Connection Box + Cooling Fan	<b>Drawing #</b> M154S D100B5 CN <b>Revision #</b> 1
	<b>Drawn By:</b> X.Yan <b>Date:</b> 17/04/2020
<b>Notes:</b> To suit M154A, M154B, M154C, M154D range of motors (Max rating IP54 for Fan Cooled units)	<b>Approved By:</b> C.Matheou <b>Date:</b> 17/04/2020
	<b>Part Number:</b> M154S D100B5CN



# M154S D100B14 CN

<b>Description:</b> M154 Brushless DC Motor (Short Housing) with 28mm shaft & 8mm key slot and 130mm PCD flange (D100B14) + Connection Box	<b>Drawing #</b> M154S D100B14 CN <b>Revision #</b> 1
	<b>Drawn By:</b> X.Yan <b>Date:</b> 17/04/2020
<b>Notes:</b> To suit M154A, M154B, M154C, M154D range of motors (Max rating IP54 for Fan Cooled units)	<b>Approved By:</b> C.Matheou <b>Date:</b> 17/04/2020
	<b>Part Number:</b> M154S D100B14CN

