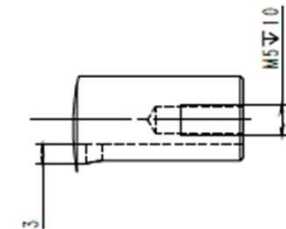
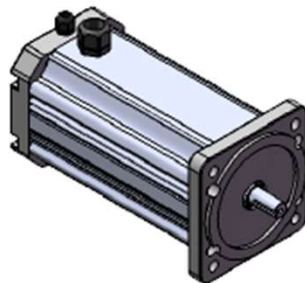
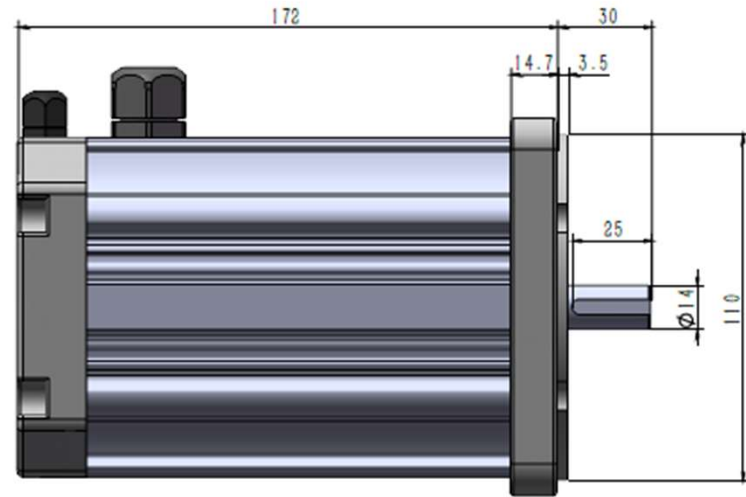
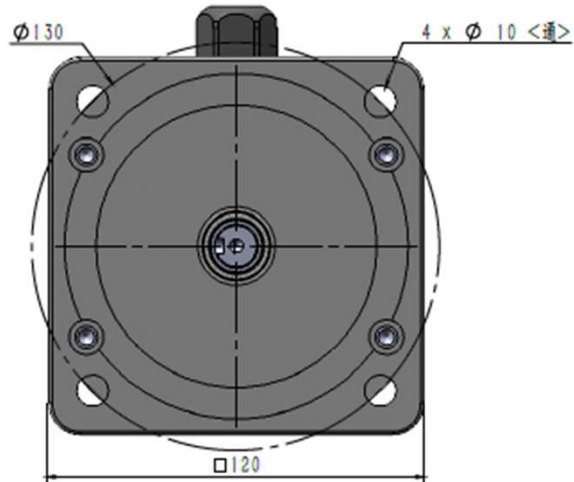


M099S D71B5



Description: M099 BLDC Motor (Short Housing) with 14mm shaft and 5mm key slot and D71B5 flange (130mm PCD)

Drawing # M099S D71B5
Revision # 1

Drawn By: X.Yan
Date: 13/09/2022

Approved By: C.Matheou
Date: 13/09/2022

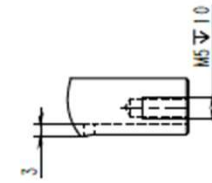
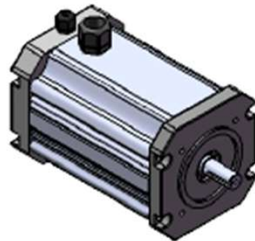
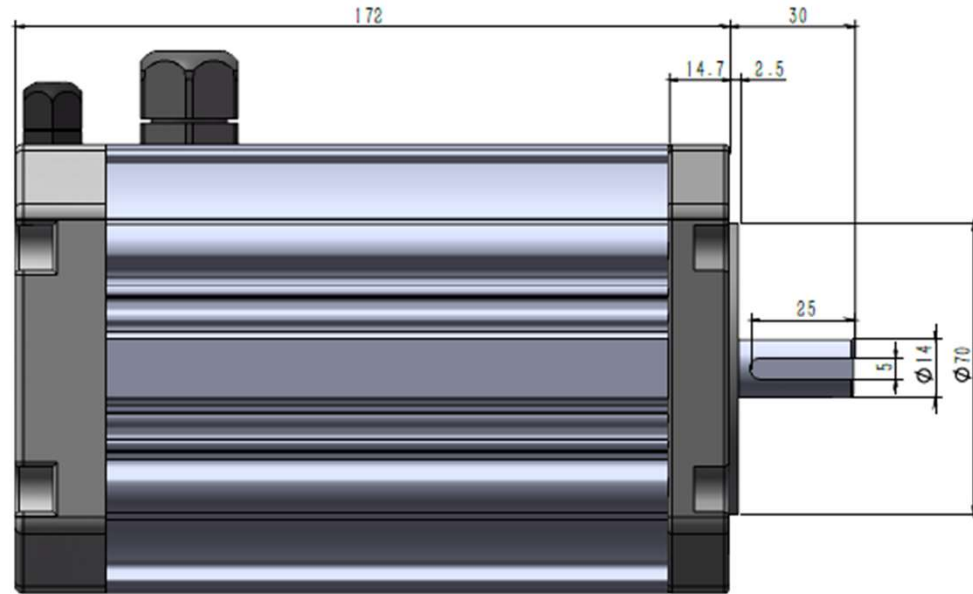
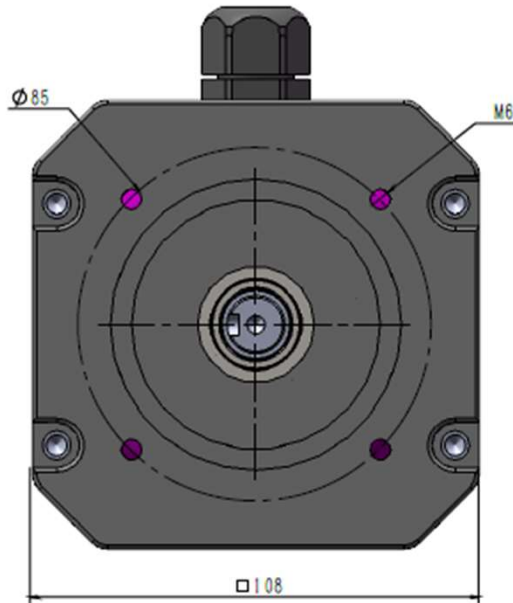
Part Number: M099S D71B5

Notes:

To suit M099A; M099B and M099C motors
To suit Size 40 & Size 50 right-angle D71B5 gearbox
Flange modification required to suit WPL060 & WPL080 planetary gearbox



M099S D71B14



Description: M099 BLDC Motor (Short Housing) with 14mm shaft and 5mm key slot and D71B14 flange (85mm PCD)	Drawing # M099S D71B14 Revision # 1
	Drawn By: X.Yan Date: 13/09/2022
Notes: To suit M099A; M099B and M099C motors To suit Size 40 & Size 50 right-angle D71B5 gearbox Flange modification required to suit WPL060 & WPL080 planetary gearbox	Approved By: C.Matheou Date: 13/09/2022
	Part Number: M099S D71B14

