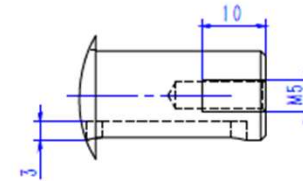
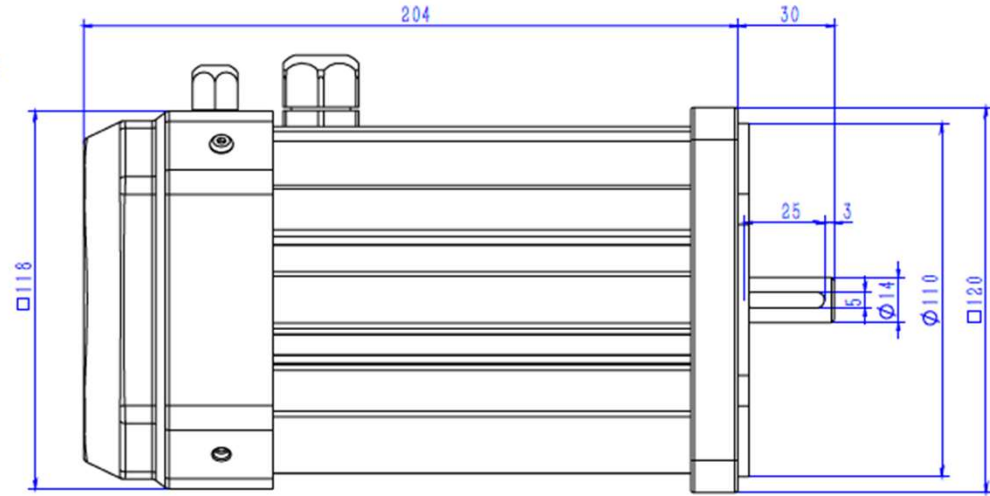
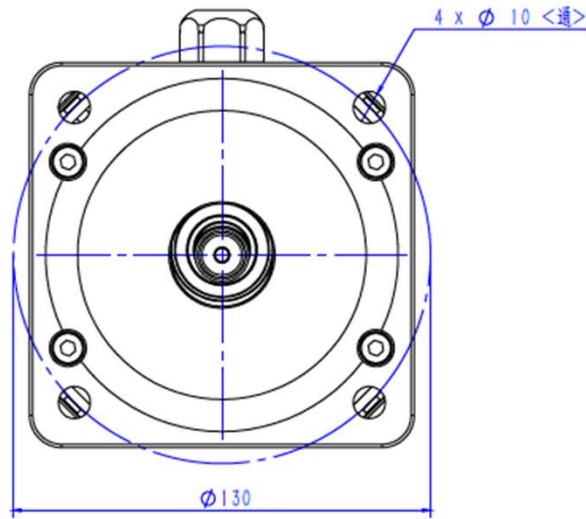


M099S D71B5 N



1	2	3
⏏	⏏	⏏
6	5	4
1 : 5v	2 :	3 : GND
6 : C	5 : B	4 : A
Model : DJ7061Y-2.3-11		

Description: M099 BLDC Motor (Short Housing) with 14mm shaft and 5mm key slot and D71B5 flange (130mm PCD) with Cooling Fan

Drawing # M099S D71B5 N
Revision # 1

Drawn By: X.Yan
Date: 13/09/2022

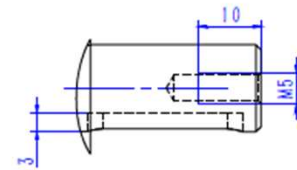
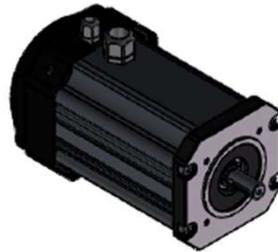
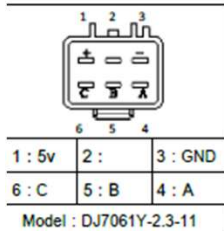
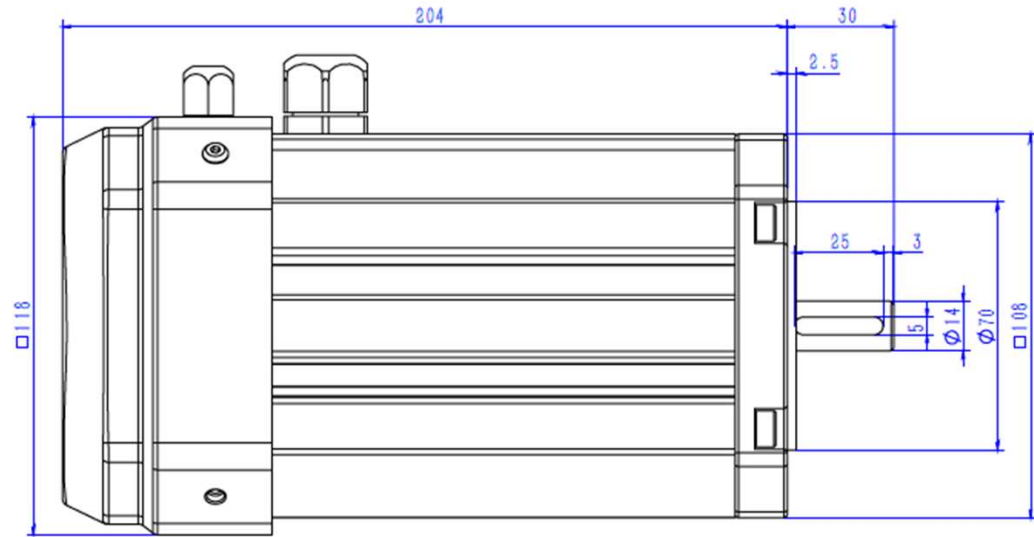
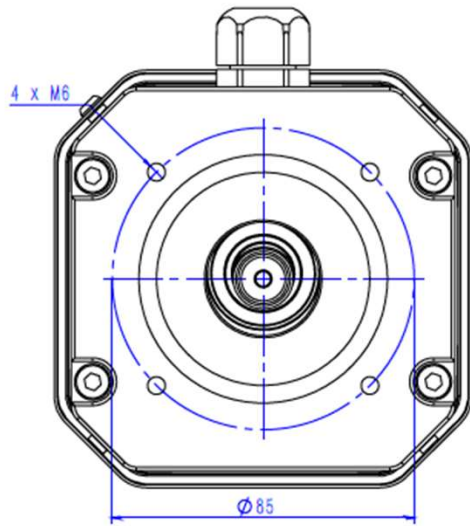
Approved By: C.Matheou
Date: 13/09/2022

Part Number: M099S D71B5 N

Notes: Max rating IP54 on Fan Cooled motors
To suit M099A; M099B and M099C motors
To suit Size 40 & Size 50 right-angle D71B5 gearbox
Flange modification required to suit WPL060 & WPL080 planetary gearbox



M099S D71B14 N



Description: M099 BLDC Motor (Short Housing) with 14mm shaft and 5mm key slot and D71B14 flange (85mm PCD) with Cooling Fan

Drawing # M099S D71B14 N
Revision # 1

Drawn By: X.Yan
Date: 13/09/2022

Notes: Max rating IP54 on Fan Cooled motors
To suit M099A; M099B and M099C motors
To suit Size 40 & Size 50 right-angle D71B5 gearbox
Flange modification required to suit WPL060 & WPL080 planetary gearbox

Approved By: C.Matheou
Date: 13/09/2022

Part Number: M099S D71B14 N

