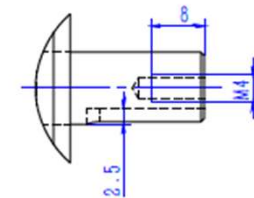
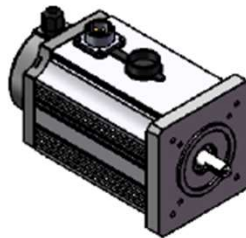
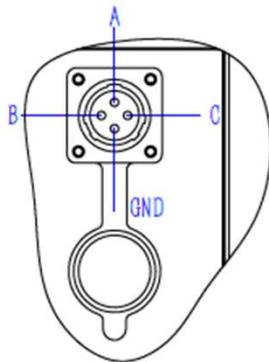
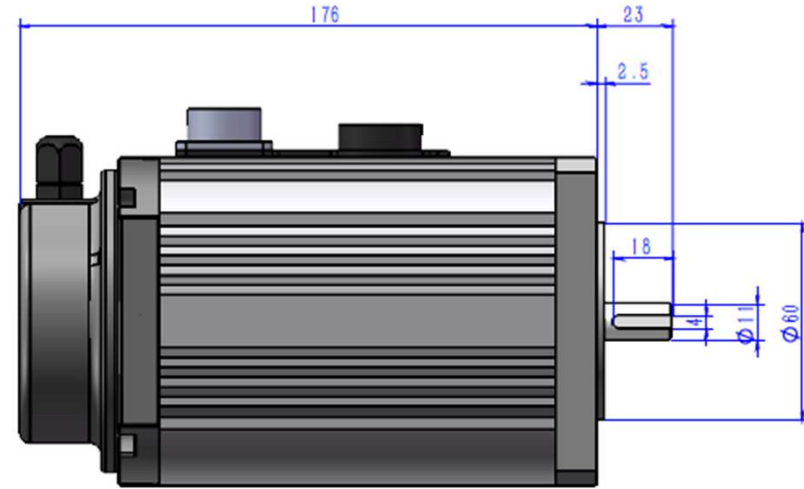
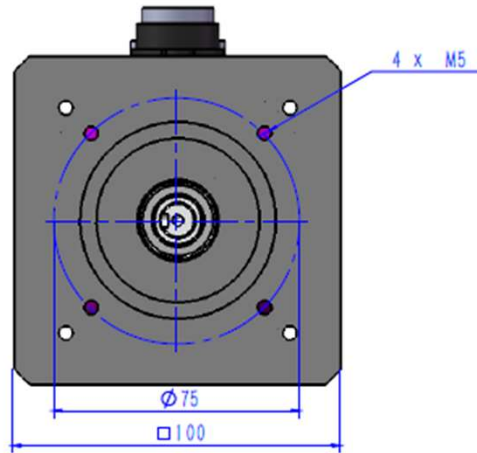


M090S D63B14



Description: M090 Brushless motor (Short Housing) with 11mm shaft and 4mm key slot + D63B14 flange (75mm PCD)

Drawing # M090S D63B14
Revision # 1

Drawn By: X.Yan
Date: 09/05/2019

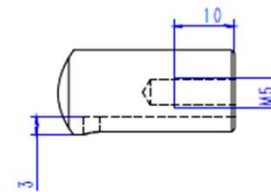
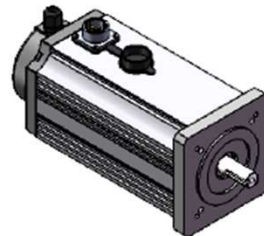
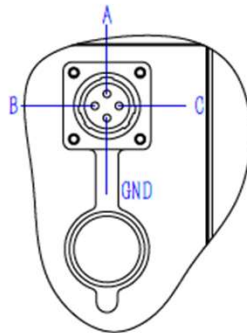
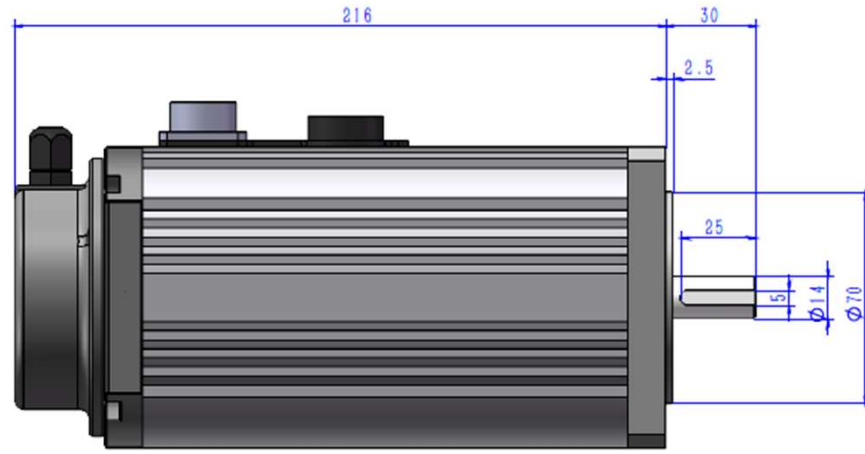
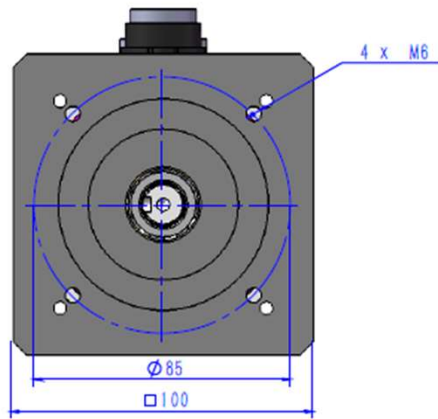
Notes: To suit M090S motors.
 To suit Size 30 & Size 40 (D63B14) Right-Angle gearbox
 Flange modification to suit WPL060 & WPL080 planetary gearbox

Approved By: C.Matheou
Date: 09/05/2019

Part Number: M090S D63B14



M090M D71B14



Description: M090 Brushless motor (Medium Housing) with 14mm shaft and 5mm key slot + D71B14 flange (85mm PCD)

Drawing # M090M D71B14
Revision # 1

Drawn By: X.Yan
Date: 09/05/2019

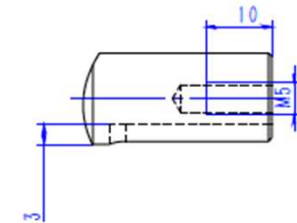
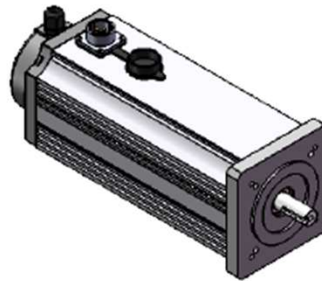
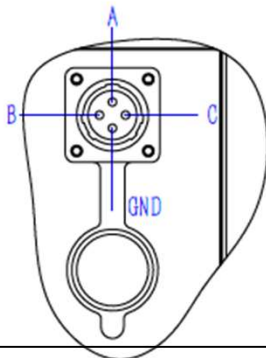
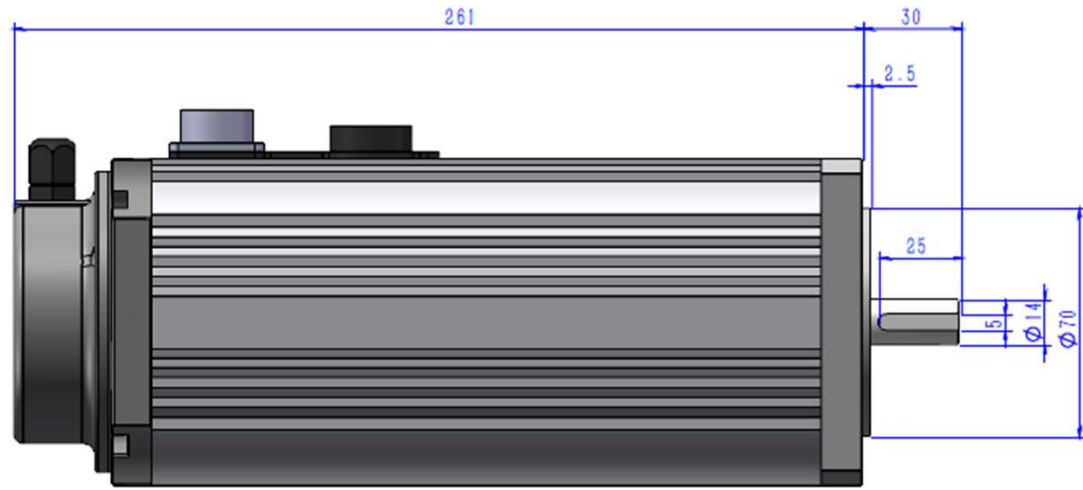
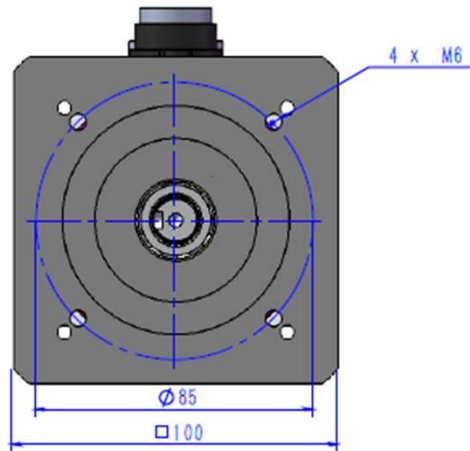
Notes: To suit M090M motors.
 To suit Size 40 & Size 50 (D71B14) Right-Angle gearbox
 Flange modification to suit WPL060 & WPL080 planetary gearbox

Approved By: C.Matheou
Date: 09/05/2019

Part Number: M090M D71B14



M090L D71B14



Description: M090 Brushless motor (Long Housing) with 14mm shaft and 5mm key slot + D71B14 flange (85mm PCD)

Drawing # M090L D71B14
Revision # 1

Drawn By: X.Yan
Date: 09/05/2019

Approved By: C.Matheou
Date: 09/05/2019

Part Number: M090L D71B14

Notes: To suit M090L motors.
To suit Size 40 & Size 50 (D71B14) Right-Angle gearbox
Flange modification to suit WPL060 & WPL080 planetary gearbox

