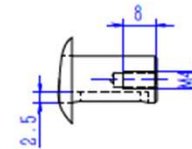
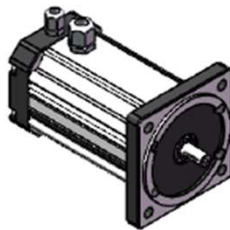
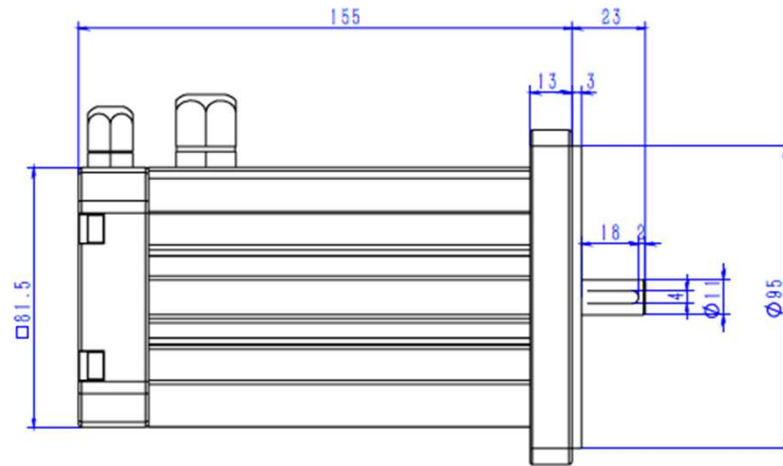
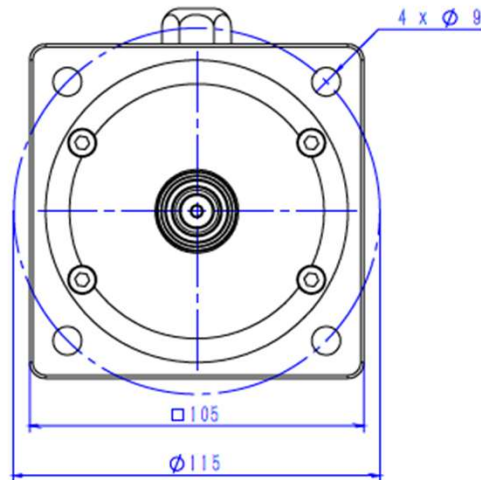


M077S D63B5



Description: M077 Brushless DC motor (Short Housing) with 11mm shaft and 4mm key slot and D63B5 flange (115mm PCD)

Drawing # M077S D63B5
Revision # 1

Drawn By: X.Yan
Date: 17/04/2020

Approved By: C.Matheou
Date: 17/04/2020

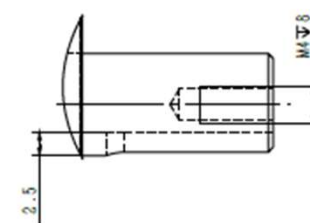
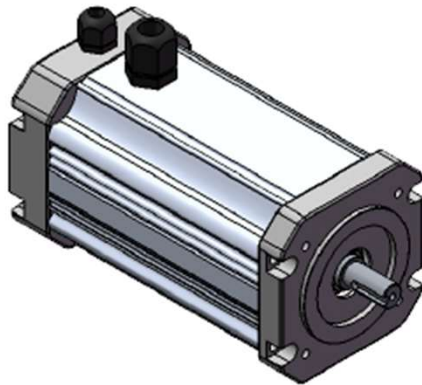
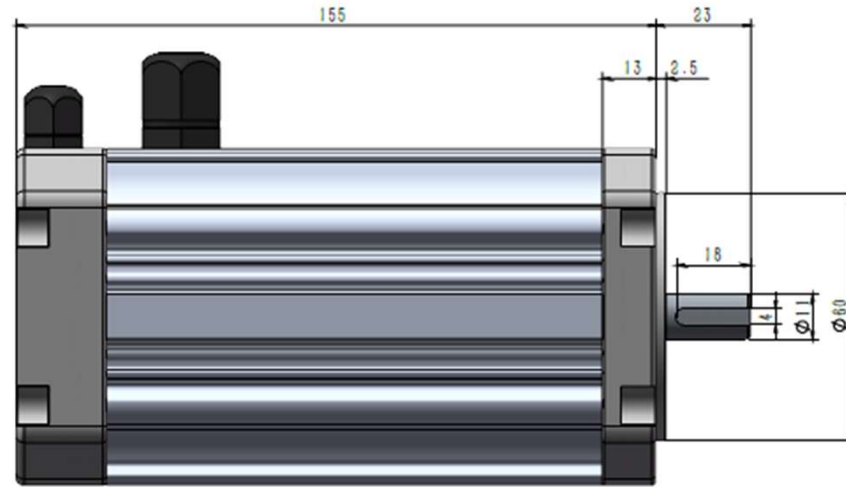
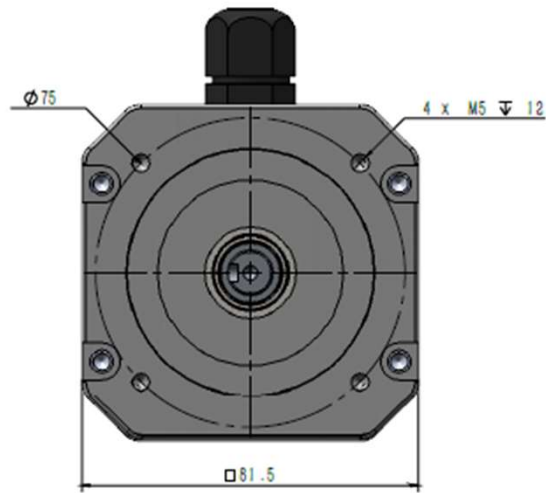
Part Number: M077S D63B5

Notes:

To suit M077A; M077B and M077C motors
To suit Size 30 & Size 40 right-angle D63B5 gearbox
Flange modification required to suit WPL060 & WPL080 planetary gearbox



M077S D63B14



Description: M077 Brushless DC motor (Short Housing) with 11mm shaft and 4mm key slot and D63B14 flange (75mm PCD)

Drawing # M077S D63B14
Revision # 1

Drawn By: X.Yan
Date: 17/04/2020

Approved By: C.Matheou
Date: 17/04/2020

Part Number: M077S D63B14

Notes:

To suit M077A; M077B and M077C motors
To suit Size 30 & Size 40 right-angle D63B14 gearbox
Flange modification required to suit WPL060 & WPL080 planetary gearbox

