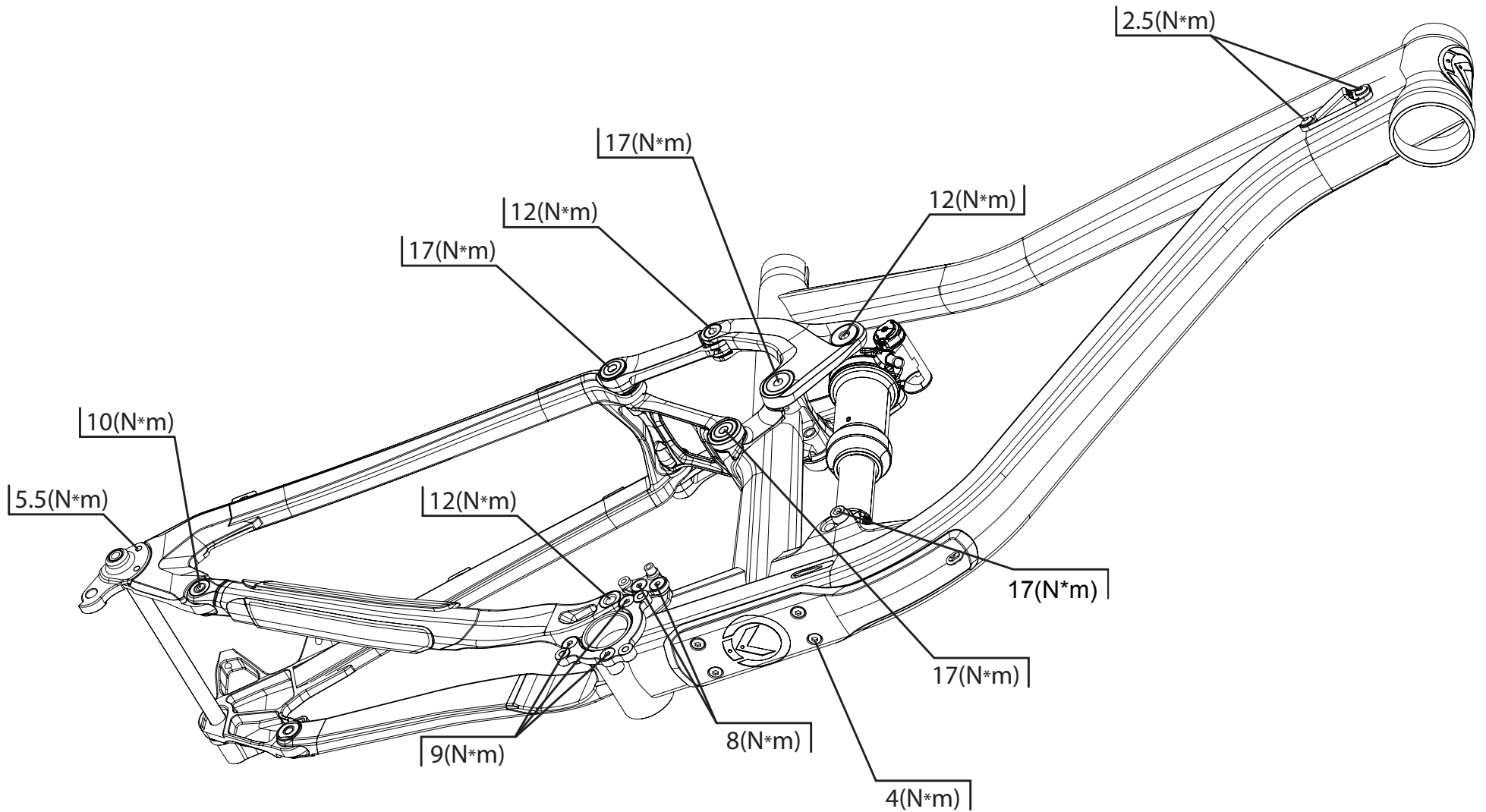
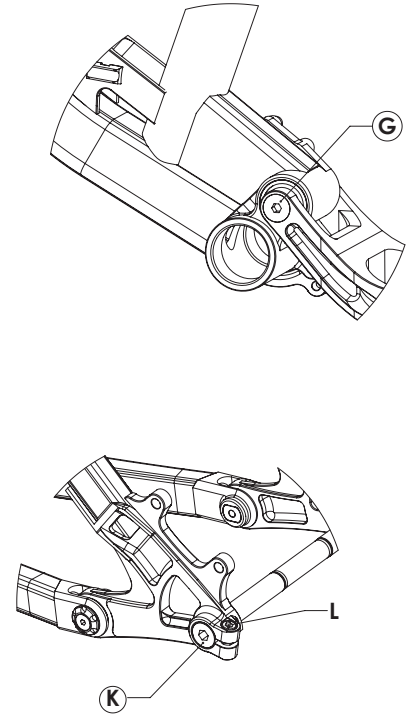
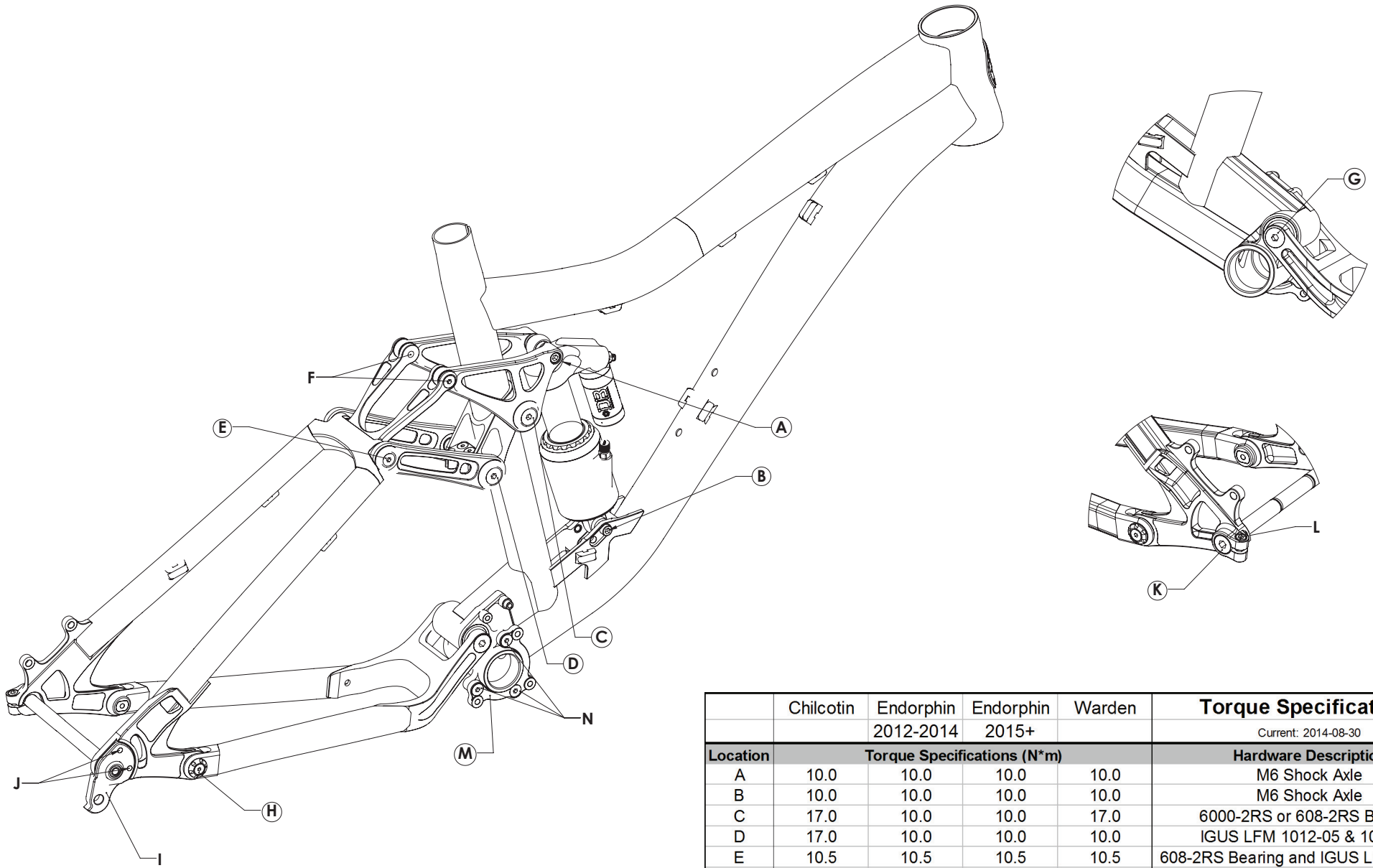


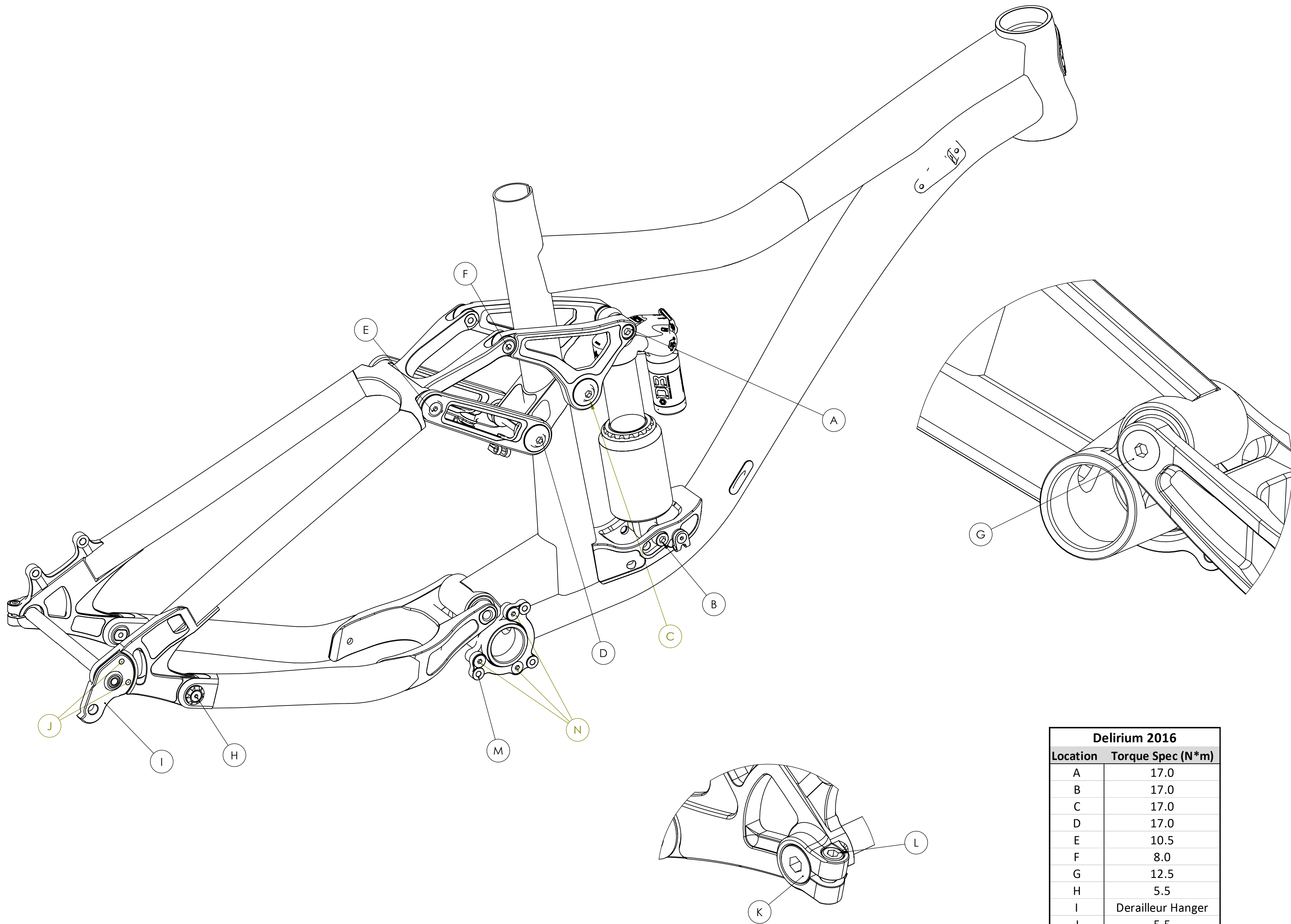


Gen 5+6 (2019-Current) Torque Specs

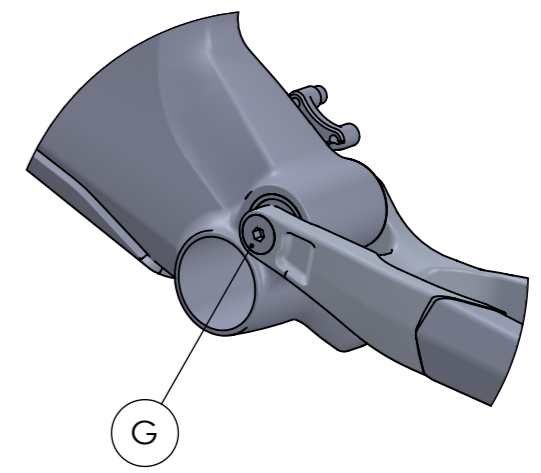




	Chilcotin	Endorphin 2012-2014	Endorphin 2015+	Warden	Torque Specifications
					Current: 2014-08-30
Location	Torque Specifications (N*m)				Hardware Description
A	10.0	10.0	10.0	10.0	M6 Shock Axle
B	10.0	10.0	10.0	10.0	M6 Shock Axle
C	17.0	10.0	10.0	17.0	6000-2RS or 608-2RS Bearing
D	17.0	10.0	10.0	10.0	IGUS LFM 1012-05 & 1012-06
E	10.5	10.5	10.5	10.5	608-2RS Bearing and IGUS LFM 1012-17
F	5.5	5.5	8.0	8.0	
G	12.5	12.5	12.5	12.5	3001-2RS Bearing
H	5.5	5.5	5.5	5.5	608-2RS Bearing
I					Derailleur Hanger (X12)
J	5.5	5.5	5.5	5.5	
K	8 to 12	8 to 12	8 to 12	8 to 12	Rear 142 x 12m Thru-Axle
L	5.5	5.5	5.5	5.5	
M					ISCG05 Tabs
N	9.0	9.0	9.0	9.0	



Delirium 2016	
Location	Torque Spec (N*m)
A	17.0
B	17.0
C	17.0
D	17.0
E	10.5
F	8.0
G	12.5
H	5.5
I	Derailleur Hanger
J	5.5
K	8 to 12
L	5.5
M	ISCG05 Tabs
N	9.0



Warden Carbon MY2016+		Torque Specifications
Location	Torque Spec (N*m)	Hardware Description
A	17.0	M8 Upper Shock Bolt
B	10.0	M6 Lower Shock Bolt
C	17.0	6000-2RS Bearing
D	10.0	6900-2RS Bearing
E	10.0	6900-2RS Bearing & igus LMF1012-05
F	8.0	igus LMF1012-05
G	12.5	3001-2RS Bearing
H	5.5	608-2RS Bearing
J	5.5	
K	8.0	
L	5.0	
M	2.5	